



US00D986469S

(12) **United States Design Patent** (10) **Patent No.:** **US D986,469 S**
Rocha et al. (45) **Date of Patent:** **** May 16, 2023**

(54) **LIGHTING FIXTURE**

(71) Applicant: **Wangs Alliance Corporation**, Port Washington, NY (US)

(72) Inventors: **Adrian Rocha**, Azusa, CA (US);
Robert De'Armond, Jr., Temecula, CA (US)

(73) Assignee: **WANGS ALLIANCE CORPORATION**, Port Washington, NY (US)

(**) Term: **15 Years**

(21) Appl. No.: **29/868,686**

(22) Filed: **Dec. 12, 2022**

(51) **LOC (14) Cl.** **26-05**

(52) **U.S. Cl.**
USPC **D26/145**

(58) **Field of Classification Search**
USPC D26/80-92, 143-145
CPC F21S 8/04; F21S 8/043; F21S 8/046; F21S 8/06; F21S 8/061; F21S 8/063; F21S 8/065; F21S 8/066; F21S 8/068
See application file for complete search history.

(56) **References Cited**

U.S. PATENT DOCUMENTS

D295,329 S 4/1988 Roos
D381,734 S 7/1997 Murphy
D438,664 S * 3/2001 Lewis D26/86
(Continued)

OTHER PUBLICATIONS

Kelly Wearstler, Phobos Medium Chandelier. First available unknown. Searched Feb. 16, 2023. [<https://www.kellywearstler.com/chandeliers/phobos-medium-chandelier/700PHB24.html>] (Year: 2023).*

(Continued)

Primary Examiner — W. A. Teddy Falloway

Assistant Examiner — Melissa A Santos

(74) *Attorney, Agent, or Firm* — Heslin Rothenberg Farley & Mesiti P.C.

(57) **CLAIM**

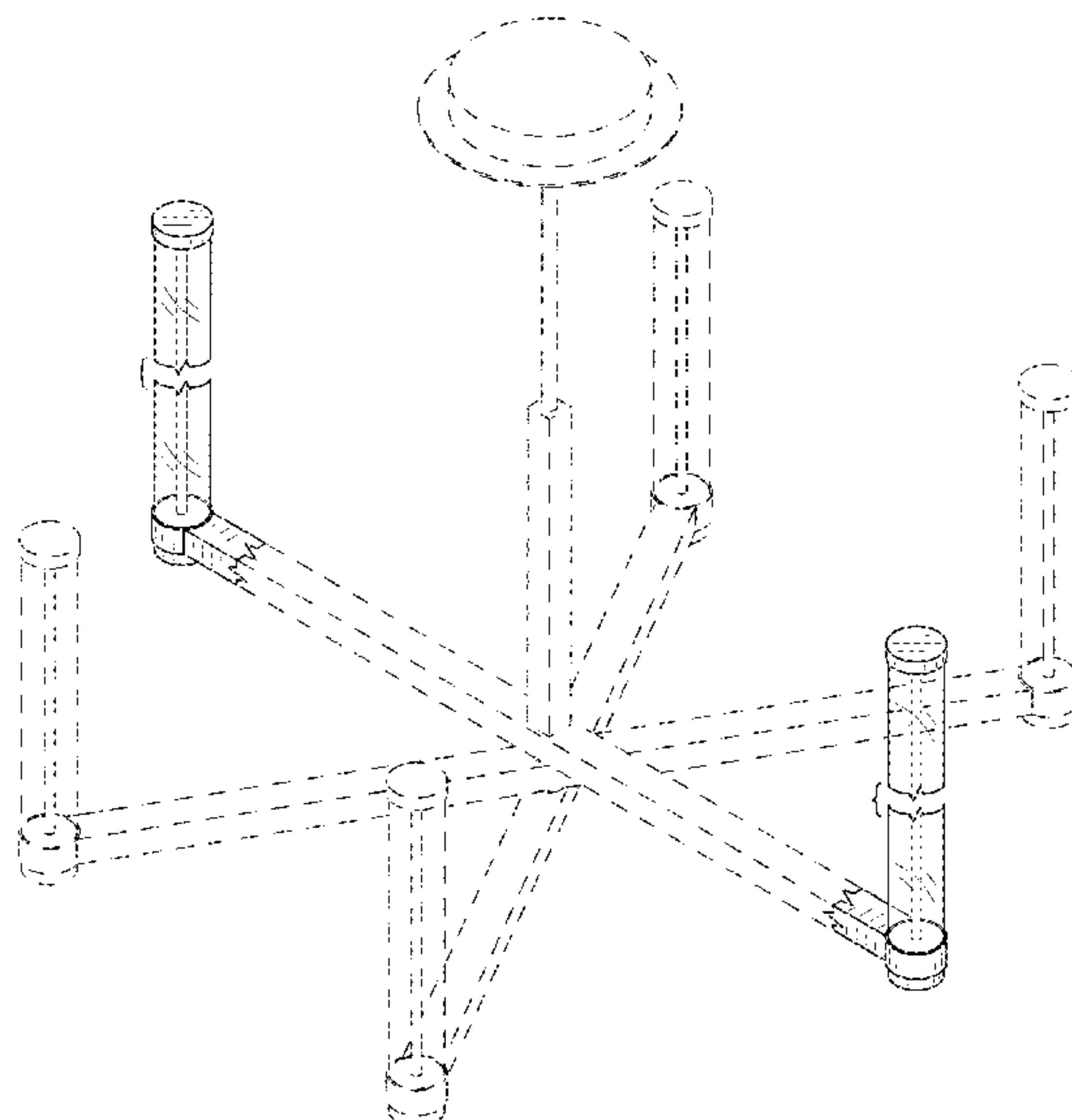
The ornamental design for a lighting fixture, as shown and described.

DESCRIPTION

FIG. 1 is a front right perspective view from above of a lighting fixture according to the new design; FIG. 2 is a rear left perspective view from below thereof; FIG. 3 is a front elevational view thereof; FIG. 4 is a right side elevational view thereof; FIG. 5 is a left side elevational view thereof; FIG. 6 is a rear elevational view thereof; FIG. 7 is a top view thereof; FIG. 8 is a bottom view thereof; FIG. 9 is a front right perspective view from above thereof, but shown illuminated; FIG. 10 is a rear left perspective view from below thereof; FIG. 11 is a front elevational view thereof; FIG. 12 is a right side elevational view thereof; FIG. 13 is a left side elevational view thereof; FIG. 14 is a rear elevational view thereof; FIG. 15 is a top view thereof; and, FIG. 16 is a bottom view thereof.

The broken lines in the drawings illustrate portions of the lighting fixture that form no part of the claimed design. The breakaway lines in the figures indicate a symbolic break in the length of the design indicating no specific length. The appearance of any portion of the design between the break lines forms no part of the claimed design. The stippling shown in FIGS. 9-14 is solely for the purpose of illustrating the appearance of illumination and does not represent texture or surface ornamentation.

1 Claim, 16 Drawing Sheets



(56)

References Cited

U.S. PATENT DOCUMENTS

D550,885	S	9/2007	Crosby	
D635,290	S	3/2011	Hsu	
D638,566	S	5/2011	Goelz	
D646,002	S	9/2011	Wang	
D663,884	S *	7/2012	Baylar	D26/88
D690,870	S	10/2013	Ng	
D719,698	S *	12/2014	Mollaghaffari	D26/88
D786,479	S *	5/2017	Dolan	D26/81
D786,494	S *	5/2017	Dolan	D26/143
D786,495	S *	5/2017	Dolan	D26/143
D786,496	S *	5/2017	Dolan	D26/128
D788,359	S	5/2017	Sonneman	
D793,605	S *	8/2017	Cartwright	D26/81
D806,304	S *	12/2017	Amato	D26/81
D816,894	S *	5/2018	Amato	D26/144
D828,607	S *	9/2018	Sonneman	D26/81
D850,698	S	6/2019	Prats	
D851,319	S *	6/2019	Amato	D26/87
D860,508	S *	9/2019	Coombes	D26/88
D860,510	S *	9/2019	Greenberg	D26/88
D863,648	S *	10/2019	Amato	D26/87
D866,843	S	11/2019	Benghozi	
D869,082	S *	12/2019	Amato	D26/145
D870,953	S *	12/2019	Coombes	D26/81
D872,911	S *	1/2020	Chen	D26/24
D888,314	S	6/2020	Mangold	
D891,671	S *	7/2020	Amato	D26/82
D923,232	S *	6/2021	Hendifar	D26/90
D940,942	S	1/2022	Zou	
D957,027	S	7/2022	Yang	
D967,492	S *	10/2022	Amato	D26/87
D972,191	S *	12/2022	Alonso Yebra	D26/85

OTHER PUBLICATIONS

Alora Lighting, Claire Collection. First available unknown. Searched Feb. 16, 2023. [<https://aloralighting.com/product/claire-ch607232/>] (Year: 2023).*

Shades of Light, Eliza Minimalist Chandelier. First available unknown. Searched Feb. 16, 2023. [<https://www.shadesoflight.com/products/eliza-minimalist-chandelier-large>] (Year: 2023).*

Restoration Hardware, Cannele Round Chandelier. First available unknown. Searched Feb. 16, 2023. [<https://rh.com/catalog/category/products.jsp?categoryId=cat7140144>] (Year: 2023).*

Adrian Rocha and Robert De'Armond, Jr., design U.S. Appl. No. 29/868,687, filed Dec. 12, 2022, entitled "Lighting Fixture".

Adrian Rocha and Robert De'Armond, Jr., design U.S. Appl. No. 29/868,689, filed Dec. 12, 2022, entitled "Lighting Fixture".

Thirteen Hifly Lighting Concepts, by Shenzhen AGC Lighting Co., Ltd., Guangdong, China, 13 pages, Feb. 7, 2022.

Motif Wall Sconce, Model No. WS74122, manufactured by Kuzco Lighting LLC, Las Vegas, Nevada, printout retrieved on Nov. 14, 2022, available at <https://kuzcolighting.com/product/motif-ws74122/>, (Wayback Verification Crawl Presence dated May 18, 2021), 8 pages, May 18, 2021.

Motif Wall Sconce, Model No. WS74226, manufactured by Kuzco Lighting LLC, Las Vegas, Nevada, printout retrieved on Nov. 18, 2022, available at <https://kuzcolighting.com/product/motif-ws74226/>, (Wayback Verification Crawl Presence dated May 18, 2021), 8 pages, May 18, 2021.

Motif Pendant, Model No. PD75027, manufactured by Kuzco Lighting LLC, Las Vegas, Nevada, printout retrieved on Nov. 18, 2022, available at <https://kuzcolighting.com/product/motif-pd75027/>, (Wayback Verification Crawl Presence dated May 18, 2021), 8 pages, May 18, 2021.

HiFly A LED Linear High Bay Fixtures With PIR/Microwave Motion Sensors, manufactured by Shenzhen AGC Lighting Co., Ltd., Guangdong, China, available from Lighting Manufacturer (<https://www.manufacturer.lighting/>), printout retrieved on Nov. 18, 2022, available at <https://www.manufacturer.lighting/products/342/>, (Wayback Verification Crawl Presence dated Jul. 30, 2019), 4 pages, Jul. 30, 2019.

Molly McGee, design U.S. Appl. No. 29/820,686, filed Dec. 23, 2021, entitled "Lighting Fixture".

Rocha et al., Design U.S. Appl. No. 29/868,689, Notice of Allowance, dated Mar. 2, 2023, 8 pages, dated Mar. 2, 2023.

Faicuk 8W Replacement Tube and Holder, available in Amazon.com, date first available May 20, 2022 [online], [site visited Feb. 14, 2023], Available from the internet URL: <https://a.co/d/7YTld4u>, 3 pages, (Year: 2022).

New Slim Line Modem Frosted Bathroom Vanity Light Fixture, available in Amazon.com, date first available Nov. 25, 2016 [online], [site visited Feb. 14, 2023], Available from the internet URL: <https://a.co/d/6X4JuWu>, 9 pages, (Year 2016).

ASD 48 Inch LED Bathroom Vanity Light, available in Amazon.com, date first available Jul. 6, 2021 [online], [site visited Feb. 14, 2023], Available from the internet URL: <https://a.co/d/0YeV3mR>, 7 pages, (Year: 2021).

* cited by examiner

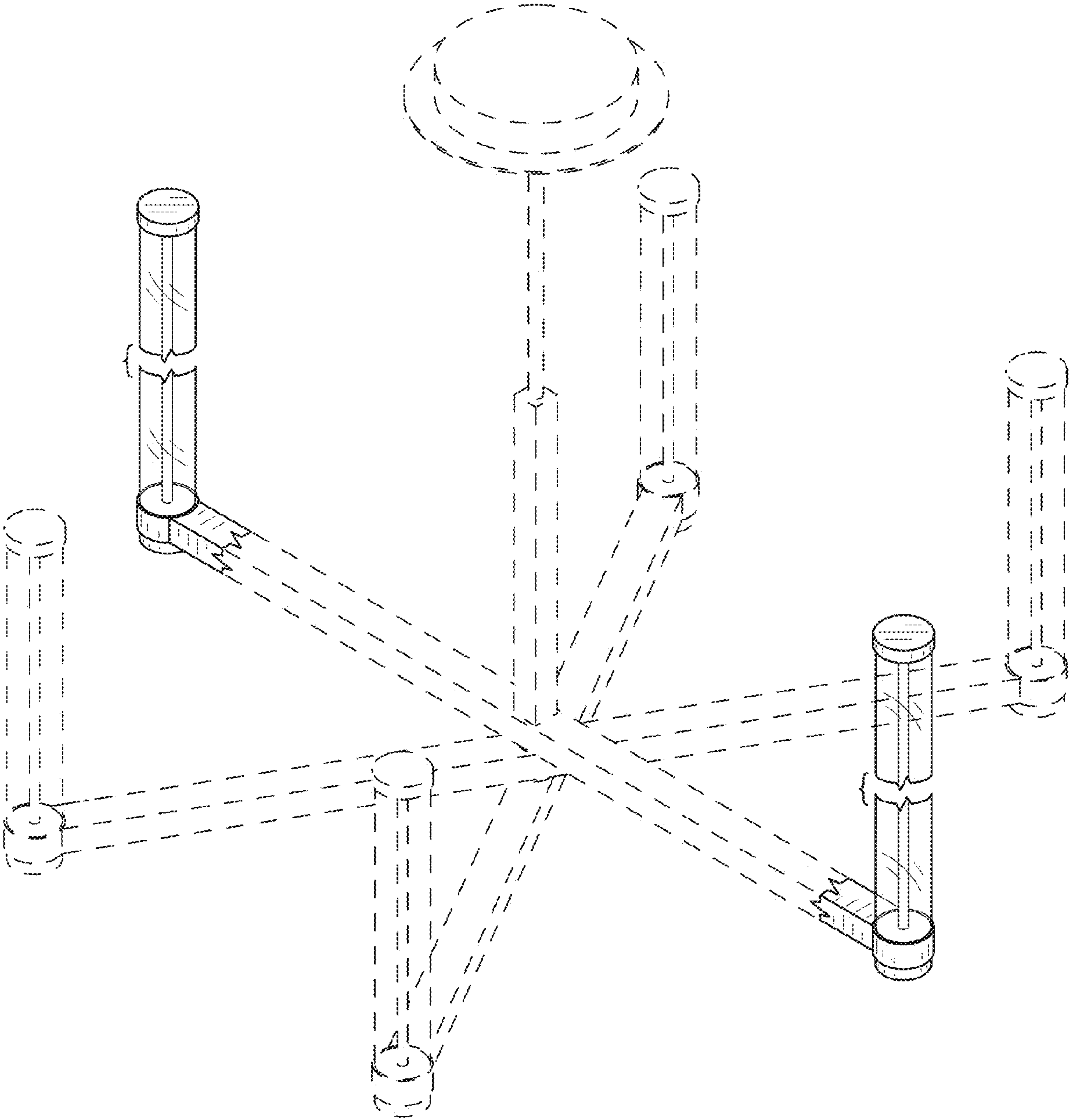


FIG. 1

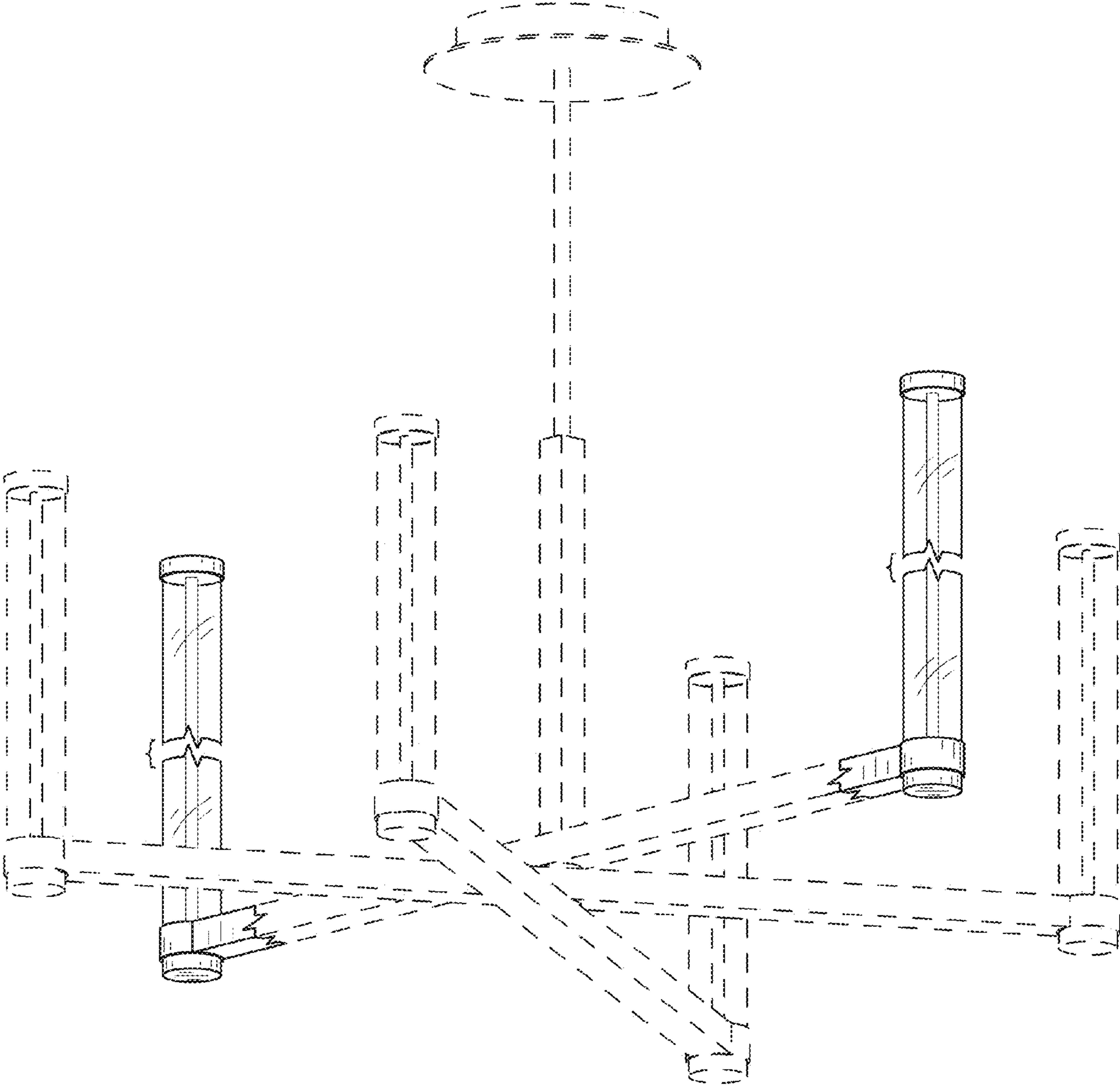


FIG. 2

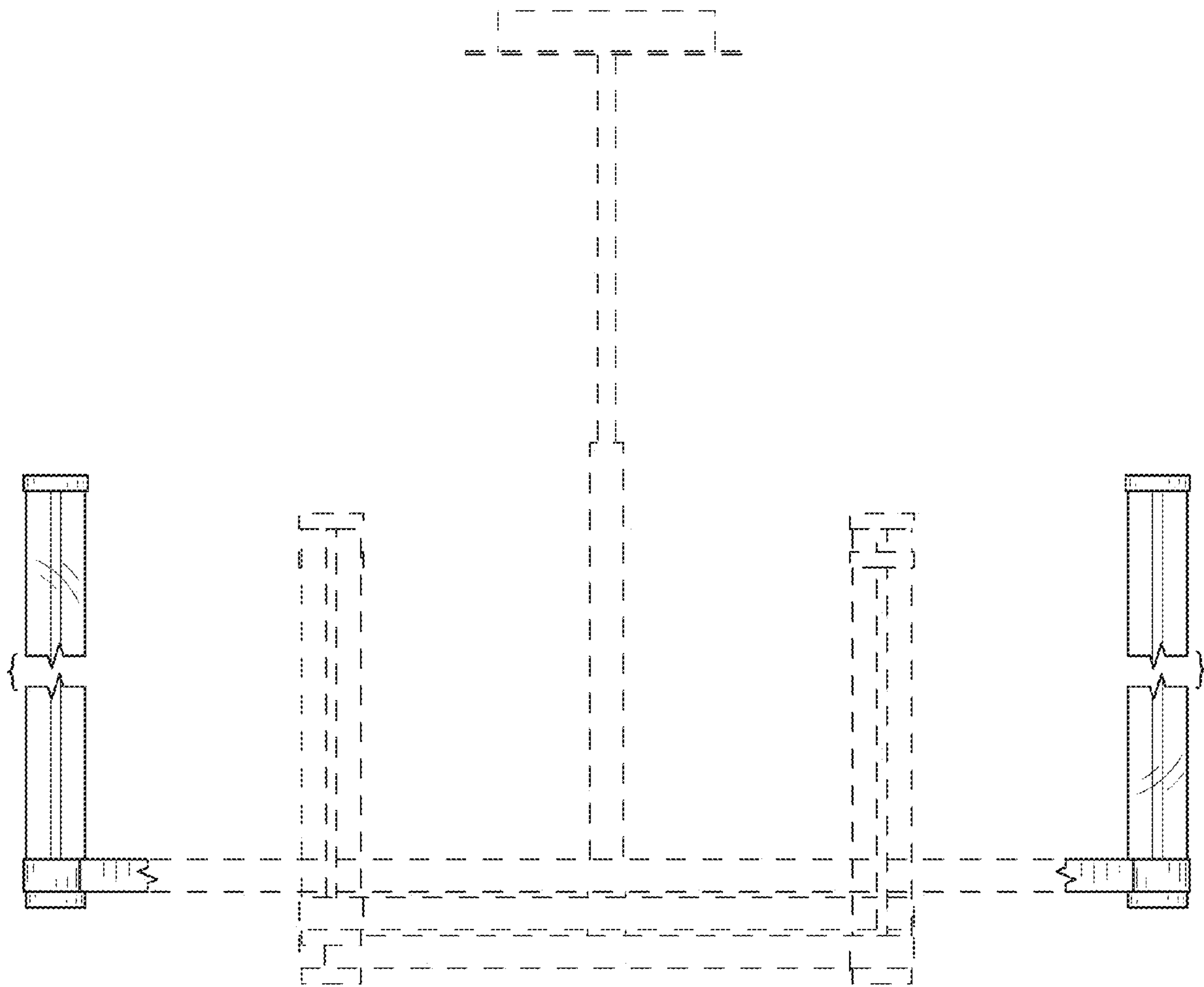


FIG. 3

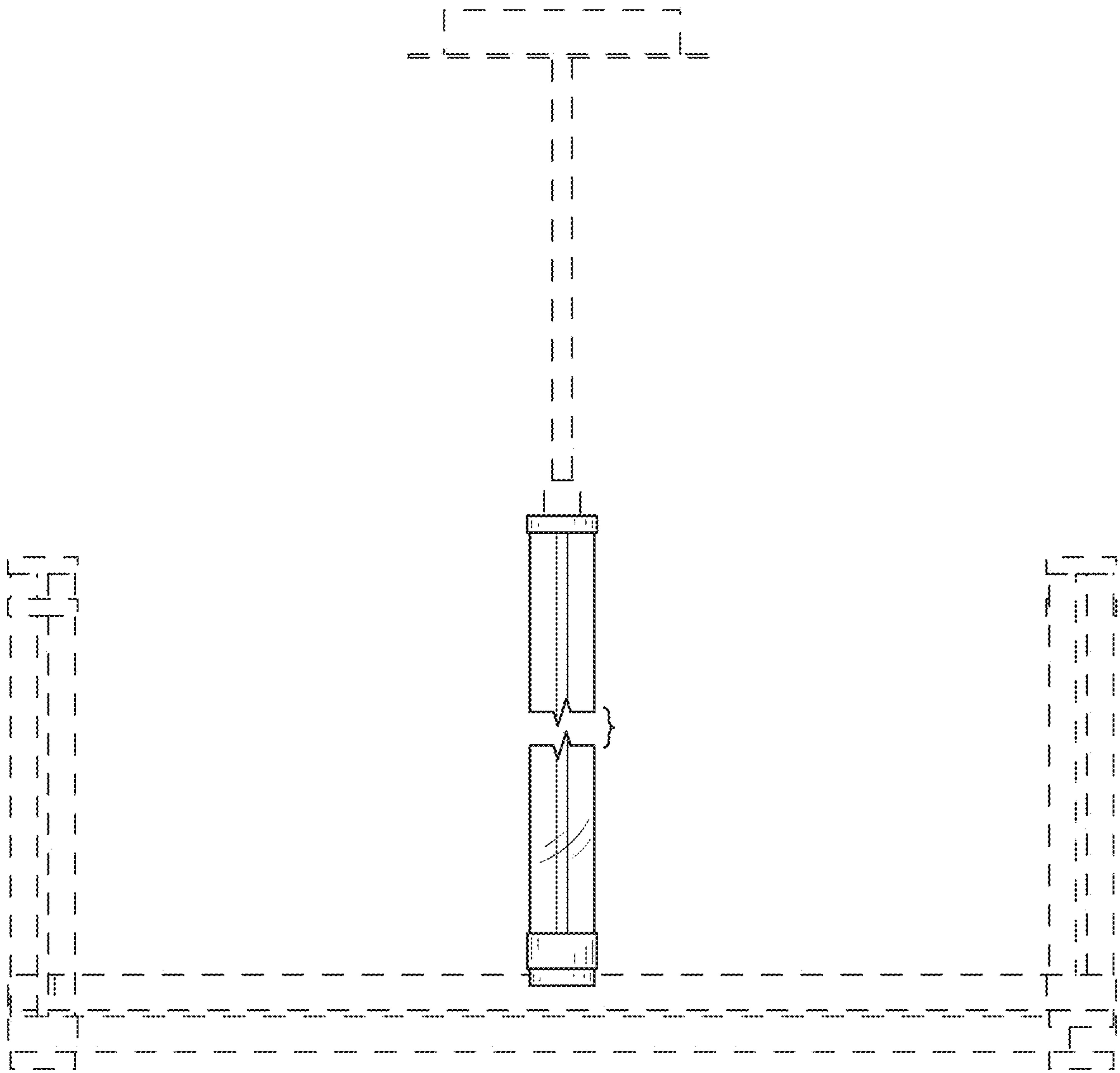


FIG. 4

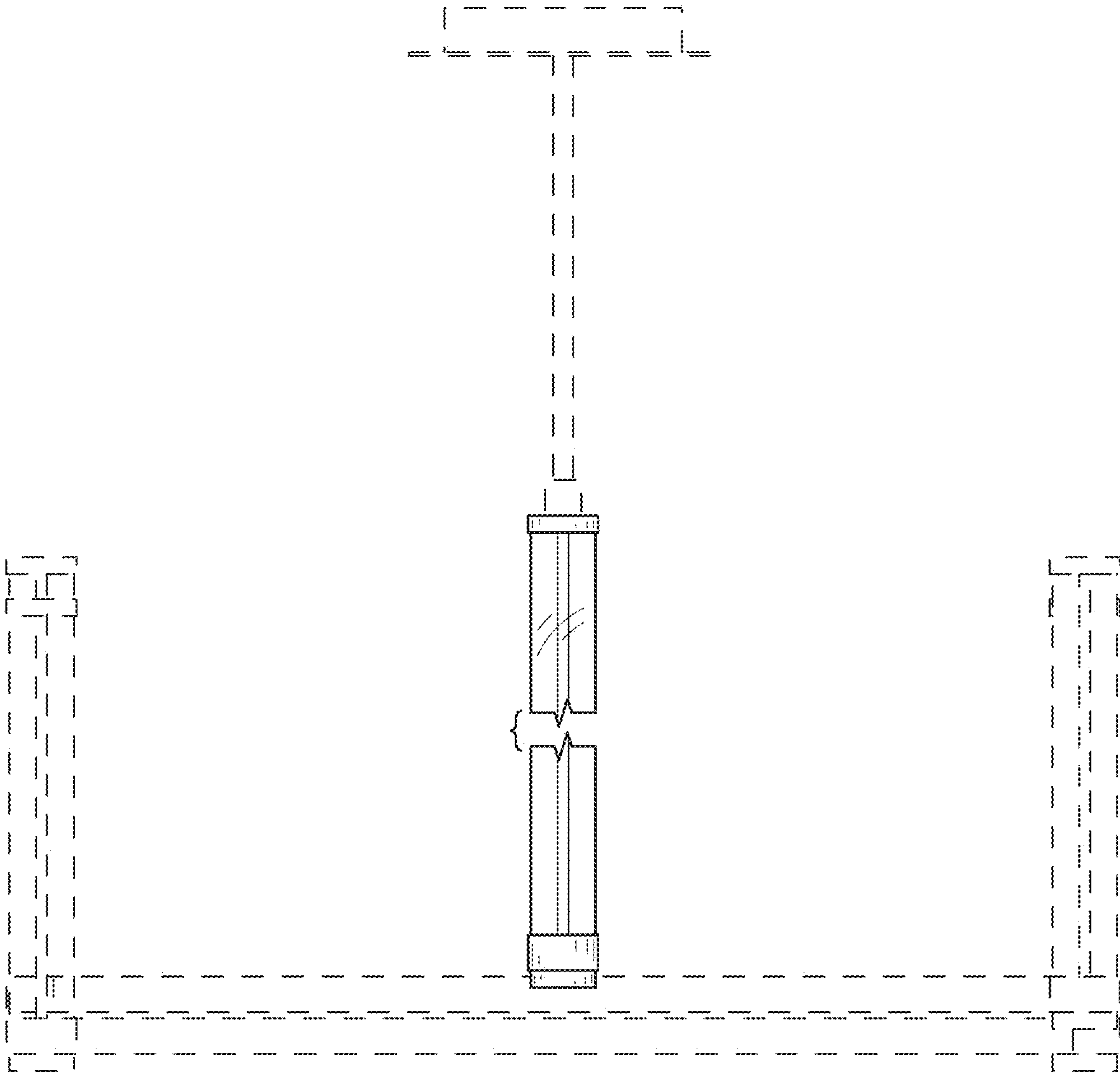


FIG. 5

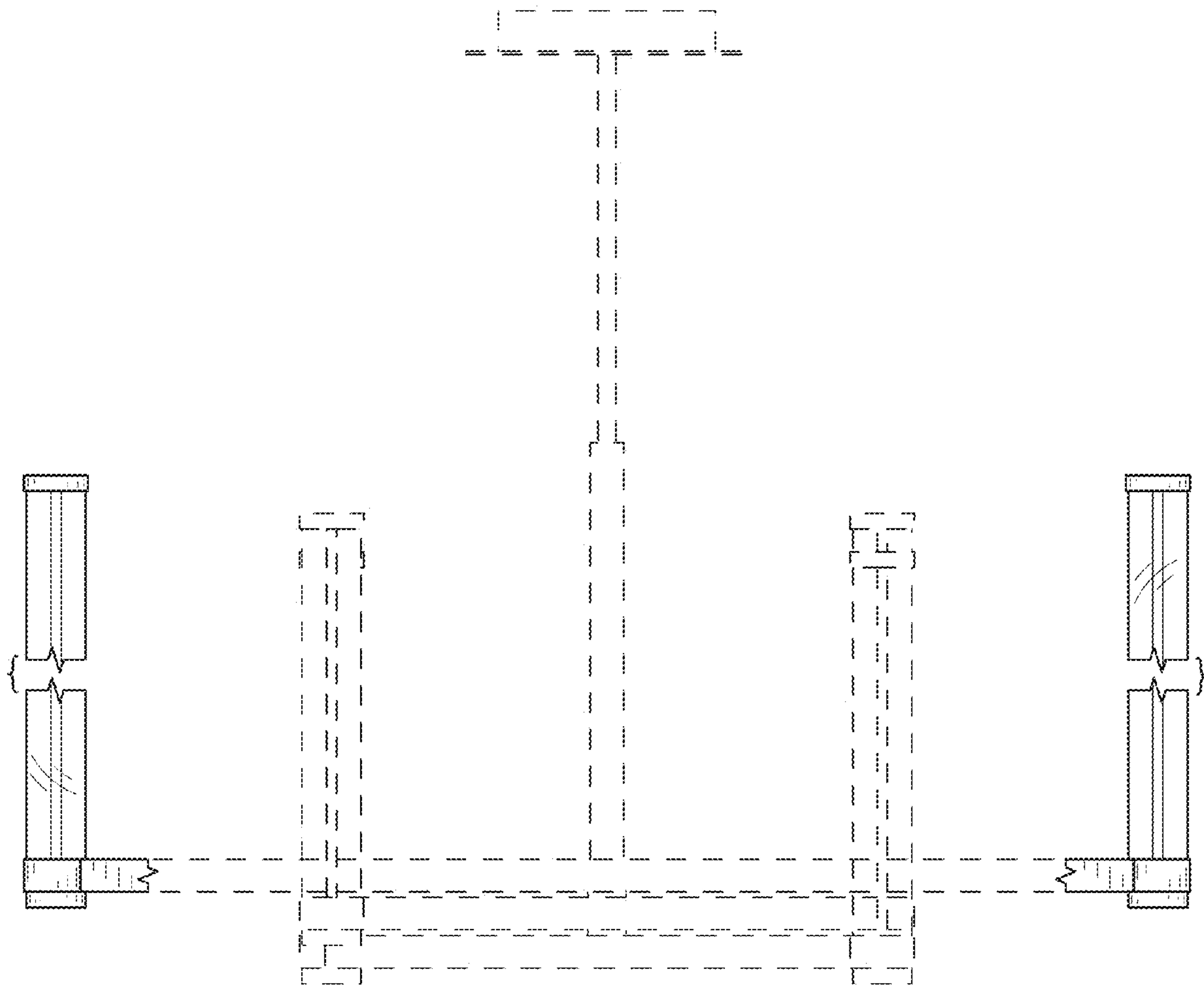


FIG. 6

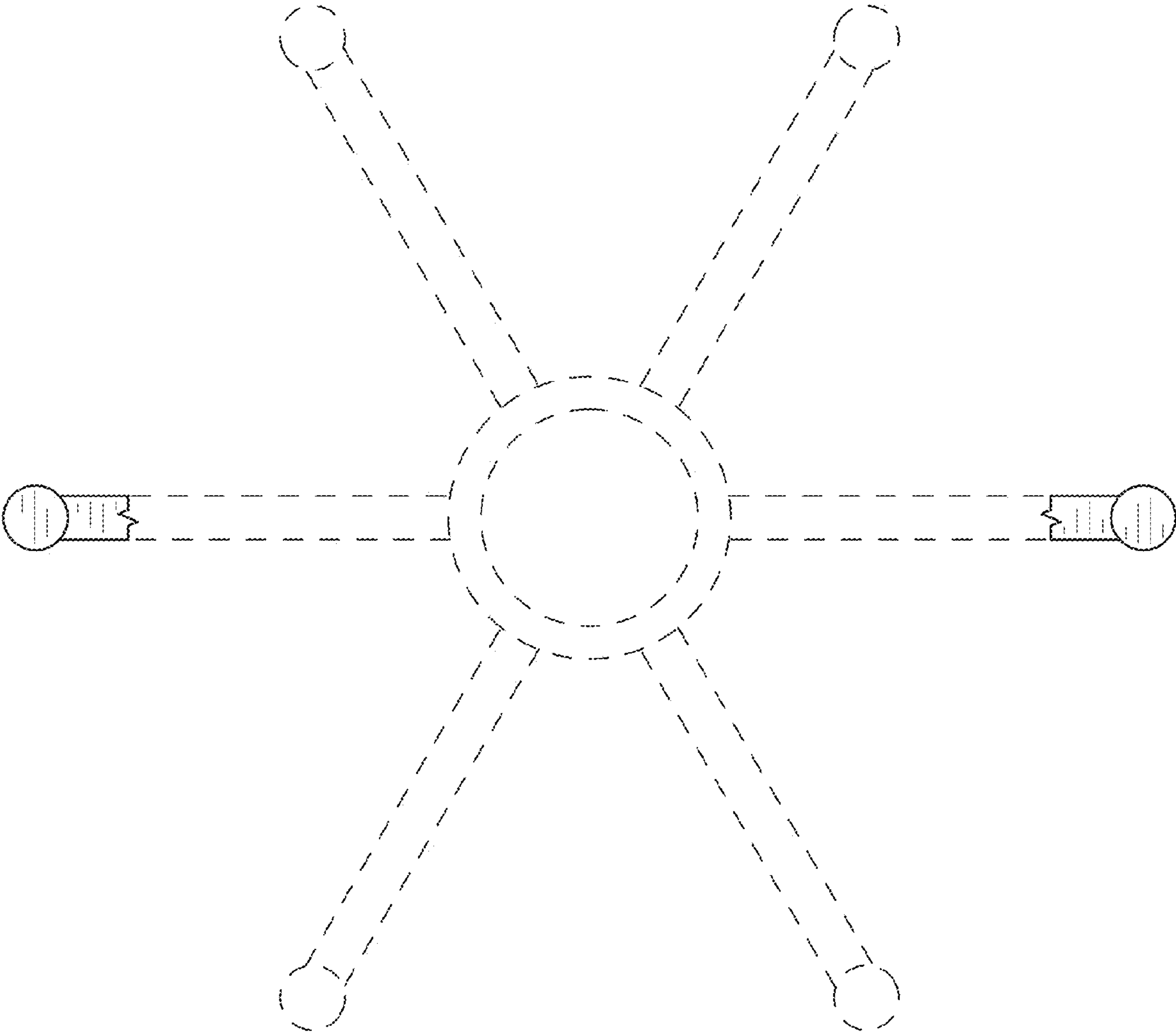


FIG. 7

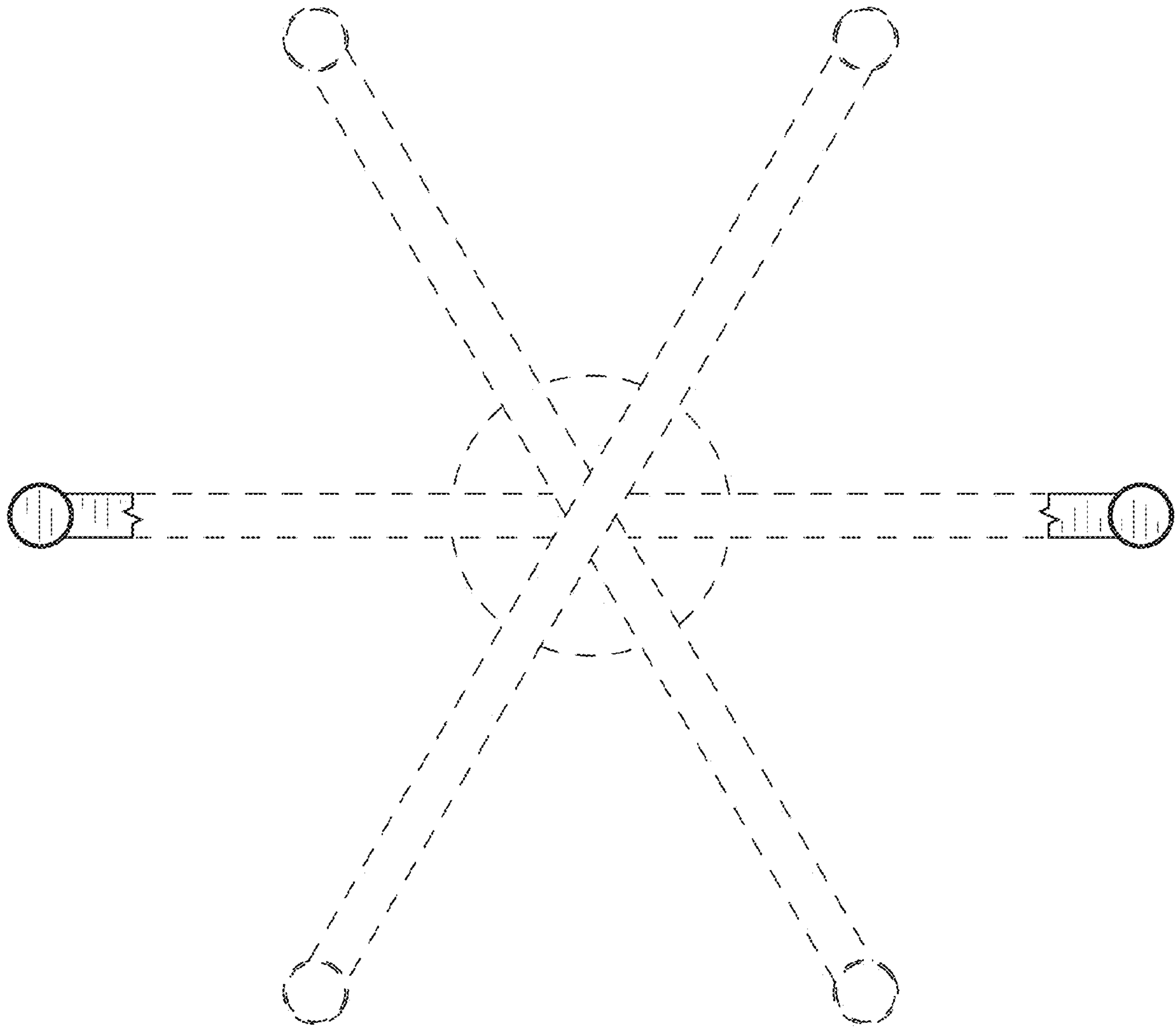


FIG. 8

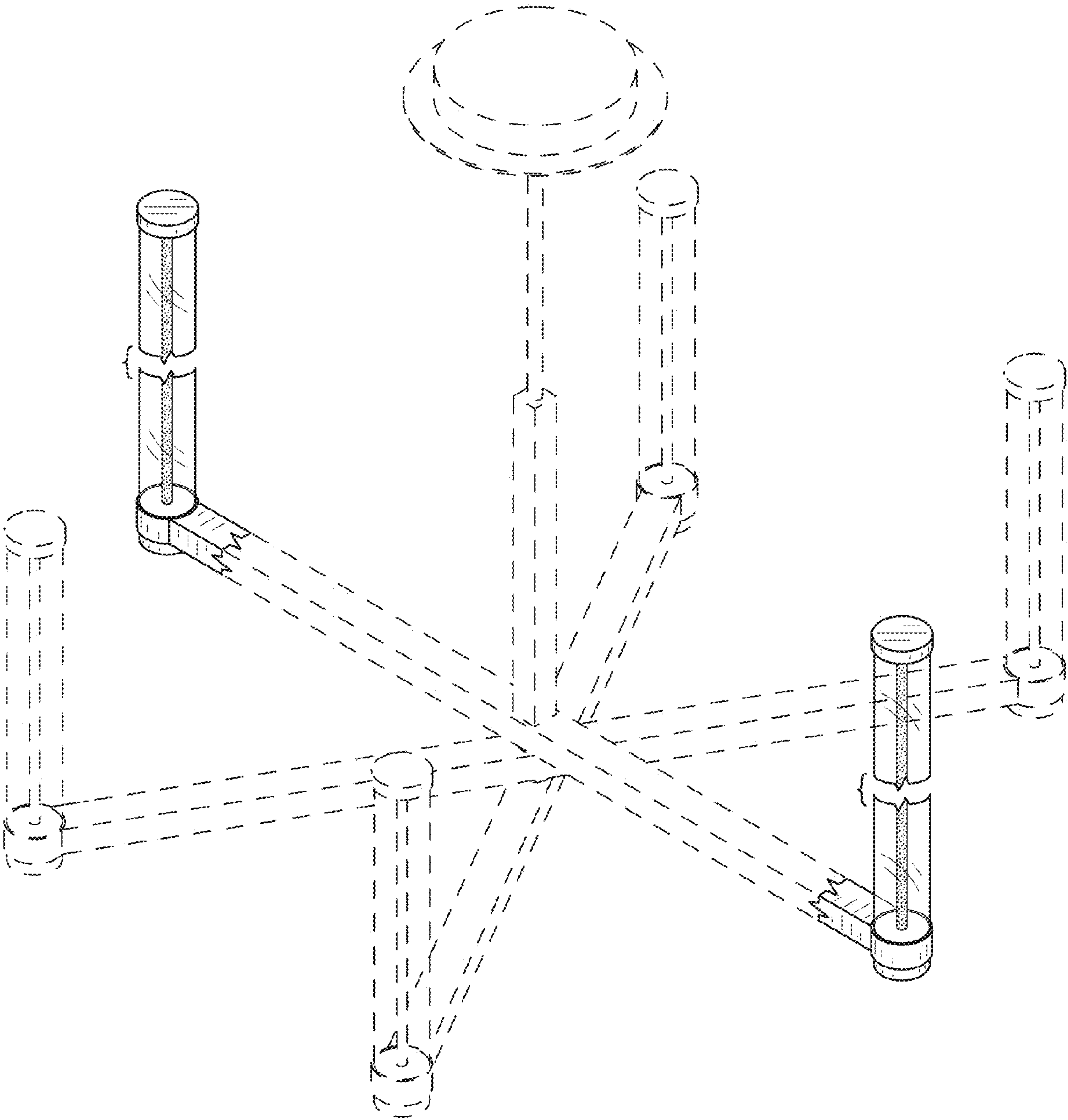


FIG. 9

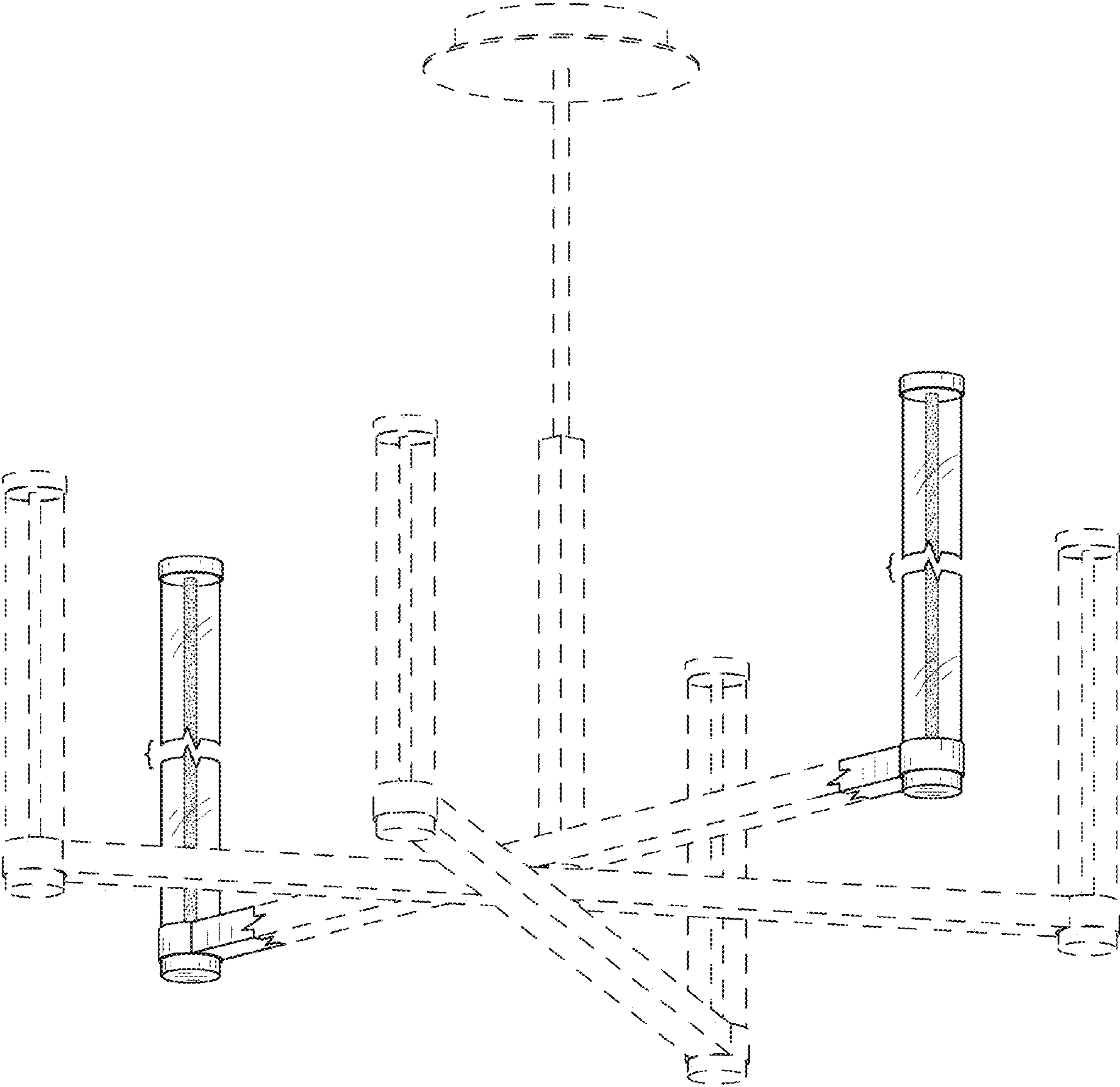


FIG. 10

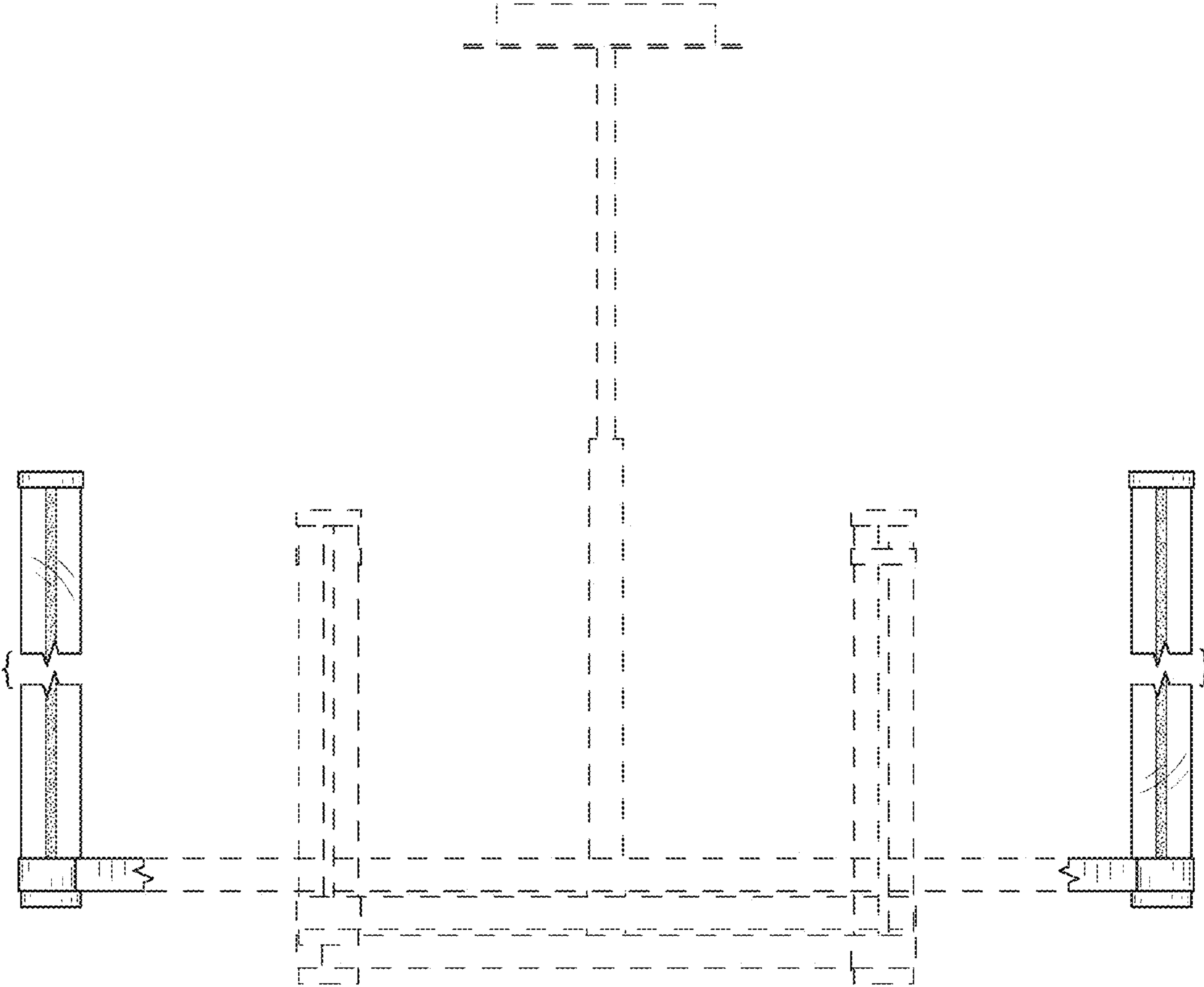


FIG. 11

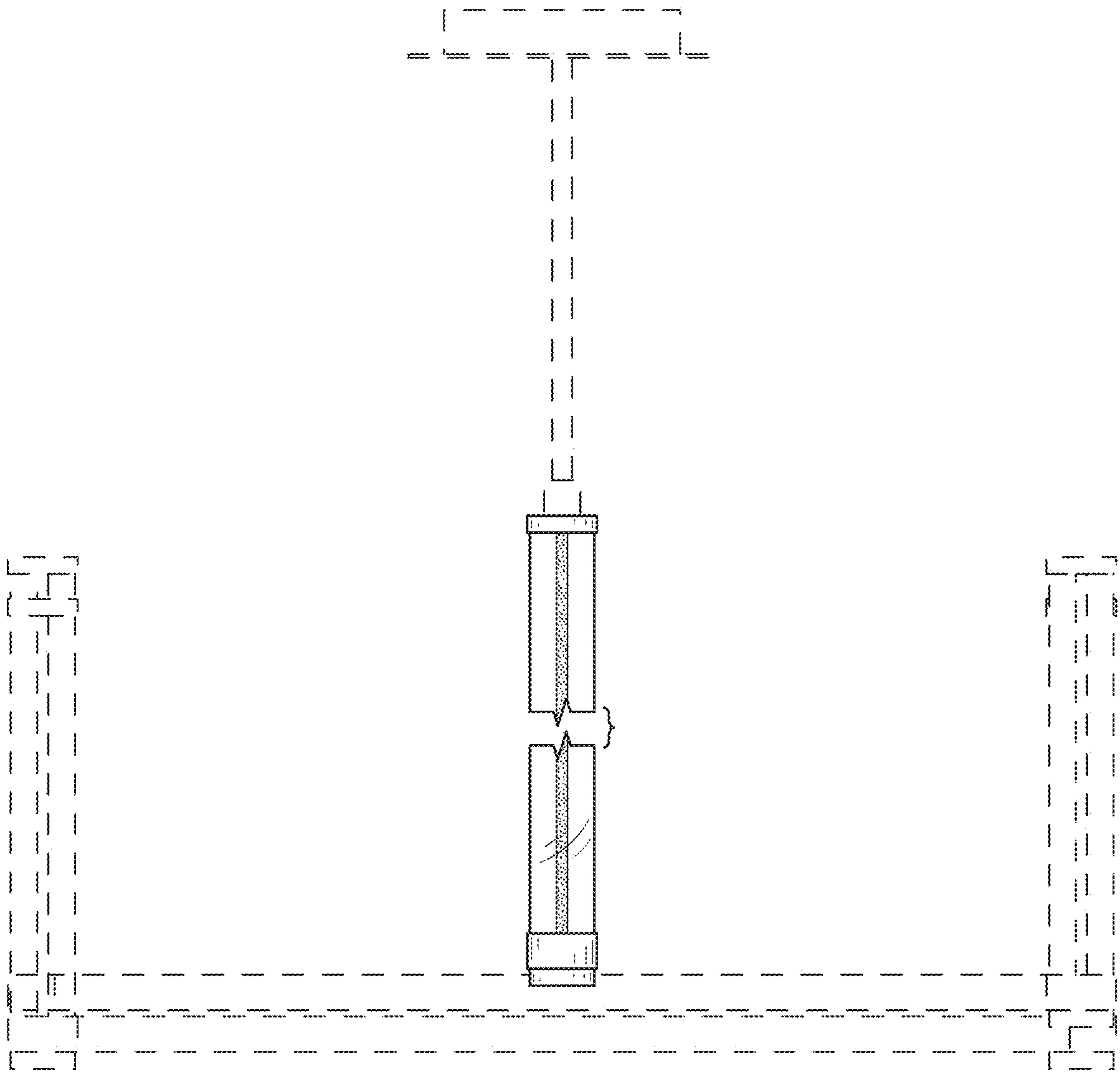


FIG. 12

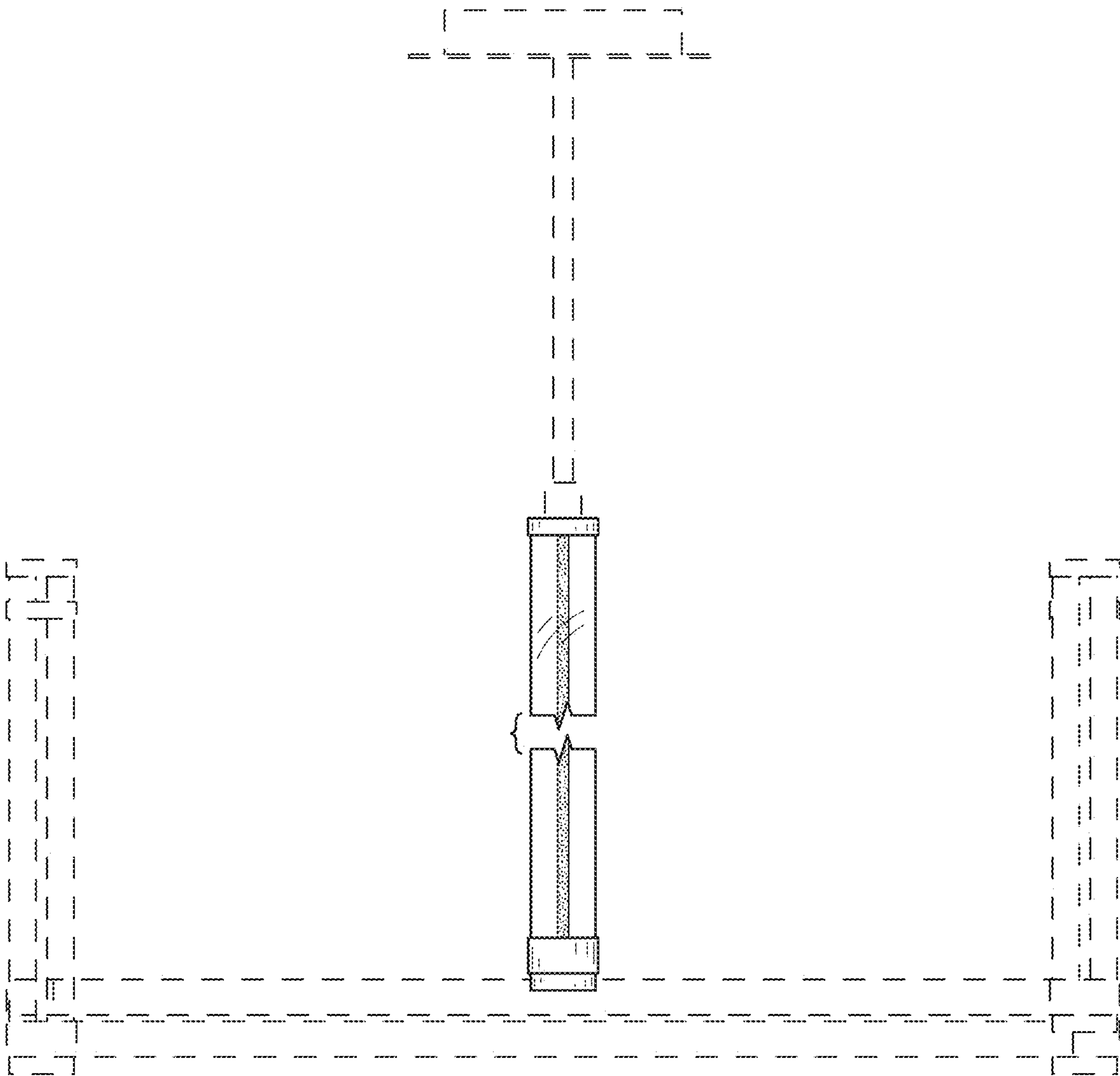


FIG. 13

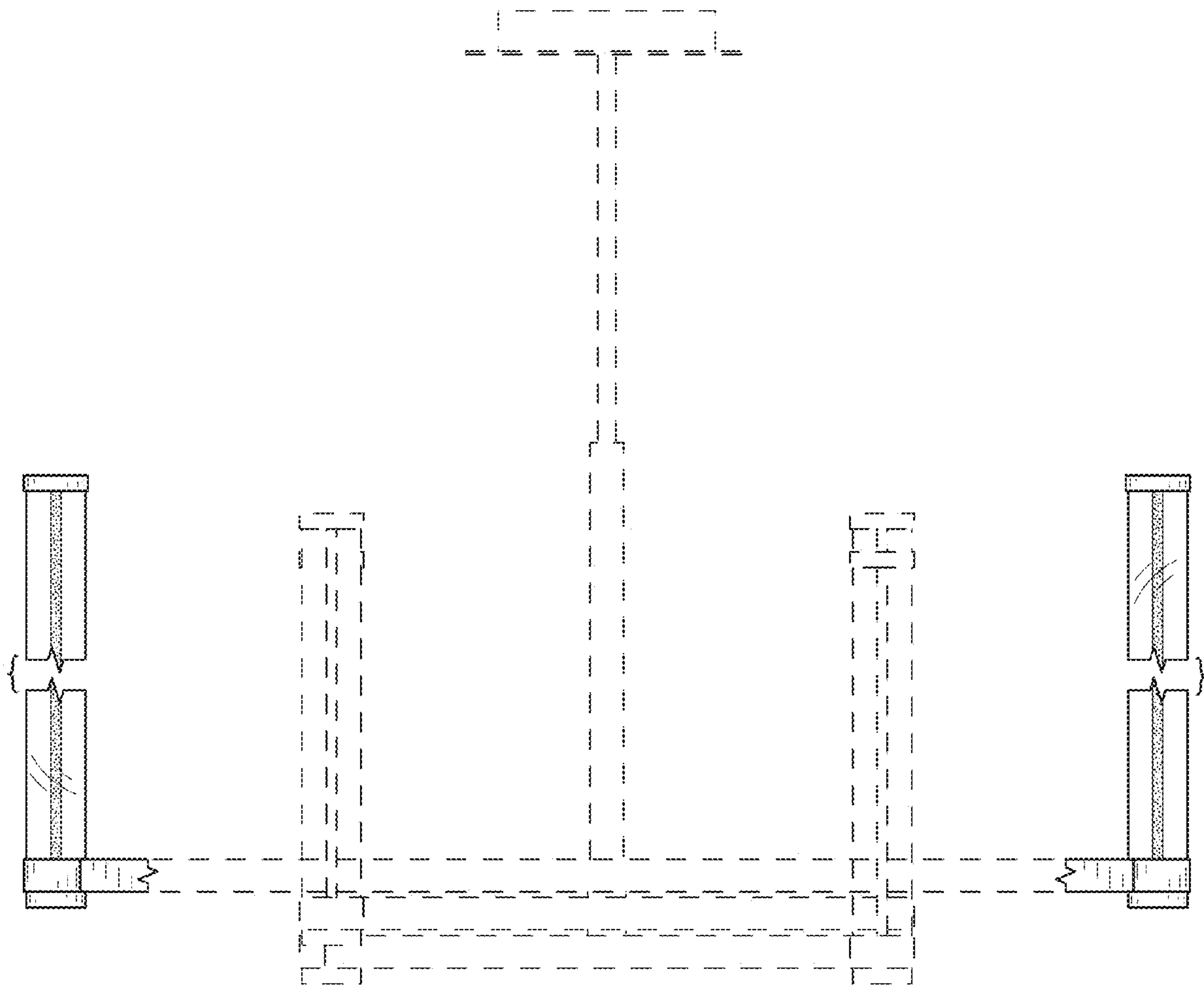


FIG. 14

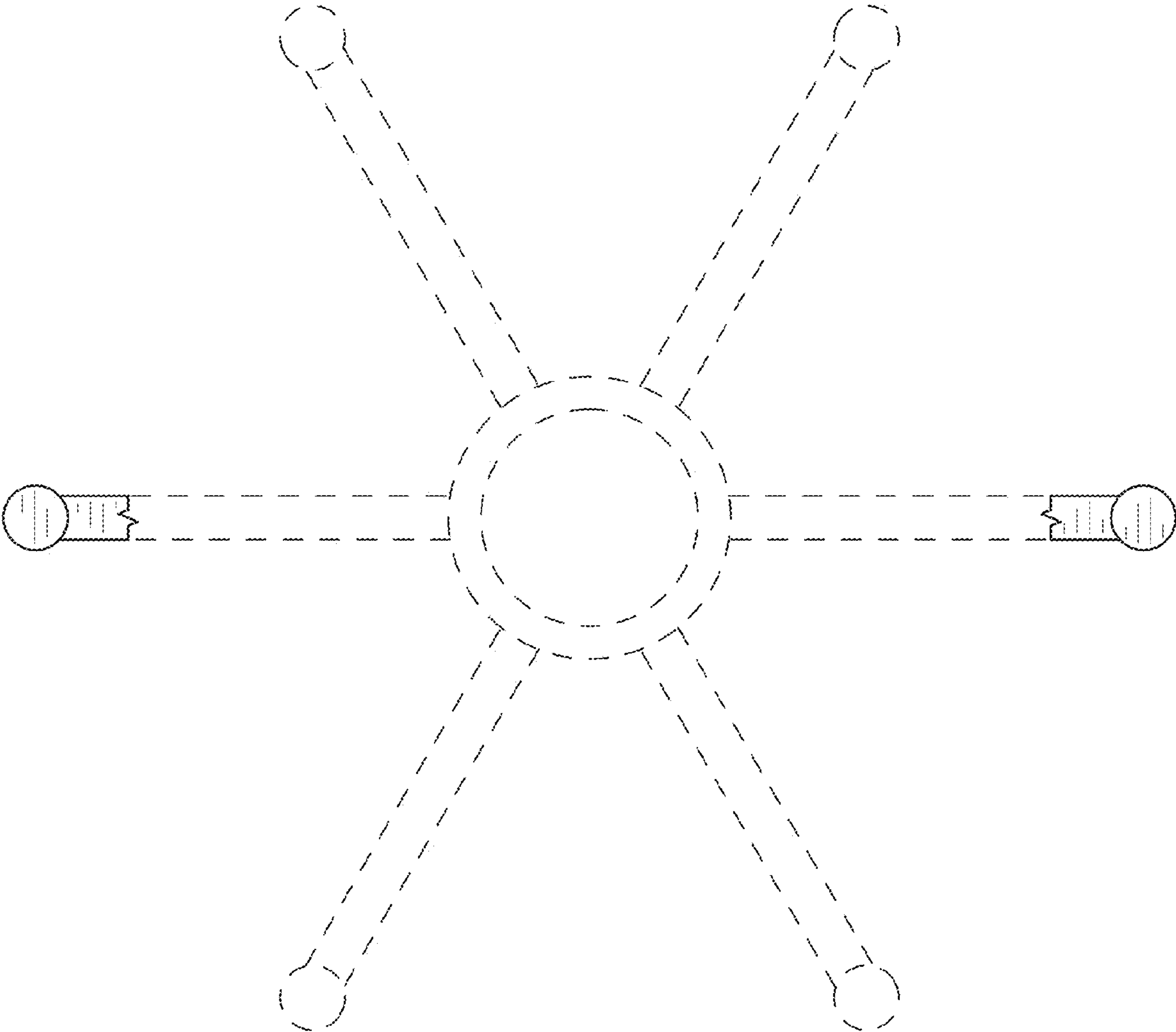


FIG. 15

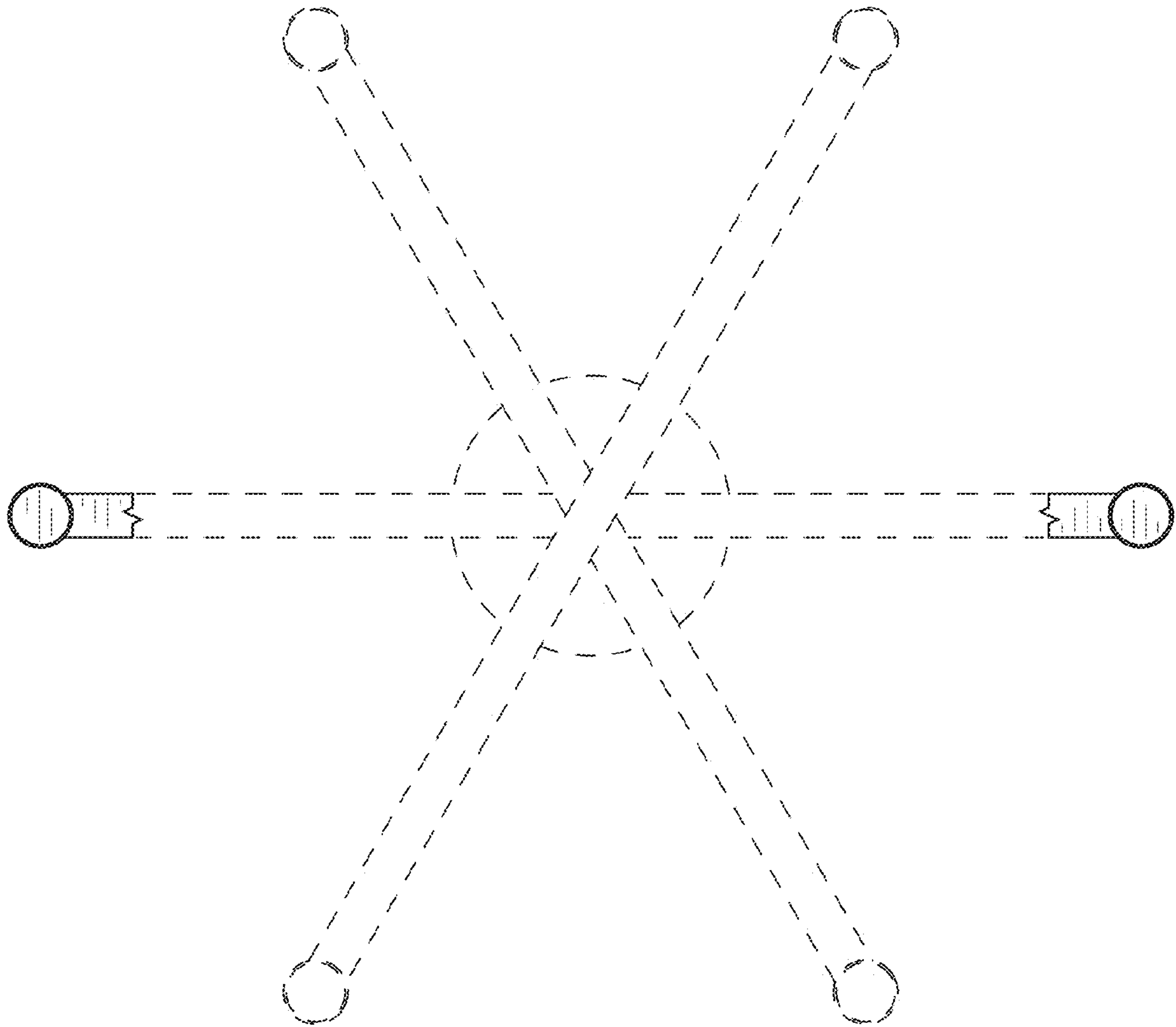


FIG. 16