



US00D986462S

(12) **United States Design Patent**
Zhang

(10) **Patent No.:** **US D986,462 S**

(45) **Date of Patent:** **** May 16, 2023**

(54) **SOLAR LANDSCAPE LIGHT**

(71) Applicant: **Qiaoqiao Zhang**, GuangDong (CN)

(72) Inventor: **Qiaoqiao Zhang**, GuangDong (CN)

(**) Term: **15 Years**

(21) Appl. No.: **29/801,115**

(22) Filed: **Jul. 27, 2021**

(51) **LOC (14) Cl.** **26-05**

(52) **U.S. Cl.**

USPC **D26/63**; D26/67

(58) **Field of Classification Search**

USPC D26/1, 2, 3, 24, 51, 61, 63, 65, 66, 69,
D26/72, 81, 83, 92, 93, 102, 67, 71, 74;
D23/370, 375, 377, 379, 413; D16/132,
D16/133, 226, 227, 203

CPC F21S 6/004; F21S 8/00; F21S 8/003; F21S
8/04; F21S 8/026; F21S 8/036; F21S
8/037; F21S 8/038; F21S 8/043; F21S
8/081; F21S 8/083; F21S 8/085; F21S
8/086; F21S 9/03; F21S 9/032; F21S
9/035; F21S 9/037; F21V 14/02; F21V
21/00; F21V 21/02; F21V 21/14; F21V
21/26; F21V 21/30; F21W 2111/02;
F21W 2111/023; F21W 2131/10; F21Y
2115/10

See application file for complete search history.

(56) **References Cited**

U.S. PATENT DOCUMENTS

D164,065 S *	7/1951	Rutledge	D26/71
D355,042 S *	1/1995	Panagiotou	D26/63
D528,242 S *	9/2006	Wood	D26/69
D658,799 S *	5/2012	Levine	D26/83
D838,026 S *	1/2019	Jiang	D26/67
D887,059 S *	6/2020	Liu	D26/63
D903,920 S *	12/2020	Kang	D26/63
D921,261 S *	6/2021	Qiu	D26/67

D925,804 S *	7/2021	Hamilton	D26/72
D930,225 S *	9/2021	Jiang	D26/68
D936,887 S *	11/2021	Yan	D26/68
D966,590 S *	10/2022	Huang	D26/63

OTHER PUBLICATIONS

Unkind StarRay Solar Spot Lights Outdoor, first available Dec. 17, 2019, amazon.com, [online], [site visited Jan. 26, 2023], Available from internet URL: https://www.amazon.com/dp/B082V4PJQ6/ref=redir_mobile_desktop?_encoding=UTF8&aaxitk=20e88fee073c71909ee8e77753b5467a&content-id=%E2%80%A6 (Year: 2019).*

Mageky Adjustable Beam Solar Landscape Lights, first available Apr. 19, 2022, amazon.com, [online], [site visited Jan. 23, 2023], Available from internet URL: https://www.amazon.com/Mageky-Waterproof-Adjustable-Landscape-Spotlights/dp/B09VGK7DGT/ref=sr_1_50?crd=3COLUH2CW3C4&keywords=s%E2%80%A6&th=1 (Year: 2022).*

* cited by examiner

Primary Examiner — Angela J Lee

Assistant Examiner — Audris Park

(57) **CLAIM**

The ornamental design for a solar landscape light, as shown and described.

DESCRIPTION

FIG. 1 is a perspective view of a solar landscape light showing my new design;

FIG. 2 is a front elevation view thereof;

FIG. 3 is a rear elevation view thereof;

FIG. 4 is a left side elevation view thereof;

FIG. 5 is a right side elevation view thereof;

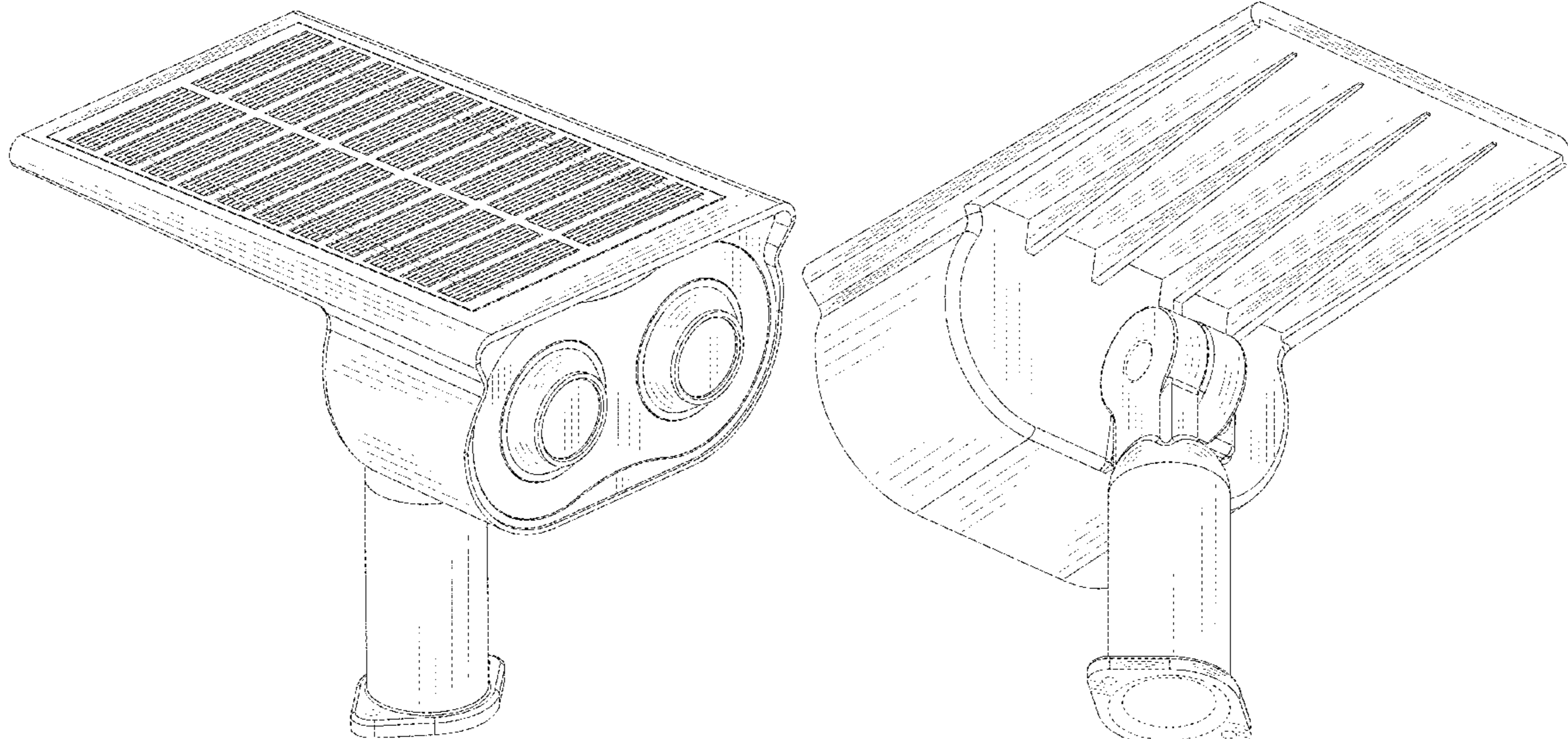
FIG. 6 is a top plan view thereof;

FIG. 7 is a bottom plan view thereof; and,

FIG. 8 is a rear, left, bottom side perspective view thereof.

The broken lines in the drawings depict portions of the solar landscape light that form no part of the claimed design.

1 Claim, 8 Drawing Sheets



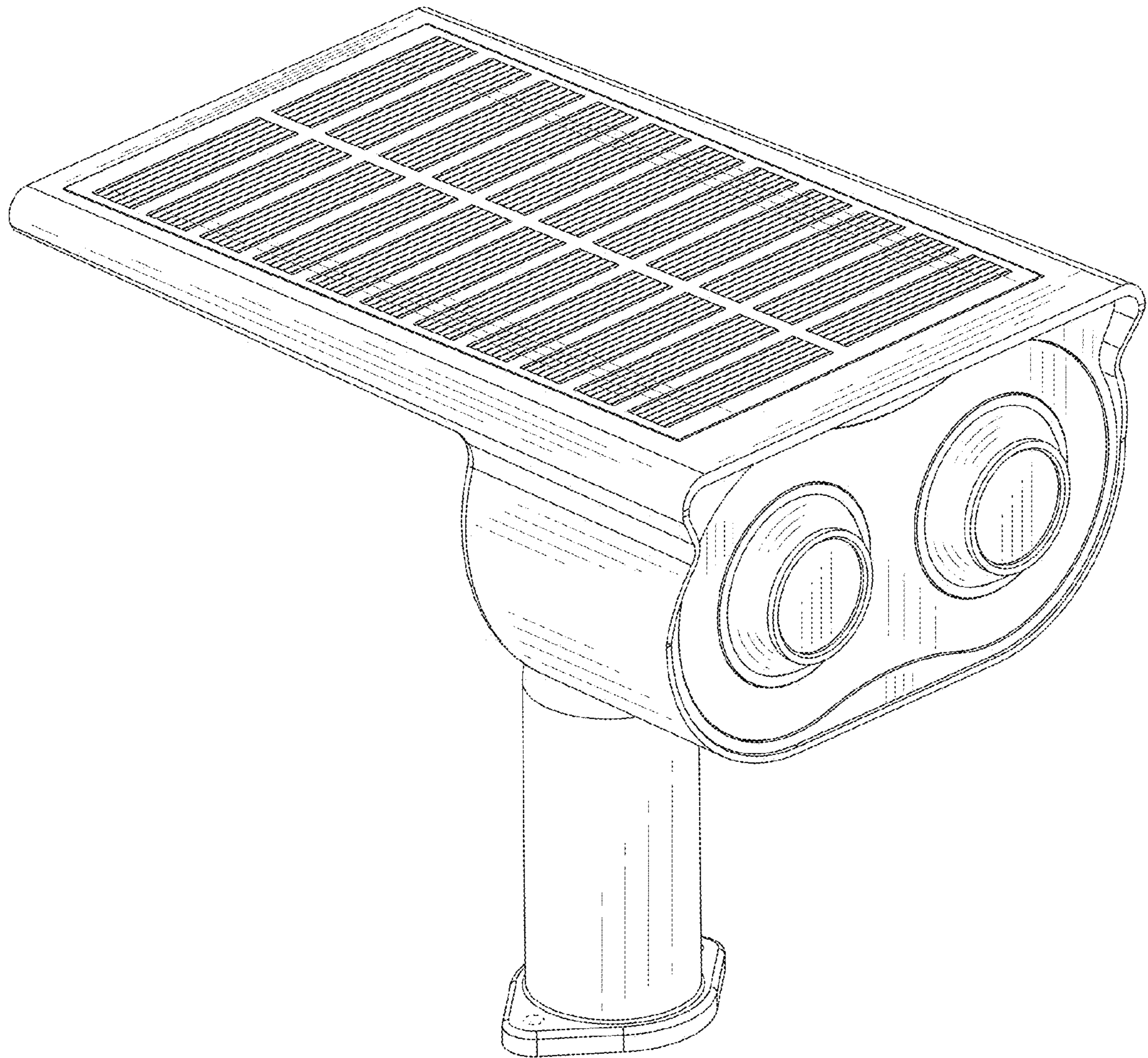


FIG. 1

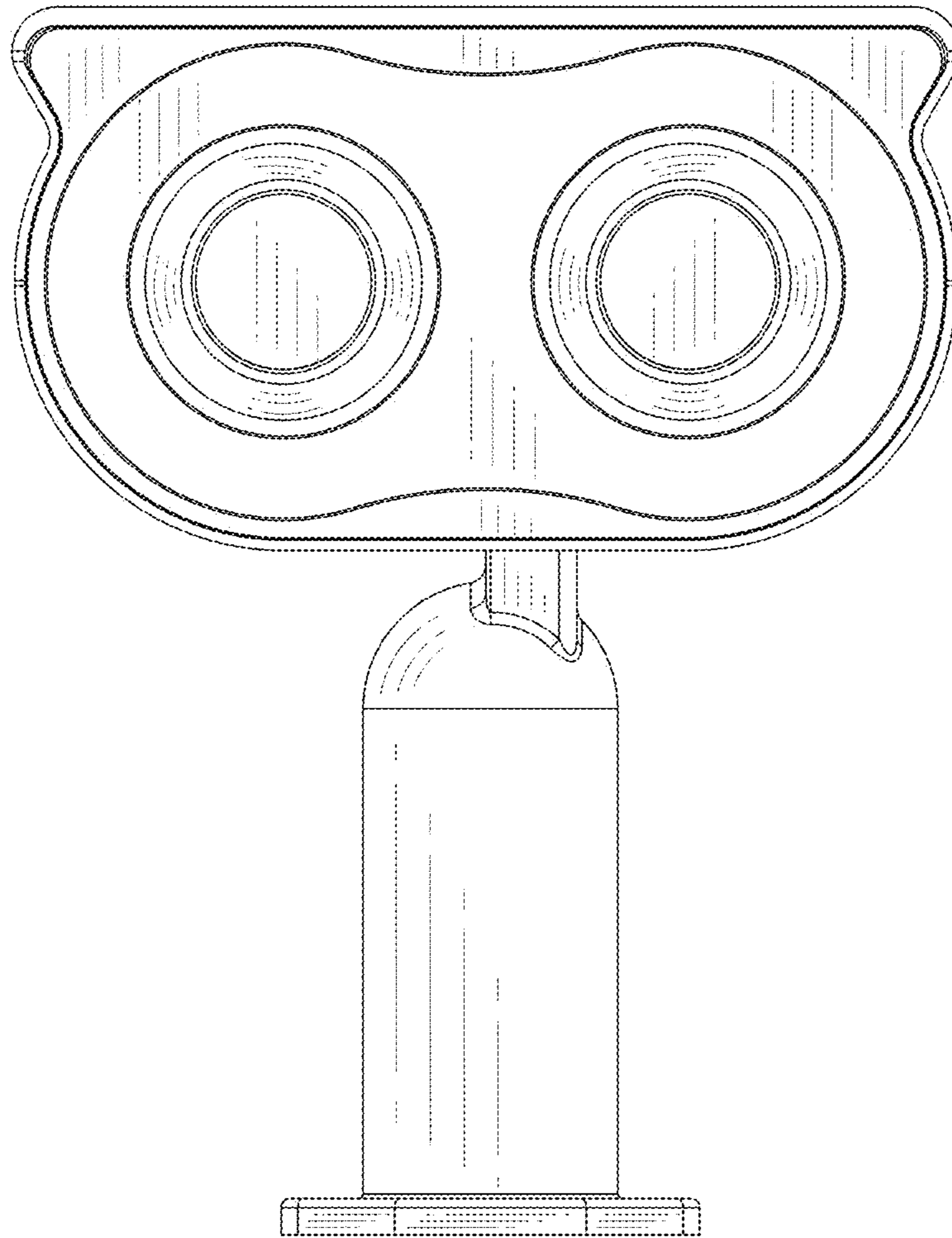


FIG. 2

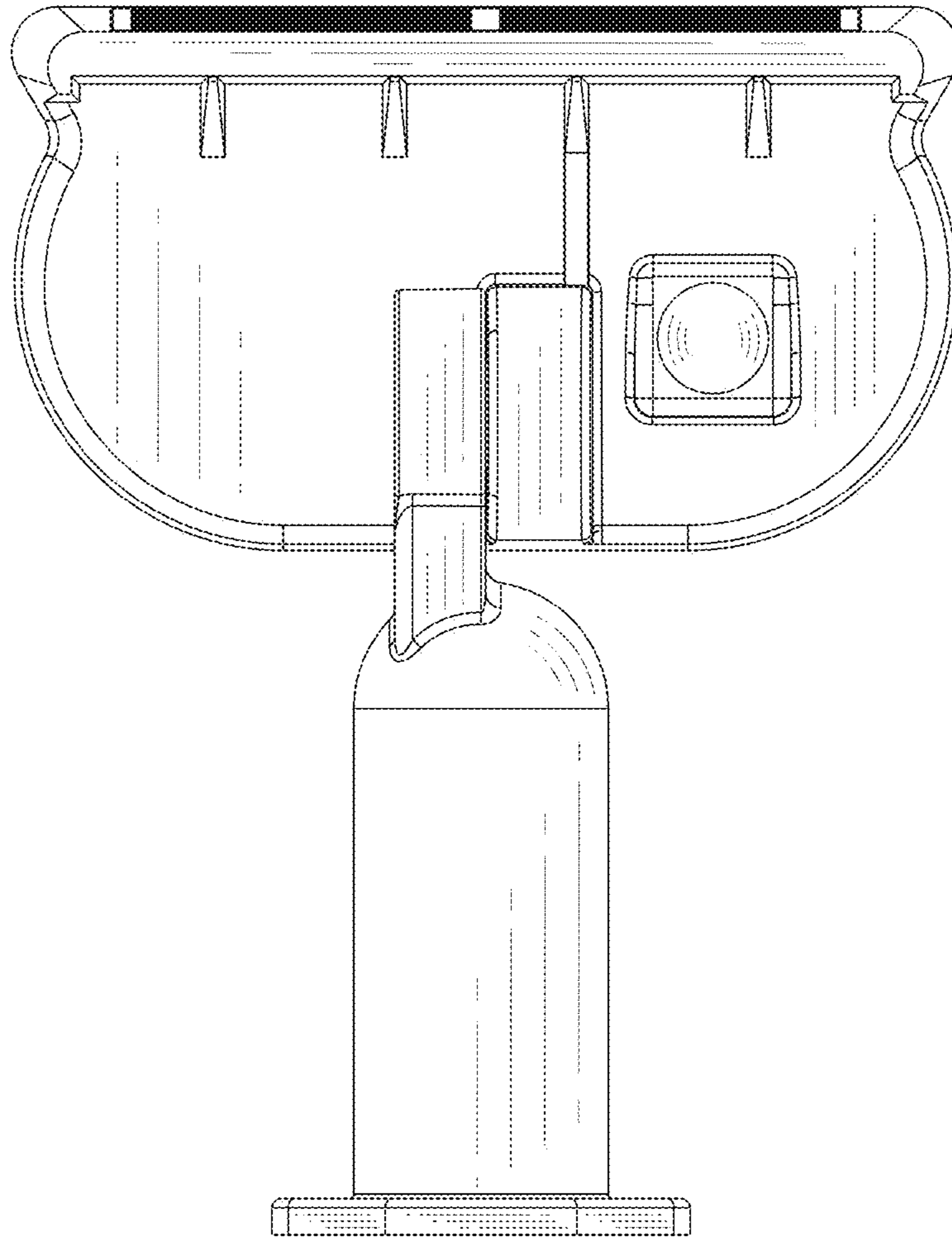


FIG. 3

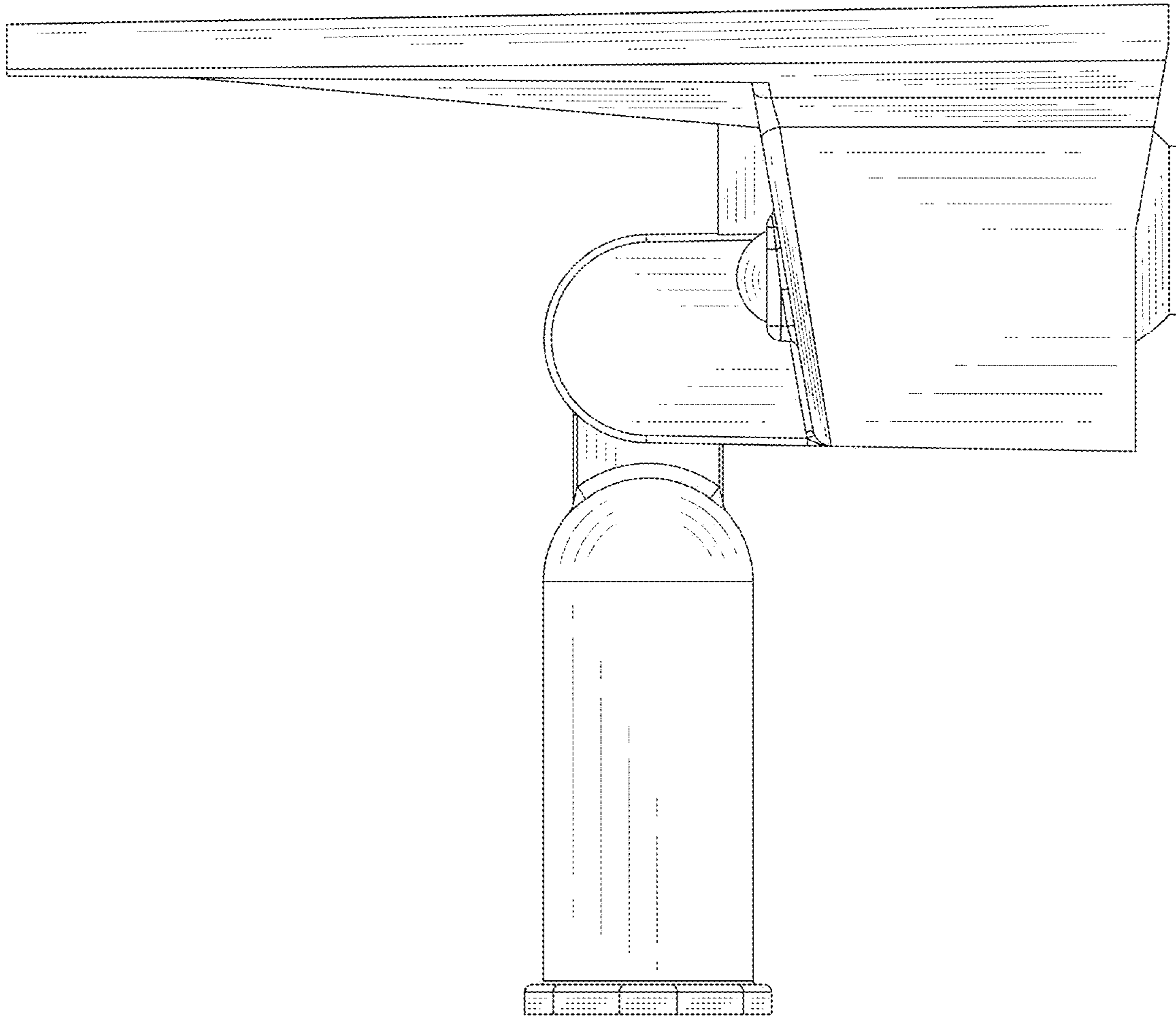


FIG. 4

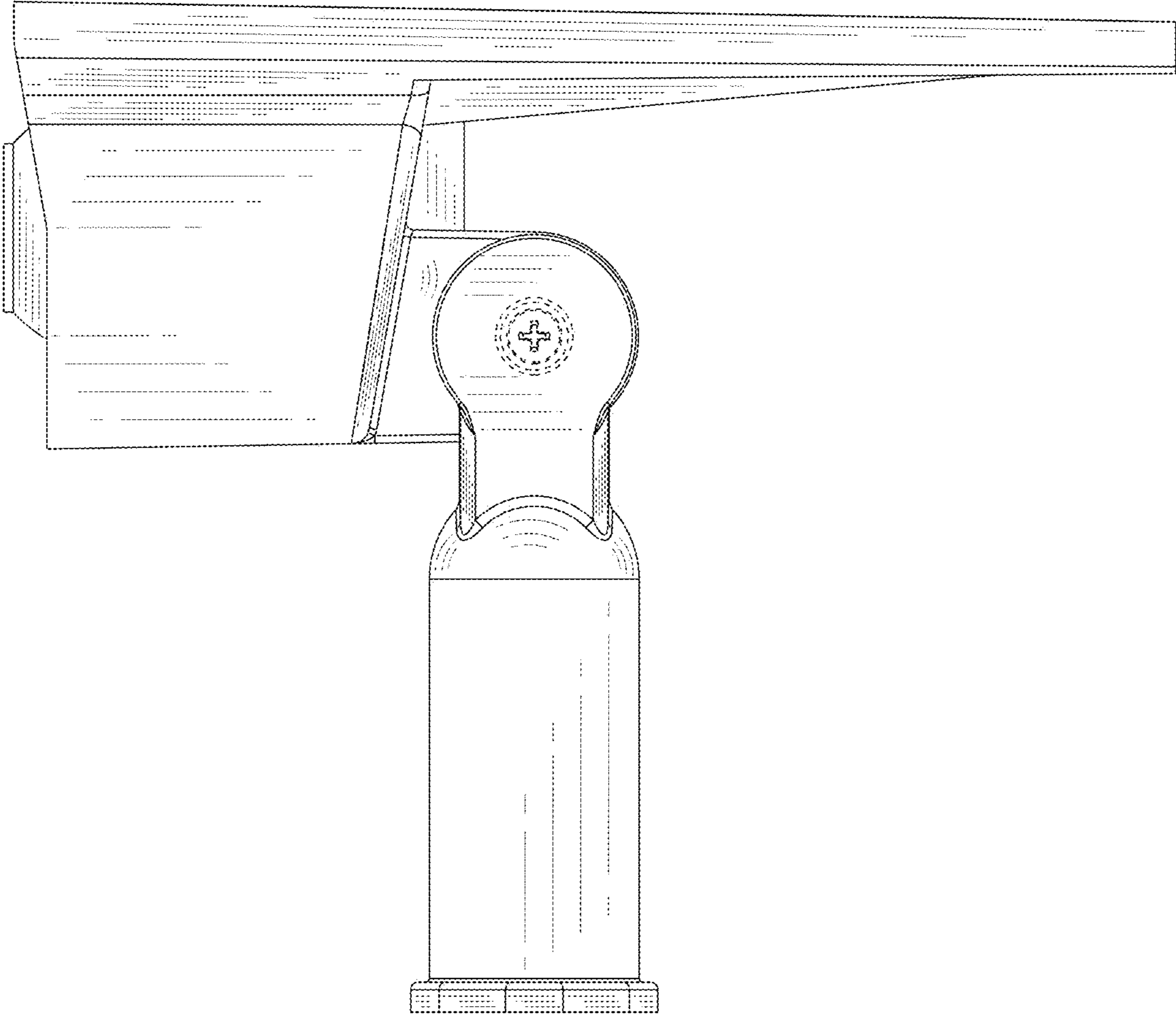


FIG. 5

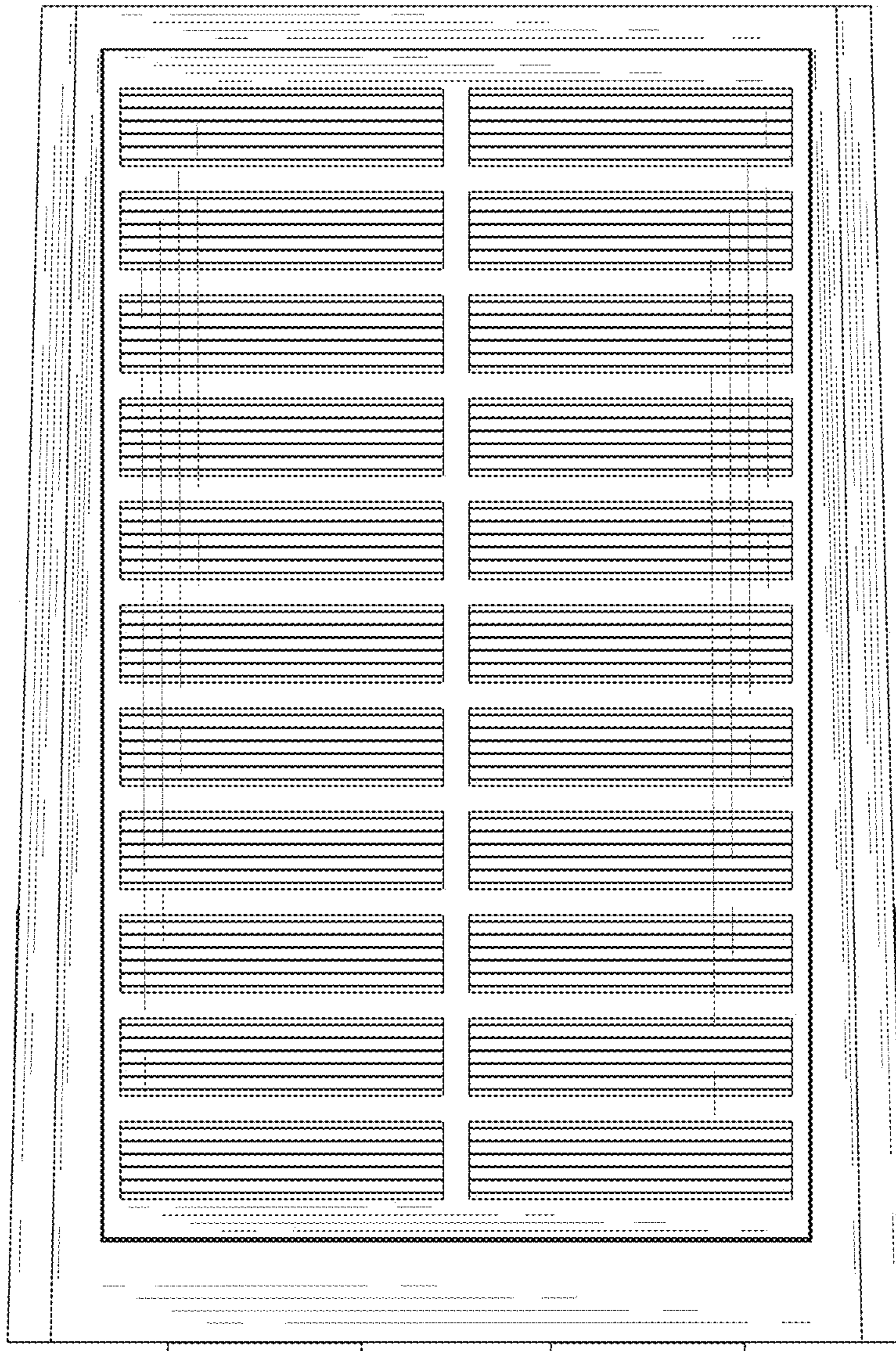


FIG. 6

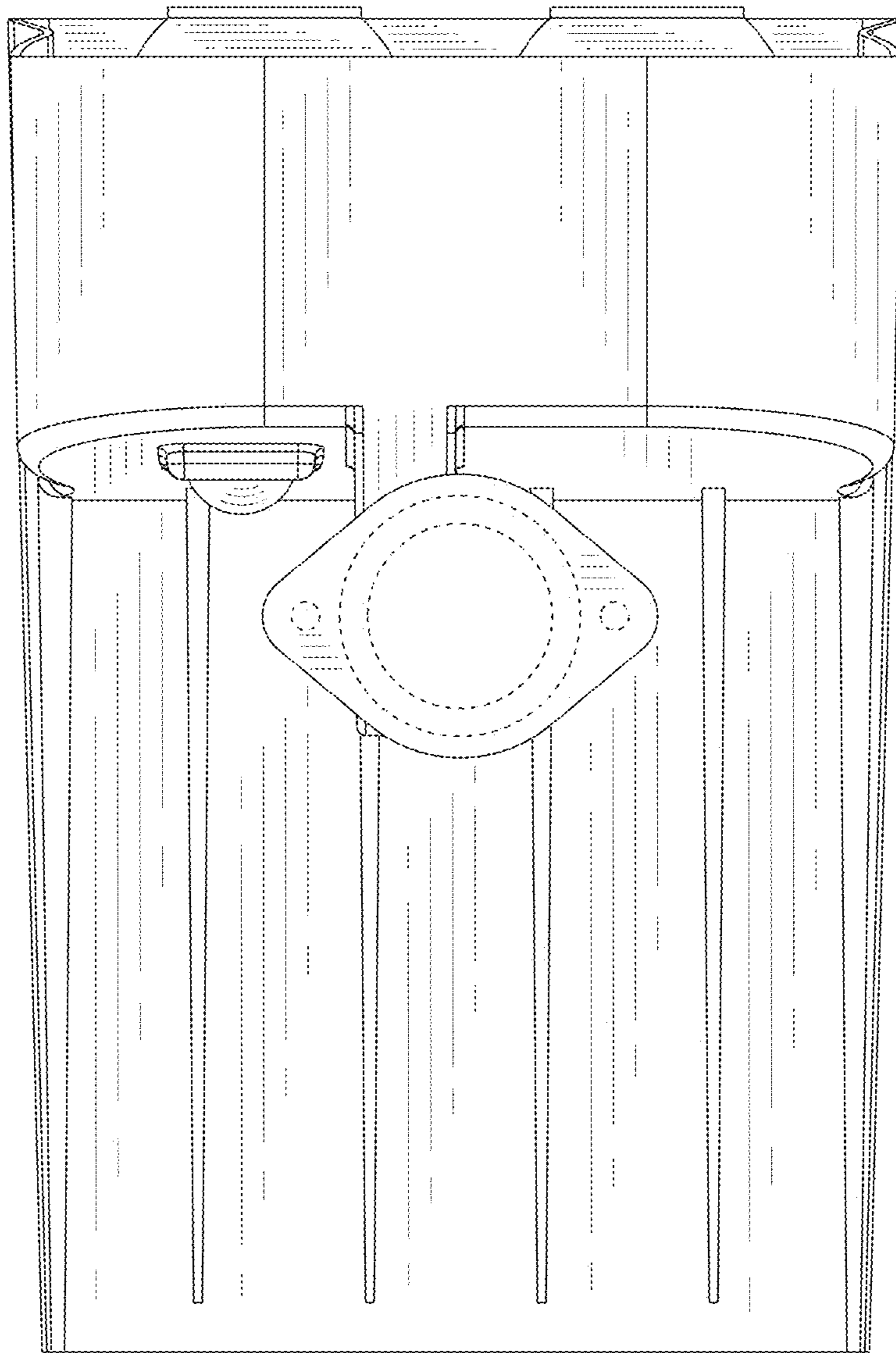


FIG. 7

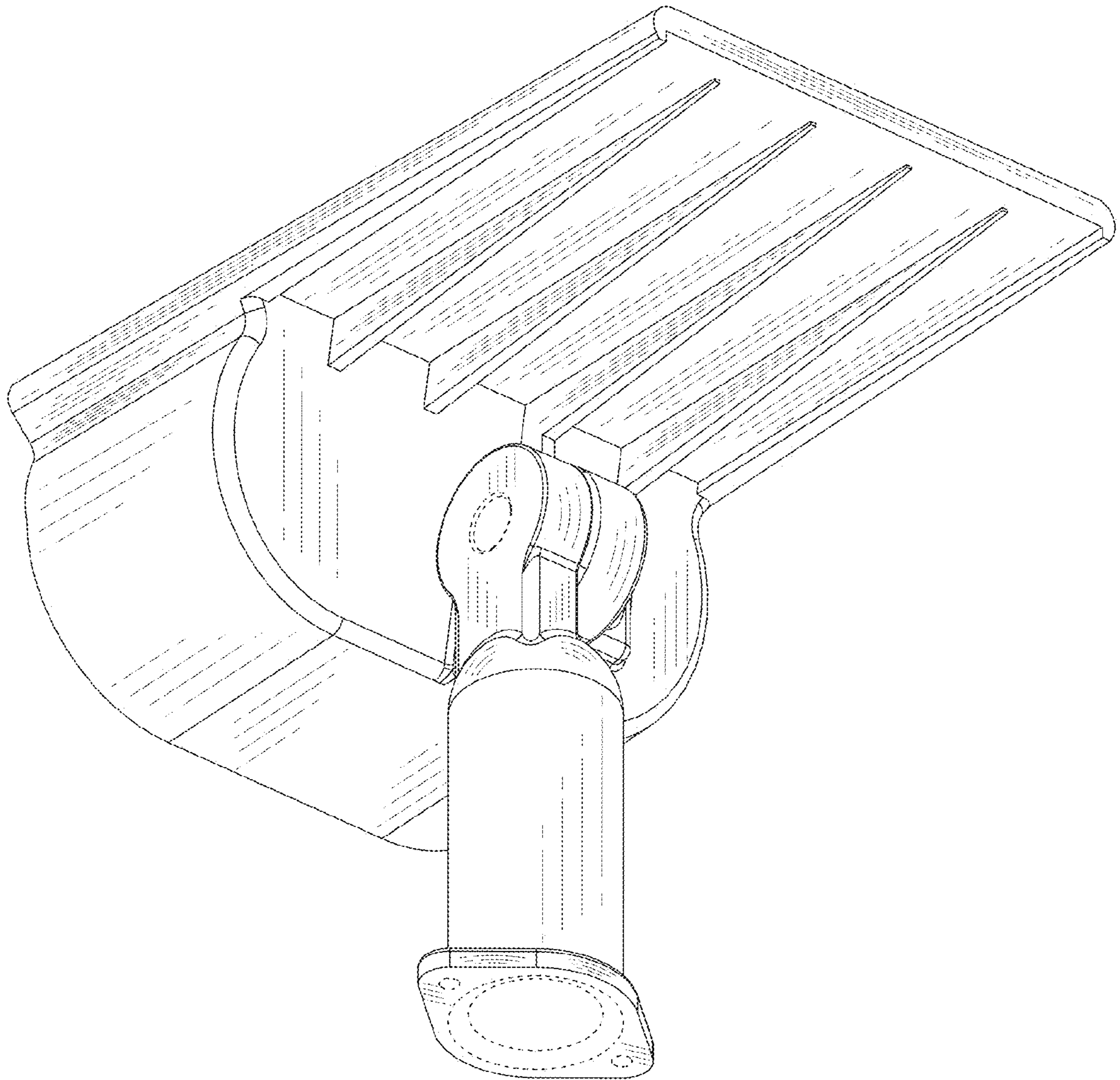


FIG. 8