



US00D986461S

(12) **United States Design Patent**
Fang

(10) **Patent No.:** **US D986,461 S**
(45) **Date of Patent:** **** May 16, 2023**

(54) **WORK LIGHT**
(71) Applicant: **Ningbo Utec Electric Co. Ltd.,**
Zhejiang (CN)
(72) Inventor: **Yi Fang,** Zhejiang (CN)
(73) Assignee: **Ningbo Utec Electric Co. Ltd.,** Yuyao
(CN)

D848,655 S * 5/2019 Fang D26/63
D848,656 S * 5/2019 Fang D26/63
D850,689 S * 6/2019 Harvey F21V 21/06
D26/63
D853,613 S * 7/2019 Lien F21L 4/045
D26/63
10,683,998 B2 * 6/2020 Gall F16M 11/10
10,690,304 B2 * 6/2020 Adams F21S 6/005

(**) Term: **15 Years**
(21) Appl. No.: **29/778,461**
(22) Filed: **Apr. 13, 2021**

(30) **Foreign Application Priority Data**

Jan. 26, 2021 (CN) 202130055971.7
(51) **LOC (14) Cl.** **26-05**
(52) **U.S. Cl.**
USPC **D26/63**
(58) **Field of Classification Search**
USPC D26/24, 61-66, 93, 111
CPC F21V 21/30; F21V 21/06; F21V 21/0965;
F21V 21/145; F21V 21/0885; F21V
23/0414; F21V 21/406; F21V 21/26
See application file for complete search history.

(56) **References Cited**

U.S. PATENT DOCUMENTS

D645,185 S * 9/2011 Chen F21S 6/005
D26/63
8,201,979 B2 * 6/2012 Deighton F16M 11/38
248/177.1
8,262,248 B2 * 9/2012 Wessel F21L 4/045
362/198
9,170,006 B2 * 10/2015 Cugini F21V 21/30
D767,807 S * 9/2016 Zhou D26/65
D770,657 S * 11/2016 Fang D26/63

OTHER PUBLICATIONS

Amazon | Porter-Cable, 4000 Lumen Rechargeable Led Work Lights with Stand . . . , posted on Oct. 16, 2021 © 1996-2022, Amazon.com, Inc. [online], site visited Jan. 8, 2023. Available from Internet, <URL: <https://www.amazon.com/PORTER-CABLE-10000LM-Work-Light/dp/B09X2DJ6N3>> (Year: 2021).*

* cited by examiner

Primary Examiner — Cary M Robinson
Assistant Examiner — Julie Marie Bailey
(74) *Attorney, Agent, or Firm* — Raymond Sun

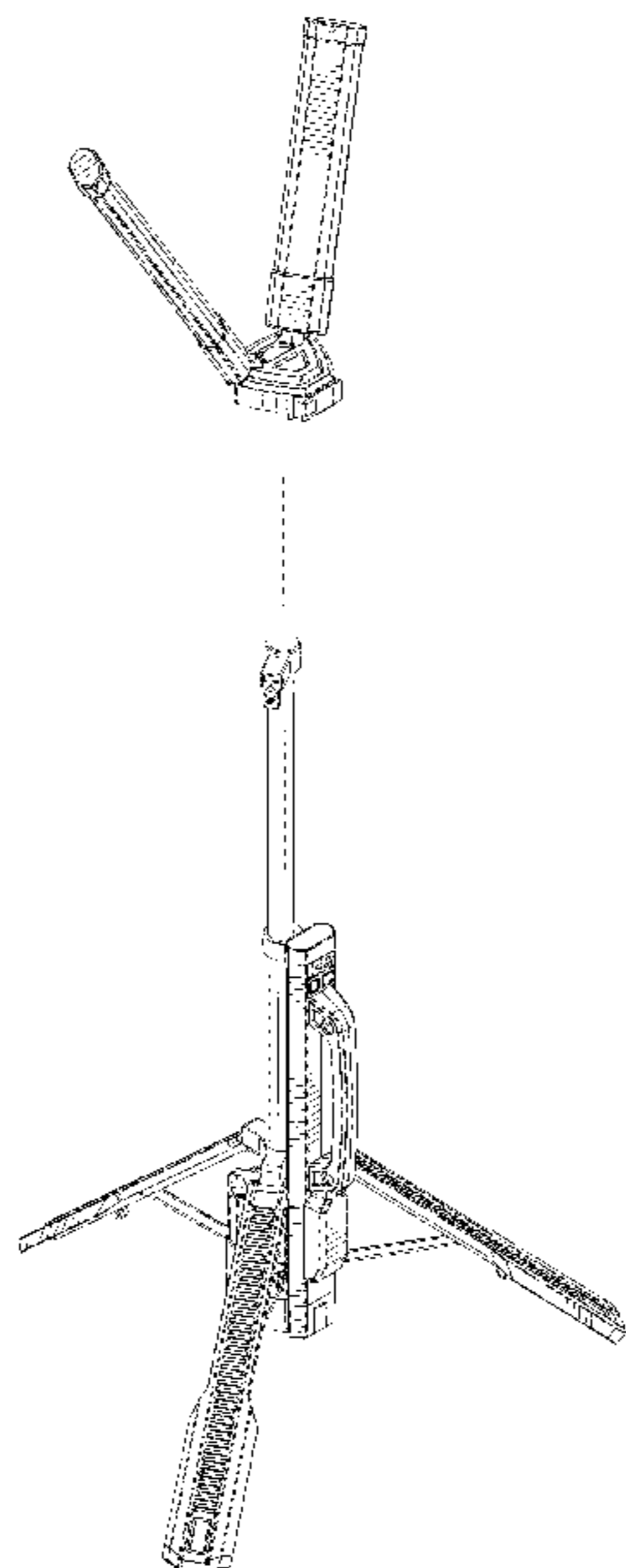
(57) **CLAIM**

The ornamental design for a work light, as shown and described.

DESCRIPTION

FIG. 1 is a top perspective view of a work light showing my new design.
FIG. 2 is another top perspective view thereof.
FIG. 3 is a bottom perspective view thereof.
FIG. 4 is another bottom perspective view thereof.
FIG. 5 is a front view thereof.
FIG. 6 is a rear view thereof.
FIG. 7 is a left view thereof.
FIG. 8 is a right view thereof.
FIG. 9 is a top view thereof; and,
FIG. 10 is a bottom view thereof.

1 Claim, 10 Drawing Sheets



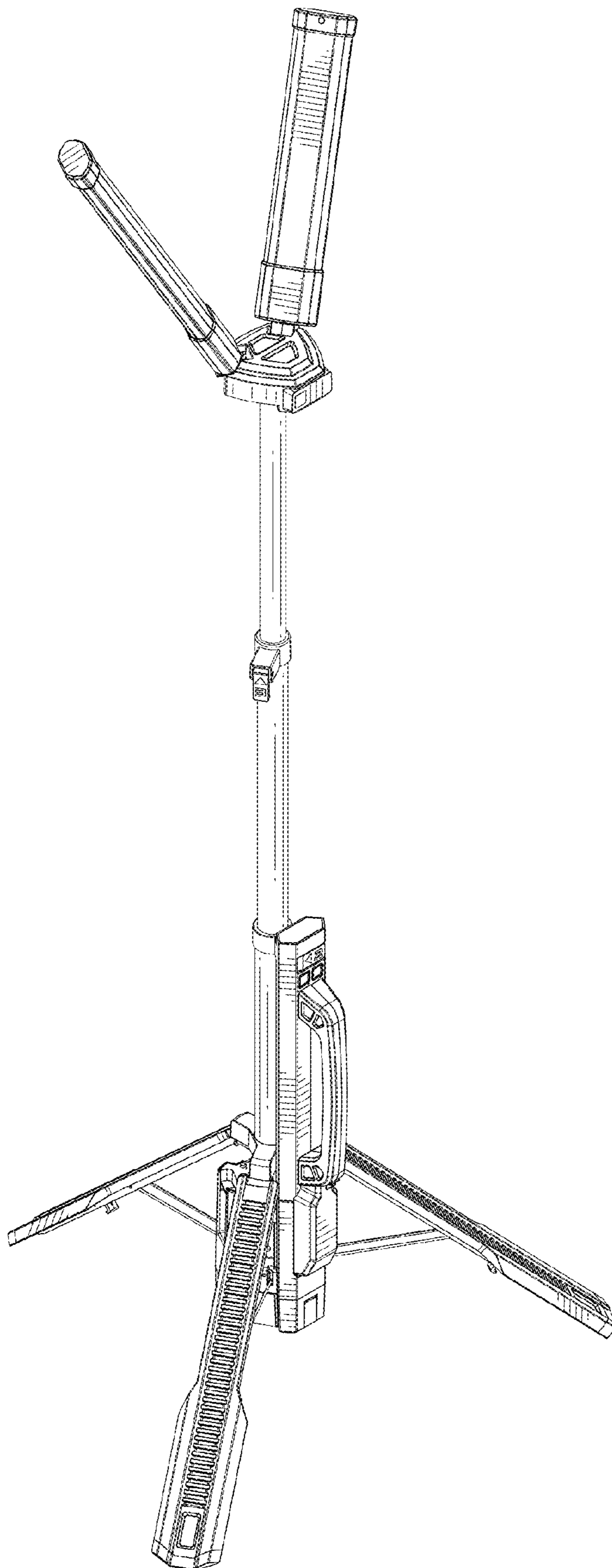


FIG. 1

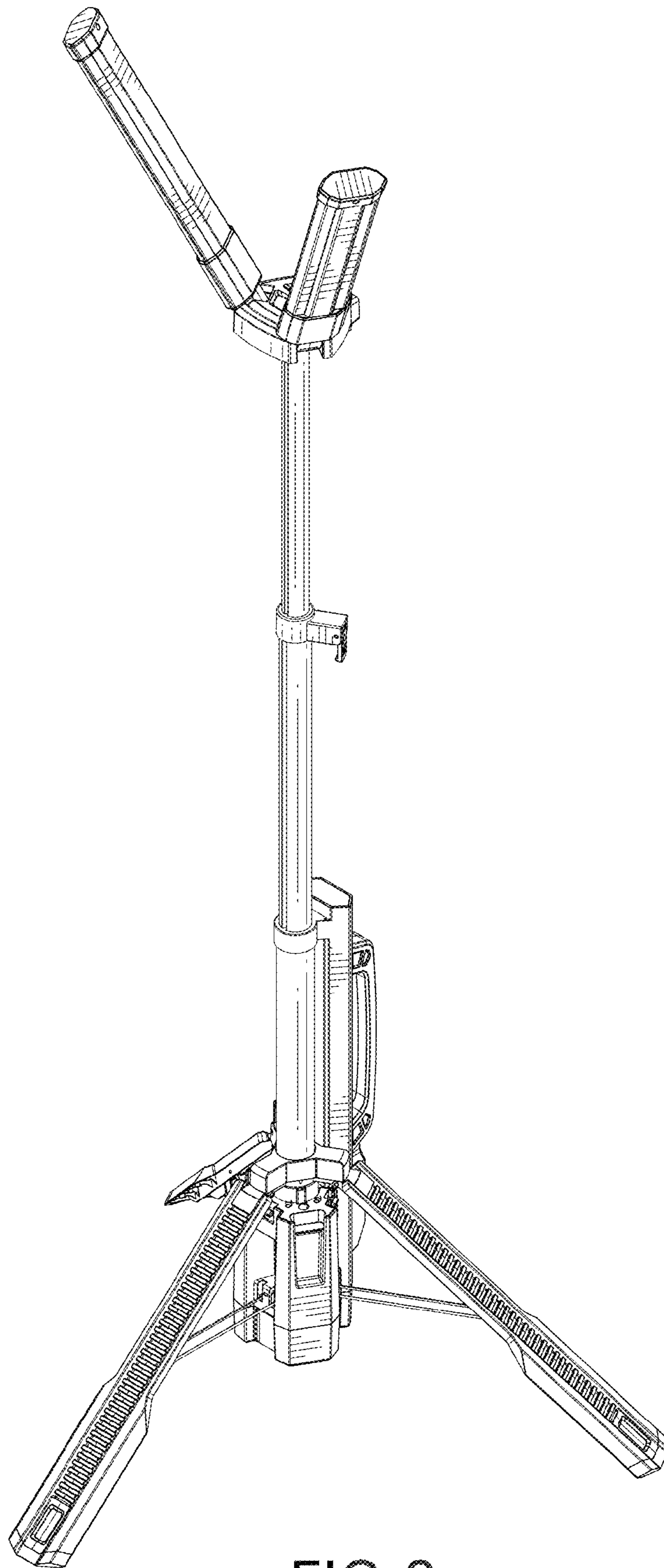


FIG. 2

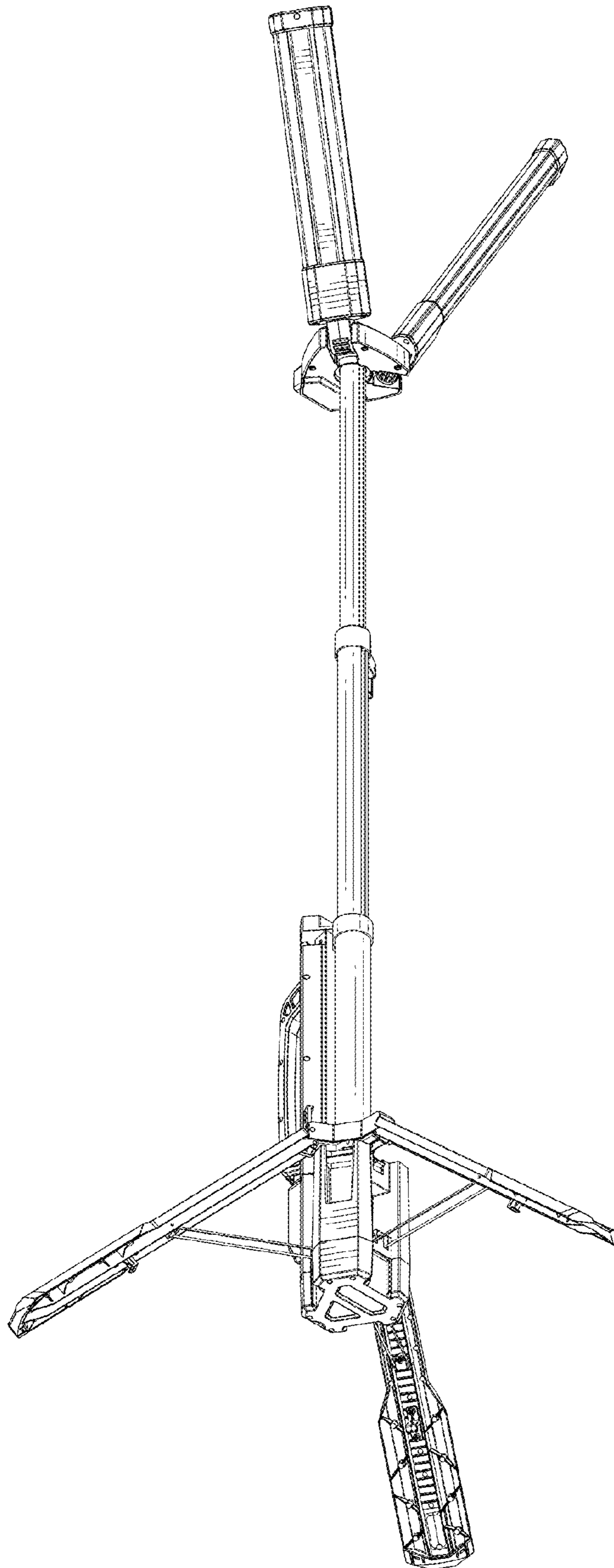


FIG.3

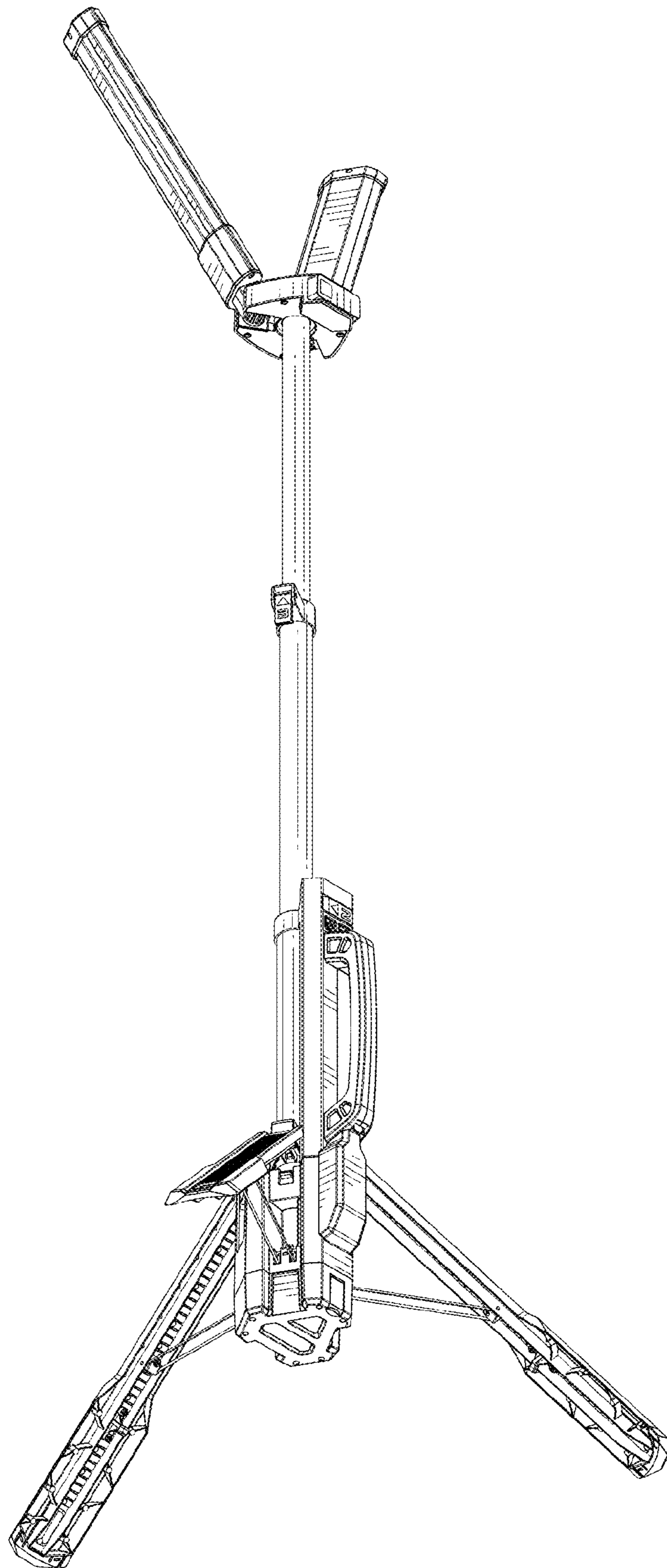


FIG.4

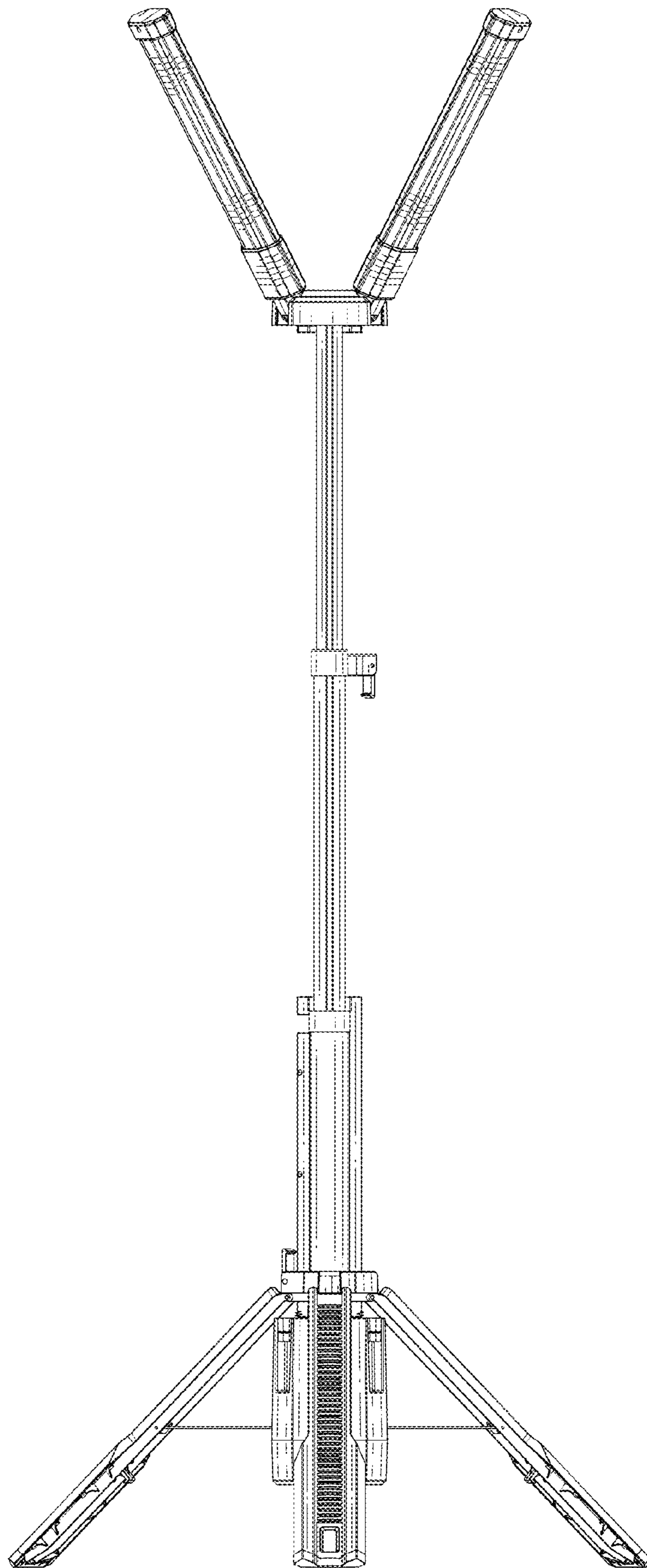


FIG. 5

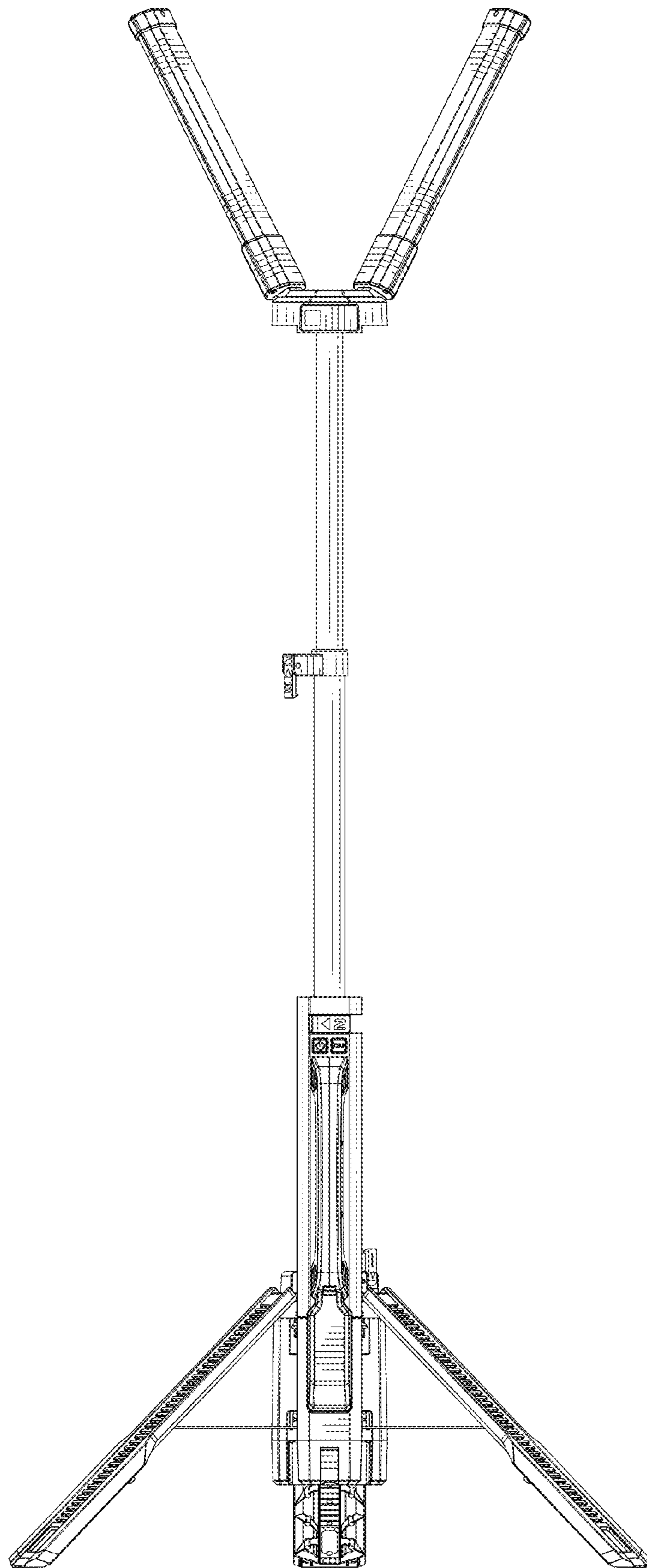


FIG. 6

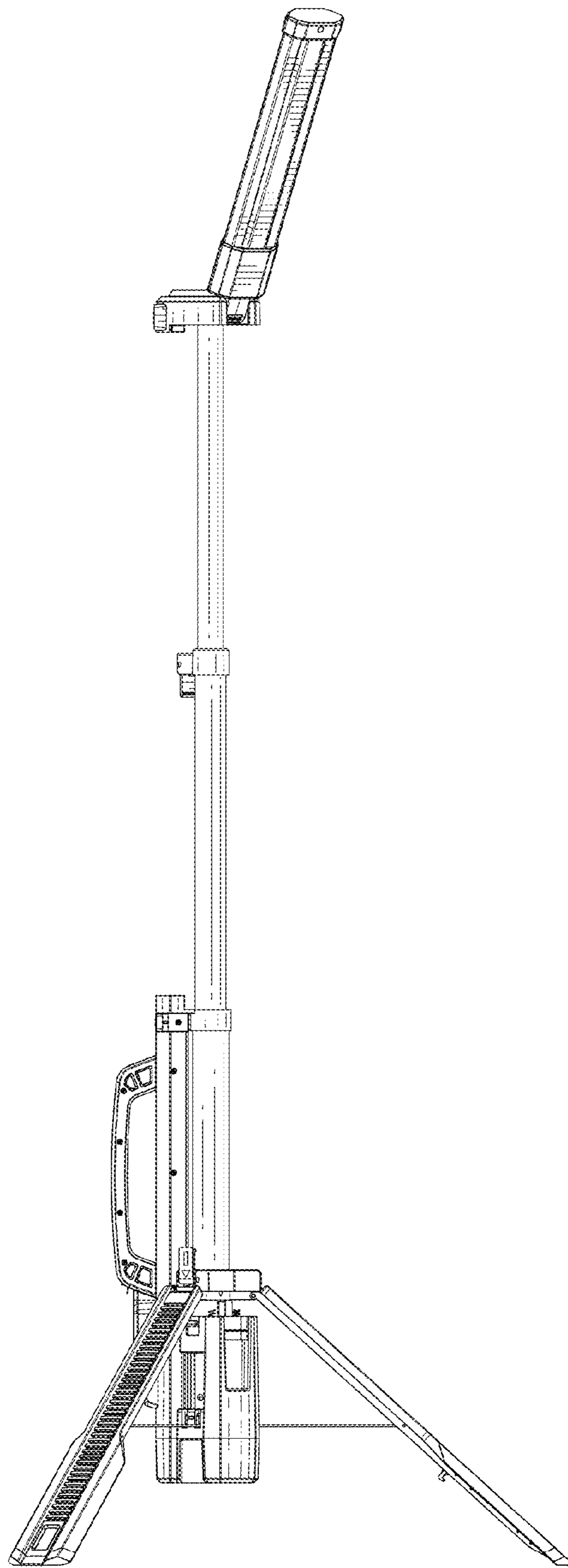


FIG. 7

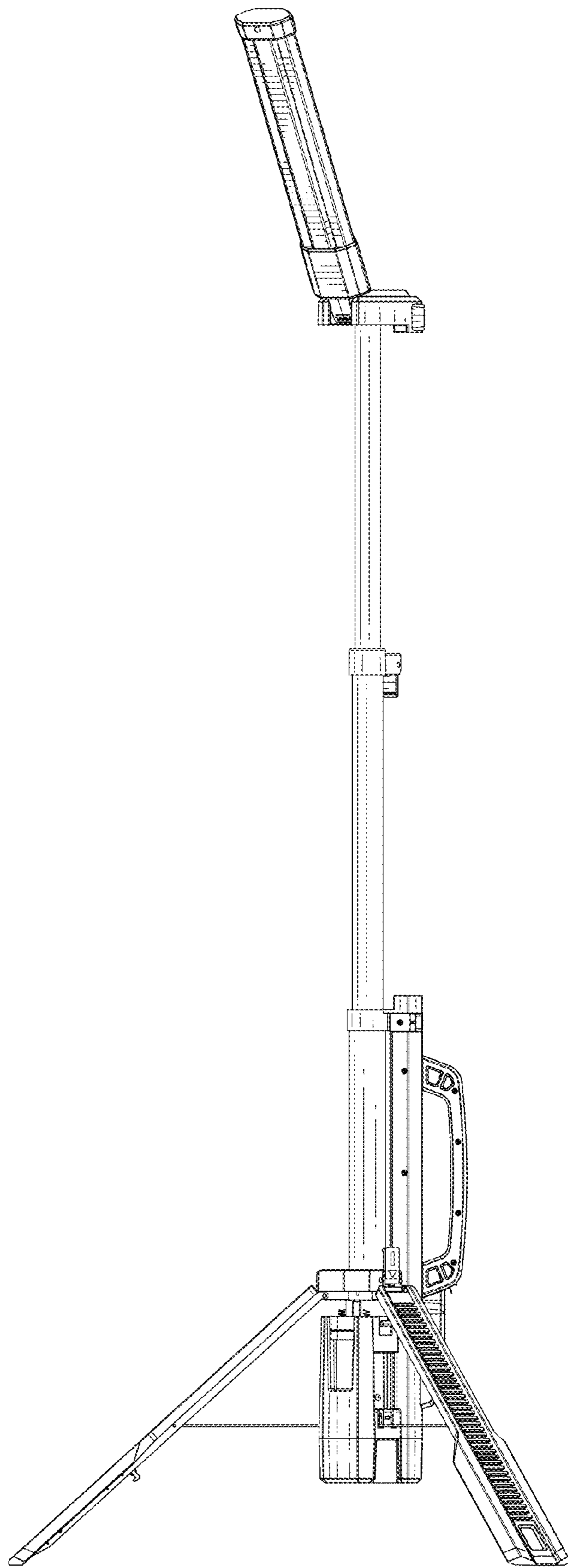


FIG. 8

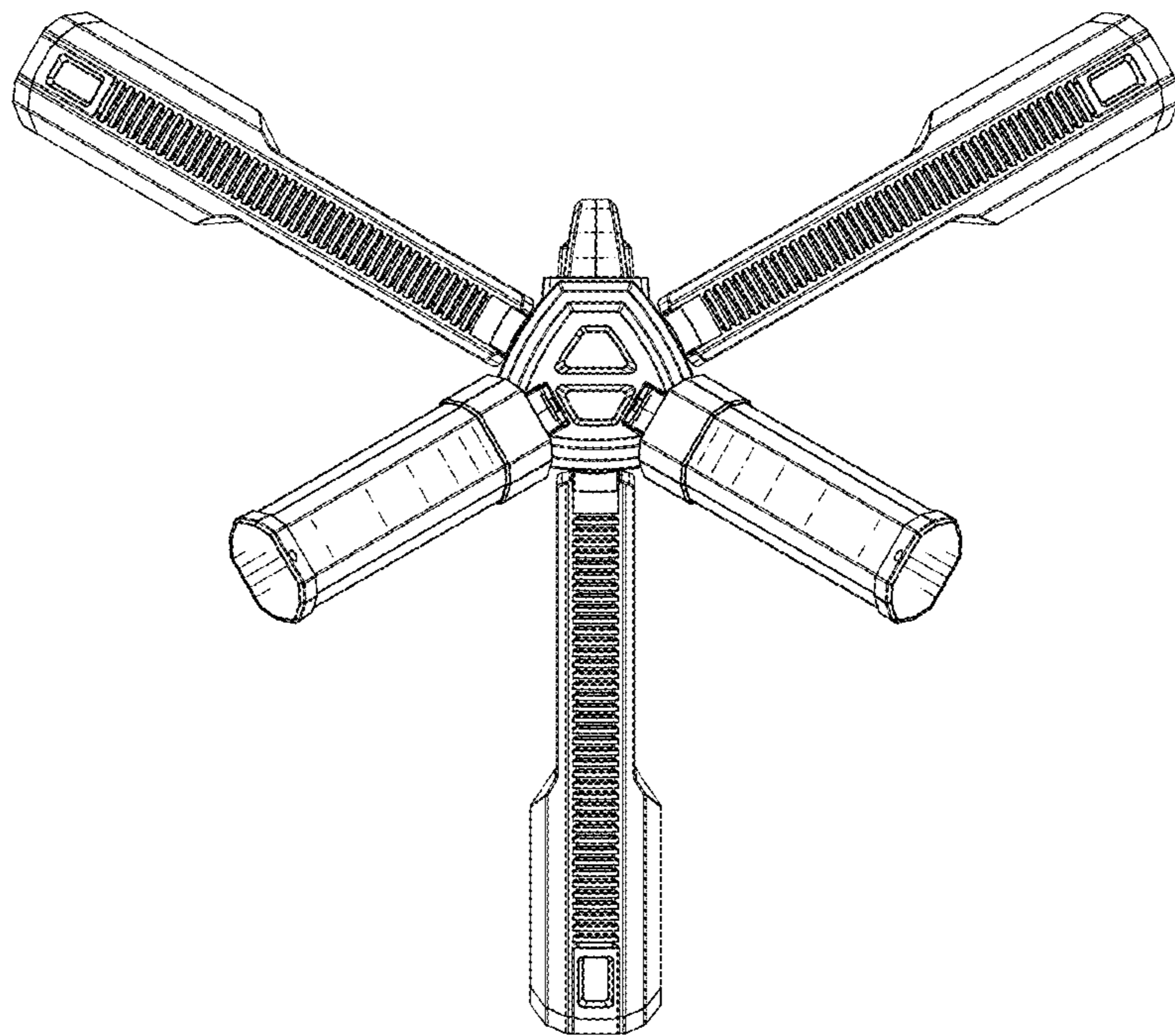


FIG. 9

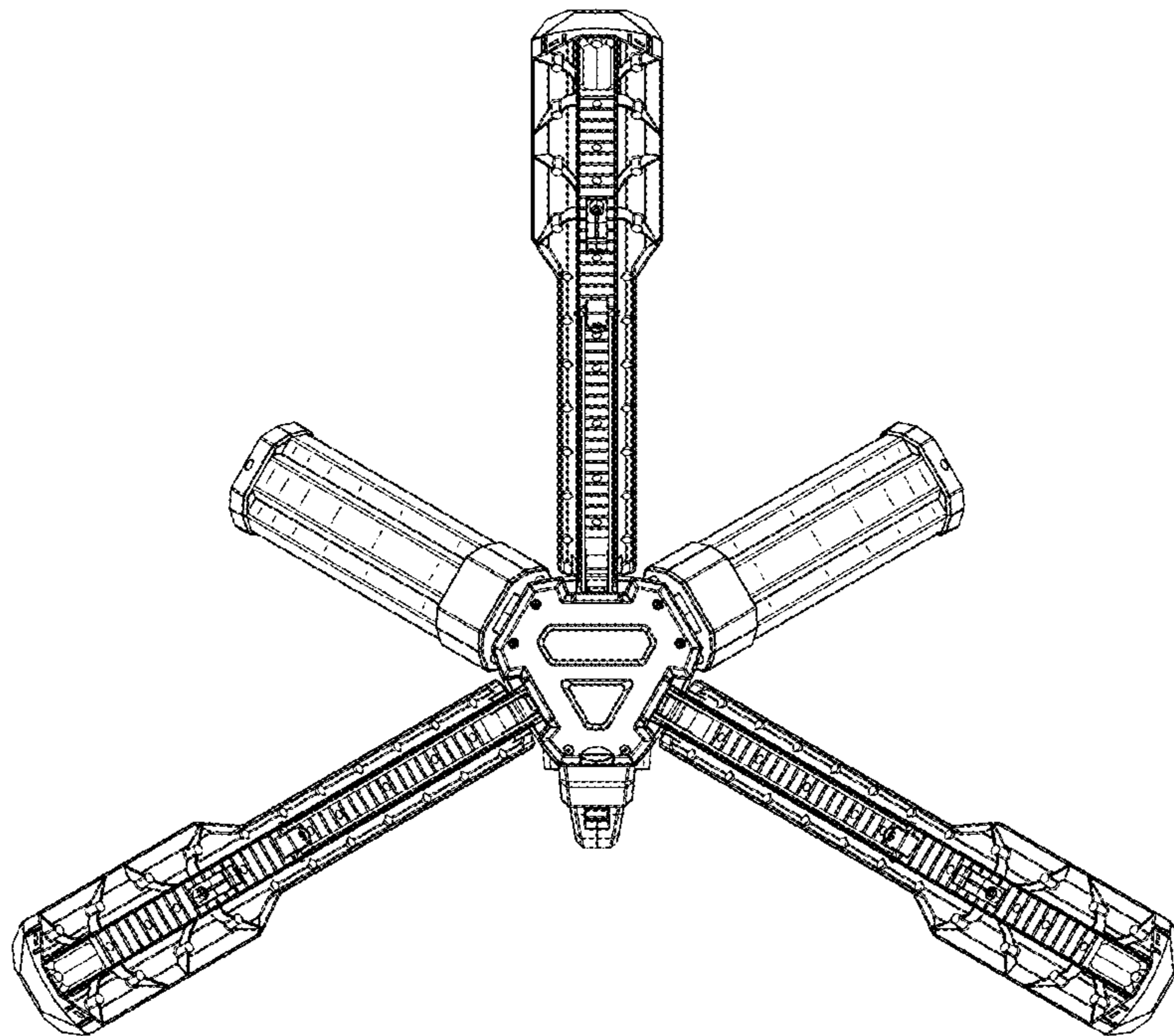


FIG. 10