



US00D986460S

(12) **United States Design Patent** (10) **Patent No.:** **US D986,460 S**
Guo (45) **Date of Patent:** **** May 16, 2023**

(54) **LIGHT MOUNT**

(71) Applicant: **Kexian Guo**, Shenzhen (CN)

(72) Inventor: **Kexian Guo**, Shenzhen (CN)

(**) Term: **15 Years**

(21) Appl. No.: **29/881,135**

(22) Filed: **Dec. 28, 2022**

(51) **LOC (14) Cl.** **26-05**

(52) **U.S. Cl.**

USPC **D26/60**; D26/138; D8/395

(58) **Field of Classification Search**

USPC D26/24, 25, 51, 60, 61, 72, 92, 113, 138,
D26/142; D8/349, 382, 394, 395

CPC F21V 21/00; F21V 21/08; F21V 21/088;
F21V 21/14; F21W 2121/00; F21W
2121/004; F21W 2121/04

See application file for complete search history.

(56) **References Cited**

U.S. PATENT DOCUMENTS

1,895,656	A *	1/1933	Gadke	A47G 33/105 24/339
D297,616	S *	9/1988	Doty	D8/395
D317,252	S *	6/1991	Rumpel	D8/395
D319,575	S *	9/1991	Young	D8/395
D376,535	S *	12/1996	Gary	D8/395
5,607,230	A *	3/1997	Protz, Jr.	F21V 21/088 362/396
D402,396	S *	12/1998	Protz, Jr.	D8/395
D414,291	S *	9/1999	Gary	D8/395
D427,510	S *	7/2000	Gary	D8/367
D429,023	S *	8/2000	Hughes	D26/138
D430,699	S *	9/2000	Coleman, Jr.	D8/395
D435,684	S *	12/2000	Gary	D8/395
D440,005	S *	4/2001	Blanton	24/3.12
D460,912	S *	7/2002	Gary	D8/395
D482,489	S *	11/2003	Gary	D8/395

(Continued)

OTHER PUBLICATIONS

Outdoor String Light Clips, posted at Amazon, date first available Sep. 27, 2020. Site visited Jan. 23, 2023. Available from internet, URL: https://www.amazon.ca/dp/B089XXN4R9/ref=sspa_dk_detail_4? (Year: 2020).*

(Continued)

Primary Examiner — Samantha Wood

Assistant Examiner — Vanessa Martinez

(74) *Attorney, Agent, or Firm* — Daniel M. Cohn;

Howard M. Cohn

(57) **CLAIM**

The ornamental design for a light mount, as shown and described.

DESCRIPTION

FIG. 1 is a perspective view of a light mount showing my new design;

FIG. 2 is another perspective view thereof;

FIG. 3 is a front elevational view thereof;

FIG. 4 is a rear elevational view thereof;

FIG. 5 is a left side elevational view thereof;

FIG. 6 is a right side elevational view thereof;

FIG. 7 is a top plan view thereof;

FIG. 8 is a bottom plan view thereof;

FIG. 9 is a perspective view of the light mount where the light mount is in a configuration of use; and,

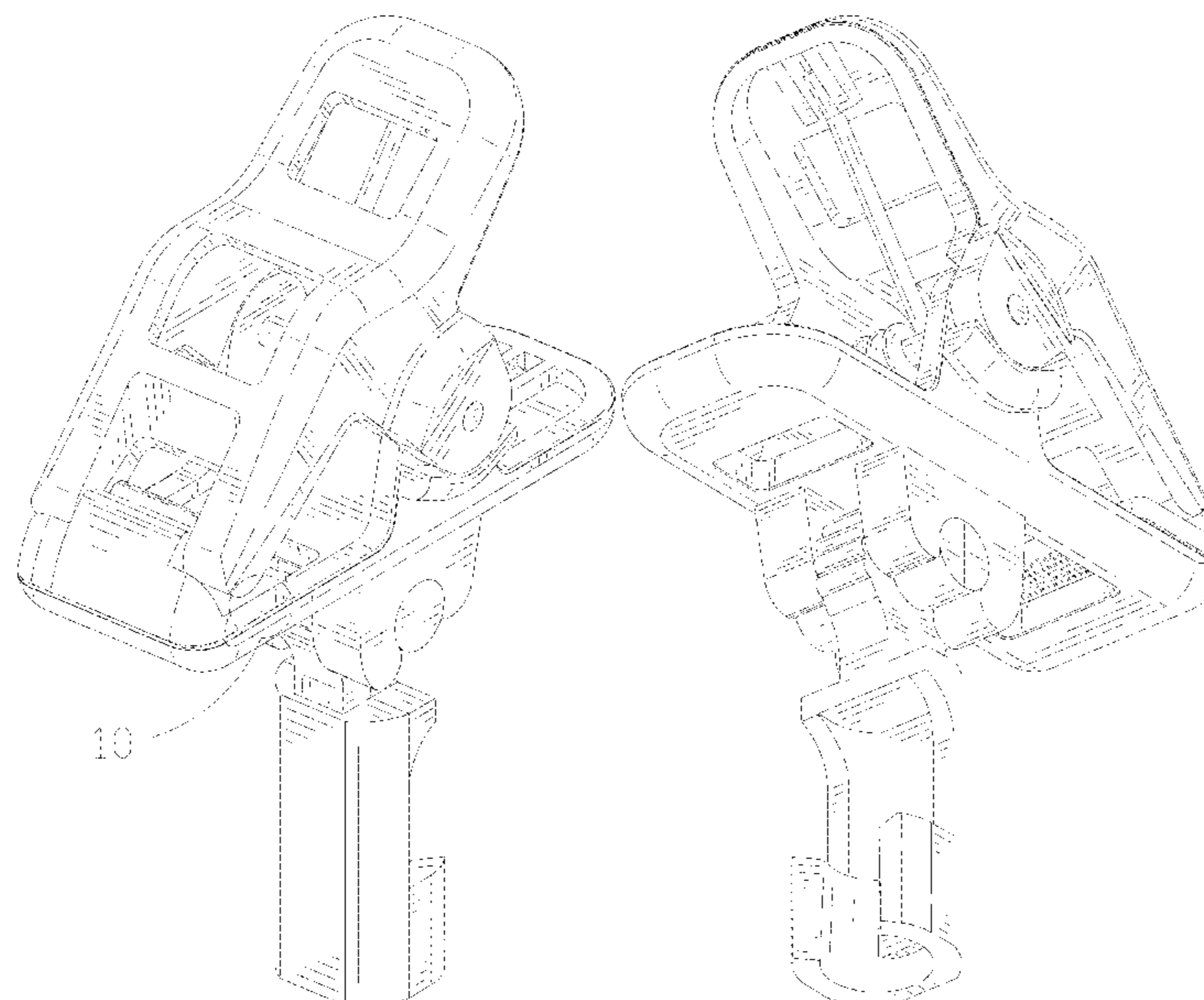
FIG. 10 is an enlarged view of portion 10 shown in FIG. 1.

The dash-dash broken lines in the drawings depict portions of the light mount that form no part of the claimed design.

The dot-dash broken lines represent boundaries of the enlarged portion and form no part of the claimed design.

The broken lines in FIG. 9 showing light mount depict environment and form no part of the claimed design.

1 Claim, 10 Drawing Sheets



(56)

References Cited

U.S. PATENT DOCUMENTS

D494,849 S * 8/2004 Jones D8/395
D671,826 S * 12/2012 Adams, IV D8/395
D682,464 S * 5/2013 Gary D26/142
D751,377 S * 3/2016 Duffy D8/395
D799,314 S * 10/2017 Adams, IV D8/395
D820,938 S 6/2018 Pittman
D856,791 S * 8/2019 Limber D8/395
D885,509 S 5/2020 Pittman
D909,194 S * 2/2021 Felt D8/395
D939,335 S * 12/2021 Kennedy D8/395
D968,209 S * 11/2022 Xu D8/395
2013/0148366 A1 * 6/2013 Adams, IV F21V 21/088
362/396
2018/0017240 A1 * 1/2018 Schreiber F21S 4/10

OTHER PUBLICATIONS

Christmas Light Clips, posted at Amazon, date first available Oct. 24, 2021. Site visited Jan. 23, 2023. Available from internet, URL: https://www.amazon.com/dp/B09HSCG72R/ref=sspa_dk_detail_4? (Year: 2021).*

C9 LED multicolor Christmas Lights, posted at Amazon, date first available Jun. 28, 2022. Site visited Jan. 26, 2023. Available from internet, URL: <https://www.amazon.com/Multicolor-Waterproof-Strawberry-Commercial-Extendable/dp/B0B59FTVML/ref?th=1> (Year: 2022).*

Noma LED Quick Clip, posted at Amazon, date first available Nov. 6, 2019. Site visited Feb. 3, 2023. Available from internet, URL: https://www.amazon.com/dp/B07VDGLP1C?ref_=cm_sw_r_cp_ud_dp_V95GTBFR638F702MWRHV (Year: 2019).*

* cited by examiner

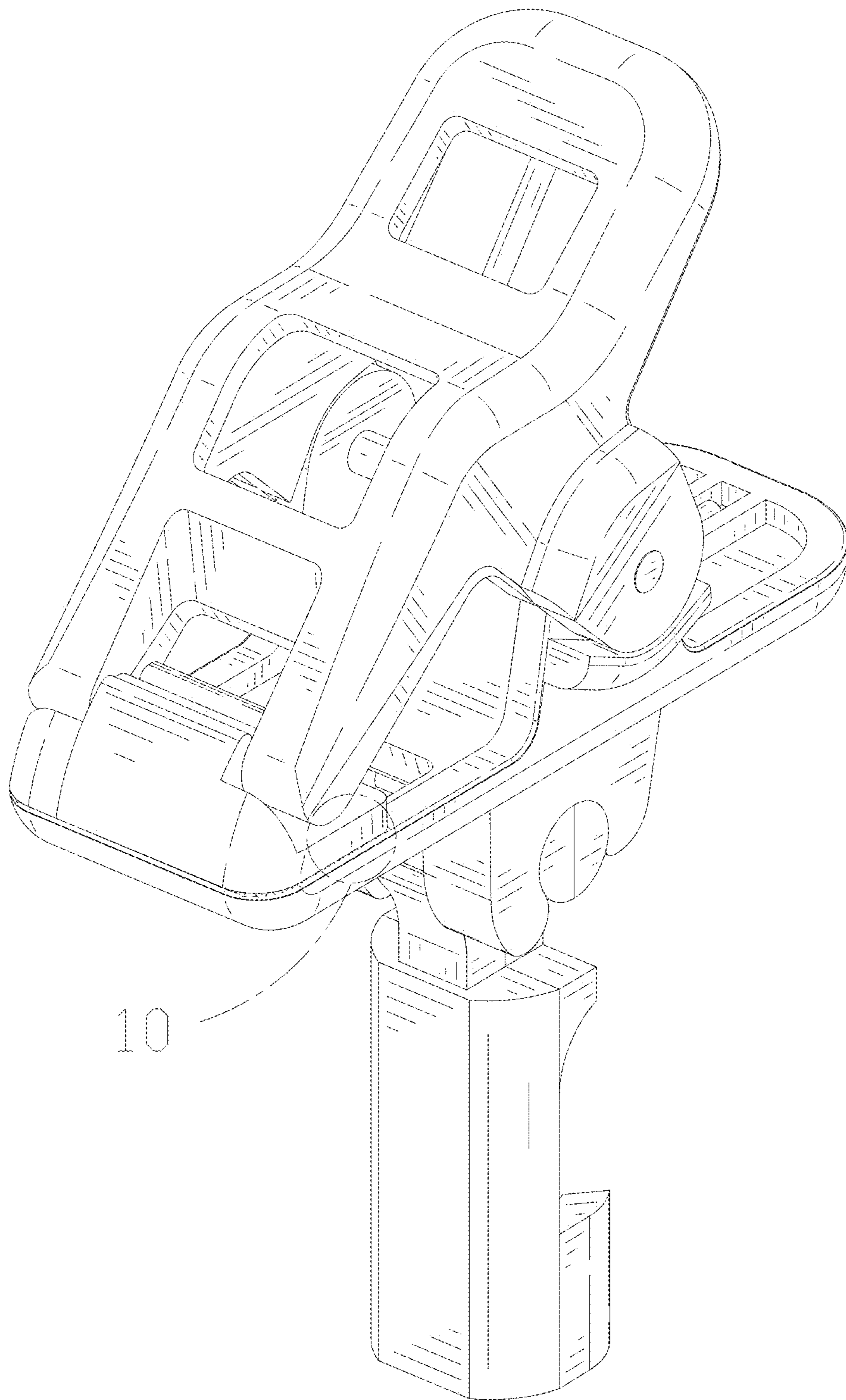


FIG. 1

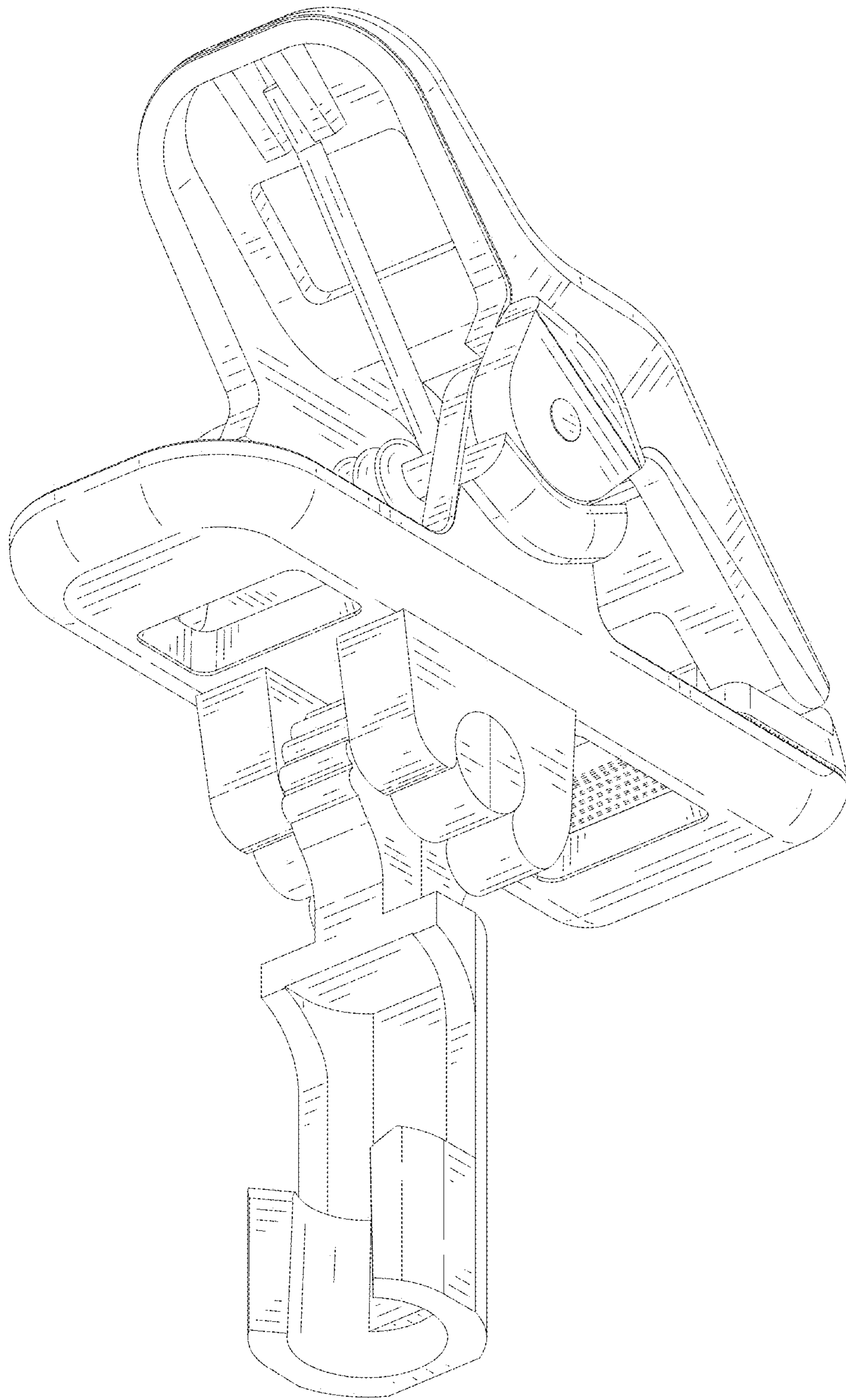


FIG. 2

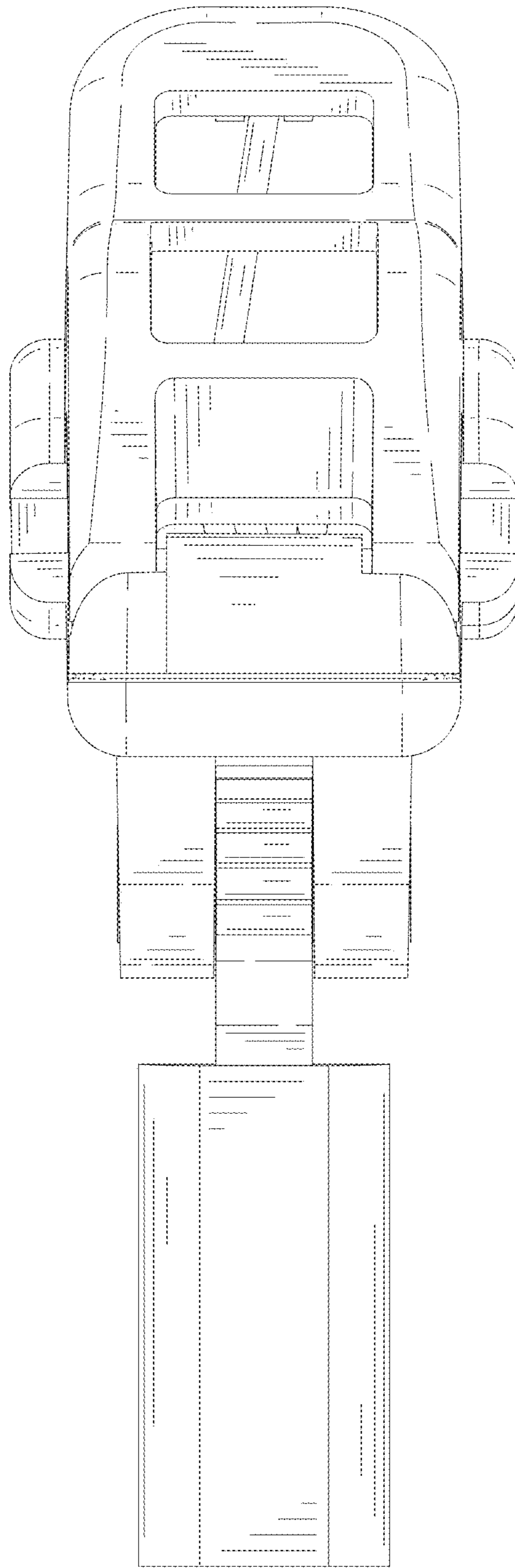


FIG. 3

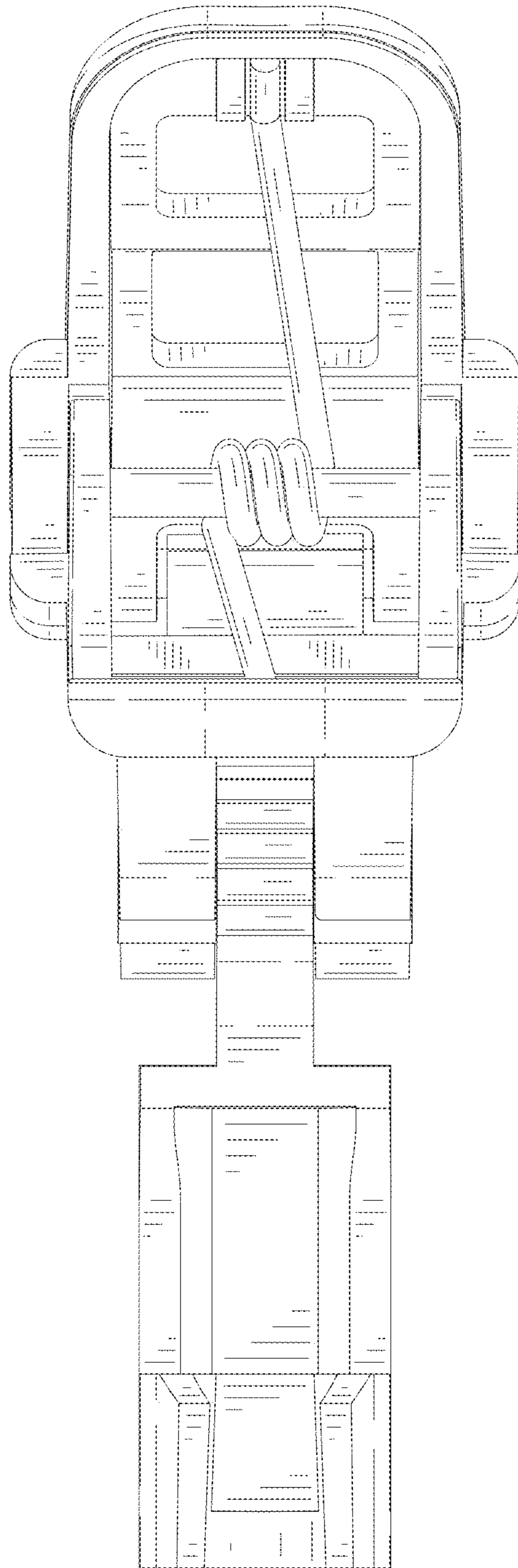


FIG. 4

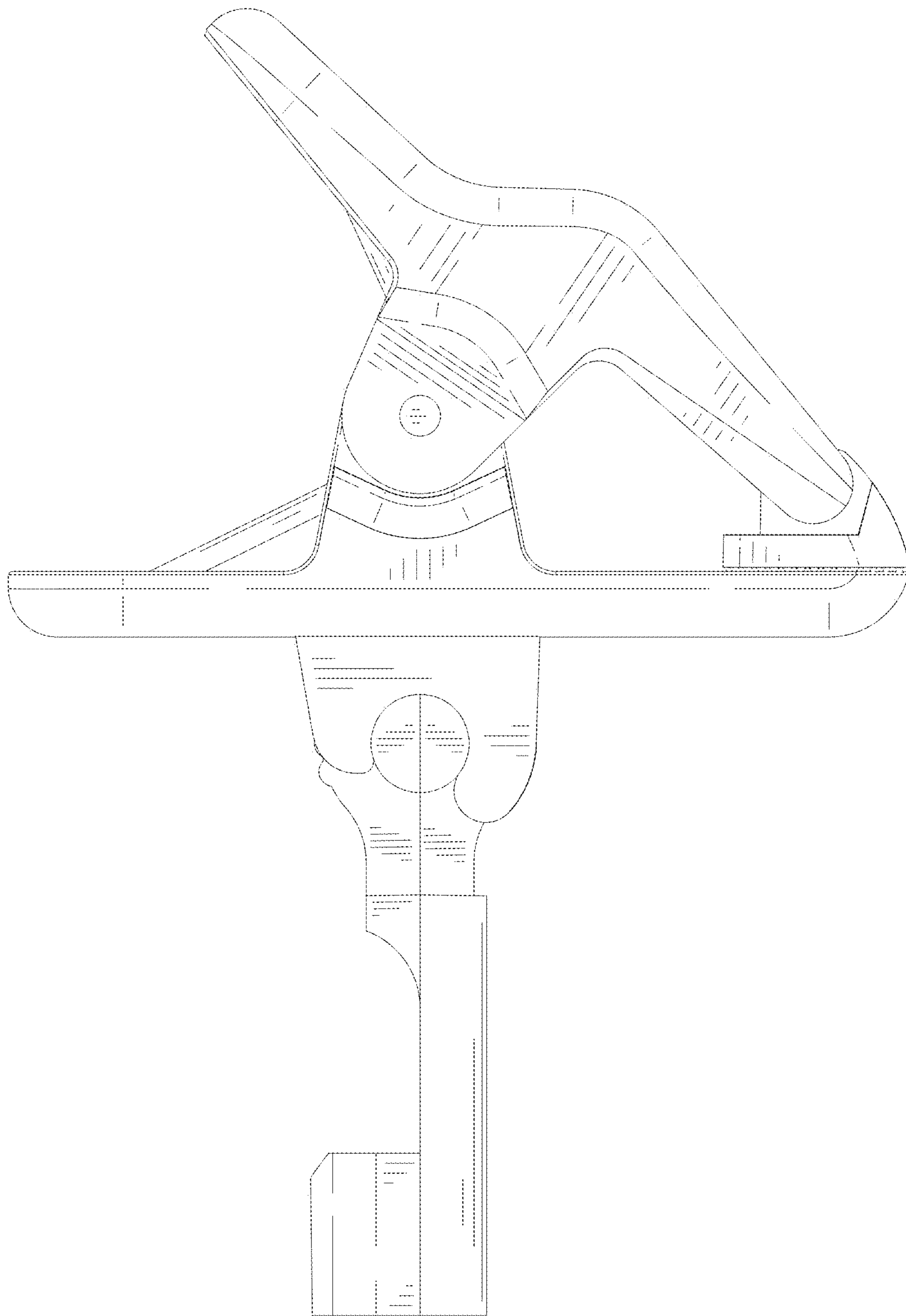


FIG. 5

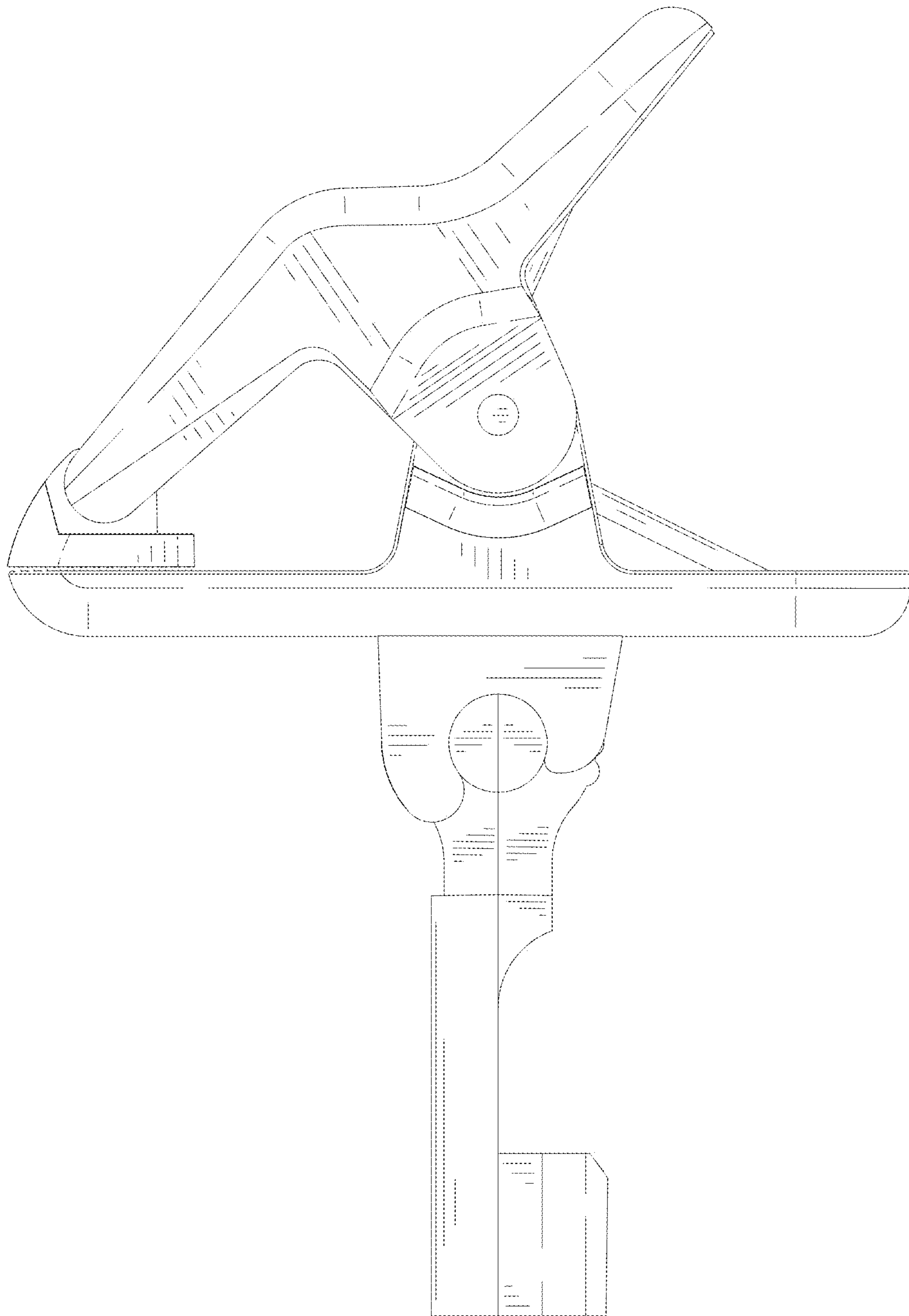


FIG. 6

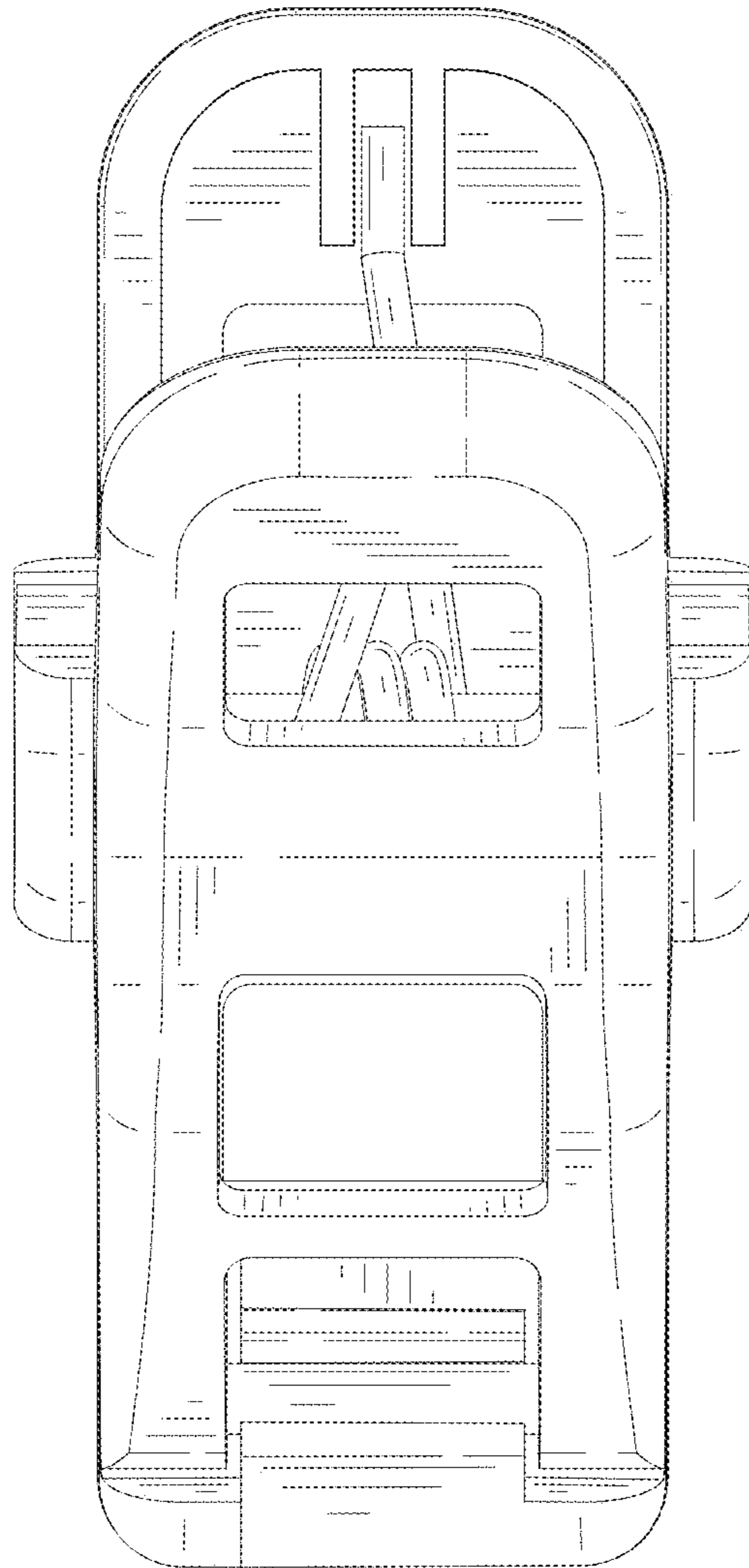


FIG. 7

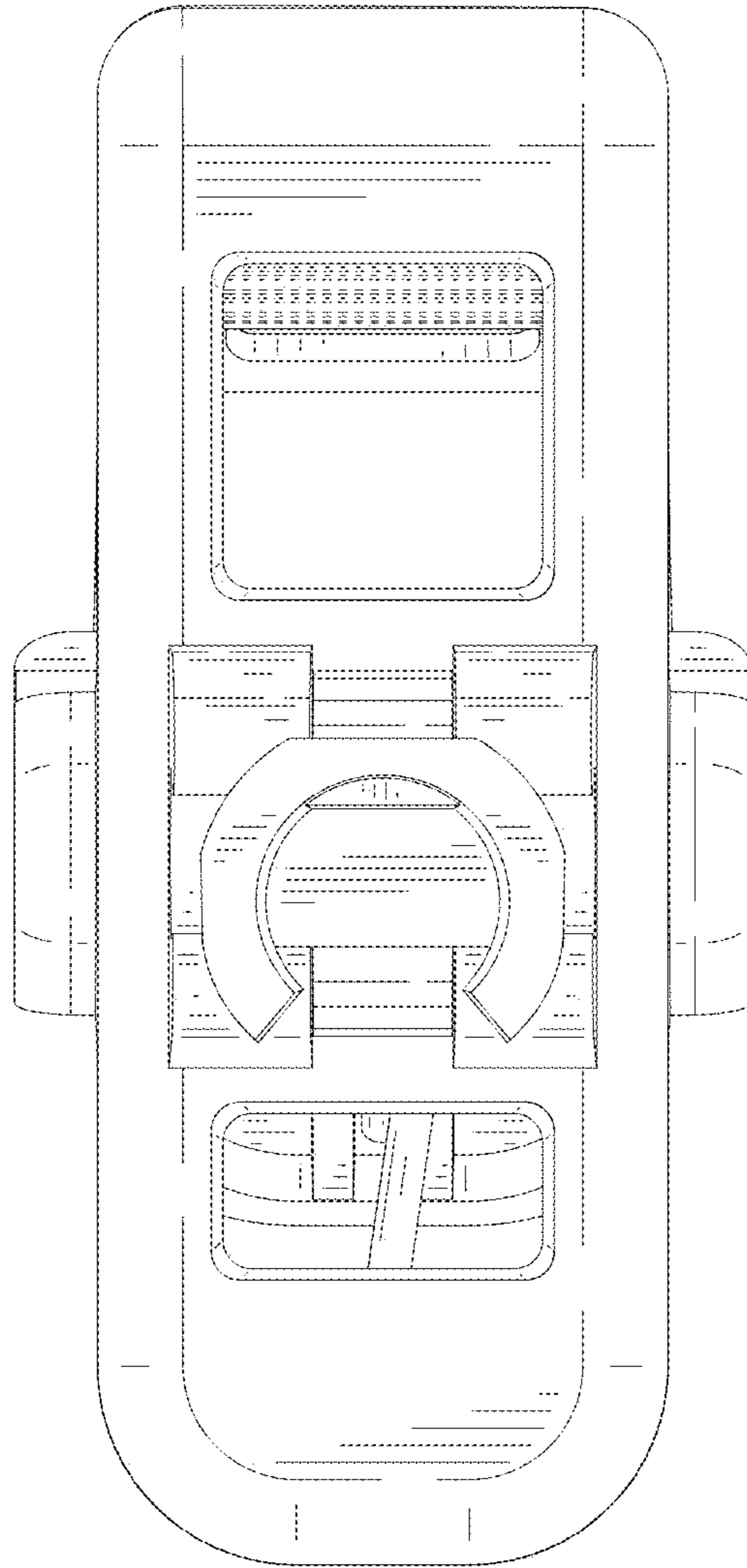


FIG. 8

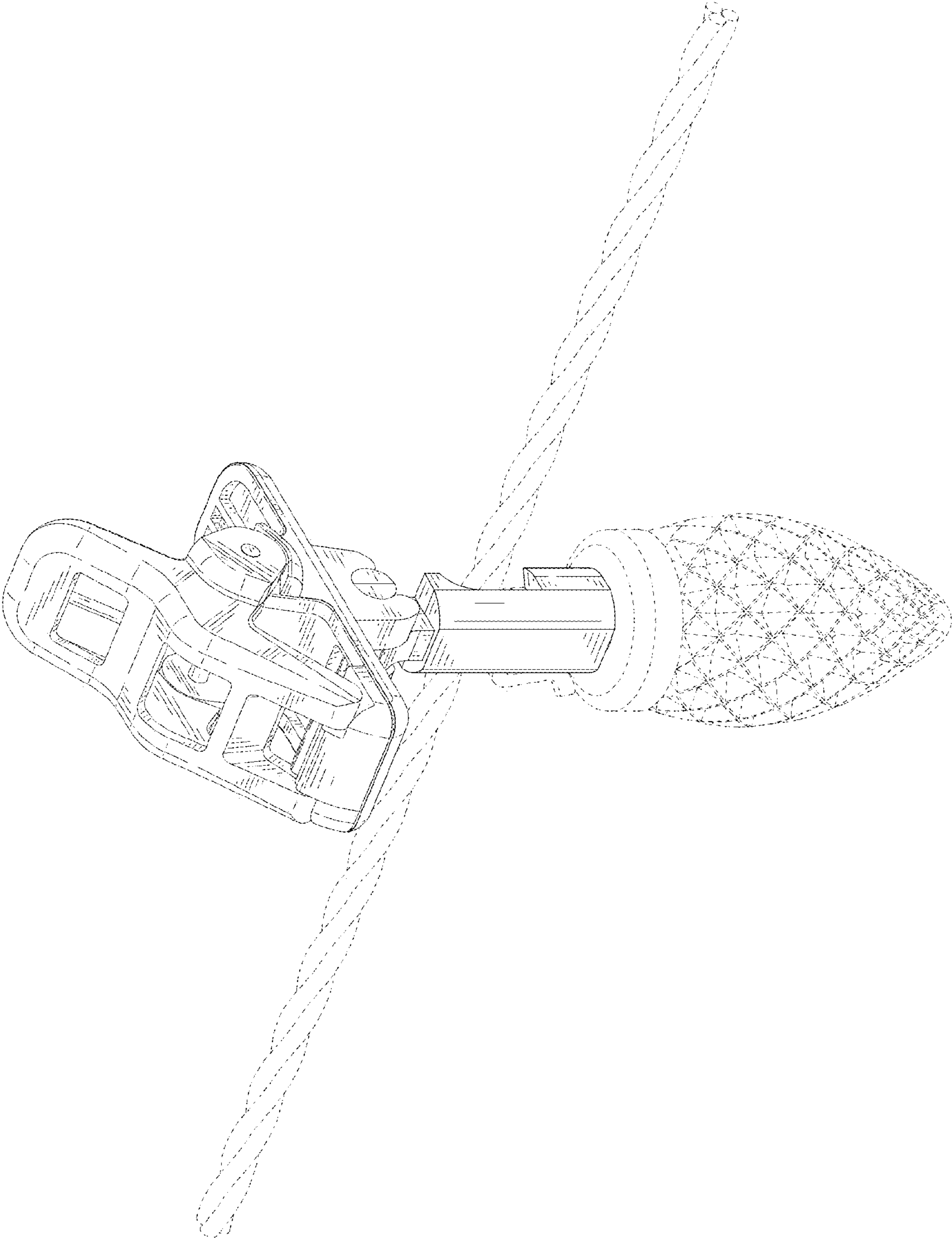


FIG. 9

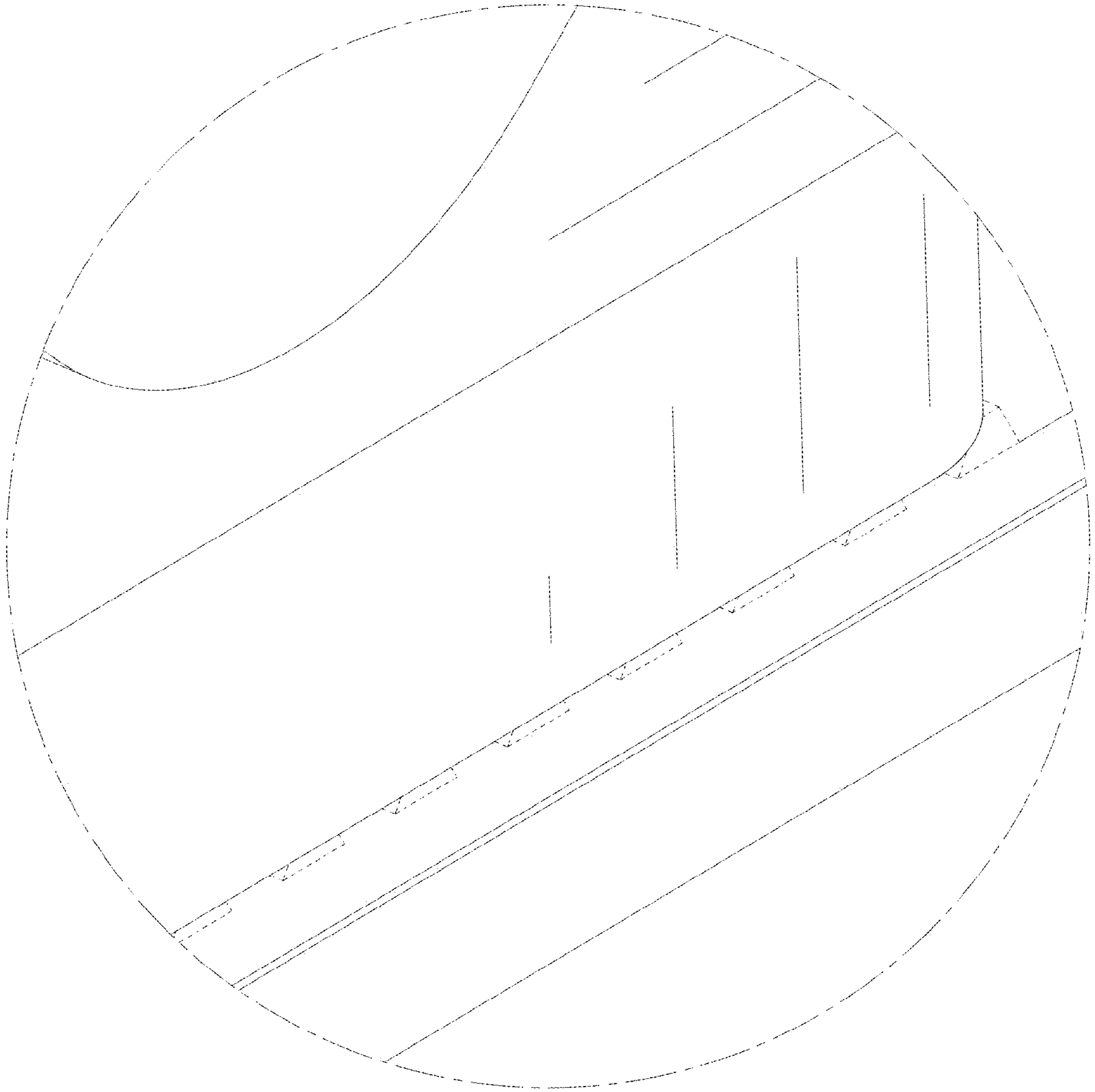


FIG. 10