



US00D986459S

(12) **United States Design Patent** (10) **Patent No.:** **US D986,459 S**
Holmes et al. (45) **Date of Patent:** **** May 16, 2023**

- (54) **CEILING FAN LIGHT KIT**
- (71) Applicant: **HUNTER FAN COMPANY**,
Memphis, TN (US)
- (72) Inventors: **Christine Holmes**, Memphis, TN (US);
Claire Bernice McRoberts, La Jolla,
CA (US)
- (73) Assignee: **Hunter Fan Company**, Memphis, TN
(US)
- (**) Term: **15 Years**
- (21) Appl. No.: **29/813,759**
- (22) Filed: **Nov. 1, 2021**

- D428,180 S 7/2000 Orellana et al.
- D430,280 S 8/2000 Huang
- D442,315 S 5/2001 Schaefer et al.
- D483,463 S 12/2003 Tai
- D485,349 S 1/2004 Burns
- D486,215 S 2/2004 Hsieh
- D520,668 S 5/2006 Brunner
- D523,951 S 6/2006 Pickett
- D526,432 S * 8/2006 Guthrie D26/59
(Continued)

Related U.S. Application Data

- (60) Continuation of application No. 29/713,081, filed on
Nov. 13, 2019, now Pat. No. Des. 938,082, which is
a division of application No. 29/624,462, filed on
Nov. 1, 2017, now Pat. No. Des. 872,851.
- (51) **LOC (14) Cl.** **26-05**
- (52) **U.S. Cl.**
USPC **D26/59; D23/411**
- (58) **Field of Classification Search**
USPC D23/370, 377, 379, 385, 411, 413;
D26/13, 37-38, 40, 59, 70, 80-82, 84, 86,
D26/102, 111, 142-145
CPC F04D 25/088; F04D 29/38; F04D 29/384;
F04D 29/386; F21V 33/0096; F21V
3/061; F21V 3/0615; F21S 8/043
See application file for complete search history.

References Cited

U.S. PATENT DOCUMENTS

- D172,688 S 7/1954 Ruskin
- D382,954 S 8/1997 Liu
- D416,616 S 11/1999 LaSpina

OTHER PUBLICATIONS

<http://www.homedepot.com/p/Hampton-Bay-Ellijay-52-in-Natural-Iron-Indoor-Outdoor-Ceiling-Fan-YG205-N1/202549824>, Hampton Bay Ellijay 52 in. Natural Iron Indoor/Outdoor Ceiling Fan, Model No. YG205-NI, accessed Mar. 1, 2017.

(Continued)

Primary Examiner — Sharon S Oum

(74) *Attorney, Agent, or Firm* — McGarry Bair PC

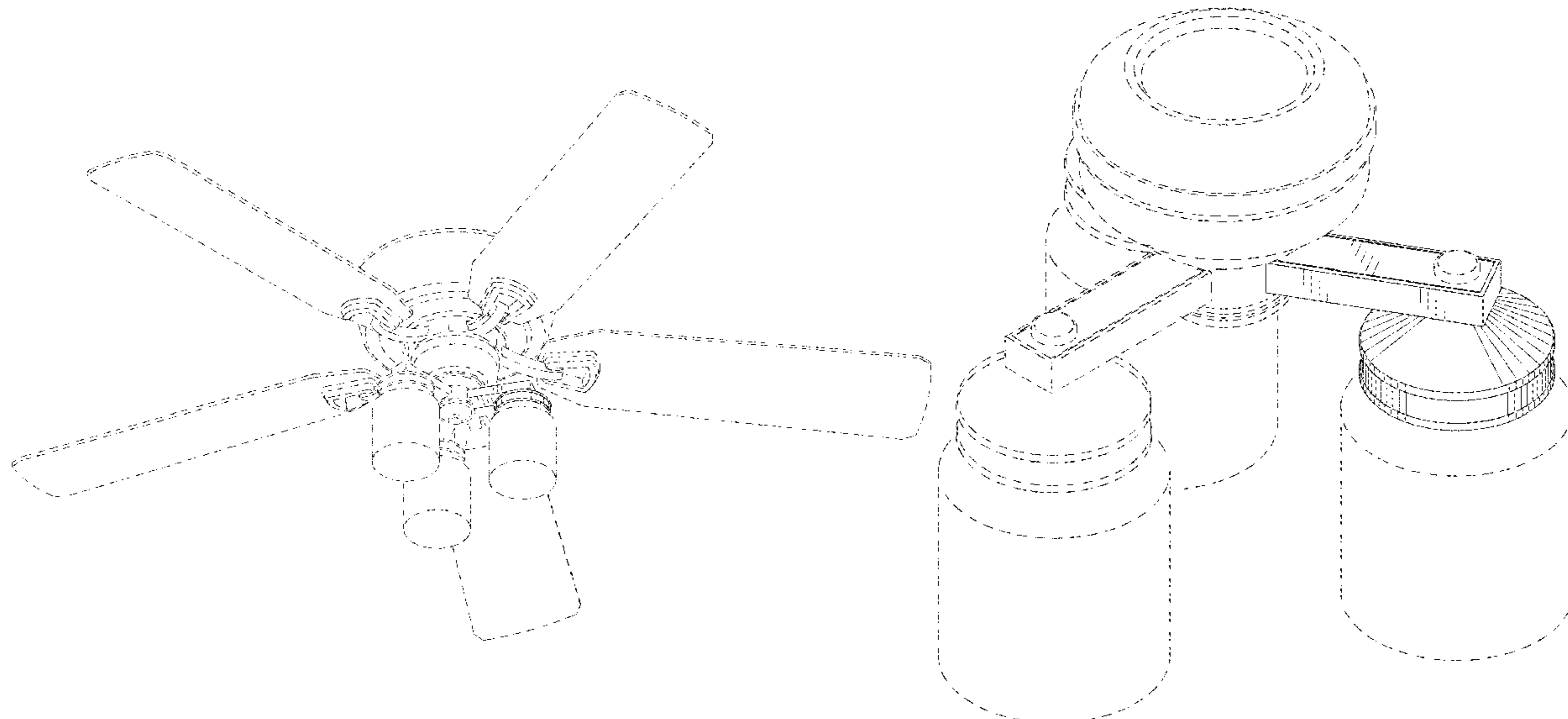
(57) **CLAIM**

The ornamental design for a ceiling fan light kit, as shown and described.

DESCRIPTION

FIG. 1 is a bottom perspective view of a ceiling fan light kit in the environment of a ceiling fan, showing our new design; FIG. 2 is a top perspective view of the ceiling fan light kit, having the ceiling fan environment removed; FIG. 3 is a top view thereof; FIG. 4 is a bottom view thereof; FIG. 5 is a front view thereof; FIG. 6 is a rear view thereof; FIG. 7 is a left side view thereof; and, FIG. 8 is a right side view thereof. Portions of the ceiling fan light kit and the ceiling fan environment shown in broken lines form no part of the claimed design.

1 Claim, 8 Drawing Sheets



(56)

References Cited

U.S. PATENT DOCUMENTS

D527,450 S 8/2006 Hidalgo
 D532,510 S 11/2006 Pickett
 D533,655 S 12/2006 Glasbrenner
 D535,421 S 1/2007 Pickett
 D559,953 S 1/2008 Bickler et al.
 D563,543 S 3/2008 Pickett
 D567,421 S 4/2008 Pan
 D598,091 S 8/2009 Orozco
 D601,240 S 9/2009 Klausning et al.
 D613,890 S 4/2010 Chen
 D613,895 S 4/2010 Chen
 D617,890 S 6/2010 Thomas
 D627,048 S 11/2010 Shurtleff
 D627,049 S 11/2010 Glasbrenner
 D627,870 S 11/2010 Wang
 D638,574 S * 5/2011 Kling D26/142
 D643,105 S 8/2011 Orozco
 D691,763 S 10/2013 Hand et al.
 D702,385 S 4/2014 Wang
 D706,406 S 6/2014 Wang
 D706,918 S 6/2014 Wang
 D706,919 S 6/2014 Wang
 D707,344 S 6/2014 Wang
 D707,347 S 6/2014 Wang
 D707,348 S 6/2014 Pan
 D744,080 S 11/2015 Wang
 D744,081 S 11/2015 Wang
 D751,187 S 3/2016 Dolan
 D786,495 S 5/2017 Dolan
 D804,011 S 11/2017 Holmes et al.
 D827,805 S 9/2018 Biancuzzo
 D875,980 S 2/2020 Patrick
 D876,698 S 2/2020 Hidalgo
 D885,647 S 5/2020 Haggar
 D889,735 S 7/2020 Holmes
 D894,457 S 8/2020 McRoberts
 D923,861 S 6/2021 Haggar
 D934,484 S * 10/2021 Ou D26/80
 D938,082 S * 12/2021 Holmes D26/144
 D949,316 S * 4/2022 Eiffert D23/377

D952,119 S * 5/2022 McRoberts D23/377
 D959,718 S * 8/2022 McRoberts D26/144
 D962,525 S * 8/2022 Lin D26/86
 D966,488 S * 10/2022 McRoberts D23/377
 D966,489 S * 10/2022 McRoberts D23/377
 D969,295 S * 11/2022 Holmes Bradley D23/377
 D969,298 S * 11/2022 Eiffert D26/59
 2005/0214145 A1 9/2005 Grinbergs

OTHER PUBLICATIONS

<https://www.lowes.com/pd/Harbor-Breeze-Merrimack-52-in-Antique-Bronze-Downrod-Mount-Indoor-Outdoor-Ceiling-Fan-with-Light-Kit-and-Remote/4165863>, Harbor Breeze Merrimack 52-in Antique Bronze Downrod Mount Indoor/Outdoor Ceiling Fan with Light Kit and Remote Control, Model No. 40094, accessed Mar. 31, 2017.
<http://www.fanimation.com/products/index.php/fans/coop/html>, Fanimation Coop, Indoor Fan, Model No. LP8081, accessed Oct. 30, 2017.
<https://www.lowes.com/pd/Harbor-Breeze-Calera-42-in-White-Downrod-or-Close-Mount-Indoor-Outdoor-Residential-Ceiling-Fan/3822651>, Harbor Breeze Calera 42-in White Downrod or Close Mount Indoor/Outdoor Residential Ceiling Fan, Model No. 00830, accessed Mar. 31, 2017.
<http://www.homedepot.com/p/Hampton-Bay-Lazerro-II-52-in-Oil-Rubbed-Bronze-Ceiling-Fan-AL968-ORB/203786359>, Hampton Bay Lazerro II 52 in. Oil-Rubbed Bronze Ceiling Fan, Model No. AL968-ORB, accessed Mar. 31, 2017.
<http://ceilingfans.emerson.com/shop/erVfan/fans-s-emerson-fans/fans-s-transitional/portland-eco-fan-p-c1965>, Emerson Ceiling Fans, Portland Eco, Model No. CF965BS, accessed Mar. 31, 2017.
<http://www.hunterfan.com/Ceiling-Fans/Timberlane?ModelNumber=59201>, Hunter Fan, Timberlane 52" Ceiling Fan, Model No. 59201, accessed Mar. 31, 2017.
<http://www.homedepot.com/p/Hampton-Bay-Garrison-52-in-Gunmetal-Ceiling-Fan-AC438-GM/100583172>, Hampton Bay Garrison 52 in. Gunmetal Ceiling Fan, Model No. AC438-GM, accessed Mar. 31, 2017.

* cited by examiner

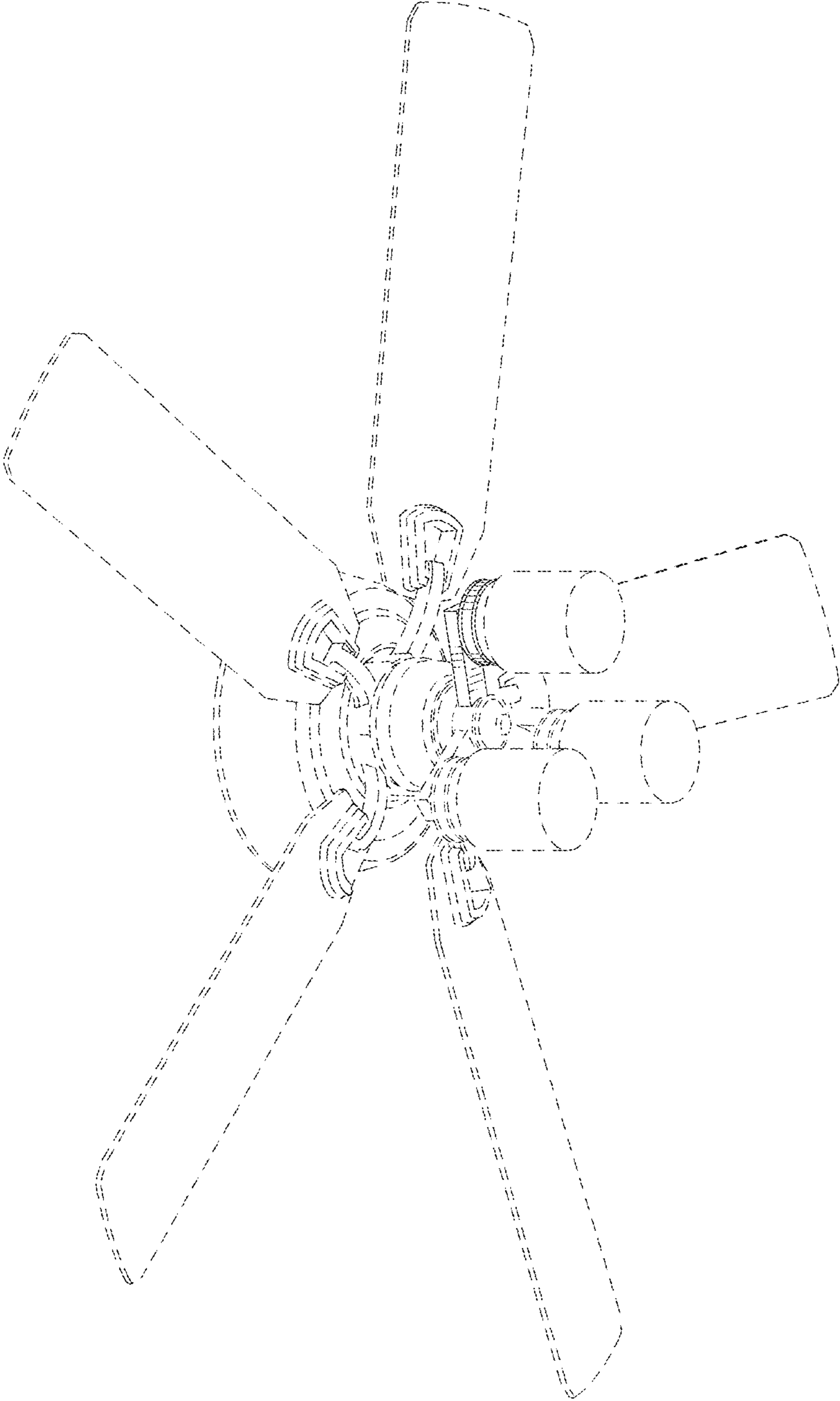


FIG. 1

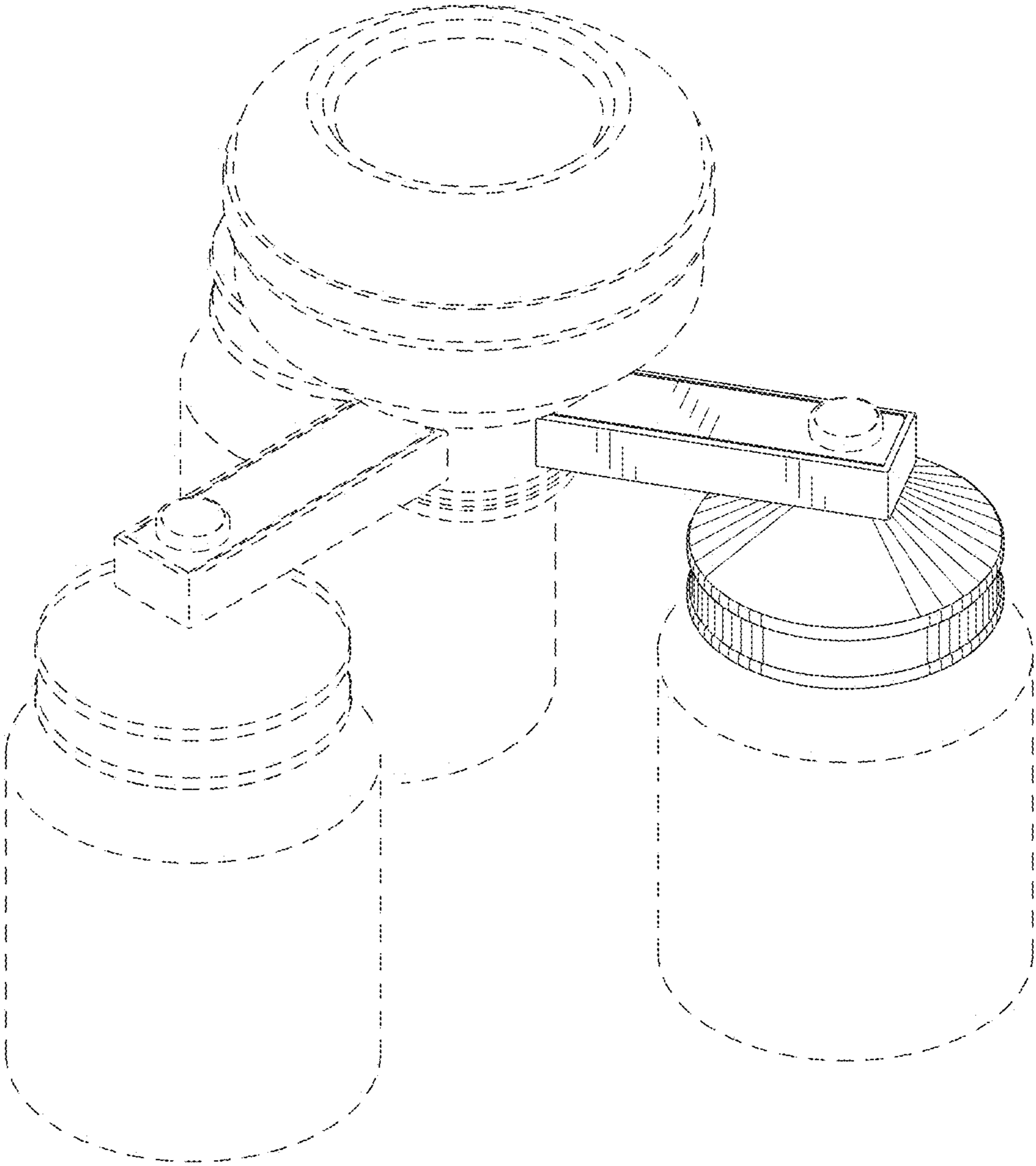


FIG. 2

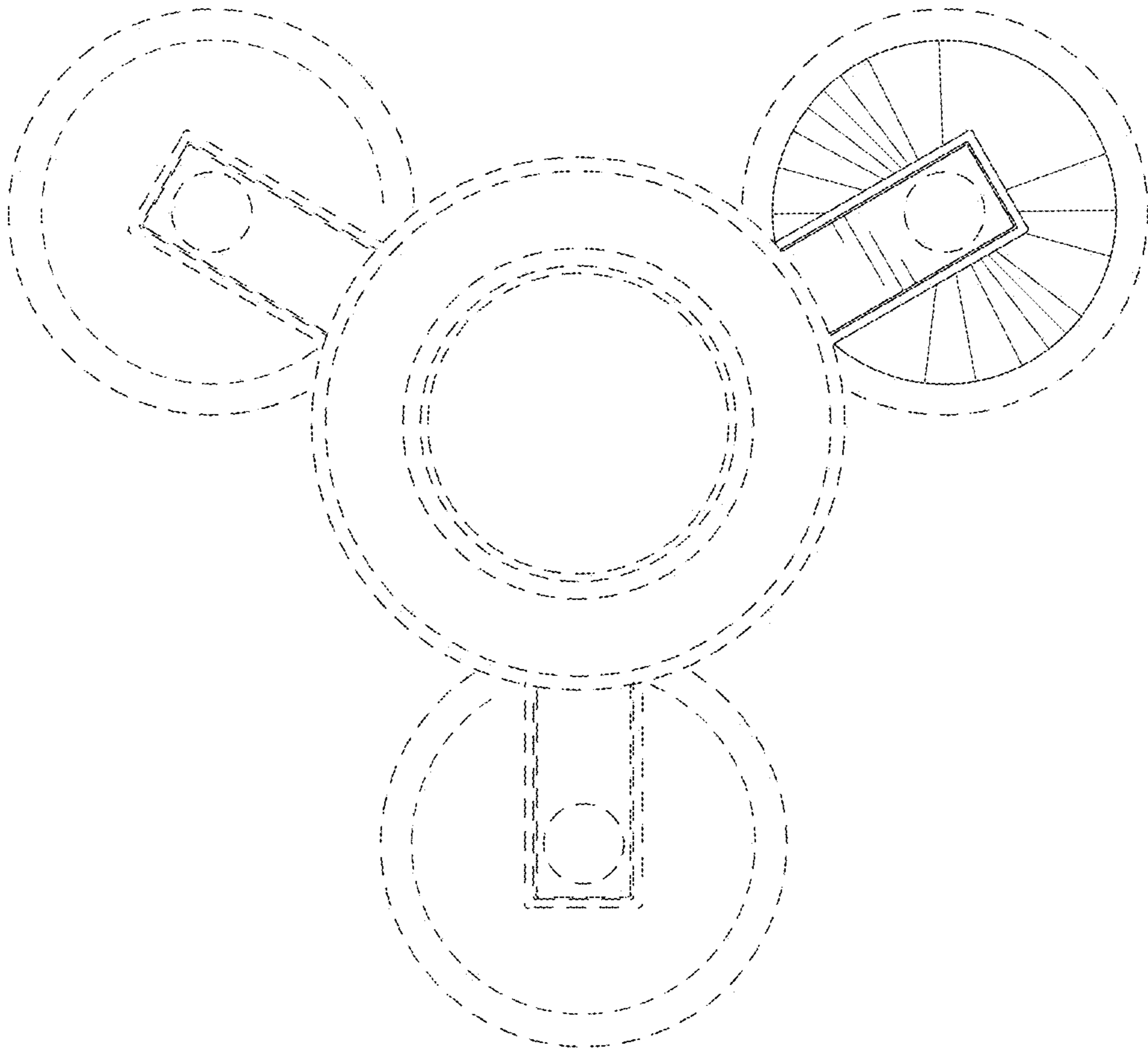


FIG. 3

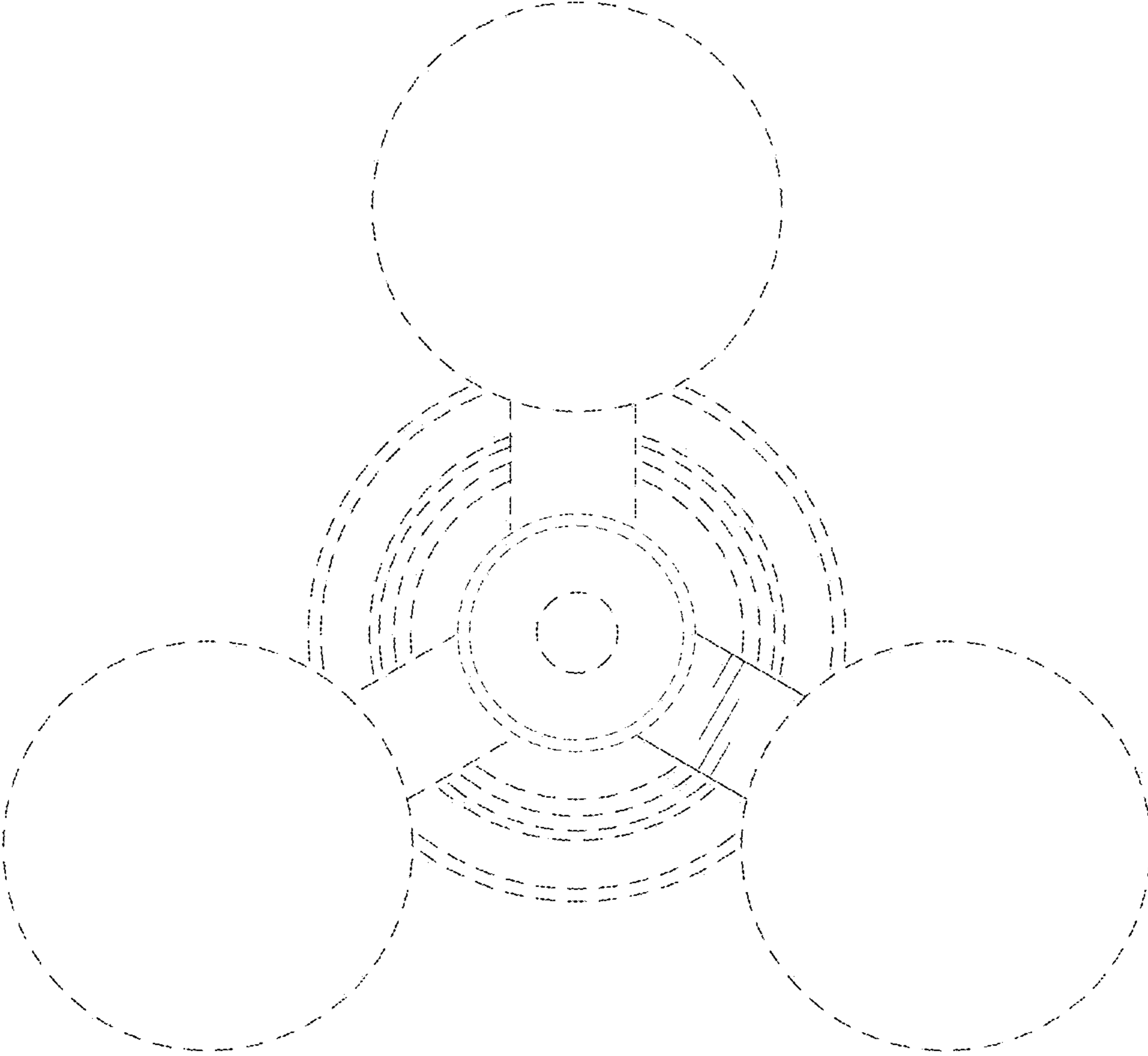


FIG. 4

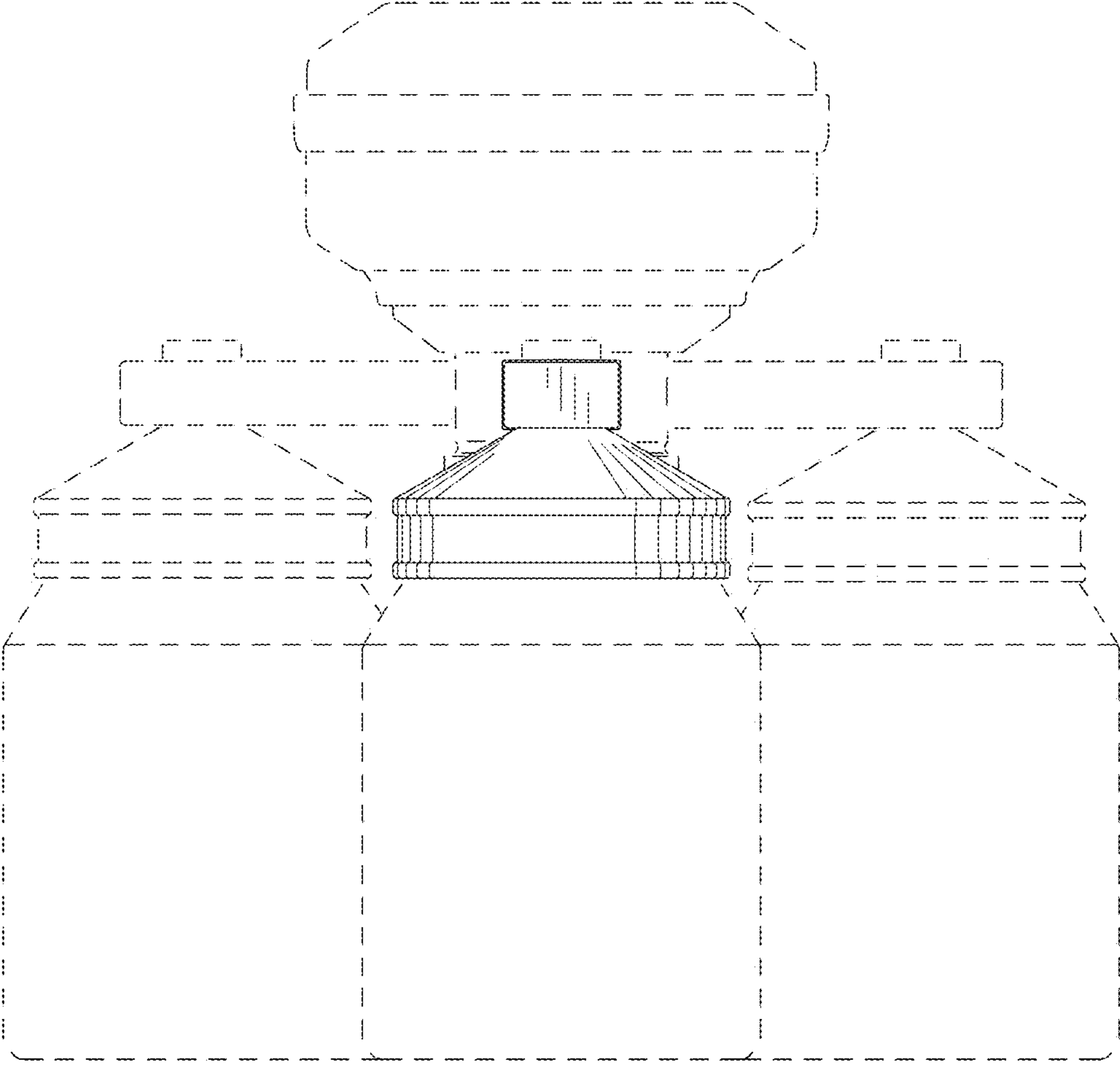


FIG. 5

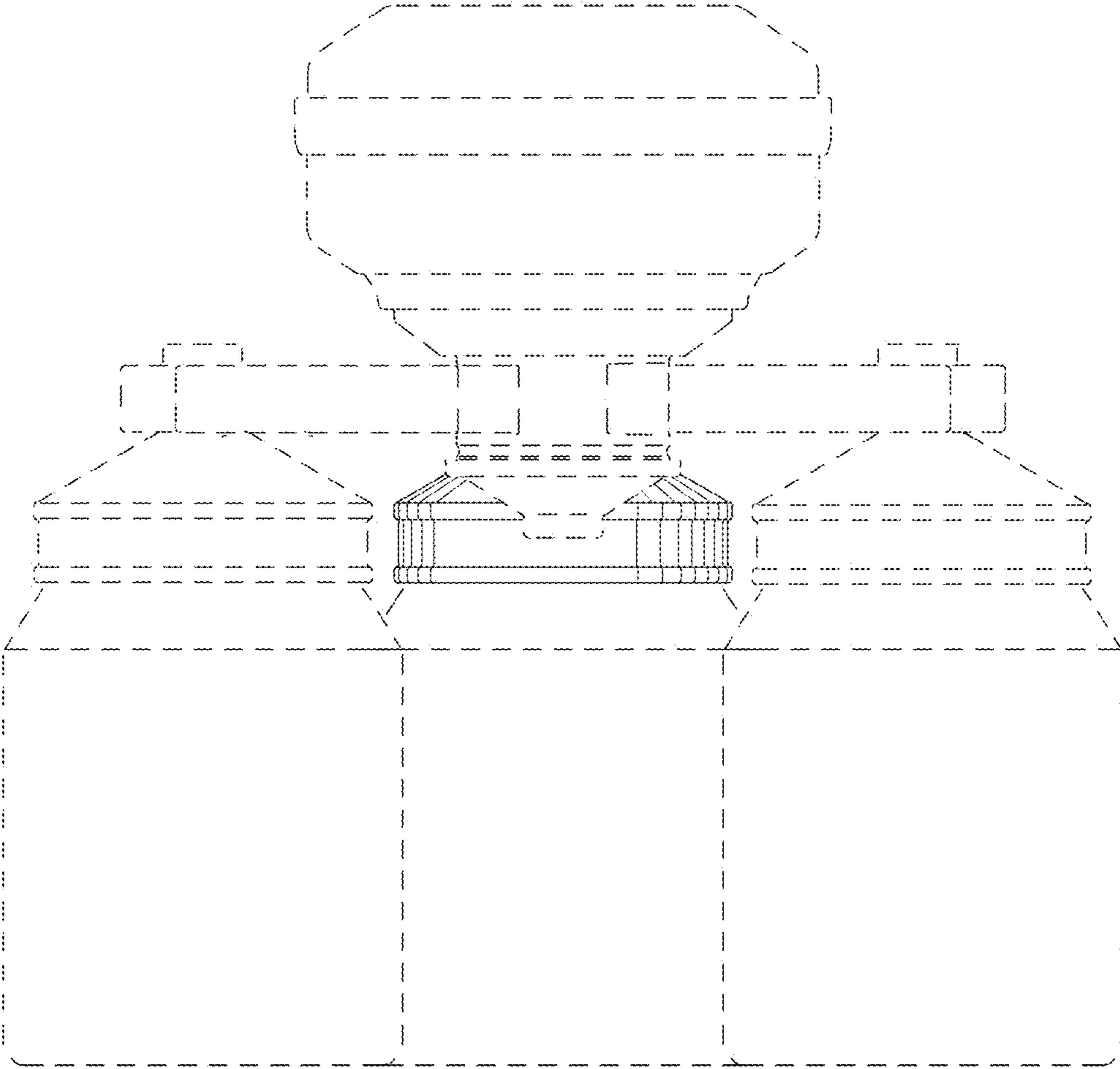


FIG. 6

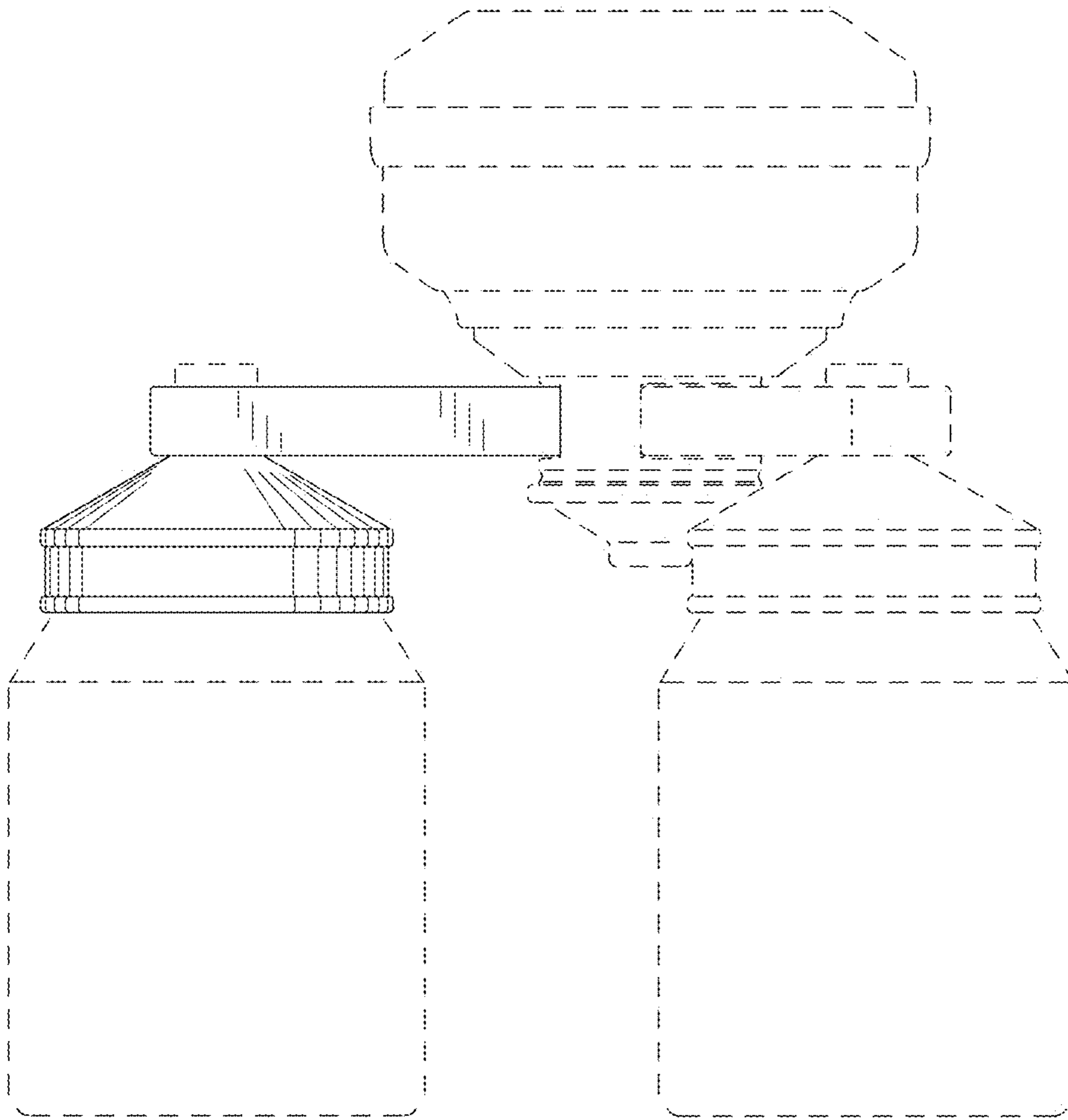


FIG. 7

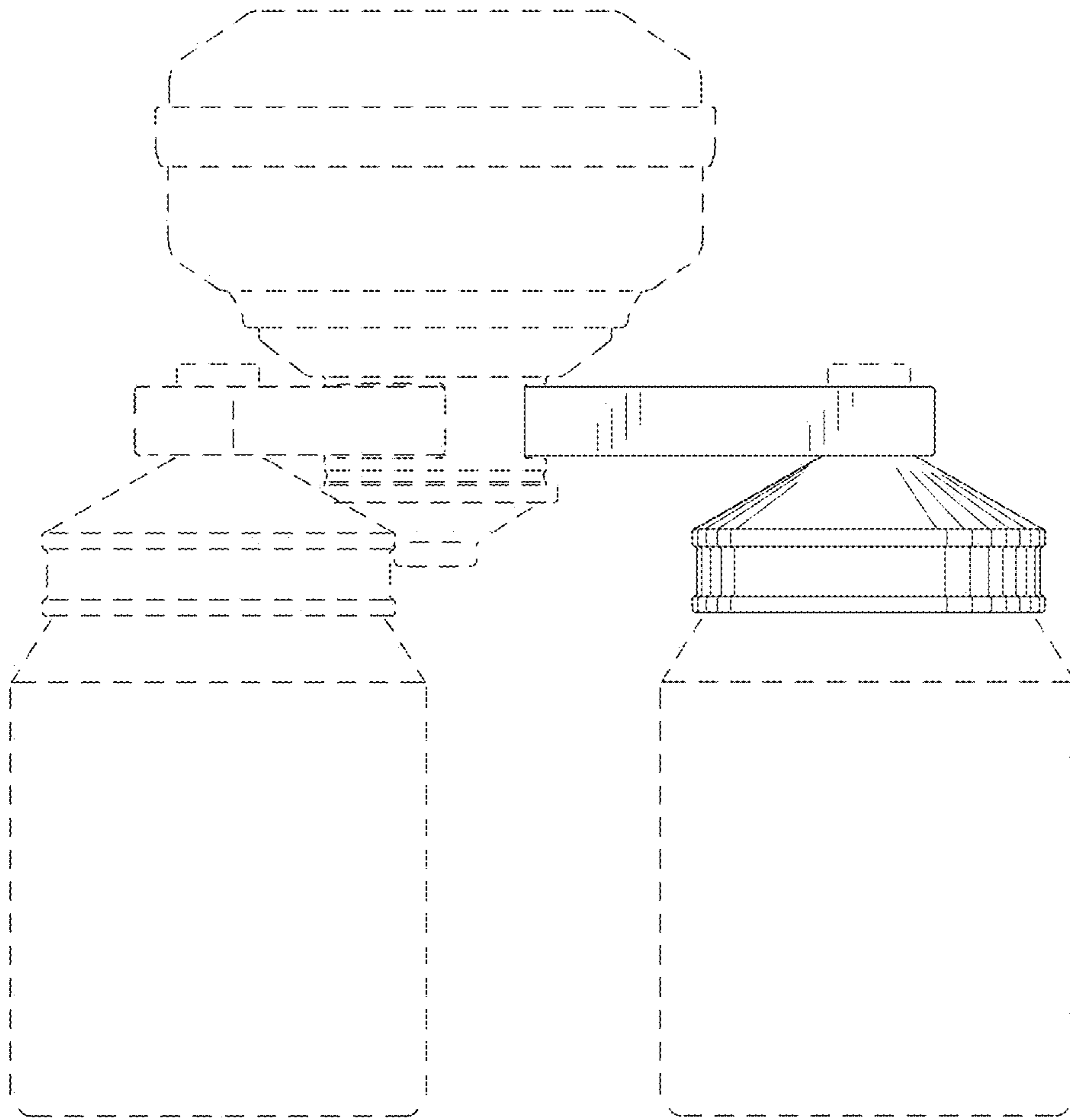


FIG. 8