



US00D986458S

(12) **United States Design Patent** (10) **Patent No.:** **US D986,458 S**
Broughman (45) **Date of Patent:** **** May 16, 2023**

(54) **COMBINED FAN WITH LIGHT FIXTURE**

(71) Applicant: **Arranmore Lighting Company, LLC**, Cornelius, NC (US)
(72) Inventor: **James Michael Broughman**, Cornelius, NC (US)
(73) Assignee: **Arranmore Lighting Company, LLC**, Cornelius, NC (US)

(**) Term: **15 Years**

(21) Appl. No.: **29/761,639**

(22) Filed: **Dec. 10, 2020**

(51) **LOC (14) Cl.** **23-04**

(52) **U.S. Cl.**
USPC **D23/382**; D23/377; D26/59

(58) **Field of Classification Search**
USPC D26/24, 37-52, 59, 63-66, 72, 81, 83, D26/88-89, 113, 138; D23/370, 377, D23/381-382, 385-386, 411-413
CPC F21V 33/0096; F21V 21/03; F21V 15/01; F21V 29/677; F21V 23/0435; F21V 21/02; F21V 29/74; F24F 13/078; F24F 7/007; F24F 2221/02; F24F 13/06
See application file for complete search history.

(56) **References Cited**

U.S. PATENT DOCUMENTS

D108,142 S *	1/1938	Koch	D23/382
D133,051 S *	7/1942	Kruck	D23/382
D161,967 S *	2/1951	Bastian	D23/382
D482,112 S *	11/2003	Miller	D23/377
D700,311 S *	2/2014	Wang	D23/385
D895,097 S *	9/2020	Wang	D23/377
D923,861 S *	6/2021	Haggar	D26/59
D928,385 S *	8/2021	Lin	D26/89
D952,123 S *	5/2022	Searle	D23/382

(Continued)

OTHER PUBLICATIONS

12" Aric 3. By 17 Stories. Dated May 17, 2020. Found online [Jun. 14, 2022]. https://www.wayfair.com/lighting/pdp/17-stories-12-aric-3-blade-standard-ceiling-fan-with-light-kit-included-w000186604.html?piid=701145744&utm_source=pinterest&utm_medium=social (Year: 2020).*

(Continued)

Primary Examiner — Mark A Goodwin

Assistant Examiner — William B Melliar

(74) *Attorney, Agent, or Firm* — Edwin A. Sisson, Attorney at Law, LLC; John W. Bain; Jeffrey J. Banyas

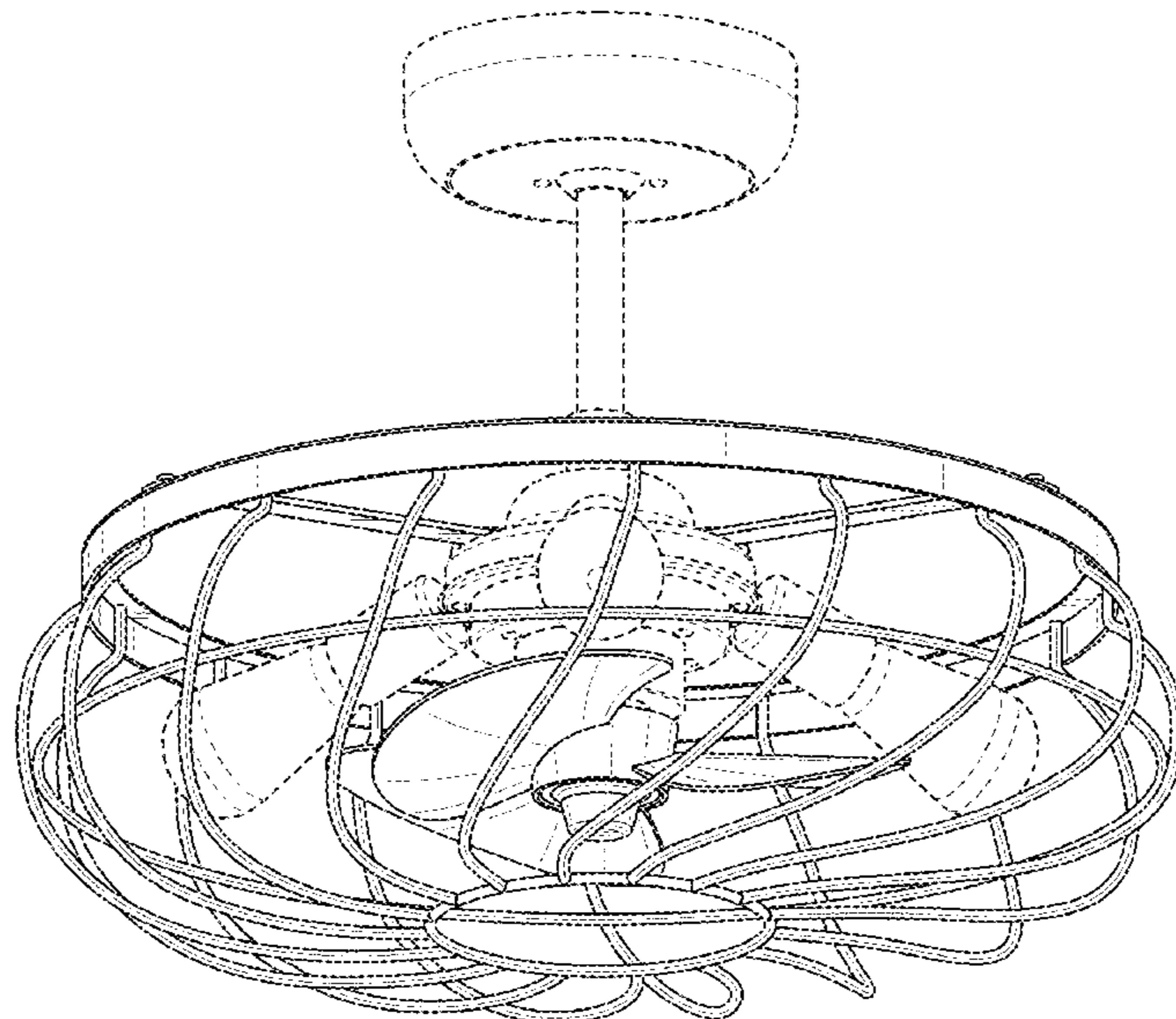
(57) **CLAIM**

The ornamental design for a combined fan and light fixture, as shown and described.

DESCRIPTION

FIG. 1 is a perspective view of a combined fan with light fixture;
FIG. 2 is a front view of a combined fan with light fixture;
FIG. 3 is a rear view of a combined fan with light fixture;
FIG. 4 is a right side view of a combined fan with light fixture;
FIG. 5 is a left side view of a combined fan with light fixture;
FIG. 6 is a top bottom view of a combined fan with light fixture;
FIG. 7 is a bottom top view of a combined fan with light fixture; and,
FIG. 8 is a perspective view of a combined fan with light fixture installed on a ceiling of a structure.
The broken lines shown in the drawings depict portions of the combined fan with light fixture that form no part of the claimed design. Additional broken lines shown in FIG. 8 depict environment only and form no part of the claimed design.

1 Claim, 8 Drawing Sheets



(56)

References Cited

U.S. PATENT DOCUMENTS

D957,614 S * 7/2022 Keepers D23/382
D963,222 S * 9/2022 Lv D23/382

OTHER PUBLICATIONS

Ceiling Fan with Light Industrial. By Oukaning. Dated Aug. 24, 2019. Found online [Jun. 14, 2022]. <https://www.amazon.com/Ceiling-Industrial-Retractable-Chandelier-Included/dp/B07ST1LHHJ> (Year: 2019).*

Ceiling Fan with Lights. By HuixuTe. Dated Nov. 23, 2021. Found online [Jun. 14, 2022]. <https://www.amazon.com/Ceiling-Control-Enclosed-Bladeless-Profile/dp/B09MFPCK4P> (Year: 2021).*

* cited by examiner

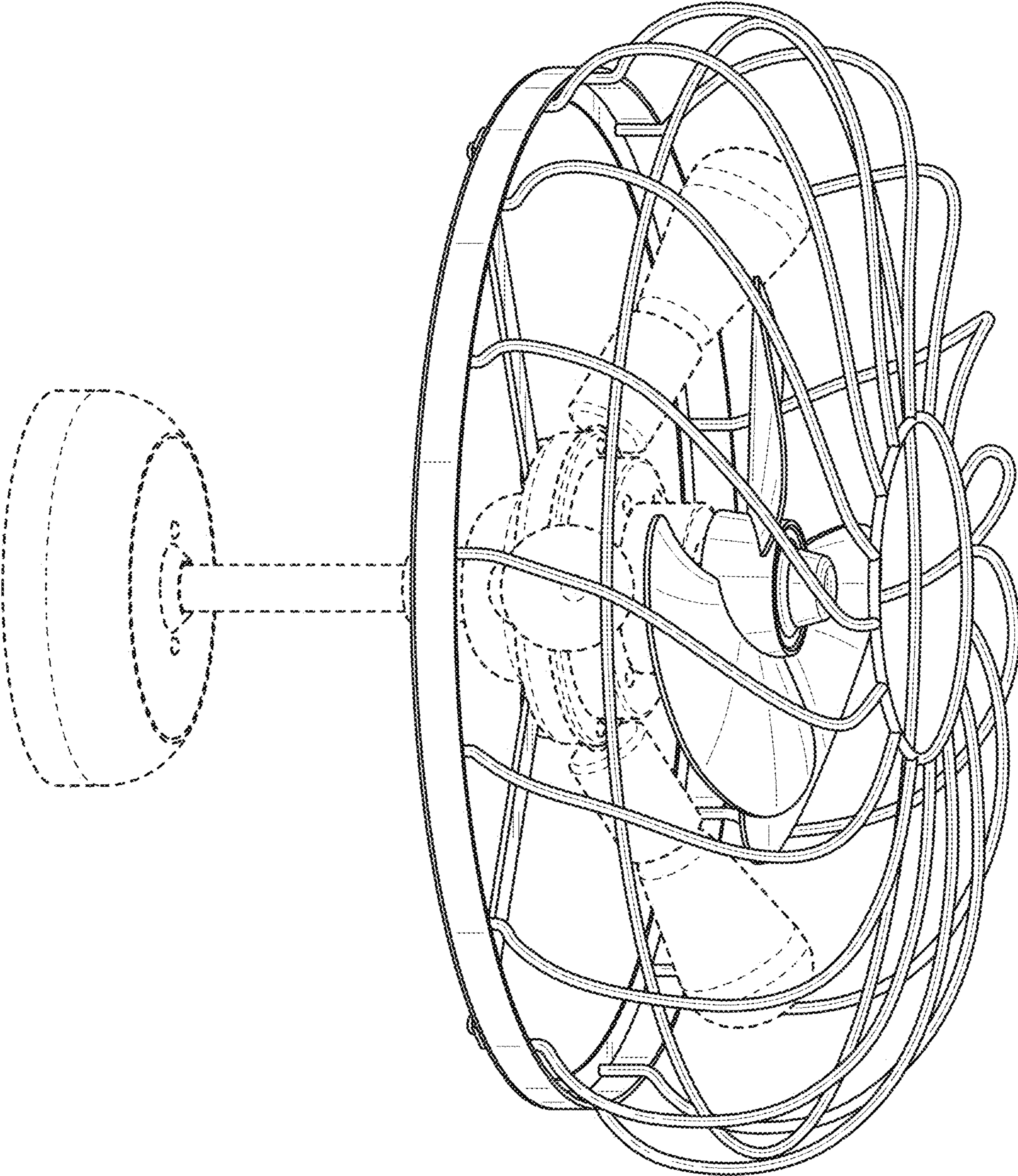


FIG. 1

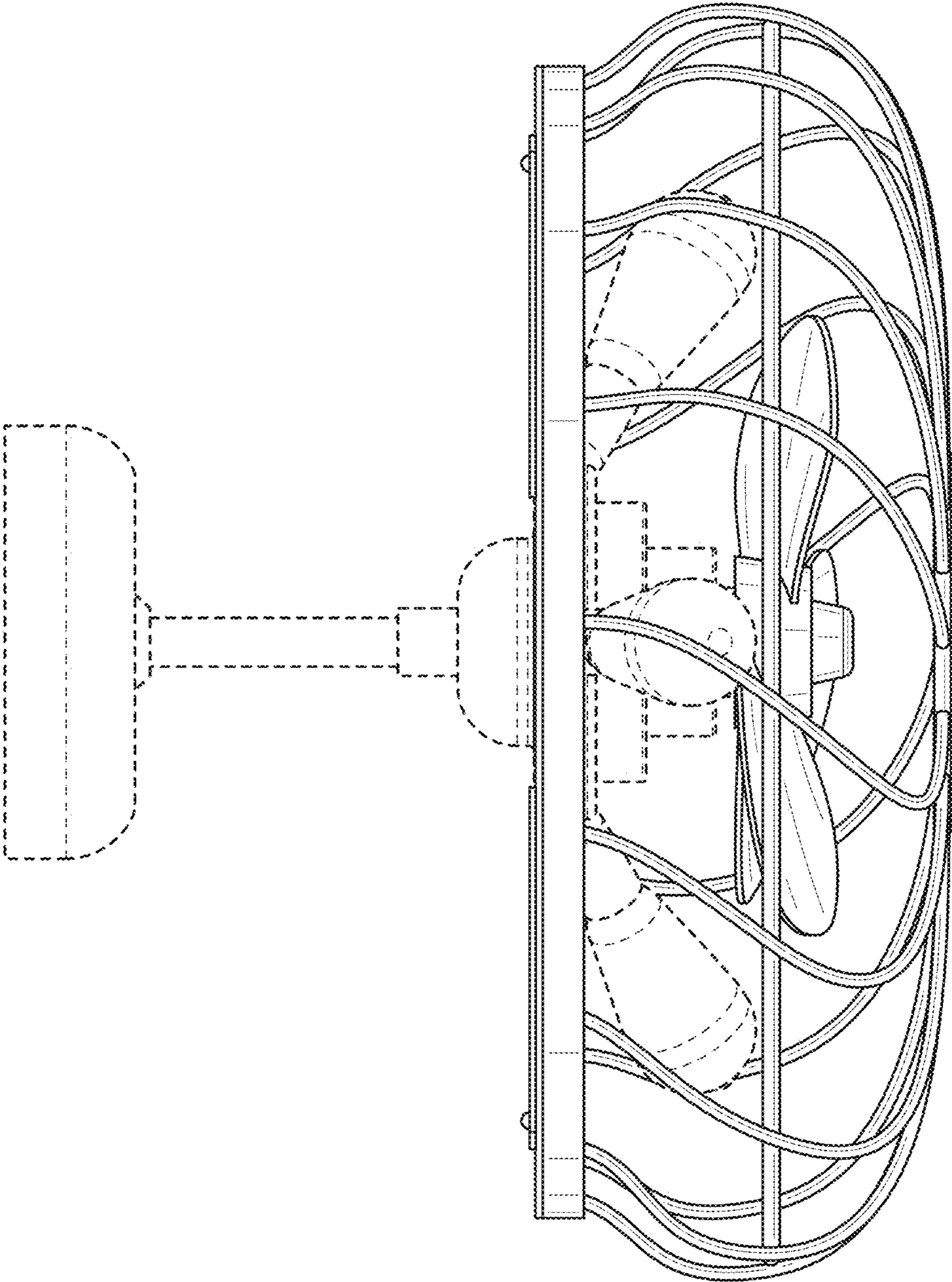


FIG. 2

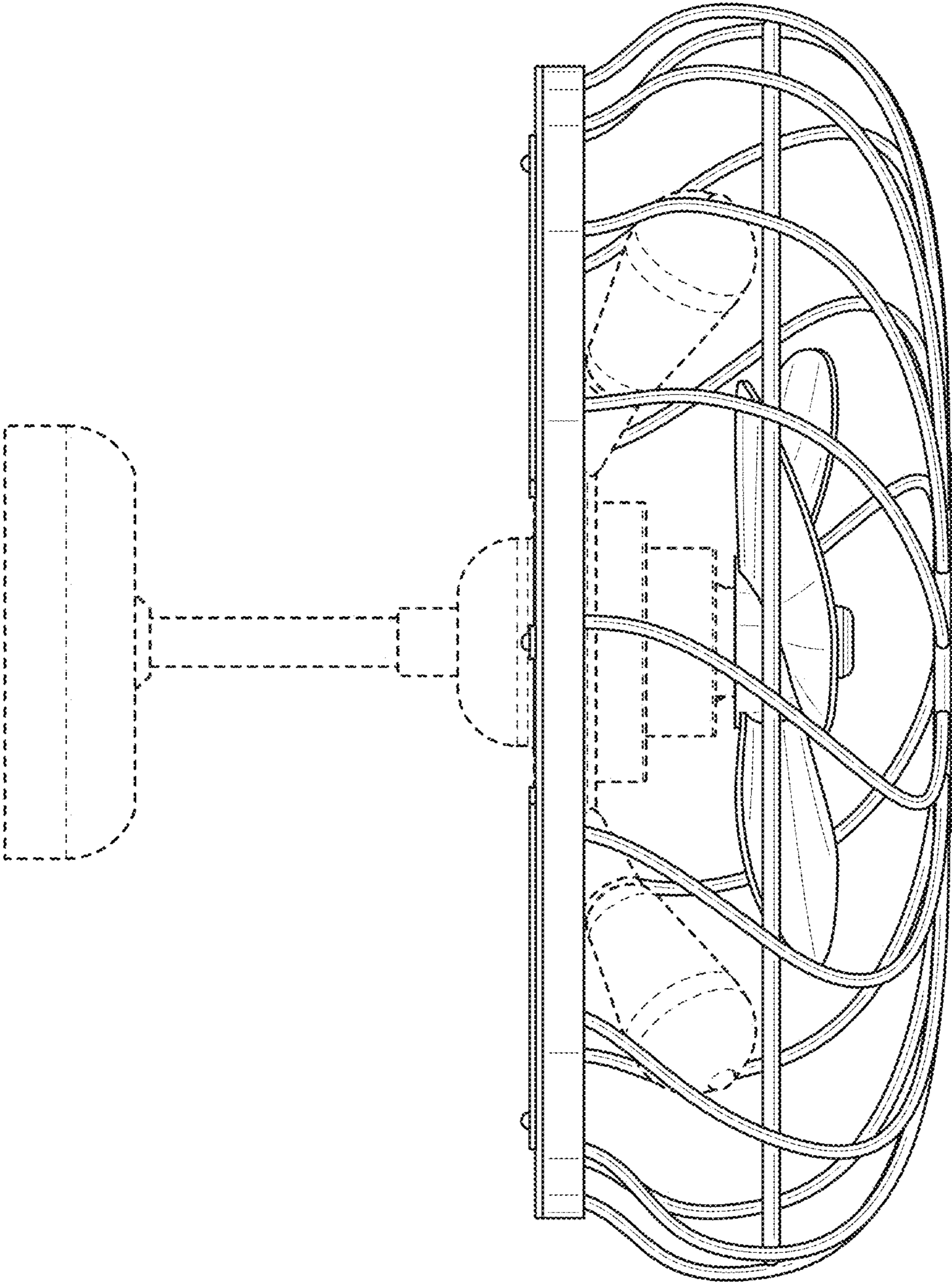


FIG. 3

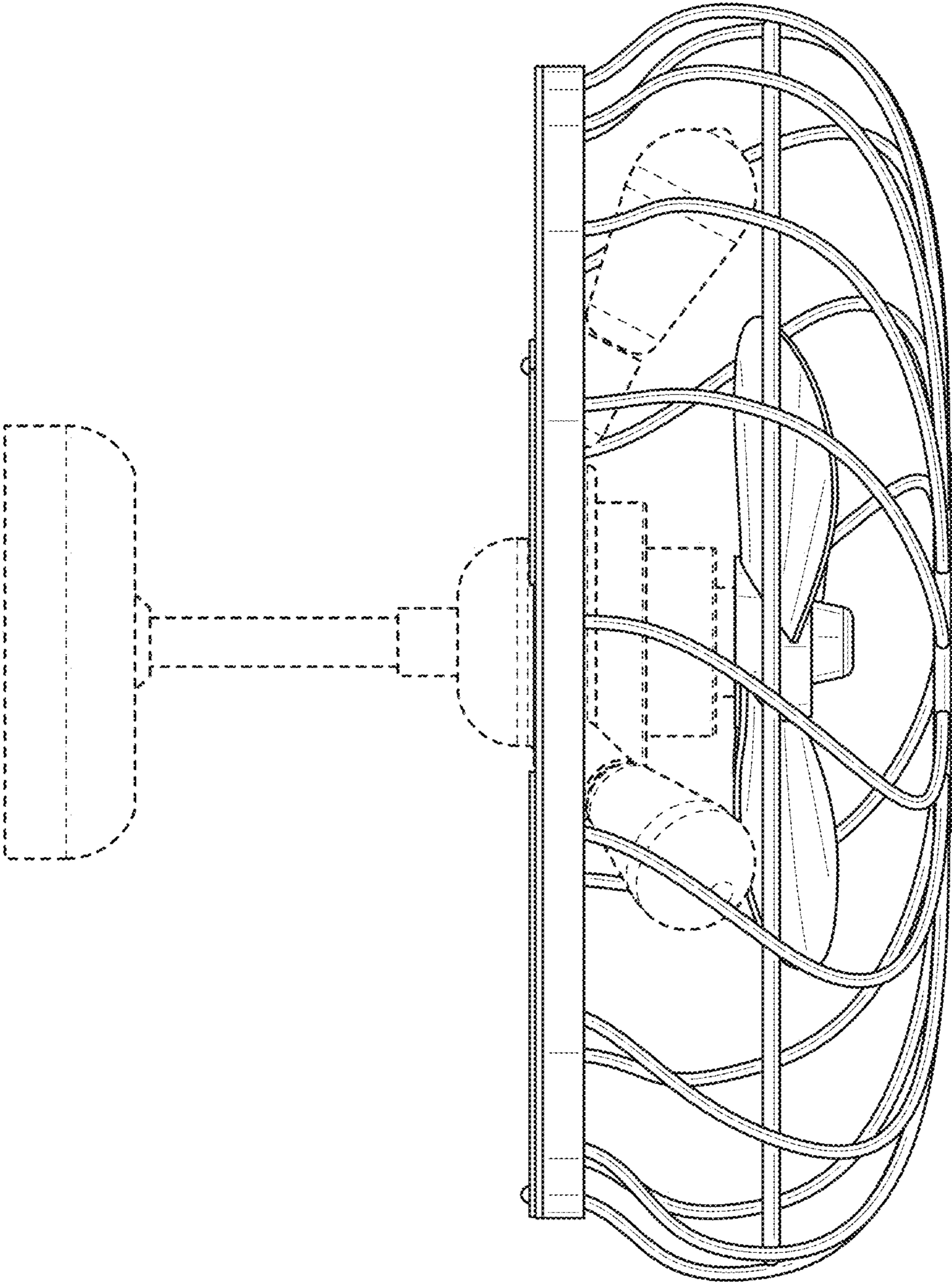


FIG. 4

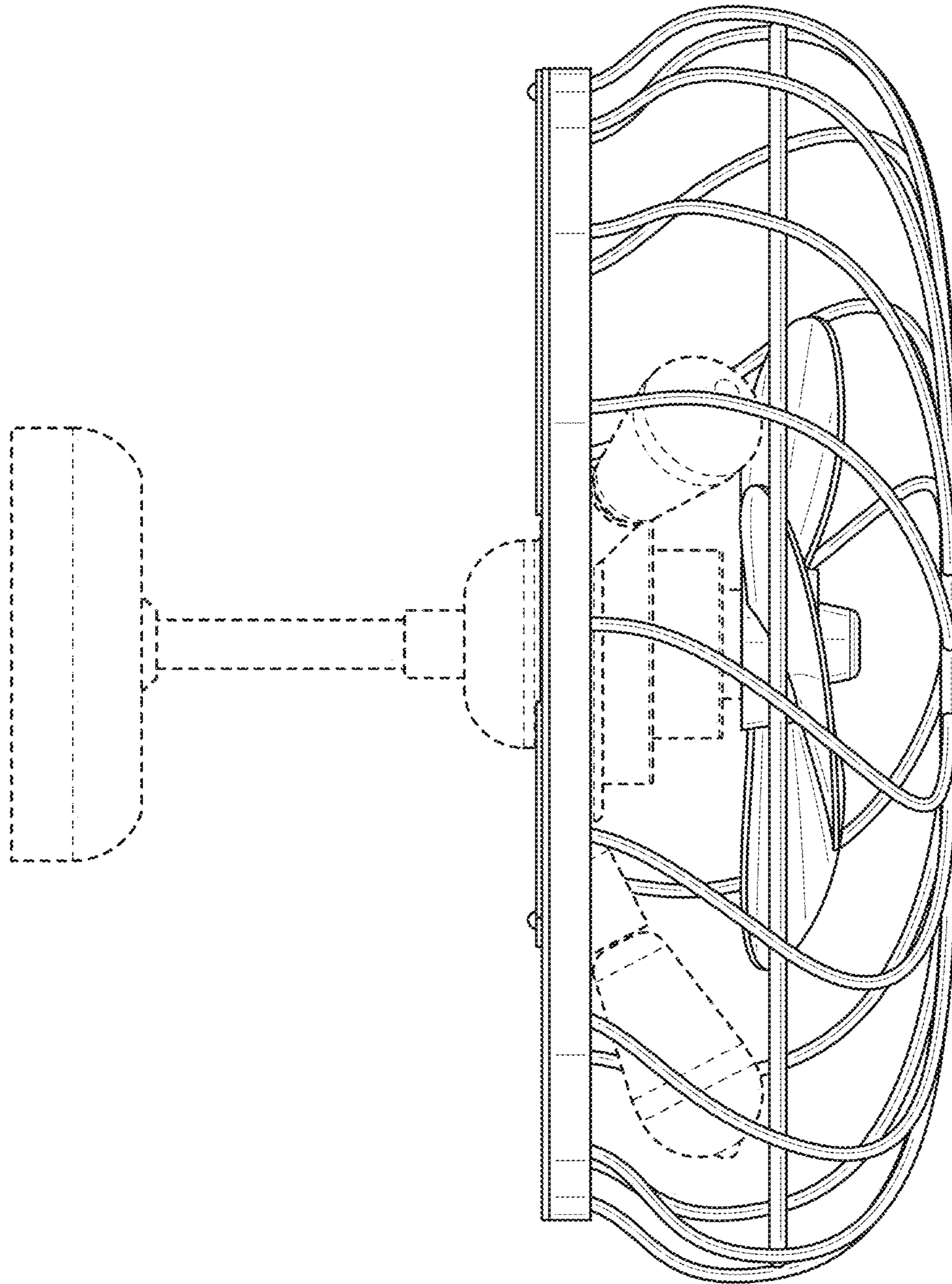


FIG. 5

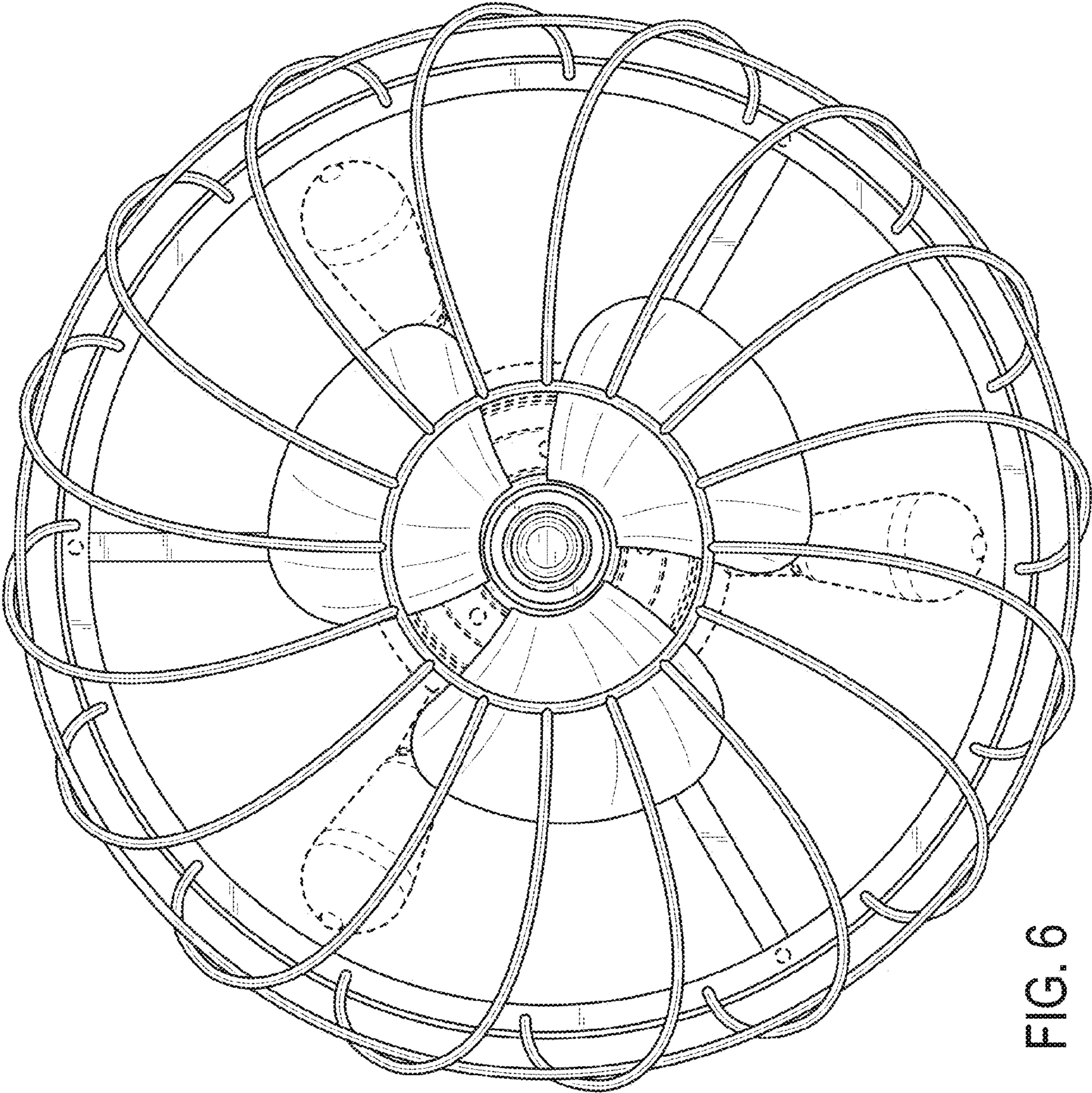


FIG. 6

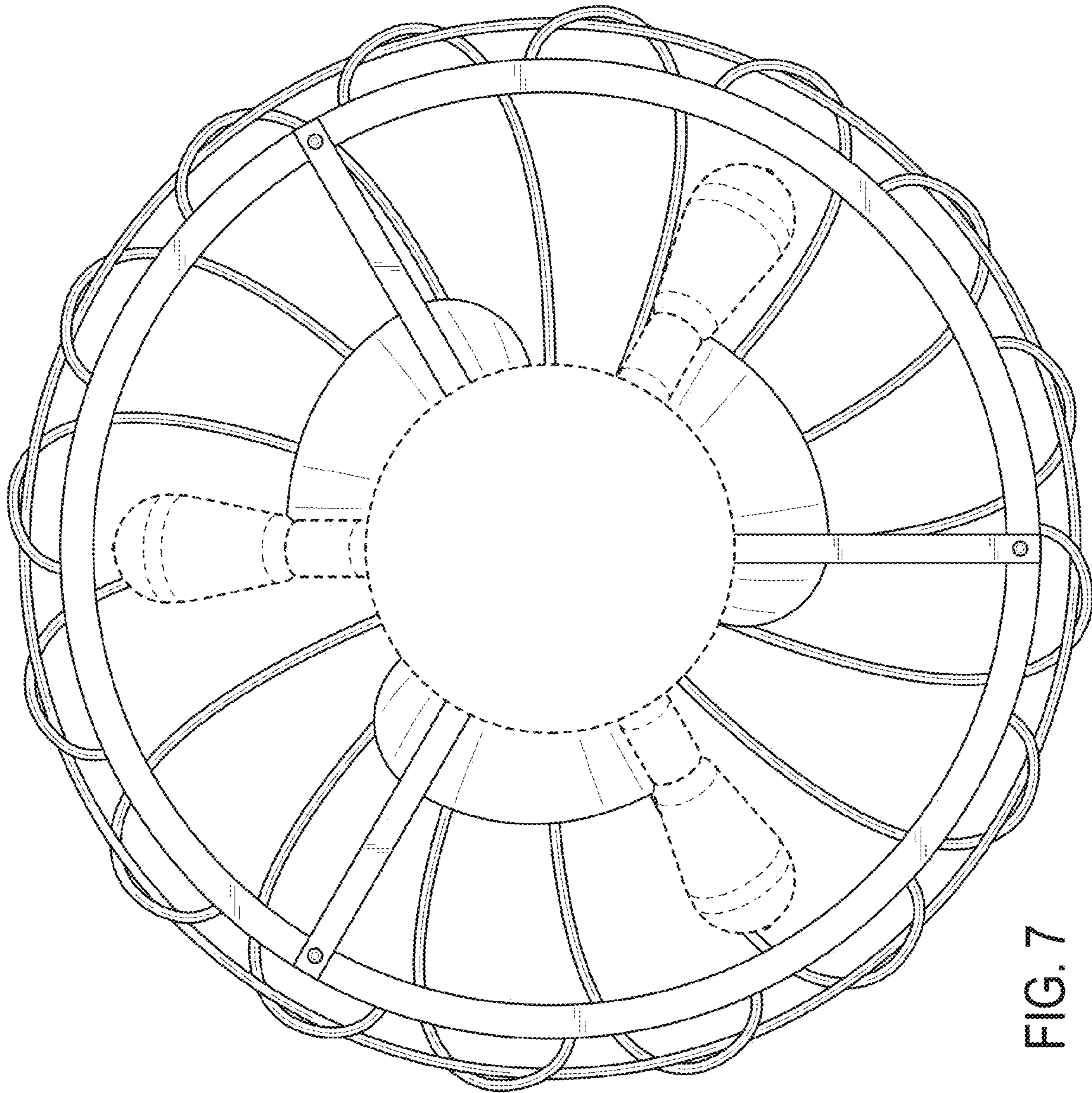


FIG. 7

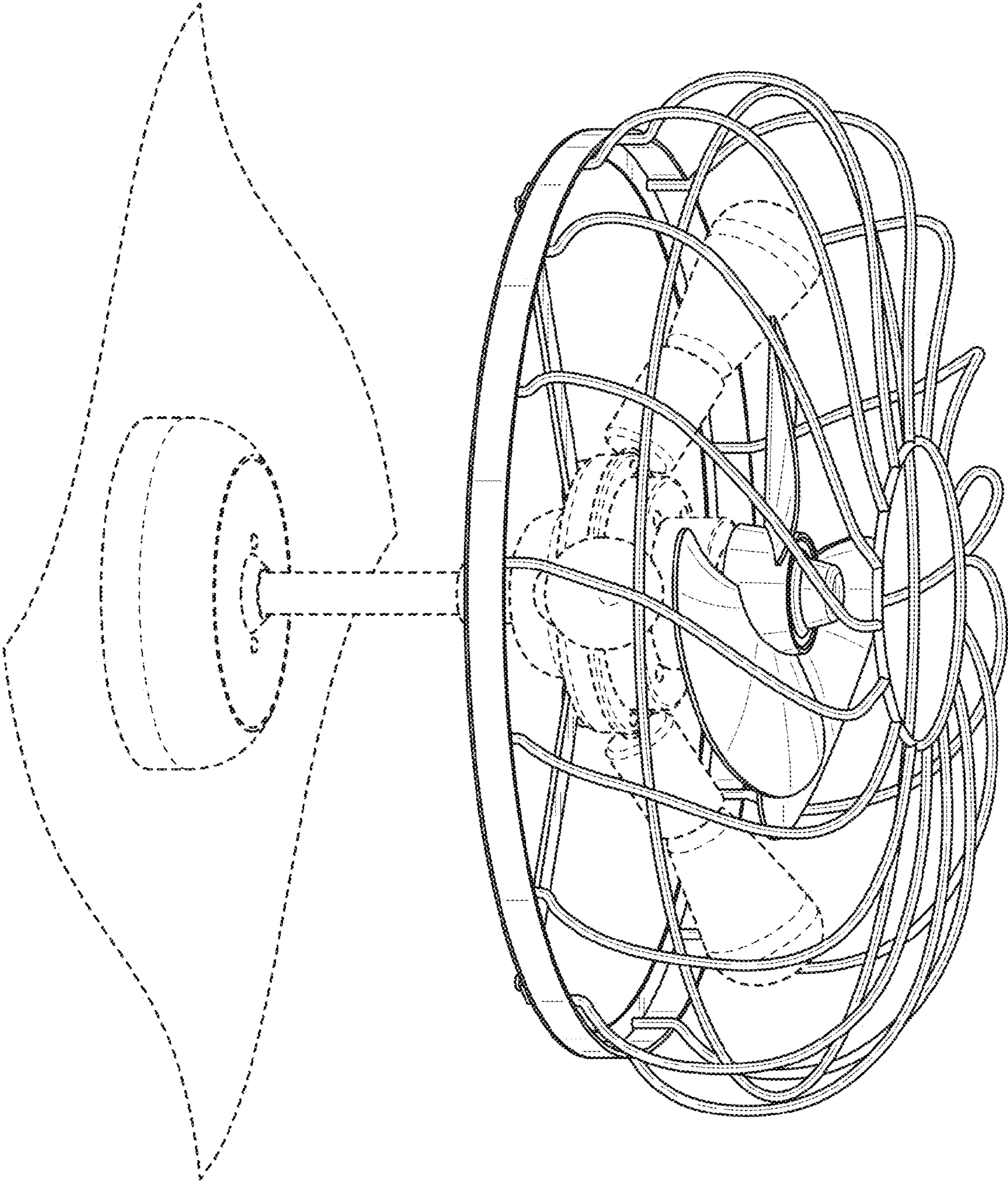


FIG. 8