



US00D986456S

(12) **United States Design Patent** (10) **Patent No.:** **US D986,456 S**
Burry et al. (45) **Date of Patent:** **** May 16, 2023**

(54) **FLEXIBLE FLASHLIGHT**

OTHER PUBLICATIONS

(71) Applicants: **James Michael Burry**, Troutman, NC (US); **Adrian Richard Tetteh**, Huntersville, NC (US)

Amazon | STKR Concepts Flexit Pocket Light, posted on May 6, 2021 © 1996-2022, Amazon.com, Inc. [online], site visited Nov. 2, 2022]. Available from Internet, <URL: <https://www.amazon.com/Dongtai-Headlamp-Rechargeable-Waterproof-Headband/dp/B095YP44DX>> (Year: 2021).*

(72) Inventors: **James Michael Burry**, Troutman, NC (US); **Adrian Richard Tetteh**, Huntersville, NC (US)

Amazon | STKR Concepts Flexit Pocket Light, posted on May 6, 2021 © 1996-2022, Amazon.com, Inc. [online], site visited Nov. 2, 2022]. Available from Internet, <URL: <https://www.amazon.com/STKR-Concepts-Flexible-Rechargeable-Emergencies/dp/B094BTM4NY?th=1>> (Year: 2021).*

(73) Assignee: **BISS PRODUCT DEVELOPMENT, LLC**, Troutman, NC (US)

Facebook | STKR Concepts, posted on Aug. 10, 2021, © Meta 2022 [online], [site visited Nov. 2, 2022]. Available from Internet, <URL: <https://www.facebook.com/stkrconcepts/photos/a.102885649764517/4222235644496143>> (Year: 2021).*

(**) Term: **15 Years**

* cited by examiner

(21) Appl. No.: **29/788,513**

(22) Filed: **Jun. 15, 2021**

Primary Examiner — Cary M Robinson

(51) **LOC (14) Cl.** **26-02**

Assistant Examiner — Julie Marie Bailey

(52) **U.S. Cl.**

(57) **CLAIM**

USPC **D26/43**; D26/44

The ornamental design for a flexible flashlight, as shown and described.

(58) **Field of Classification Search**

DESCRIPTION

USPC D26/37, 43, 44, 61, 62, 63; D8/17, 22; D10/39

CPC ... F21L 4/005; F21L 4/04; F21L 4/045; F21L 4/027; F21L 14/02; F21Y 2113/13

See application file for complete search history.

FIG. 1 is a front perspective view of a flexible flashlight, showing our new design;

FIG. 2 is a front elevation view thereof;

FIG. 3 is a rear elevation view thereof;

FIG. 4 is a left side elevation view thereof;

FIG. 5 is a right side elevation view thereof;

FIG. 6 is a top plan view thereof;

FIG. 7 is a bottom plan view thereof; and,

FIG. 8 is the front perspective view of the flexible flashlight, shown in use.

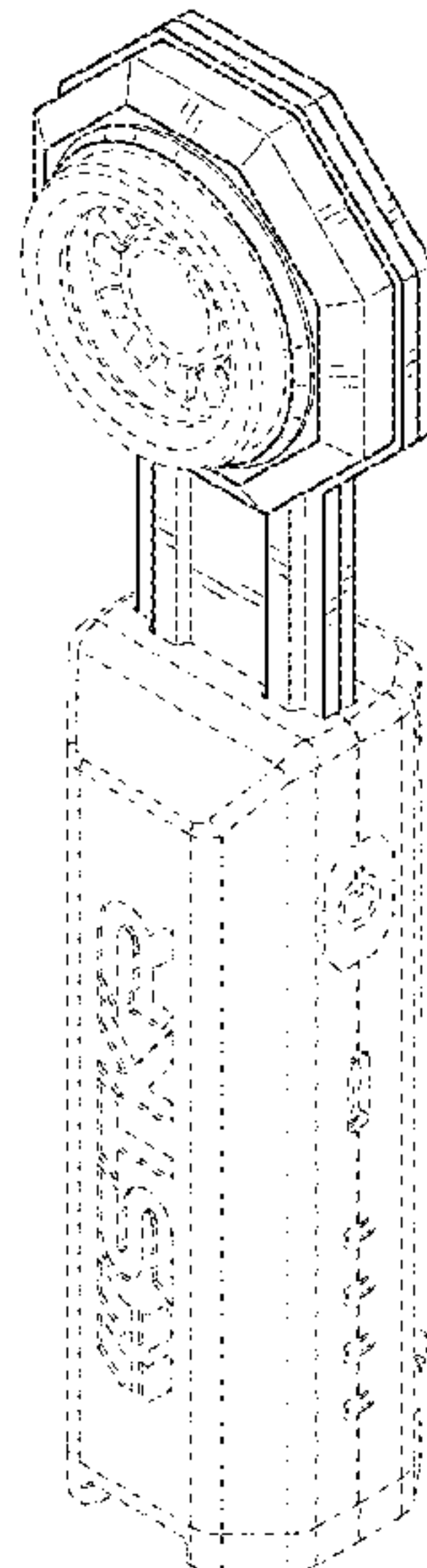
The broken lines shown in the drawings depict portions of the flexible flashlight that form no part of the claimed design.

(56) **References Cited**

U.S. PATENT DOCUMENTS

D373,211 S *	8/1996	Heun	F21L 15/06
				D26/44
D455,510 S *	4/2002	Galli	D26/37
D596,771 S *	7/2009	Lee	D26/46
D818,166 S *	5/2018	Bao	D26/44
D848,290 S *	5/2019	Janzen	D10/39
D930,205 S *	9/2021	Bao	D26/44
2002/0149930 A1 *	10/2002	Parker	F21L 15/06
				362/202

1 Claim, 3 Drawing Sheets



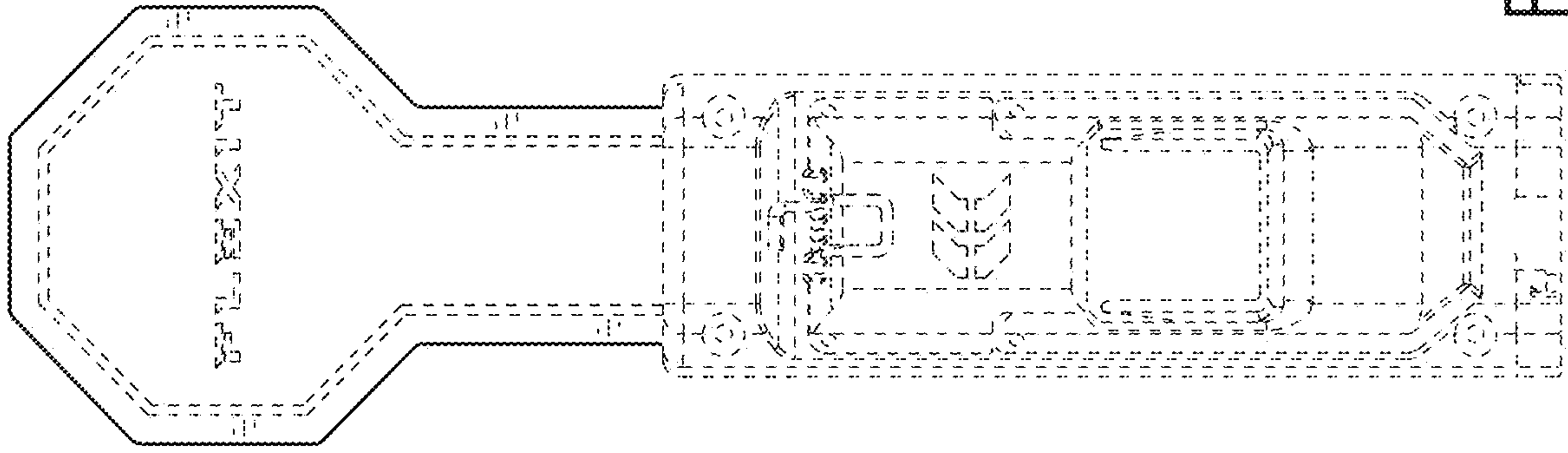


FIG. 1

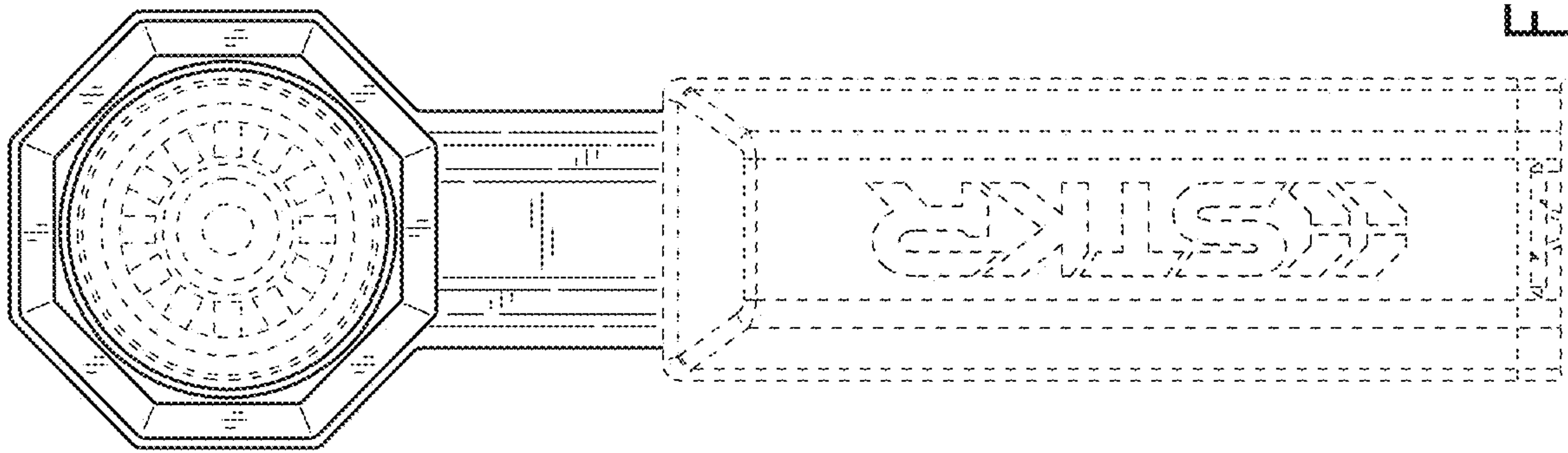


FIG. 2

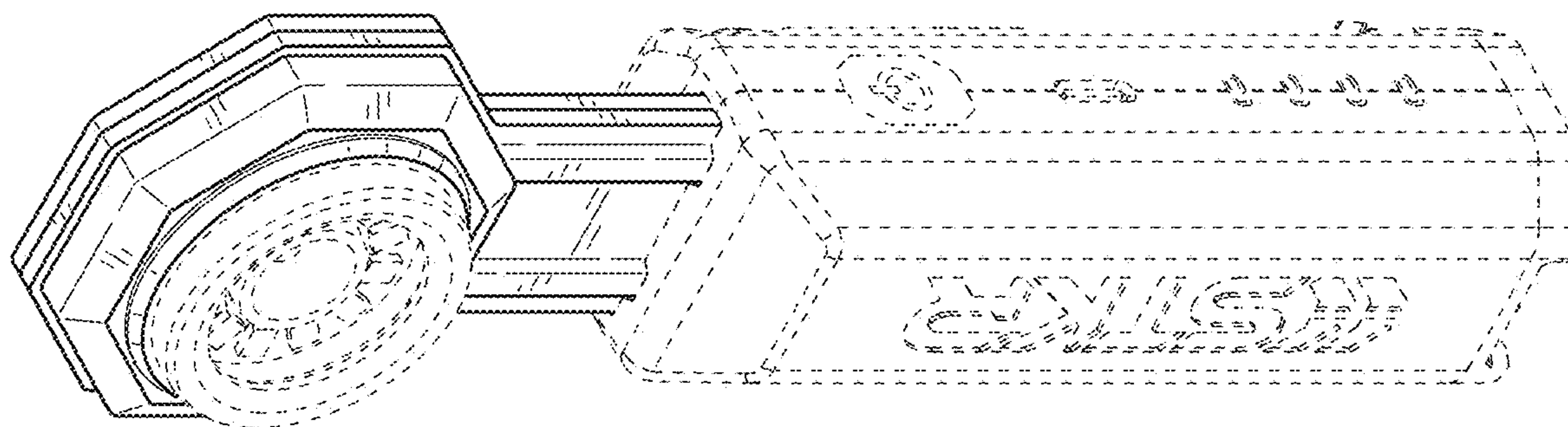


FIG. 3

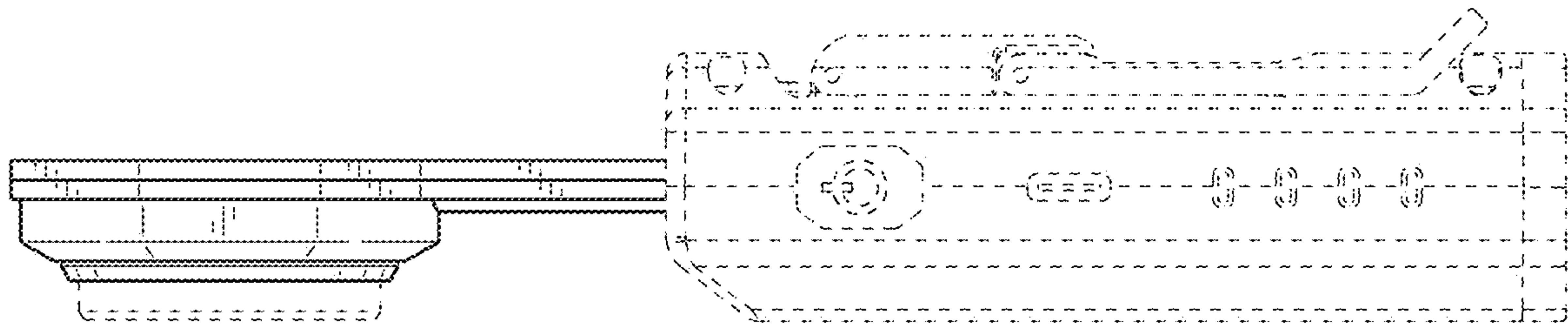


FIG. 5

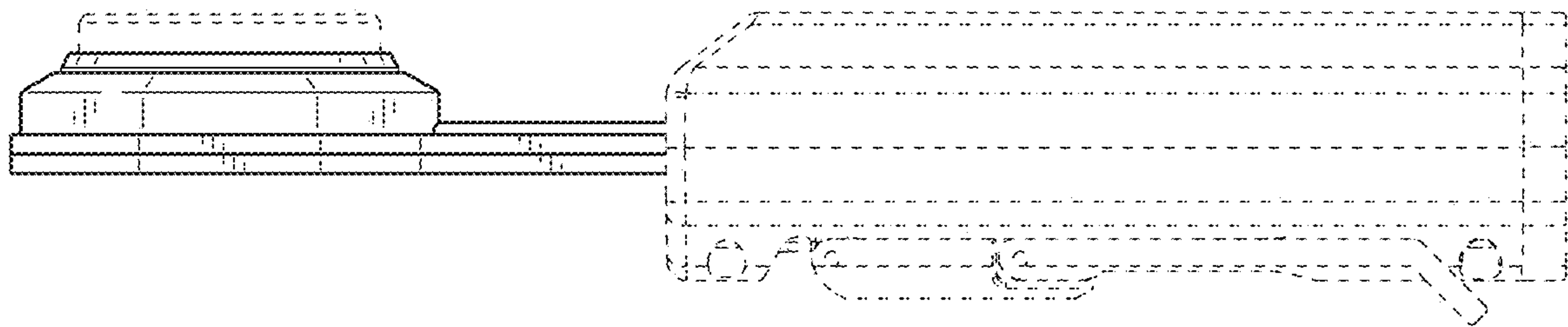


FIG. 4

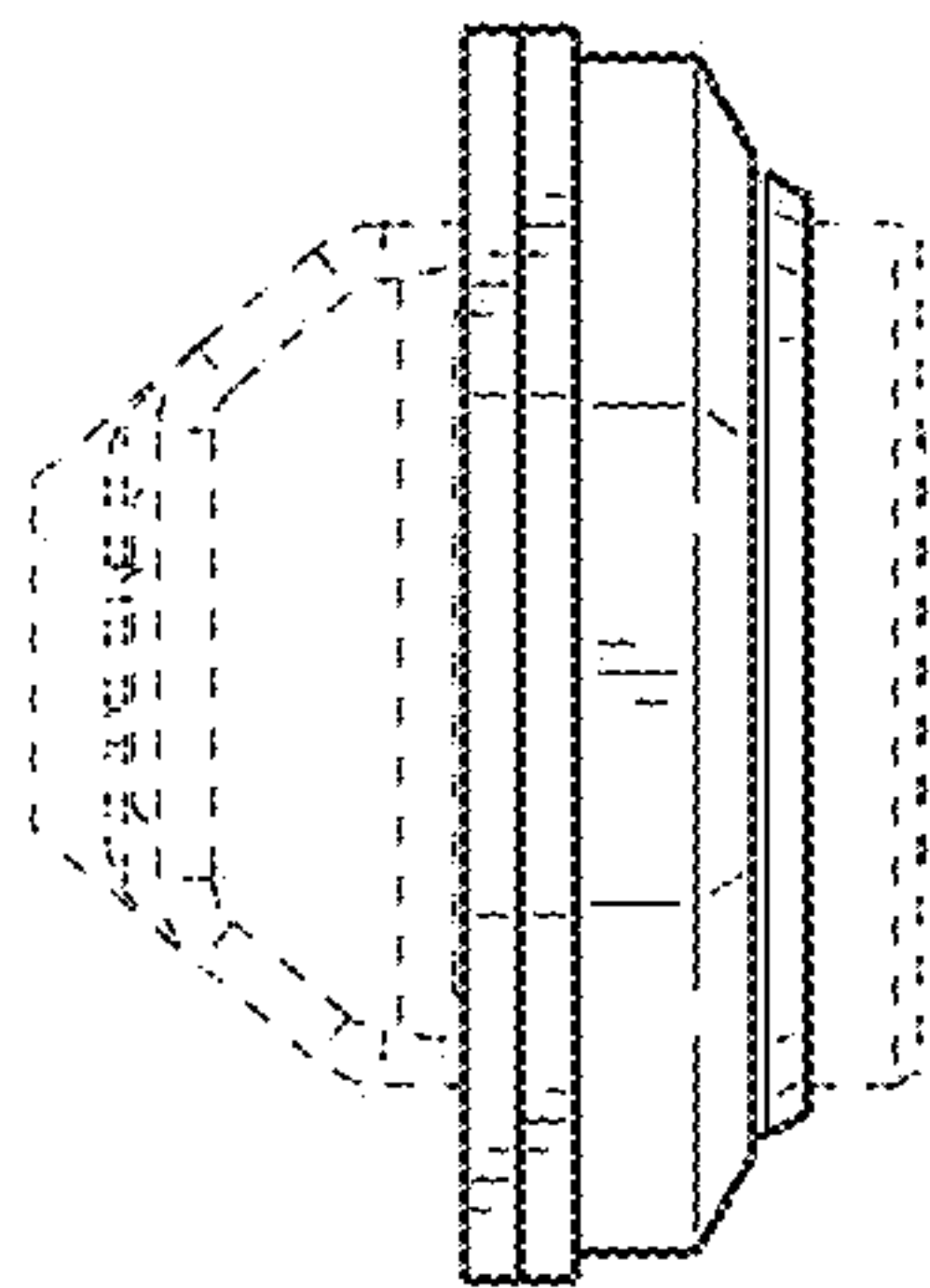


FIG. 6

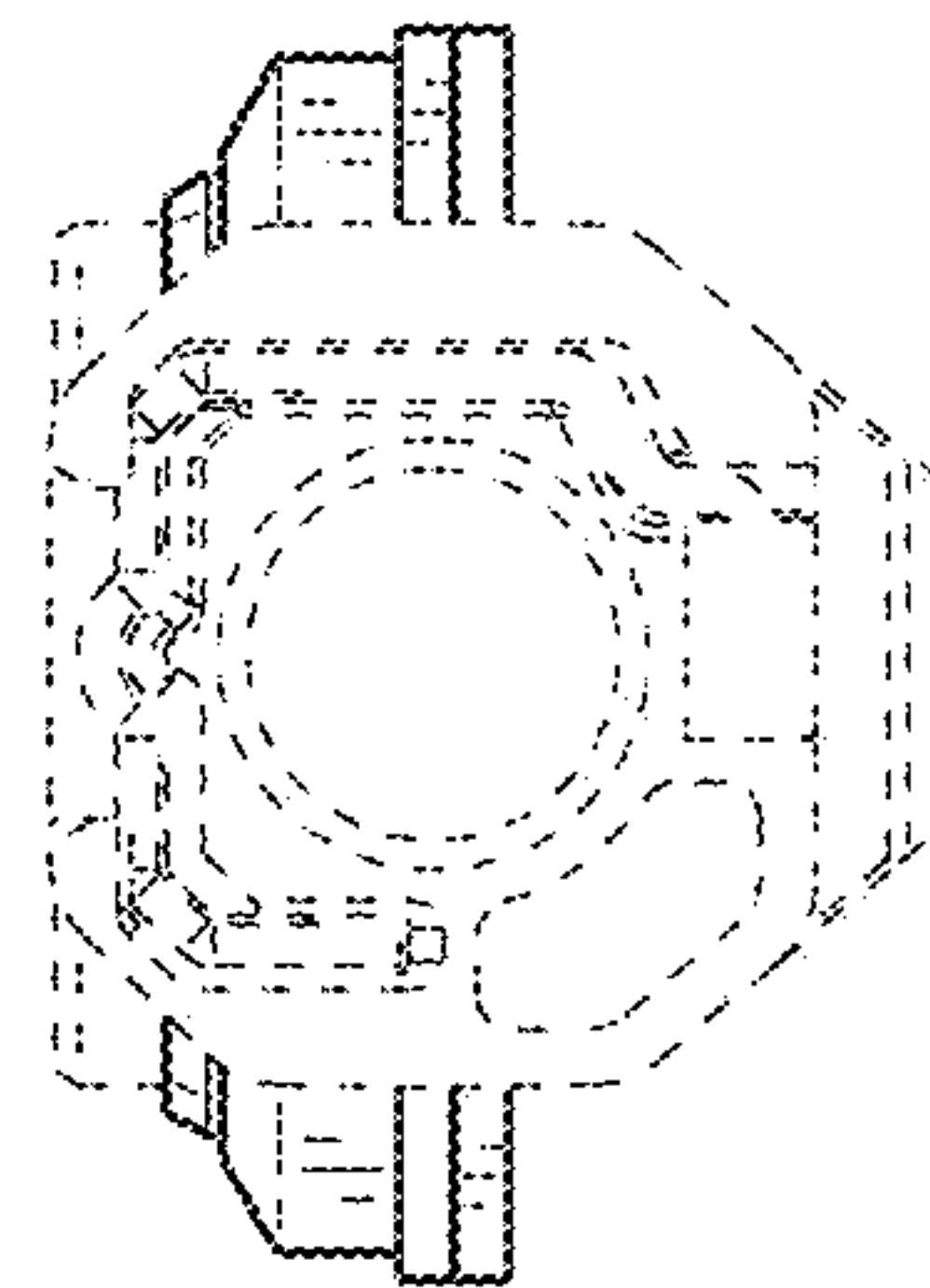


FIG. 7

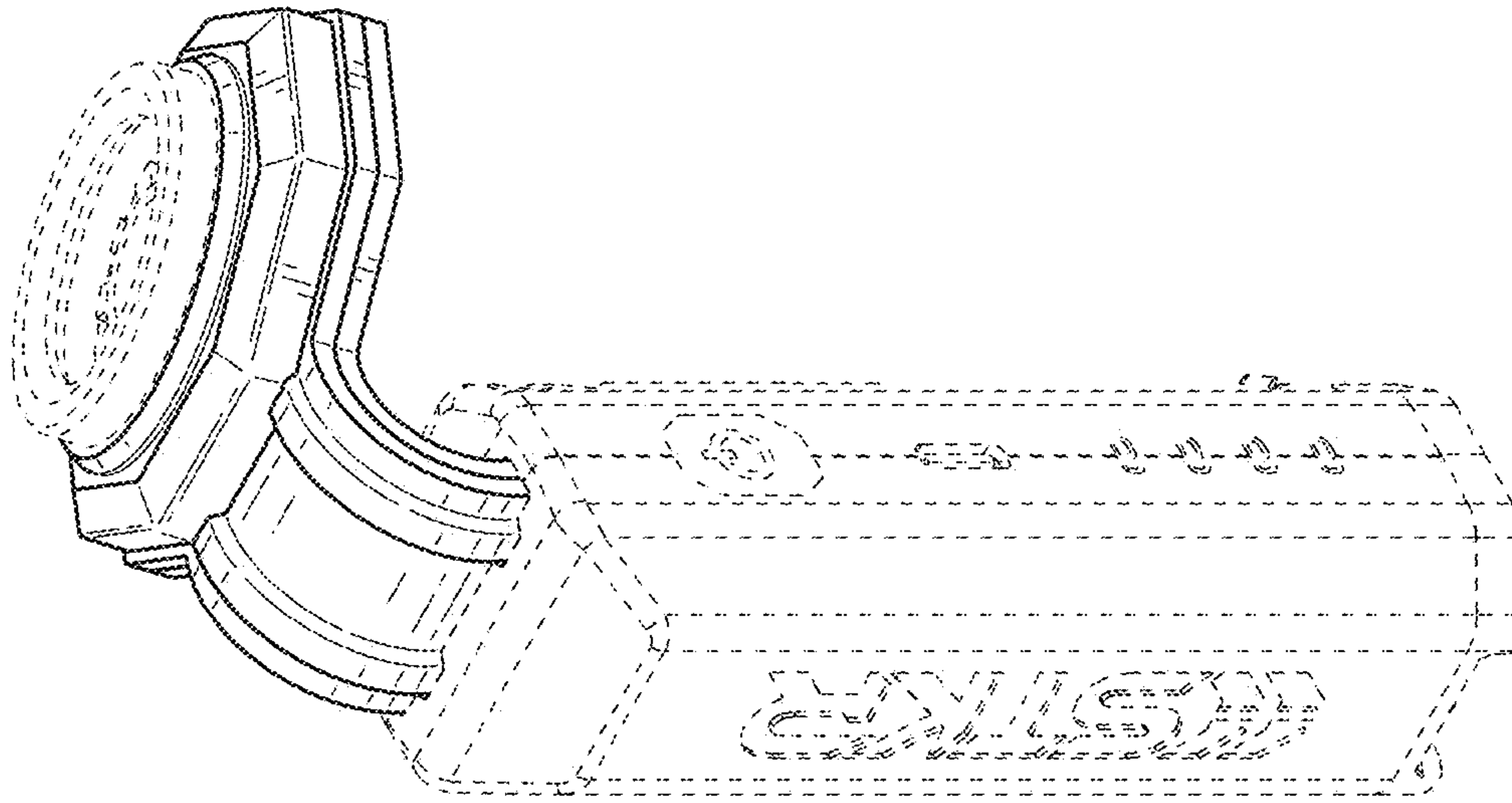


FIG. 8