



US00D986455S

(12) **United States Design Patent** (10) **Patent No.:** **US D986,455 S**
Chen (45) **Date of Patent:** **** May 16, 2023**

(54) **HEAD LAMP**

(71) Applicant: **Heshan Pace Technology Co., Ltd.**,
Heshan (CN)

(72) Inventor: **Qiusheng Chen**, Heshan (CN)

(73) Assignee: **HESHAN PACE TECHNOLOGY
CO., LTD.**, Heshan (CN)

(**) Term: **15 Years**

(21) Appl. No.: **29/766,266**

(22) Filed: **Jan. 14, 2021**

(51) **LOC (14) Cl.** **26-02**

(52) **U.S. Cl.**
USPC **D26/39**

(58) **Field of Classification Search**

USPC D26/24, 37-52, 113, 138
CPC F21Y 2115/10; F21Y 2113/13; F21Y
2115/30; F21Y 2113/10; F21Y 2105/12;
F21Y 2107/00; F21Y 2113/00; F21Y
2113/17; F21Y 2113/20; F21Y 2115/00;
F21V 21/084; F21V 23/0414; F21V
23/0492; F21V 23/002; F21V 21/0816;
F21V 21/30; F21V 23/003; F21V
23/0471; F21V 14/06; F21V 15/01; F21V
17/02; F21V 21/096; F21V 21/0965;
F21V 21/145; F21V 23/023; F21V
23/0442; F21V 14/02; F21V 14/025;
F21V 14/04; F21V 17/007; F21V 17/06;
F21V 17/12; F21V 21/002; F21V
21/0885; F21V 21/10; F21V 23/007;
F21V 23/02; F21V 23/0464; F21V
(Continued)

(56) **References Cited**

U.S. PATENT DOCUMENTS

D562,475 S * 2/2008 Hojer D26/28
D877,950 S * 3/2020 Yau D26/39

(Continued)

OTHER PUBLICATIONS

350 Lumens Broad Range LED Water/Impact Resistant Headlamp.
By Husky. Dated Jul. 31, 2021. Found online [Mar. 28, 2022].
<https://www.homedepot.com/p/Husky-350-Lumens-Broad-Range-LED-Water-Impact-Resistant-Headlamp-Flashlight-with-9-Modes-and-Batteries-7531-HH350/314846689#overlay> (Year: 2021).*

(Continued)

Primary Examiner — Mark A Goodwin

Assistant Examiner — William B Melliar

(74) *Attorney, Agent, or Firm* — Ware, Fressola, Maguire
& Barber LLP

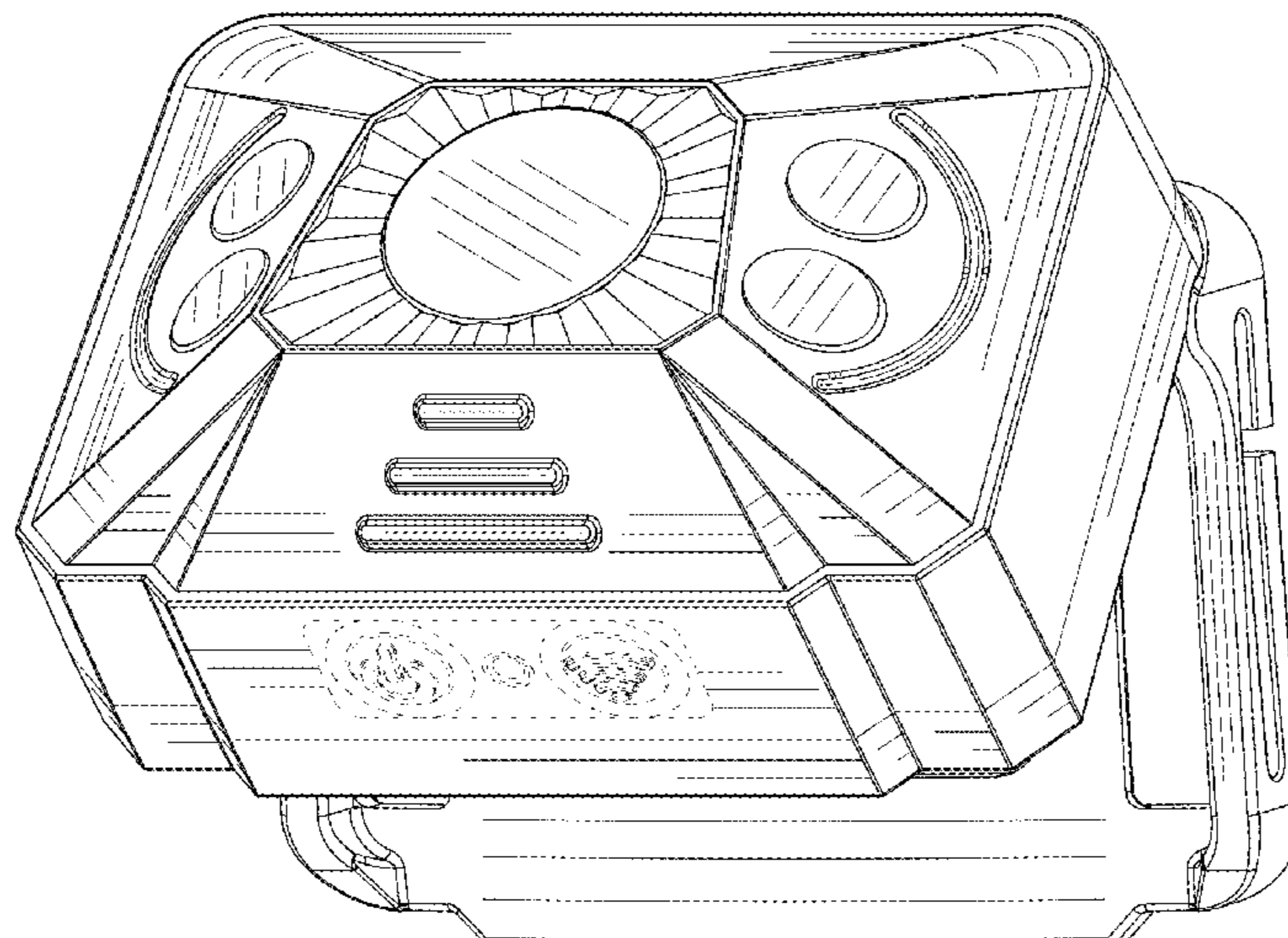
(57) **CLAIM**

The ornamental design for a head lamp, as shown and
described.

DESCRIPTION

FIG. 1 is a front-top perspective view of a head lamp of the
present disclosure;
FIG. 2 is a rear-bottom perspective view of the head lamp
shown in FIG. 1;
FIG. 3 is a front-bottom perspective view of the head lamp
shown in FIG. 1;
FIG. 4 is a front elevational view of the head lamp shown in
FIG. 1;
FIG. 5 is a rear elevational view of the head lamp shown in
FIG. 1;
FIG. 6 is a left-side elevational view of the head lamp shown
in FIG. 1;
FIG. 7 is a right-side elevational view of the head lamp
shown in FIG. 1;
FIG. 8 is a top plan view of the head lamp shown in FIG. 1;
and,
FIG. 9 is a bottom plan view of the head lamp shown in FIG.
1.
The broken lines immediately adjacent the shaded areas
represent the bounds of the claimed design while all other
broken lines depict portions of the head lamp; the broken
lines form no part of the claimed design.

1 Claim, 9 Drawing Sheets



(58) **Field of Classification Search**

CPC .. 23/0478; F21V 23/0485; F21V 29/15; F21V
29/70; F21V 33/0008; F21V 5/004; F21V
5/006; F21V 5/008; F21V 5/08; F21V
7/00; F21V 7/09; F21V 9/30

See application file for complete search history.

(56) **References Cited**

U.S. PATENT DOCUMENTS

D884,234 S	*	5/2020	Bao	D26/39
D919,144 S	*	5/2021	Gao	D26/39
D932,671 S	*	10/2021	Bertken	D26/39
2021/0348734 A1	*	11/2021	Bertken	F21V 23/0414

OTHER PUBLICATIONS

250 Lumen LED Motion Activated Headlamp. By Duracell. Dated Sep. 22, 2021. Found online [Mar. 28, 2022]. <https://www.homedepot.com/p/Duracell-250-Lumen-LED-Motion-Activated-Headlamp-3-Modes-with-Batteries-7173-DH250/316391326#overlay> (Year: 2021).*

Nitecore NU32 550 Lumen LED Rechargeable Headlamp. By Nitecore. Dated May 3, 2018. Found online [Mar. 28, 2022]. <https://www.amazon.com/NITECORE-NU32-Rechargeable-Headlamp-LumenTac/dp/B07CV3VTYB> (Year: 2018).*

* cited by examiner

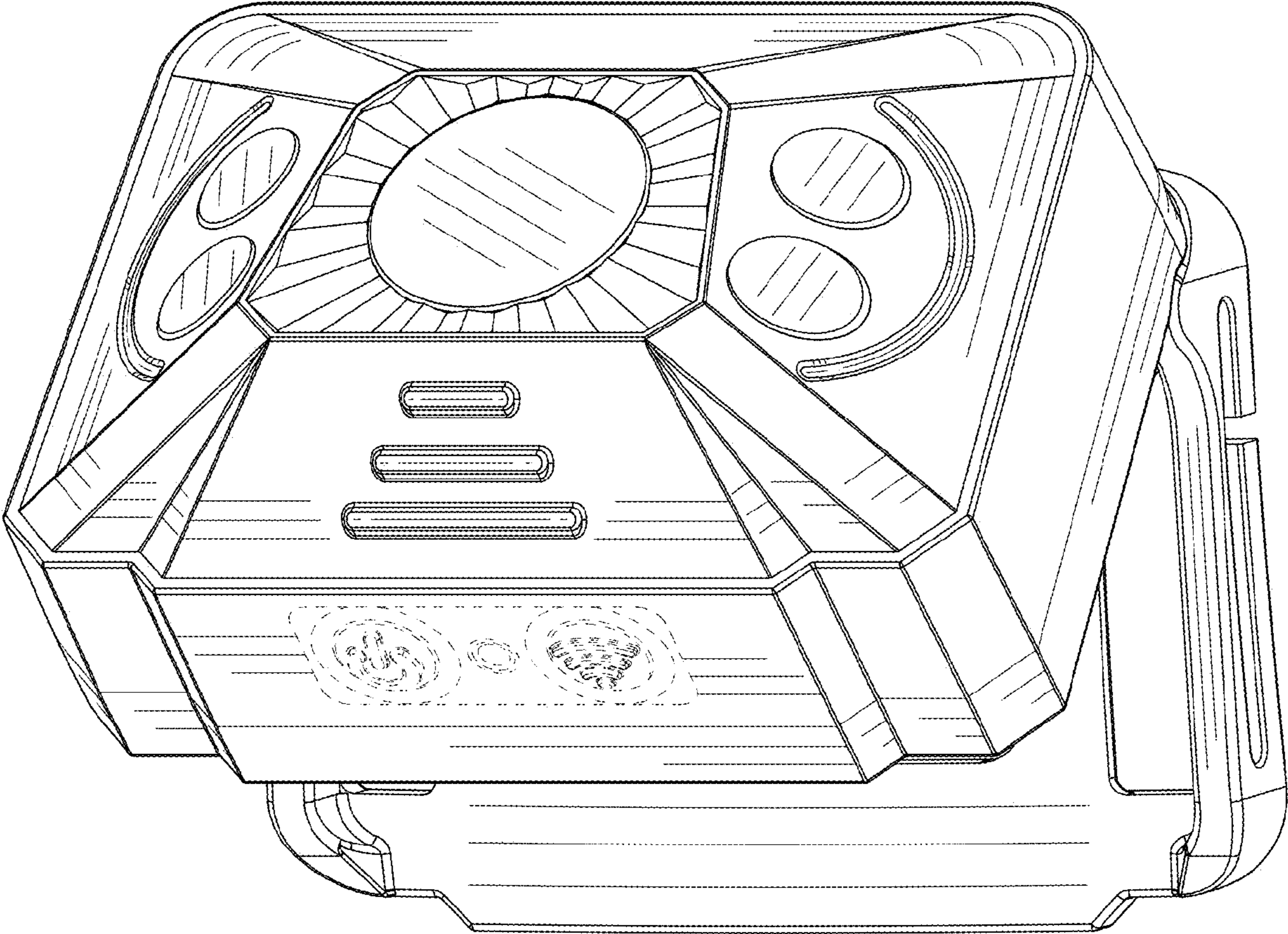


FIG. 1

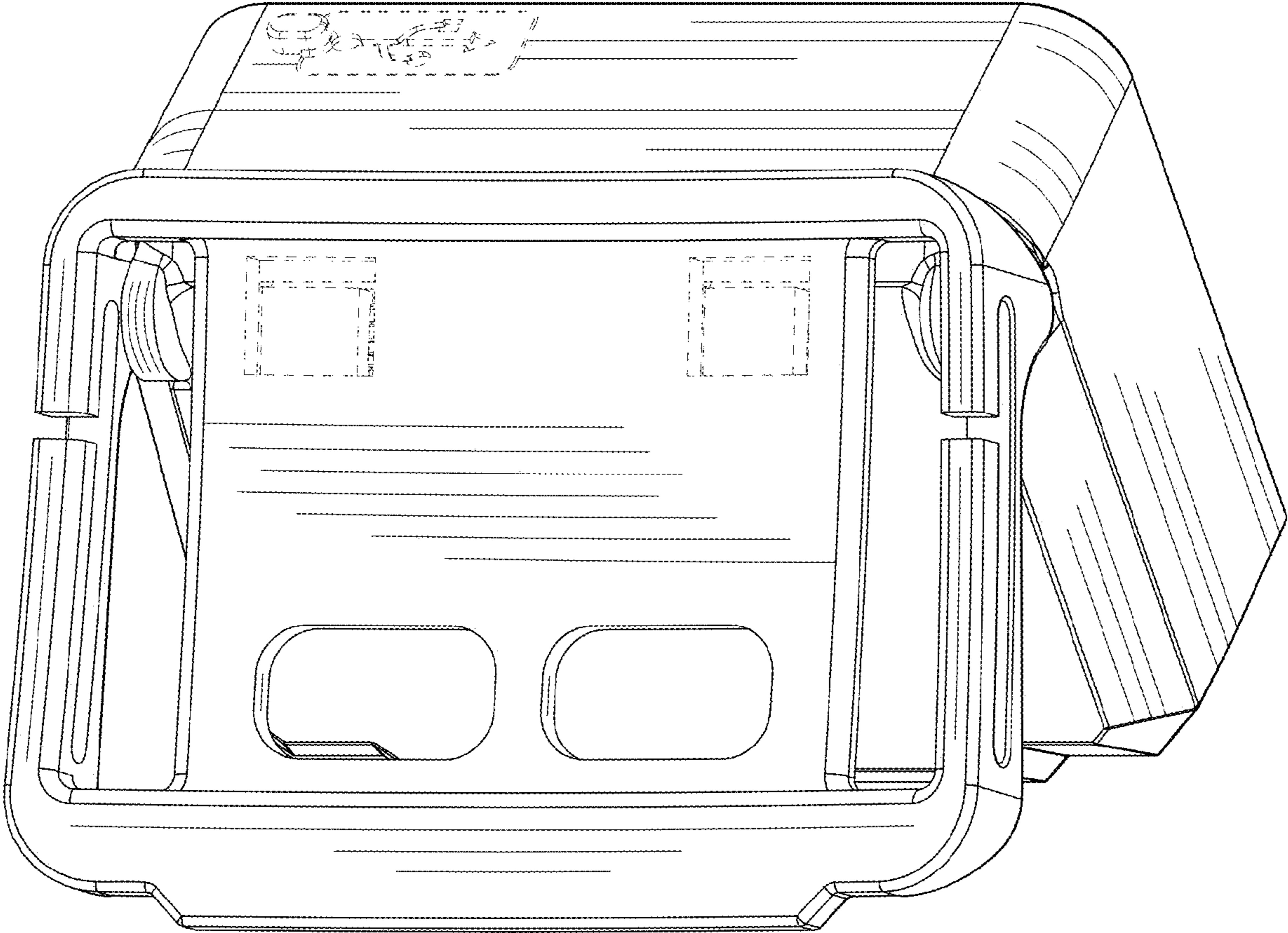


FIG.2

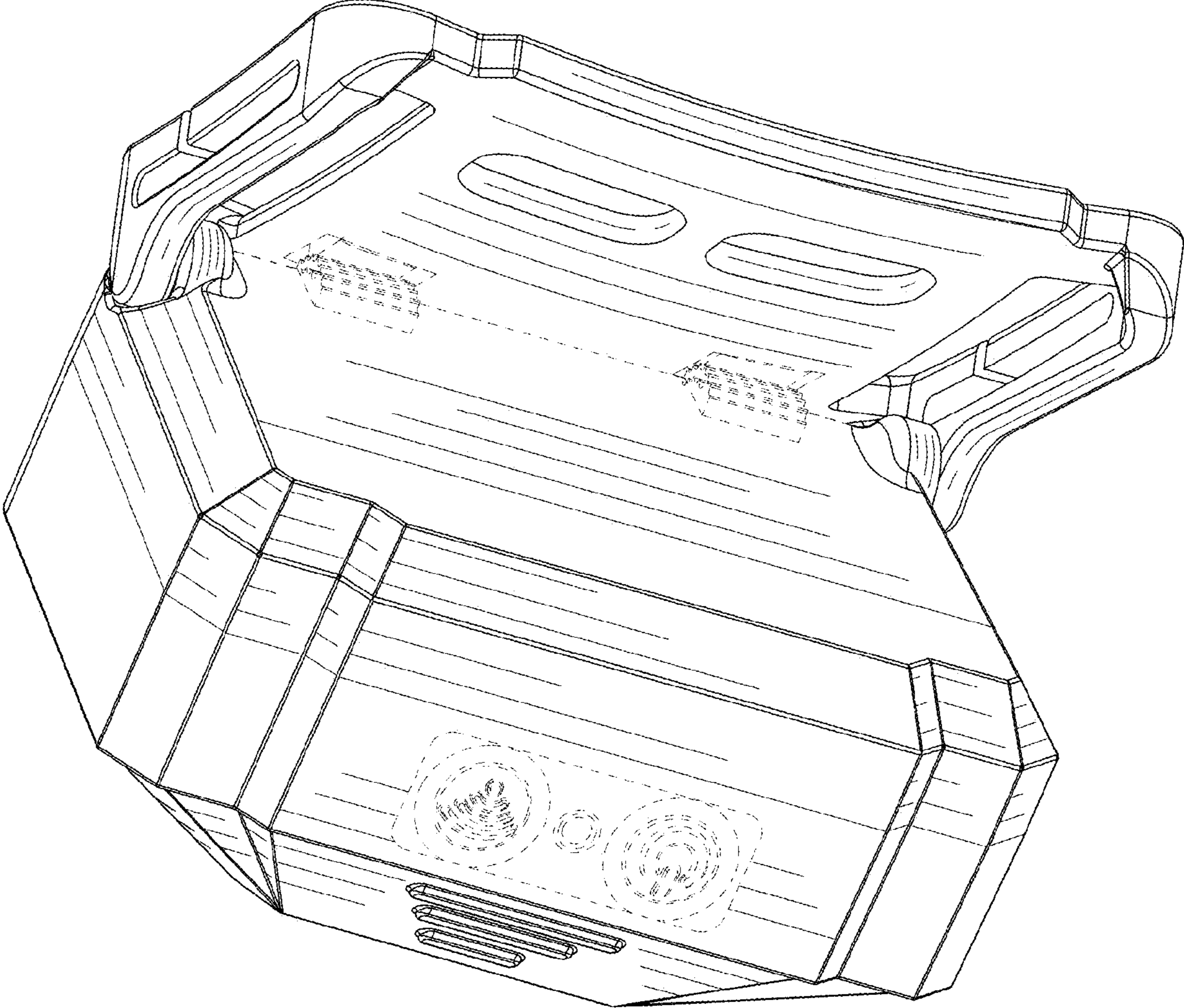


FIG.3

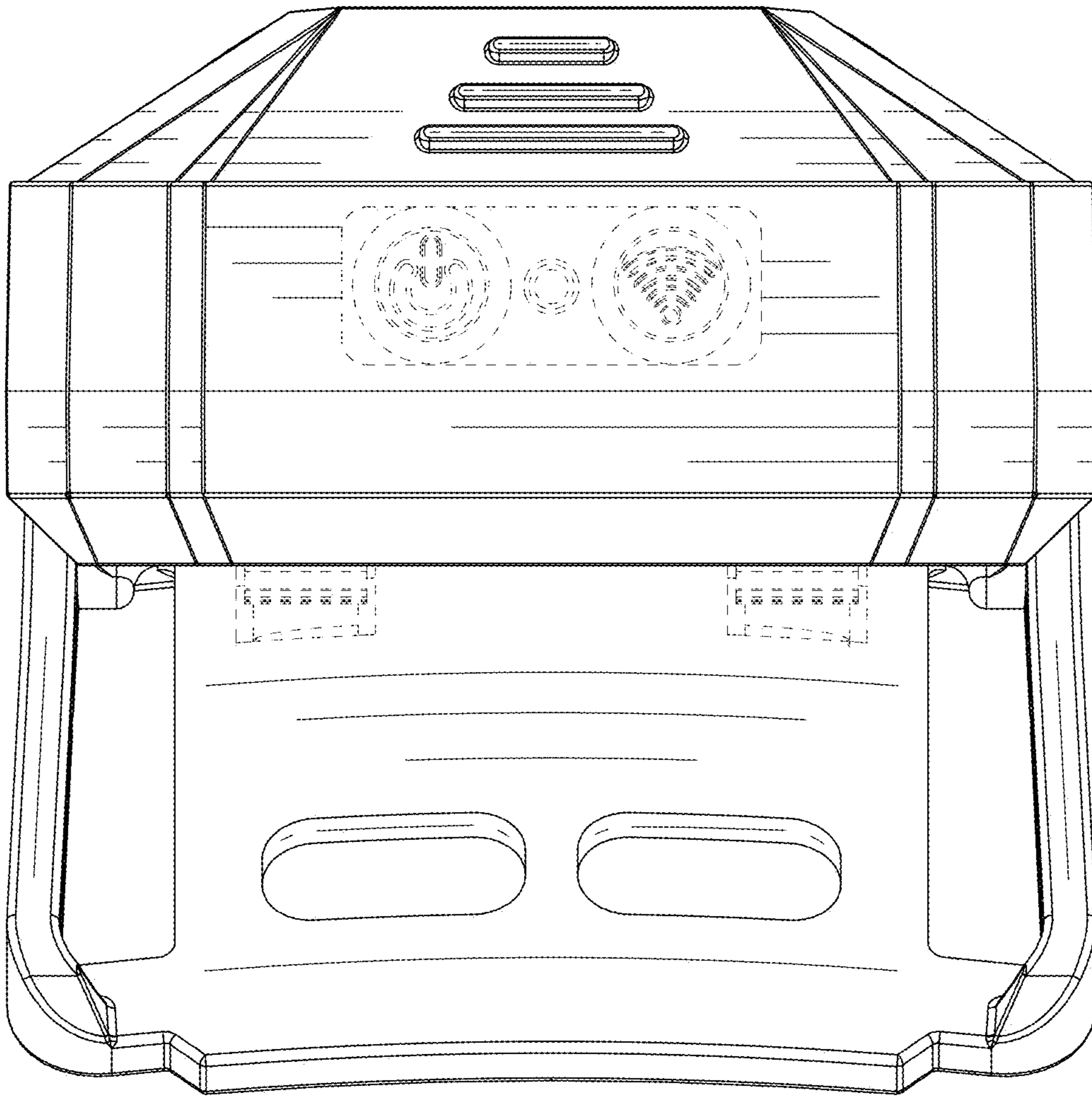


FIG.4

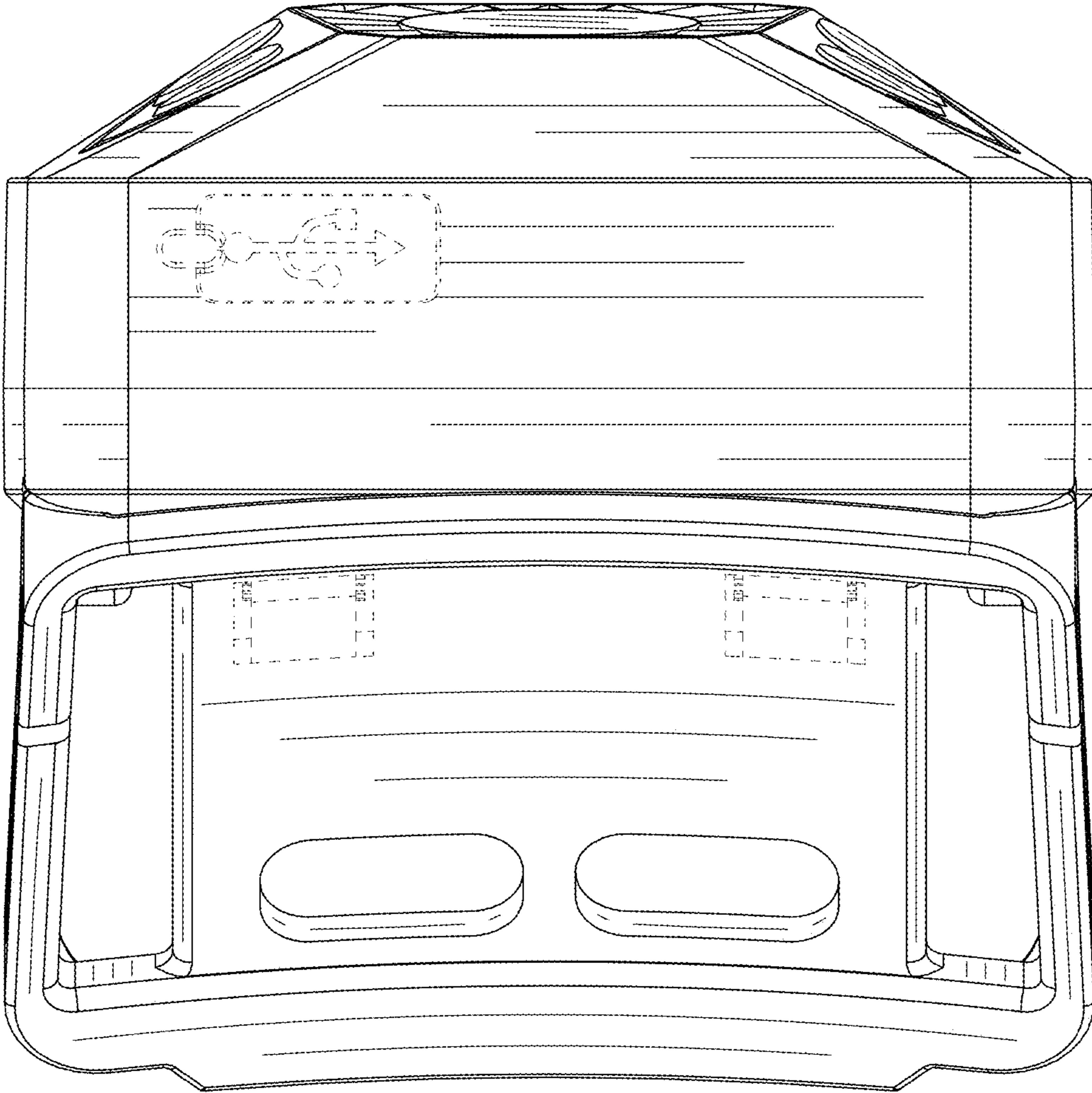


FIG.5

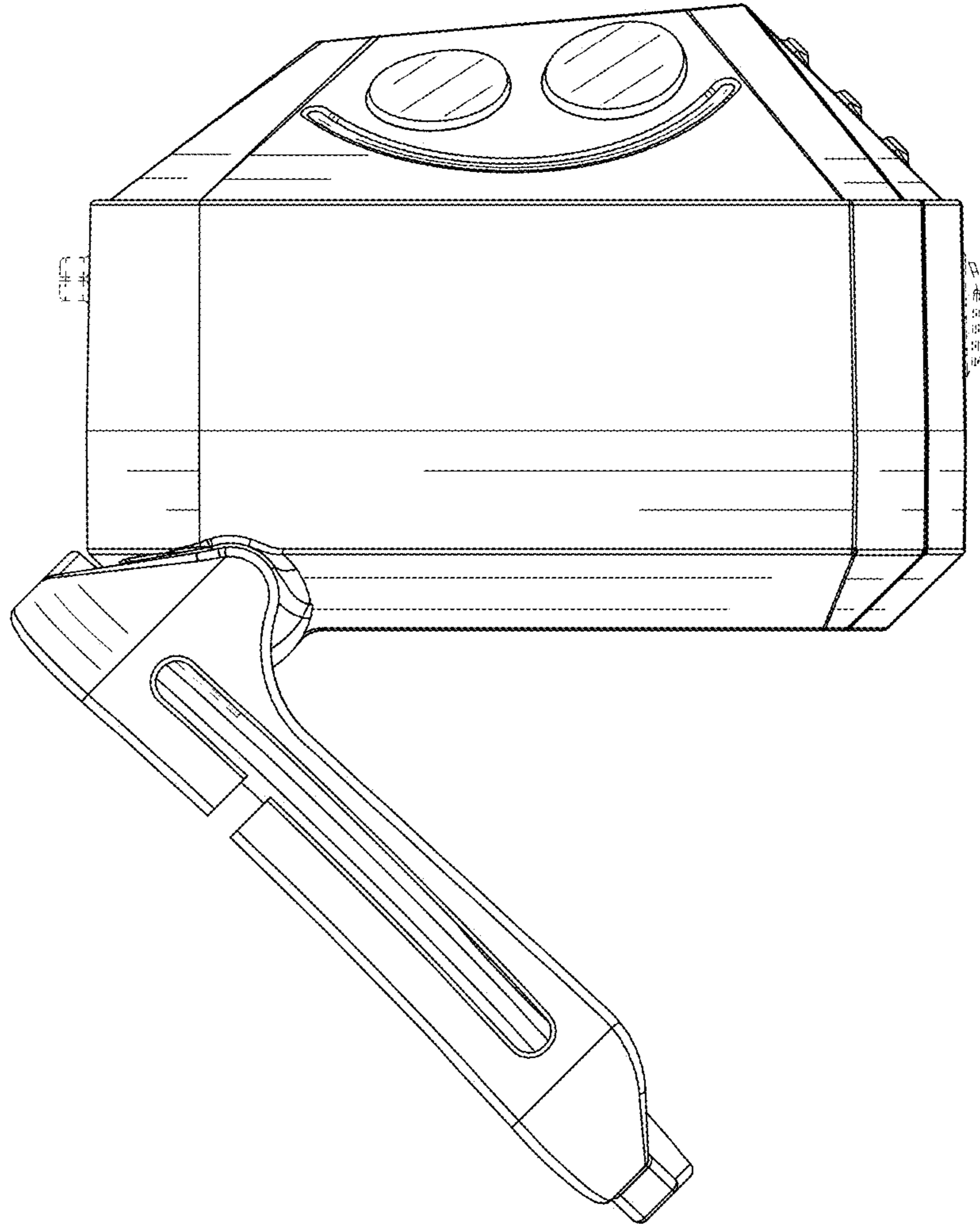


FIG.6

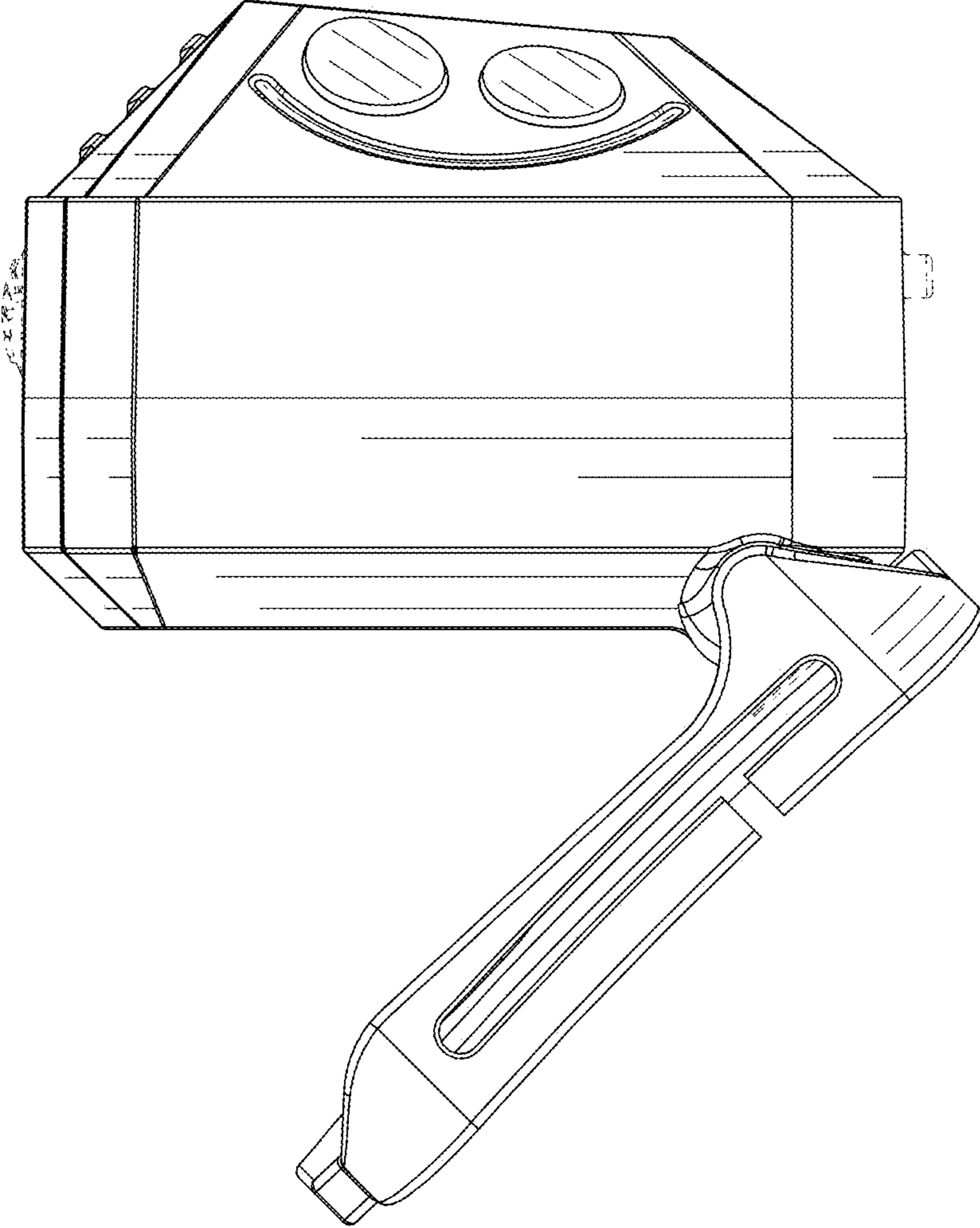


FIG. 7

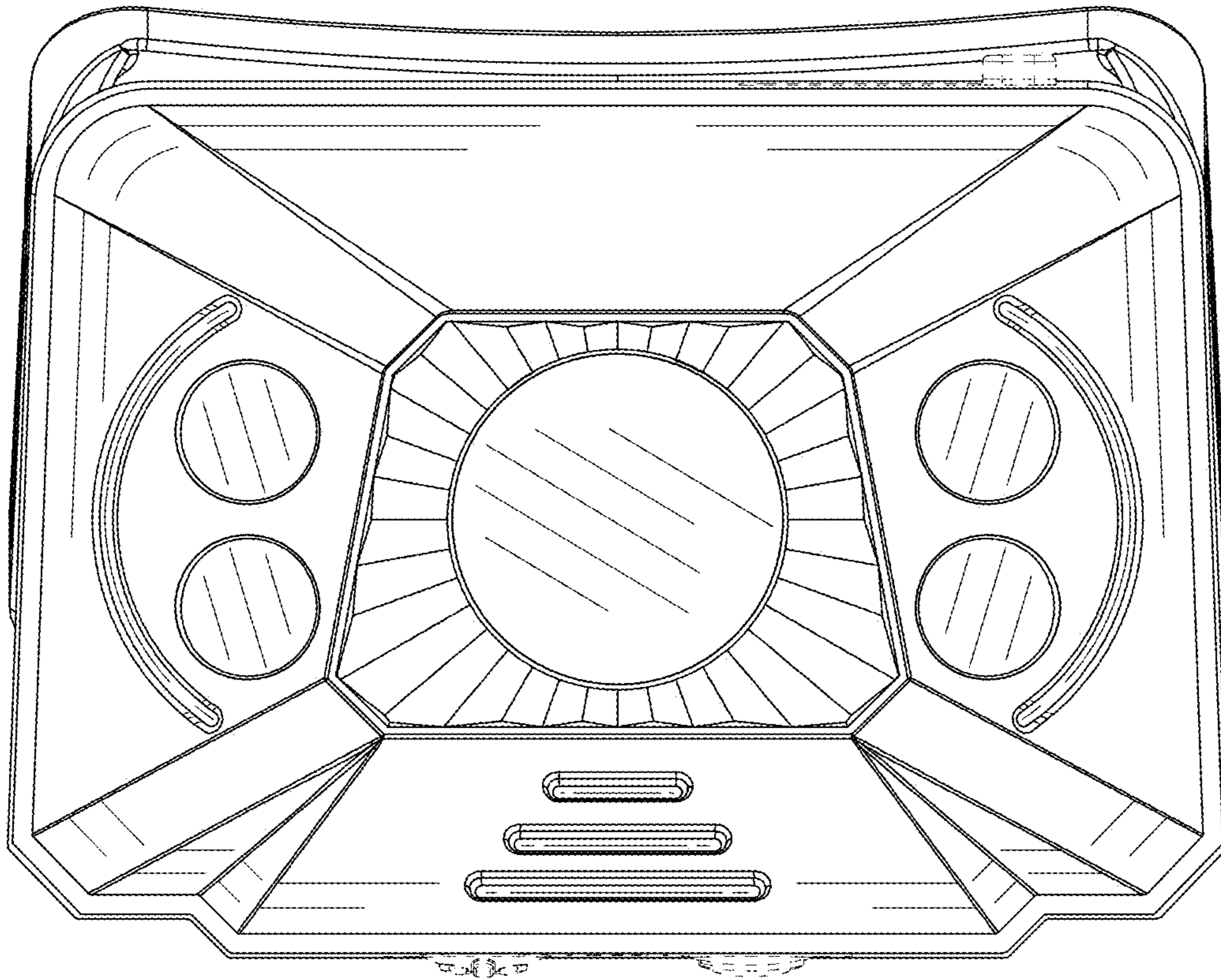


FIG.8

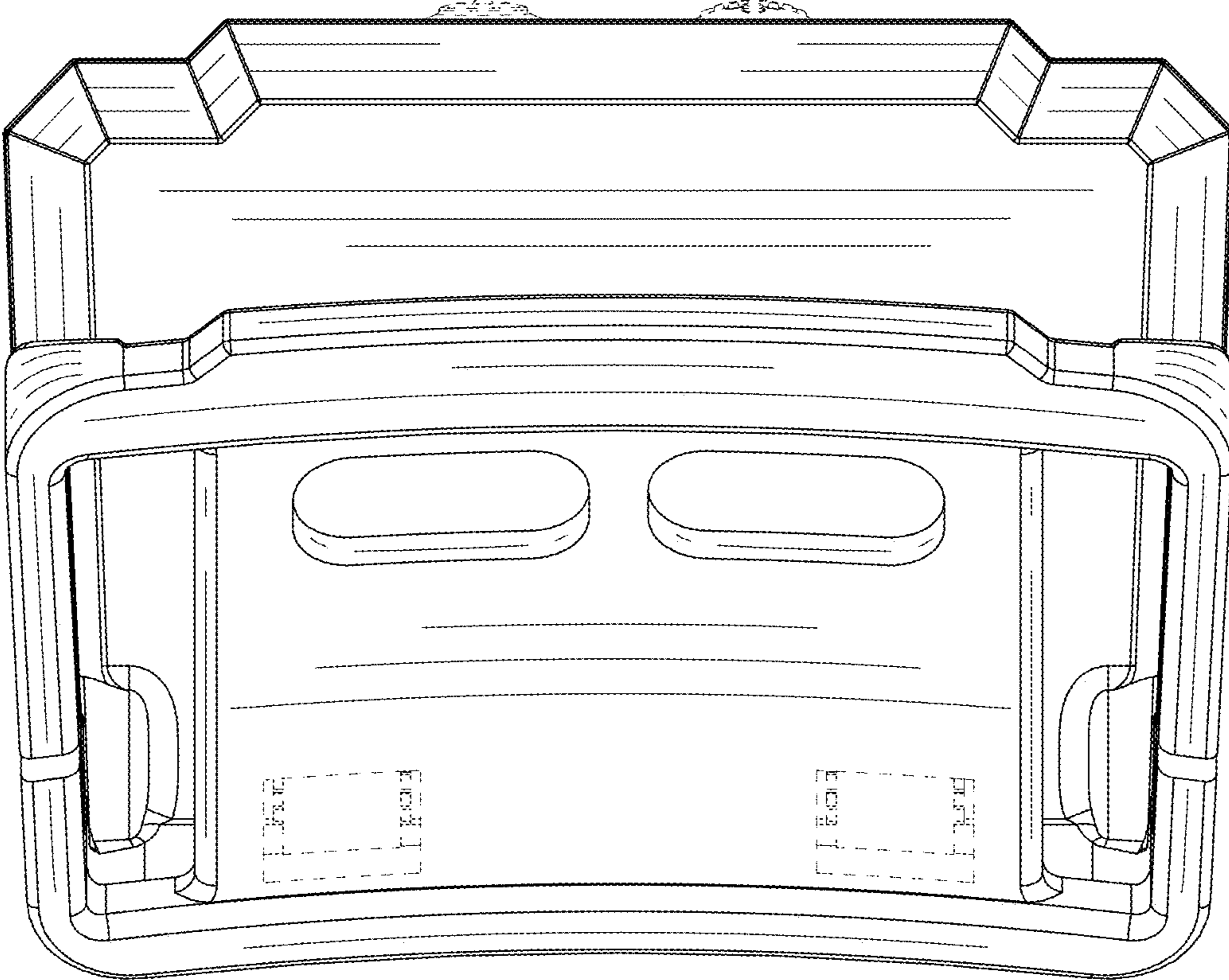


FIG.9