



US00D986452S

(12) **United States Design Patent**  
**Yamaji**

(10) **Patent No.:** **US D986,452 S**

(45) **Date of Patent:** **\*\* May 16, 2023**

(54) **FRONT COMBINATION LAMP FOR AN  
AUTOMOBILE**

(71) Applicant: **TOYOTA JIDOSHA KABUSHIKI  
KAISHA**, Toyota (JP)

(72) Inventor: **Masayuki Yamaji**, Miyoshi (JP)

(73) Assignee: **TOYOTA JIDOSHA KABUSHIKI  
KAISHA**, Toyota (JP)

(\*\*) Term: **15 Years**

(21) Appl. No.: **29/804,721**

(22) Filed: **Aug. 23, 2021**

(30) **Foreign Application Priority Data**

Feb. 25, 2021 (JP) ..... 2021-003853 D

(51) **LOC (14) Cl.** ..... **26-06**

(52) **U.S. Cl.**  
USPC ..... **D26/28**

(58) **Field of Classification Search**  
USPC ..... D26/28-36, 139  
CPC ..... B60Q 1/02; B60Q 1/04  
See application file for complete search history.

(56) **References Cited**

**U.S. PATENT DOCUMENTS**

D514,240 S *	1/2006	Hirose	.....	D26/28
D715,472 S *	10/2014	Hildebrand	.....	D26/28
D855,845 S *	8/2019	Takei	.....	D26/28
D869,016 S *	12/2019	Hirai	.....	D26/28
D869,715 S *	12/2019	Shim	.....	D26/35
D887,601 S *	6/2020	Yun	.....	D26/35
D889,697 S *	7/2020	Tovey	.....	D26/28
D908,257 S *	1/2021	Sato	.....	D26/28
D908,934 S *	1/2021	Sato	.....	D26/28

D924,450 S *	7/2021	Fukunaga	.....	D26/28
D932,068 S *	9/2021	Fukunaga	.....	D26/28
D948,089 S *	4/2022	Sakaue	.....	D26/28
D951,501 S *	5/2022	Hirai	.....	D26/28
D957,016 S *	7/2022	Lee	.....	D26/28
D961,822 S *	8/2022	Jung	.....	D26/28
D964,608 S *	9/2022	Asano	.....	D26/28
D964,609 S *	9/2022	Asano	.....	D26/28
D964,611 S *	9/2022	Akojima	.....	D26/28

**OTHER PUBLICATIONS**

netcarshow.com, Lexus ES (2019) <[https://www.netcarshow.com/lexus/2019-es\\_eu-version/](https://www.netcarshow.com/lexus/2019-es_eu-version/)>, available as early as May 21, 2020.

netcarshow.com, Lexus LS 500 (2018) <[https://www.netcarshow.com/lexus/2018-ls\\_500/](https://www.netcarshow.com/lexus/2018-ls_500/)>, available as early as May 21, 2019.

\* cited by examiner

*Primary Examiner* — Keli L Hill

*Assistant Examiner* — Harold E Blackwell, II

(74) *Attorney, Agent, or Firm* — Saidman DesignLaw Group, LLC

(57) **CLAIM**

The ornamental design for a front combination lamp for an automobile, as shown and described.

**DESCRIPTION**

FIG. 1 is a perspective view of a front combination lamp for an automobile showing my new design;

FIG. 2 is a front view thereof;

FIG. 3 is a rear view thereof;

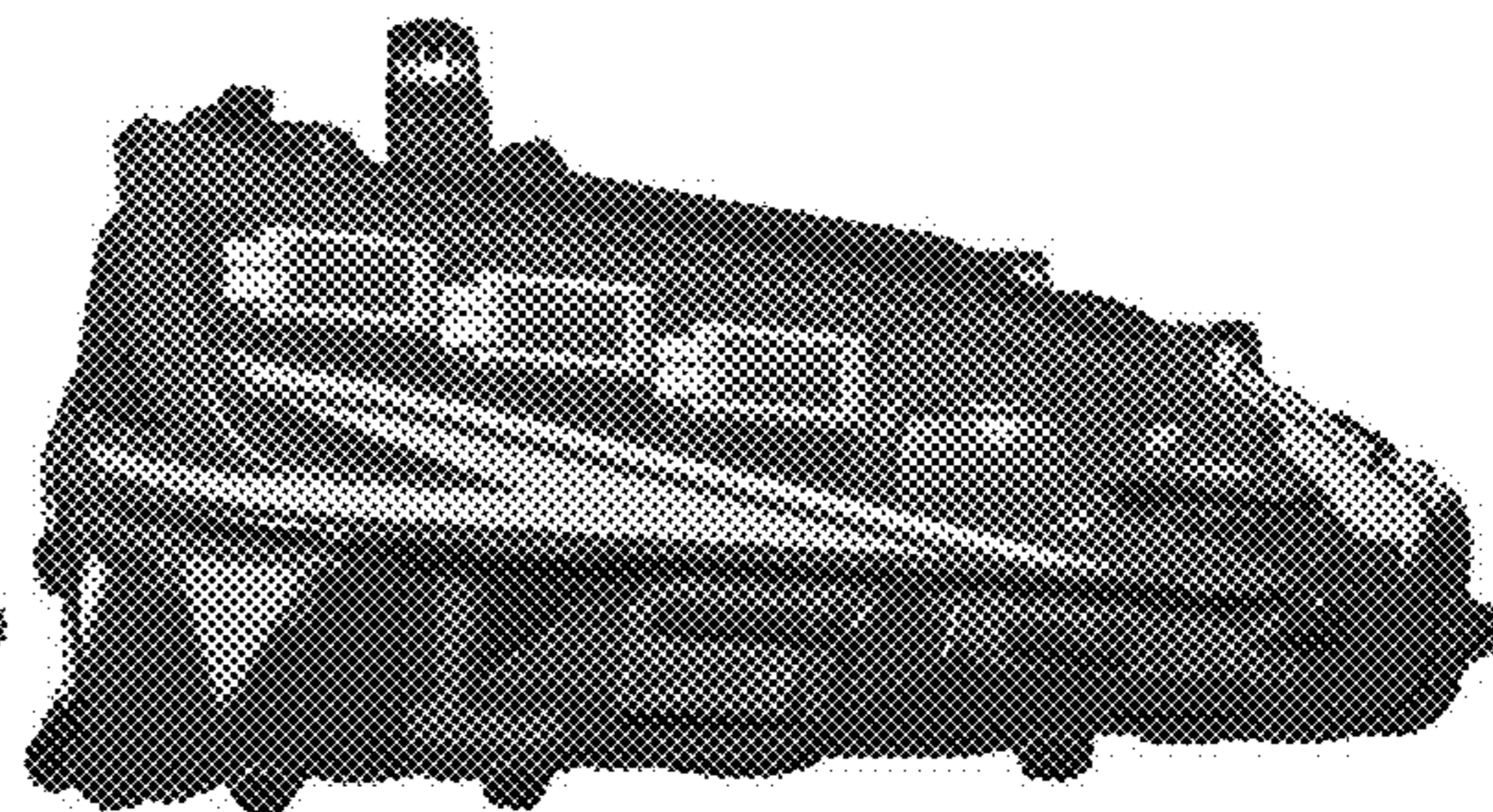
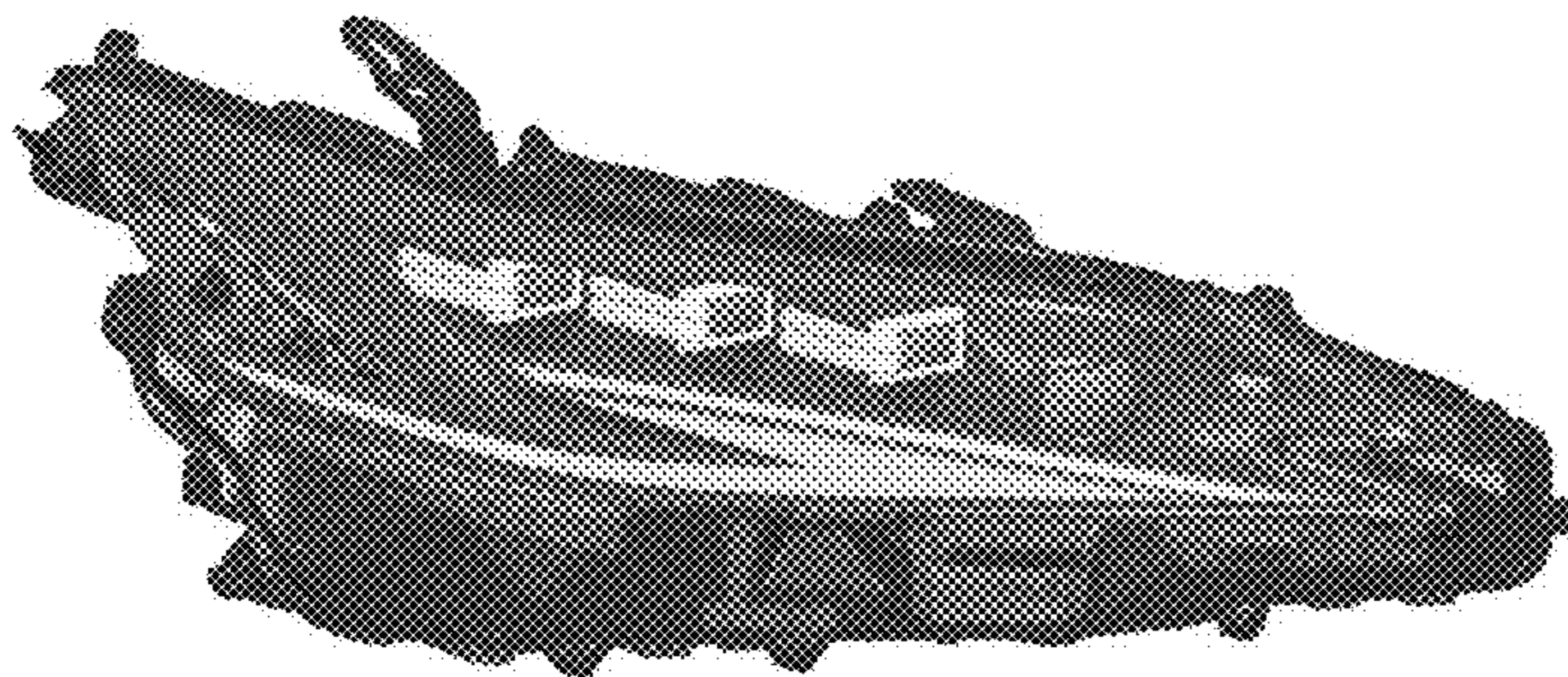
FIG. 4 is a right side view thereof;

FIG. 5 is a left side view thereof;

FIG. 6 is a top view thereof; and,

FIG. 7 is a bottom view thereof.

**1 Claim, 7 Drawing Sheets**



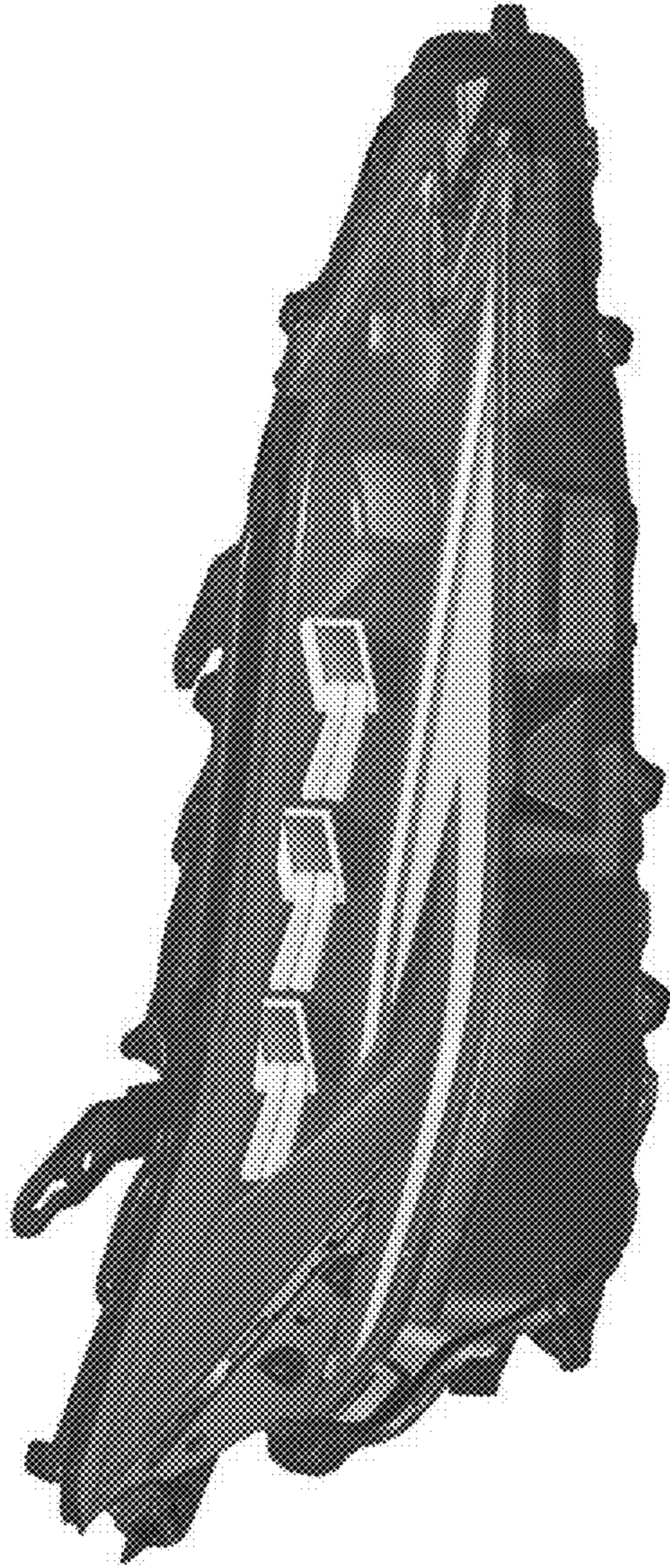


FIG. 1

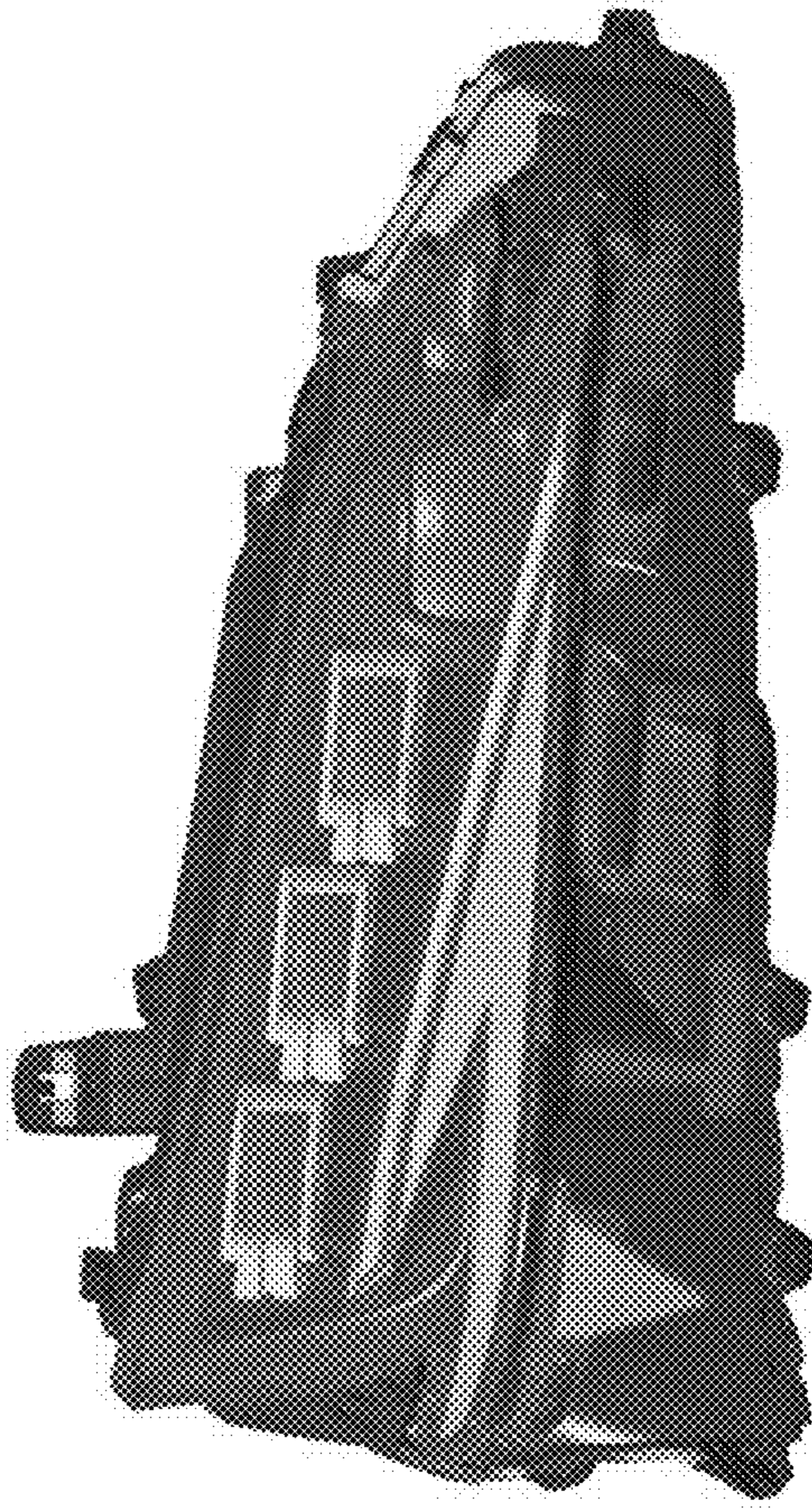


FIG. 2

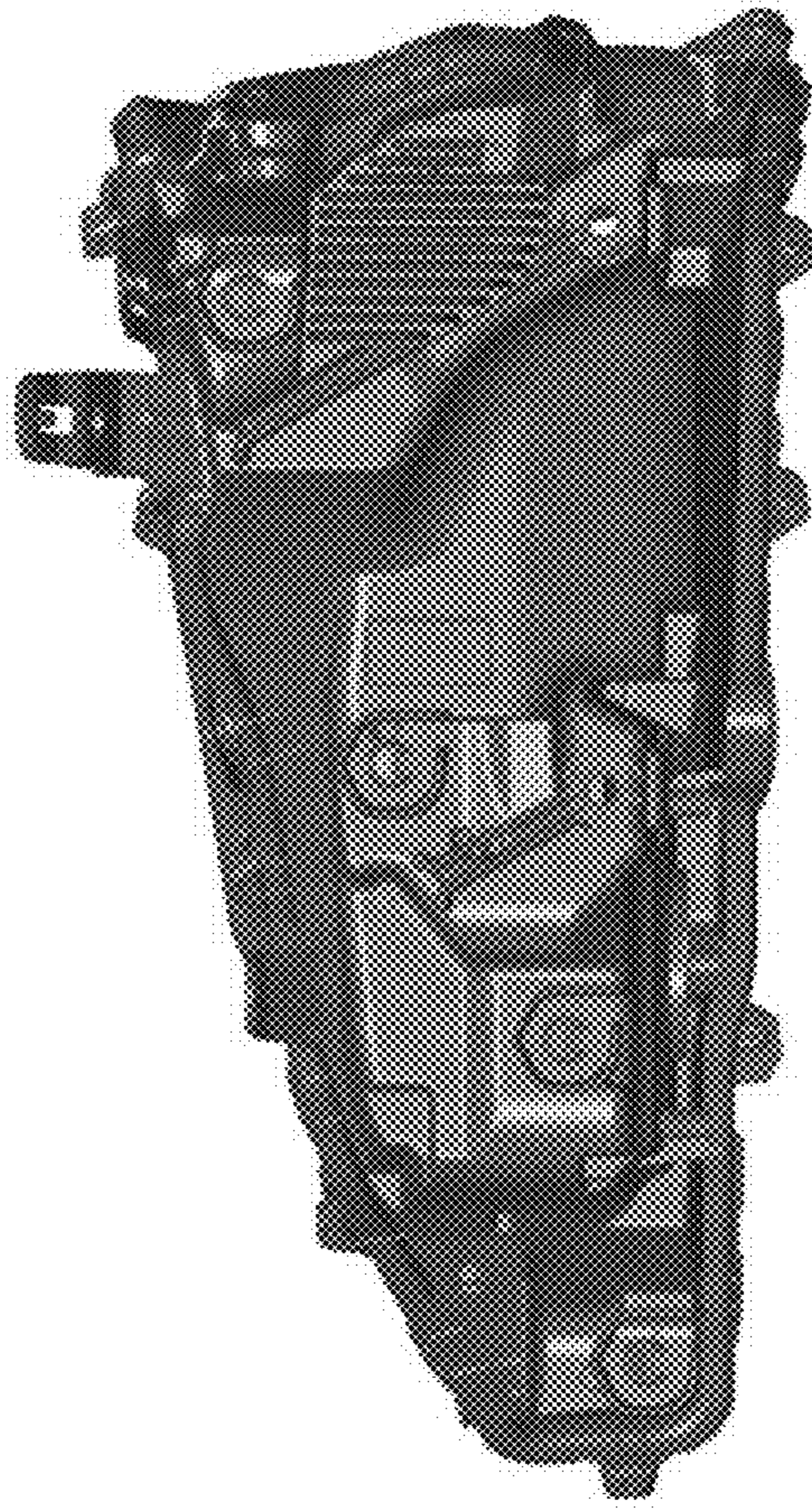


FIG. 3

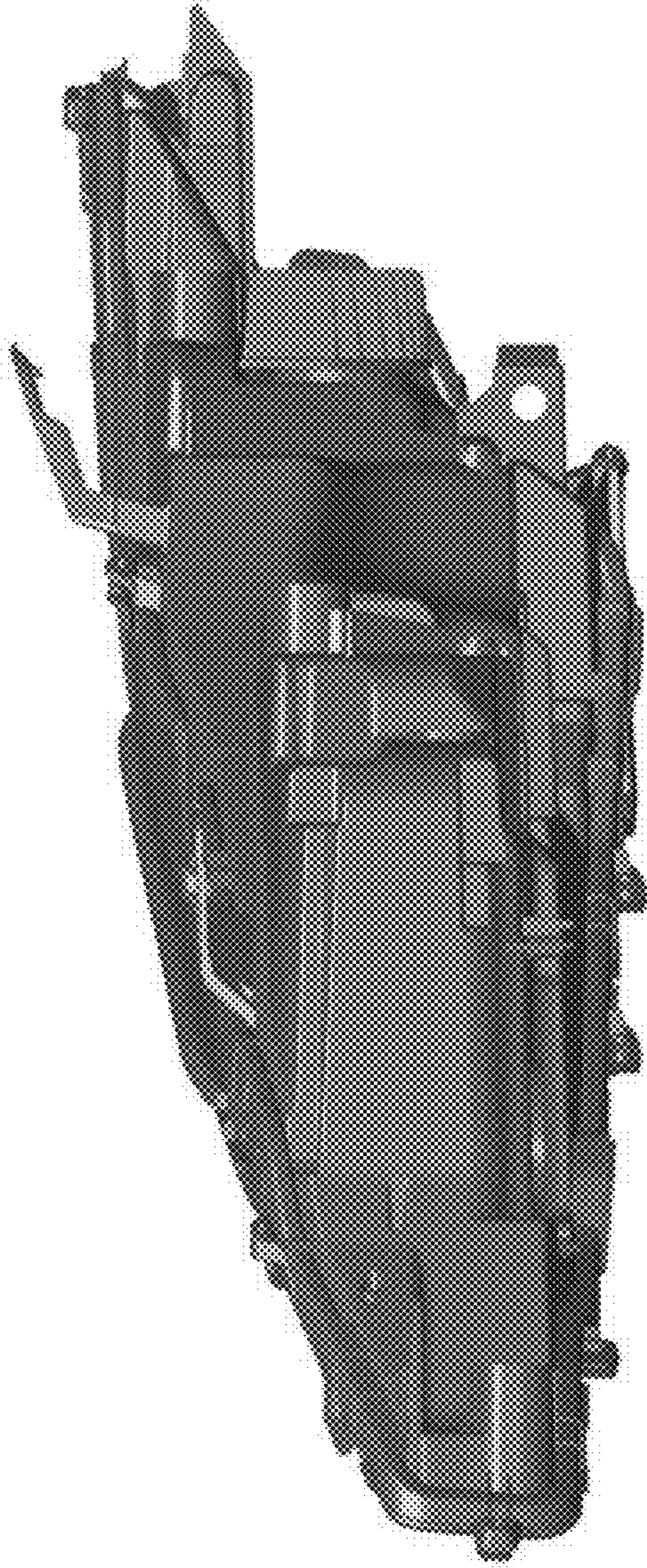


FIG. 4

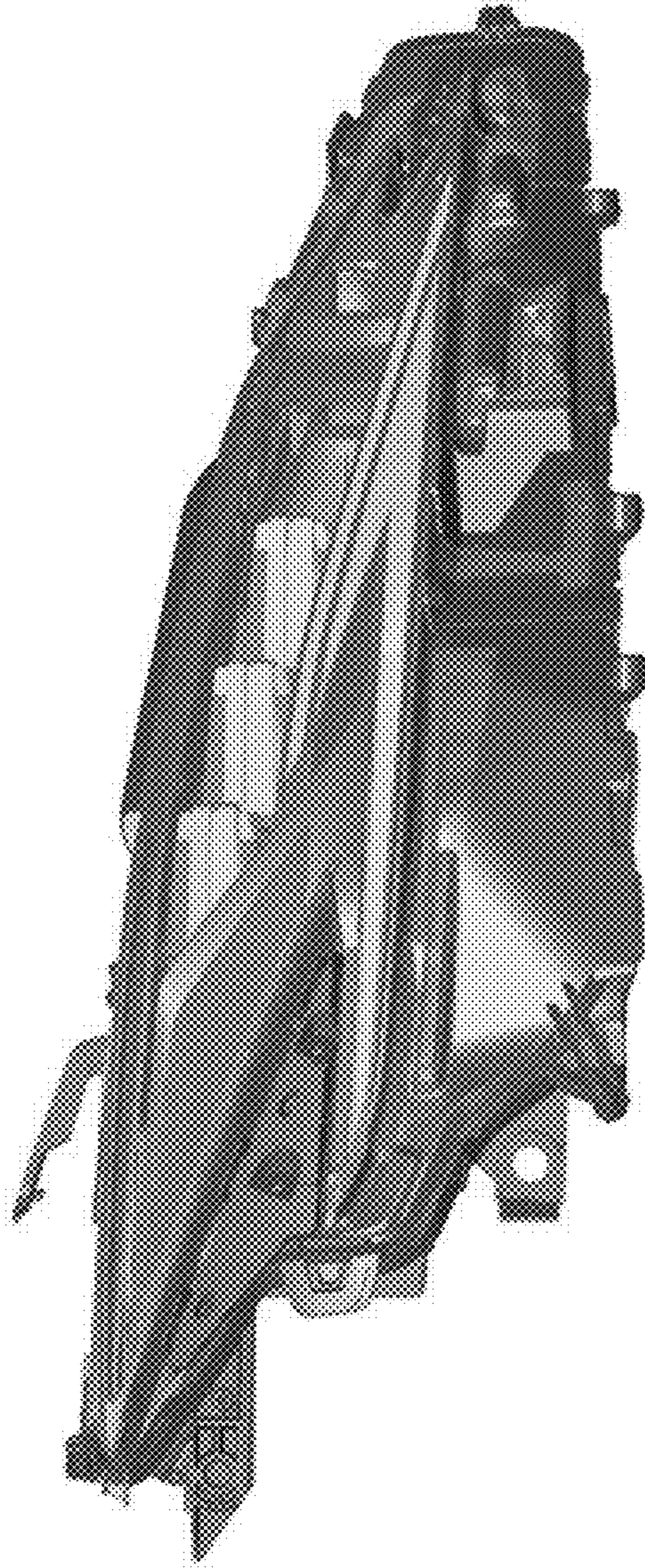


FIG. 5

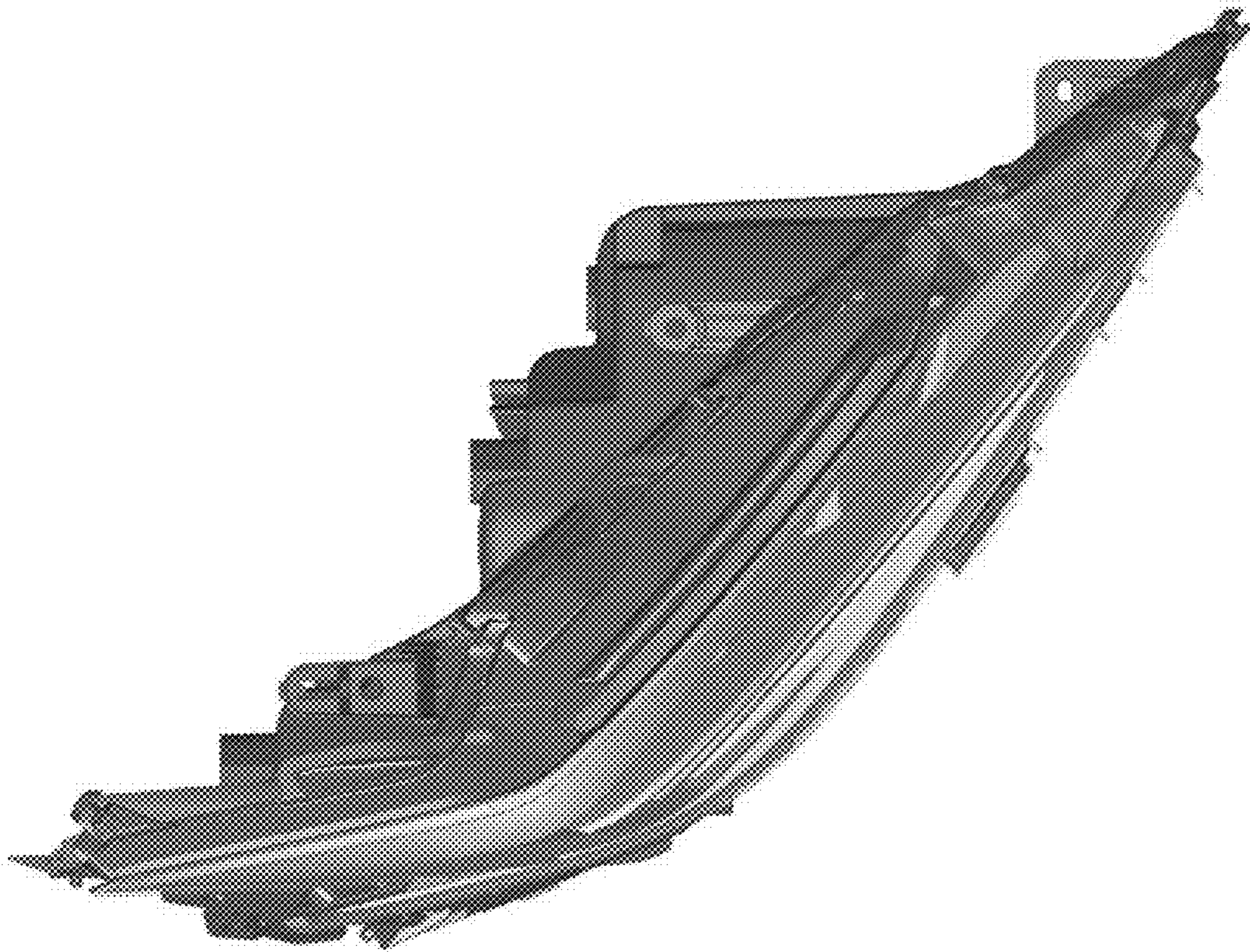


FIG. 6

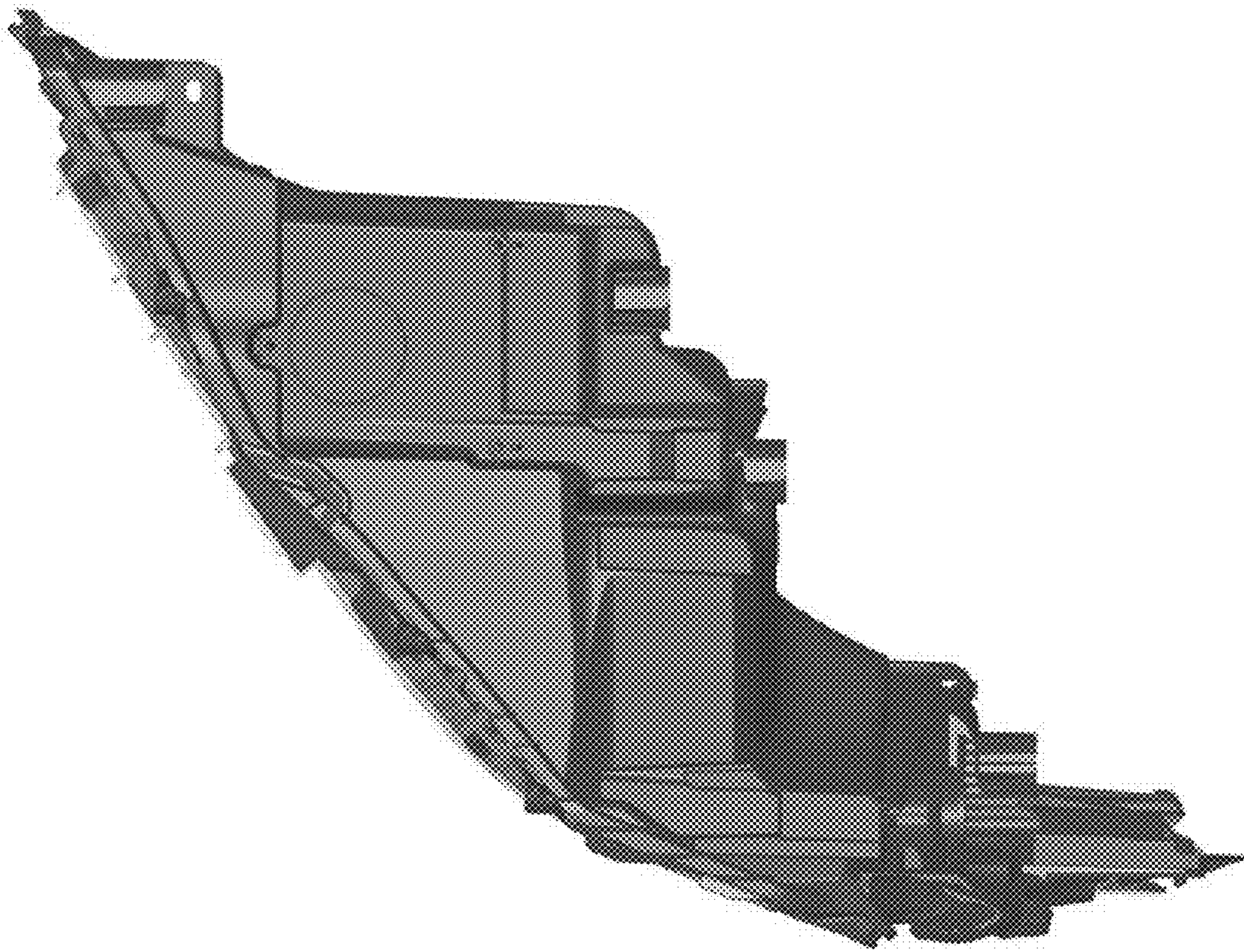


FIG. 7