



US00D986448S

(12) **United States Design Patent**
Allen

(10) **Patent No.:** **US D986,448 S**
(45) **Date of Patent:** **** May 16, 2023**

- (54) **DECK LIGHT**
- (71) Applicant: **Research & Design Innovations, LLC**,
Branford, CT (US)
- (72) Inventor: **Donald Terry Allen**, Madison, CT (US)
- (73) Assignee: **RESEARCH AND DESIGN INNOVATIONS, LLC**, Branford, CT (US)
- (**) Term: **15 Years**
- (21) Appl. No.: **29/696,869**
- (22) Filed: **Jul. 2, 2019**
- (51) **LOC (14) Cl.** **26-06**
- (52) **U.S. Cl.**
USPC **D26/28**
- (58) **Field of Classification Search**
USPC D26/28, 72, 89, 139, 34; D12/317
CPC F21W 2101/04; B60Q 1/26; B60Q 1/2626;
B60Q 1/32; B60Q 1/0088; F21S 8/032;
F21S 45/50; F21S 41/192; B63B 45/04
See application file for complete search history.

- 6,139,170 A * 10/2000 Wiggerman B63B 45/08
362/477
- 6,241,361 B1 * 6/2001 Thrasher F21V 27/00
362/267
- D467,021 S * 12/2002 Ulc D26/28
(Continued)

OTHER PUBLICATIONS

Nilight 10pcs 3/4 Inch Round Mini LED Clearance Light video posted to youtube.com on Aug. 13, 2021. (Year: 2021).*
(Continued)

Primary Examiner — Clare E Heflin
(74) *Attorney, Agent, or Firm* — DeLio Peterson & Curcio LLC; Brian G. Schlosser

(57) **CLAIM**

The ornamental design for a “deck light”, as shown and described.

DESCRIPTION

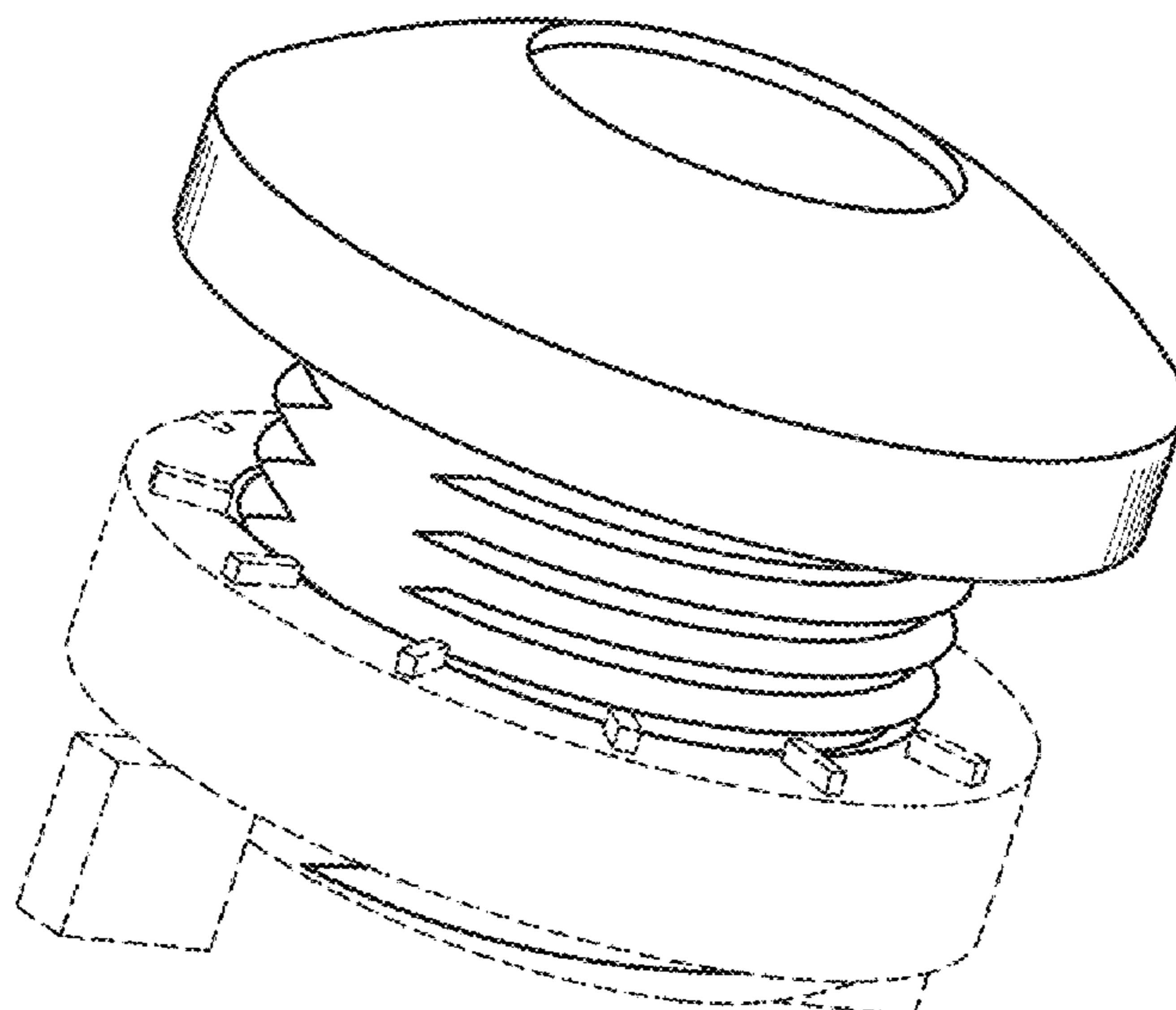
FIG. 1 is a top rear right perspective view of the “deck light” design according to the present invention;
FIG. 2 is a bottom front right perspective view of the “deck light” shown in FIG. 1;
FIG. 3 is a rear elevational view of the “deck light” shown in FIG. 1;
FIG. 4 is a front elevational view of the “deck light” shown in FIG. 1;
FIG. 5 is a right side elevational view of the “deck light” shown in FIG. 1;
FIG. 6 is a left side elevational view of the “deck light” shown in FIG. 1;
FIG. 7 is a bottom plan view of the “deck light” shown in FIG. 1; and,
FIG. 8 is a top plan view of the “deck light” shown in FIG. 1.
Portions of the “deck light” are shown in phantom lines and form no part of the design.

1 Claim, 3 Drawing Sheets

(56) **References Cited**

U.S. PATENT DOCUMENTS

- 2,255,431 A * 9/1941 Marden C09K 11/025
313/485
- 5,664,866 A * 9/1997 Reniger B63B 45/04
362/477
- 5,672,004 A * 9/1997 Schmidt, Jr. F21V 21/30
362/372
- 5,704,704 A * 1/1998 Reichard B60Q 1/2657
362/267
- 5,800,041 A * 9/1998 Poggi F21S 8/024
362/267
- 5,842,779 A * 12/1998 Siebert F21V 27/005
362/311.03
- D421,657 S * 3/2000 Siebert D26/37



(56)

References Cited

U.S. PATENT DOCUMENTS

D469,896 S * 2/2003 Ziaylek, Jr. D26/28
 D471,655 S * 3/2003 Brussing D26/28
 D485,625 S * 1/2004 Egly D26/28
 D493,551 S * 7/2004 Begin D26/28
 D511,020 S * 10/2005 Egawa D26/74
 D544,979 S * 6/2007 Hartmann, Jr. D26/74
 7,322,722 B2 * 1/2008 Hartmann, Jr. F21V 3/00
 362/311.06
 D578,233 S * 10/2008 Chang D26/28
 D608,044 S * 1/2010 Pickett D26/89
 7,708,420 B2 * 5/2010 Hartmann, Jr. F21V 17/18
 362/267
 D705,978 S * 5/2014 Rhodes D26/89
 D709,212 S * 7/2014 Peltola D26/28
 D775,382 S * 12/2016 Platto D26/28
 D913,262 S * 3/2021 Allen D14/215
 D927,739 S * 8/2021 Chaney D26/28
 11,287,096 B1 * 3/2022 Allen B63B 45/06
 2008/0165547 A1 * 7/2008 Amor F21V 29/767
 362/373
 2010/0002435 A1 * 1/2010 Rash F21V 5/04
 362/235
 2014/0140073 A1 * 5/2014 Kizele F21V 19/003
 362/373
 2019/0293254 A1 * 9/2019 Mertens F21V 29/74
 2020/0277030 A1 * 9/2020 Allen B63B 45/04

2022/0001965 A1 * 1/2022 Bina F21S 43/14
 2022/0009409 A1 * 1/2022 Paul G02B 19/0066
 2022/0018512 A1 * 1/2022 Kay F21S 41/148

OTHER PUBLICATIONS

Perko Stealth Series LED Side Lights, Part No. PN: 0616DP2STS available from solidsignal.com, visited Jan. 21, 2022. (Year: 2022).*
 Ocean LED 3010TH Pro Series HD Gen2LED Underwater Lighting Part No. 001-500735, available from solidsignal.com, visited Jan. 21, 2022. (Year: 2022).*
 Bolt Beam 12mm LED Light—55 Lumens—Natural White Silver, Part No. 12B-NW-S, available from superbrightleds.com as early as Sep. 10, 2013. (Year: 2013).*
 TCTAuto Livewell Marine LED Lights for Boats, ASIN: B085YFH3GK. Available from amazon.com Mar. 16, 2020. (Year: 2020).*
 T-H Marine LED Dome Light with Red/White Switch, ASIN: B00AJVLDLU. Available from amazon.com Aug. 17, 2012. (Year: 2012).*
 Sea Dog 401274-1 Flush-Mount LED Courtesy Light, ASIN: B01MSDLUPX. Available from amazon.com May 17, 2017. (Year: 2017).*
 Lowrance B117-DT-BL B117 0 & No. 176; 50-200kHz Thru-Hull Depth-Temp with Blue Connector, ASIN: B01LZULSVX. Available from amazon.com Sep. 3, 2016. (Year: 2016).*

* cited by examiner

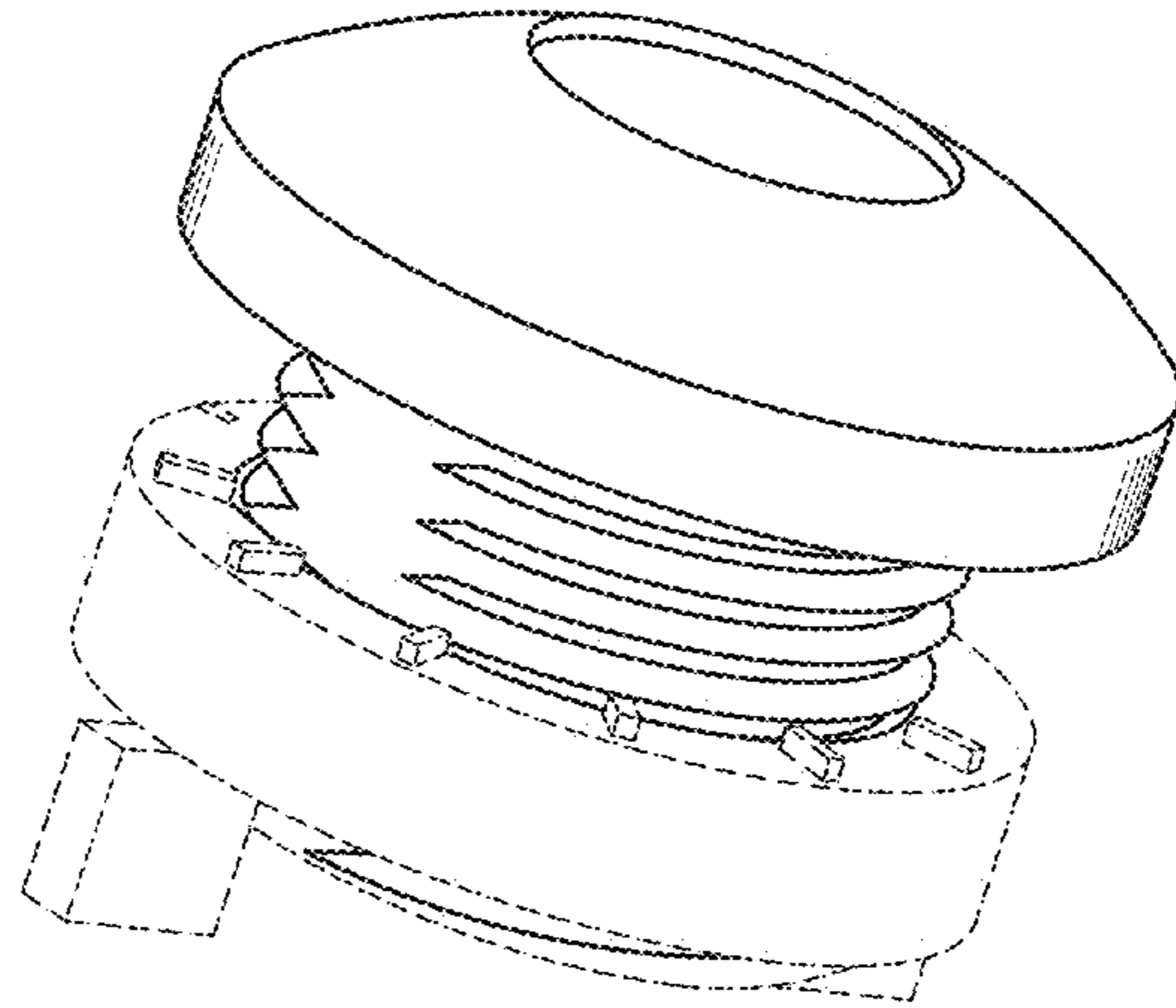


FIG. 1

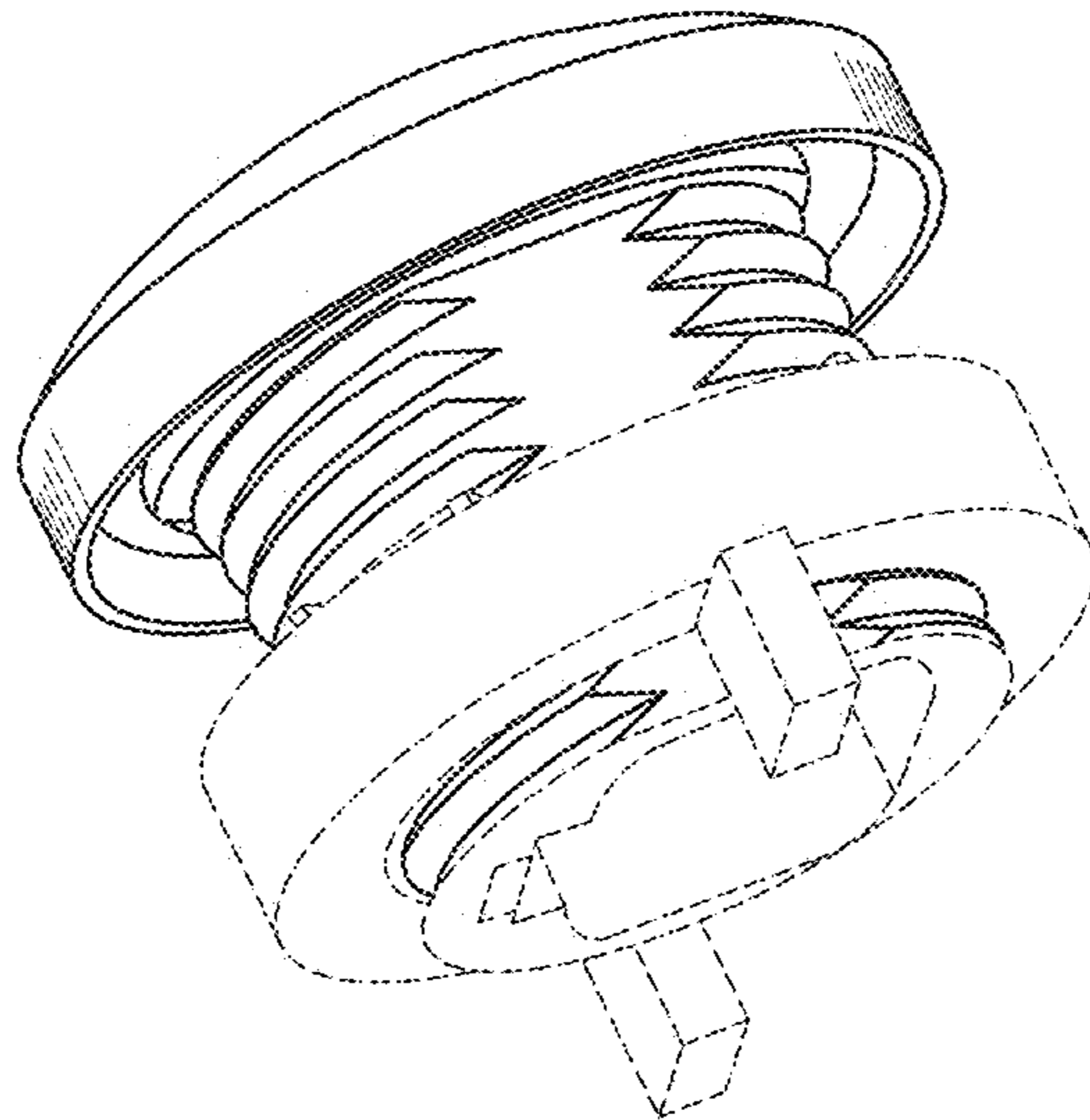


FIG. 2

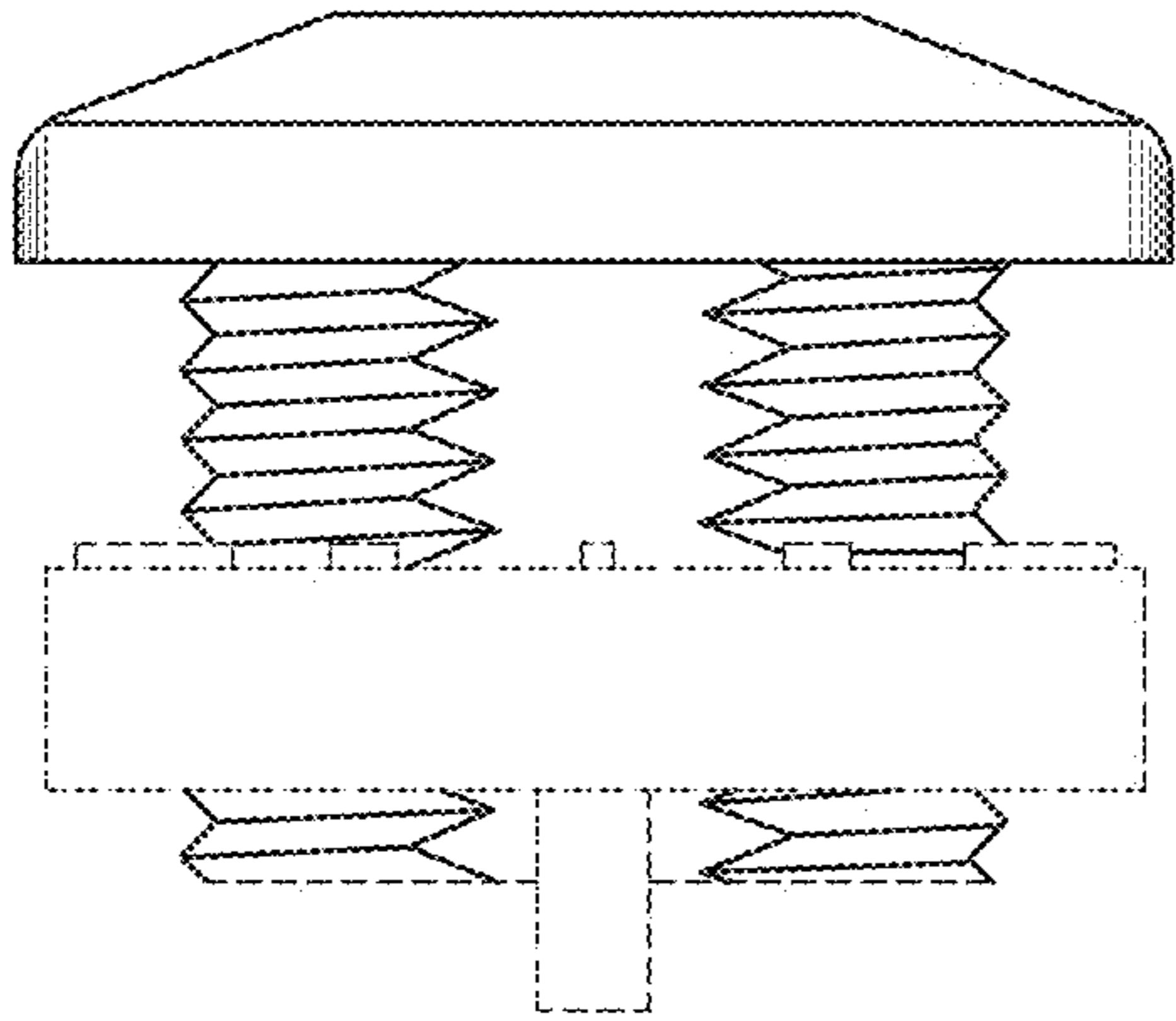


FIG. 3

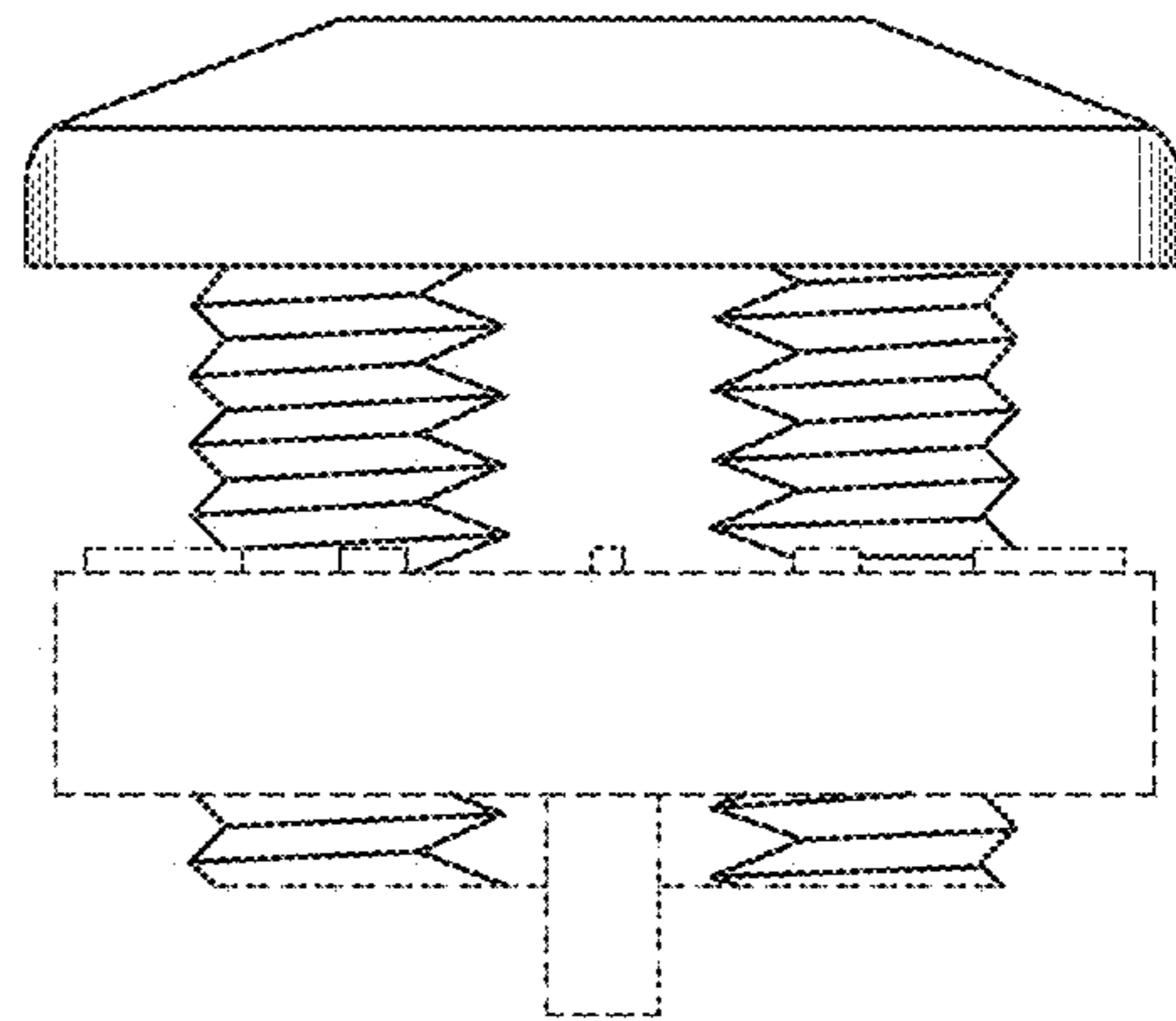


FIG. 4

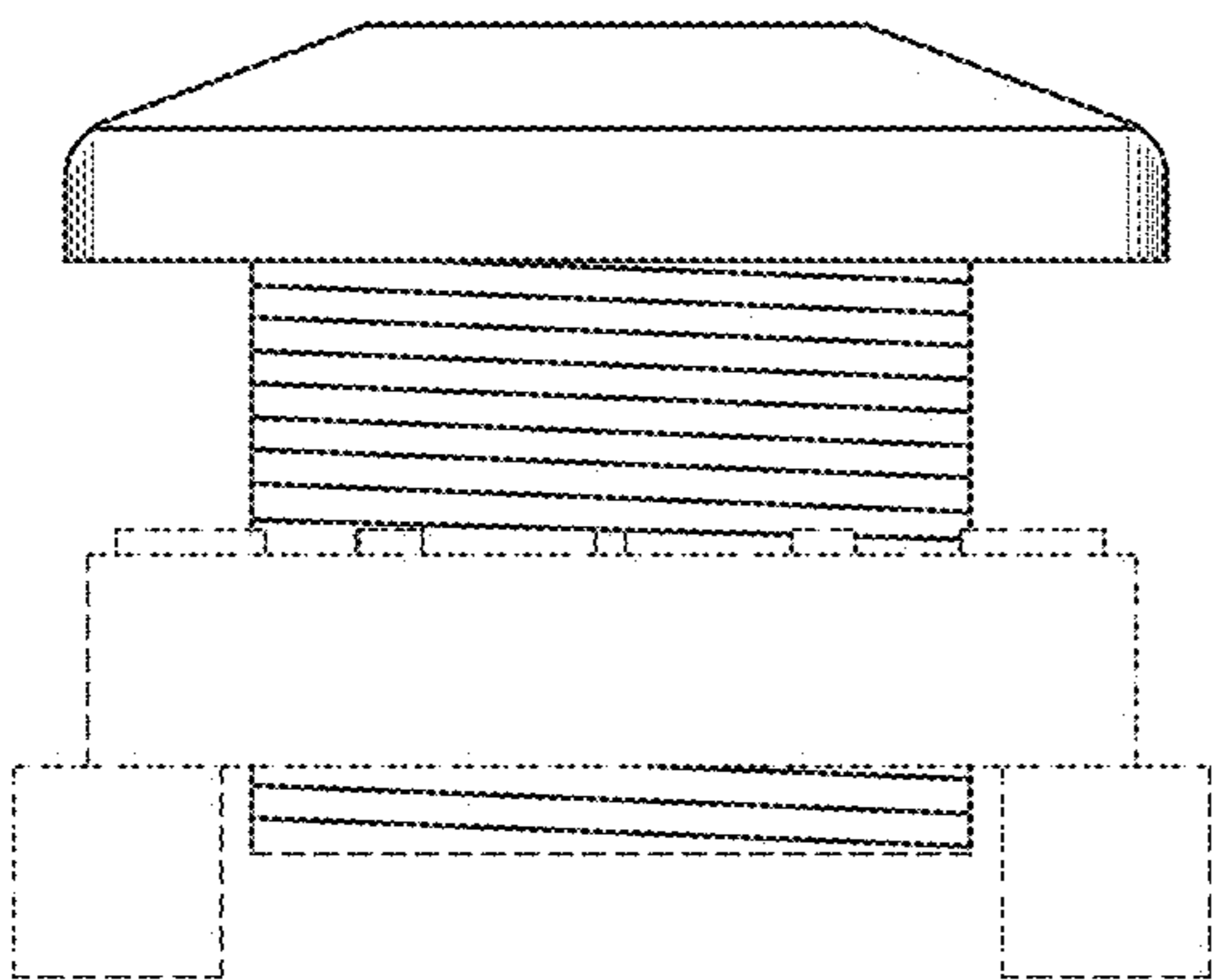


FIG. 5

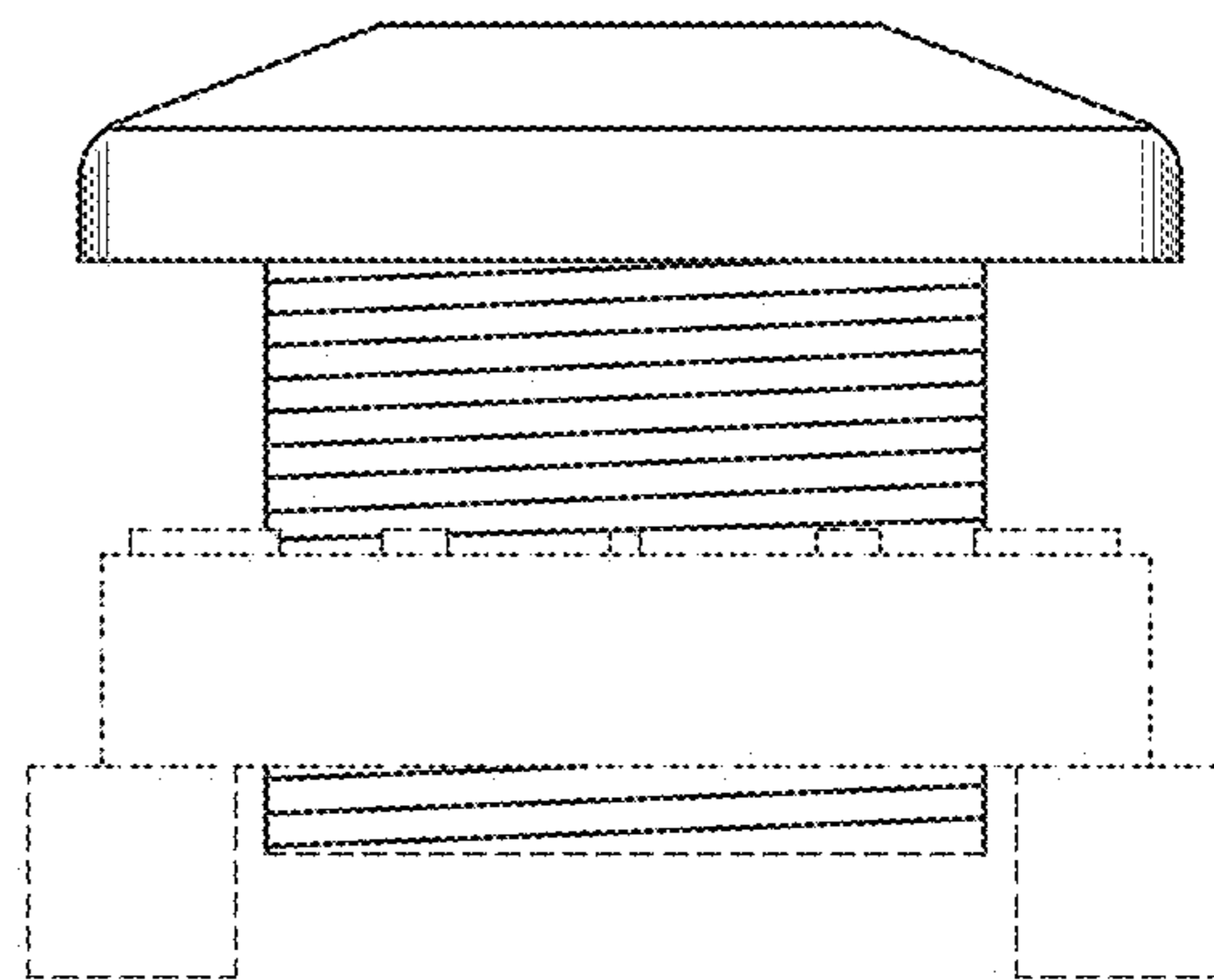


FIG. 6

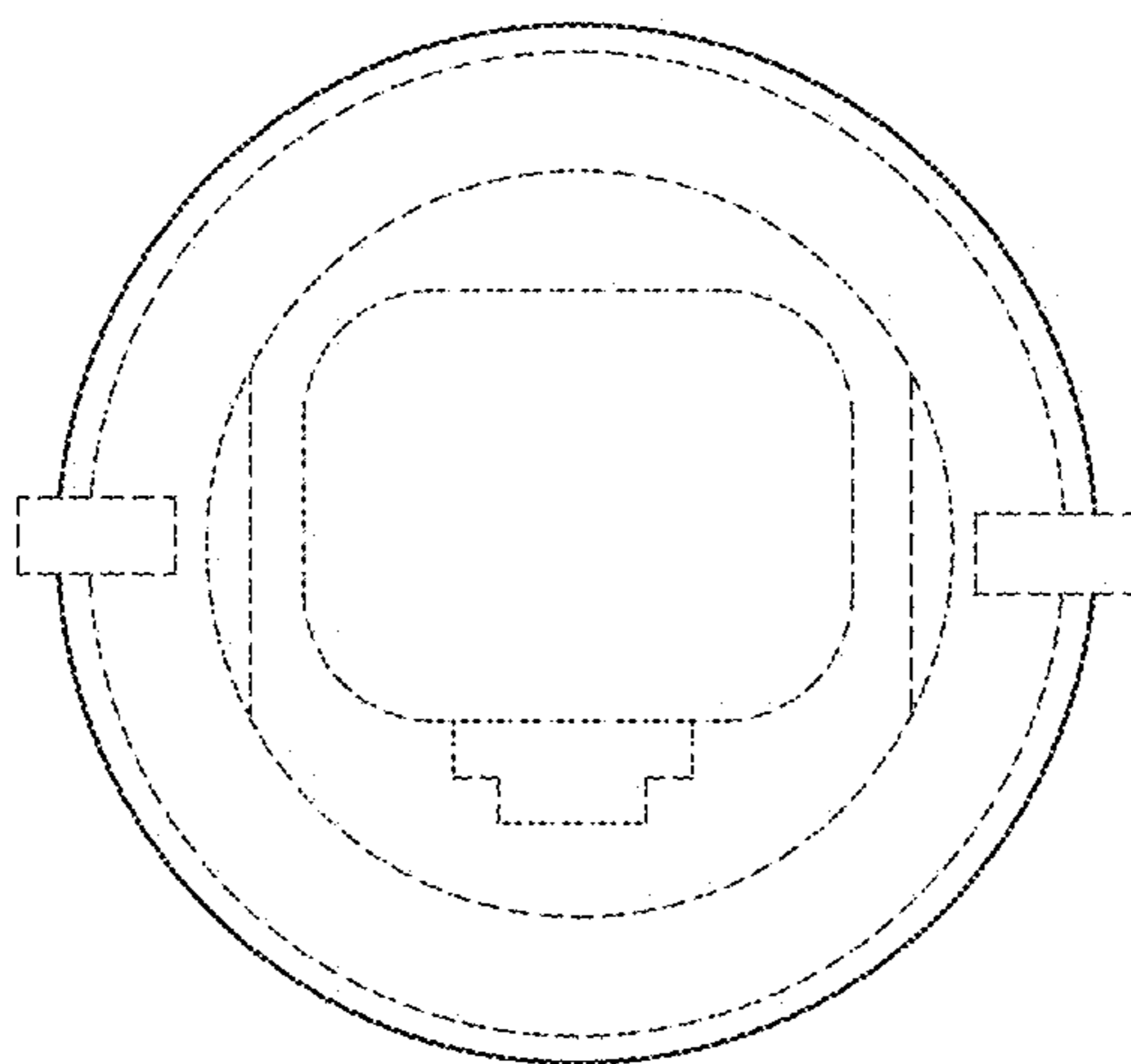


FIG. 7

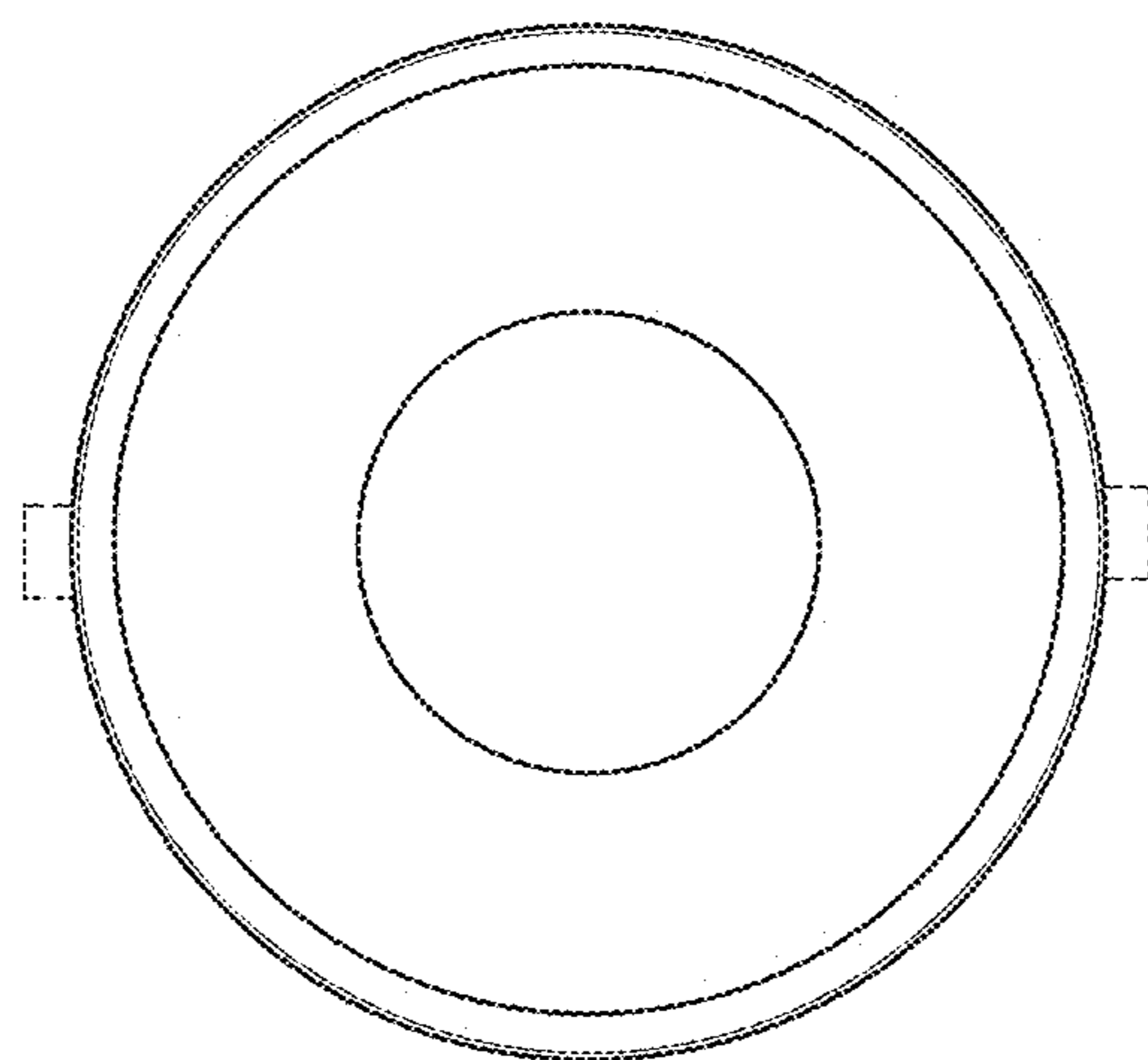


FIG. 8