



US00D986447S

(12) **United States Design Patent**
He

(10) **Patent No.:** **US D986,447 S**

(45) **Date of Patent:** **** *May 16, 2023**

- (54) **LAMP**
- (71) Applicant: **Xiaoying He**, Yingcheng (CN)
- (72) Inventor: **Xiaoying He**, Yingcheng (CN)

D935,681 S *	11/2021	Gong	D26/81
D938,627 S *	12/2021	Li	D26/25
D950,113 S *	4/2022	Zhou	D11/125
D952,199 S *	5/2022	Xu	D26/25
D957,696 S *	7/2022	Yu	D11/121
D960,403 S *	8/2022	Wei	D26/25

(*) Notice: This patent is subject to a terminal disclaimer.

(**) Term: **15 Years**

(21) Appl. No.: **29/822,065**

(22) Filed: **Jan. 5, 2022**

(51) **LOC (14) Cl.** **26-04**

(52) **U.S. Cl.**
USPC **D26/25**

(58) **Field of Classification Search**
USPC D26/24-25, 27, 51-52, 57, 60-61, 63,
D26/65, 72-73, 81, 88, 113, 129, 138;
D11/119, 121, 125, 130
CPC F21Y 2115/10; F21Y 2103/10; F21Y
2113/13; F21Y 2101/00; F21Y 2113/10;
F21W 2121/00; F21W 2121/04; F21W
2121/004; F21W 2131/10; F21W
2121/006; F21W 2131/109; F21V 23/001
See application file for complete search history.

(56) **References Cited**

U.S. PATENT DOCUMENTS

D670,832 S *	11/2012	Chuang	D26/4
D832,736 S *	11/2018	Khubani	D11/121
D910,889 S *	2/2021	Zhou	D26/25
D917,084 S *	4/2021	Zhou	D26/25
D921,936 S *	6/2021	Zhou	D26/25
D925,077 S *	7/2021	Yang	D26/25
D935,648 S *	11/2021	Shi	D26/25

FOREIGN PATENT DOCUMENTS

CN	304712430 S	7/2018
CN	306184290 S	11/2020
CN	306206227 S	12/2020

* cited by examiner

Primary Examiner — Marissa J Cash
Assistant Examiner — William B Melliar

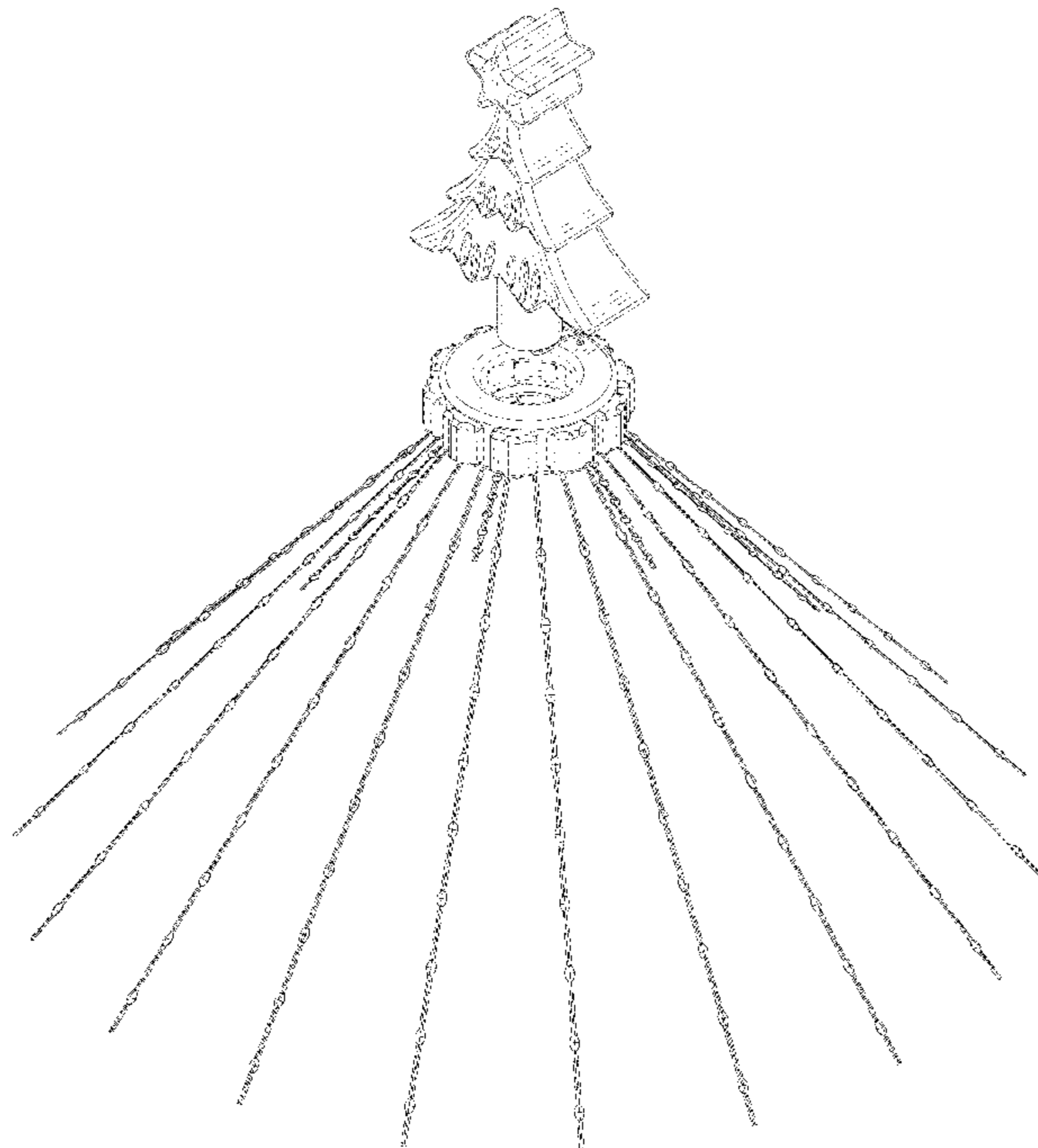
(57) **CLAIM**

The ornamental design for a lamp, as shown and described.

DESCRIPTION

FIG. 1 is a front, right, top perspective view of a lamp showing my new design;
 FIG. 2 is a back, left, bottom perspective view thereof;
 FIG. 3 is a front view thereof;
 FIG. 4 is a back view thereof;
 FIG. 5 is a left view thereof;
 FIG. 6 is a right view thereof;
 FIG. 7 is a top view thereof;
 FIG. 8 is a bottom view thereof;
 FIG. 9 is a partially enlarged view of FIG. 3; and,
 FIG. 10 is another partially enlarged view of FIG. 3.
 The broken lines shown in the drawings depict portions of the lamp that form no part of the claimed design. The additional broken lines surrounding the detail views in FIGS. 3, 9, and 10 are for annotative purposes only and form no part thereof.

1 Claim, 10 Drawing Sheets



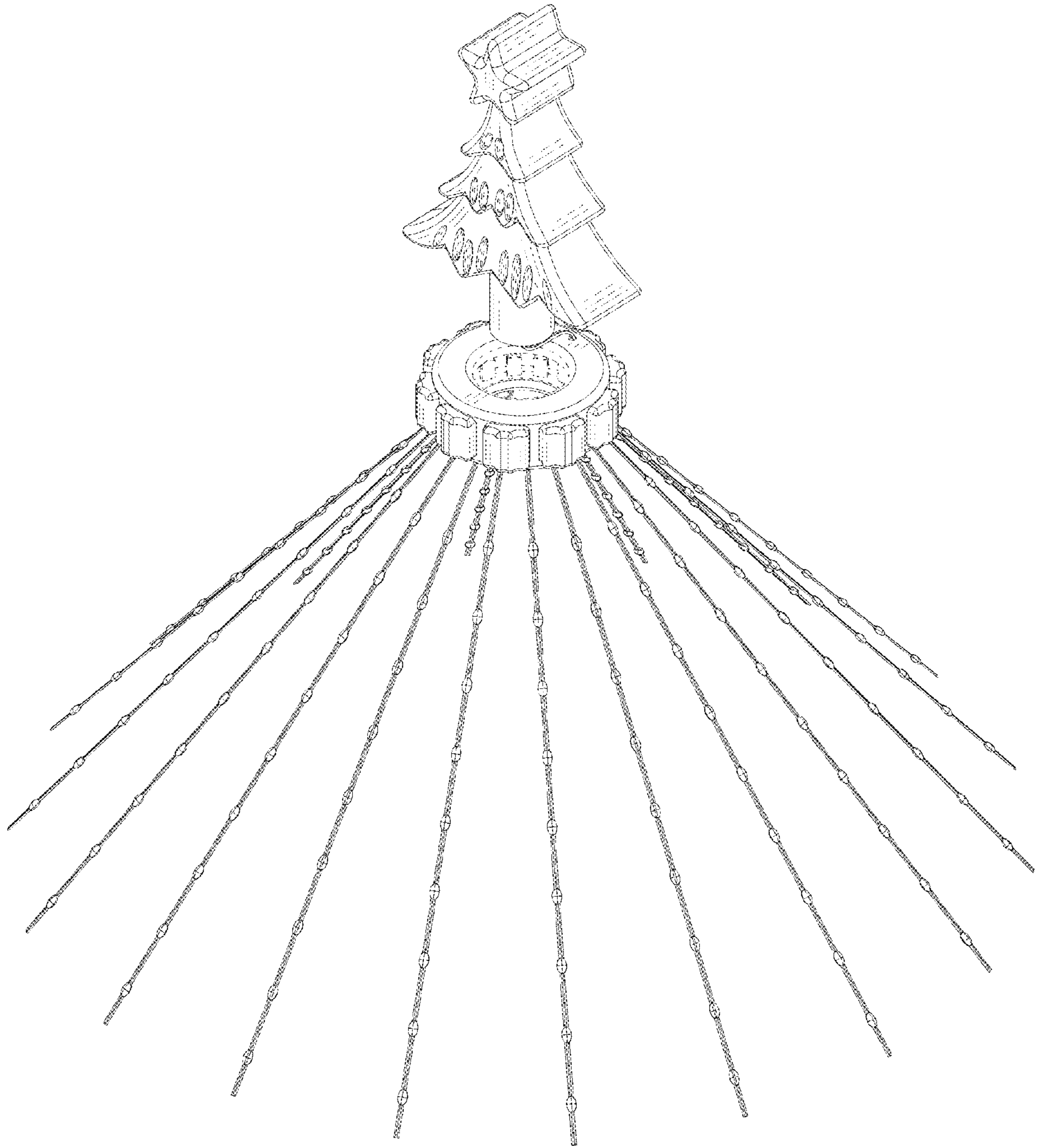


FIG. 1

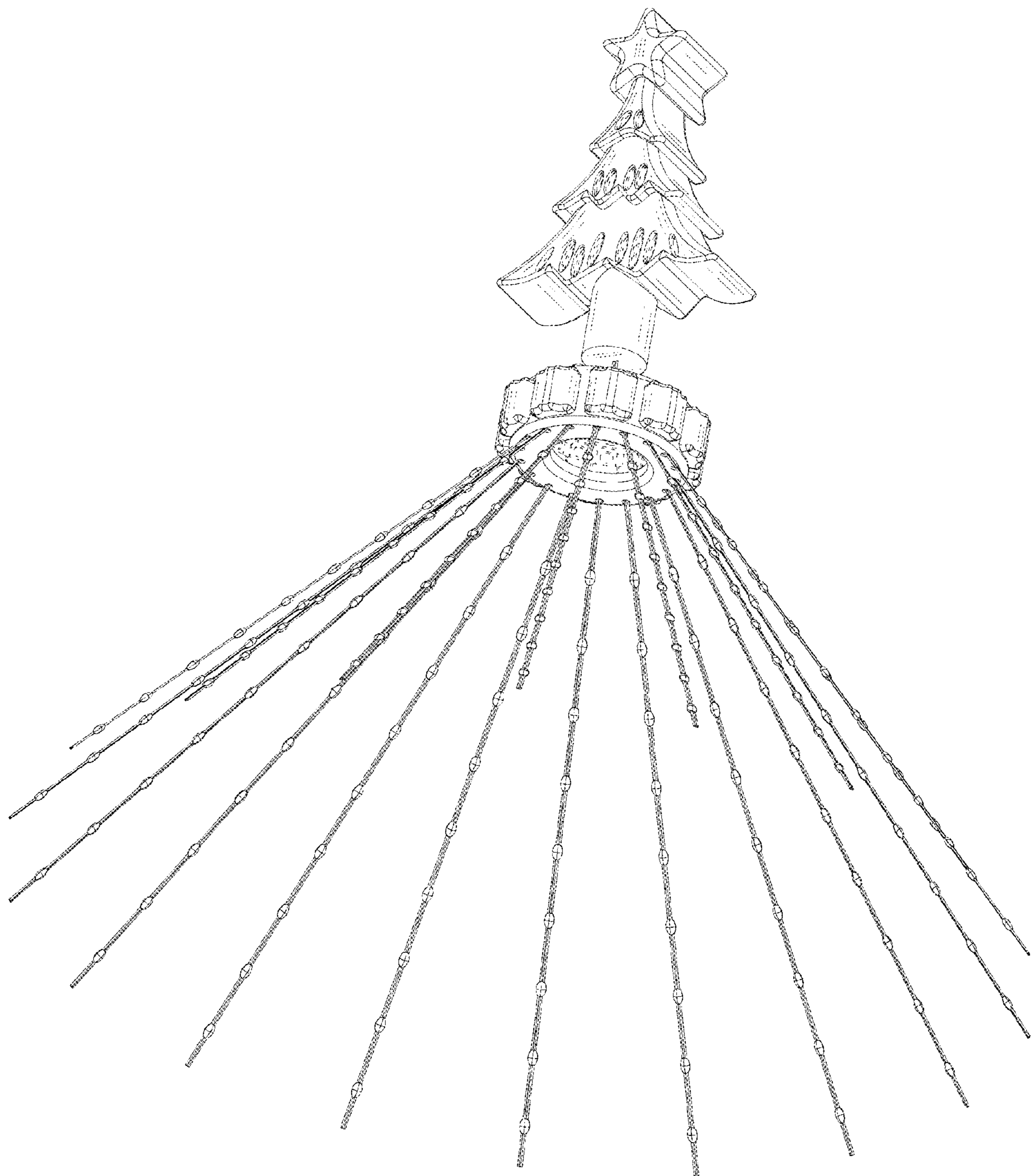


FIG. 2

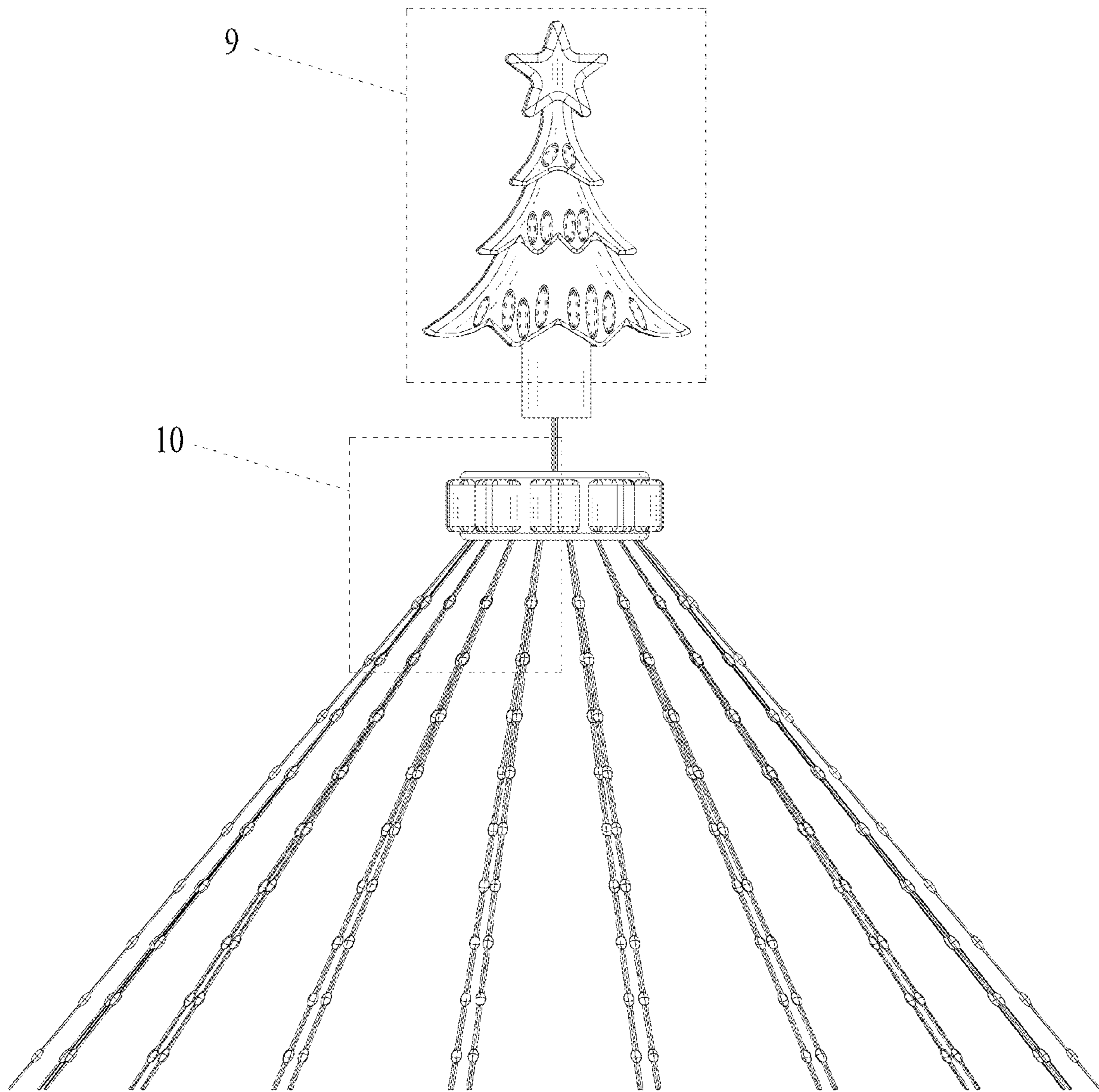


FIG. 3

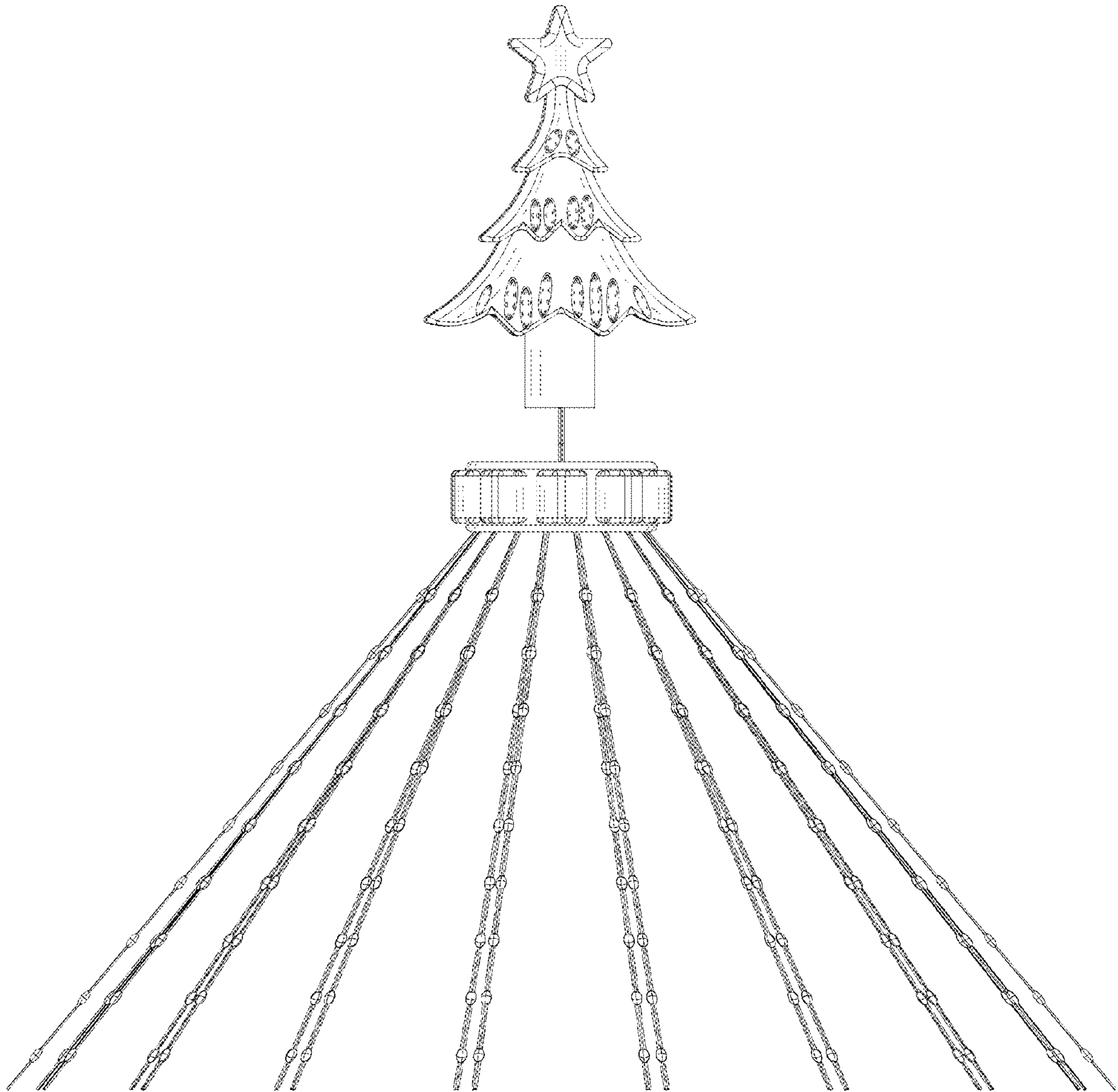


FIG. 4

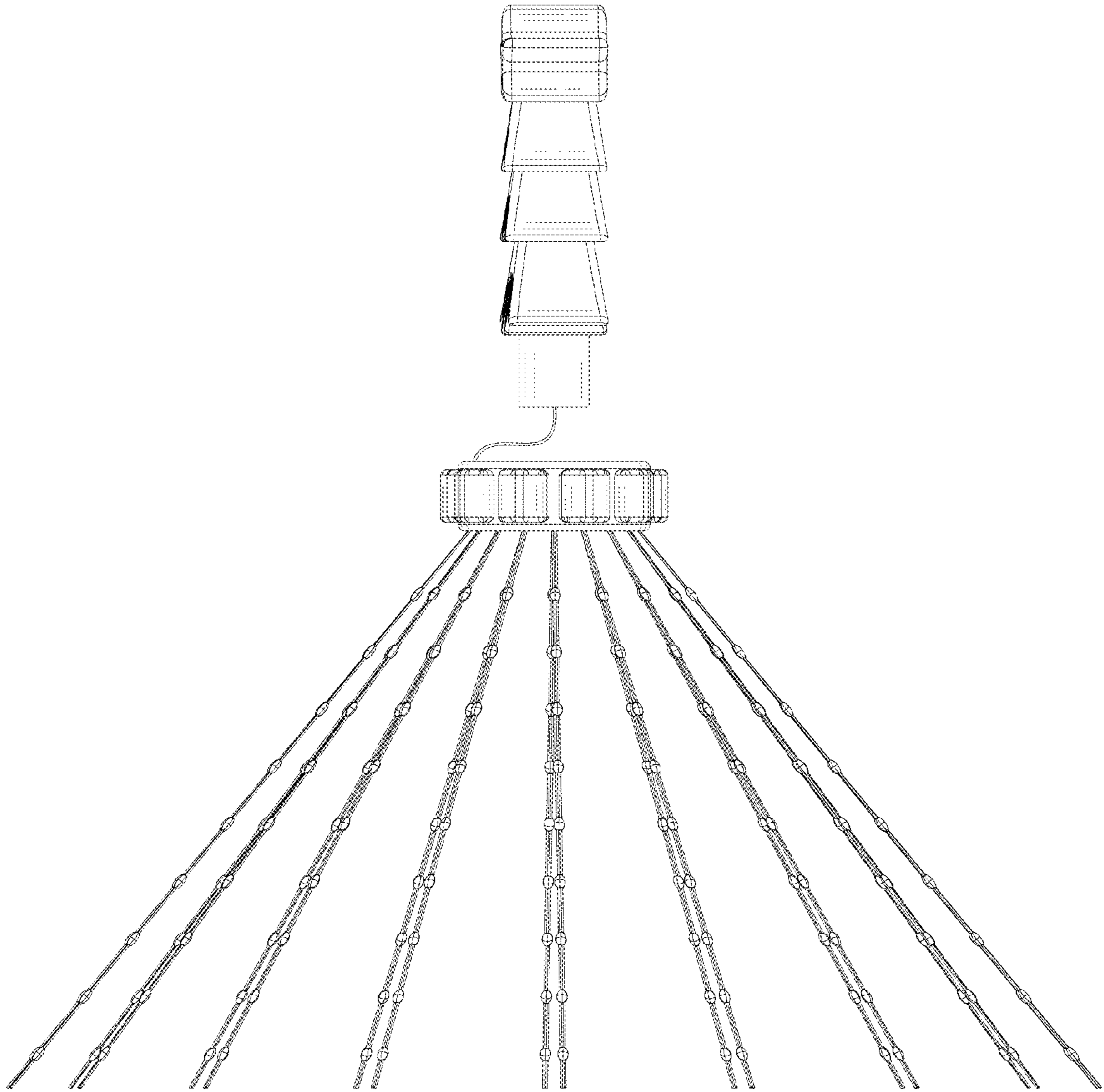


FIG. 5

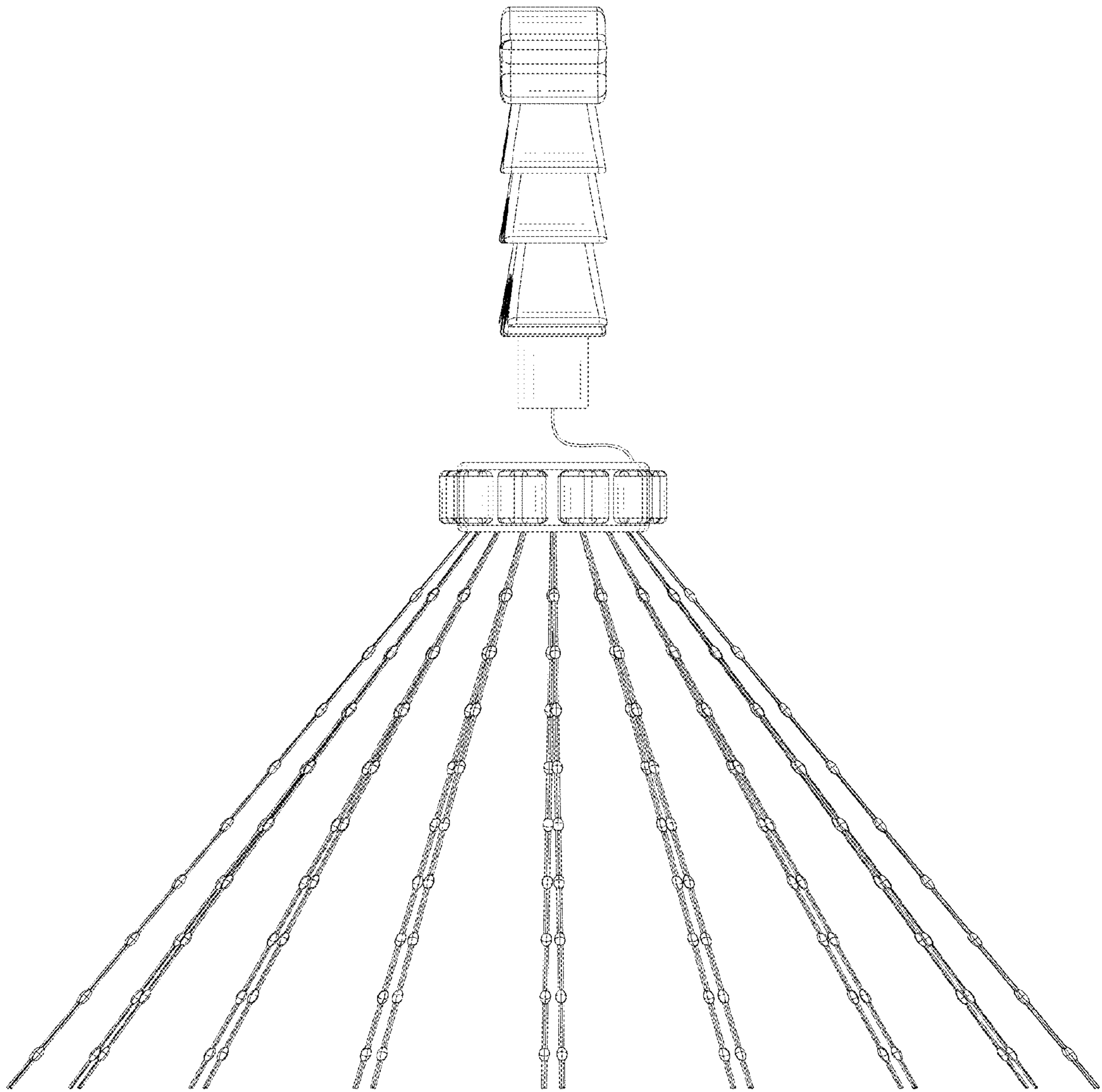


FIG. 6

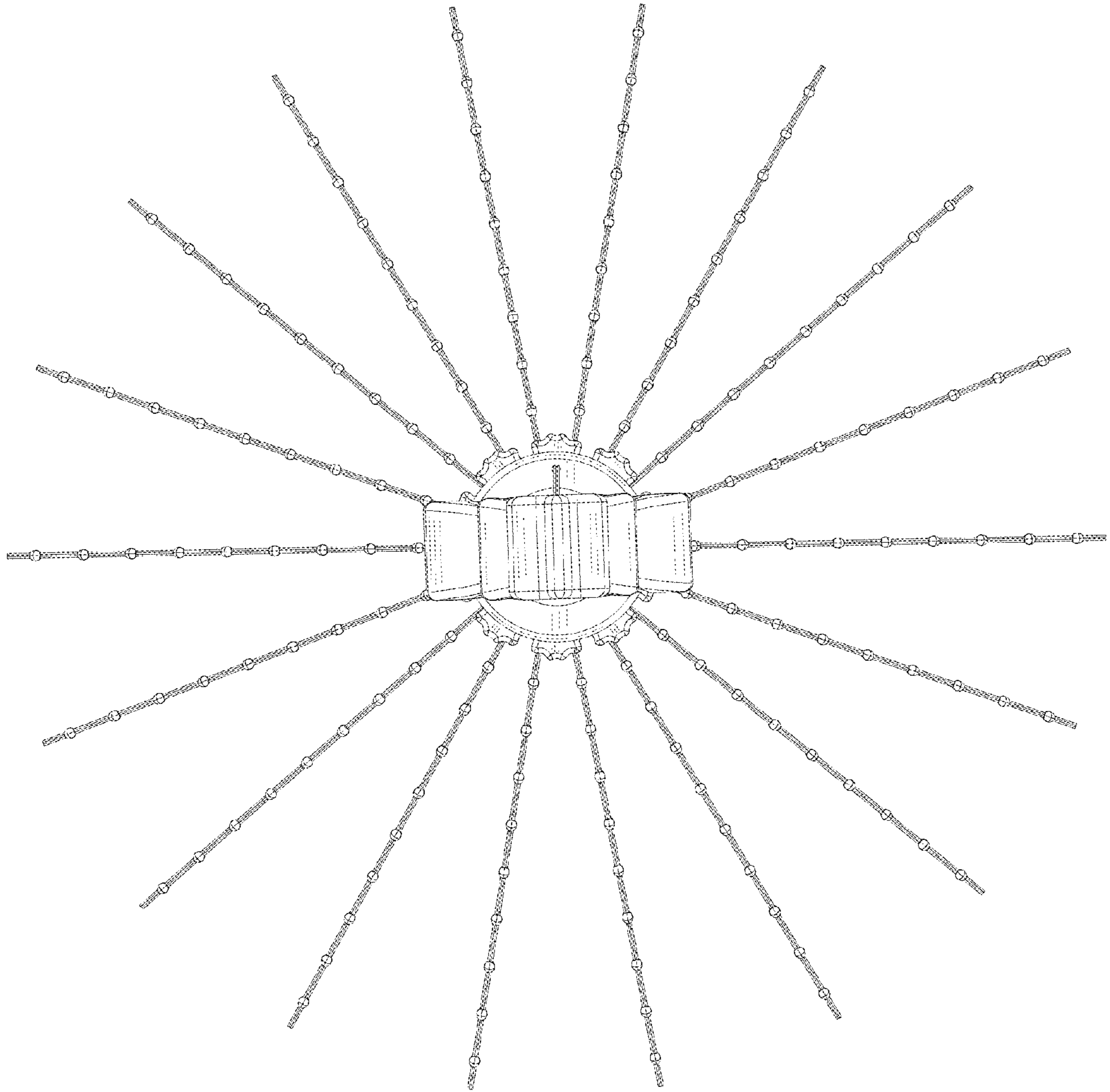


FIG. 7

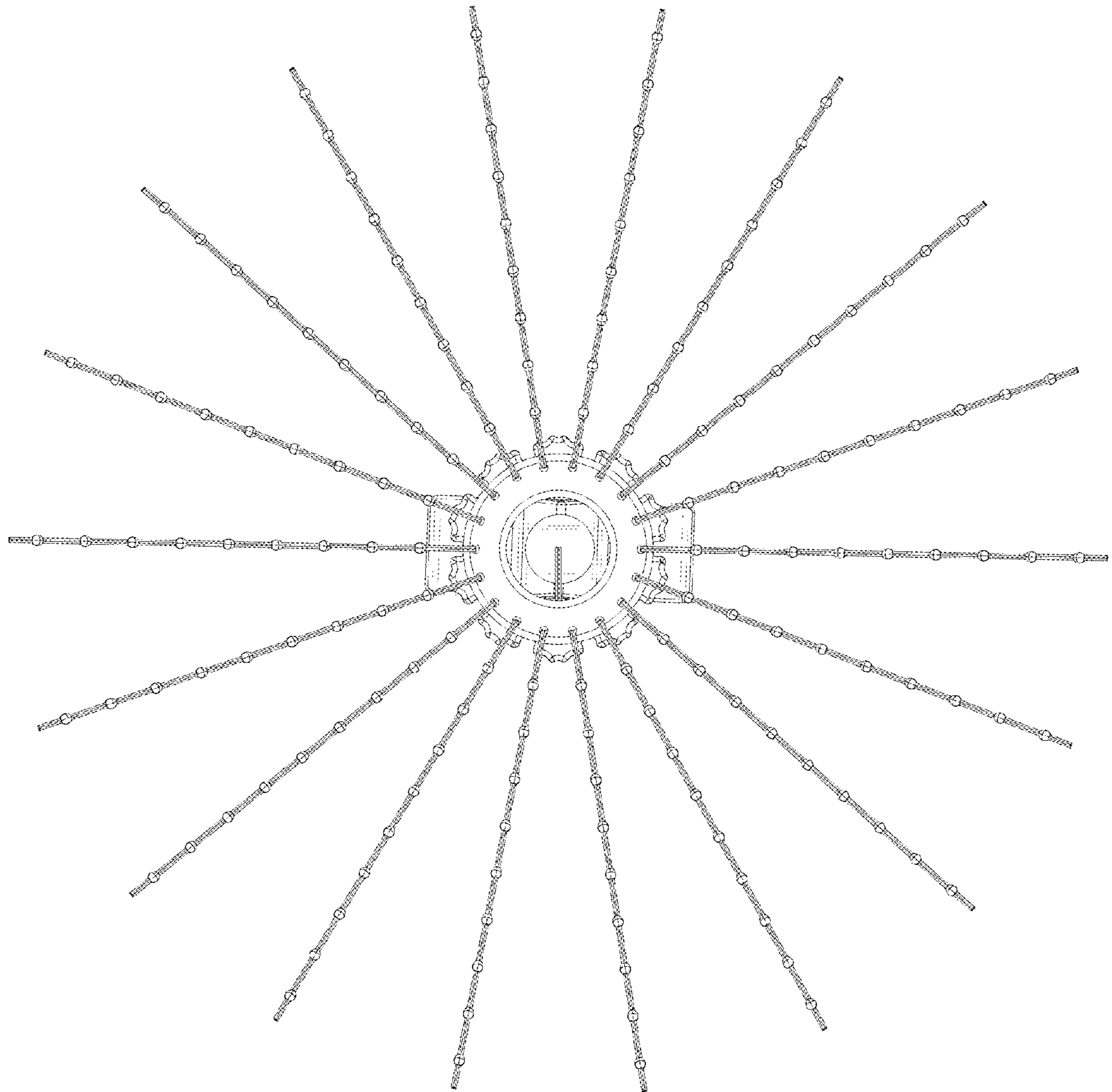


FIG. 8

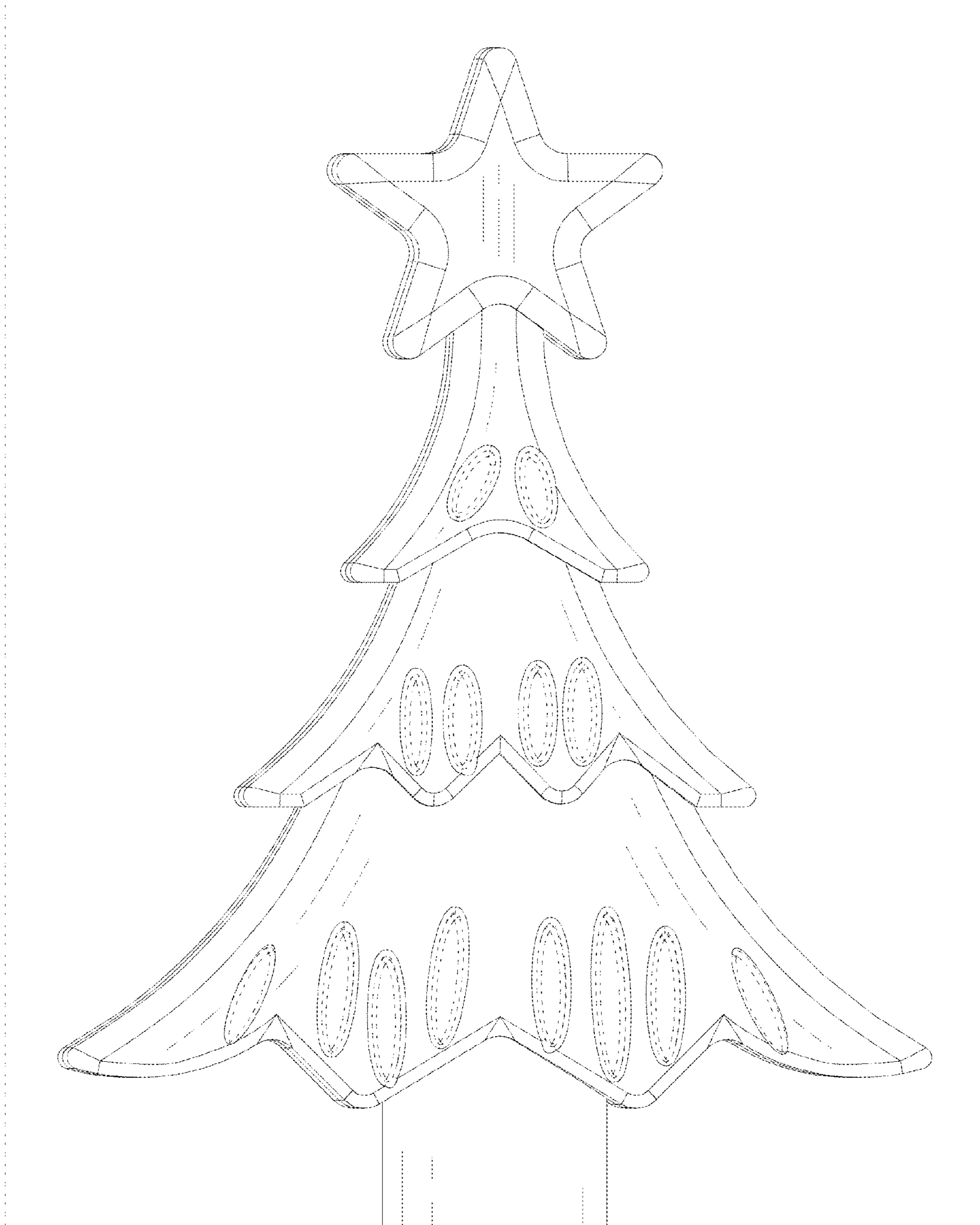


FIG. 9

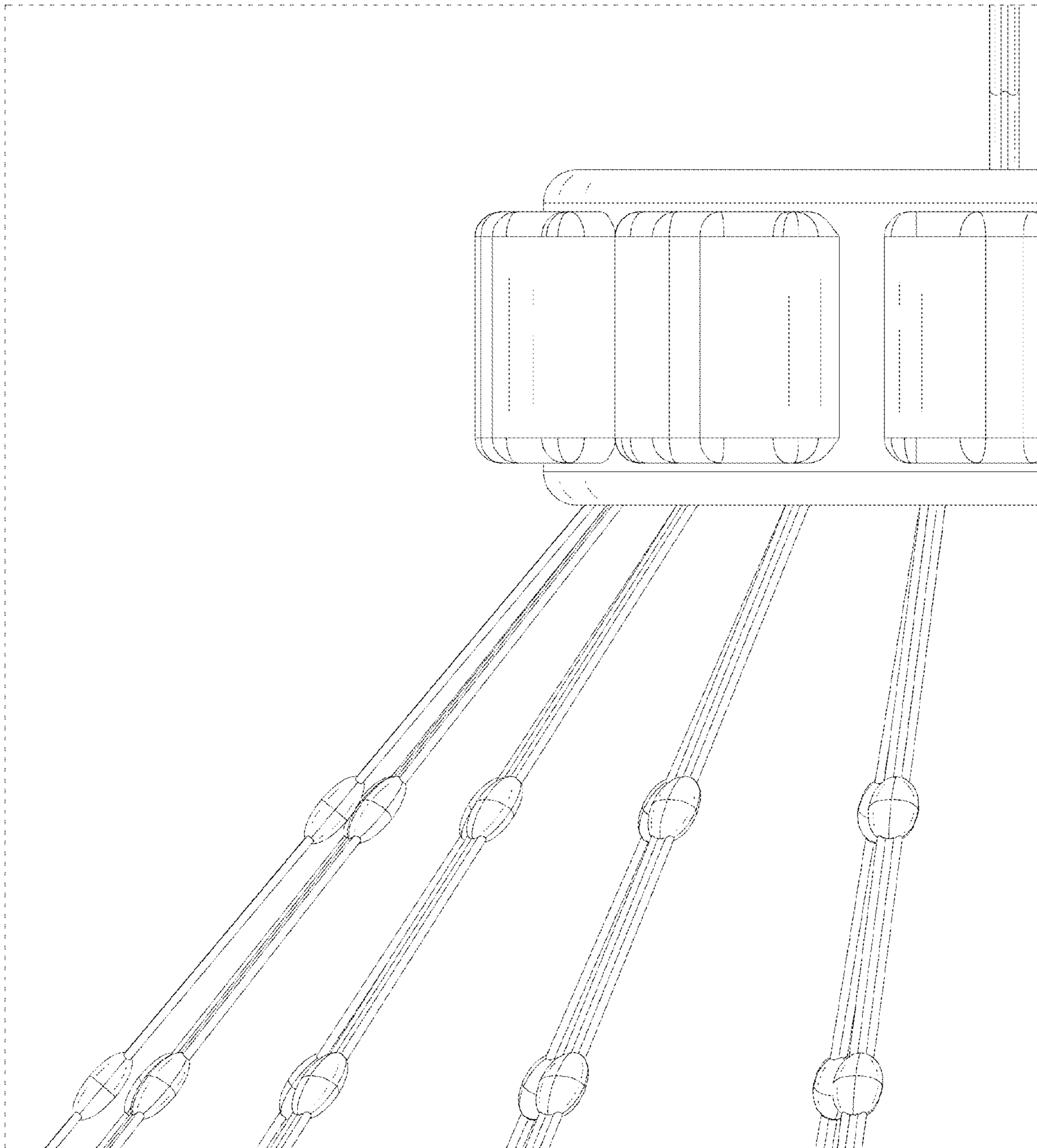


FIG. 10