



US00D986446S

(12) **United States Design Patent** (10) **Patent No.:** **US D986,446 S**  
**Gu** (45) **Date of Patent:** **\*\* May 16, 2023**

(54) **STRING LIGHT**

D918,440 S \* 5/2021 Li ..... D26/25  
D968,660 S \* 11/2022 Li ..... D26/25  
2017/0343169 A1\* 11/2017 Yu ..... F21S 4/10

(71) Applicant: **SHENZHEN BLING LIGHTING TECHNOLOGIES CO., LTD,**  
Shenzhen (CN)

**FOREIGN PATENT DOCUMENTS**

(72) Inventor: **Hulin Gu, Xiamen (CN)**

CN 306874597 \* 10/2021  
CN 307096881 \* 2/2022  
EM 008574792-0001 \* 6/2021

(73) Assignee: **SHENZHEN BLING LIGHTING TECHNOLOGIES CO., LTD,**  
Shenzhen (CN)

**OTHER PUBLICATIONS**

(\*\*) Term: **15 Years**

“Wi-Fi” reference by Bling on smartboling.com, date unavailable, site visited Nov. 4, 2022, available from internet URL: [https://www.smartboling.com/ProductsStd\\_193.html](https://www.smartboling.com/ProductsStd_193.html) (Year: 2022).\*

(21) Appl. No.: **29/806,915**

(Continued)

(22) Filed: **Sep. 8, 2021**

*Primary Examiner* — Richard Kearney  
*Assistant Examiner* — Liv C Anderson

(51) **LOC (14) Cl.** ..... **26-04**

(52) **U.S. Cl.**  
USPC ..... **D26/25**

(57) **CLAIM**

(58) **Field of Classification Search**  
USPC ..... D26/1, 2, 4, 24, 25, 27, 57, 61, 67, 73,  
D26/94, 98, 103, 110, 119, 128;  
D11/117, 121, 130

The ornamental design for a string light, as shown and described.

CPC ..... F21S 4/00; F21S 4/10; F21S 4/15; F21S 4/20; F21S 4/22; F21S 4/24; F21S 4/26; F21W 2121/00; F21W 2121/04; F21W 2131/109

**DESCRIPTION**

See application file for complete search history.

FIG. 1 is a perspective view of a string light showing my new design;

(56) **References Cited**

**U.S. PATENT DOCUMENTS**

D635,105 S \* 3/2011 Maxik ..... D13/179  
D669,607 S \* 10/2012 Maxik ..... D26/2  
9,752,763 B2 \* 9/2017 Lin ..... H02G 15/117  
D804,689 S \* 12/2017 Zhou ..... D26/2  
D825,788 S \* 8/2018 Morris ..... D26/2  
D898,986 S \* 10/2020 Gold ..... D26/138  
D915,644 S \* 4/2021 Lin ..... D26/25  
D916,333 S \* 4/2021 Liang ..... D26/25

FIG. 2 is another perspective view thereof;

FIG. 3 is a front elevational view thereof;

FIG. 4 is a rear elevational view thereof;

FIG. 5 is a left side elevational view thereof;

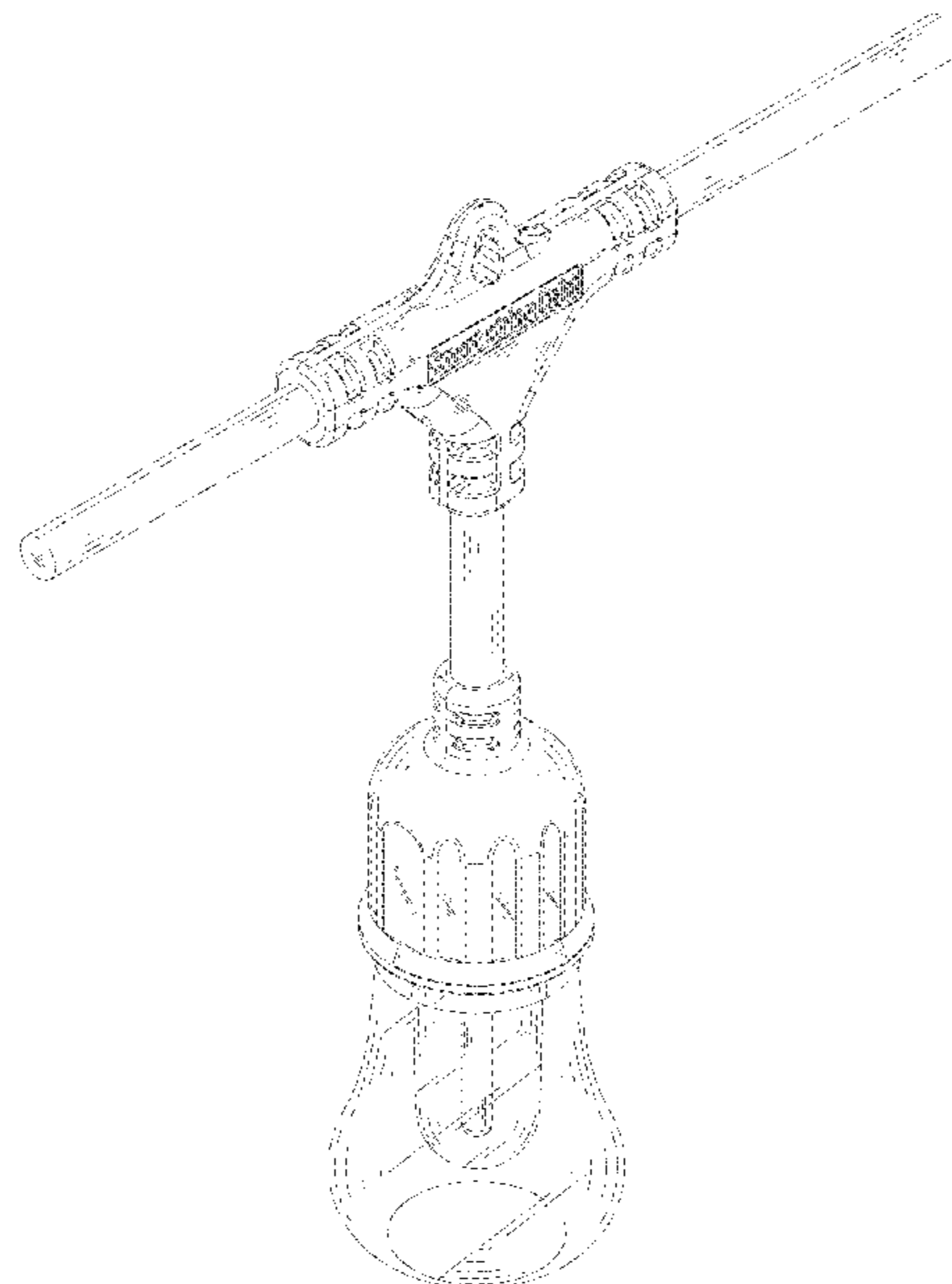
FIG. 6 is a right side elevational view thereof;

FIG. 7 is a top plan view thereof; and,

FIG. 8 is a bottom plan view thereof.

The broken lines and areas within the broken lines depict portions of the string light that form no part of the claimed design.

**1 Claim, 8 Drawing Sheets**



(56)

**References Cited**

## OTHER PUBLICATIONS

“Enbrighten” reference by Amazon.com, date first available May 22, 2016 [online], site visited Nov. 4, 2022, available from internet URL: <https://www.amazon.com/Enbrighten-Resistant-Weatherproof-Commercial-37790/dp/B072L11FJ6/> (Year: 2016).\*

“Atomi smart Color” reference by Get with IT Tech on Amazon.com, date first available Jun. 17, 2019 [online], site visited Nov. 4, 2022, available from internet URL: <https://www.amazon.com/atom-smart-Color-String-Lights/dp/B07L5VH13G/> (Year: 2019).\*

“XMCOSY” reference by XMCOSY+ Outdoor Lighting on Amazon.com, date first available Aug. 26, 2019 [online], site visited Nov. 4, 2022, available from internet URL: <https://www.amazon.com/Outdoor-String-Lights-Colored-Waterproof/dp/B08614LWZK/> (Year: 2019).\*

“Atomi Smart 2nd Gen” reference by Atomi Smart on Amazon.com, date first available Nov. 13, 2020 [online], site visited Nov. 4, 2022, available from internet URL: <https://www.amazon.com/atom-smart-Color-Changing-String-Lights/dp/B08NFC4R68/> (Year: 2020).\*

“ULA1L” reference by ULA1L Pty Ltd on Amazon.com, date first available Sep. 9, 2021 [online], site visited Nov. 4, 2022, available from internet URL: <https://www.amazon.com/Outdoor-Compatible-Assistant-Dimmable-Changing/dp/B09FLVD343/> (Year: 2021).\*

“LED” reference by Sgoood US on Amazon.com, date first available Nov. 19, 2021 [online], site visited Nov. 4, 2022, available from internet URL: <https://www.amazon.com/Outdoor-Changing-Commercial-Dimmable-Backyard/dp/B09JSLX9R9/> (Year: 2021).\*

“Genlar” reference by JXASD Store on Amazon.com, date first available Feb. 10, 2022 [online], site visited Nov. 4, 2022, available from internet URL: <https://www.amazon.com/Outdoor-Acrylic-Waterproof-Shatterproof-Changing/dp/B09MHJ7F9T/> (Year: 2022).\*

\* cited by examiner

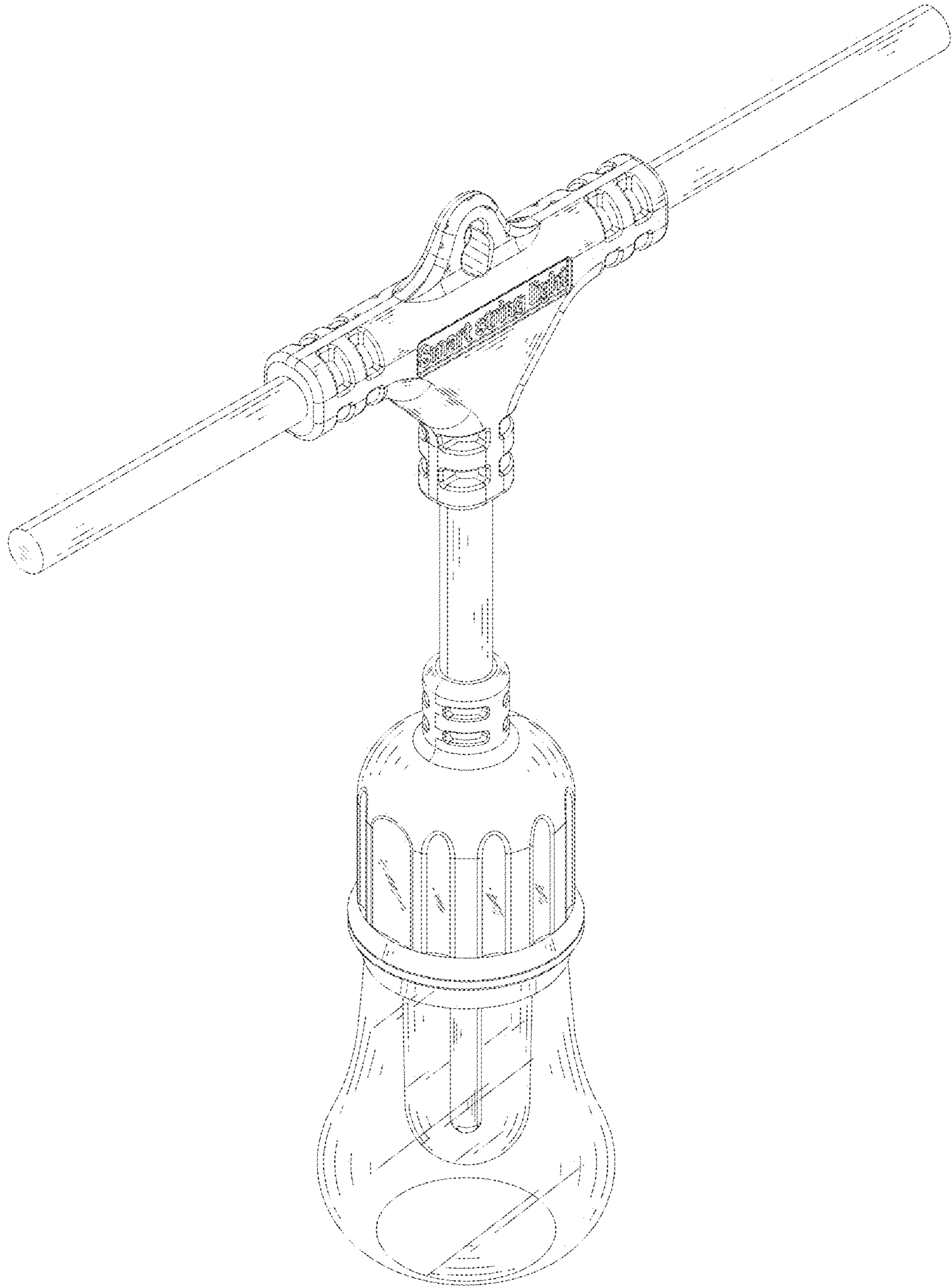


FIG. 1

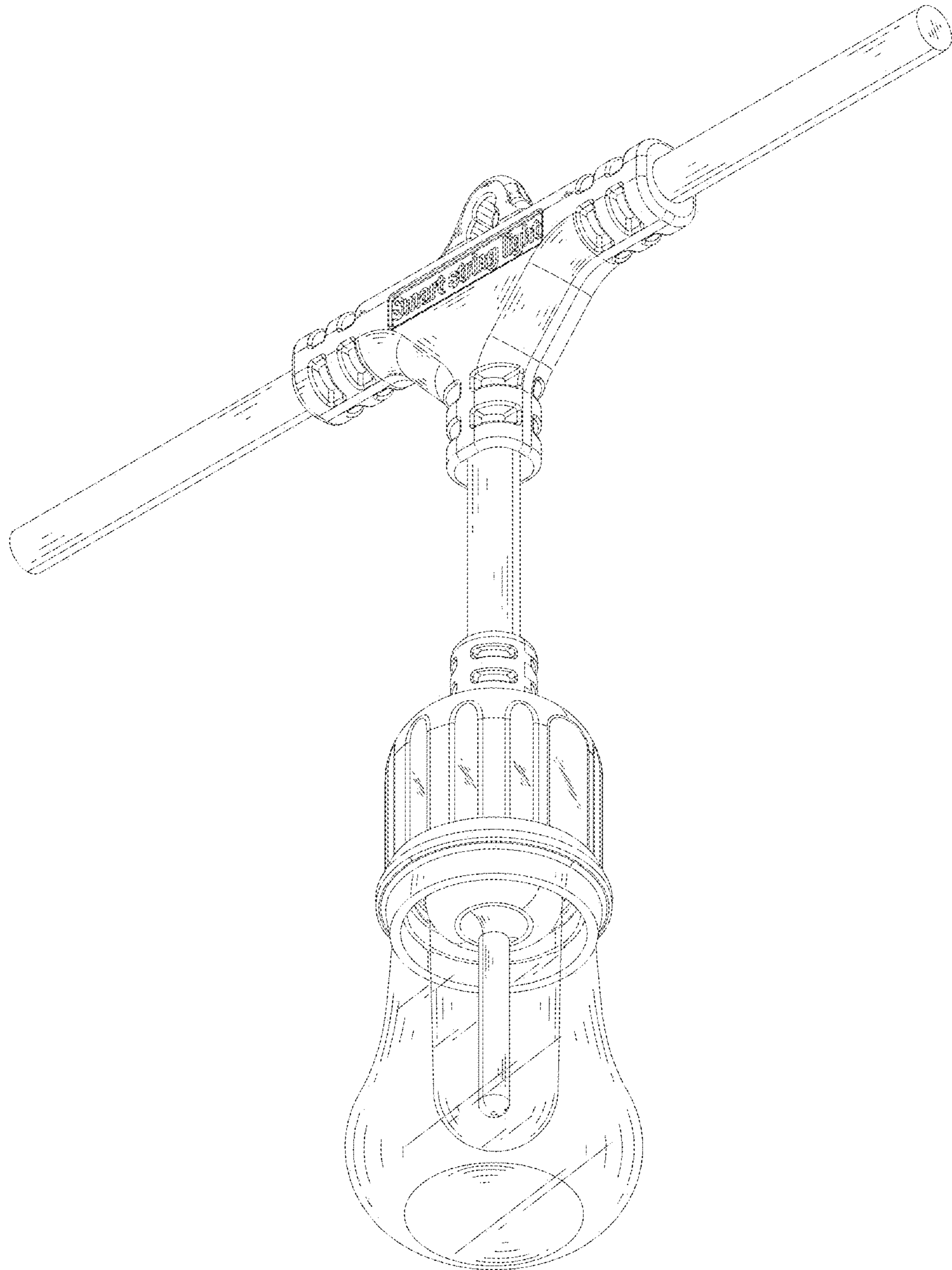


FIG. 2

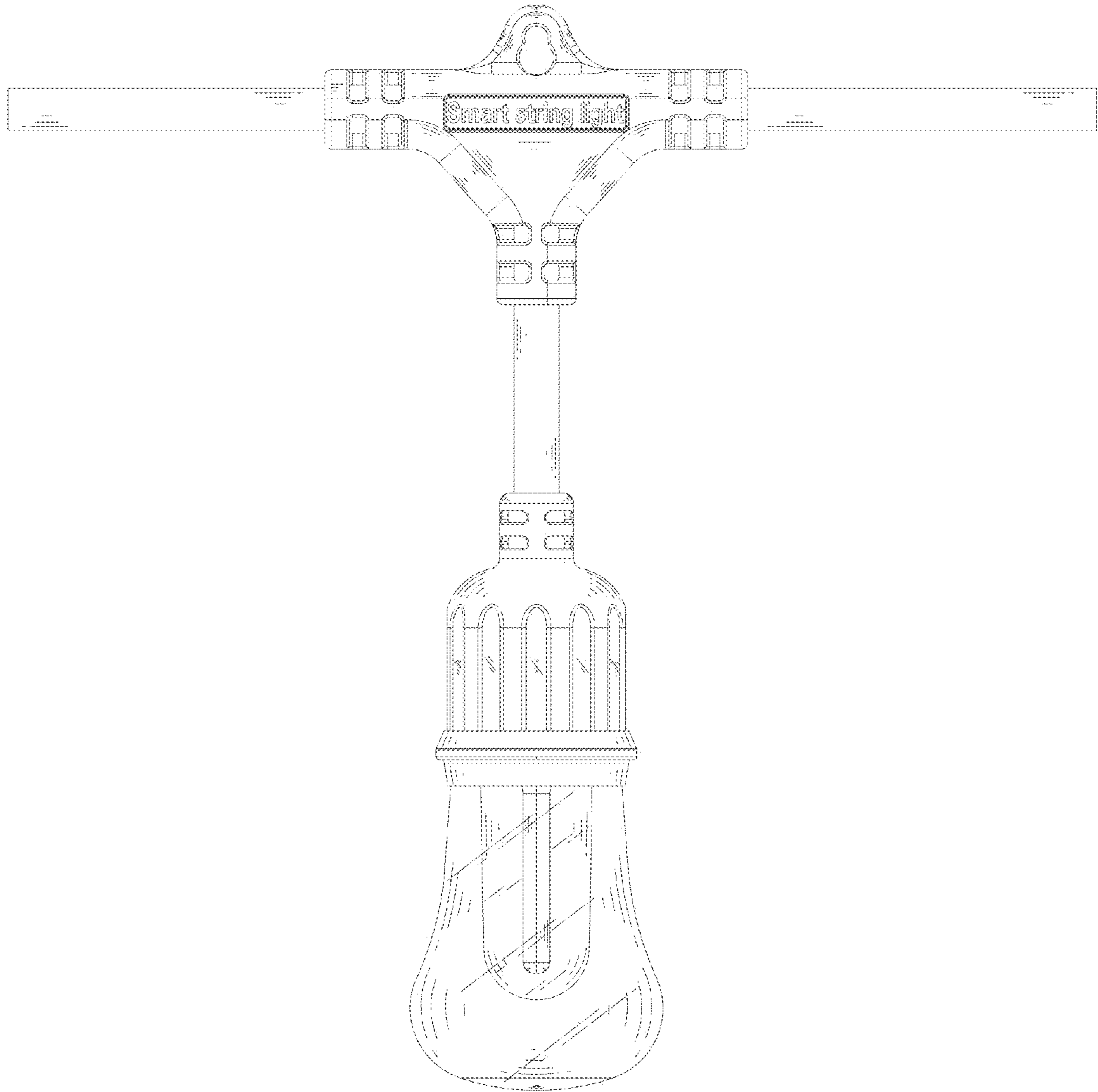


FIG. 3

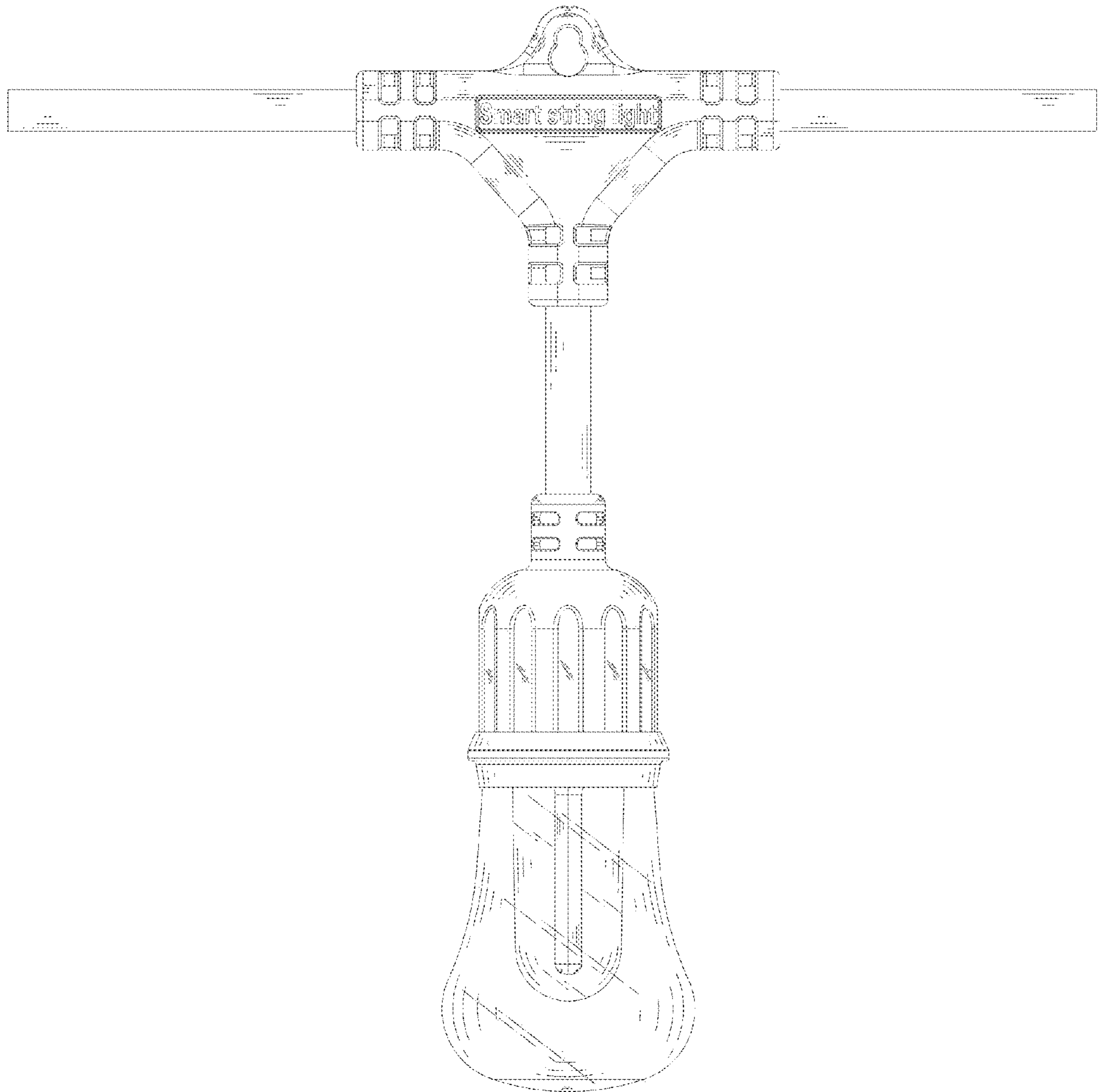


FIG. 4

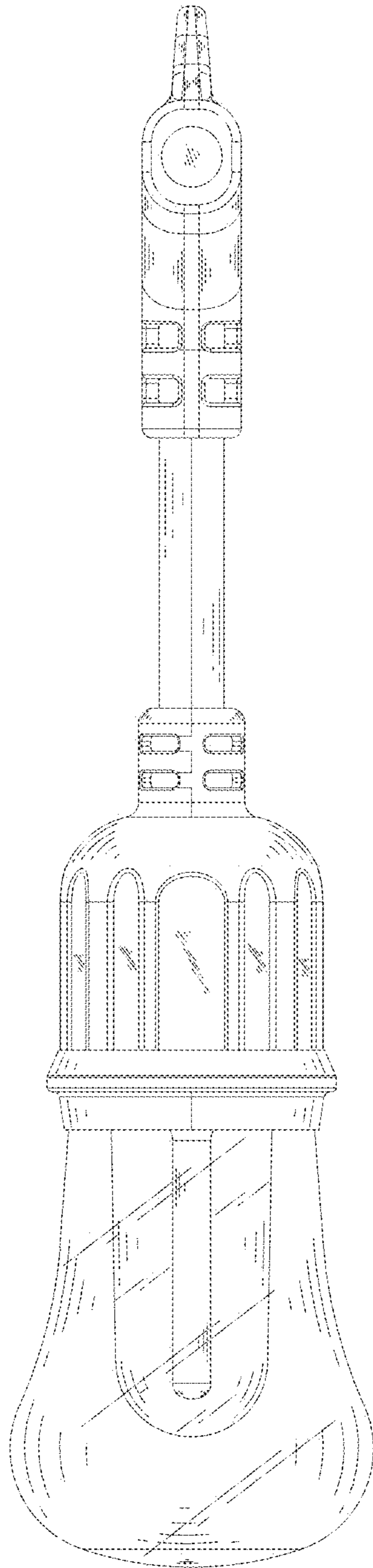


FIG. 5

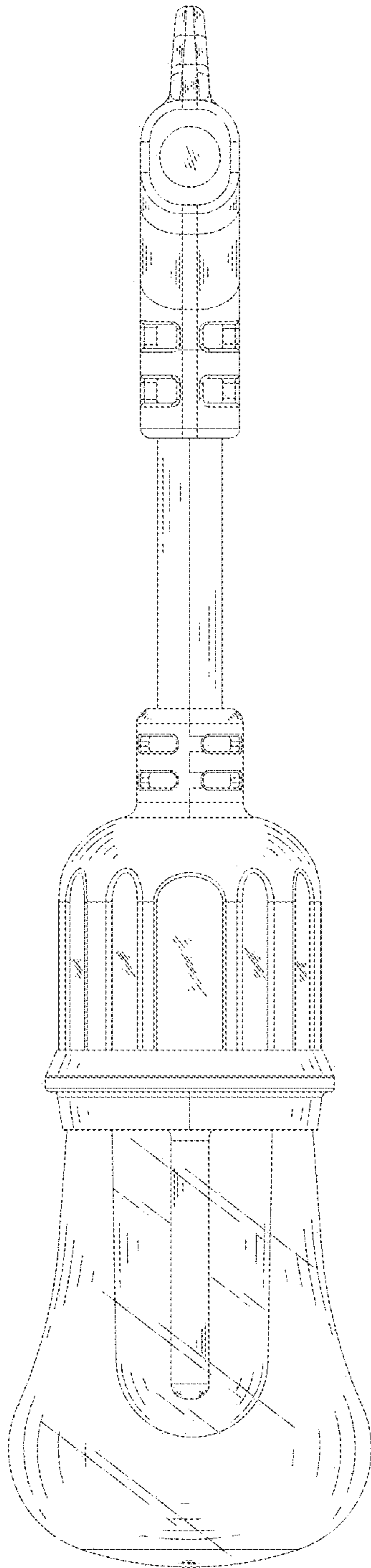


FIG. 6



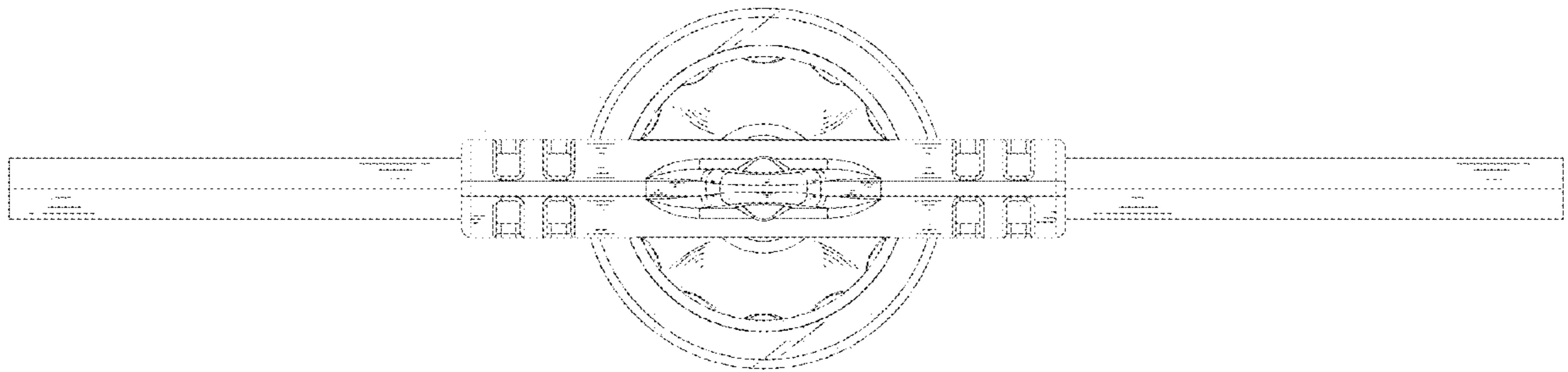


FIG. 7

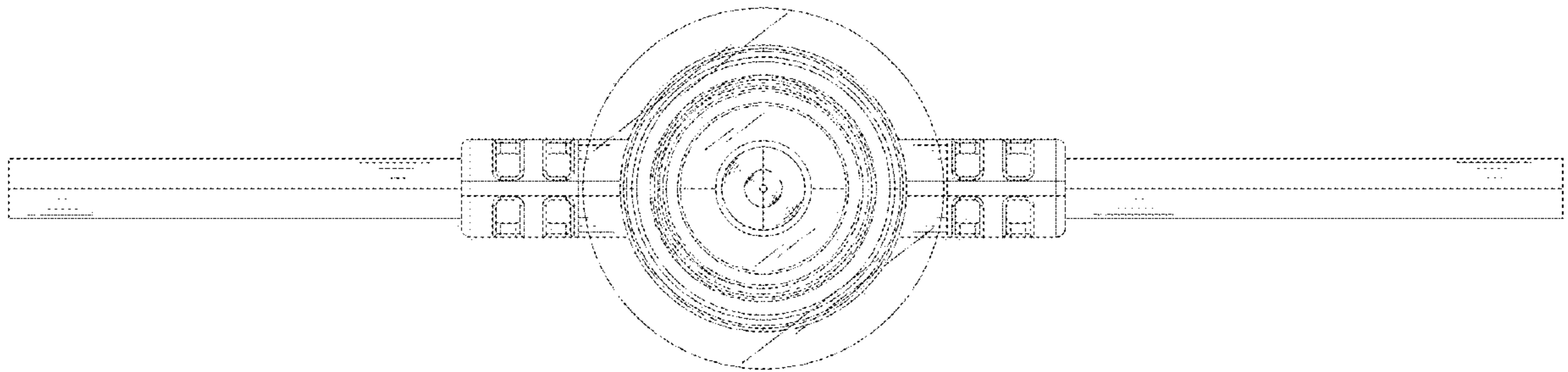


FIG. 8