



US00D986445S

(12) **United States Design Patent**
Mishan et al.

(10) **Patent No.:** **US D986,445 S**

(45) **Date of Patent:** **** May 16, 2023**

(54) **LAMP**

(71) Applicant: **E. MISHAN & SONS, INC.**, New York, NY (US)

(72) Inventors: **Isaac Mishan**, New York, NY (US);
Mohan Rajasekaran, Watertown, CT (US)

(73) Assignee: **E. MISHAN & SONS, INC.**, New York, NY (US)

(**) Term: **15 Years**

(21) Appl. No.: **29/763,701**

(22) Filed: **Dec. 23, 2020**

(51) **LOC (14) Cl.** **26-04**

(52) **U.S. Cl.**
USPC **D26/2**

(58) **Field of Classification Search**
USPC D26/1-4, 59, 60, 72, 73, 80, 81, 83
CPC H01R 5/00; H01R 13/46; H01R 13/514;
H01R 31/02; H01R 31/048; H01J 5/00;
H01J 5/16; H01J 1/02; H01J 15/00; H01J
5/48; H01J 5/50; H01J 19/54; F21V 5/00;
F21K 9/00; F21K 13/00

See application file for complete search history.

(56) **References Cited**

U.S. PATENT DOCUMENTS

D578,696 S	10/2008	Wang	
8,047,682 B2	11/2011	Zheng	
8,092,047 B2	1/2012	Ma	
D745,709 S *	12/2015	Iguma	D26/2
D761,973 S *	7/2016	Moon	D26/2
D780,347 S *	2/2017	Shum	D26/2
D781,468 S *	3/2017	Shum	D26/2
10,274,172 B1	4/2019	Chiu	
D861,926 S	10/2019	Lin	
D870,943 S	12/2019	Kuang	
D879,334 S	3/2020	Lin	

D879,335 S	3/2020	Lin	
D882,851 S	4/2020	Deng	
D882,127 S	5/2020	Cao	
D884,244 S *	5/2020	Wang	D26/2
D884,952 S *	5/2020	Cao	D26/2

(Continued)

FOREIGN PATENT DOCUMENTS

EM	006892816-0001	9/2019
EM	006988671-0001	10/2019

(Continued)

OTHER PUBLICATIONS

Amazon.com_ Uonlytech Foldable LED <https://www.amazon.com/Uonlytech-Foldable-Four-Leaf-Creative-Blades/dp/B083SM2HD8> First Available Jan. 13, 2020 (Year: 2020).*

(Continued)

Primary Examiner — Leanne Was-Englehart

(74) *Attorney, Agent, or Firm* — Notaro, Michalos & Zaccaria P.C.

(57) **CLAIM**

The ornamental design for a lamp, as shown and described.

DESCRIPTION

FIG. 1 is a top, front perspective view of a lamp showing our design;

FIG. 2 is a bottom, front perspective view thereof;

FIG. 3 is a front elevational view thereof;

FIG. 4 is a rear elevational view thereof;

FIG. 5 is a left elevational view thereof;

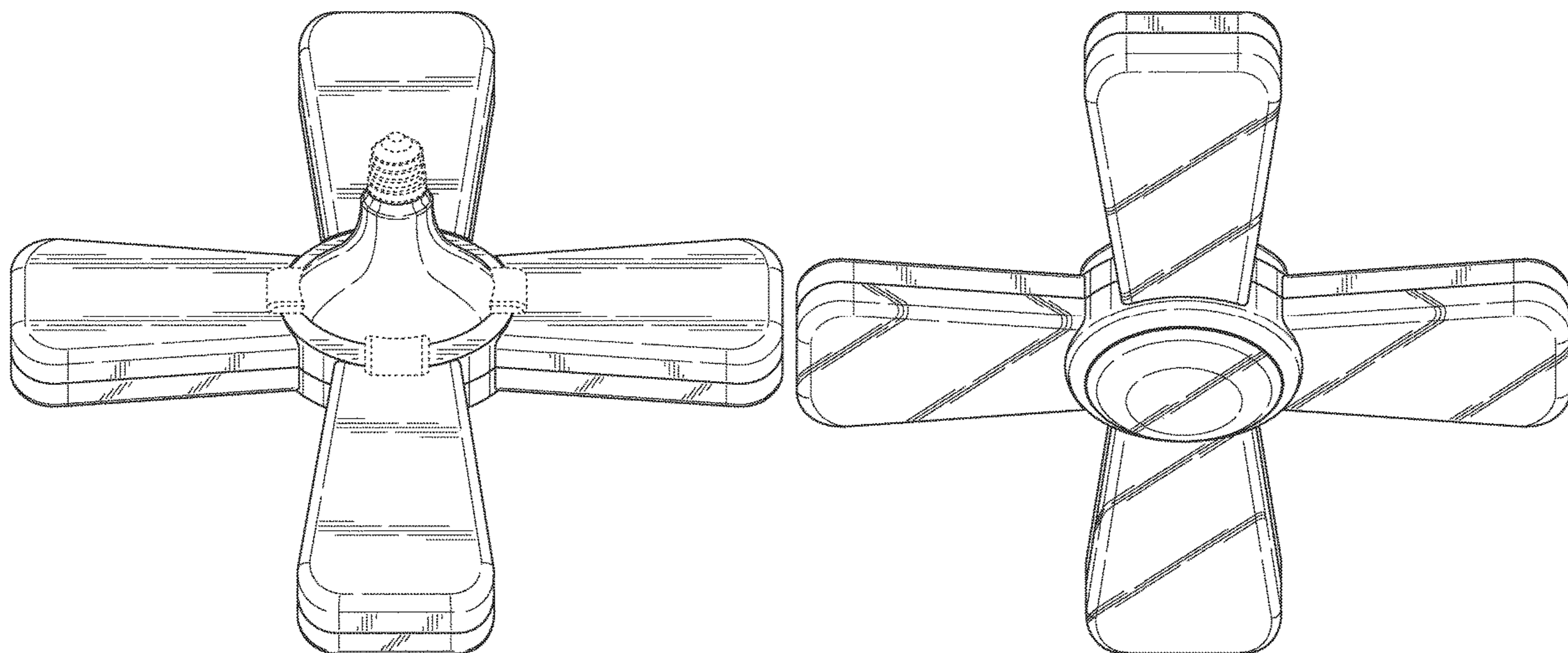
FIG. 6 is a right elevational view thereof;

FIG. 7 is a top plan view thereof; and,

FIG. 8 is a bottom plan view thereof.

Throughout the figures, broken lines are boundaries that form no part of the design to be patented.

1 Claim, 6 Drawing Sheets



(56)

References Cited

U.S. PATENT DOCUMENTS

D885,629 S * 5/2020 Liu D26/2
 D885,630 S * 5/2020 Lin D26/2
 D886,353 S 6/2020 Du
 D887,610 S 6/2020 Wei
 D895,170 S * 9/2020 Zhang D26/2
 D908,941 S * 1/2021 Cai D26/63
 D925,086 S * 7/2021 Ma D26/2
 D938,625 S * 12/2021 Luo D26/2
 D952,222 S * 5/2022 Shen D26/2
 D953,514 S * 5/2022 Mishan D23/379
 D956,305 S * 6/2022 Mo D26/63
 D964,622 S * 9/2022 Wu D26/63
 2011/0170288 A1 6/2011 Kim
 2017/0299151 A1 10/2017 Luo

FOREIGN PATENT DOCUMENTS

EM 008162598-0001 10/2019
 EM 007934161-0001 11/2019
 EM 008003669-0001 11/2019
 EM 007998208-0001 5/2020

EM 007170113-0001 6/2020
 EM 007193750-0001 6/2020
 EM 006988671-0002 9/2020

OTHER PUBLICATIONS

Amazon_80W LED Garage Lights 2 Pack https://www.amazon.com/dp/B089Q4C1VF/ref=sspa_dk_detail_1?pf_rd_p=56b6d1e1-8781-4e32-a7bc-5298ad4b88ac&pf_rd_r=FPC7PQ4SDRJHFZ2FF2GD&pd_rd_wg=p3AAO&pd_rd_w=AEgK8&content-id=amzn1.sym.56b6d1e1-8781-4e32-a7bc-5298ad4b88ac&pd_rd_r URL cont'd on Ref W (Year: 2020).*
 Cont'd from Ref V =c1740a7a-feb1-43a6-9da8-55337008b27a&s=hi&sp_csd=d2lkZ2VOTmFtZT1zcF9kZXRhaWwy&spLa=ZW5jc nlwdGVkUXVhbGlmaWVyPUFJQ1RXOU81NTQOROQmZW5jc nlwdGVkSWQ9QTA1OTAyMTEzNk5JRkZRVENUSDFVJmVuY3J5cHRIZEFkSWQ9QTAxOTEwNDQyUkUyWEEOUTVITIVUJndpZGldE5hbWU9c3BfZGV0YWlsMiZhY3Rpb249Y2xp Cont'd on Ref X (Year: 2020).*
 URL cont'd from Ref W
 Y2tSZWRpcmVjdCZkb05vdExvZONsaWNrPXRydWU&th=1 First Available Sep. 24, 2020 (Year: 2020).*

* cited by examiner

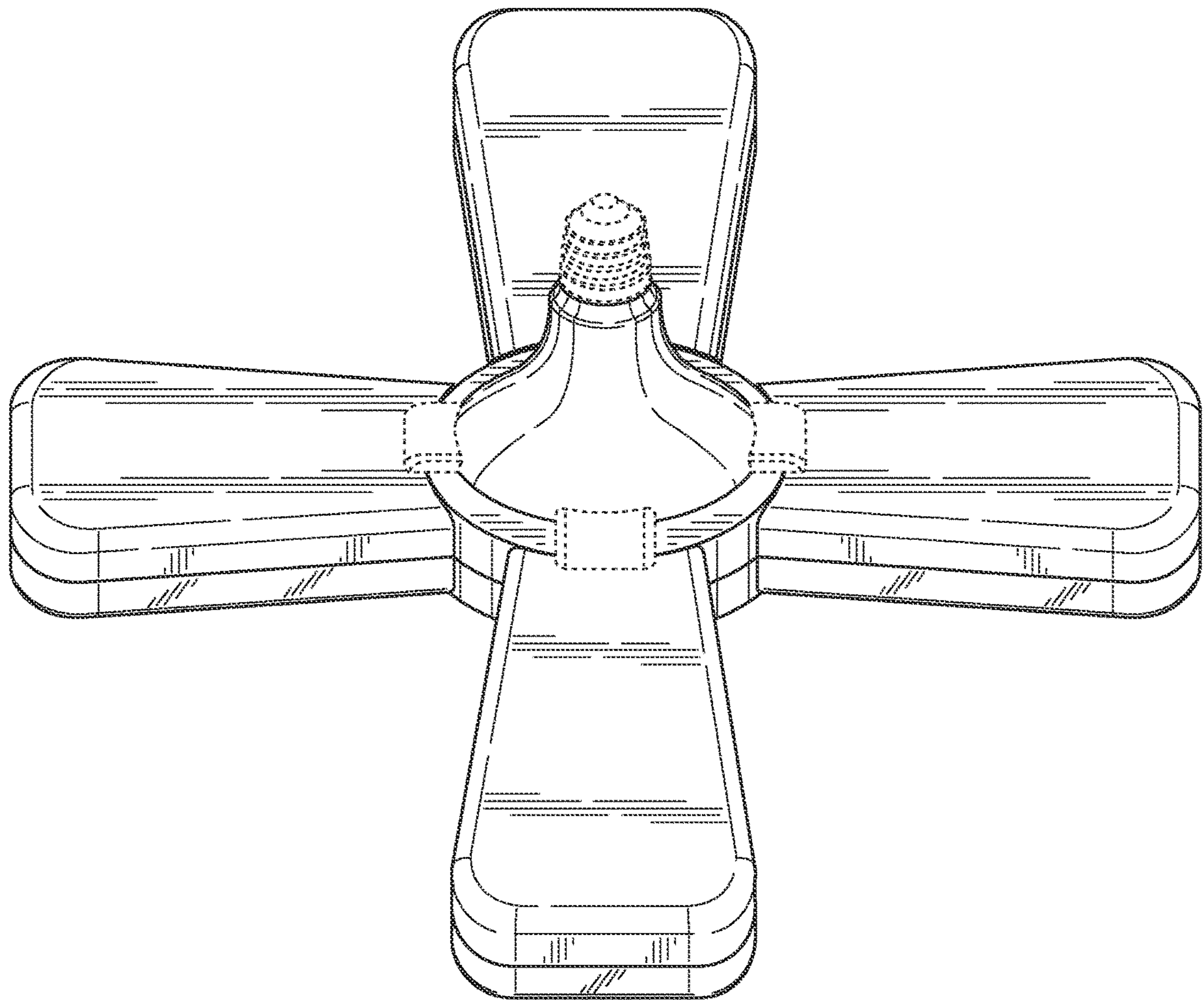


FIG. 1

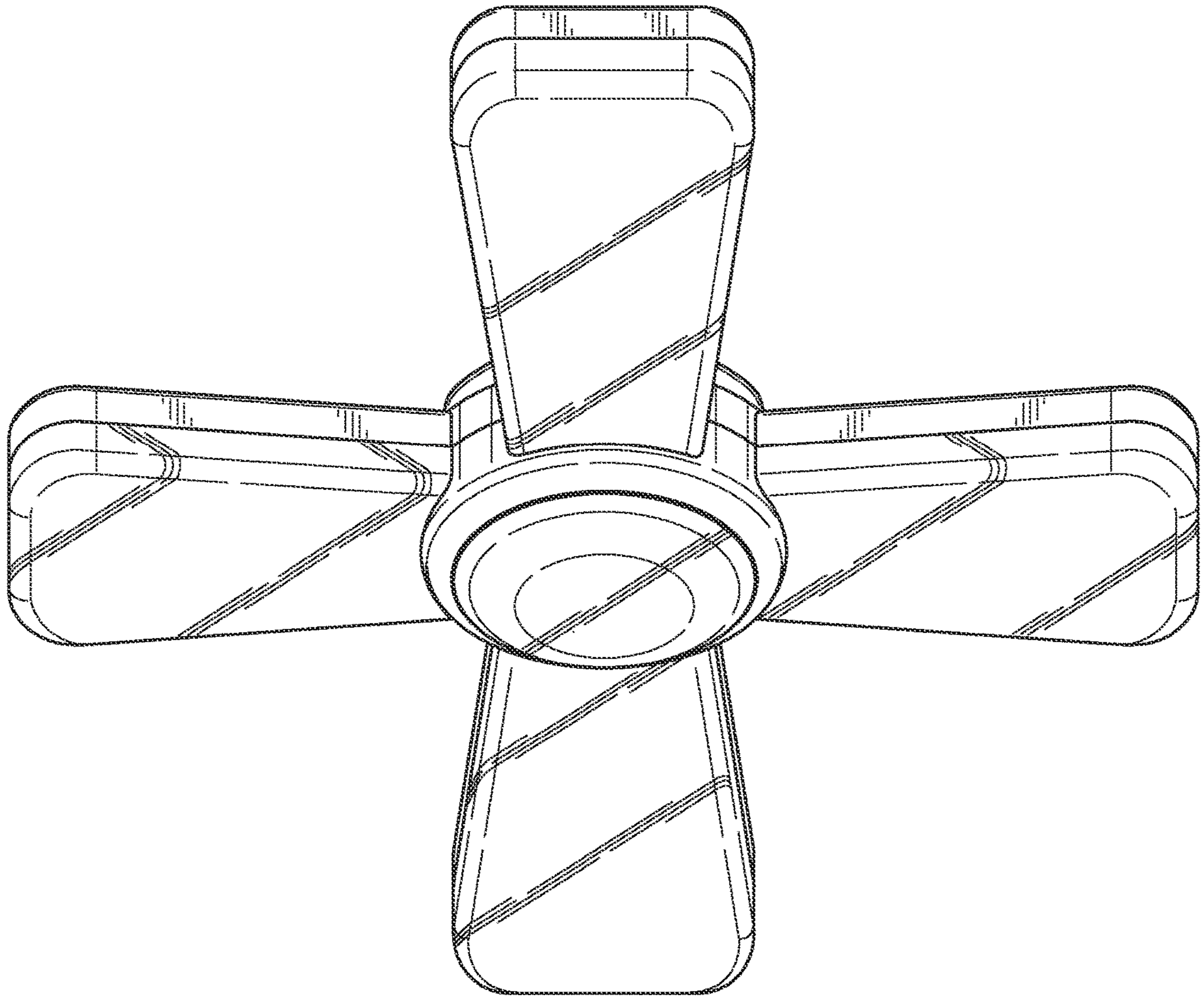


FIG. 2

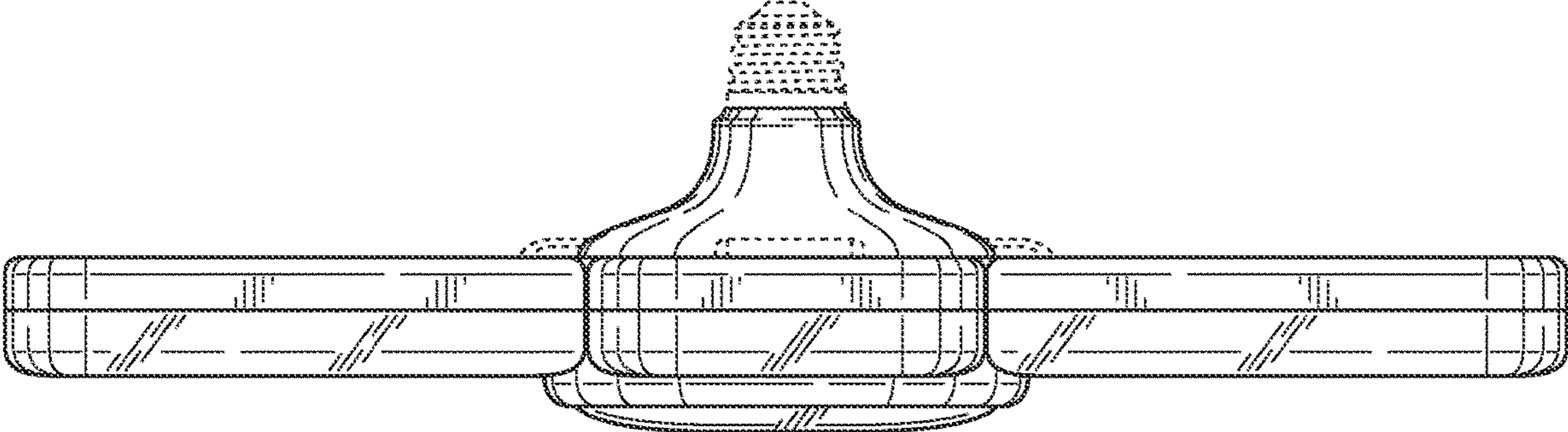


FIG. 3

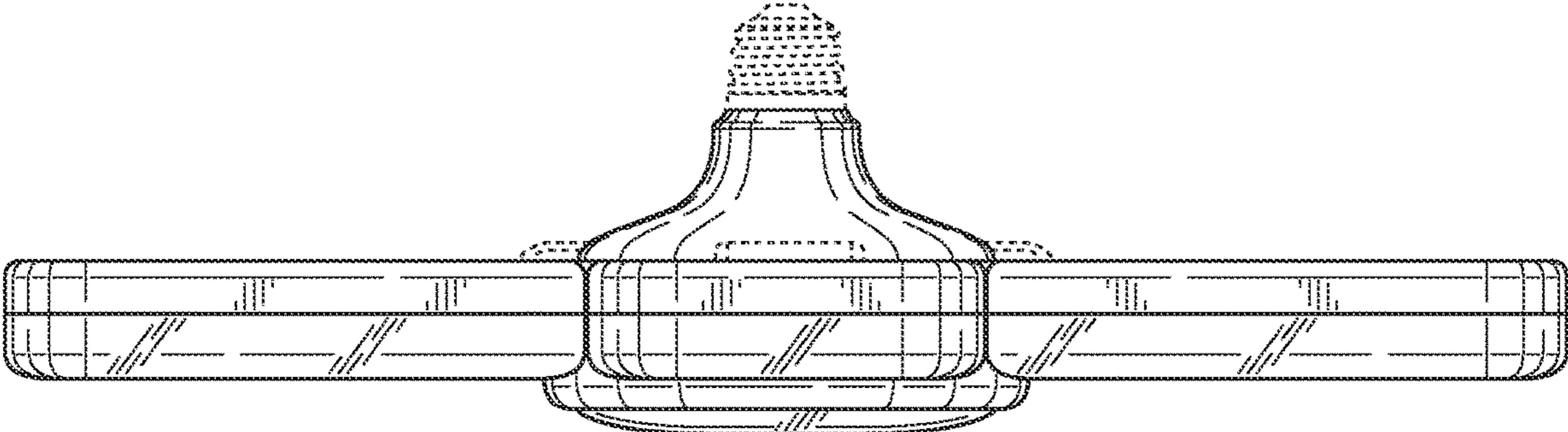


FIG. 4

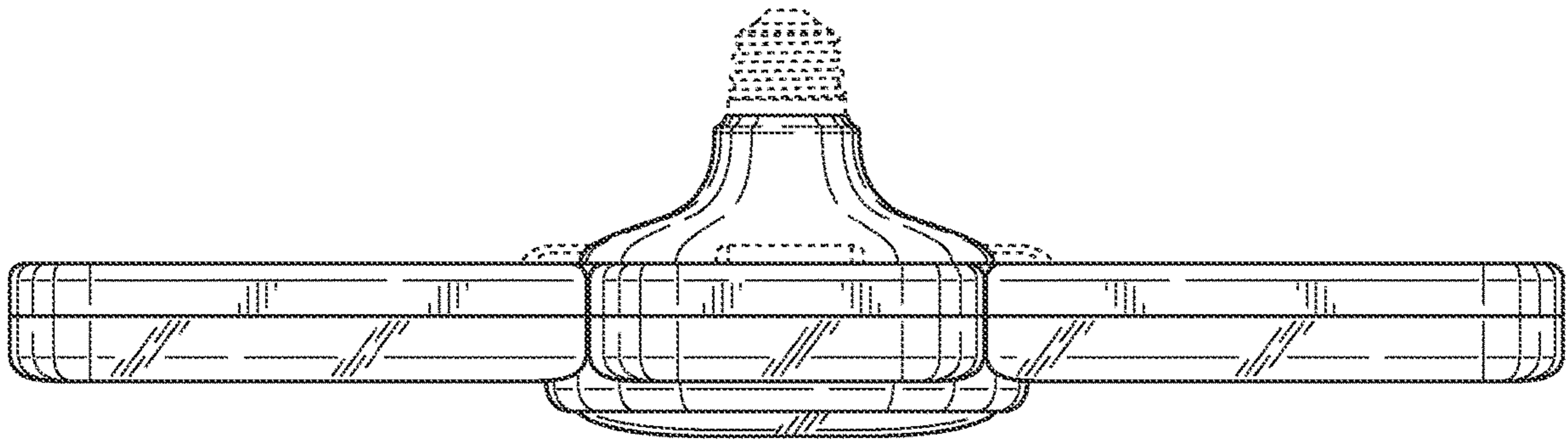


FIG. 5

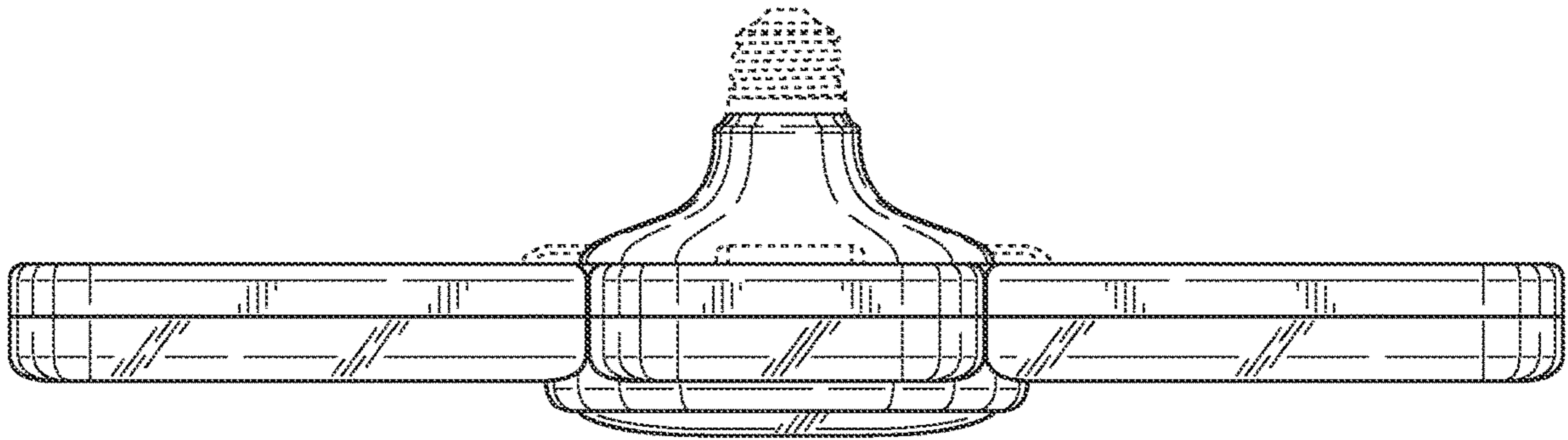


FIG. 6

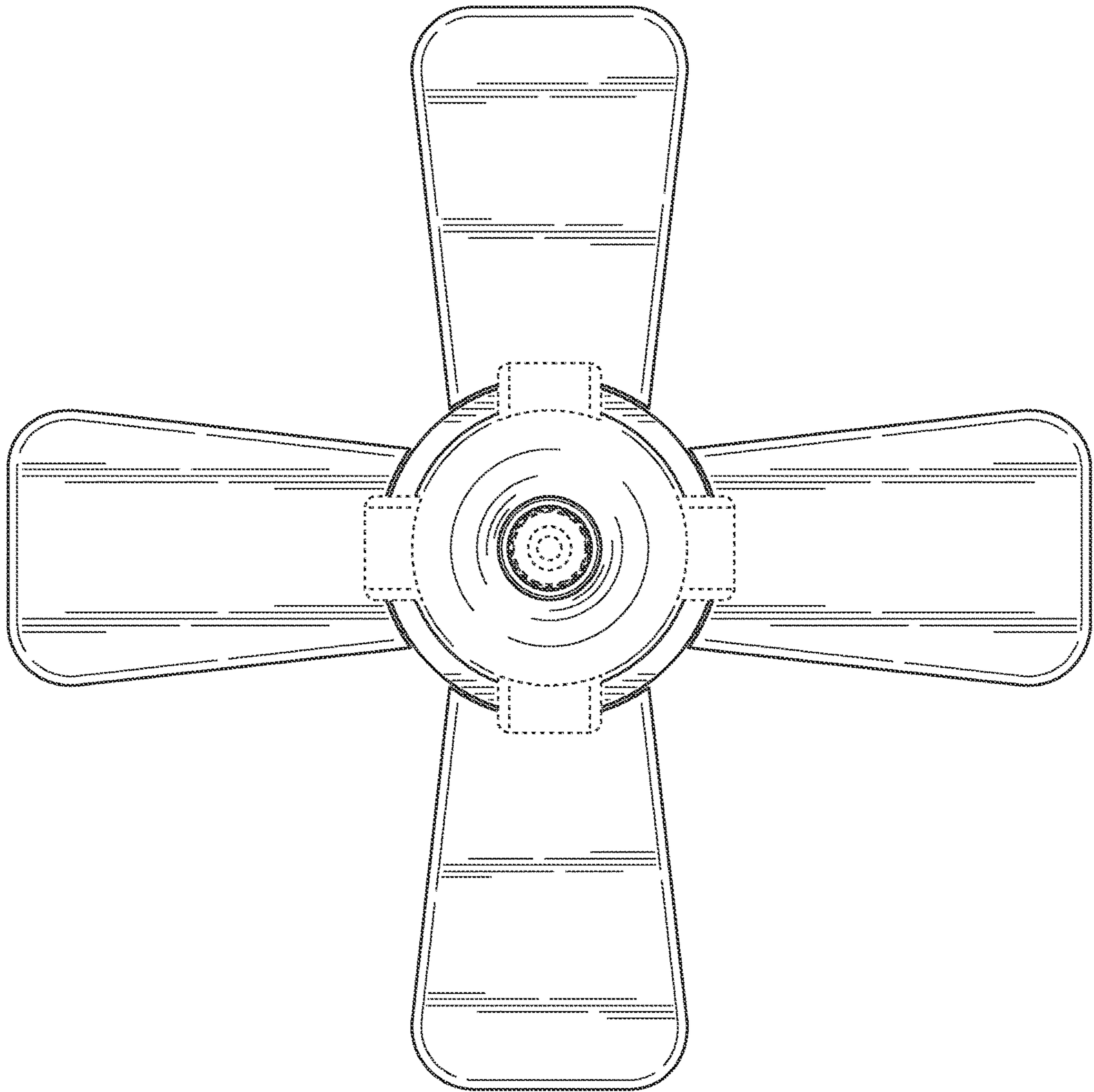


FIG. 7

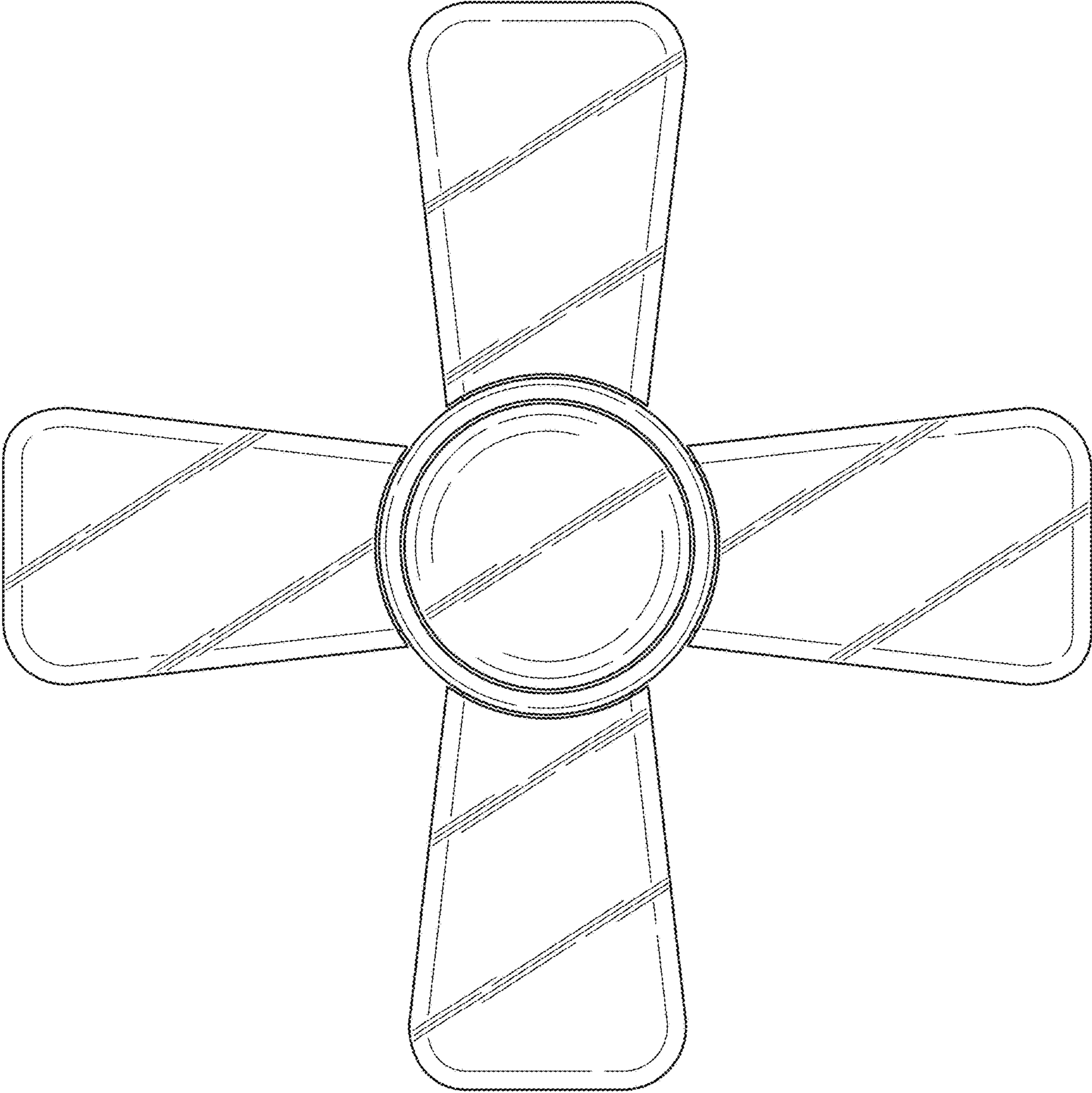


FIG. 8