



US00D986444S

(12) **United States Design Patent**
Wang

(10) **Patent No.:** **US D986,444 S**

(45) **Date of Patent:** **** May 16, 2023**

(54) **LIGHT BULB**

(71) Applicant: **DONGGUAN HUIHUAN LIGHTING CO., LTD.**, Dongguan (CN)

(72) Inventor: **Song Wang**, Chengdu (CN)

(73) Assignee: **DONGGUAN HUIHUAN LIGHTING CO., LTD.**, Dongguan (CN)

(**) Term: **15 Years**

(21) Appl. No.: **29/834,176**

(22) Filed: **Apr. 11, 2022**

(51) **LOC (14) Cl.** **26-04**

(52) **U.S. Cl.**
USPC **D26/2**

(58) **Field of Classification Search**
USPC D26/1-5, 24-26
CPC F21V 5/00; F21V 6/00; F21V 7/05; F21V 7/06; F21V 9/00; F21V 21/044; F21V 21/047; F21V 21/049; F21Y 2115/10; F21S 8/02; F21S 8/026
See application file for complete search history.

(56) **References Cited**

U.S. PATENT DOCUMENTS

D372,992 S *	8/1996	Martich	F21K 9/232
				D26/3
D470,605 S *	2/2003	Bobel	D26/2
D471,651 S *	3/2003	Bobel	D26/2
D480,486 S *	10/2003	Kakuno	D26/2
D484,995 S	1/2004	Vakil		

D600,369 S *	9/2009	Arndt	D26/2
D743,060 S *	11/2015	Minale	D26/2
D789,566 S	6/2017	Morneau et al.		
D823,493 S *	7/2018	Morris	D26/2
D823,494 S *	7/2018	Morris	D26/2
D825,788 S *	8/2018	Morris	D26/2
D826,434 S *	8/2018	Soofer	D26/3
D827,163 S *	8/2018	Jiang	D26/2
10,365,421 B2 *	7/2019	Dulley	F21K 9/232
2022/0349532 A1 *	11/2022	Wang	F21K 9/232

FOREIGN PATENT DOCUMENTS

CN 304659057 * 10/2017

* cited by examiner

Primary Examiner — Keli L Hill

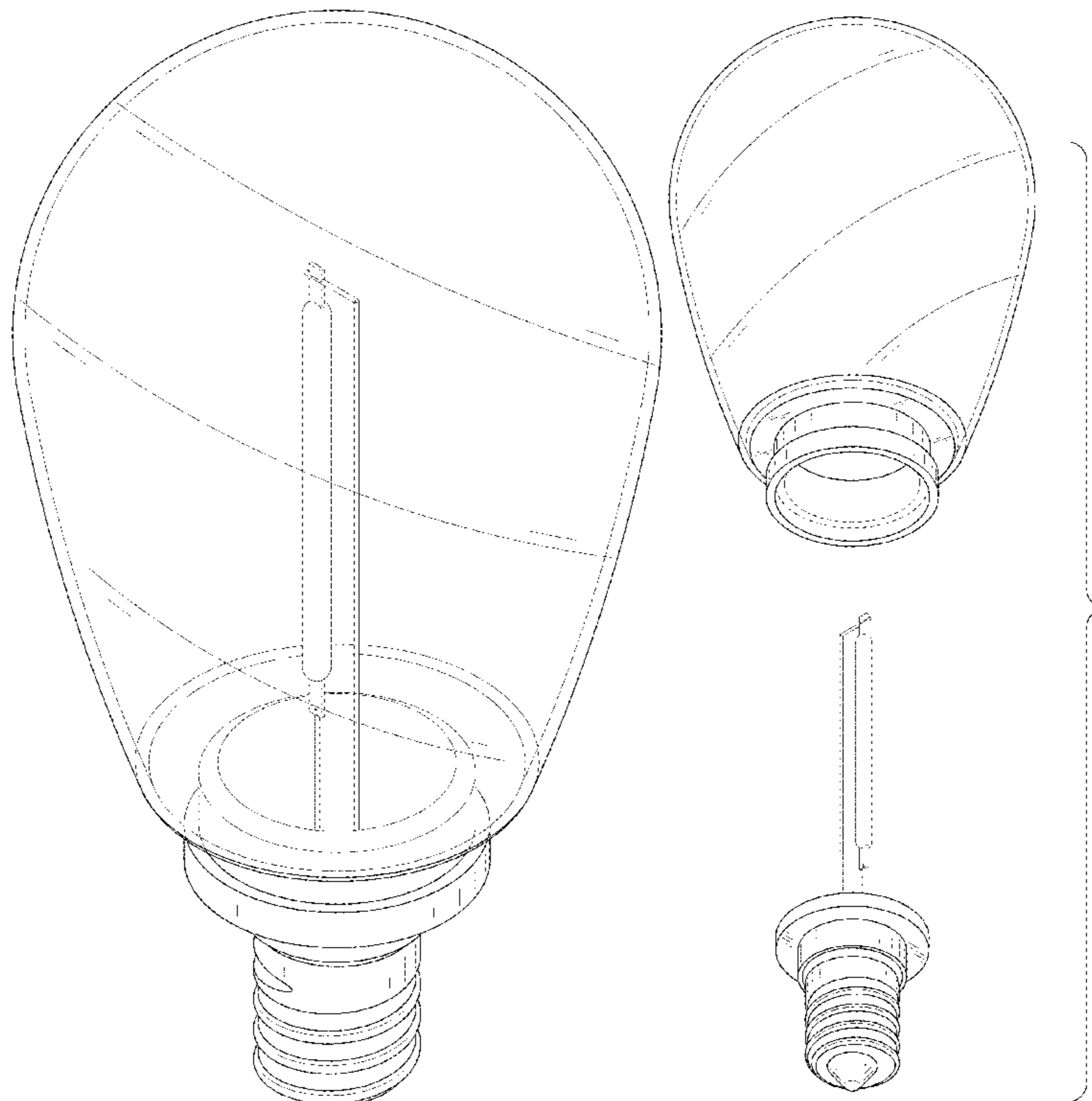
(57) **CLAIM**

The ornamental design for a light bulb, as shown and described.

DESCRIPTION

FIG. 1 is a perspective view of a light bulb; FIG. 2 is another perspective view thereof; FIG. 3 is a front elevational view thereof; FIG. 4 is a rear elevational view thereof; FIG. 5 is a left side elevational view thereof; FIG. 6 is a right side elevational view thereof; FIG. 7 is a top plan view thereof; FIG. 8 is a bottom plan view thereof; and, FIG. 9 is an exploded perspective view of the light bulb. The broken lines in the drawings depict portions of the light bulb that form no part of the claimed design.

1 Claim, 9 Drawing Sheets



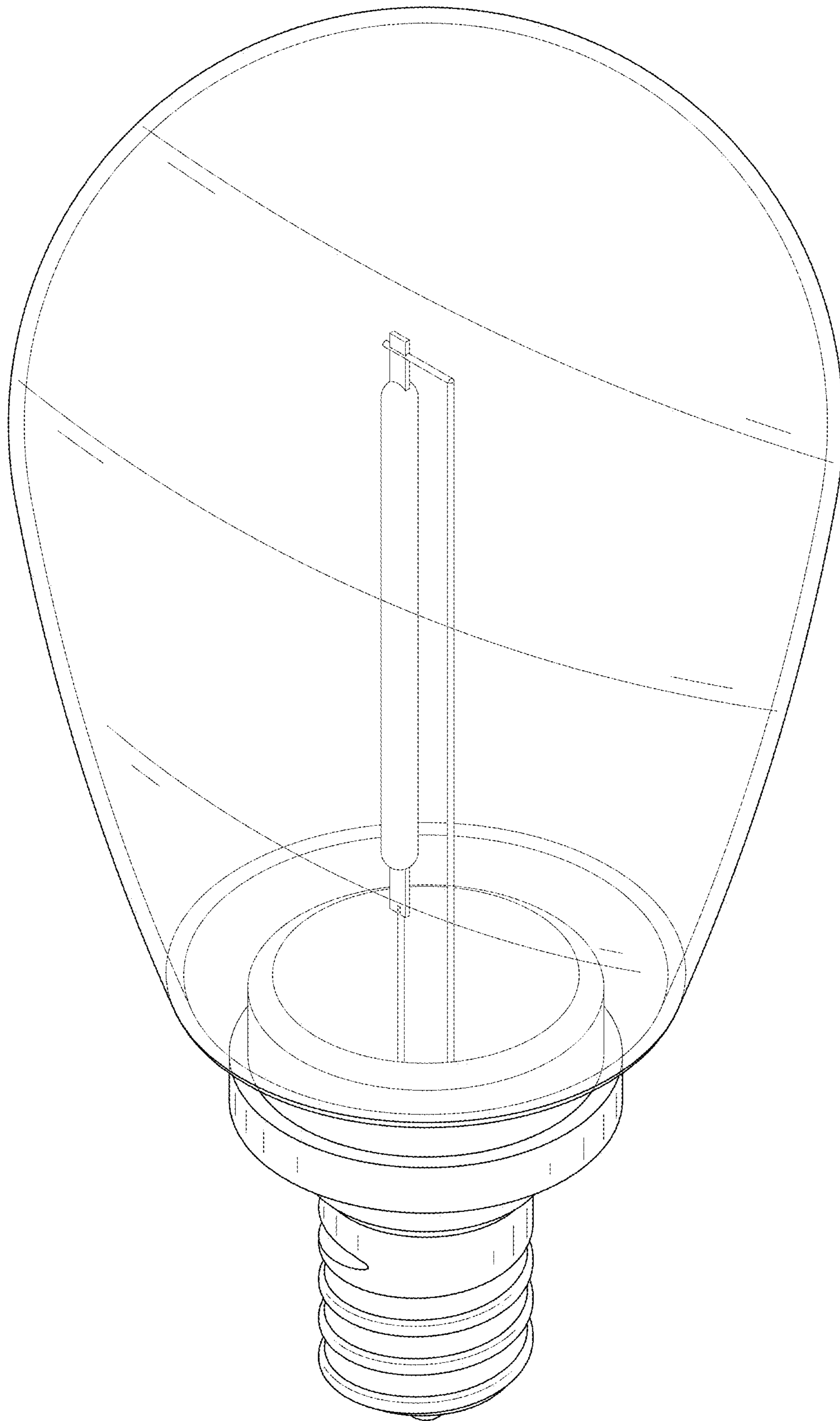


FIG. 1

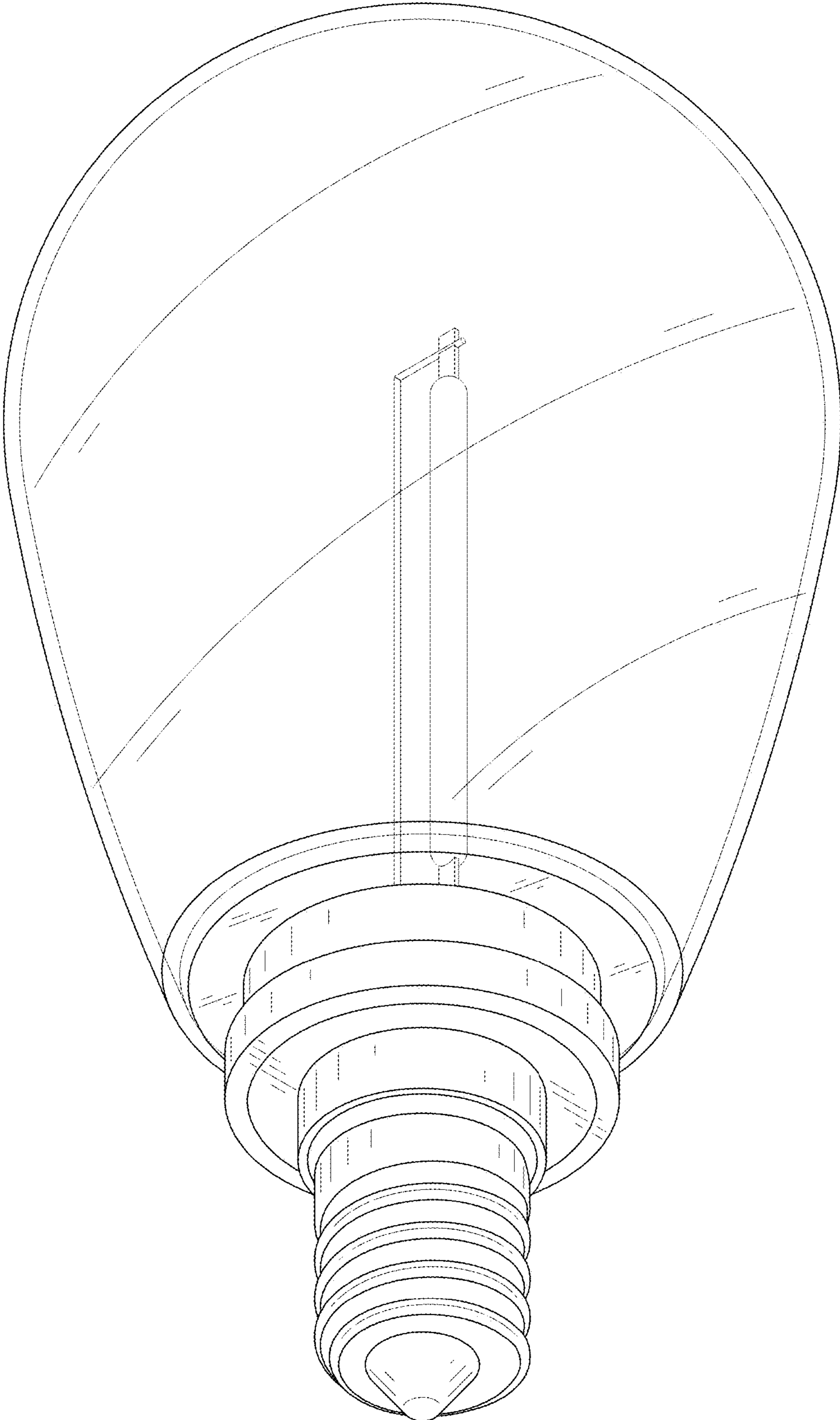


FIG. 2

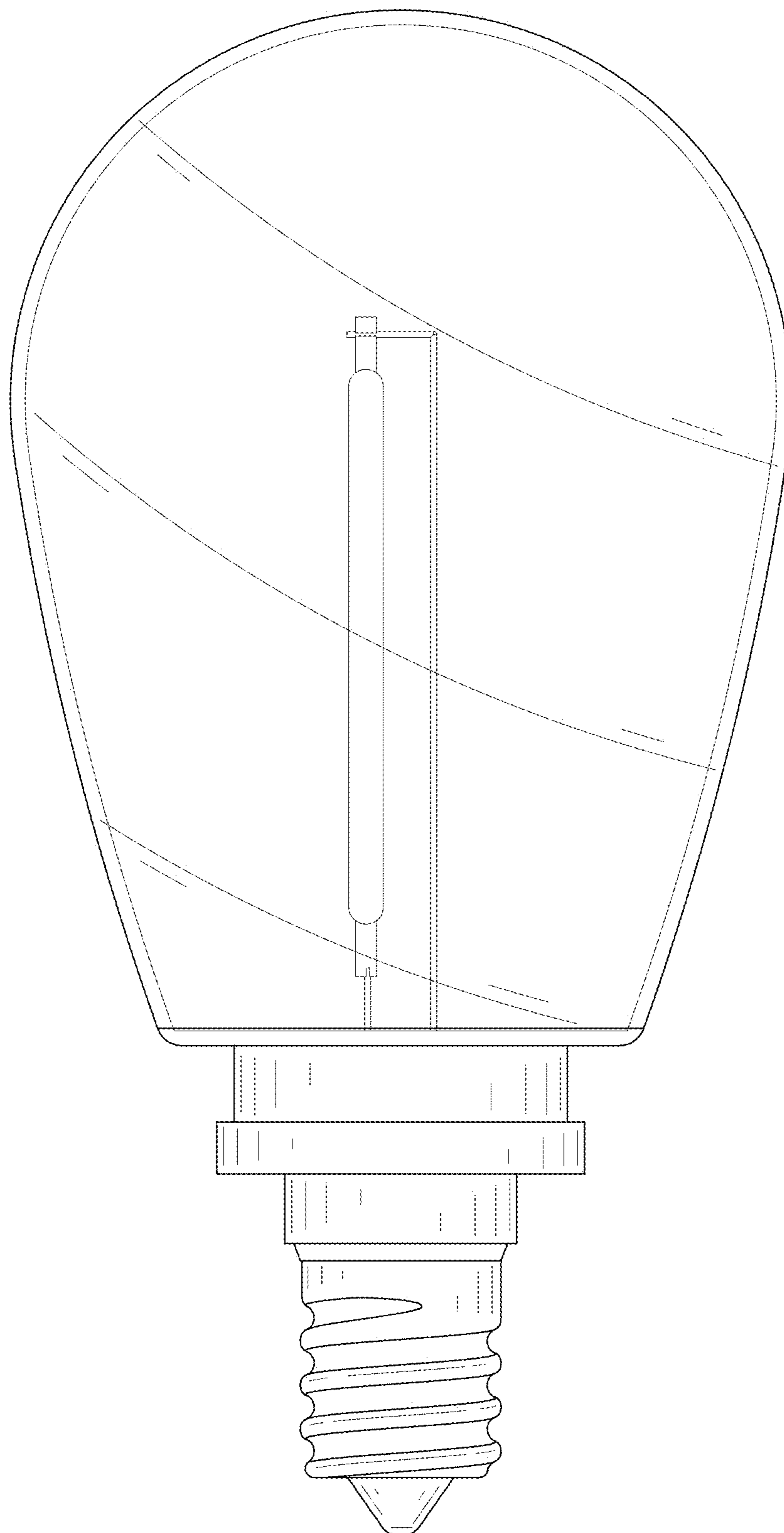


FIG. 3

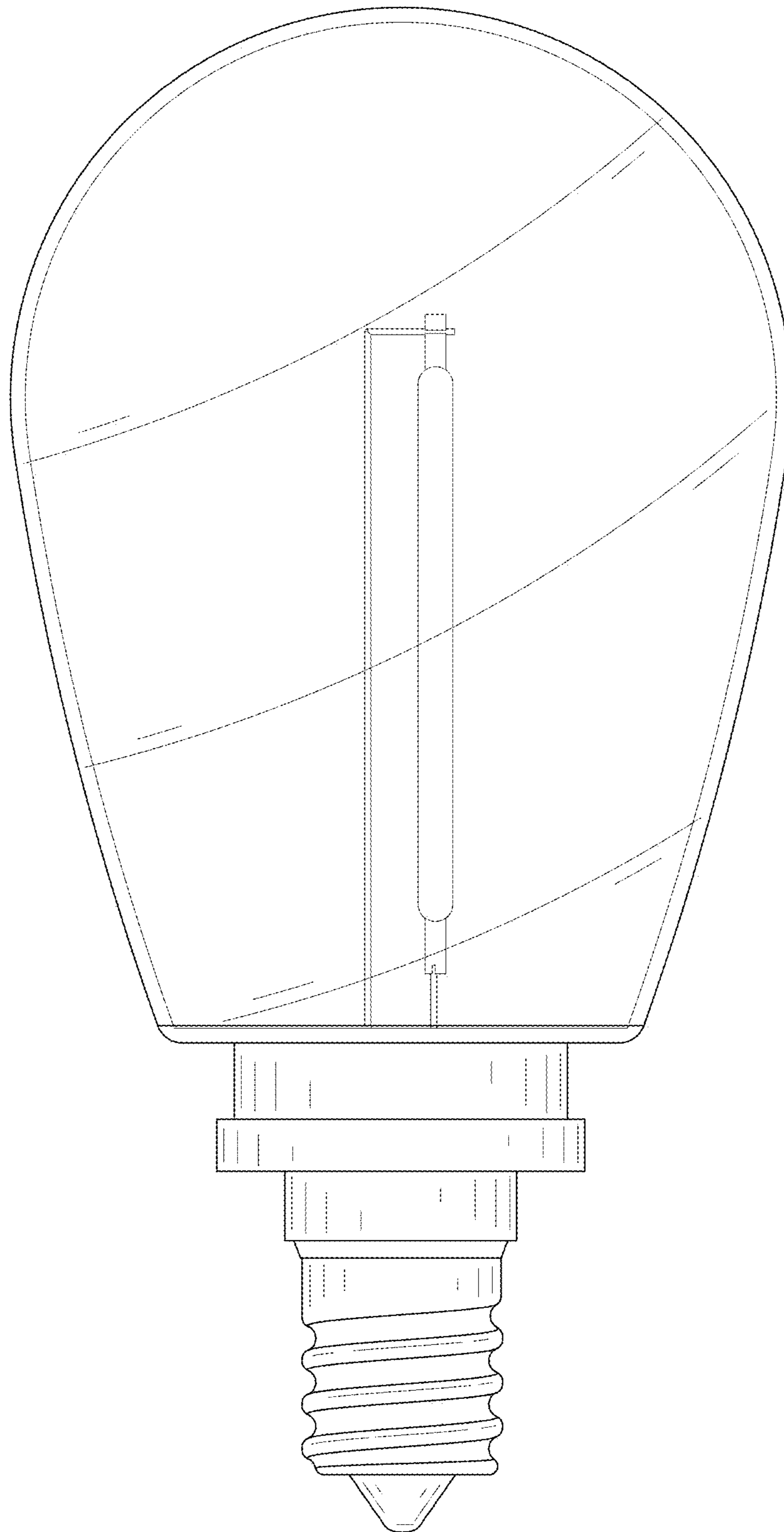


FIG. 4

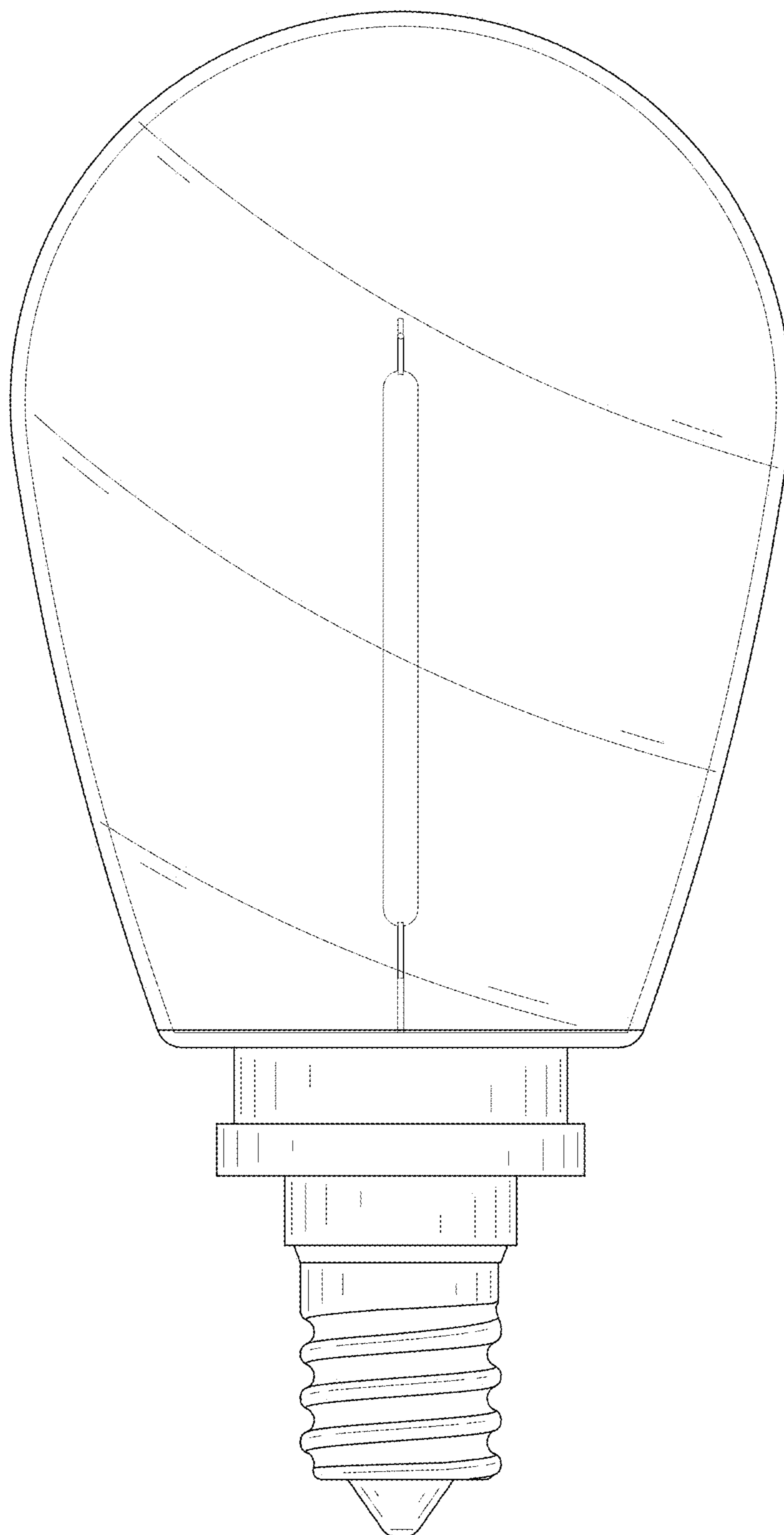


FIG. 5

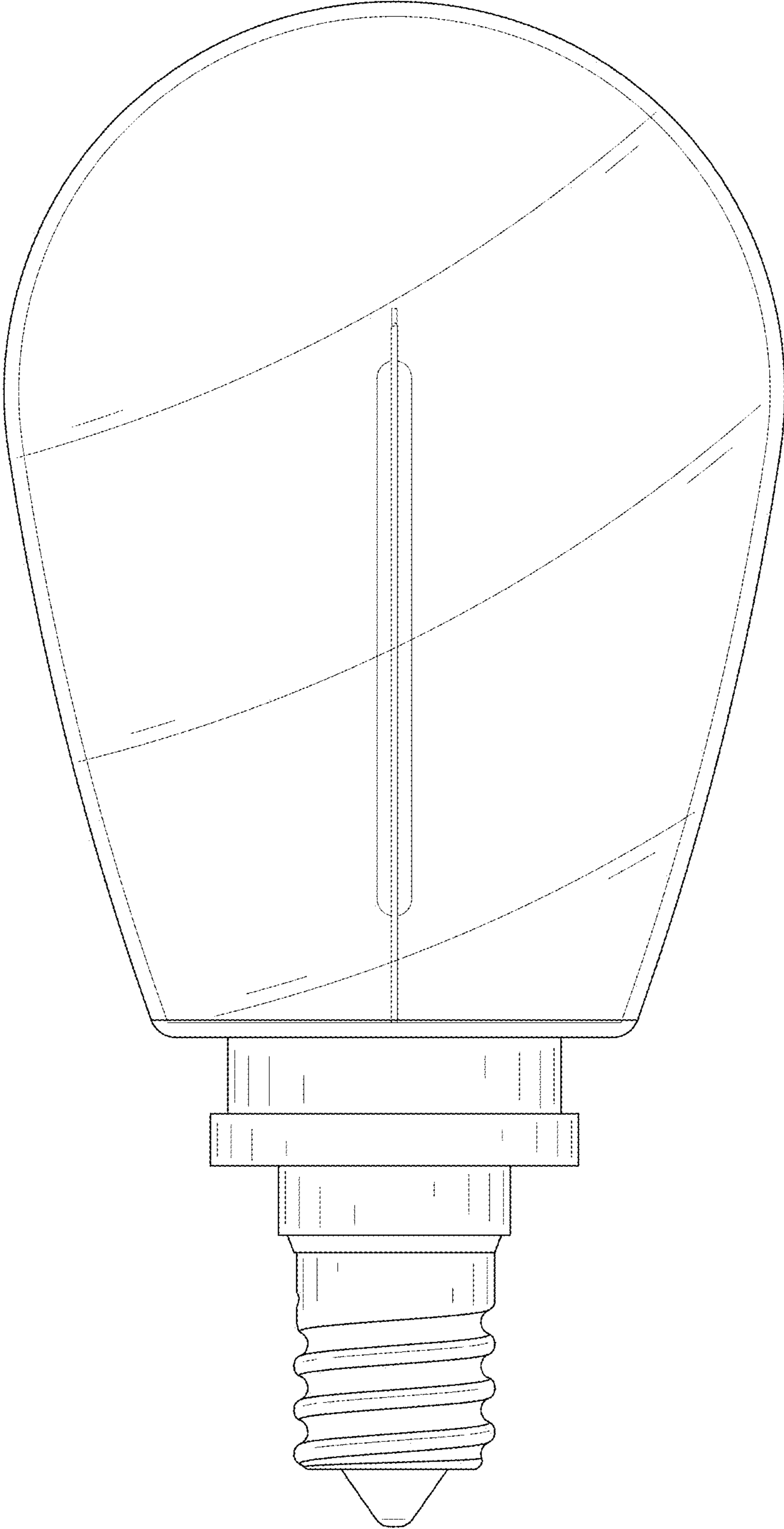


FIG. 6

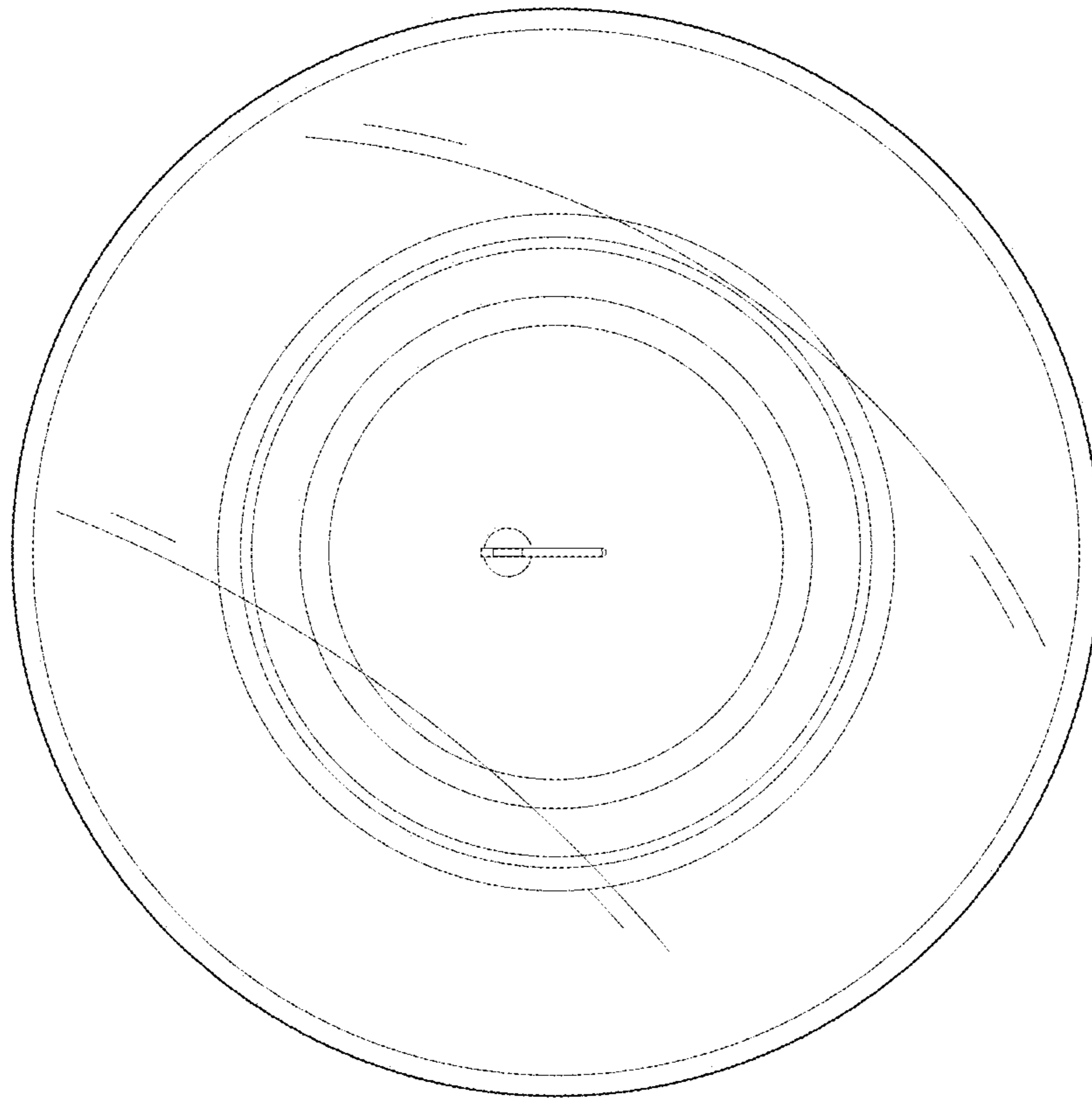


FIG. 7

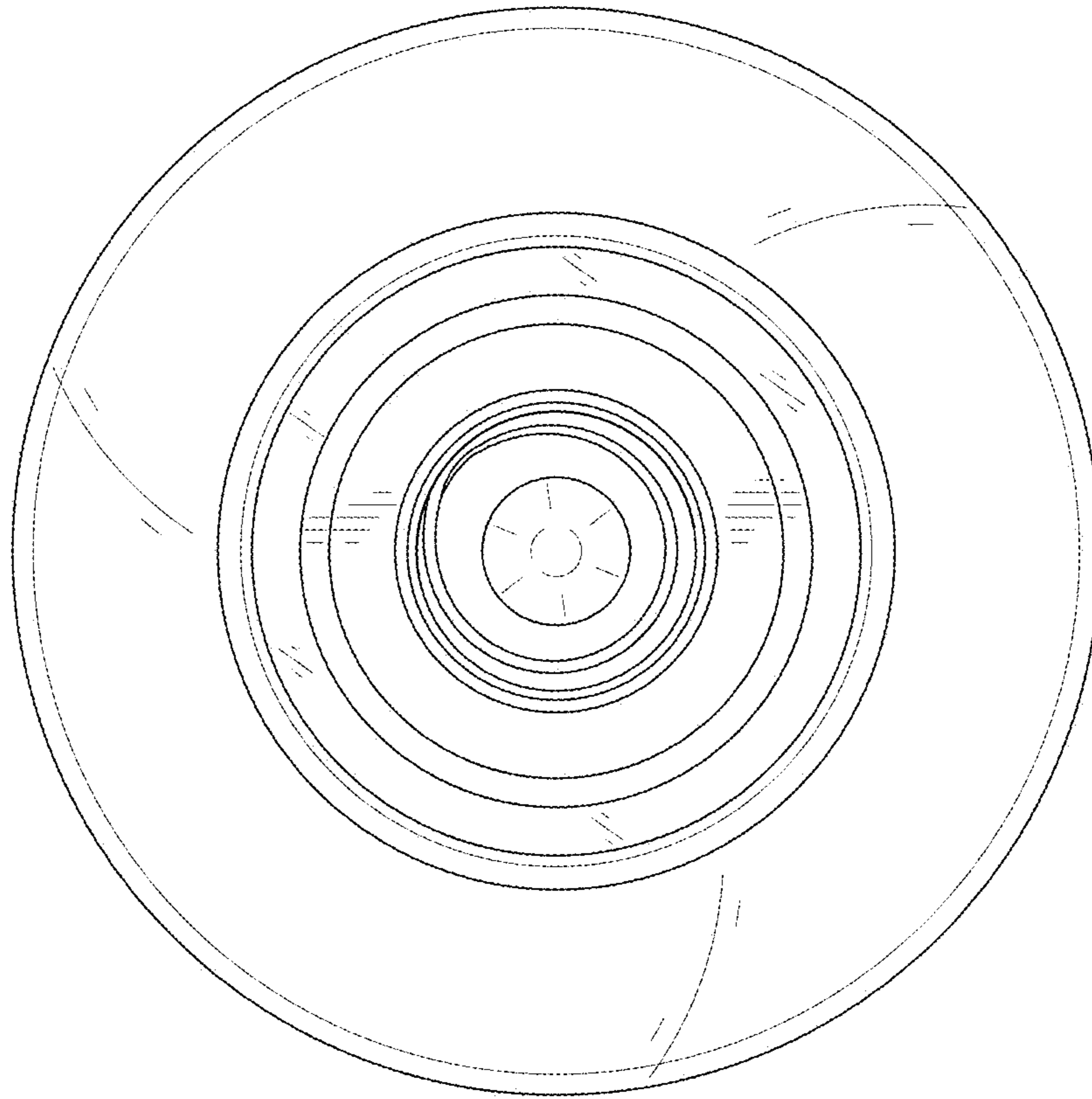


FIG. 8

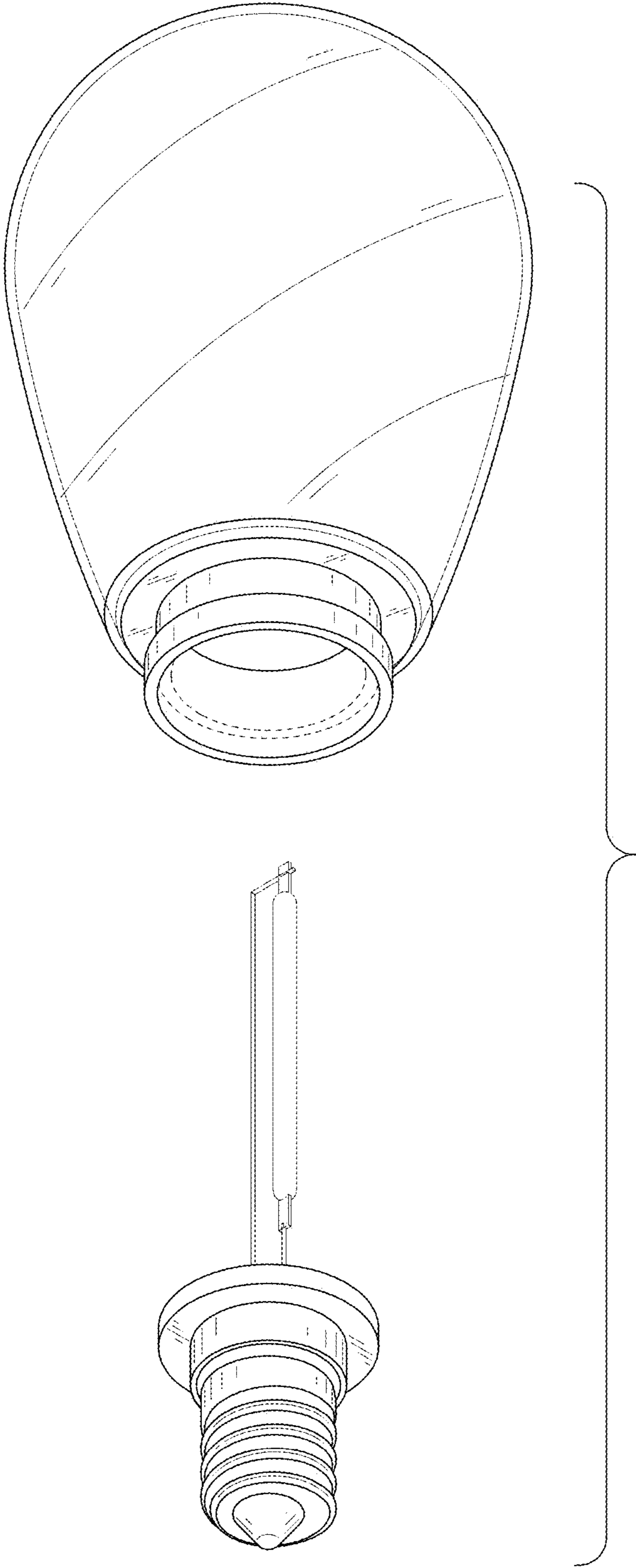


FIG. 9