



US00D986441S

(12) **United States Design Patent**  
**Hu**

(10) **Patent No.:** **US D986,441 S**  
(45) **Date of Patent:** **\*\* May 16, 2023**

(54) **SLIDER AND LADDER ASSEMBLY**

(71) Applicant: **Lanhui Hu, Ji'an (CN)**

(72) Inventor: **Lanhui Hu, Ji'an (CN)**

(\*\*) Term: **15 Years**

(21) Appl. No.: **29/884,983**

(22) Filed: **Feb. 17, 2023**

**Related U.S. Application Data**

(63) Continuation of application No. 29/831,724, filed on Mar. 22, 2022.

(51) **LOC (14) Cl.** ..... **25-04**

(52) **U.S. Cl.**  
USPC ..... **D25/64; D21/826**

(58) **Field of Classification Search**  
USPC ..... D21/826, 814, 811; D25/64, 63; 182/27, 182/152, 20, 35  
CPC ..... E06C 1/32; A63B 9/00  
See application file for complete search history.

(56) **References Cited**

**U.S. PATENT DOCUMENTS**

212,050	A *	2/1879	Phillips	.....	E06C 1/32 182/27
316,643	A *	4/1885	Niehaus	.....	E06C 1/16 182/27
579,437	A *	3/1897	Knisell	.....	E06C 1/39 182/27
737,080	A *	8/1903	Conner	.....	E06C 1/32 182/27
2,012,592	A *	8/1935	Skiba	.....	E06C 1/32 182/27
2,312,148	A *	2/1943	Cederquist	.....	E06C 1/005 182/27
3,008,711	A *	11/1961	Dillon	.....	A63B 9/00 D21/826
3,547,435	A *	12/1970	Scott	.....	A63B 9/00 482/37

3,572,698	A *	3/1971	Greenly	.....	A63B 9/00 482/36
3,897,055	A *	7/1975	Caldow	.....	A63B 9/00 482/36
4,365,799	A *	12/1982	O'Brian	.....	A63G 21/00 182/27
4,493,392	A *	1/1985	Alimbau Marques	....	E06C 1/56 182/27
4,519,476	A *	5/1985	Alimbau Marques	....	E06C 1/56 182/35

(Continued)

*Primary Examiner* — Cynthia R Underwood  
(74) *Attorney, Agent, or Firm* — Daniel M. Cohn;  
Howard M. Cohn

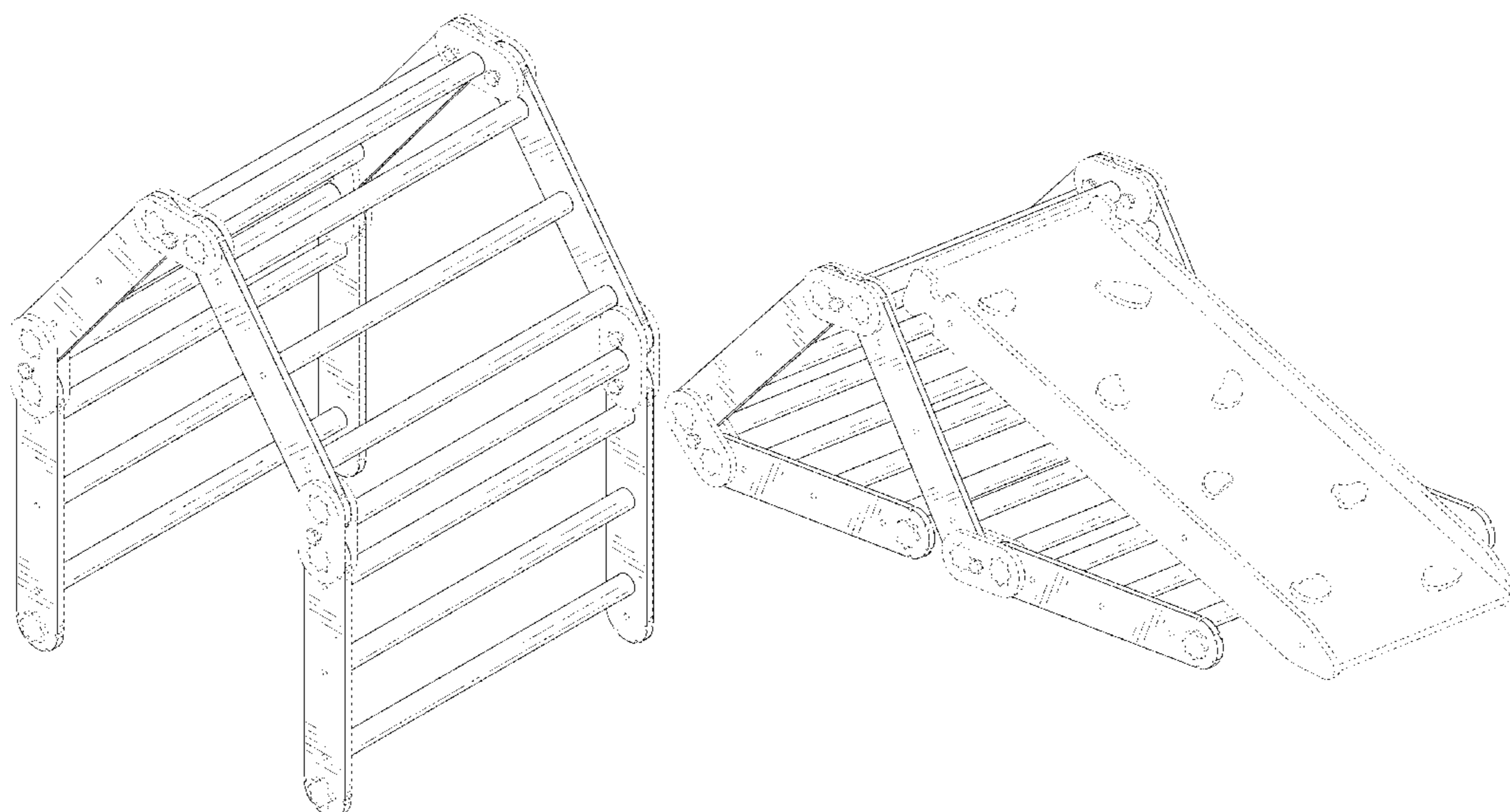
(57) **CLAIM**

The ornamental design for a slider and ladder assembly, as shown and described.

**DESCRIPTION**

FIG. 1 is a perspective view of a slider and ladder assembly showing my new design;  
FIG. 2 is another perspective view thereof;  
FIG. 3 is a front elevational view thereof;  
FIG. 4 is a rear elevational view thereof;  
FIG. 5 is a left side elevational view thereof;  
FIG. 6 is a right side elevational view thereof;  
FIG. 7 is a top plan view thereof;  
FIG. 8 is a bottom plan view thereof;  
FIG. 9 is the first use state diagram;  
FIG. 10 is the second use state diagram;  
FIG. 11 is the third use state diagram;  
FIG. 12 is the fourth use state diagram;  
FIG. 13 is the fifth use state diagram; and,  
FIG. 14 is the sixth use state diagram.  
The dash-dash broken lines in the drawings depict portions of the slider and ladder assembly that form no part of the claimed design.

**1 Claim, 14 Drawing Sheets**



(56)

**References Cited**

U.S. PATENT DOCUMENTS

4,630,819 A \* 12/1986 Levin ..... A63B 9/00  
 182/152  
 4,804,176 A \* 2/1989 Goble ..... A47B 83/02  
 472/106  
 5,086,872 A \* 2/1992 Lin ..... E06C 1/32  
 182/20  
 5,368,126 A \* 11/1994 Woodward ..... E04G 1/20  
 182/152  
 D410,271 S \* 5/1999 Manus ..... D21/826  
 D411,604 S \* 6/1999 Manus ..... D21/826  
 D478,144 S \* 8/2003 Fredriksson ..... D21/826  
 D483,089 S \* 12/2003 Johnson ..... D21/818  
 7,007,344 B2 \* 3/2006 Lee ..... E06C 1/32  
 403/68  
 8,381,873 B2 \* 2/2013 Cross ..... E06C 1/39  
 182/27  
 9,320,955 B2 \* 4/2016 Aral Diaz ..... E06C 1/32  
 D771,763 S 11/2016 Hamons et al.  
 D832,966 S \* 11/2018 Nelson ..... D21/818  
 D847,287 S 4/2019 Chen  
 D952,784 S \* 5/2022 Xiang ..... D21/826  
 D966,556 S \* 10/2022 Barker ..... D25/64  
 D973,822 S \* 12/2022 Klein ..... D21/826  
 11,548,595 B2 \* 1/2023 Schaub ..... B63B 27/146  
 2023/0062245 A1 \* 3/2023 Fletcher ..... B65D 90/20  
 2023/0067327 A1 \* 3/2023 Fletcher ..... B65D 90/48

\* cited by examiner

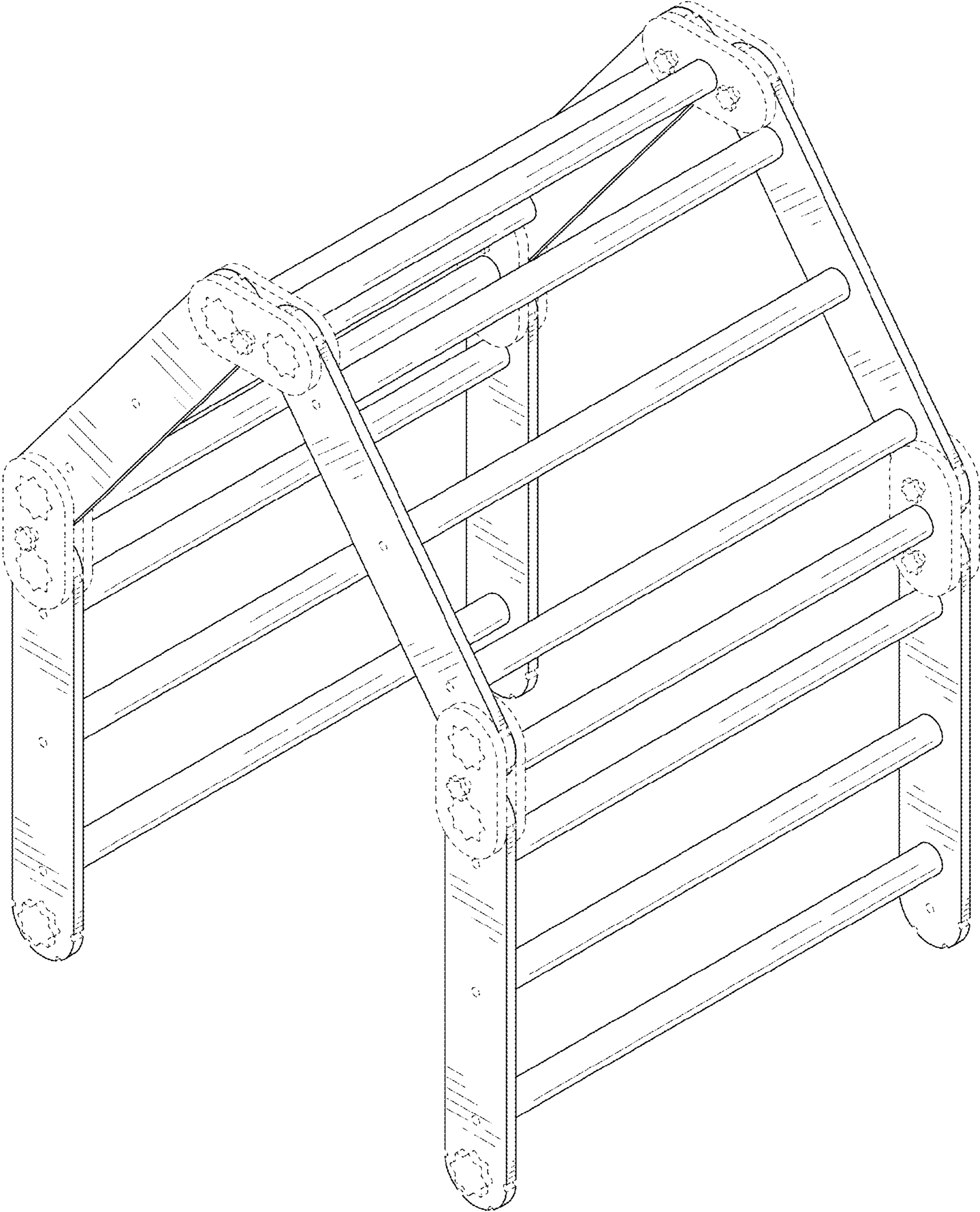


FIG. 1

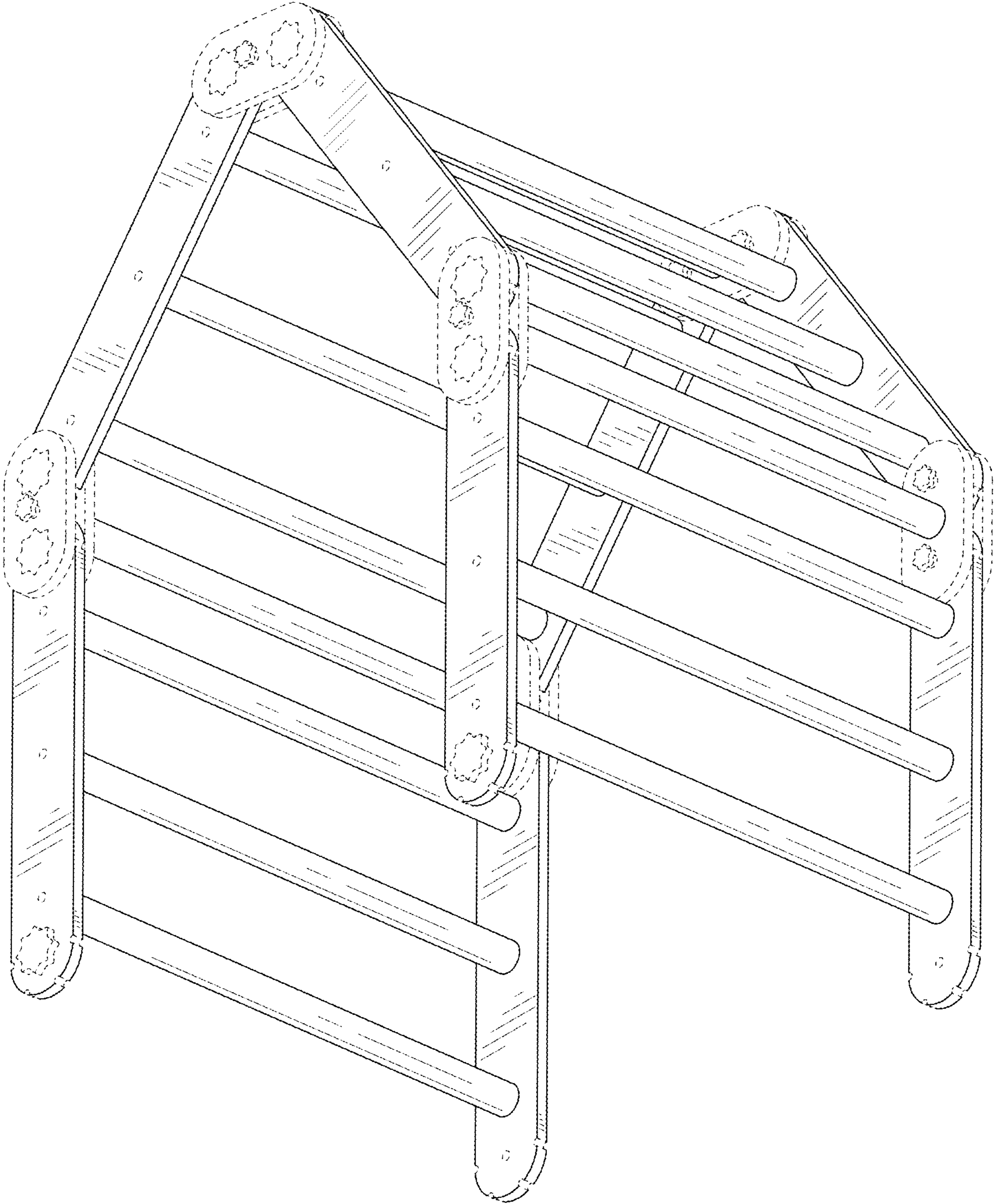


FIG. 2

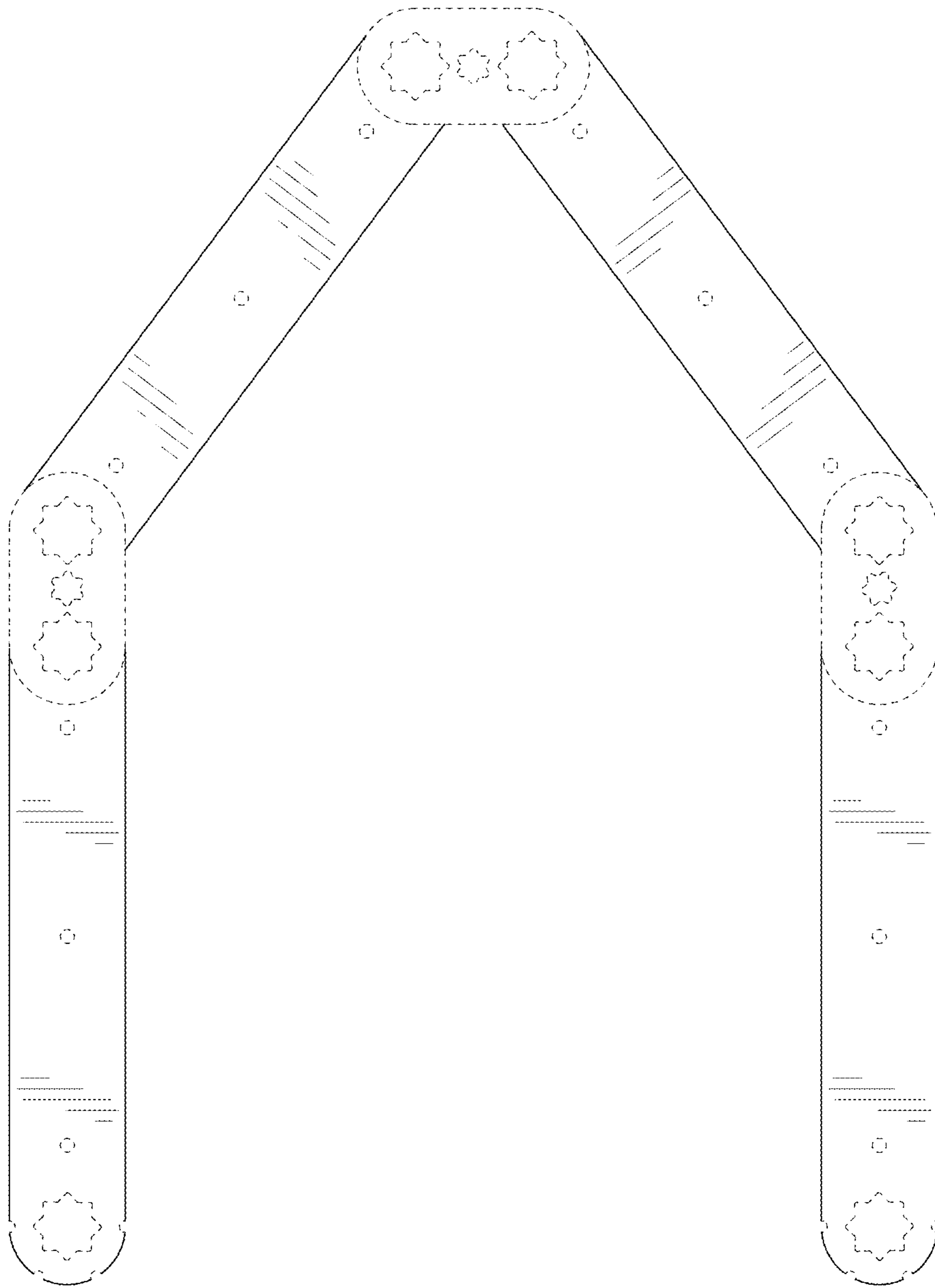


FIG. 3

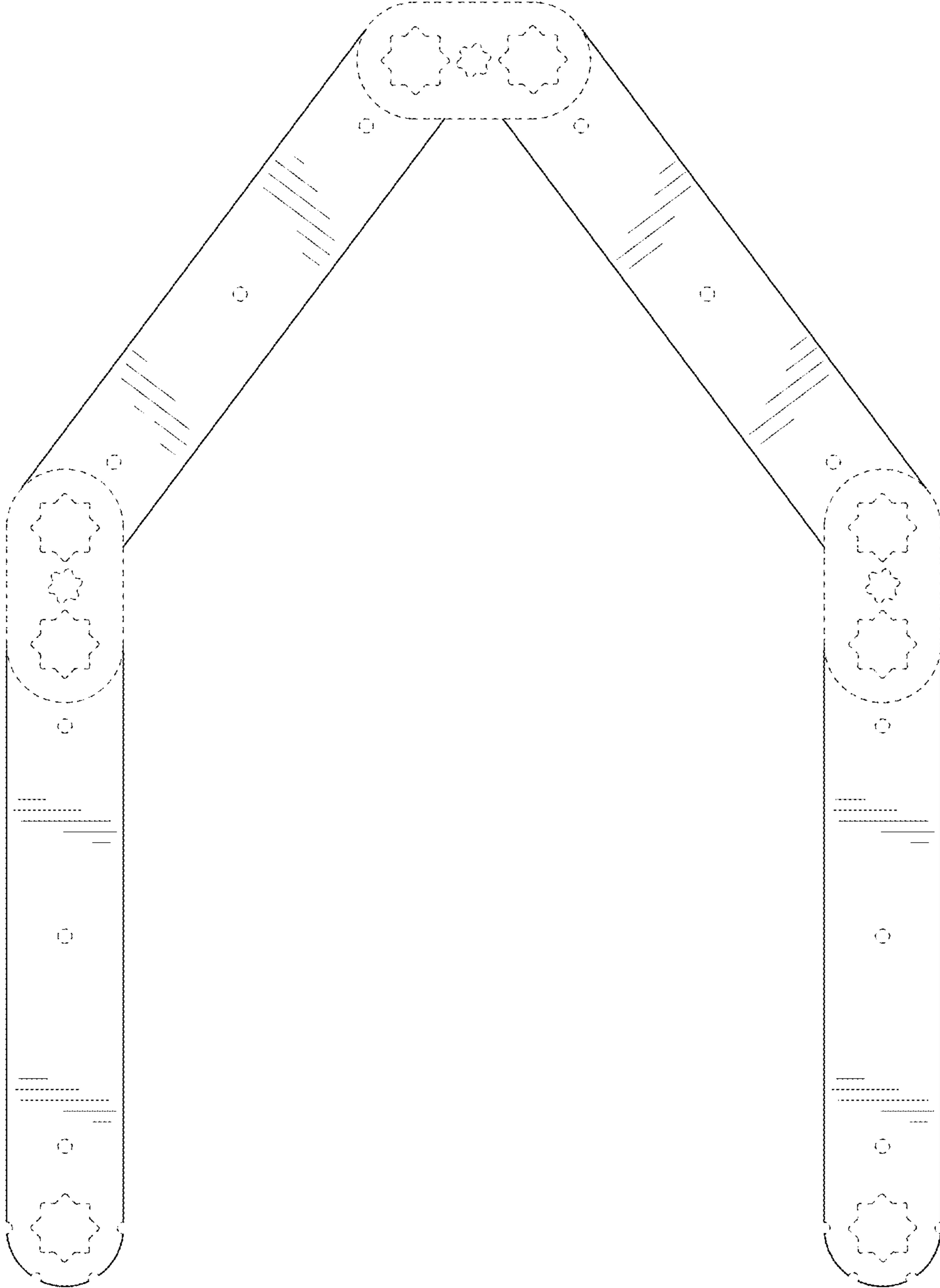


FIG. 4

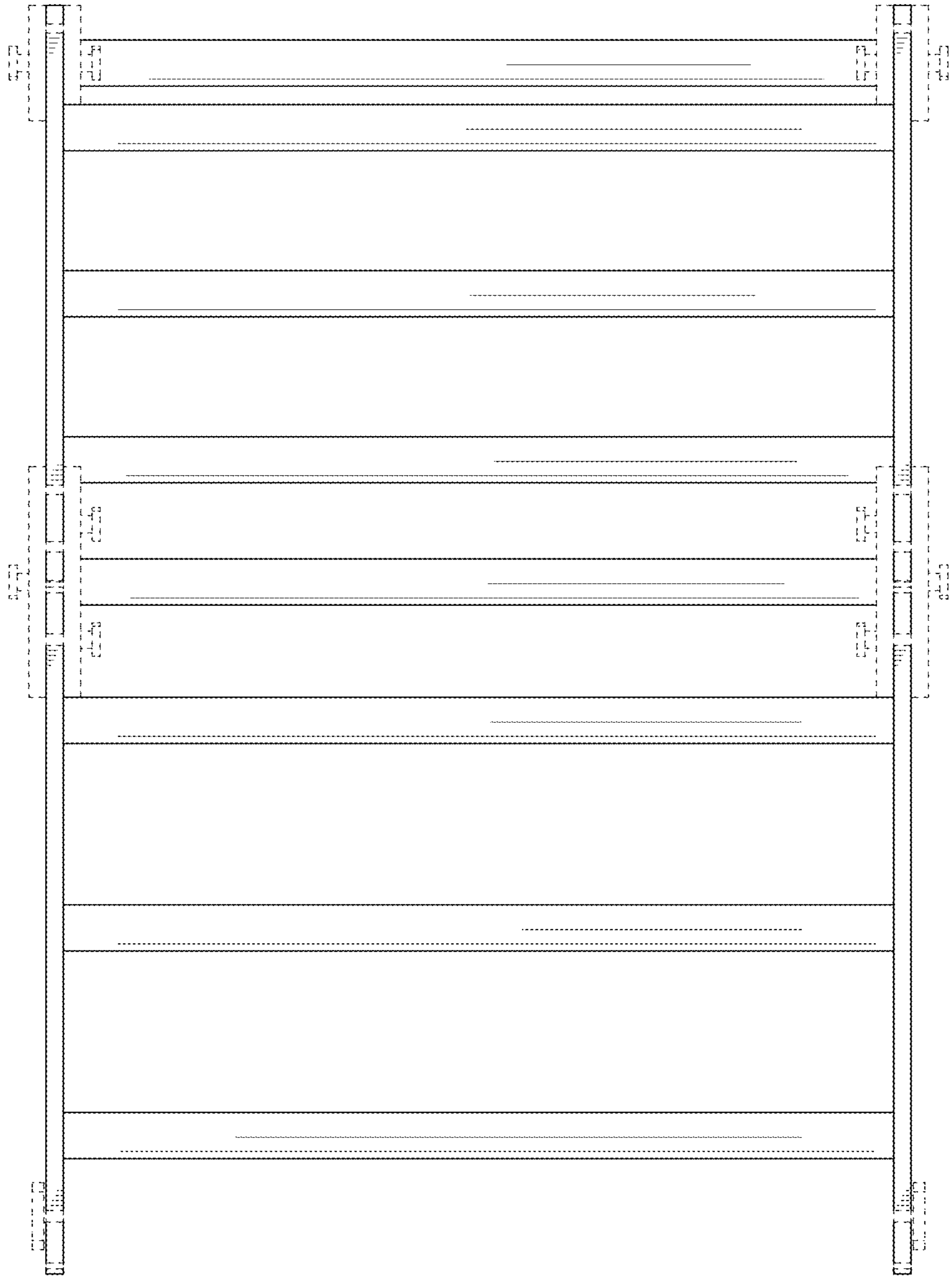


FIG. 5

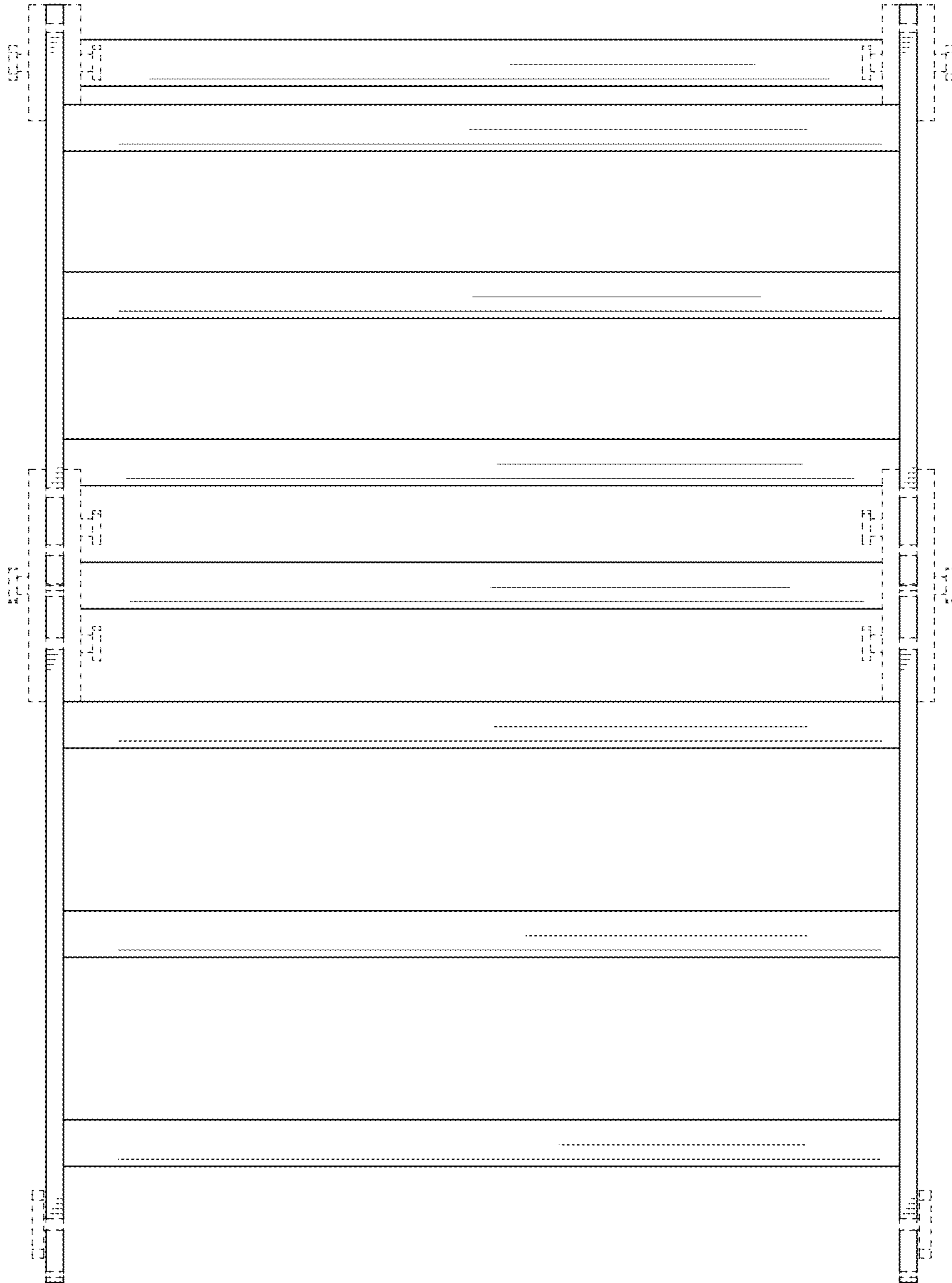


FIG. 6



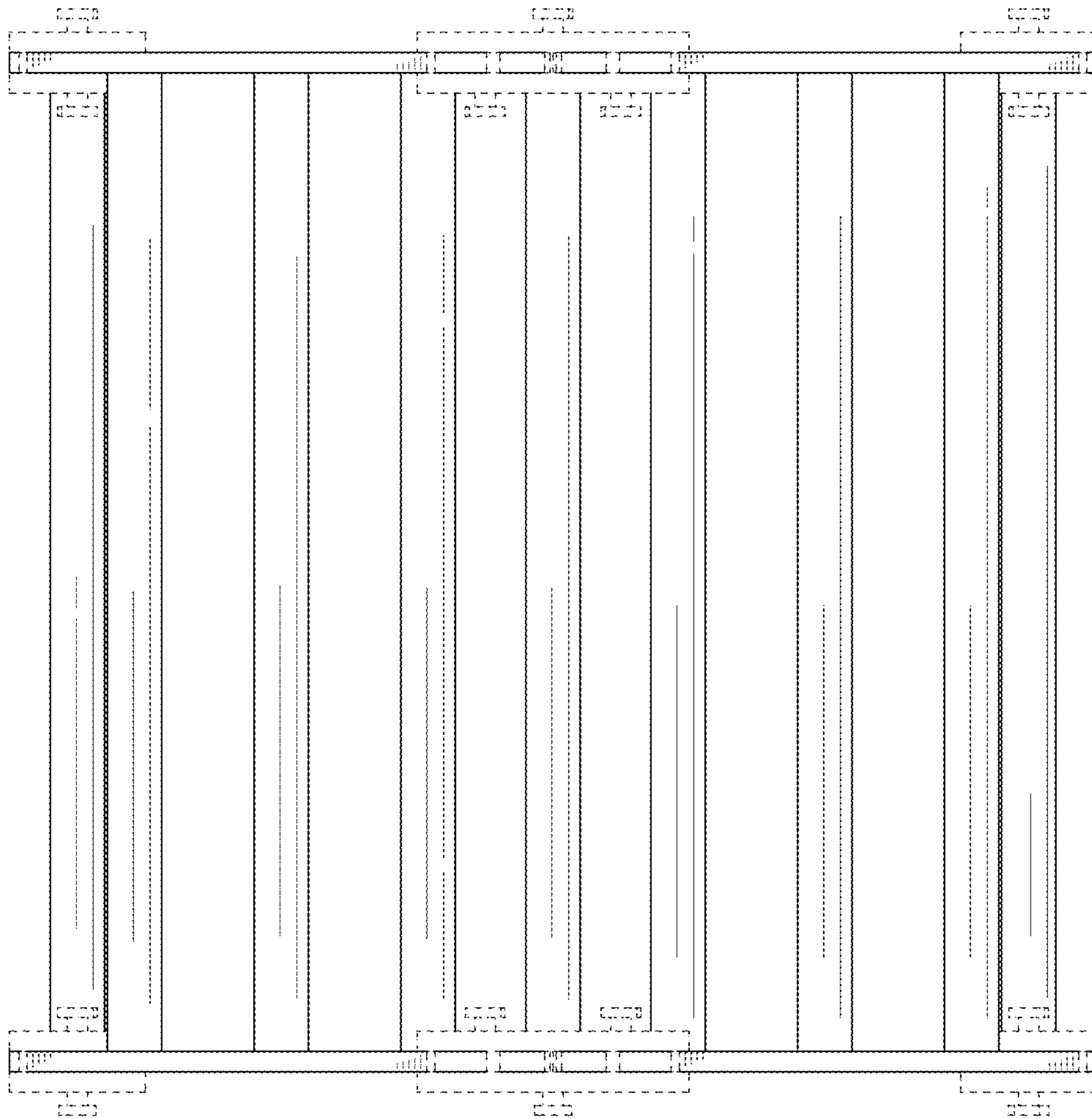


FIG. 7

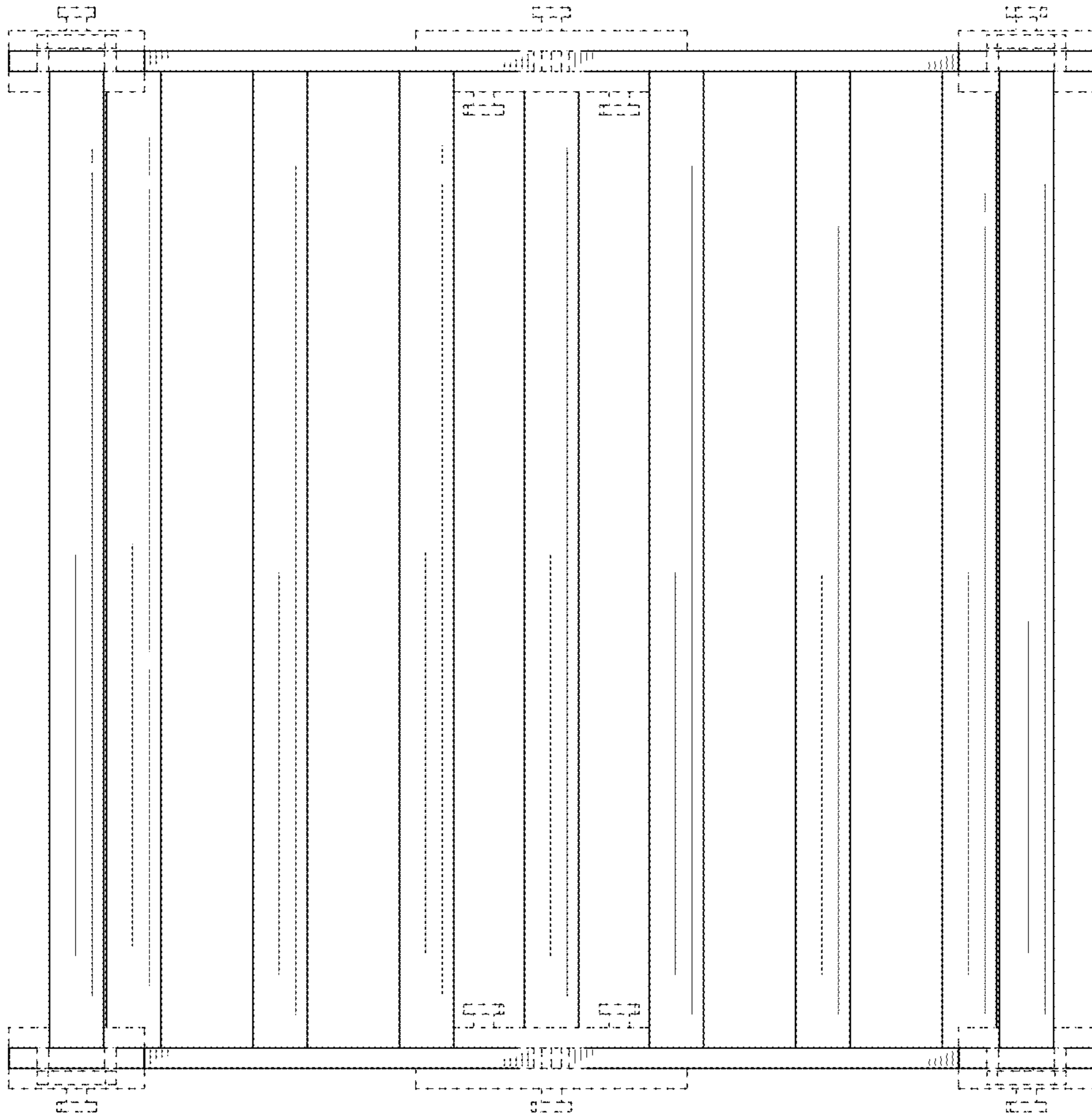


FIG. 8

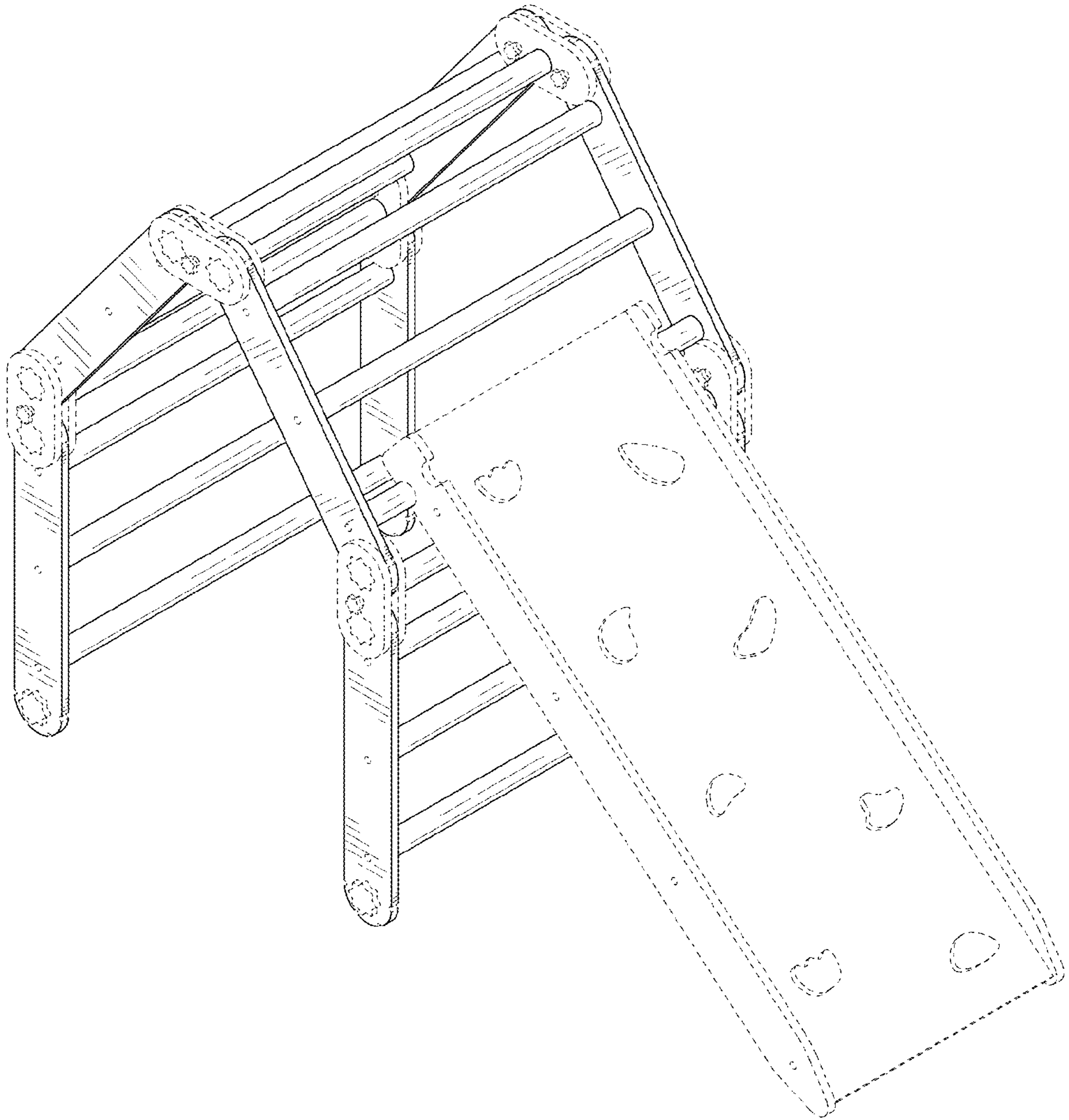


FIG. 9

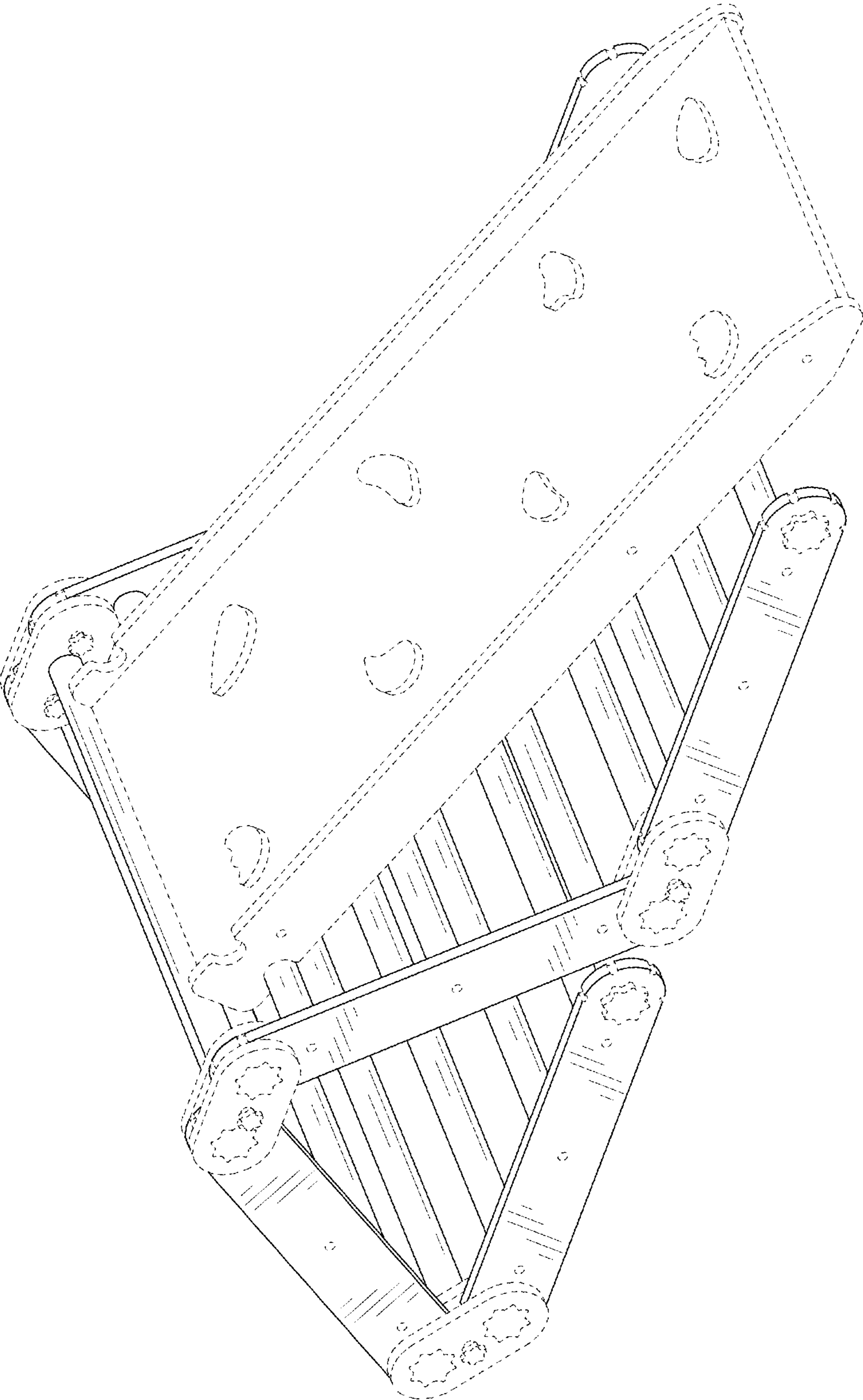


FIG. 10

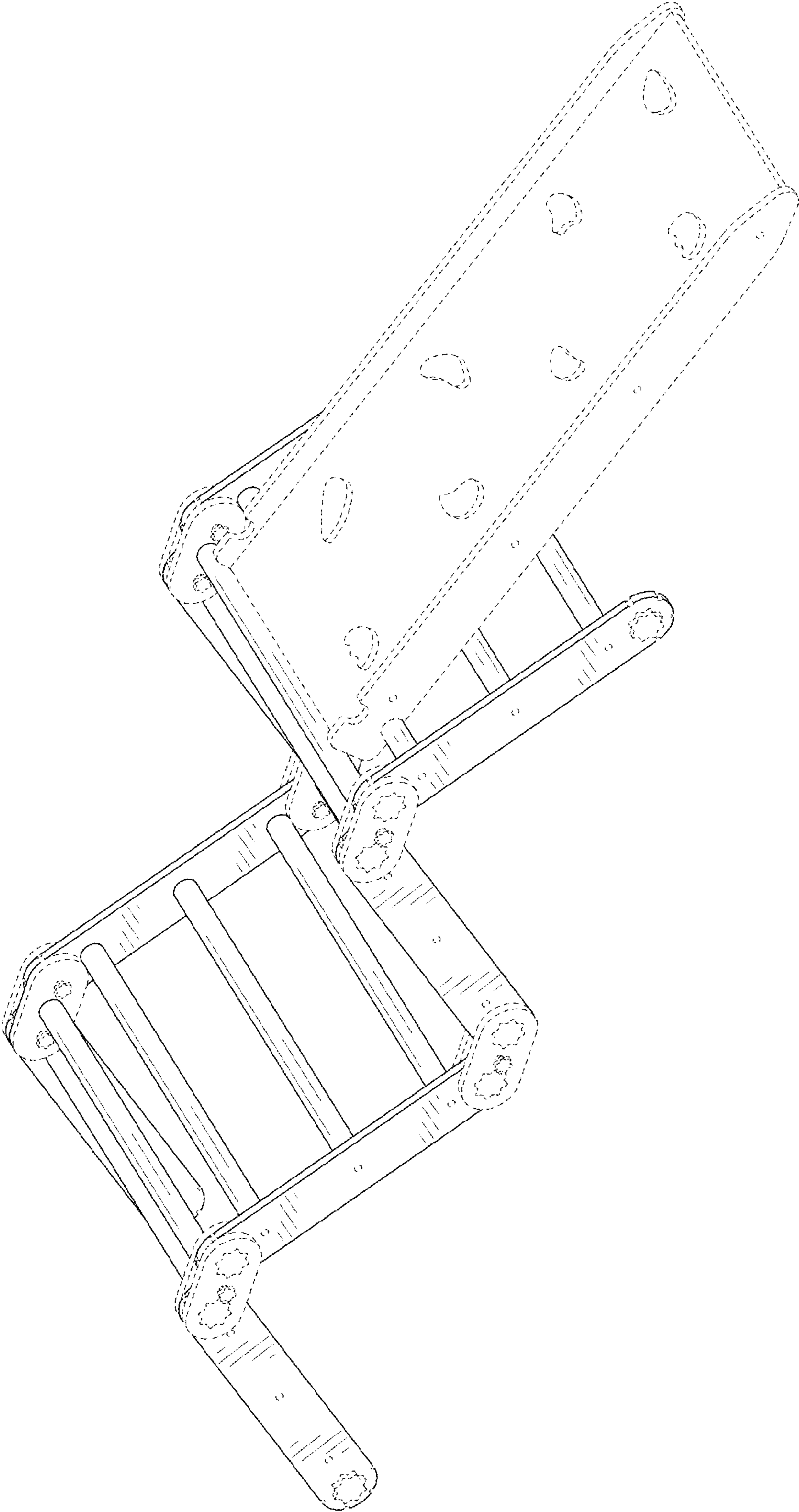


FIG. 11

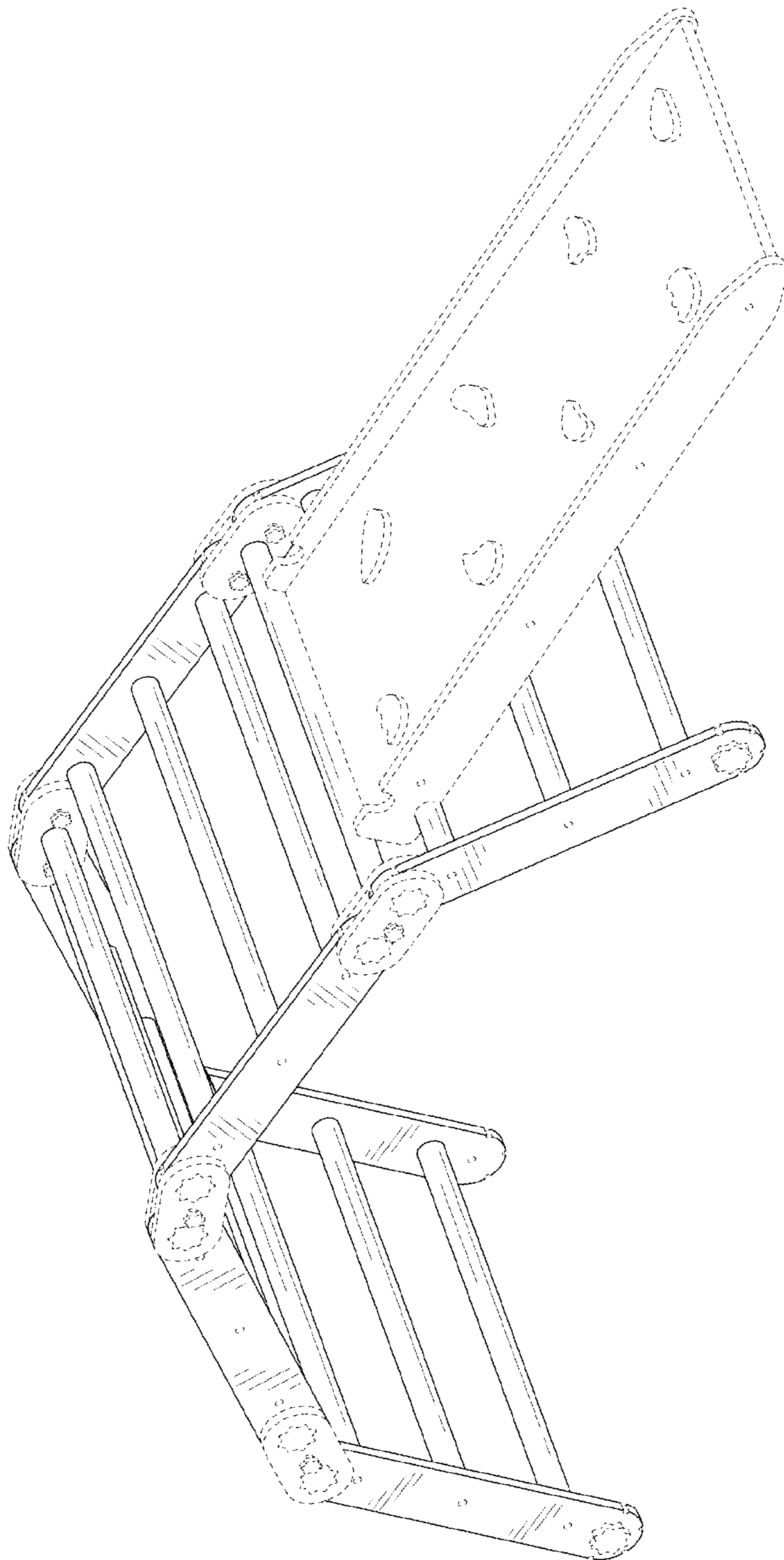


FIG. 12

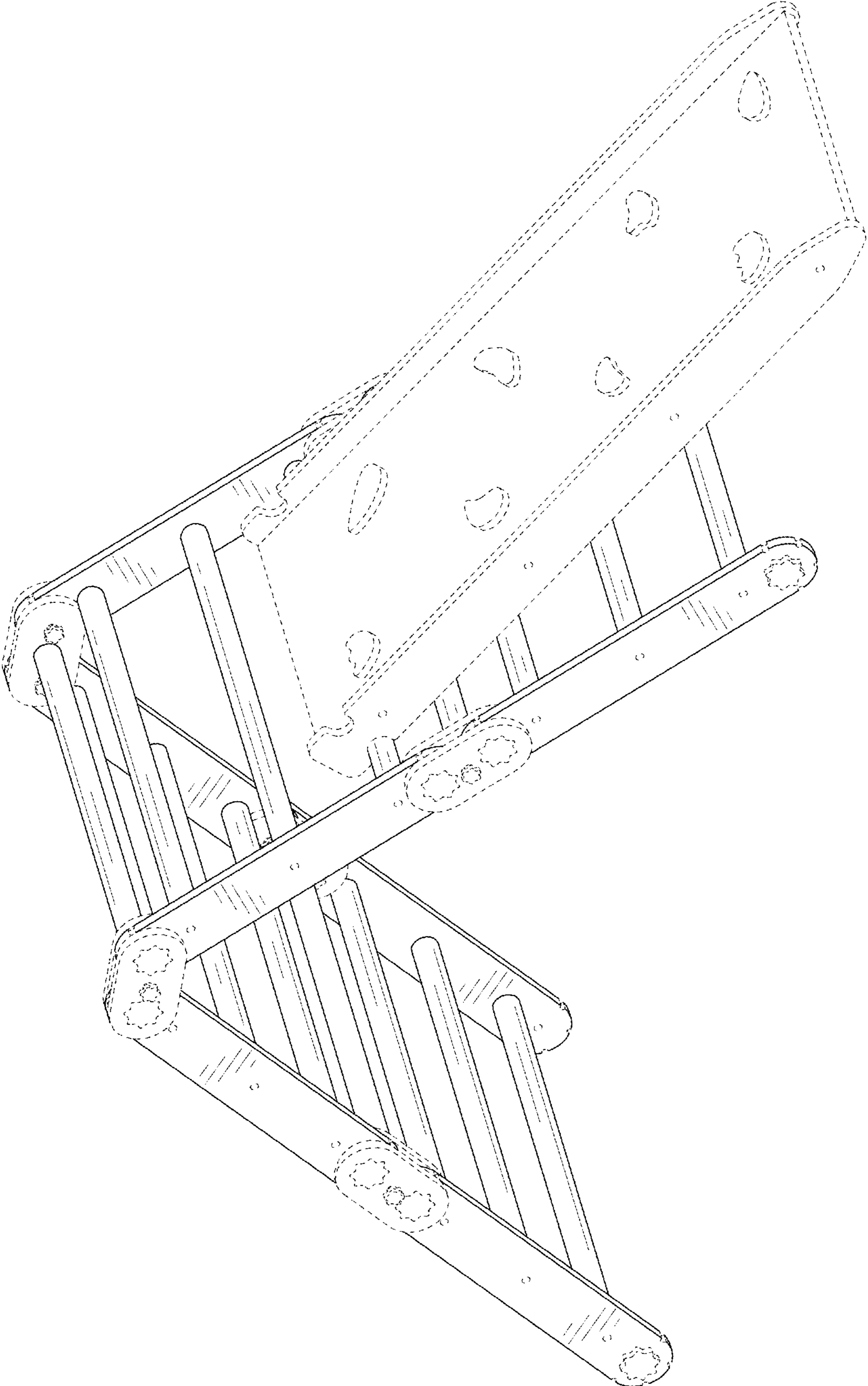


FIG. 13

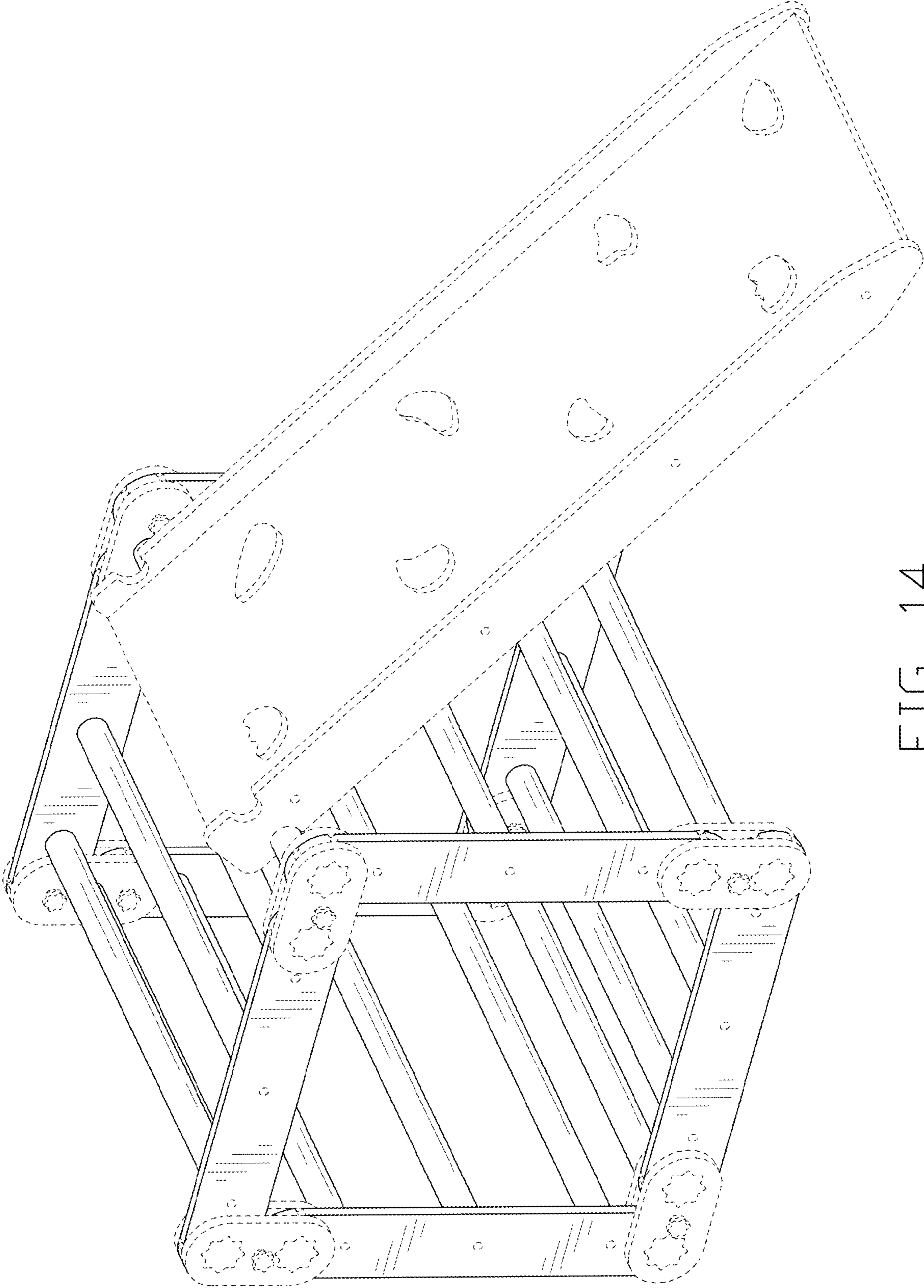


FIG. 14