



US00D986437S

(12) **United States Design Patent** (10) **Patent No.:** **US D986,437 S**
Albino et al. (45) **Date of Patent:** **** May 16, 2023**

(54) **EXTRUDED BASE PLATE FOR A SUPPORT TABLE**

D543,094 S * 5/2007 Remmers D8/377
D585,267 S * 1/2009 Di Vinadio D8/377
D611,743 S * 3/2010 Mitten D8/377
7,971,298 B2 * 7/2011 Kobuß A61B 6/0442
5/621
8,146,874 B2 * 4/2012 Yu A61G 7/0503
248/316.4

(71) Applicant: **INNOVATIVE MEDICAL PRODUCTS, INC.**, Plainville, CT (US)

(Continued)

(72) Inventors: **Scott A. Albino**, Southington, CT (US);
Tamas Kovacs, Burlington, CT (US)

FOREIGN PATENT DOCUMENTS

(73) Assignee: **INNOVATIVE MEDICAL PRODUCTS, INC.**, Plainville, CT (US)

JP D1724704 * 9/2022

OTHER PUBLICATIONS

(**) Term: **15 Years**

IFU-IMP-0003 Quad® Clamp. Feb. 3, 2021. Site visited Dec. 16, 2022. [<https://www.impmedical.com/surgical-positioning/knee-positioner/De-Mayo-Adapt2Fit-surgical-knee-positioning-leg-holder>] (Year: 2021).*

(21) Appl. No.: **29/799,689**

(Continued)

(22) Filed: **Jul. 15, 2021**

(51) **LOC (14) Cl.** **24-99**

(52) **U.S. Cl.**
USPC **D24/231**; D24/183; D24/184

(58) **Field of Classification Search**
USPC D24/127, 128, 171, 172, 183, 184, 227,
D24/231, 234; D8/20, 377
CPC A61B 6/0407; A61B 5/704; A61B 90/50;
A61B 2090/571; A61B 2034/2055

See application file for complete search history.

Primary Examiner — Wendy L Arminio
Assistant Examiner — Maheen Khurshid
(74) *Attorney, Agent, or Firm* — Nicholas E. Blanton;
Damian Wasserbauer, Esq.; Wasserbauer Law LLC

(57) **CLAIM**

The ornamental design for an extruded base plate for a support table, as shown and described.

(56) **References Cited**

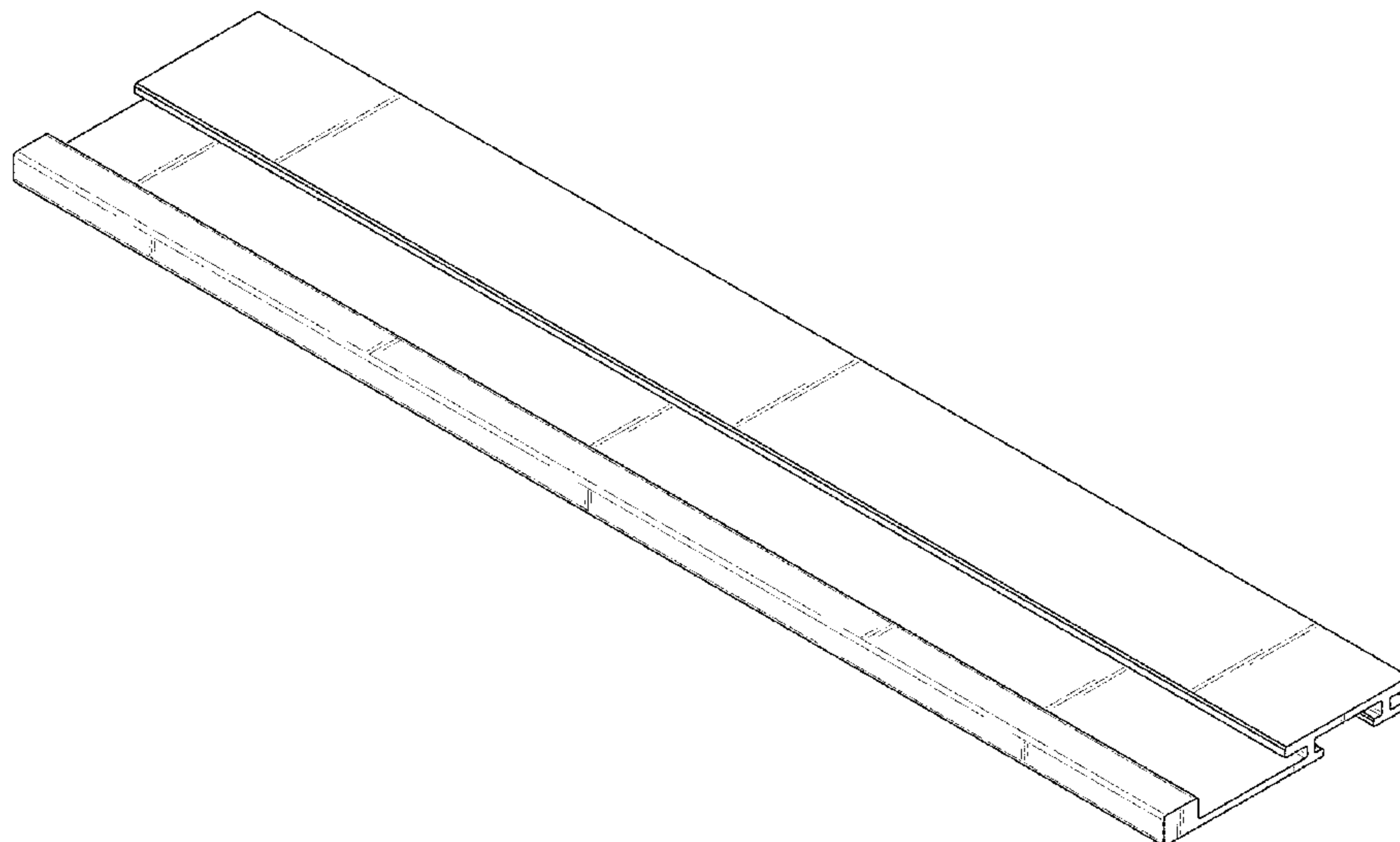
U.S. PATENT DOCUMENTS

2,829,640 A * 4/1958 Moorman A61G 13/12
378/208
D240,707 S * 7/1976 Rudinski D8/377
D252,668 S * 8/1979 Rudinski D25/119
4,232,681 A 11/1980 Tulaszewski
4,653,482 A * 3/1987 Kurland A61G 13/12
5/601
5,826,286 A * 10/1998 Cranston A61G 13/04
5/942
6,058,534 A 5/2000 Navarro et al.
D439,670 S * 3/2001 Sommer D24/183
D502,090 S * 2/2005 Castellanos D8/377

DESCRIPTION

FIG. 1 is a front, top, right side perspective view of the extruded base plate for a support table in accordance with the present invention;
FIG. 2 is a front view thereof;
FIG. 3 is a rear view thereof;
FIG. 4 is a top view thereof;
FIG. 5 is a bottom view thereof; and,
FIG. 6 is a right side view thereof, wherein the left side view is a mirror image thereof.

1 Claim, 6 Drawing Sheets



(56)

References Cited

U.S. PATENT DOCUMENTS

D731,068 S * 6/2015 Moon D24/183
 D755,041 S * 5/2016 Weldon D8/377
 9,603,765 B2 3/2017 Kreuzer et al.
 9,615,987 B2 4/2017 Worm et al.
 9,642,762 B2 * 5/2017 Frueh A61G 7/08
 D791,348 S * 7/2017 Singh D25/119
 D791,354 S * 7/2017 Singh D25/119
 D813,636 S * 3/2018 Hsieh D8/71
 D834,928 S * 12/2018 Lu D8/381
 D838,857 S * 1/2019 Blackwell D24/184
 D844,807 S * 4/2019 Blackwell D24/231
 D872,884 S * 1/2020 Carter D25/119
 D909,179 S * 2/2021 Kovacs D8/349
 10,912,697 B2 * 2/2021 Staudinger A61G 13/02
 D920,769 S * 6/2021 Kovacs D25/164
 11,083,420 B2 * 8/2021 Suga A61B 6/0407
 D948,998 S * 4/2022 Noe D25/119
 2016/0151223 A1 * 6/2016 Ferro A61G 13/129
 128/845

OTHER PUBLICATIONS

SchureMed TKR Positioner. 2009. Site visited Dec. 16, 2022. [https://www.universalmedicalinc.com/tkr-positioner-for-total-knee-replacement.html?campaignid=1821462889&adgroupid=70633908718&adid=345215573729&gclid=EA1a1QobChM1rZDKIqH--w1VGpflCh3EygSNEAAYASABEgK2bPD_BwE] (Year: 2009).*
 TKR Positioner. Apr. 7, 2021. Site visited Dec. 16, 2022. [https://www.youtube.com/watch?v=_ZduRUDweUA] (Year: 2021).*

* cited by examiner

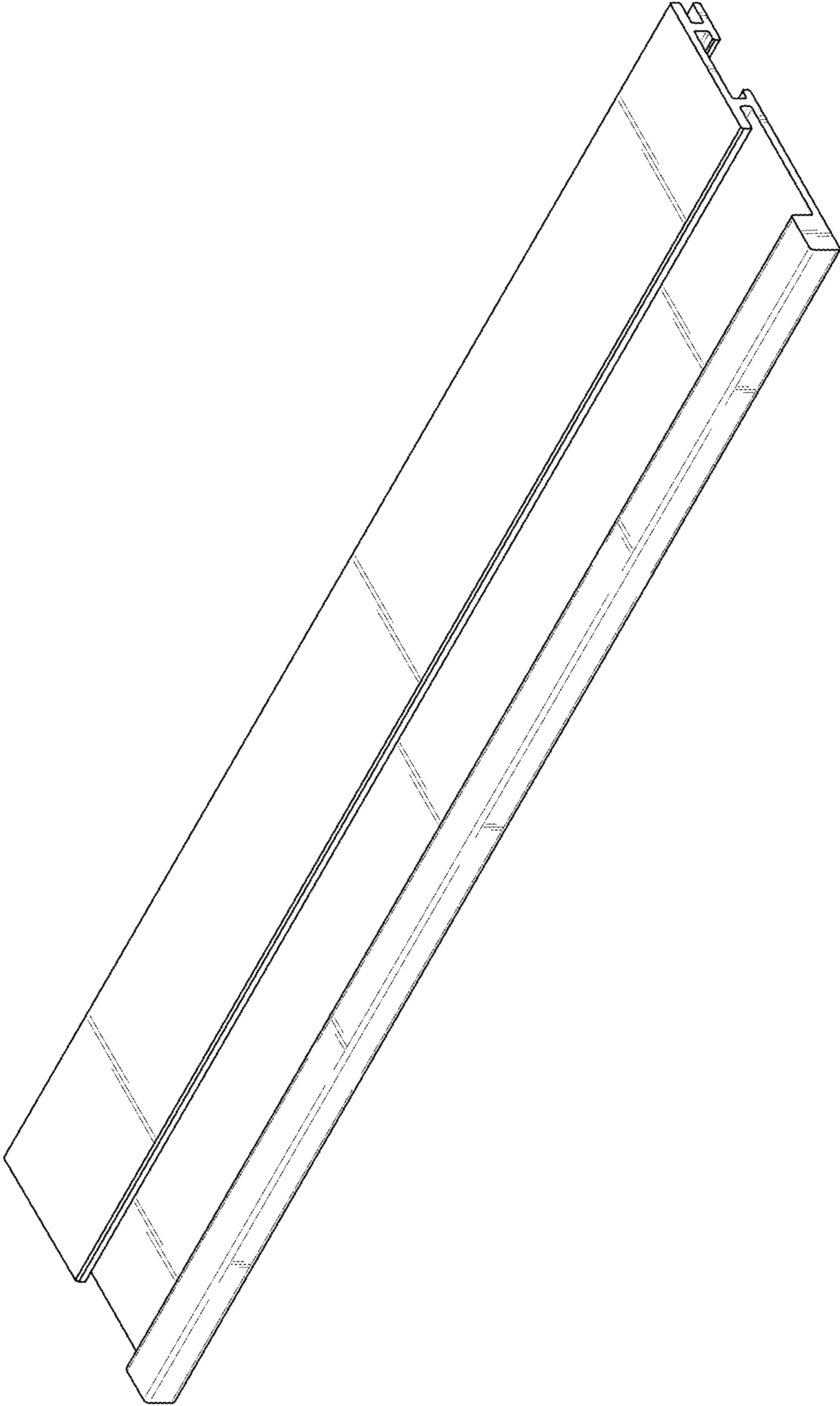


FIG. 1



FIG. 2



FIG. 3

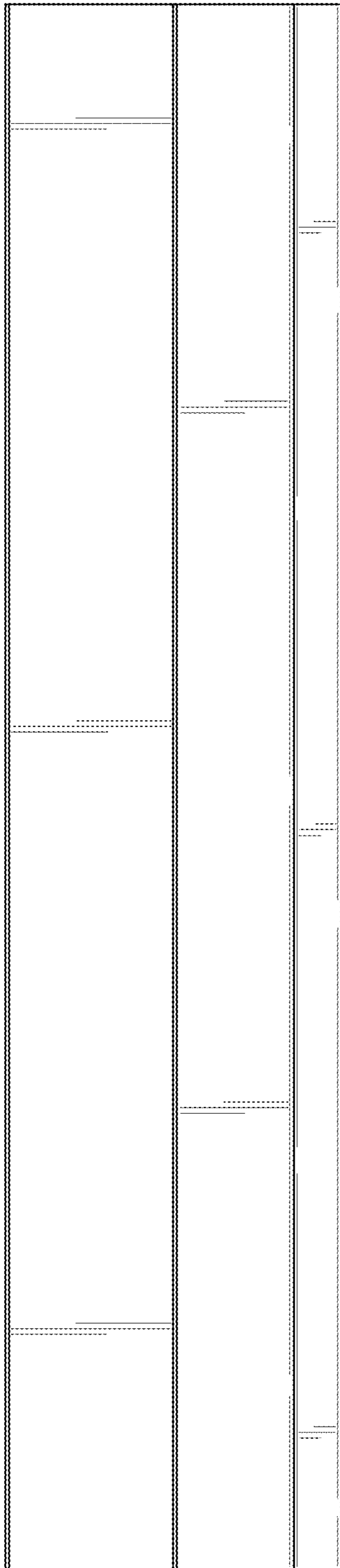


FIG. 4

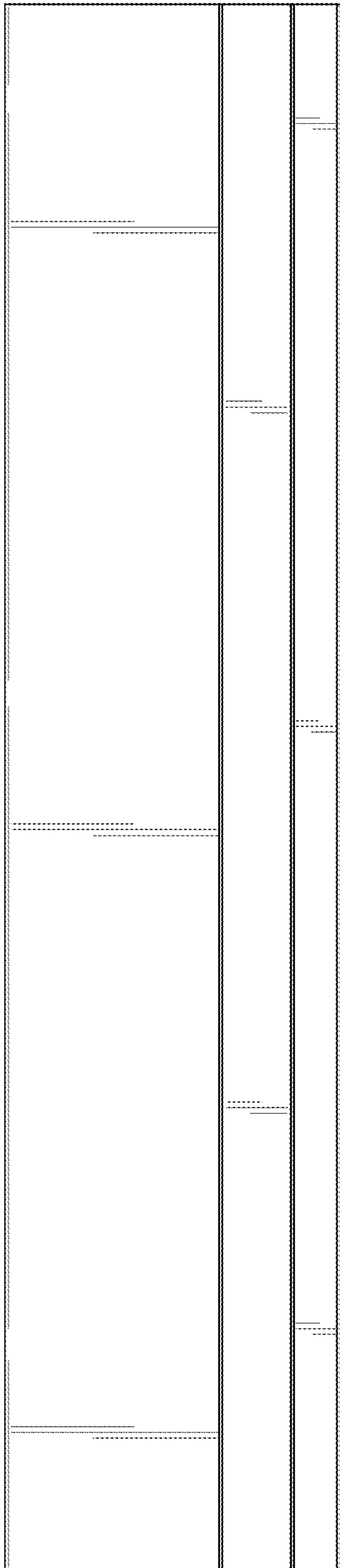


FIG. 5



FIG. 6