



US00D986436S

(12) **United States Design Patent** (10) **Patent No.:** **US D986,436 S**
Harvey et al. (45) **Date of Patent:** **** May 16, 2023**

(54) **CONTAINER ASSEMBLY**

(71) Applicant: **Roche Diabetes Care, Inc.**,
Indianapolis, IN (US)

(72) Inventors: **Ernest Graeme Harvey**, Avon, IN
(US); **Michel Cadio**, Indianapolis, IN
(US)

(73) Assignee: **Roche Diabetes Care, Inc.**,
Indianapolis, IN (US)

(**) Term: **15 Years**

(21) Appl. No.: **29/733,630**

(22) Filed: **May 5, 2020**

(51) **LOC (14) Cl.** **24-02**

(52) **U.S. Cl.**
USPC **D24/227; D24/224**

(58) **Field of Classification Search**
USPC **D24/107, 169, 186, 216, 223-230;**
D9/345, 434, 455, 752, 753; D3/309,
D3/316

(Continued)

(56) **References Cited**

U.S. PATENT DOCUMENTS

D311,876 S * 11/1990 Kiegami D24/224
D411,014 S * 6/1999 Berger D24/223

(Continued)

OTHER PUBLICATIONS

Accu-Chek Guide—Changing the batteries. Online, published date
Sep. 13, 2016. Retrieved on Feb. 23, 2022 from URL: <https://www.youtube.com/watch?v=e-oST6kCIDI>.*

(Continued)

Primary Examiner — Omeed Agilee

(74) *Attorney, Agent, or Firm* — Banner & Witcoff, Ltd.

(57) **CLAIM**

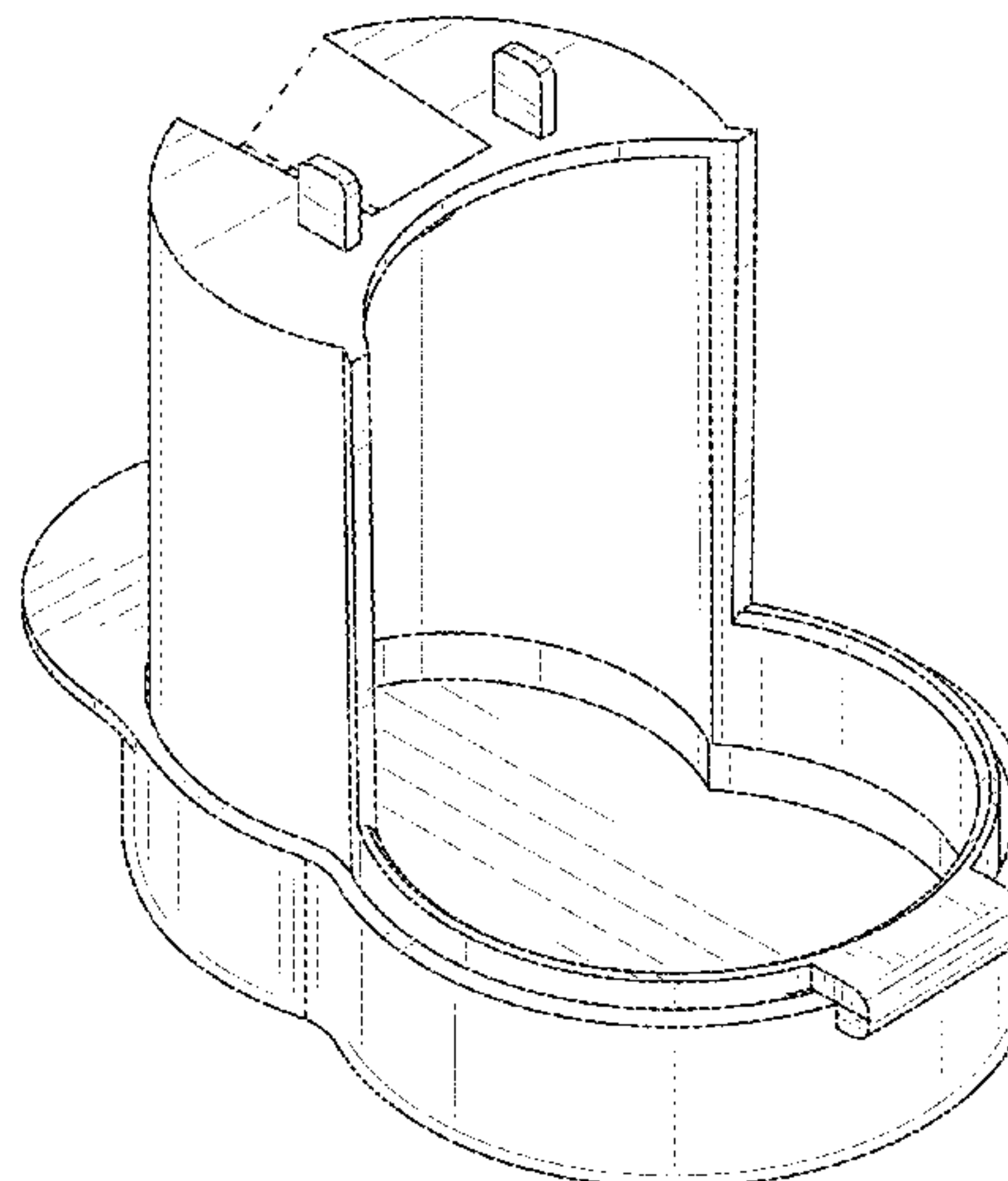
The ornamental design for a container assembly, as shown
and described.

DESCRIPTION

FIG. 1 is a top perspective view of a container assembly
showing our new design;
FIG. 2 is a front view thereof;
FIG. 3 is a rear view thereof;
FIG. 4 is a right side view thereof;
FIG. 5 is left side view thereof;
FIG. 6 is a top view thereof;
FIG. 7 is a bottom view thereof;
FIG. 8 is a top perspective view of the container assembly
of FIGS. 1-7 in an open configuration;
FIG. 9 is a front view thereof;
FIG. 10 is a rear view of thereof;
FIG. 11 is a right side view thereof;
FIG. 12 is a right side view thereof;
FIG. 13 is a top view thereof;
FIG. 14 is a bottom view thereof;
FIG. 15 is a top perspective view of the container assembly
in a state of use;
FIG. 16 is a front view thereof;
FIG. 17 is a rear view thereof;
FIG. 18 is a right side view thereof;
FIG. 19 is a left side view thereof;
FIG. 20 is a top view thereof;
FIG. 21 is a bottom view thereof;
FIG. 22 is a top perspective view of the container assembly
shown in FIG. 15-21 in an open configuration;
FIG. 23 is a front view thereof;
FIG. 24 is a rear view thereof;
FIG. 25 is a right side view thereof;
FIG. 26 is a left side view thereof;
FIG. 27 is a top view thereof; and,
FIG. 28 is a bottom view thereof.

The even length broken lines depict portions of the container
assembly that form no part of the claimed design. The
uneven length broken lines depict environmental subject
matter and form no part of the claimed design.

1 Claim, 28 Drawing Sheets



(58) **Field of Classification Search**

CPC .. G01N 21/0303; B01L 3/508; A61M 5/3202;
A61J 1/16; A61J 1/1412; A61B 10/0096

See application file for complete search history.

(56) **References Cited**

U.S. PATENT DOCUMENTS

D519,209 S *	4/2006	Bublewitz	D24/176
D618,819 S *	6/2010	Wilkinson	D24/226
D742,014 S *	10/2015	Yabe	D24/172
D910,169 S *	2/2021	Rehm	D24/122
D935,638 S *	11/2021	Jones	D9/741
D936,217 S *	11/2021	Zumbrum	D24/129
2014/0021076 A1 *	1/2014	Soma	A61J 1/2089 206/219
2021/0172923 A1 *	6/2021	Kaufman	G01N 33/1813

OTHER PUBLICATIONS

Bottle holder for Dosinos. Online, published date unknown. Retrieved on Feb. 23, 2022 from URL: <https://www.metrohm.com/en-ae/products-overview/62061010>.*

* cited by examiner

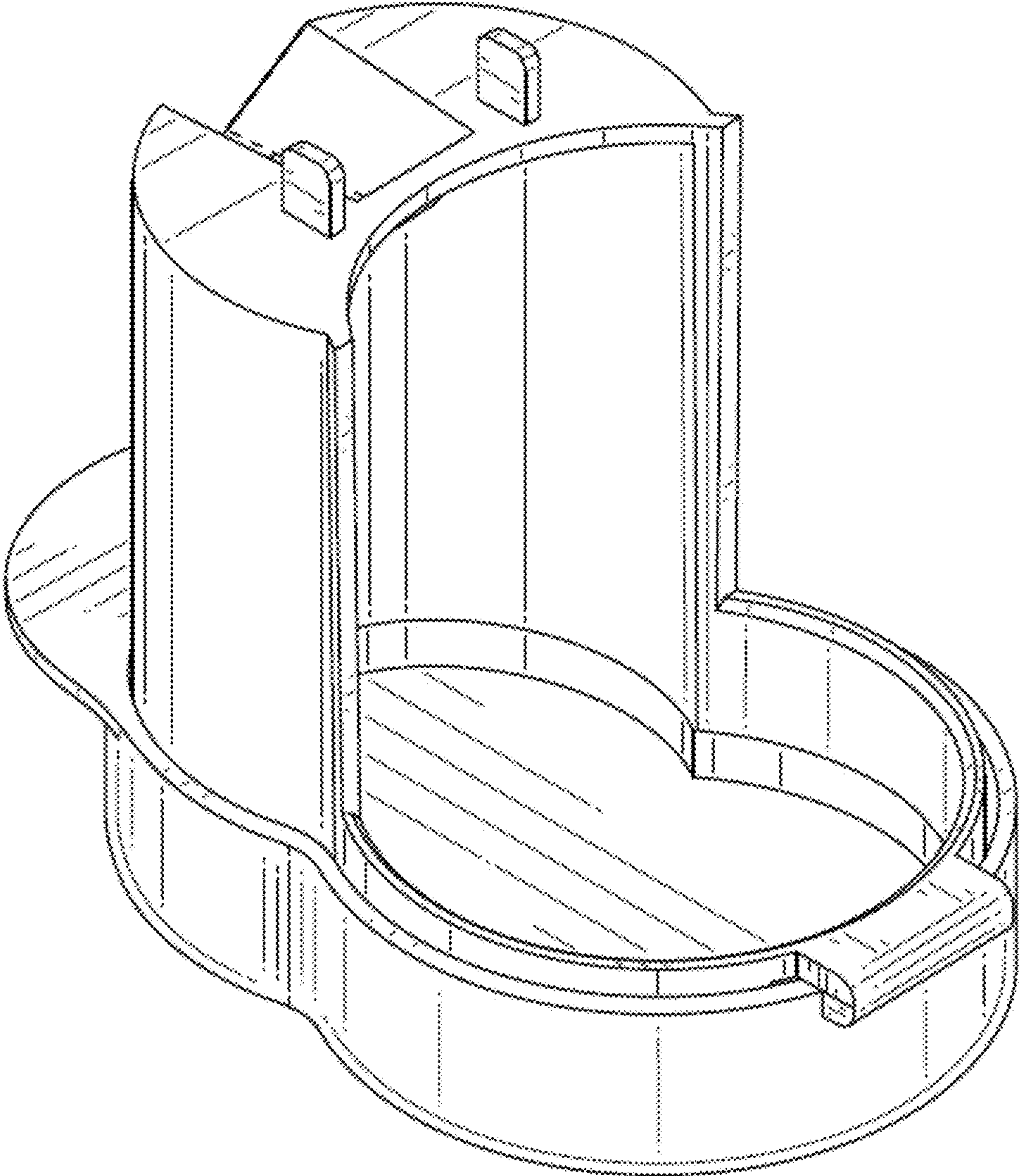


FIG. 1

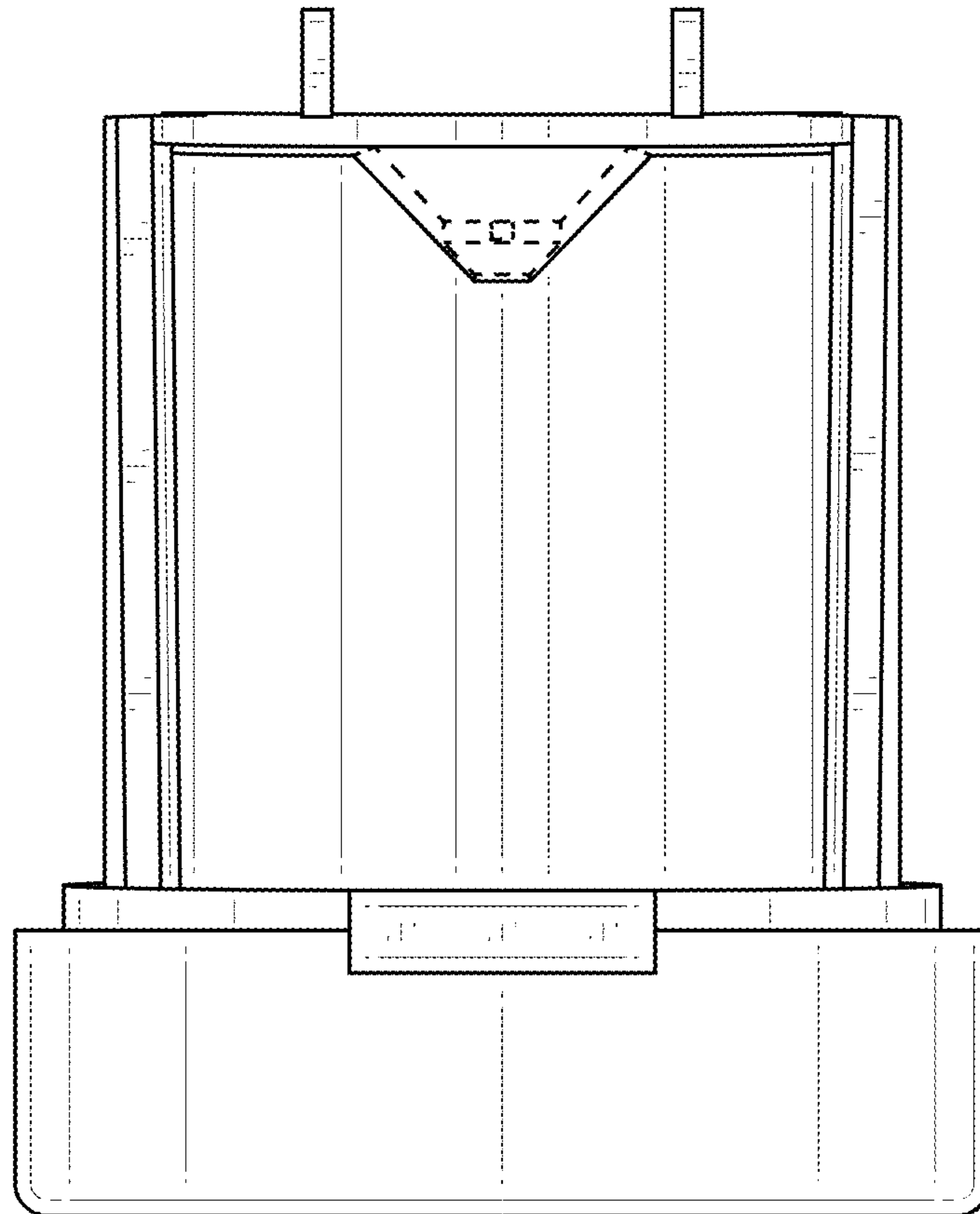


FIG. 2

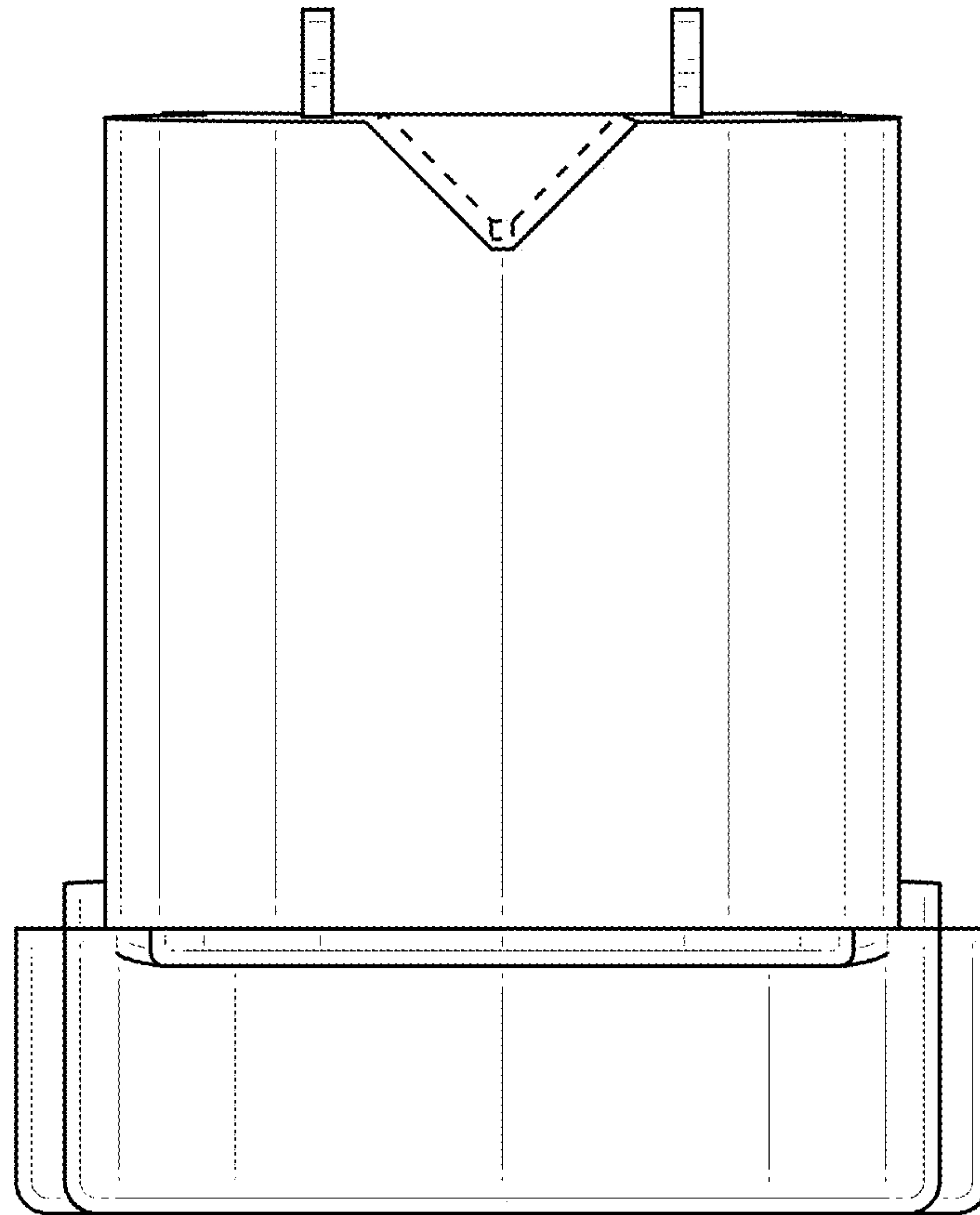


FIG. 3

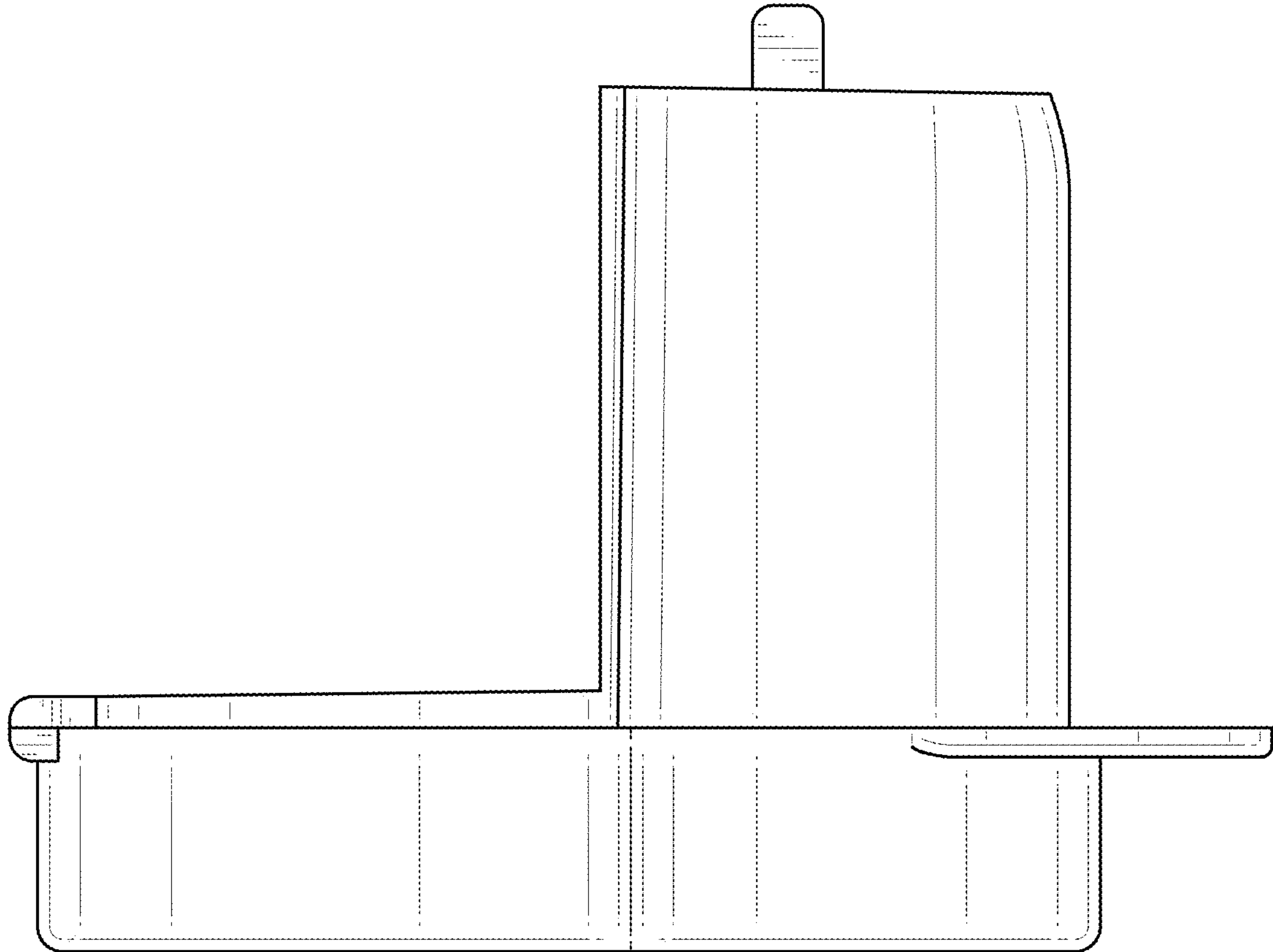


FIG. 4

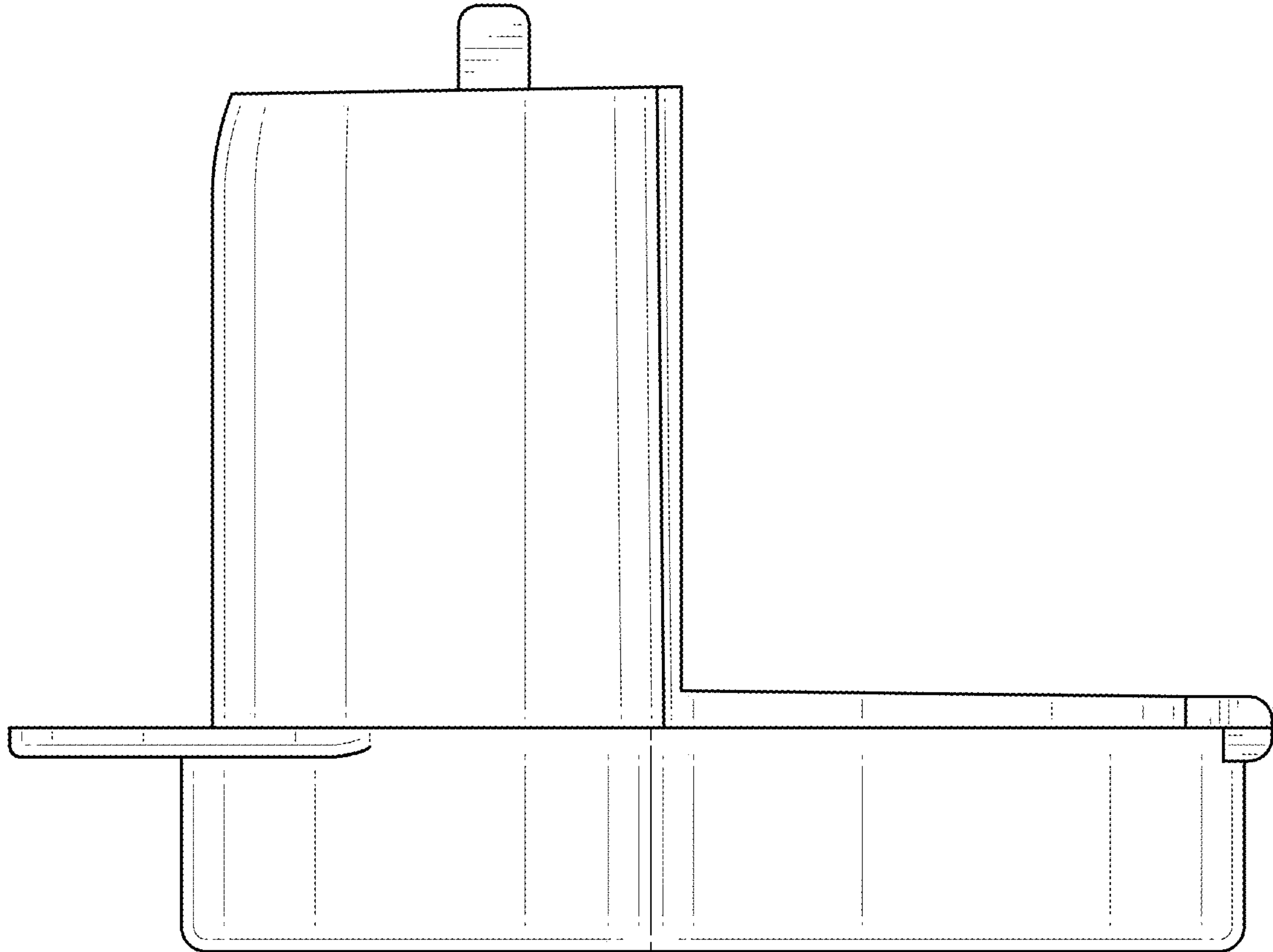


FIG. 5

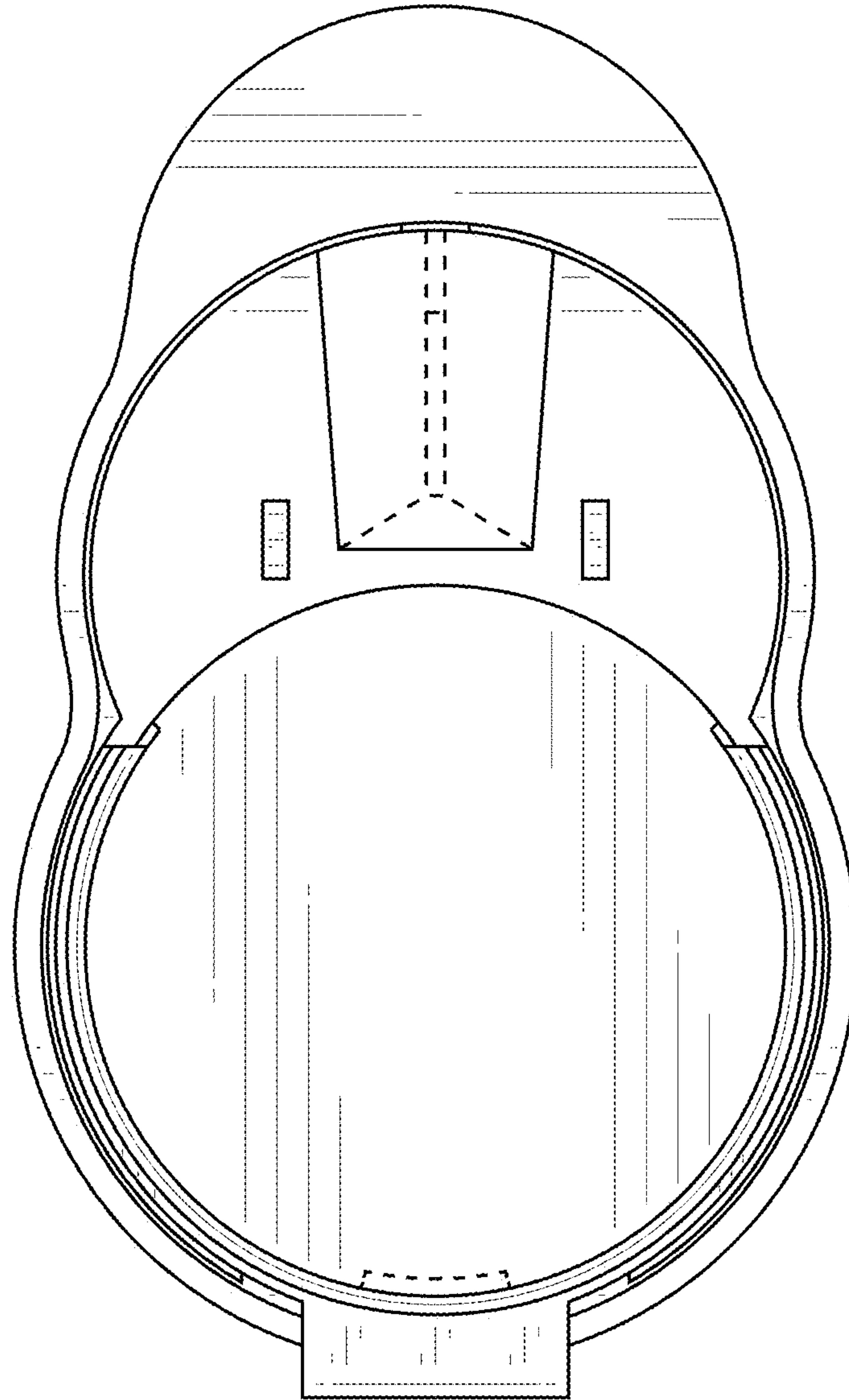


FIG. 6

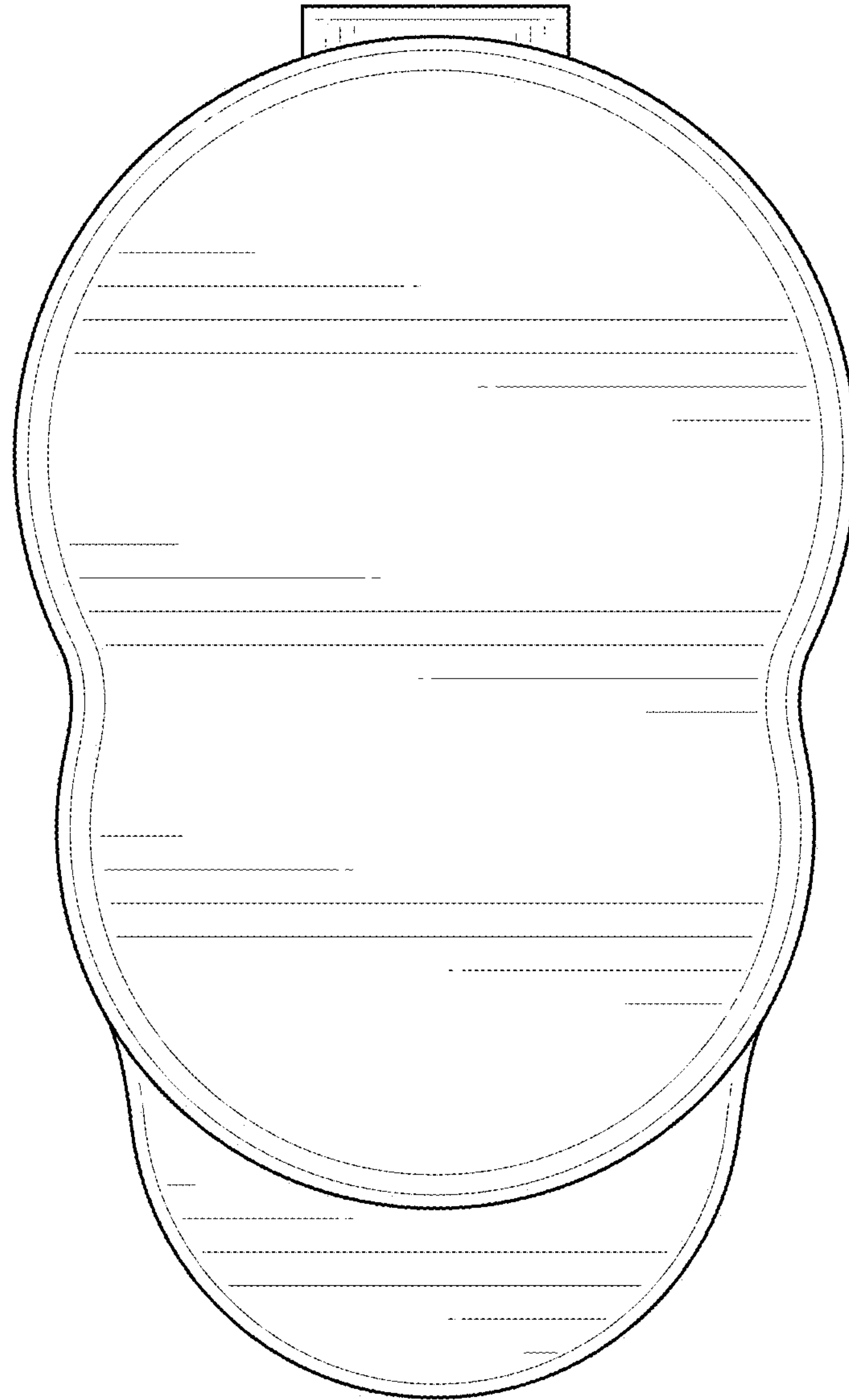


FIG. 7

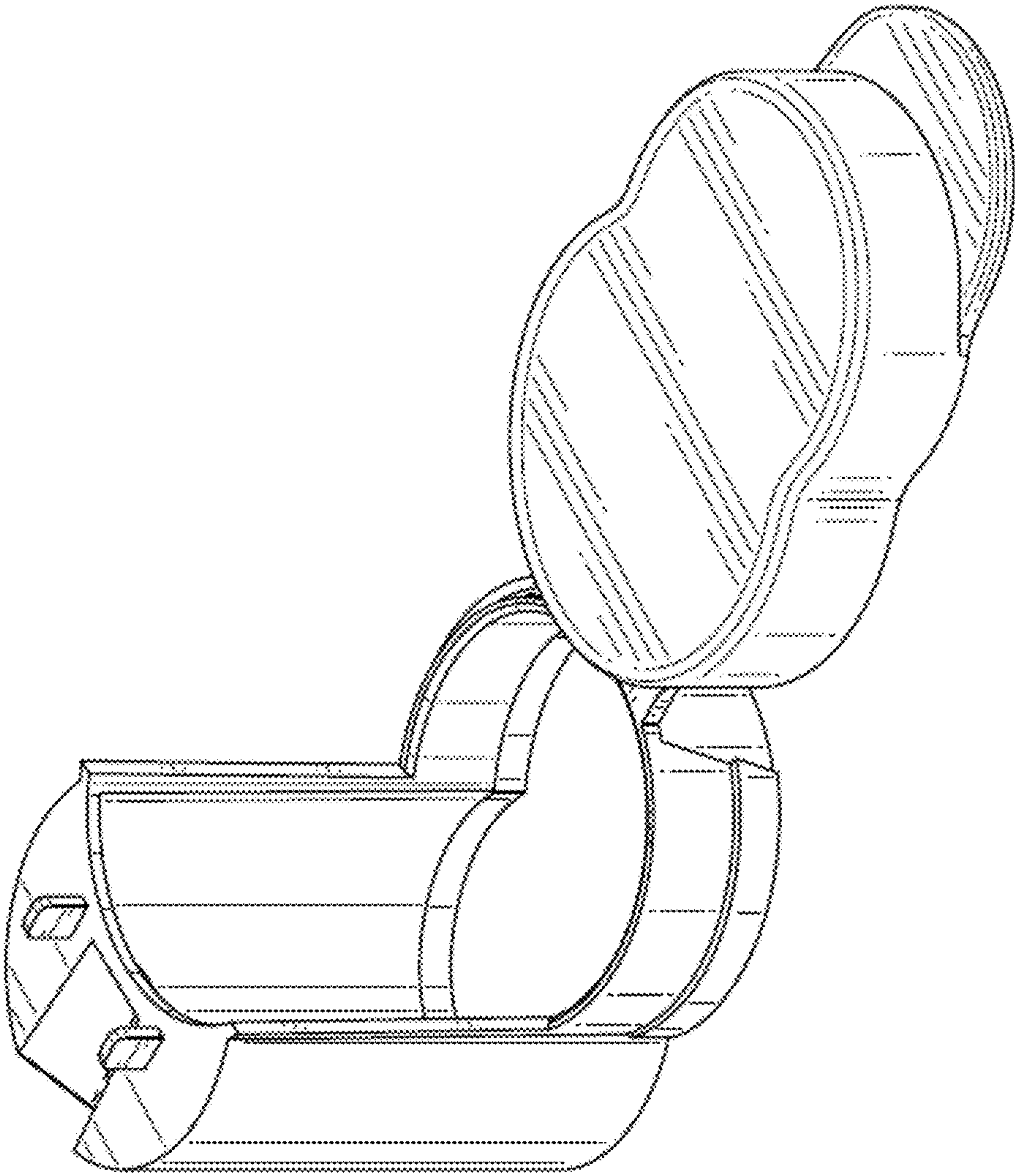


FIG. 8

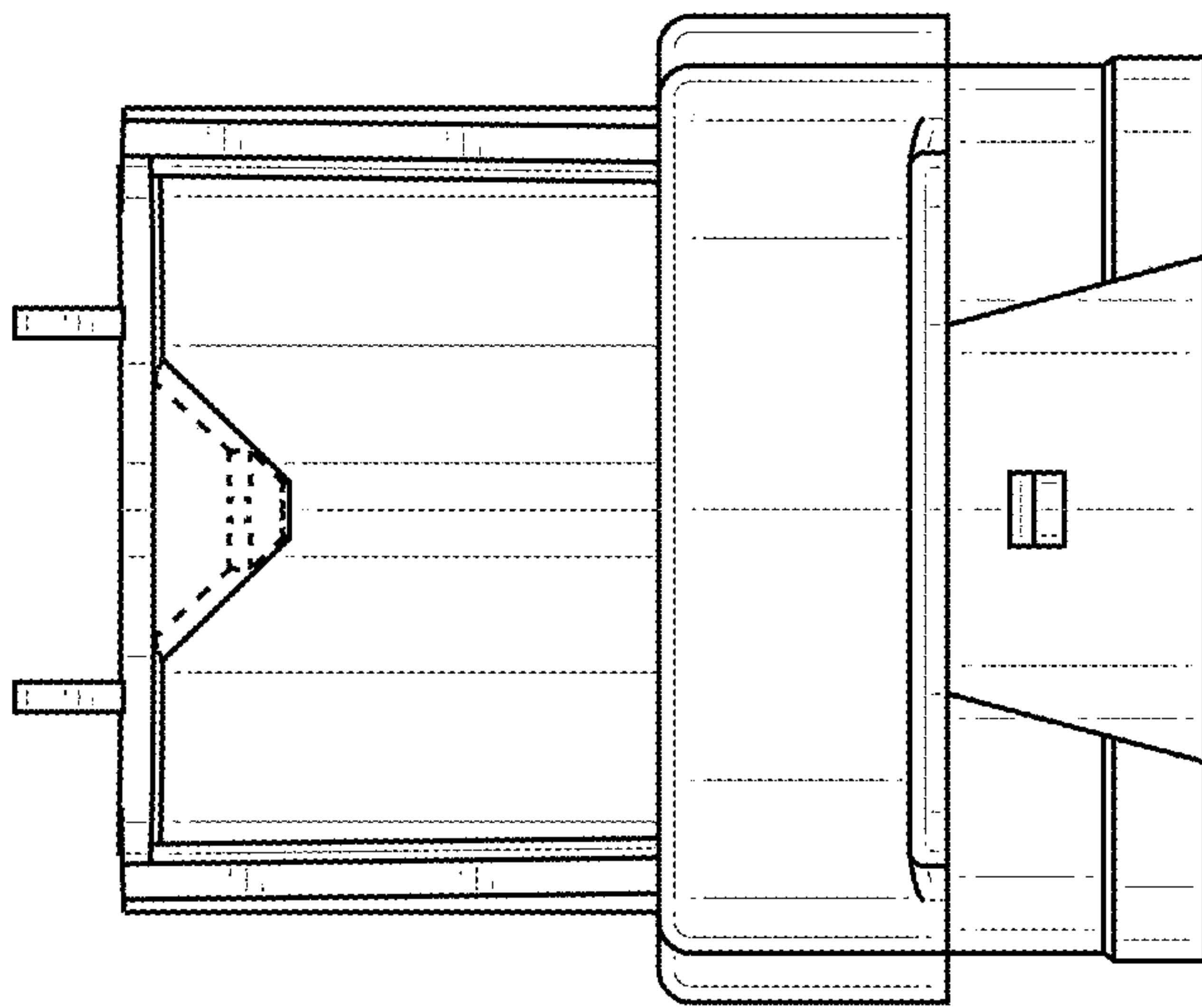


FIG. 9

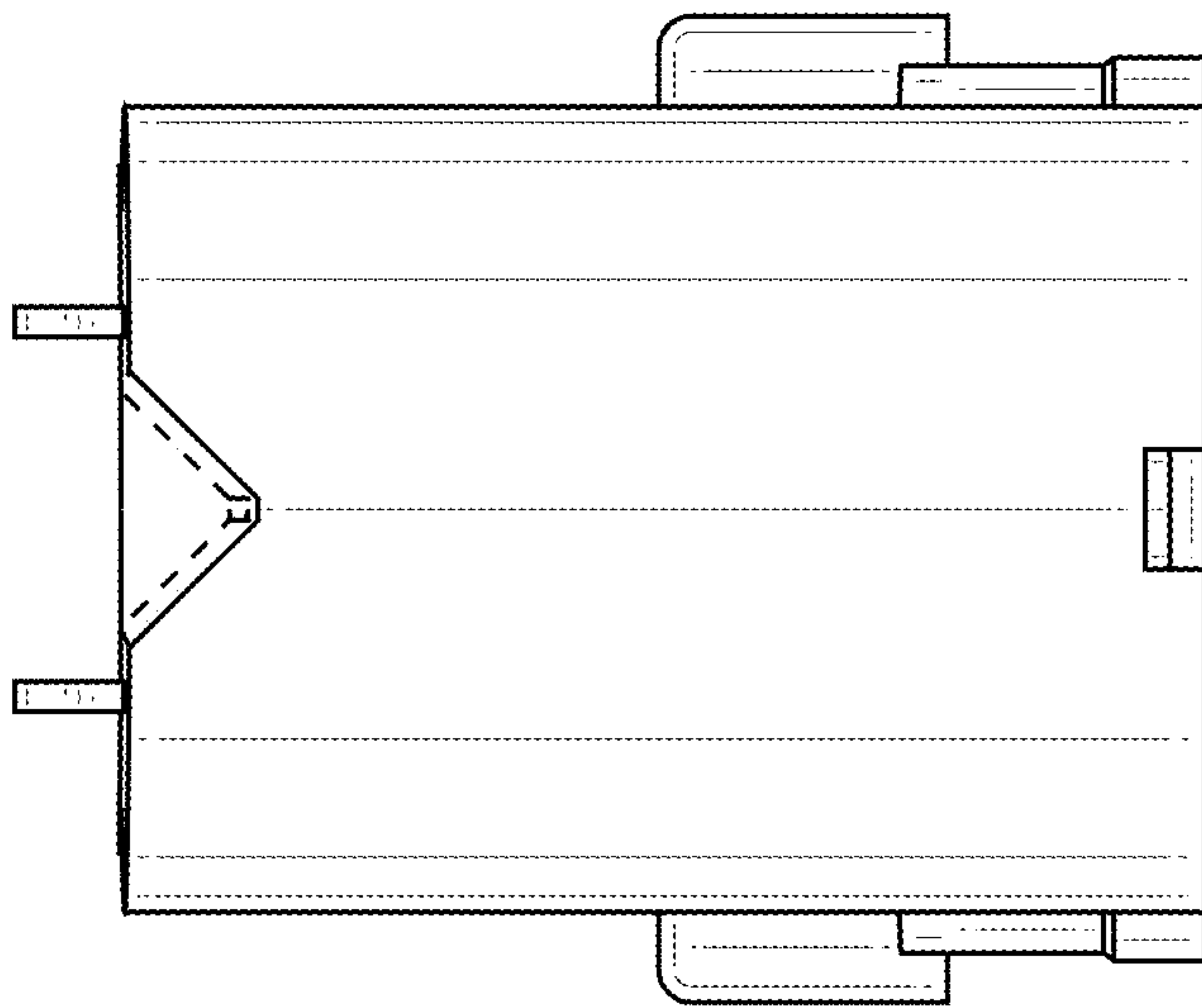


FIG. 10

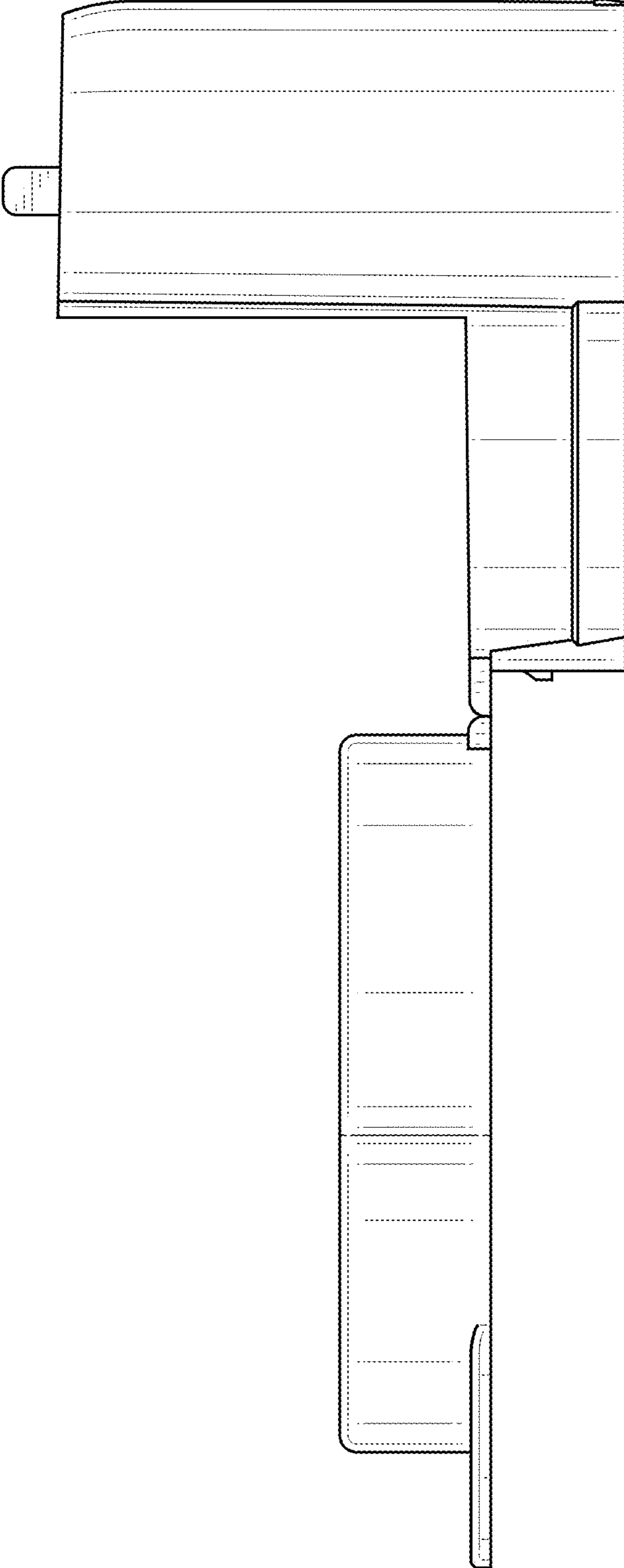


FIG. 11

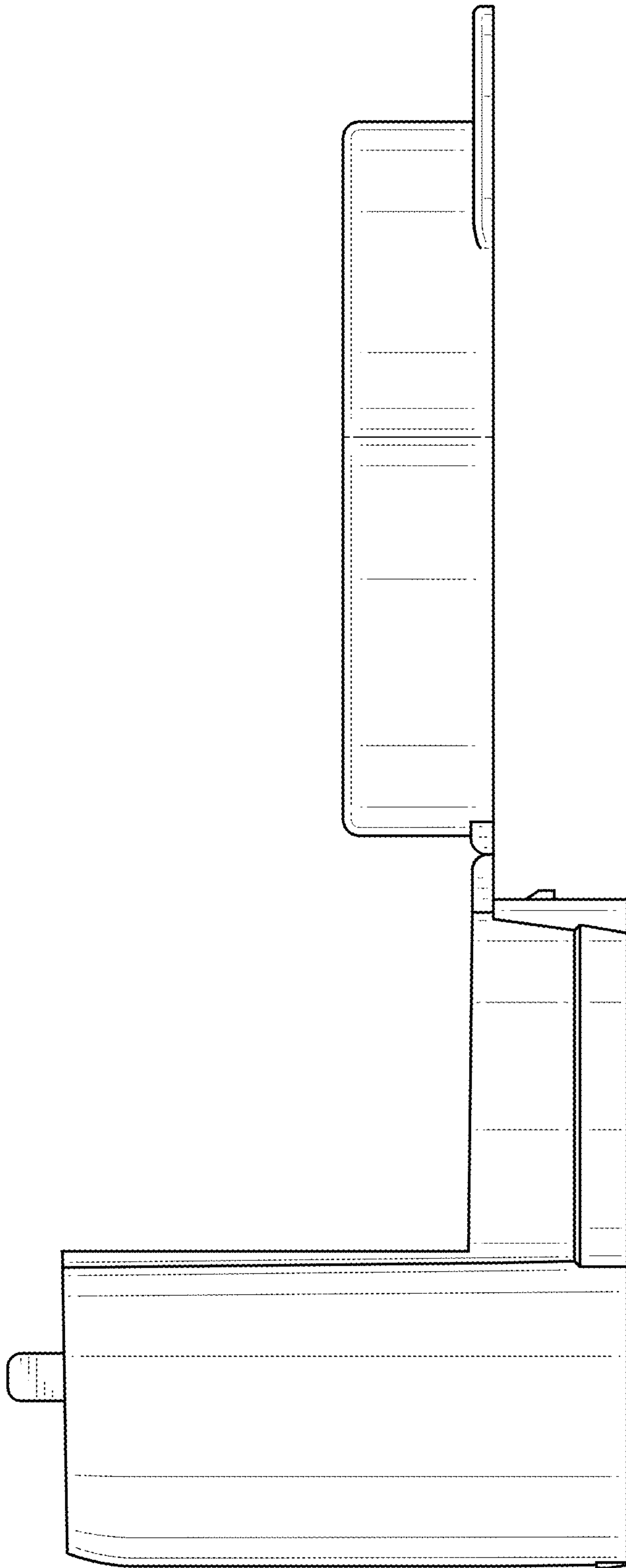


FIG. 12

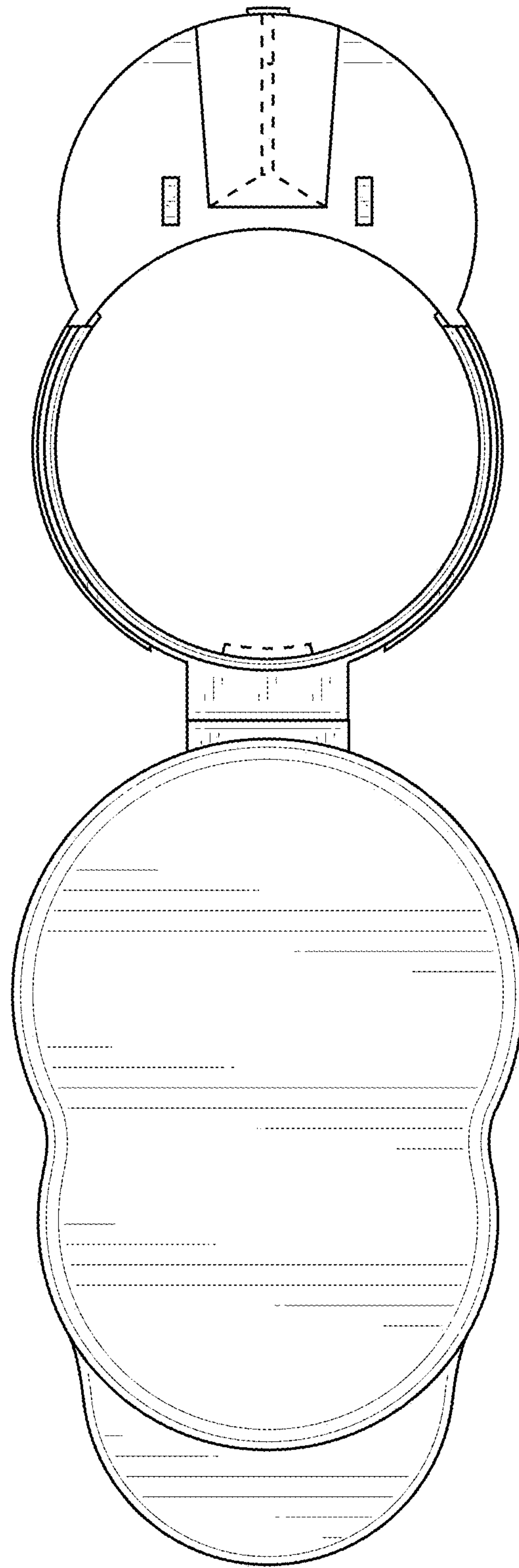


FIG. 13

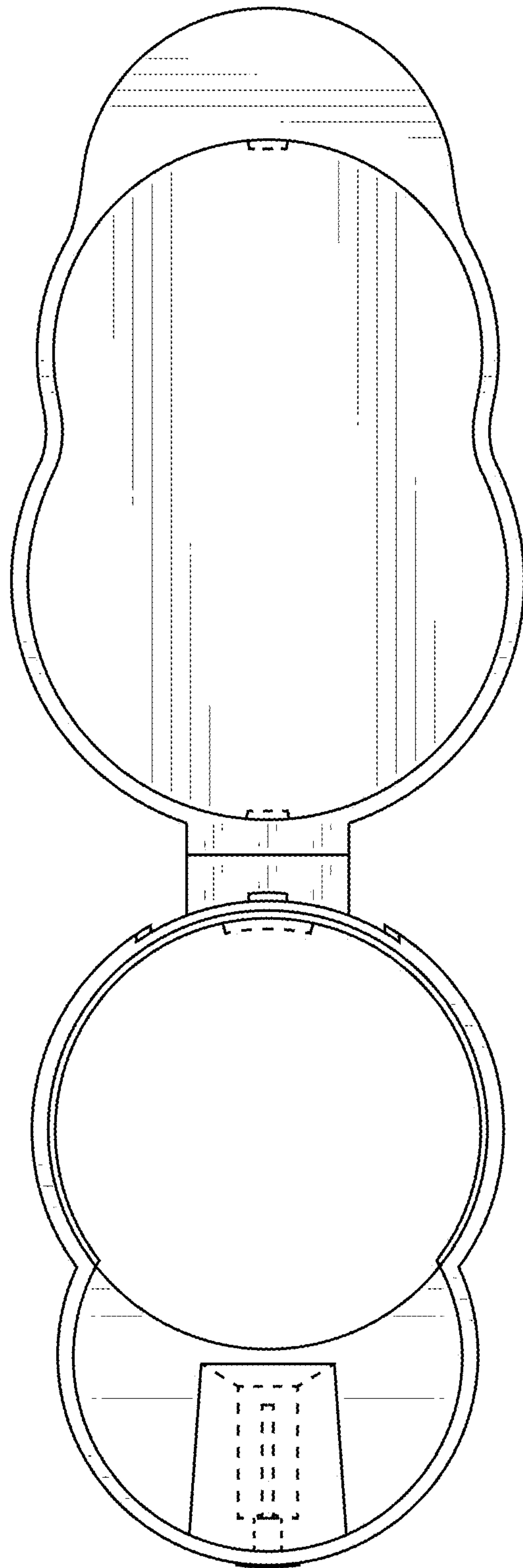


FIG. 14

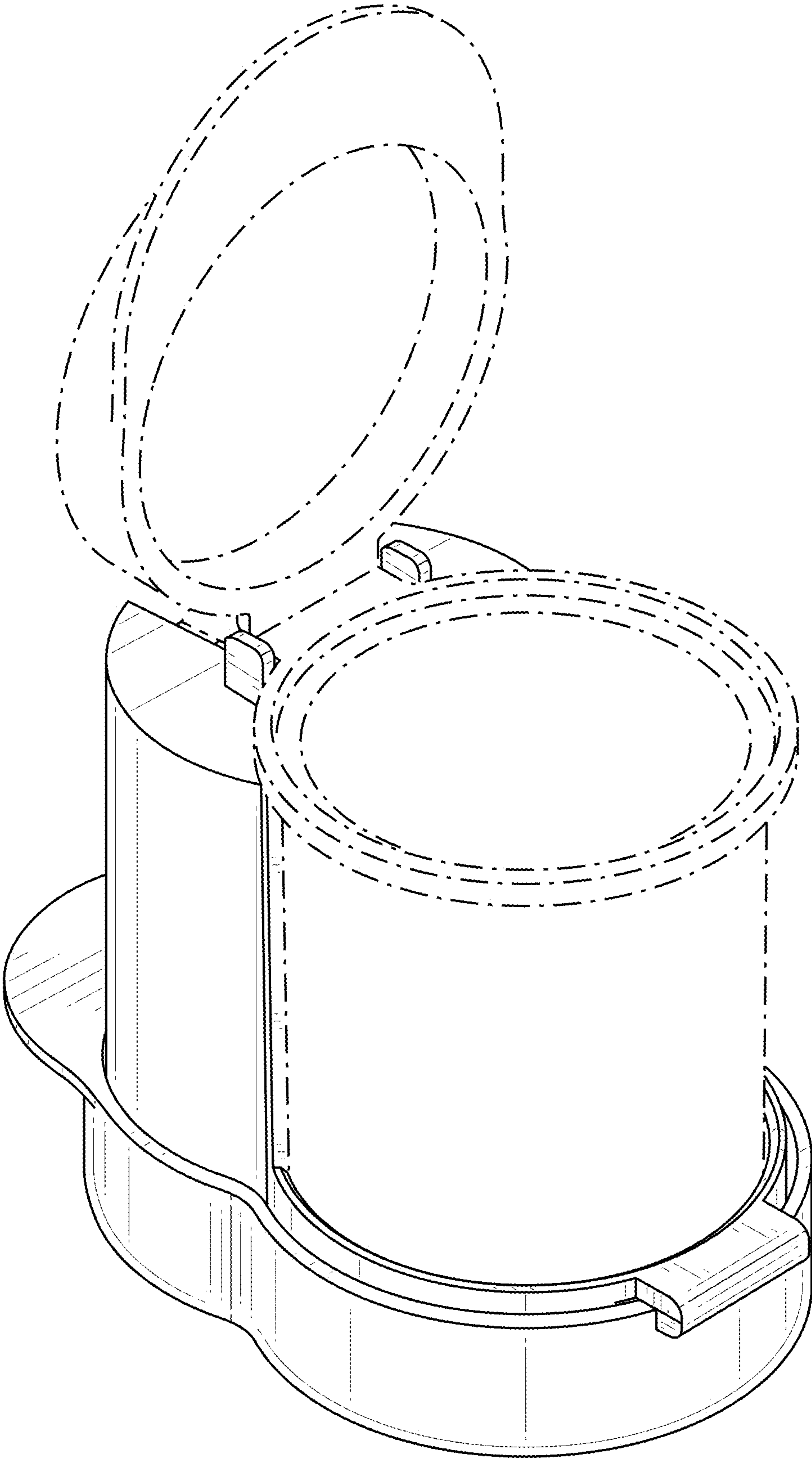


FIG. 15

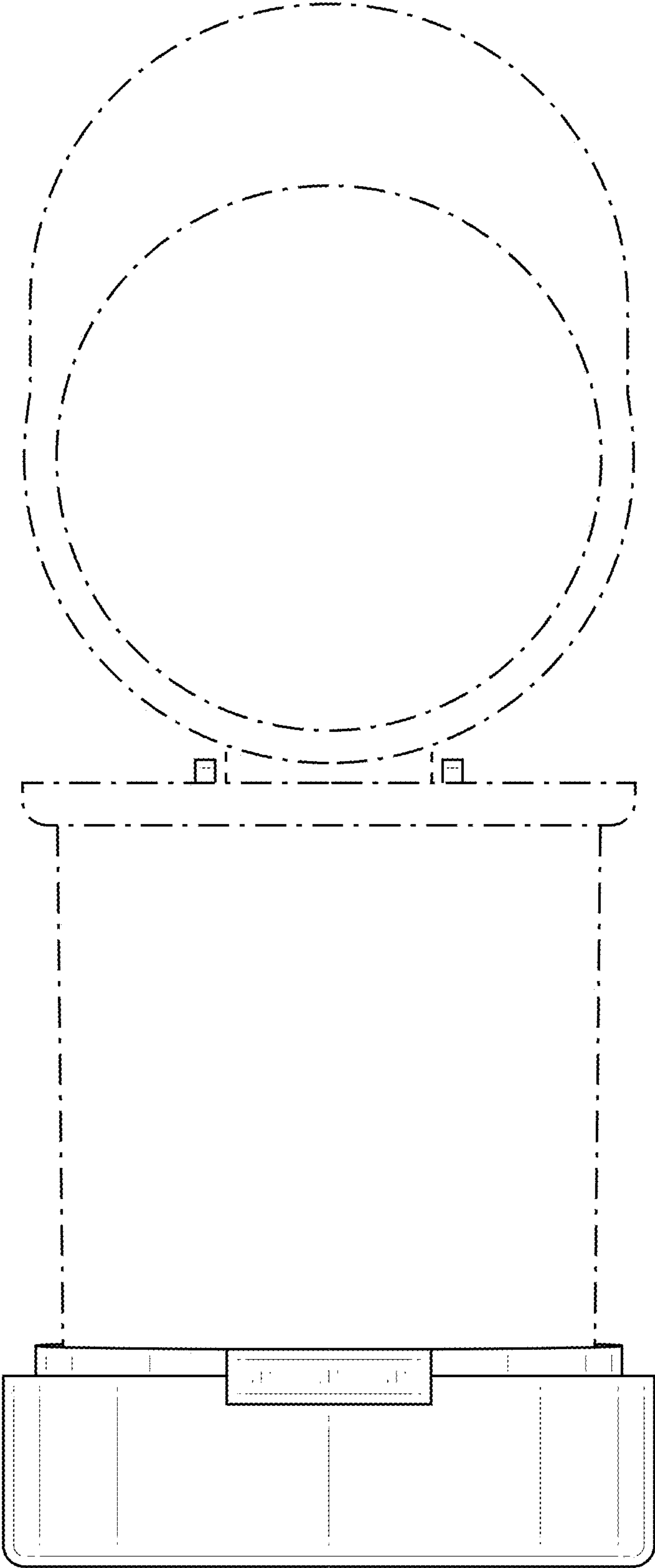


FIG. 16

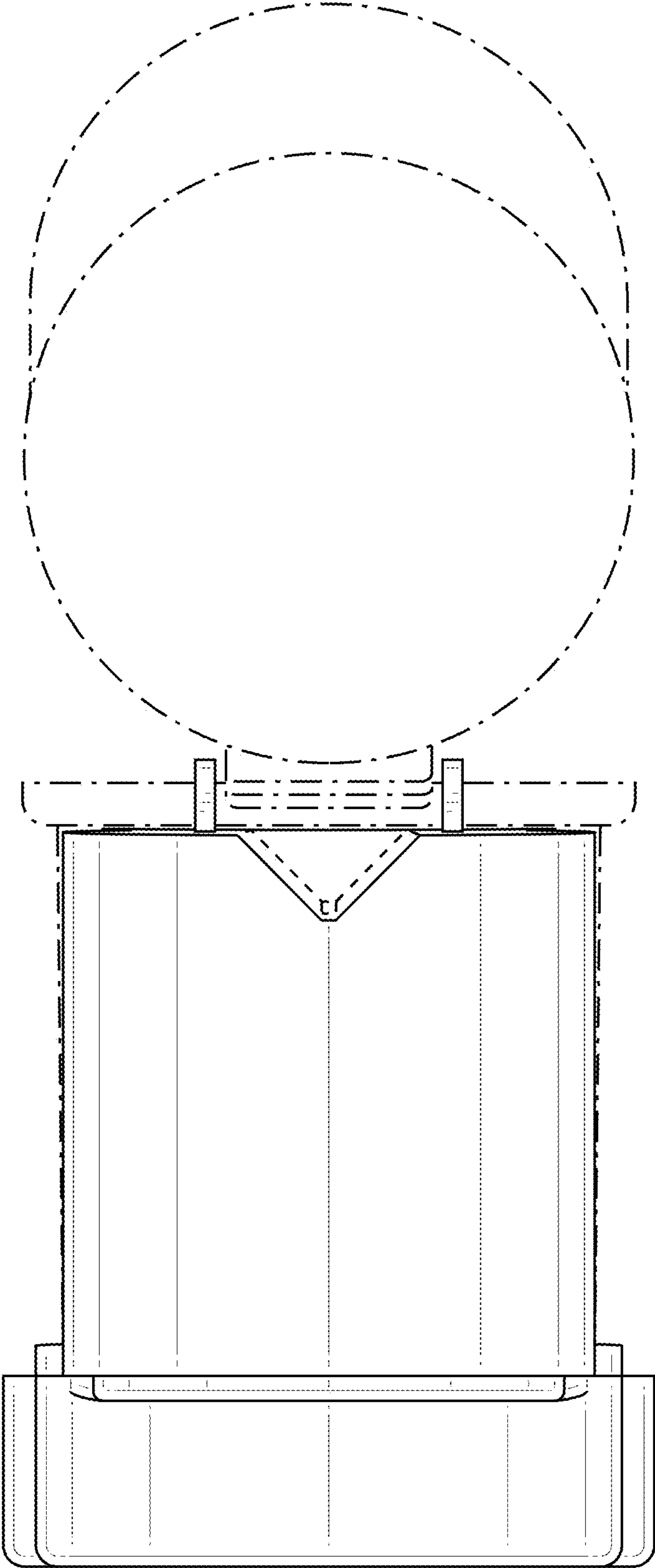


FIG. 17

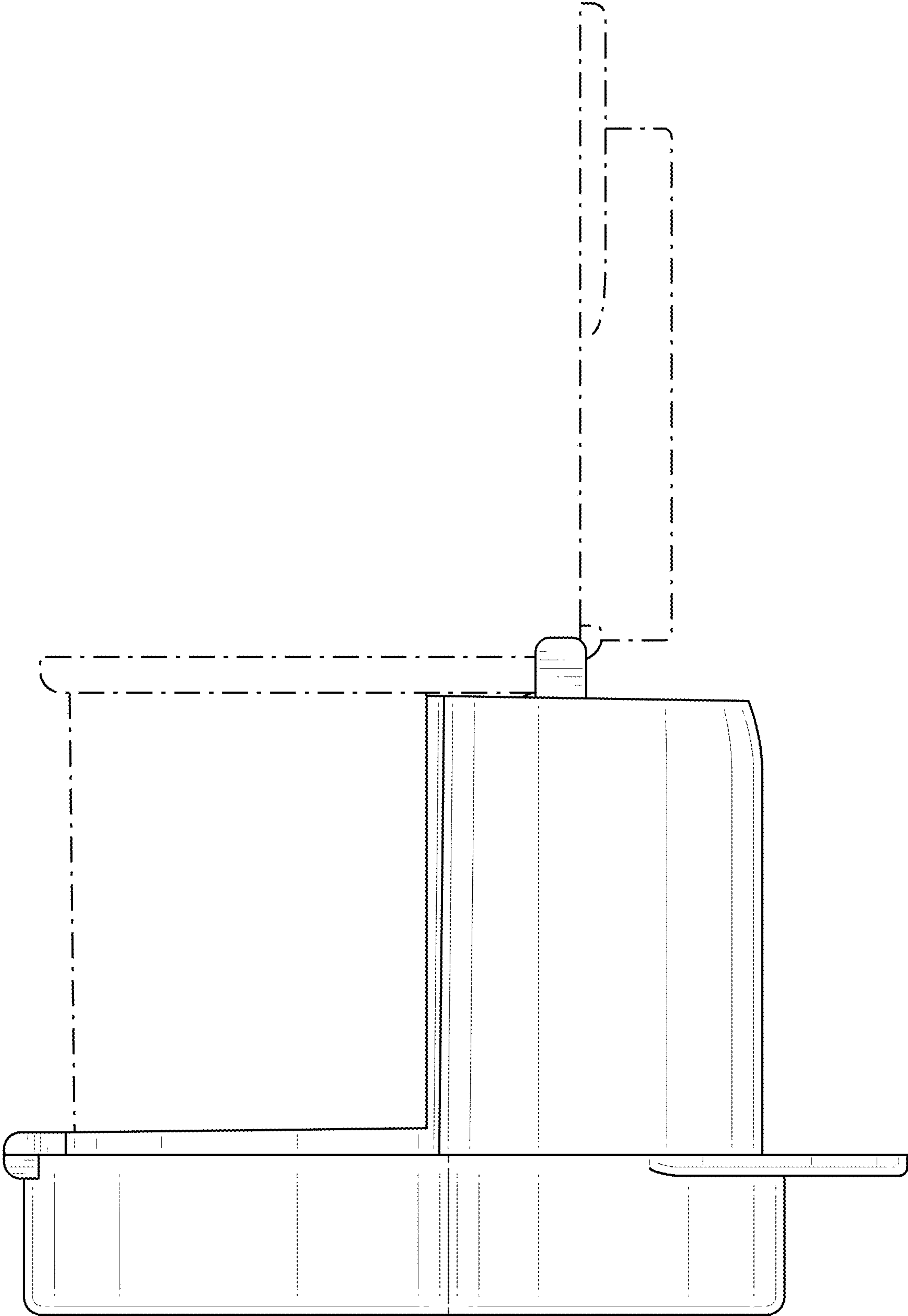


FIG. 18

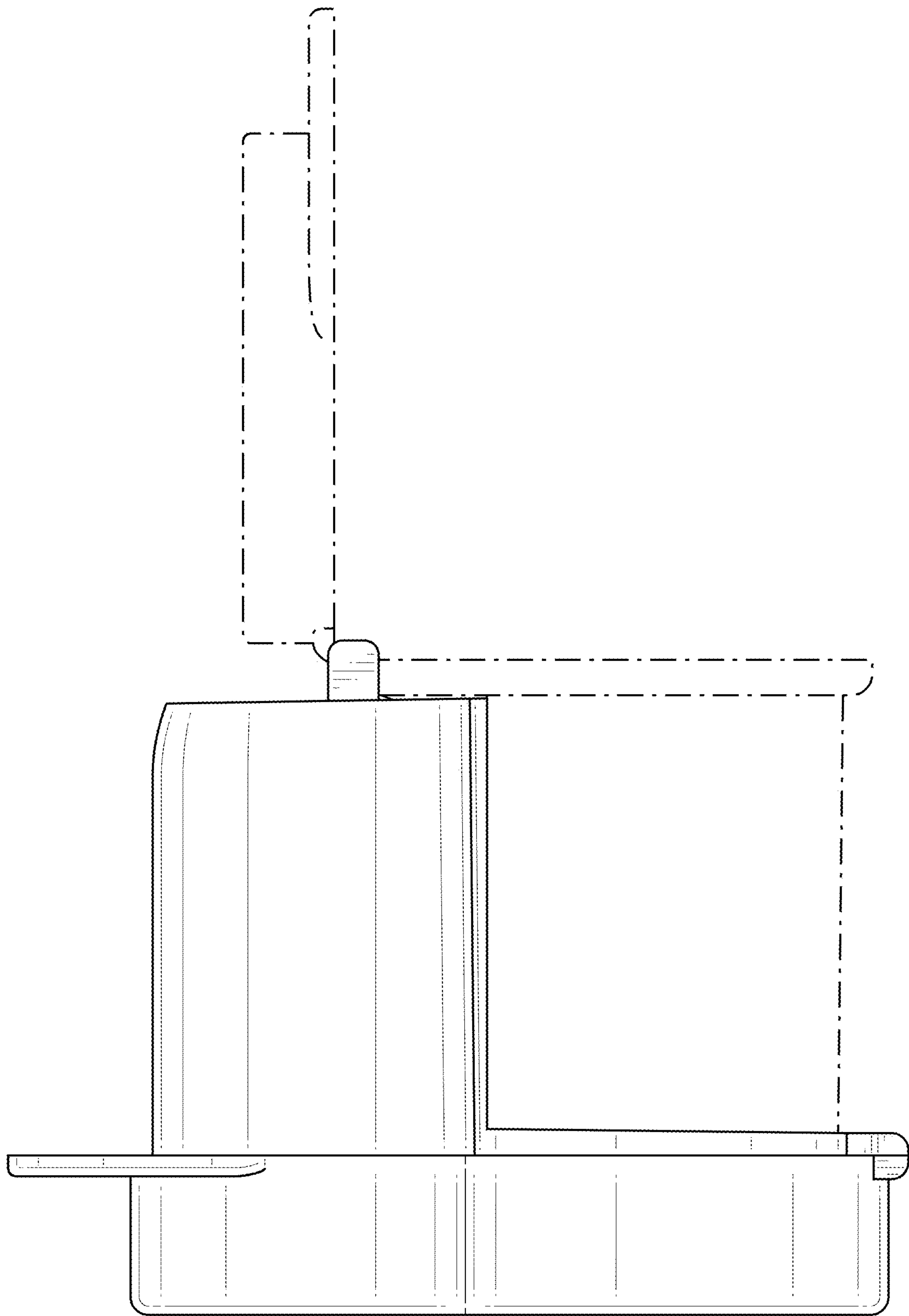


FIG. 19

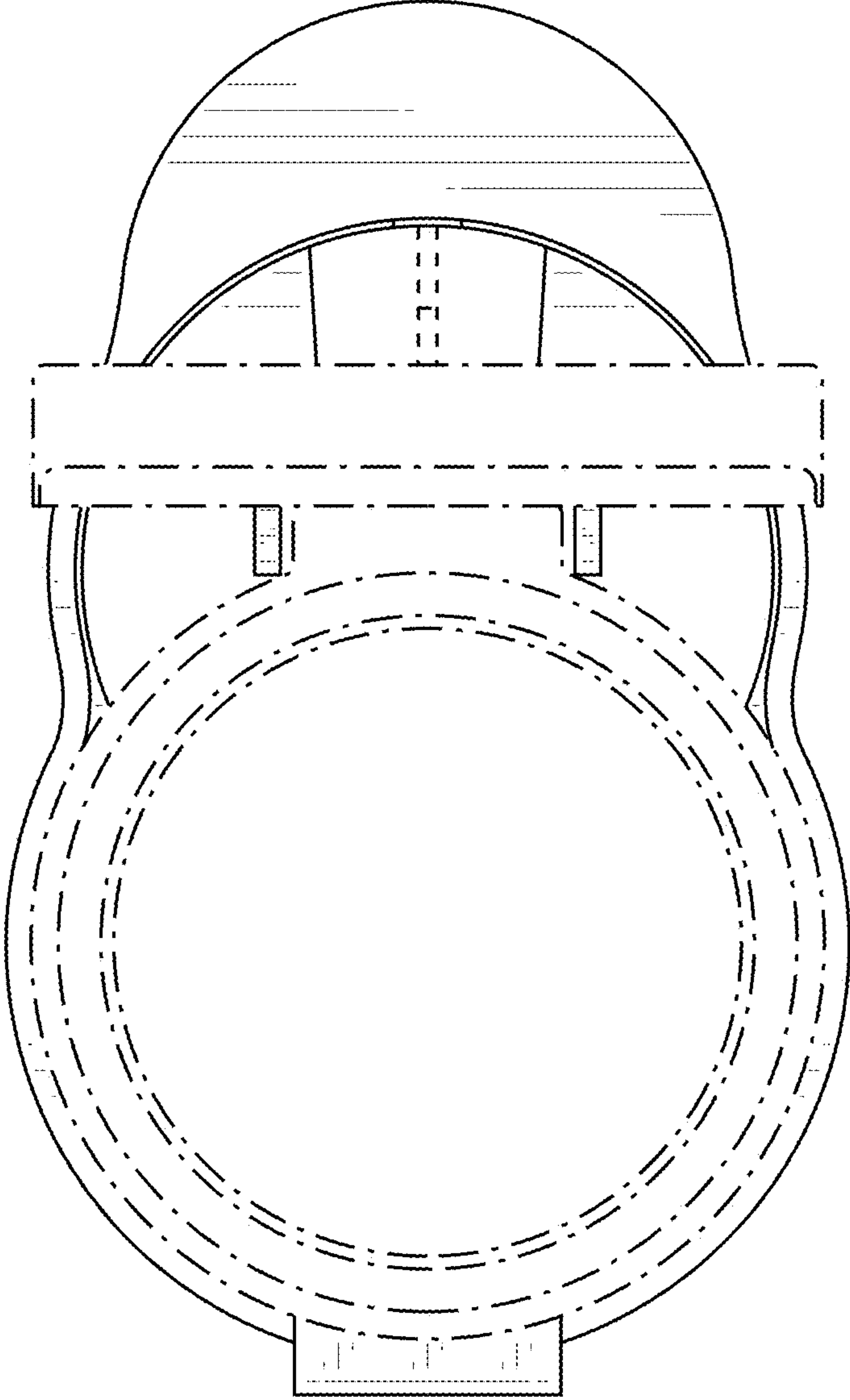


FIG. 20

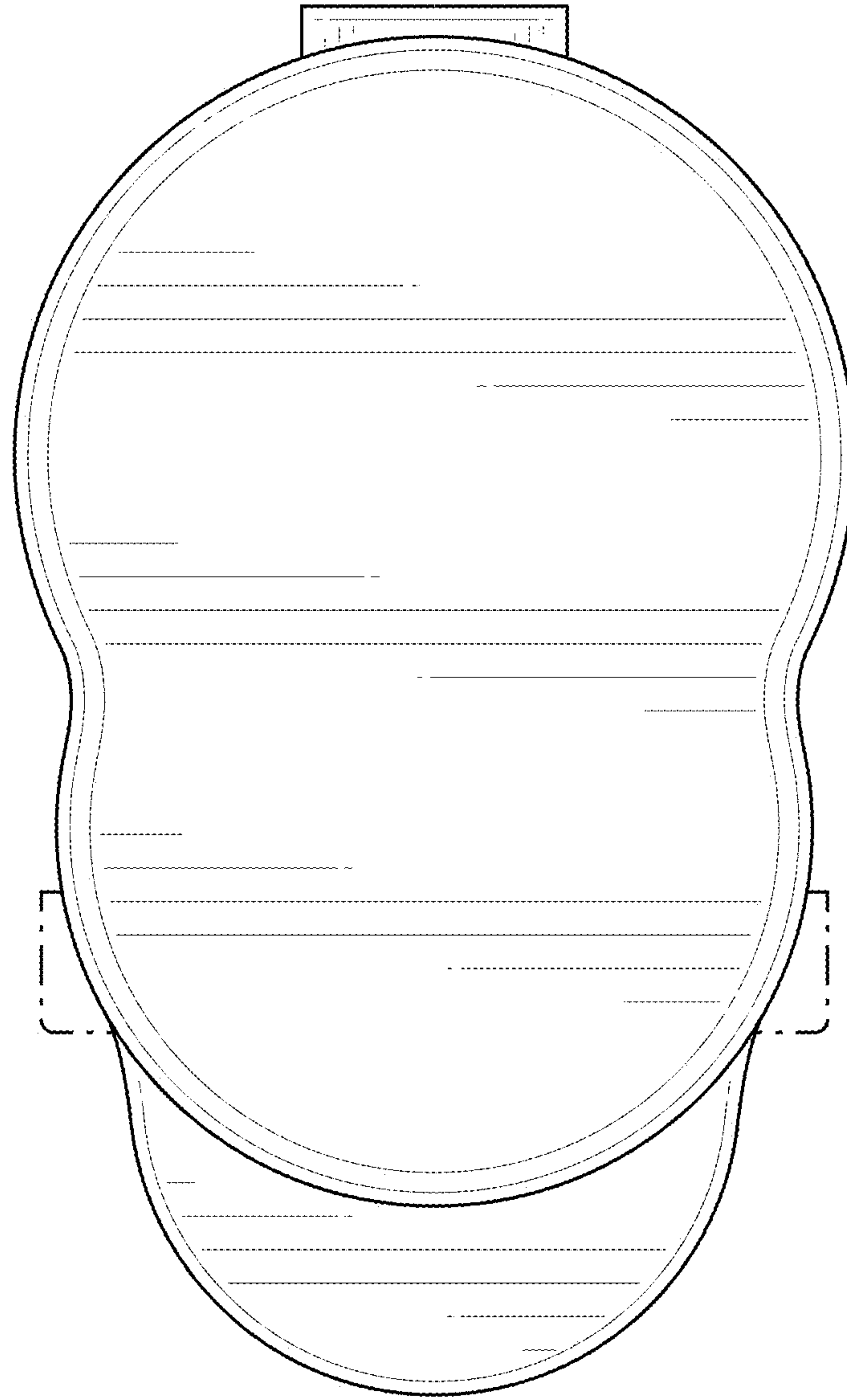


FIG. 21

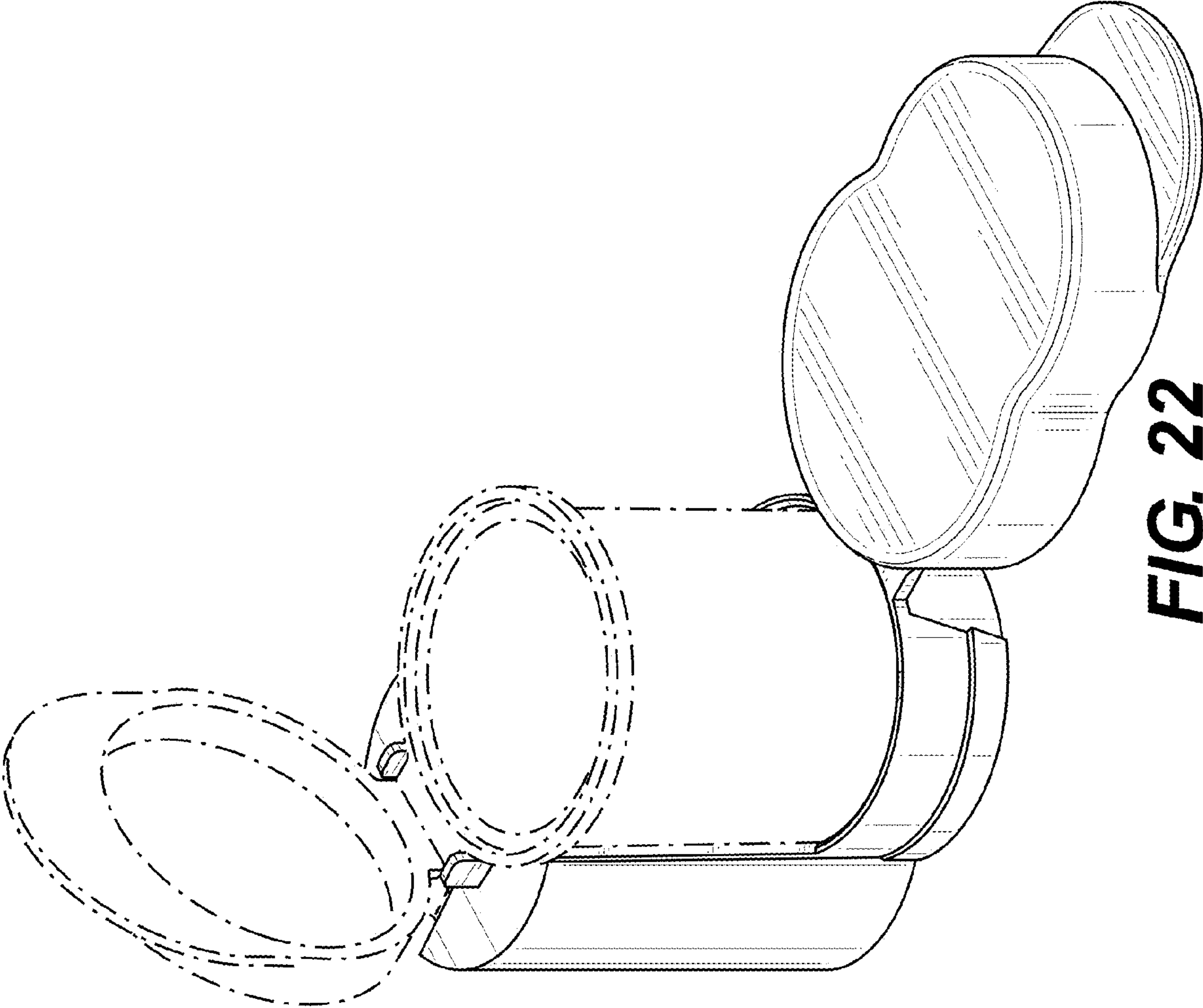


FIG. 22

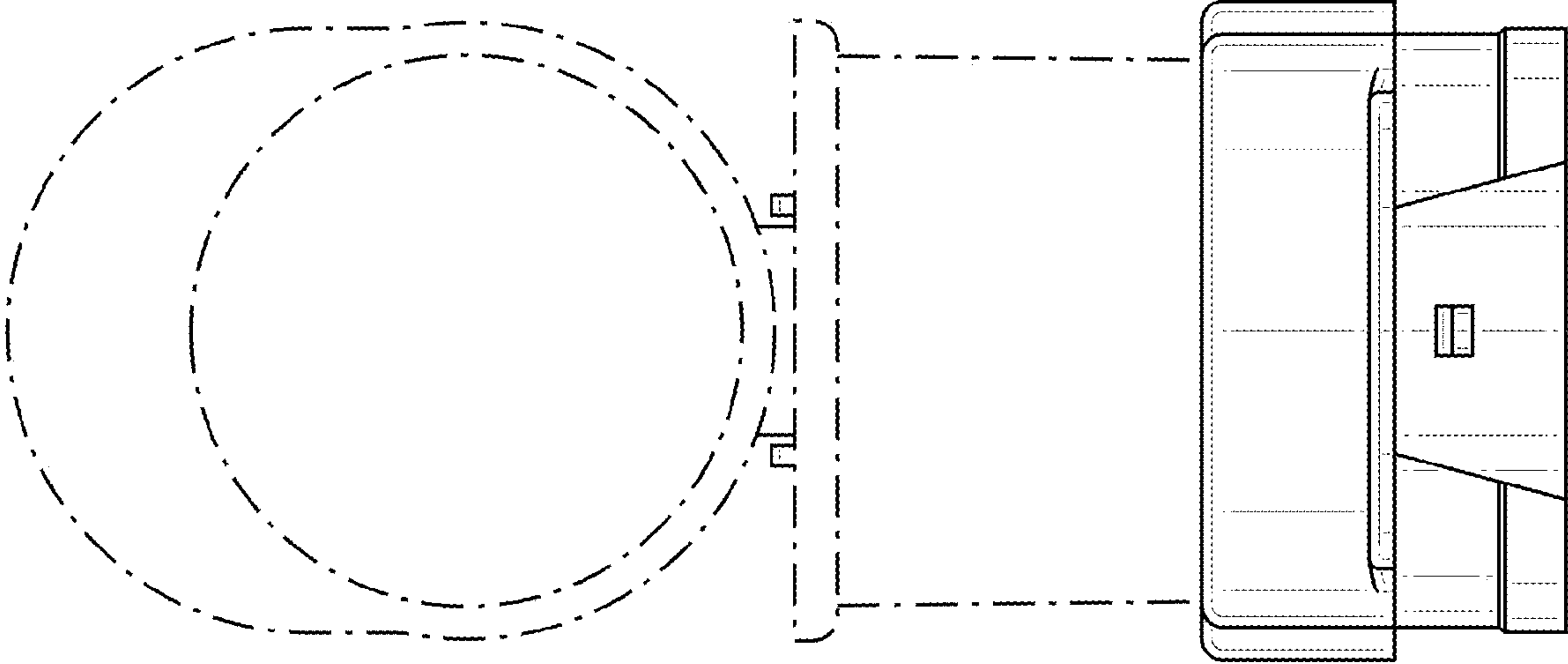


FIG. 23

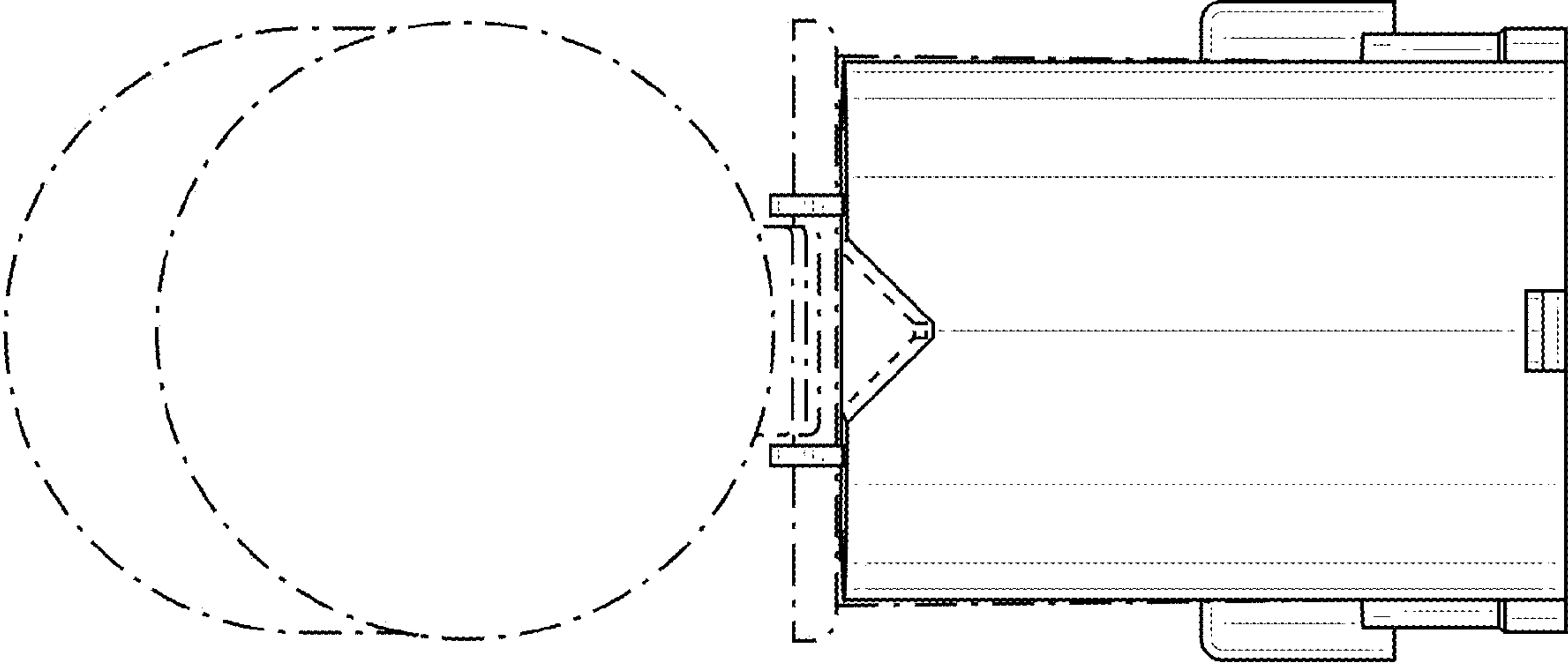


FIG. 24

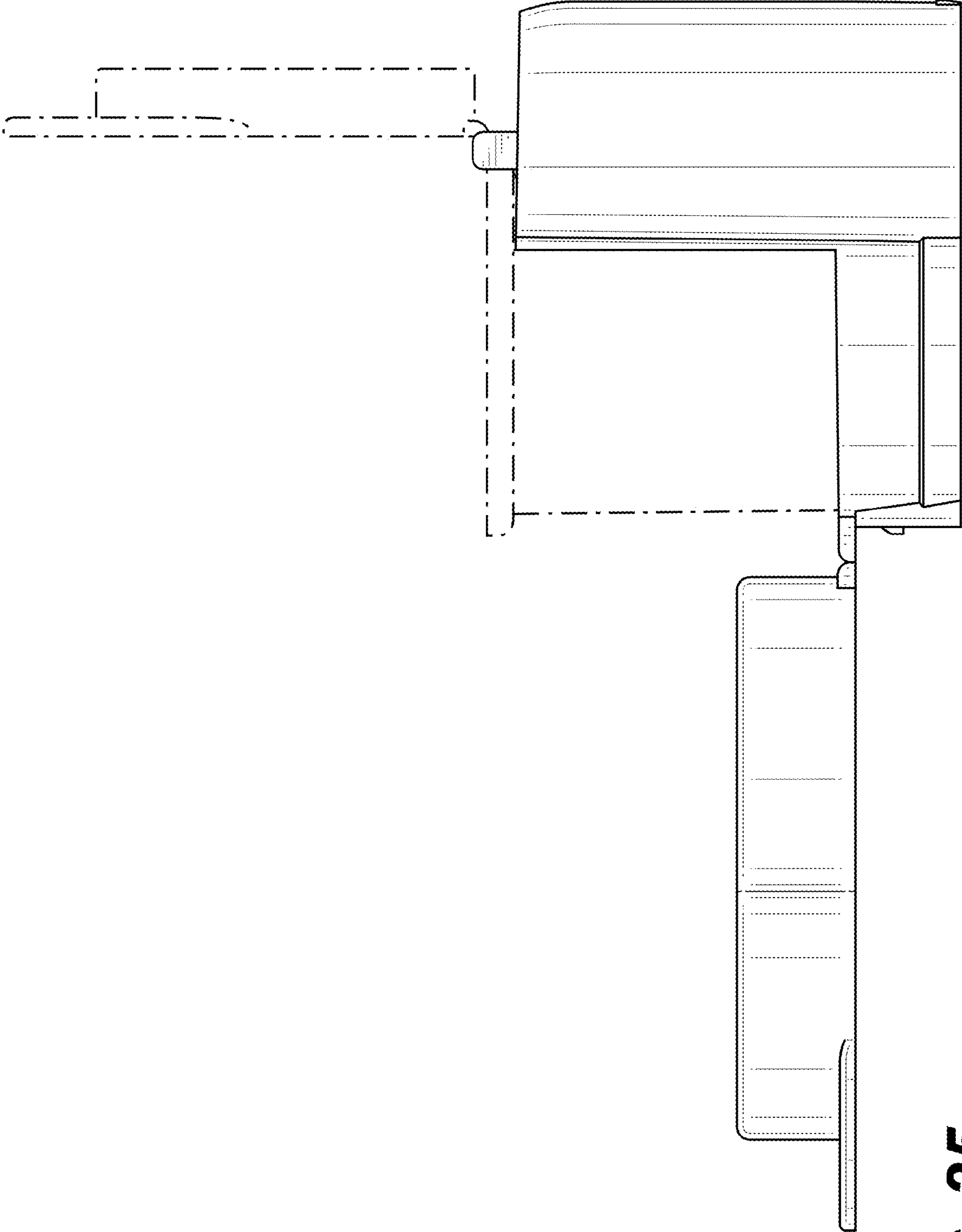


FIG. 25

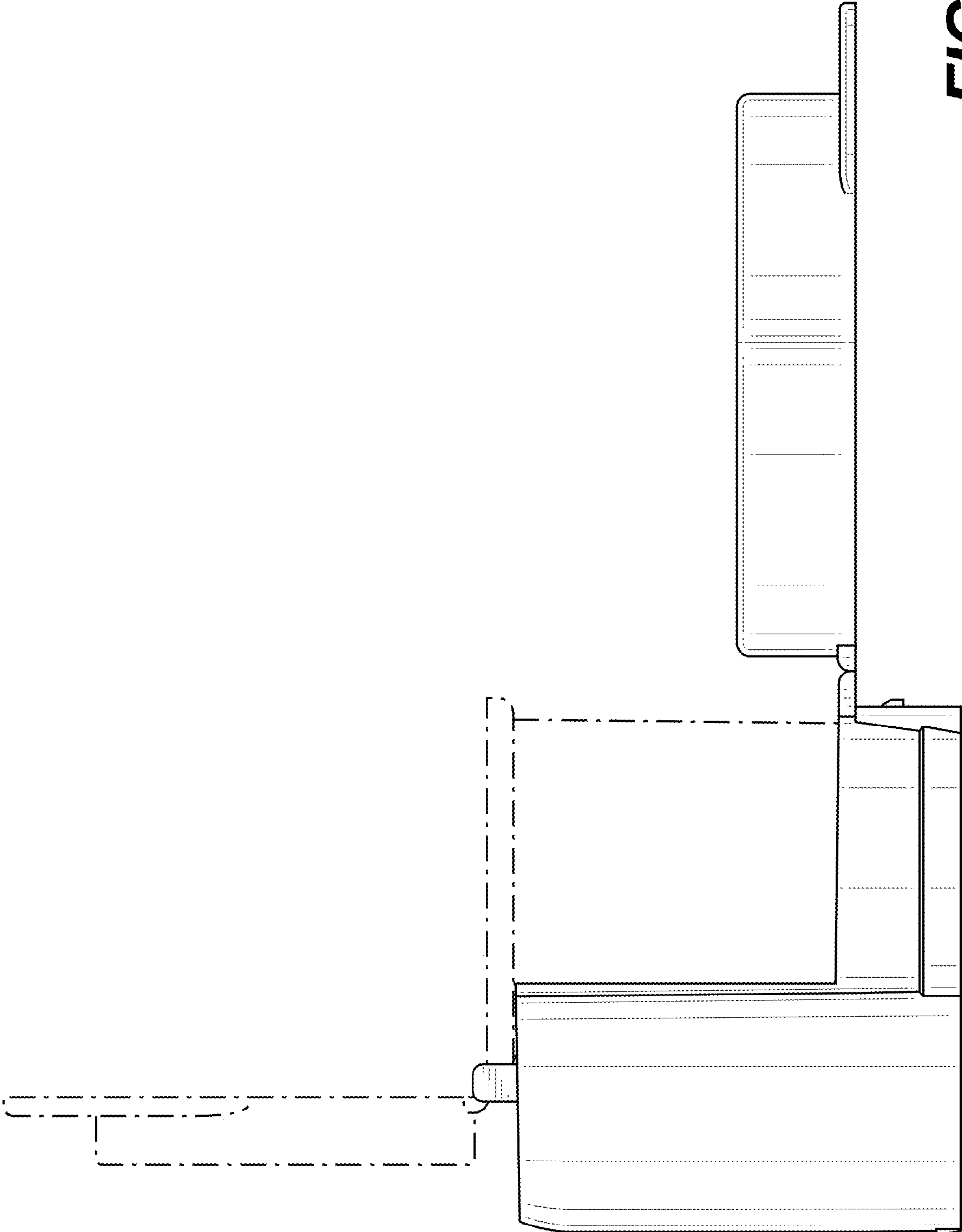


FIG. 26

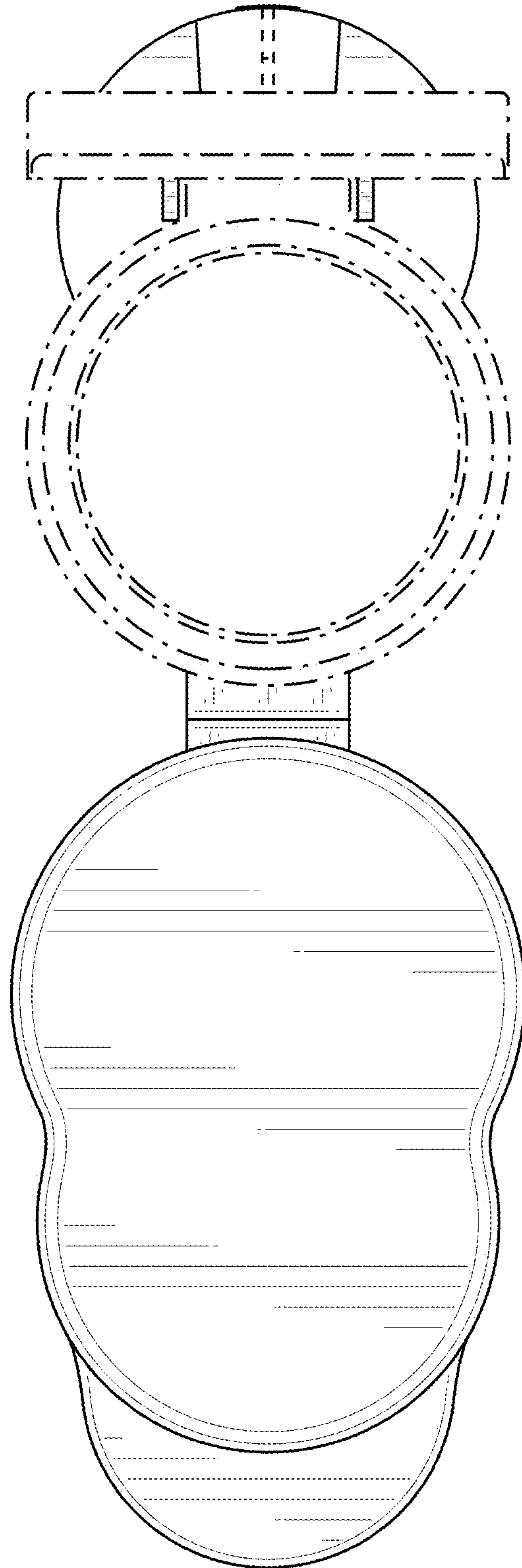


FIG. 27

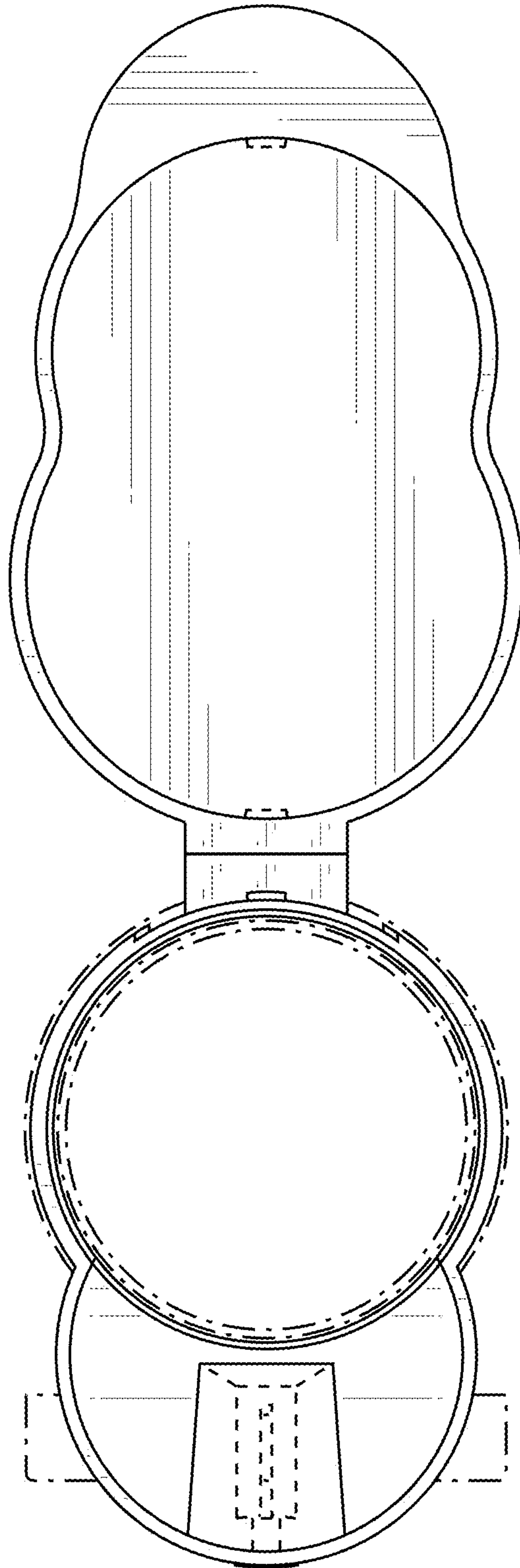


FIG. 28