



US00D986433S

(12) **United States Design Patent** (10) **Patent No.:** **US D986,433 S**  
**Chen** (45) **Date of Patent:** **\*\* May 16, 2023**

(54) **MESSAGE GUN**  
(71) Applicant: **Shanshan Chen**, Gaoan (CN)  
(72) Inventor: **Shanshan Chen**, Gaoan (CN)  
(\*\*) Term: **15 Years**  
(21) Appl. No.: **29/819,567**  
(22) Filed: **Dec. 16, 2021**  
(51) **LOC (14) Cl.** ..... **24-01**  
(52) **U.S. Cl.**  
USPC ..... **D24/215**  
(58) **Field of Classification Search**  
USPC ..... D24/200, 211, 212, 213, 214, 215;  
D8/14.1; D28/13  
CPC ..... A61H 15/02; A61H 1/008; A61H  
2201/1635; A61H 1/006; A61H 15/00;  
A61H 23/0263; A61H 15/0085  
See application file for complete search history.

(56) **References Cited**  
  
U.S. PATENT DOCUMENTS  
  
D403,075 S \* 12/1998 Lie ..... D24/215  
D918,411 S \* 5/2021 Xu ..... D24/215  
D924,424 S 7/2021 Wang  
D925,758 S \* 7/2021 Xu ..... D24/215  
D932,045 S \* 9/2021 Shen ..... D24/215  
D937,431 S \* 11/2021 Li ..... D24/215  
D946,779 S \* 3/2022 Ren ..... D24/215  
D949,400 S \* 4/2022 Wersland ..... D24/215  
D949,411 S \* 4/2022 Chen ..... D24/215  
D949,412 S \* 4/2022 Chen ..... D24/215  
D953,556 S \* 5/2022 Marton ..... D24/215  
D953,559 S \* 5/2022 He ..... D24/215

**OTHER PUBLICATIONS**  
Amazon, "Mini Muscle Massage Gun", First Available Date: Nov. 29, 2021. <https://www.amazon.com/Metallic-Percussive-Attachments->

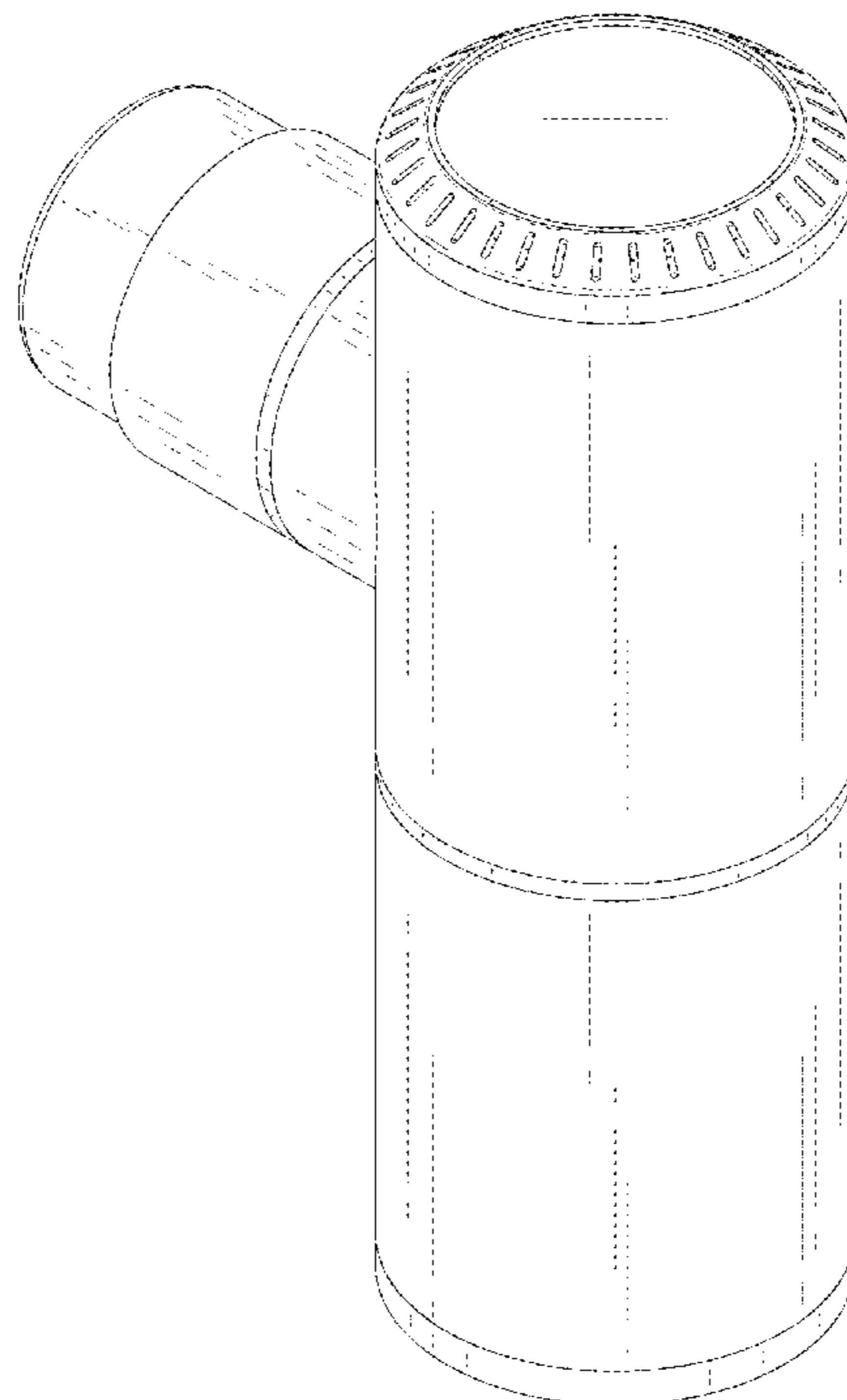
Adjustable-Lightweight/dp/B09MR2G3PC/ref=cm\_cr\_arp\_d\_product\_top?ie=UTF8&th=1 (Year: 2021).\*  
SkyMall, "Mini Muscle Massage Gun Compact Portable", Access Date: Sep. 1, 2022. <https://skymall.com/products/mini-muscle-massage-gun> (Year: 2022).\*  
Target, "Skymall Mini Massage Gun", Access Date: Sep. 1, 2022. [https://www.target.com/p/skymall-mini-massage-gun-pocket-sized-deep-tissue-massager-gun-portable-percussion-muscle-massager-gun-ultra-small-quiet-with-carry-case/-/A-86271084?type=scroll\\_to\\_review\\_section](https://www.target.com/p/skymall-mini-massage-gun-pocket-sized-deep-tissue-massager-gun-portable-percussion-muscle-massager-gun-ultra-small-quiet-with-carry-case/-/A-86271084?type=scroll_to_review_section) (Year: 2022).\*

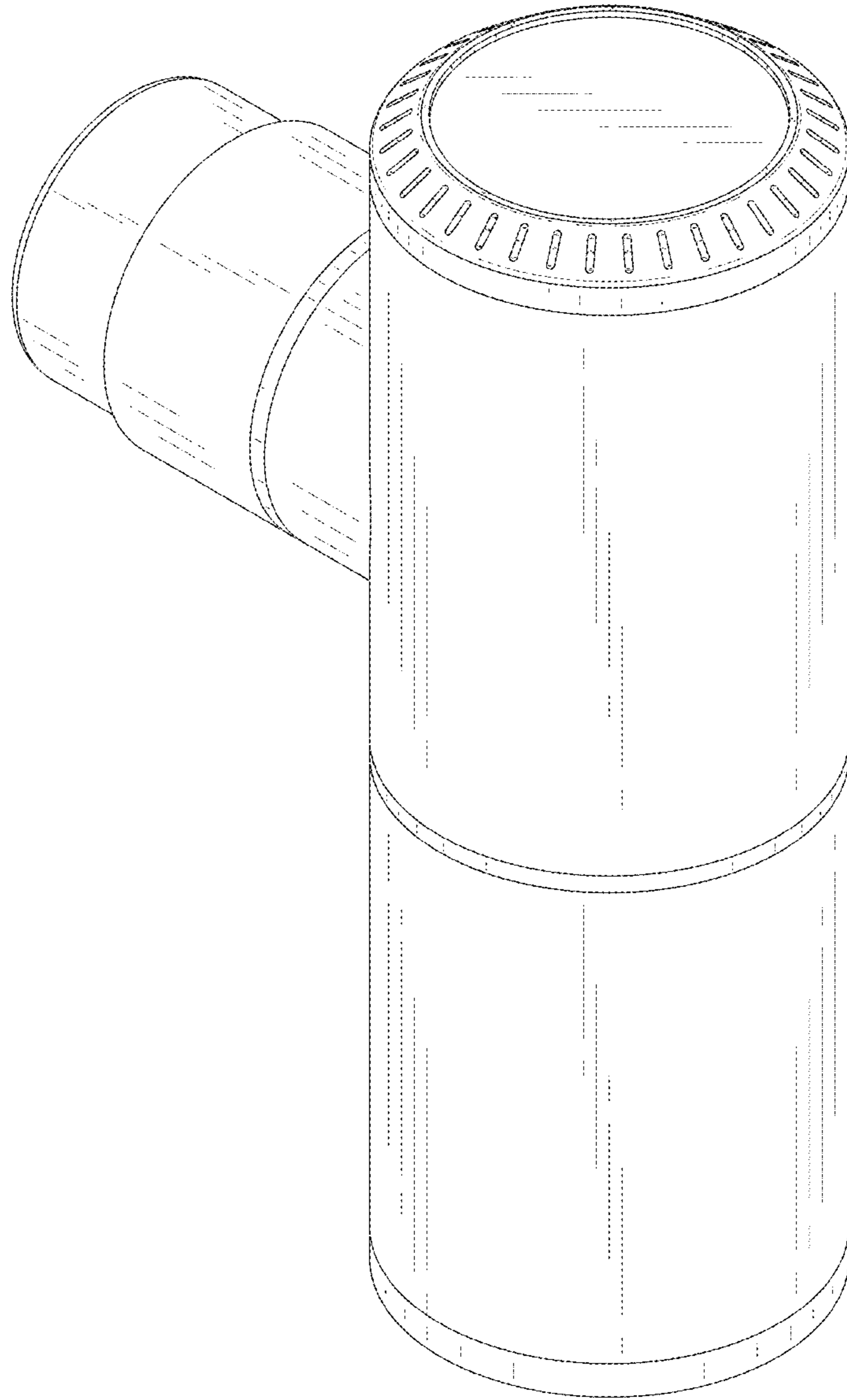
\* cited by examiner  
  
*Primary Examiner* — Michael A Maharajh  
(74) *Attorney, Agent, or Firm* — Che-Yang Chen; Law Office of Michael Chen

(57) **CLAIM**  
  
The ornamental design for massage gun, substantially as shown and described.

**DESCRIPTION**  
  
FIG. 1 is a front perspective view of massage gun, showing my new design;  
FIG. 2 is a rear perspective view thereof;  
FIG. 3 is a front elevational view thereof;  
FIG. 4 is a rear elevational view thereof;  
FIG. 5 is a left side elevational view thereof;  
FIG. 6 is a right side elevational view thereof;  
FIG. 7 is a top plan view thereof; and,  
FIG. 8 is a bottom plan view thereof.  
The broken lines in the drawings illustrate the portions of the massage gun, which form no part of the claimed design.

**1 Claim, 8 Drawing Sheets**





**FIG. 1**

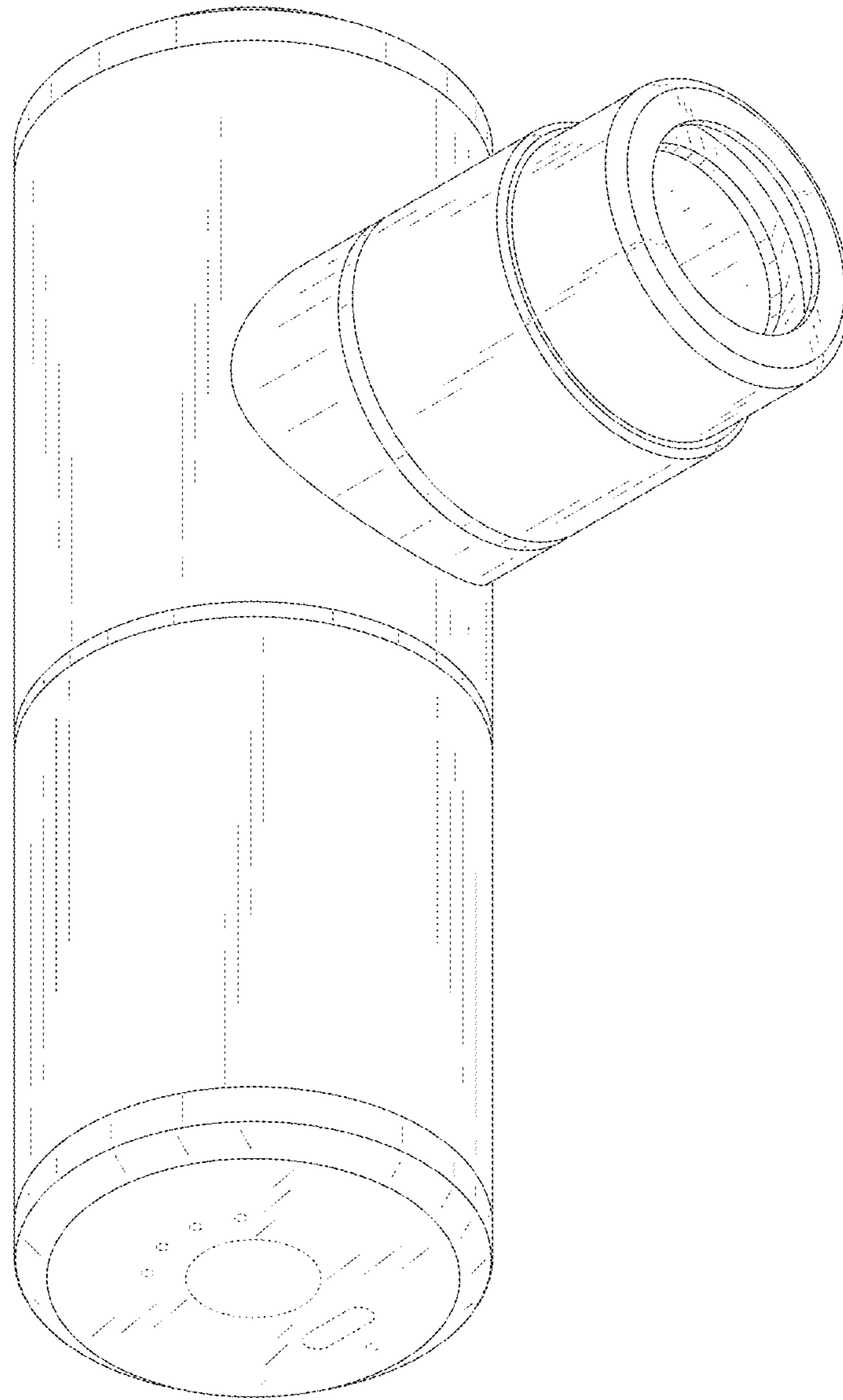


FIG. 2

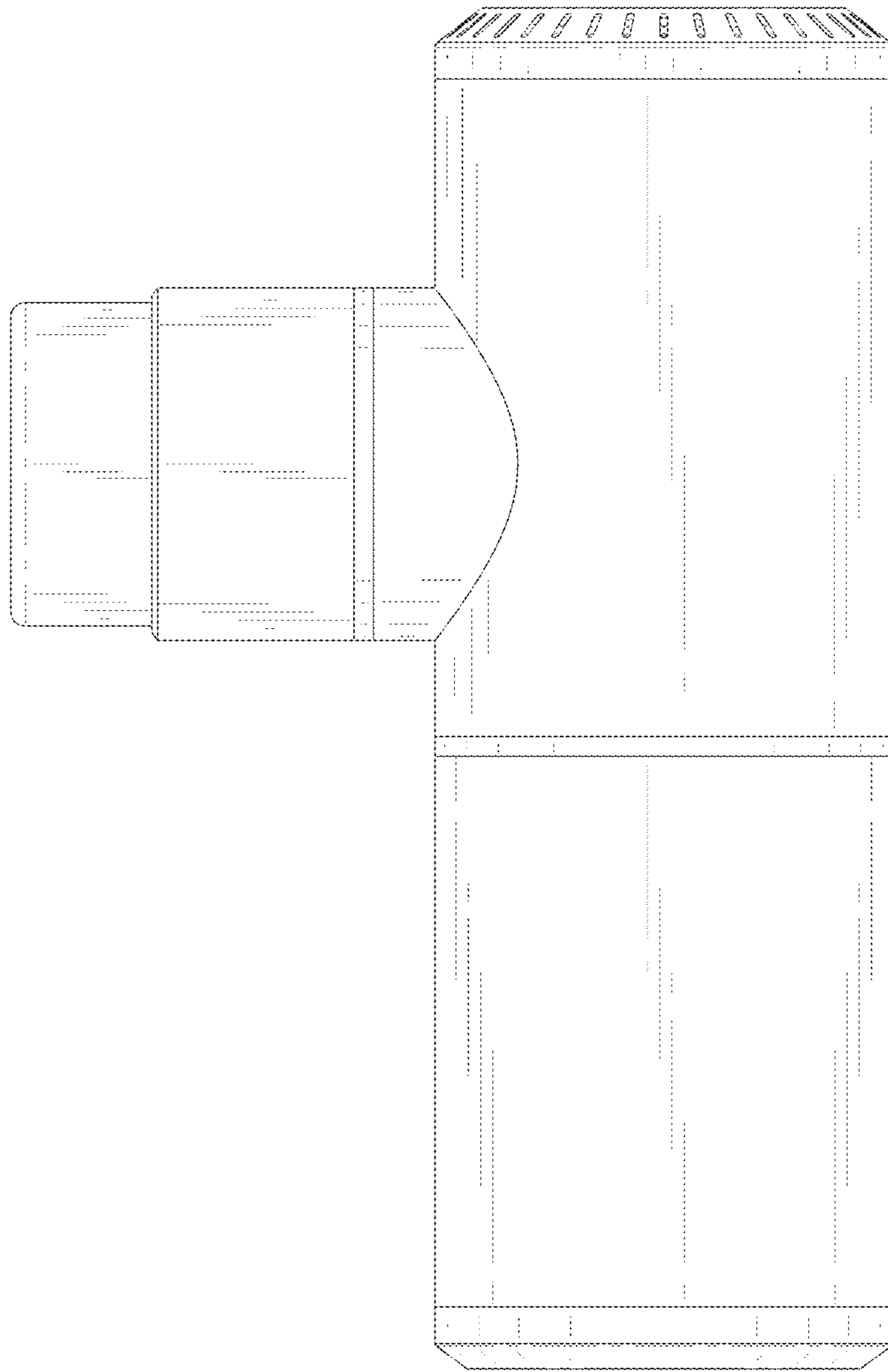


FIG. 3

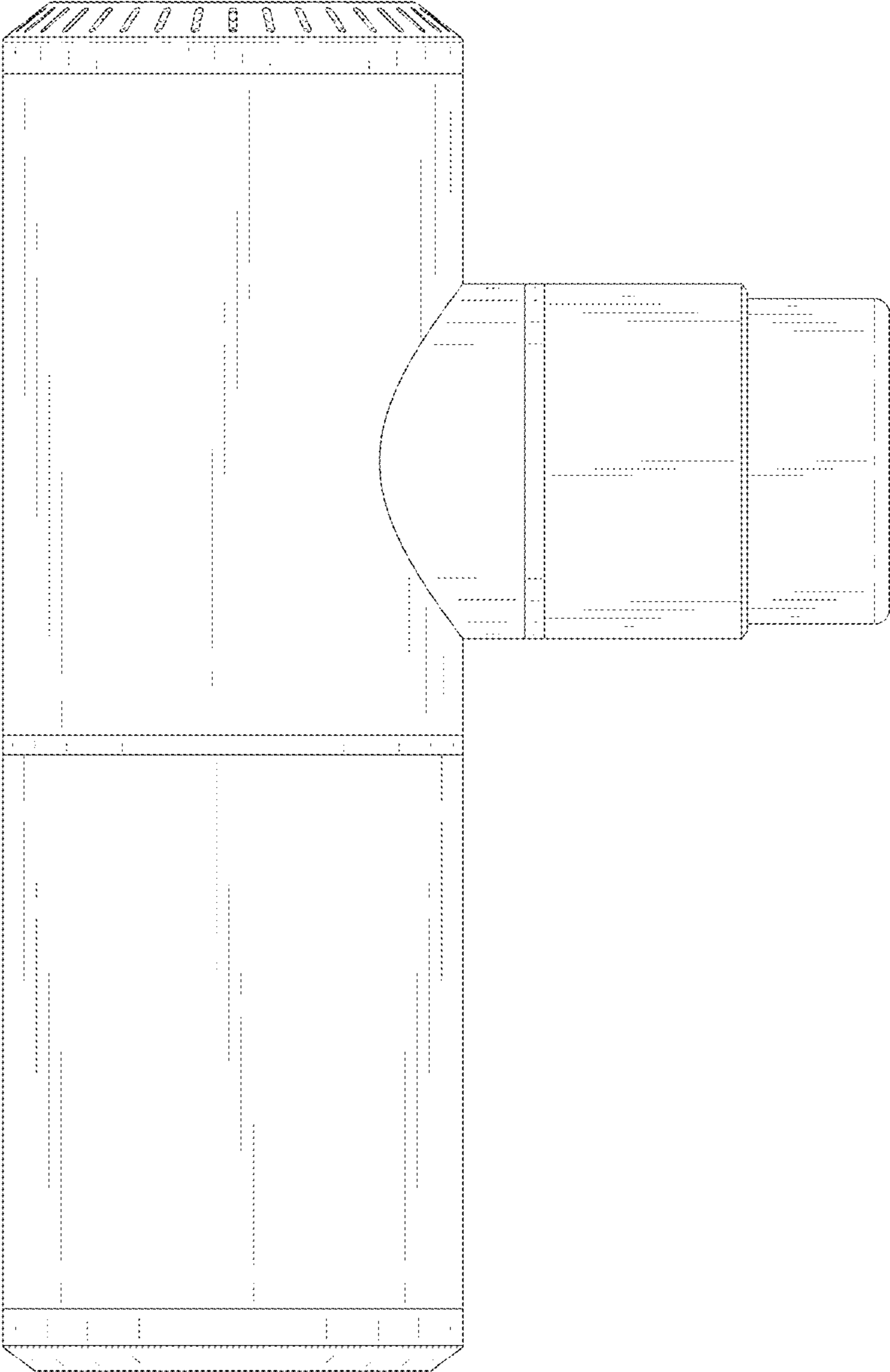


FIG. 4

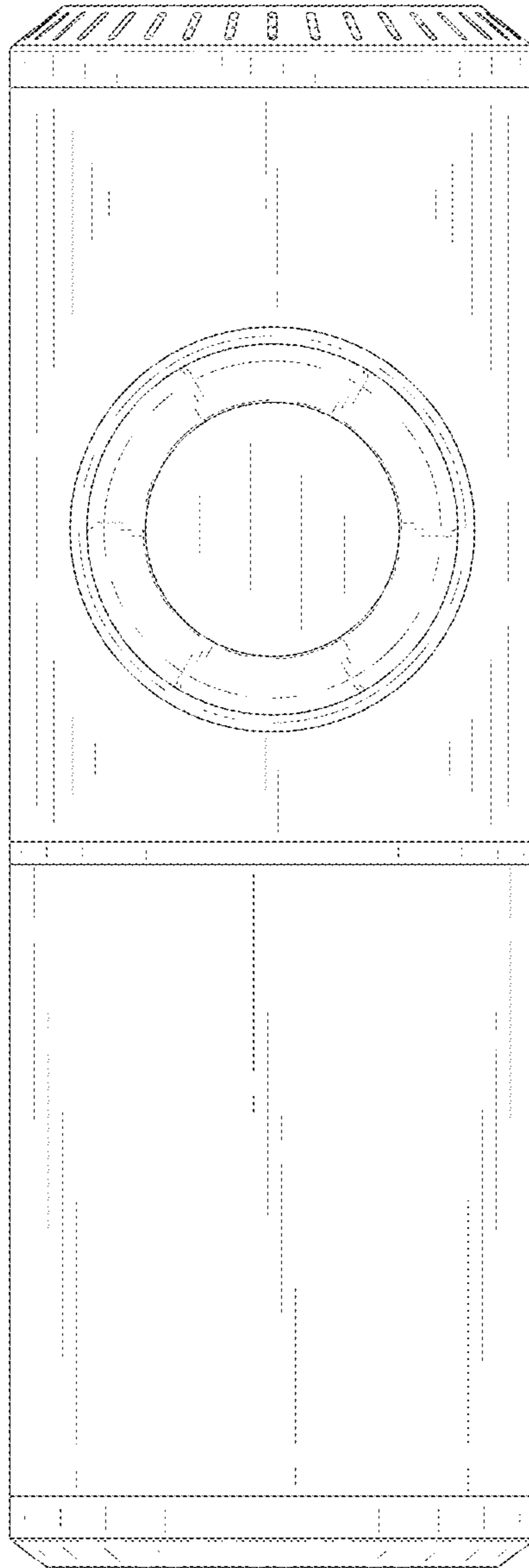
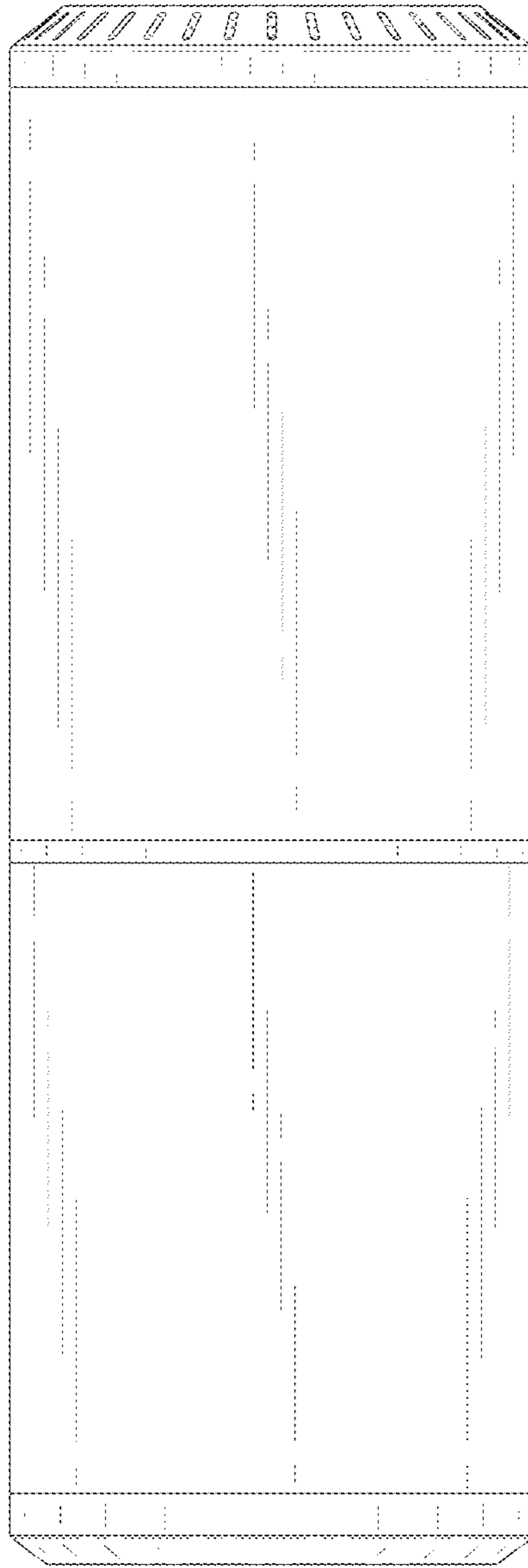
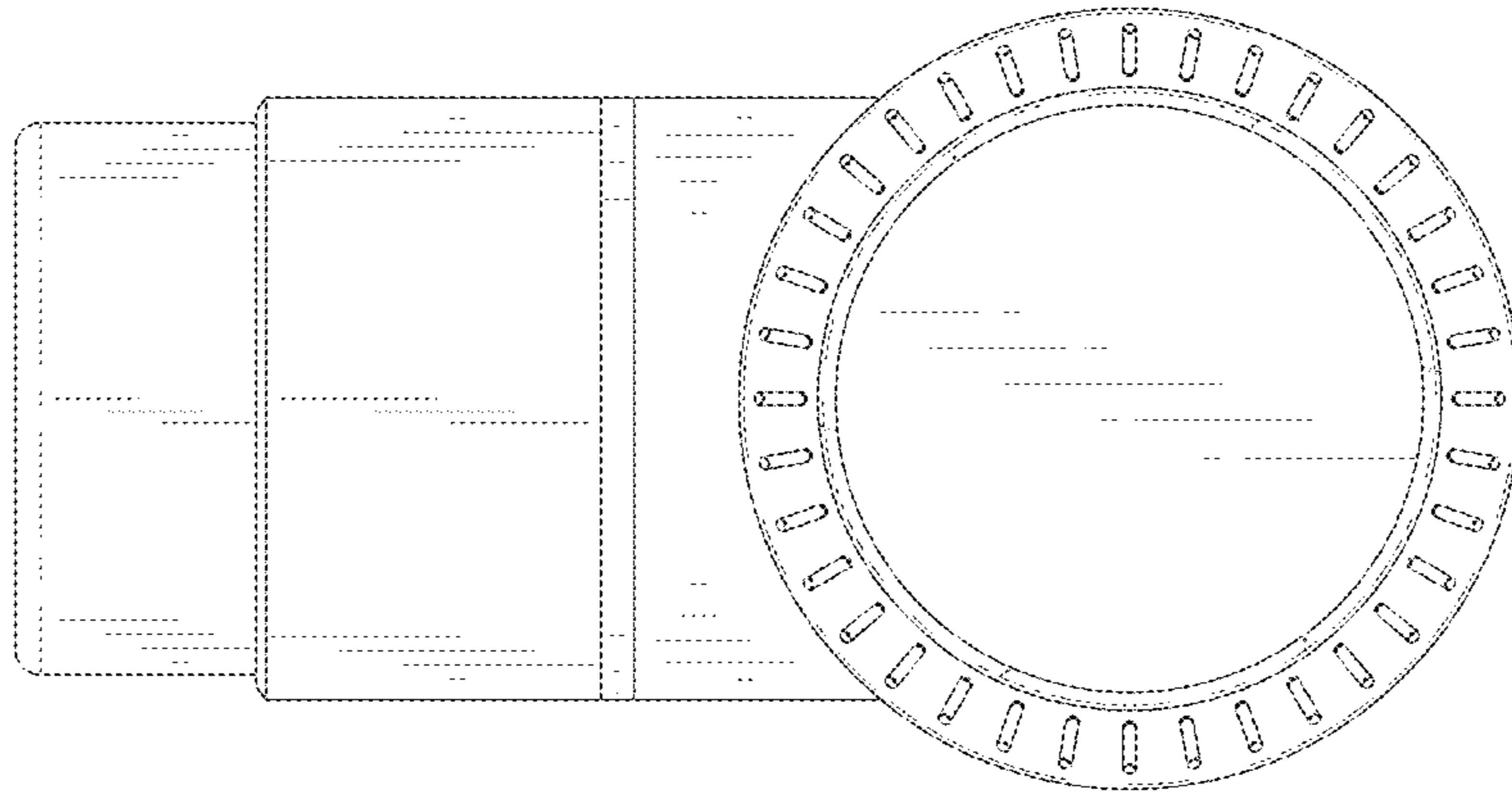


FIG. 5

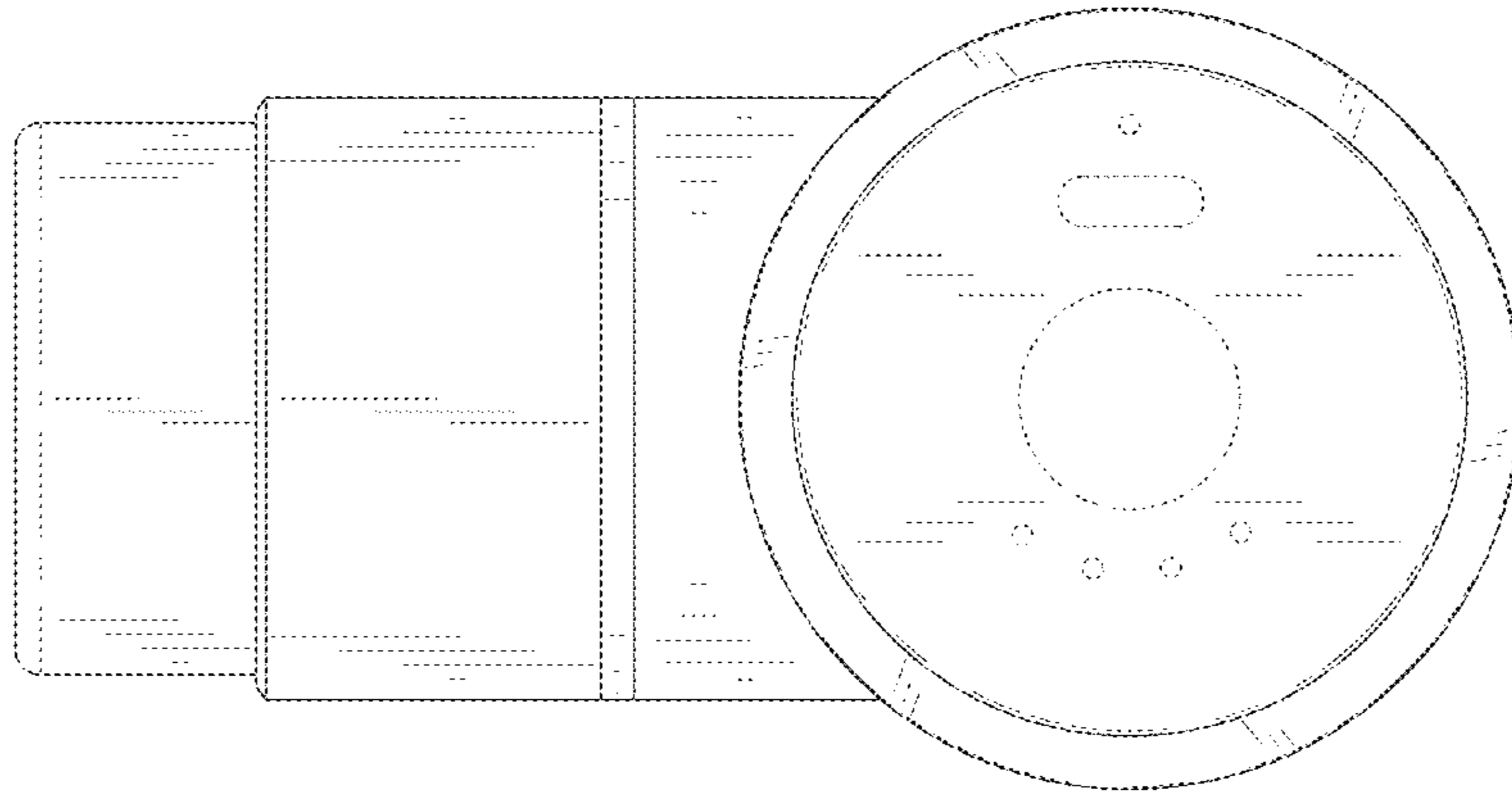


**FIG. 6**



**FIG. 7**





**FIG. 8**