



US00D986431S

(12) **United States Design Patent** (10) **Patent No.:** **US D986,431 S**  
**Cai** (45) **Date of Patent:** **\*\* May 16, 2023**

(54) **VIBRATOR**

(71) Applicant: **Dongguan Jindouyun Silicone Electronics Co., Ltd.**, Dongguan (CN)

(72) Inventor: **Xuefei Cai**, Dongguan (CN)

(\*\*) Term: **15 Years**

(21) Appl. No.: **29/802,069**

(22) Filed: **Aug. 3, 2021**

(51) **LOC (14) Cl.** ..... **24-01**

(52) **U.S. Cl.**  
USPC ..... **D24/215**

(58) **Field of Classification Search**

USPC ..... D24/141, 200, 211, 212, 213, 214, 215  
CPC ..... A61H 19/44; A61H 19/00; A61H 19/32;  
A61H 19/34; A61H 19/40; A61H 19/50;  
A61H 19/30; A61H 2205/08; A61H  
2201/015

See application file for complete search history.

(56) **References Cited**

**U.S. PATENT DOCUMENTS**

D357,984 S *	5/1995	Heck	.....	D24/214
D556,335 S *	11/2007	Hagege	.....	D24/215
D844,803 S *	4/2019	Liu	.....	D24/215
D908,904 S *	1/2021	Liu	.....	D24/215
D924,420 S *	7/2021	Liu	.....	D24/215
D930,180 S *	9/2021	Wang	.....	D24/215
D941,485 S *	1/2022	Wu	.....	D24/215
D949,403 S *	4/2022	Preobrazhenskaia	.....	D24/215
D949,405 S *	4/2022	Yuan	.....	D24/215
D967,974 S *	10/2022	Fu	.....	D24/215
D968,634 S *	11/2022	Zhou	.....	D24/215

**OTHER PUBLICATIONS**

Sexplay, "Remote Control Bullet Vibrator", Access Date: Dec. 20, 2022. <https://sexyplay.com.au/products/pretty-love-leshy-remote-control-vibrating-egg> (Year: 2022).\*

\* cited by examiner

*Primary Examiner* — Michael A Maharajh

(74) *Attorney, Agent, or Firm* — Daniel M. Cohn;  
Howard M. Cohn

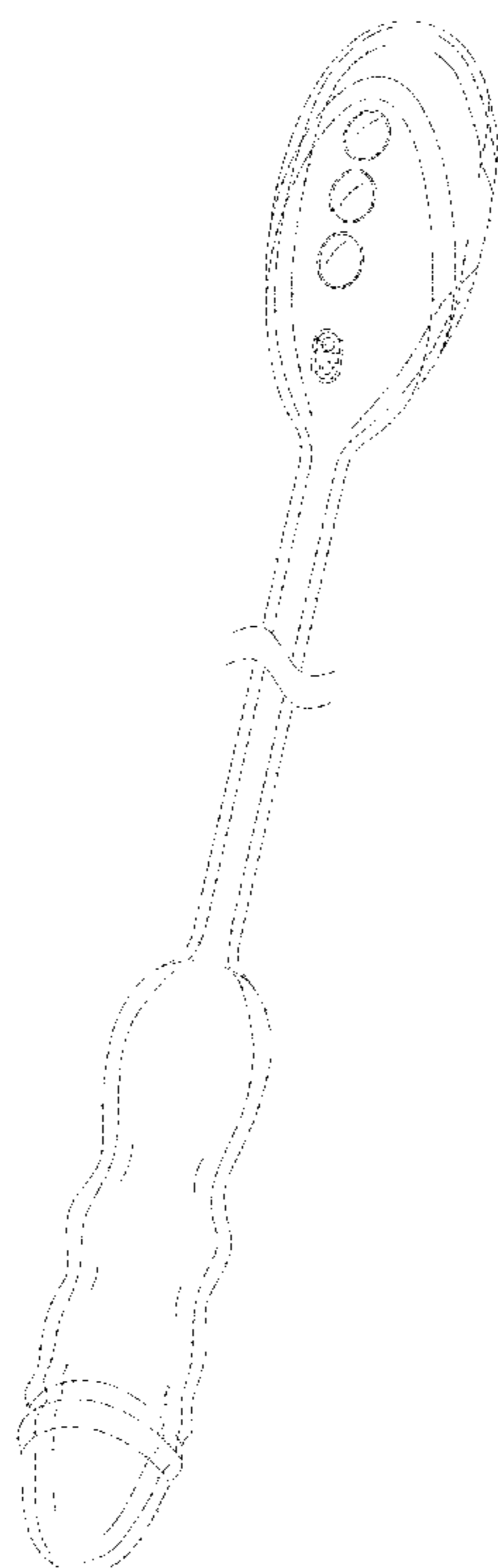
(57) **CLAIM**

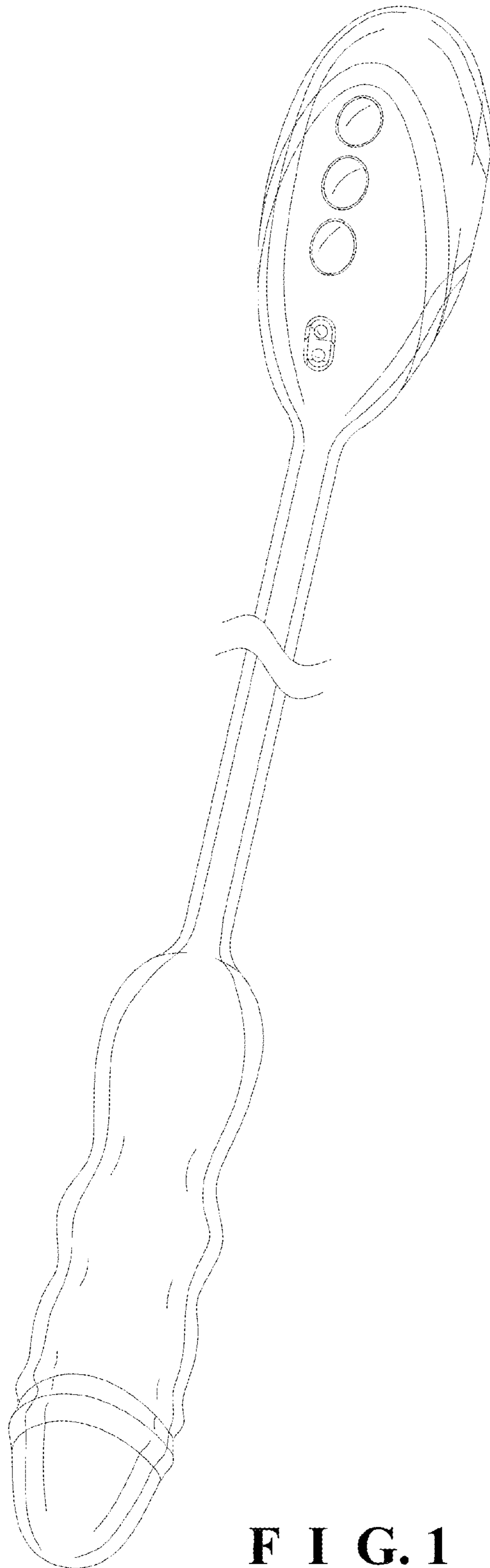
The ornamental design for a vibrator, as shown and described.

**DESCRIPTION**

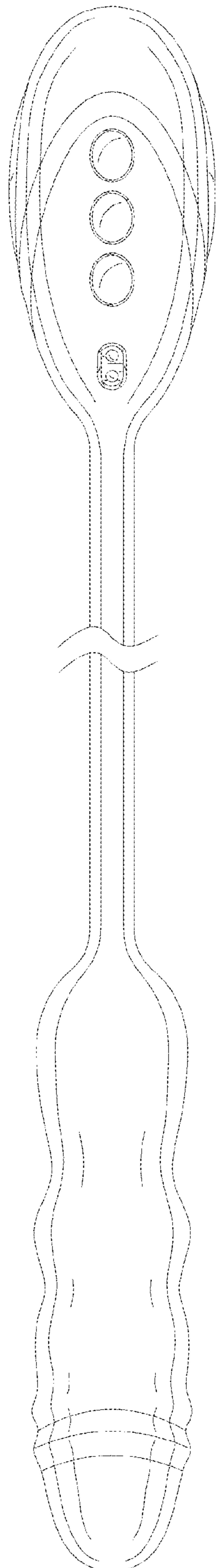
FIG. 1 is a perspective view of a vibrator showing my present design;  
FIG. 2 is a front view thereof;  
FIG. 3 is a rear view thereof;  
FIG. 4 is a left side view thereof;  
FIG. 5 is a right side view thereof;  
FIG. 6 is a top view thereof; and,  
FIG. 7 is a bottom view thereof.  
The broken lines in the drawings illustrate portions of the vibrator which form no part of the claimed design.  
The waved lines shown in the middle portion of the vibrator indicate the appearance of any portion of the article between the break lines forms no part of the claimed design.

**1 Claim, 7 Drawing Sheets**

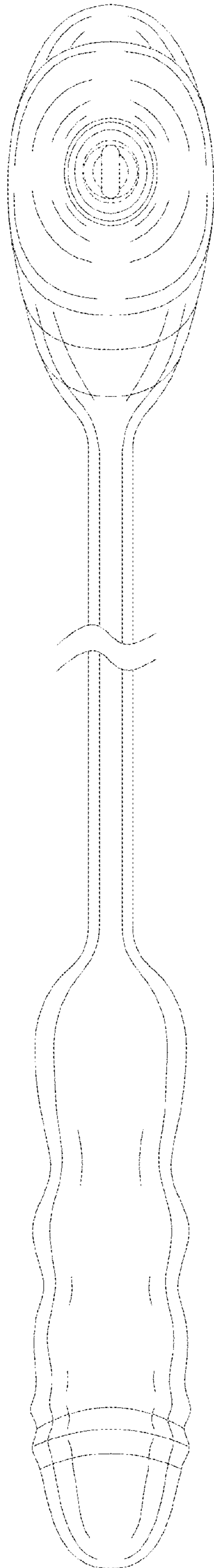




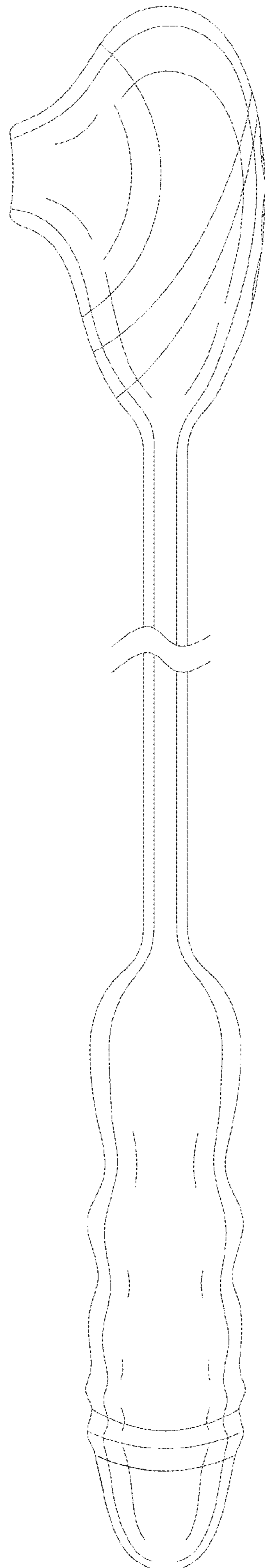
**F I G. 1**



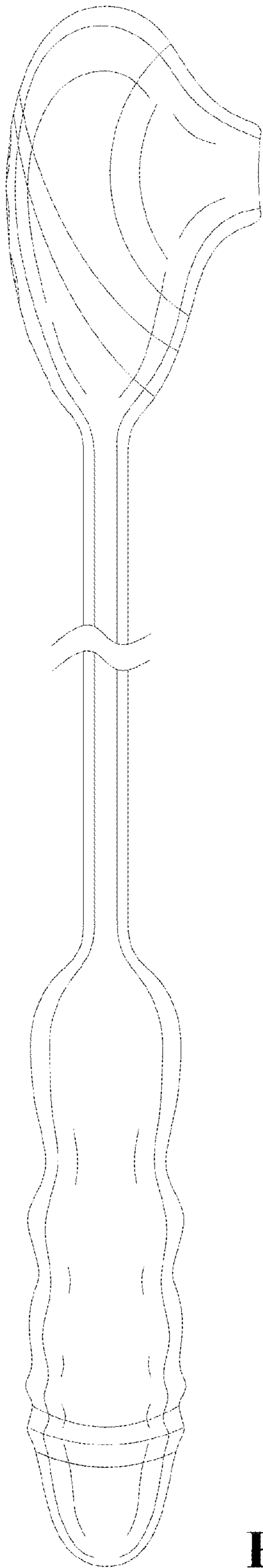
**F I G. 2**



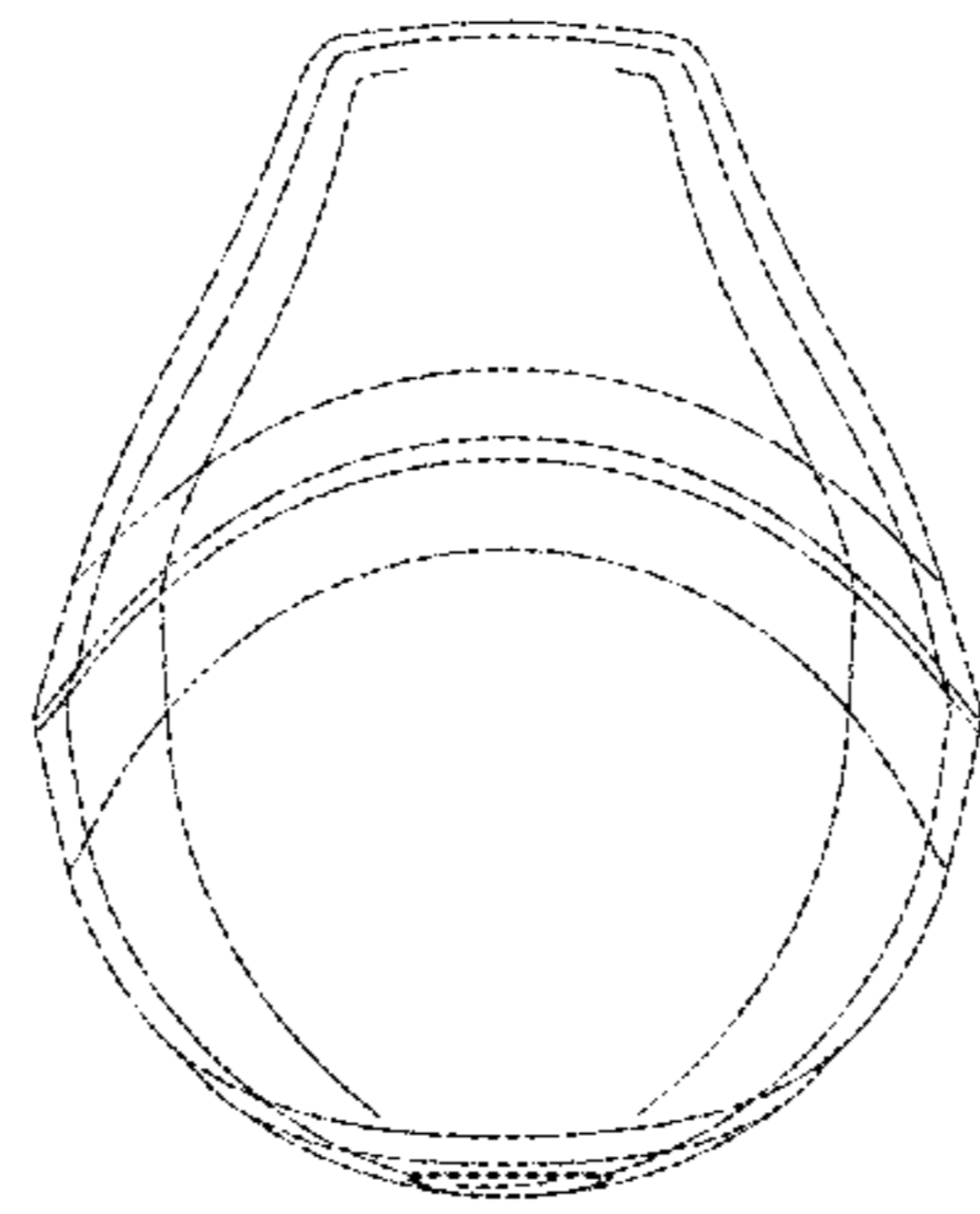
**F I G. 3**



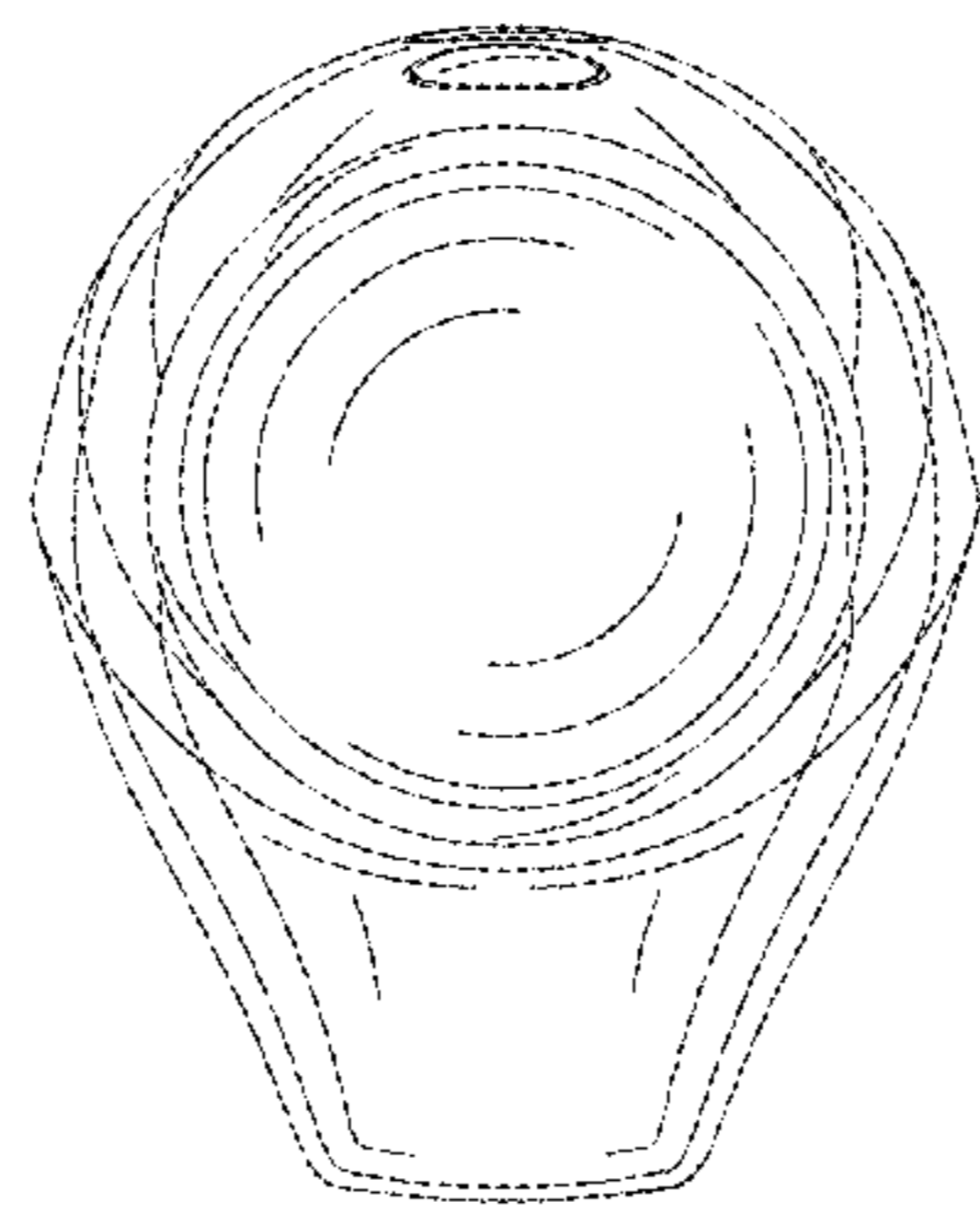
**F I G . 4**



**F I G. 5**



**F I G. 6**



**F I G . 7**