



US00D986430S

(12) **United States Design Patent** (10) **Patent No.:** **US D986,430 S**
Jin (45) **Date of Patent:** **** May 16, 2023**

(54) **MESSAGE GUN**
(71) Applicant: **Chunjun Jin**, Ningbo (CN)
(72) Inventor: **Chunjun Jin**, Ningbo (CN)
(**) Term: **15 Years**

D948,068 S * 4/2022 Xu D24/215
D949,379 S * 4/2022 Xu D24/215
D949,381 S * 4/2022 Kong D24/215
D949,384 S * 4/2022 Liang D24/215
D958,392 S * 7/2022 Meng D24/215
D972,159 S * 12/2022 Yu D24/215

(21) Appl. No.: **29/794,007**
(22) Filed: **Jun. 9, 2021**
(51) **LOC (14) Cl.** **24-01**
(52) **U.S. Cl.**
USPC **D24/215**
(58) **Field of Classification Search**
USPC D24/200, 211, 212, 213, 214, 215;
D8/14.1; D28/13
CPC A61H 23/006; A61H 7/005; A61H
2201/0153; A61H 2201/0157; A61H
23/00; A61H 15/0085
See application file for complete search history.

OTHER PUBLICATIONS

Amazon, "Everfit Percussive Massage Gun", May 5, 2020. <https://www.amazon.com.au/Everfit-Percussive-Handheld-Percussion-Vibration/dp/B08837KFDH?th=1> (Year: 2020).*

* cited by examiner

Primary Examiner — Michael A Maharajh

(57) **CLAIM**
The ornamental design for a massage gun, as shown and described.

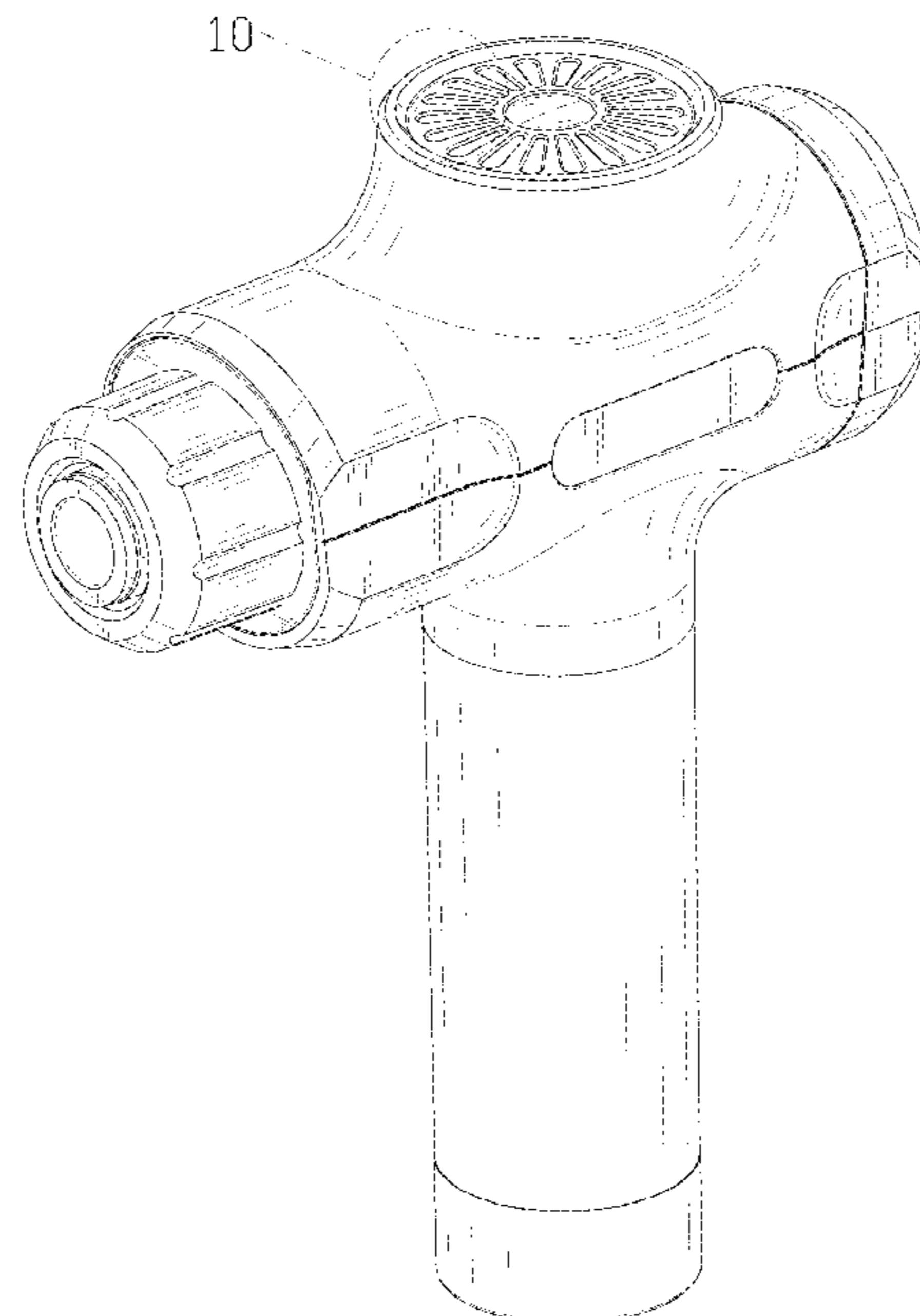
DESCRIPTION

FIG. 1 is a perspective view of a massage gun showing my new design;
FIG. 2 is another perspective view thereof;
FIG. 3 is a front elevational view thereof;
FIG. 4 is a rear elevational view thereof;
FIG. 5 is a left side elevational view thereof;
FIG. 6 is a right side elevational view thereof;
FIG. 7 is a top plan view thereof;
FIG. 8 is a bottom plan view thereof;
FIG. 9 is a perspective view of the massage gun where the massage gun is in a configuration of use; and,
FIG. 10 is an enlarged view of portion 10 shown in FIG. 1. The dash-dot broken lines shown in FIGS. 1 and 10 are for the purpose of showing enlarged areas, and form no part of the claimed design.
The broken lines in the drawings depict portions of the massage gun that form no part of the claimed design.

(56) **References Cited**
U.S. PATENT DOCUMENTS

D855,822 S * 8/2019 Marton D24/215
D895,831 S * 9/2020 Chen D24/215
D907,230 S * 1/2021 Zhang D24/215
D923,188 S * 6/2021 Xu D24/211
D923,194 S * 6/2021 Xu D24/215
D926,333 S * 7/2021 Zhang D24/215
D928,338 S * 8/2021 Hu D24/215
D932,039 S * 9/2021 Yu D24/215
D933,845 S * 10/2021 Zheng D24/215
D934,440 S * 10/2021 Zheng D24/214
D934,441 S * 10/2021 Zhang D24/215
D935,636 S * 11/2021 Luo D24/215
D935,637 S * 11/2021 Li D24/215
D938,056 S * 12/2021 Wu D24/215
D939,103 S * 12/2021 Xu D24/215
D945,007 S * 3/2022 Liu D24/215

1 Claim, 10 Drawing Sheets



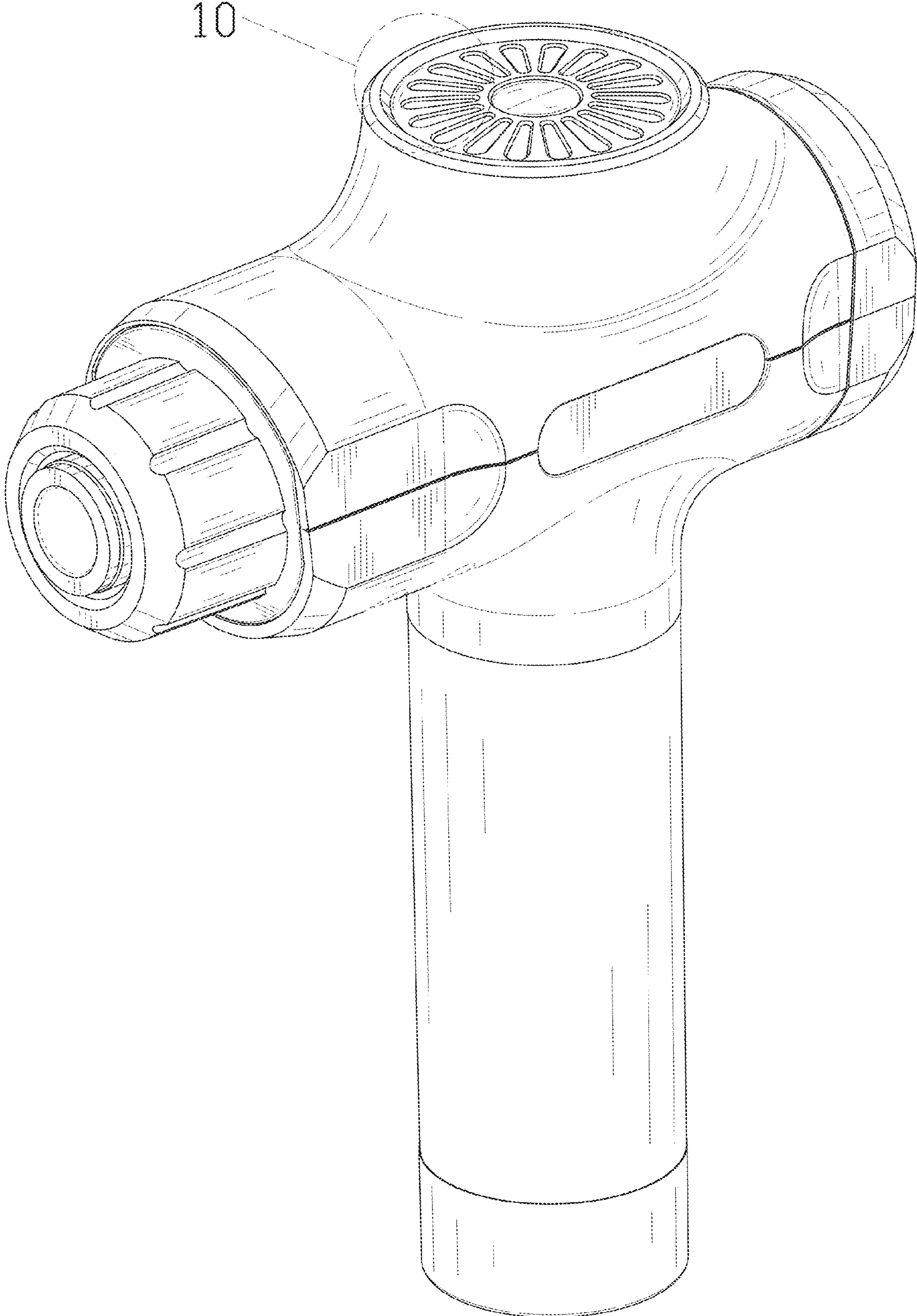


FIG. 1

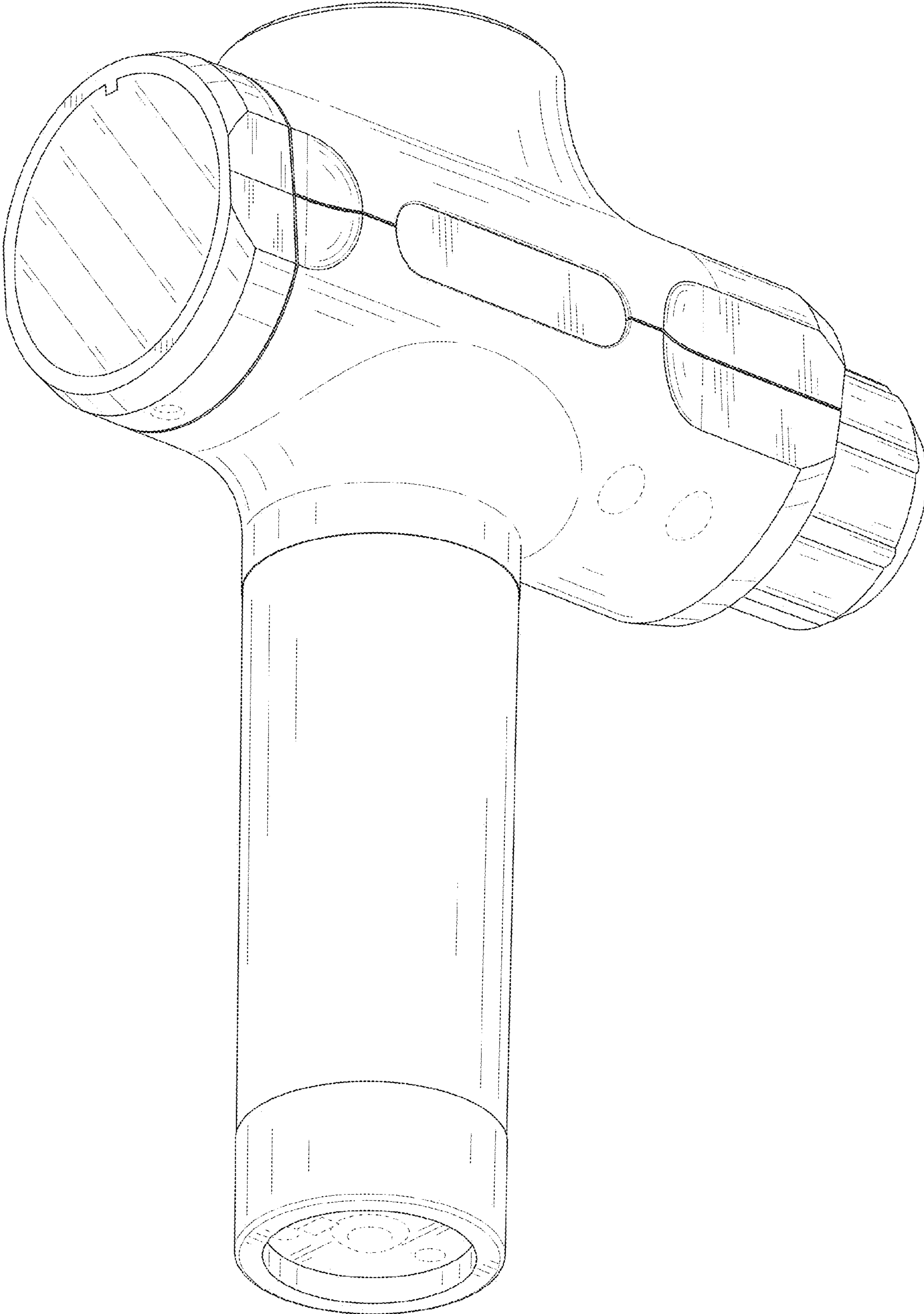


FIG. 2

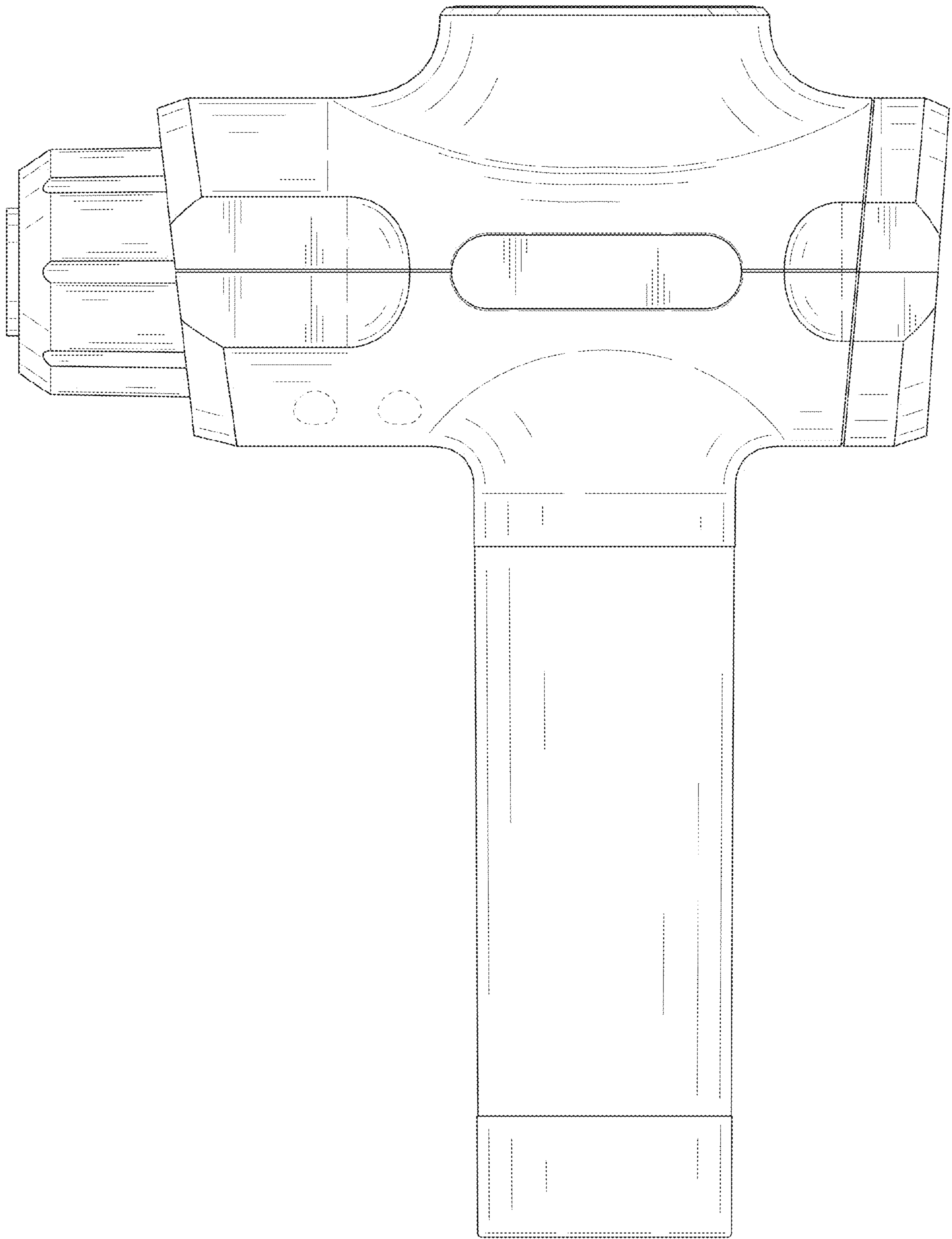


FIG. 3

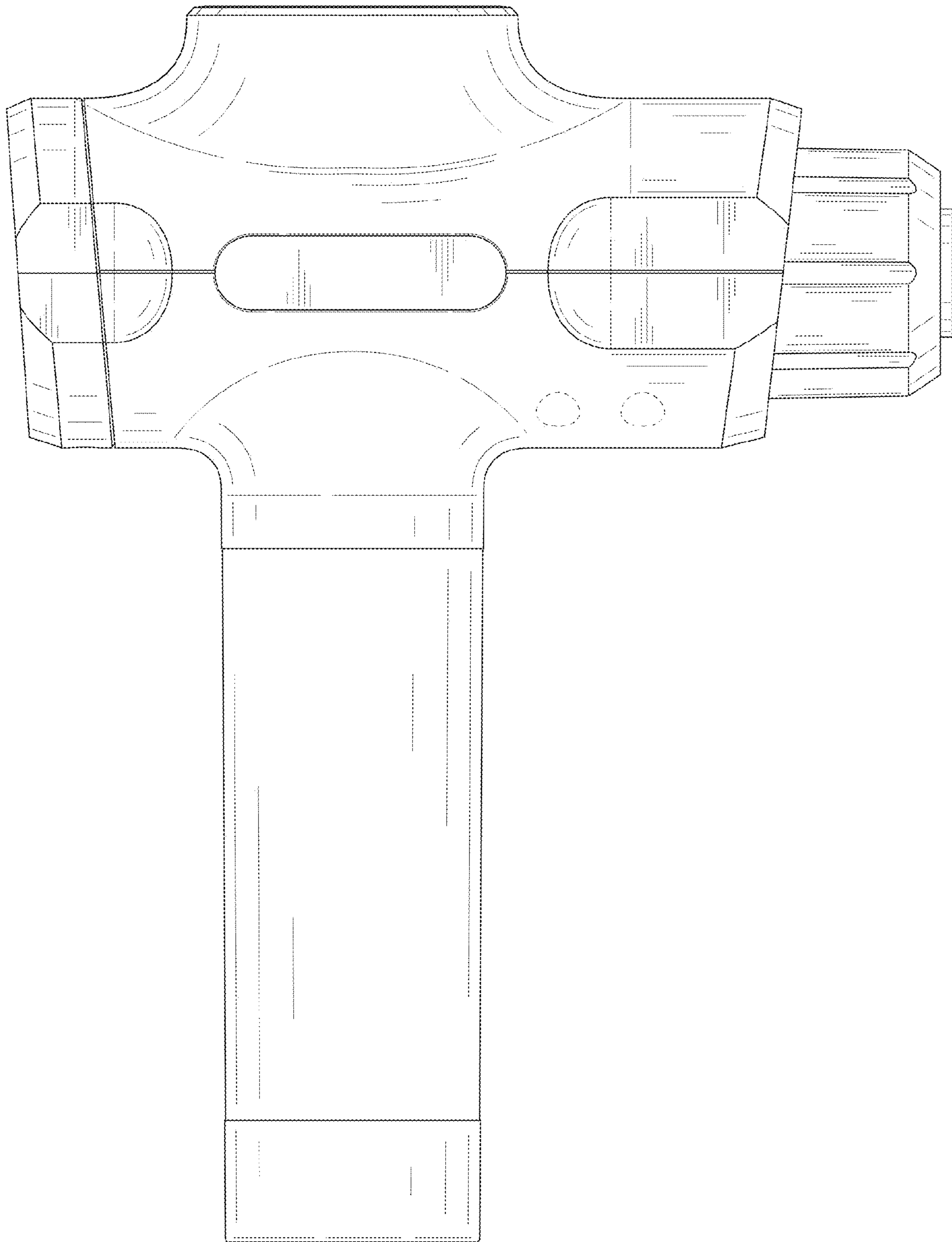


FIG. 4

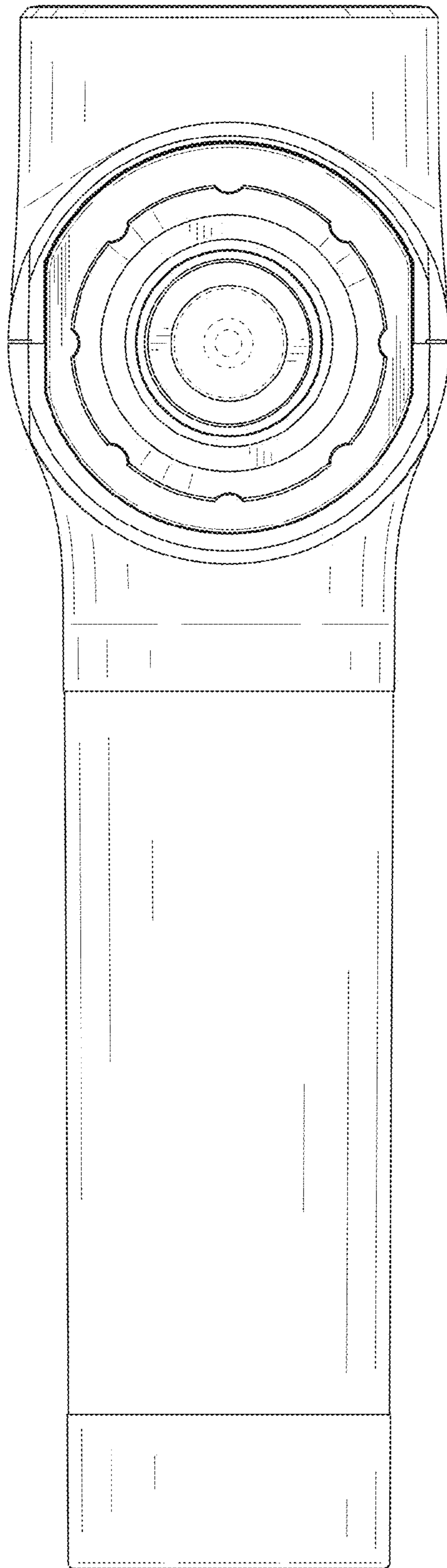


FIG. 5

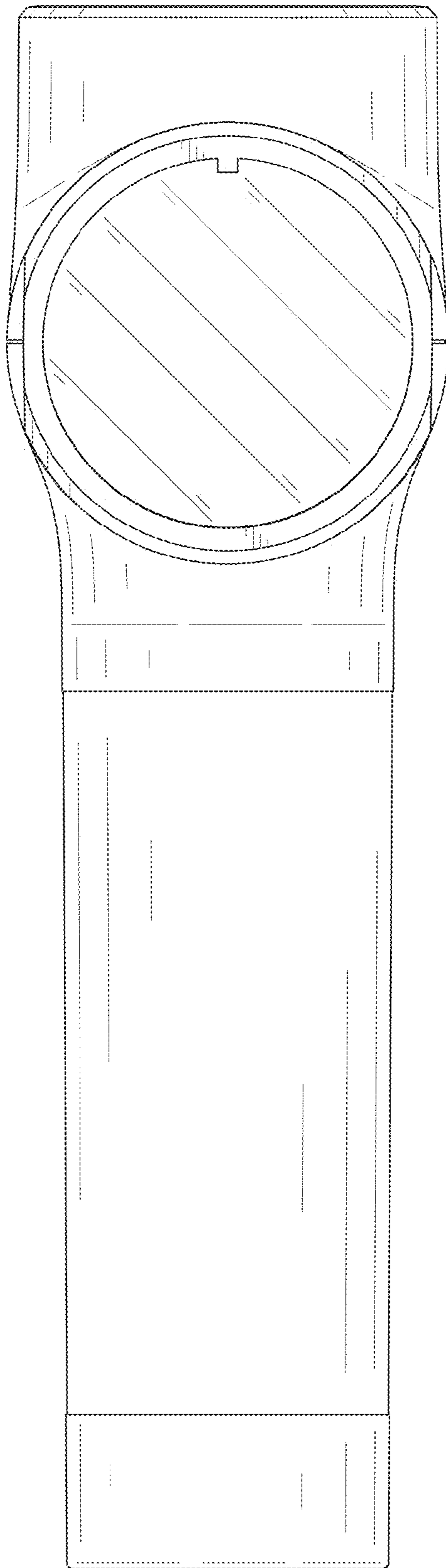


FIG. 6

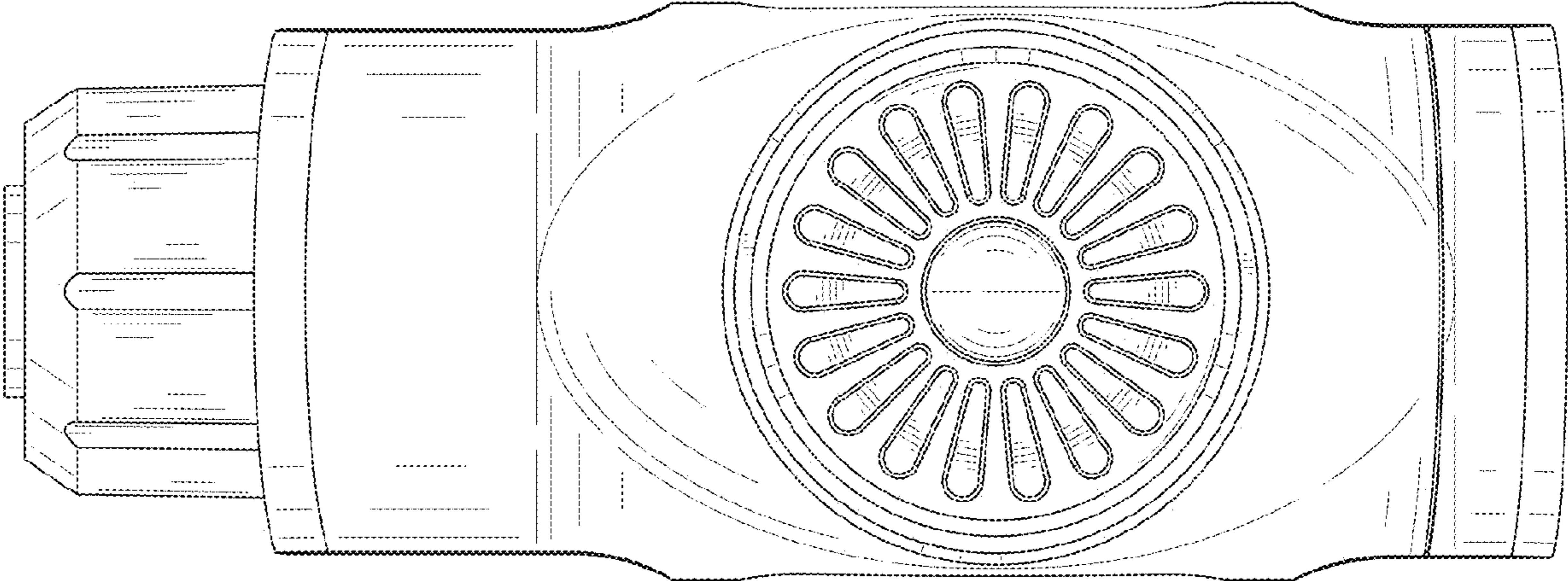


FIG. 7

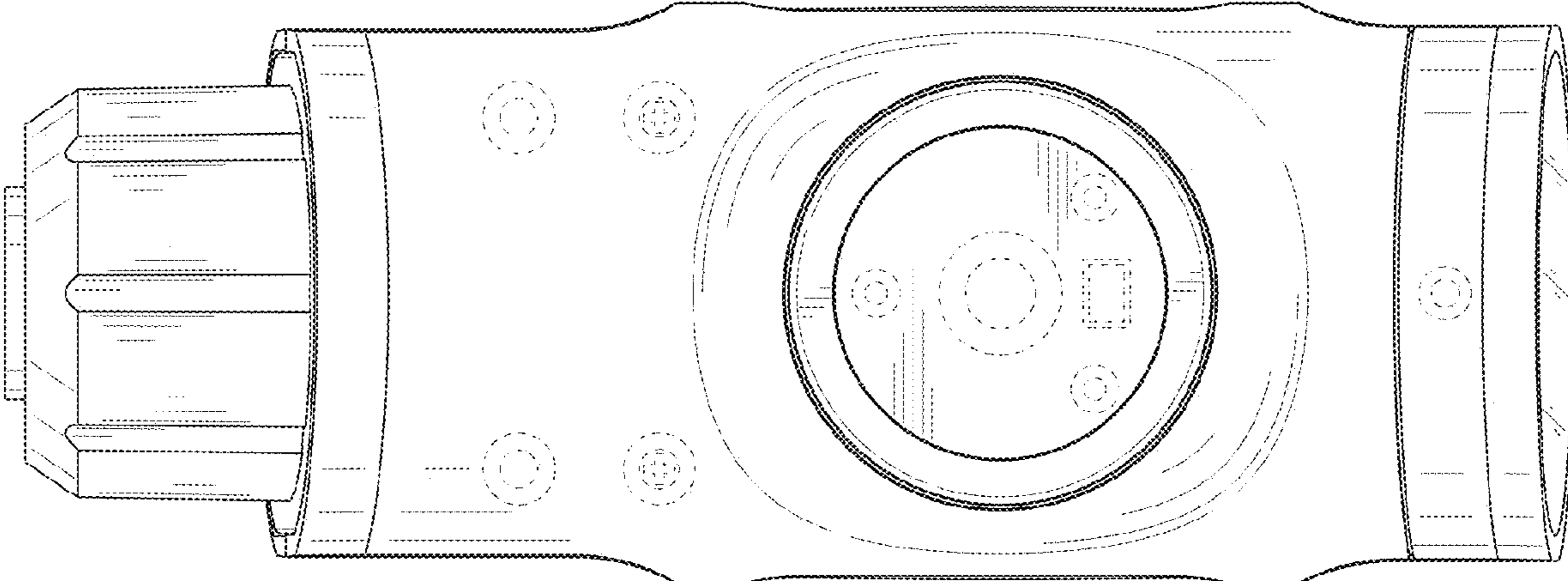


FIG. 8

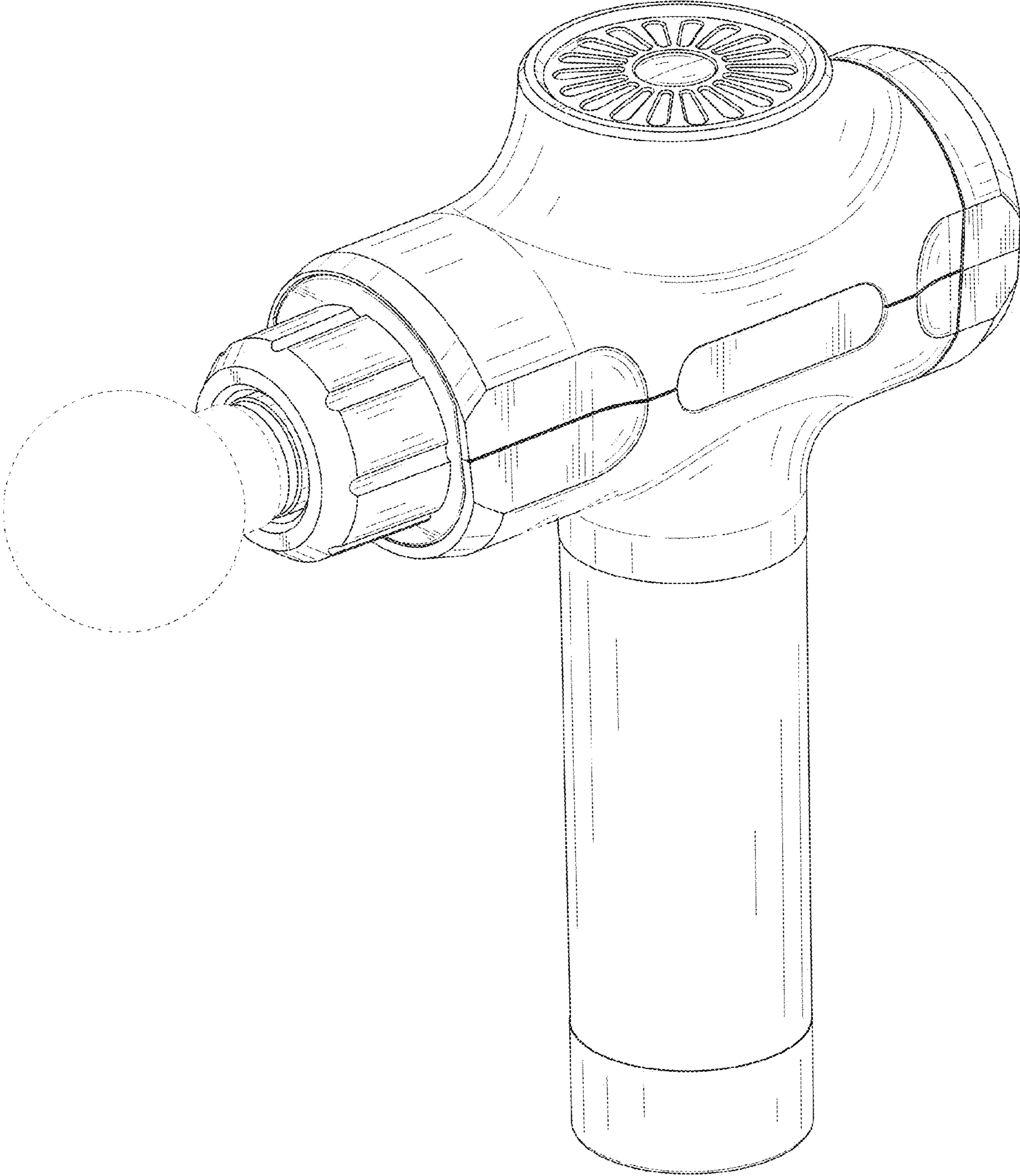


FIG. 9

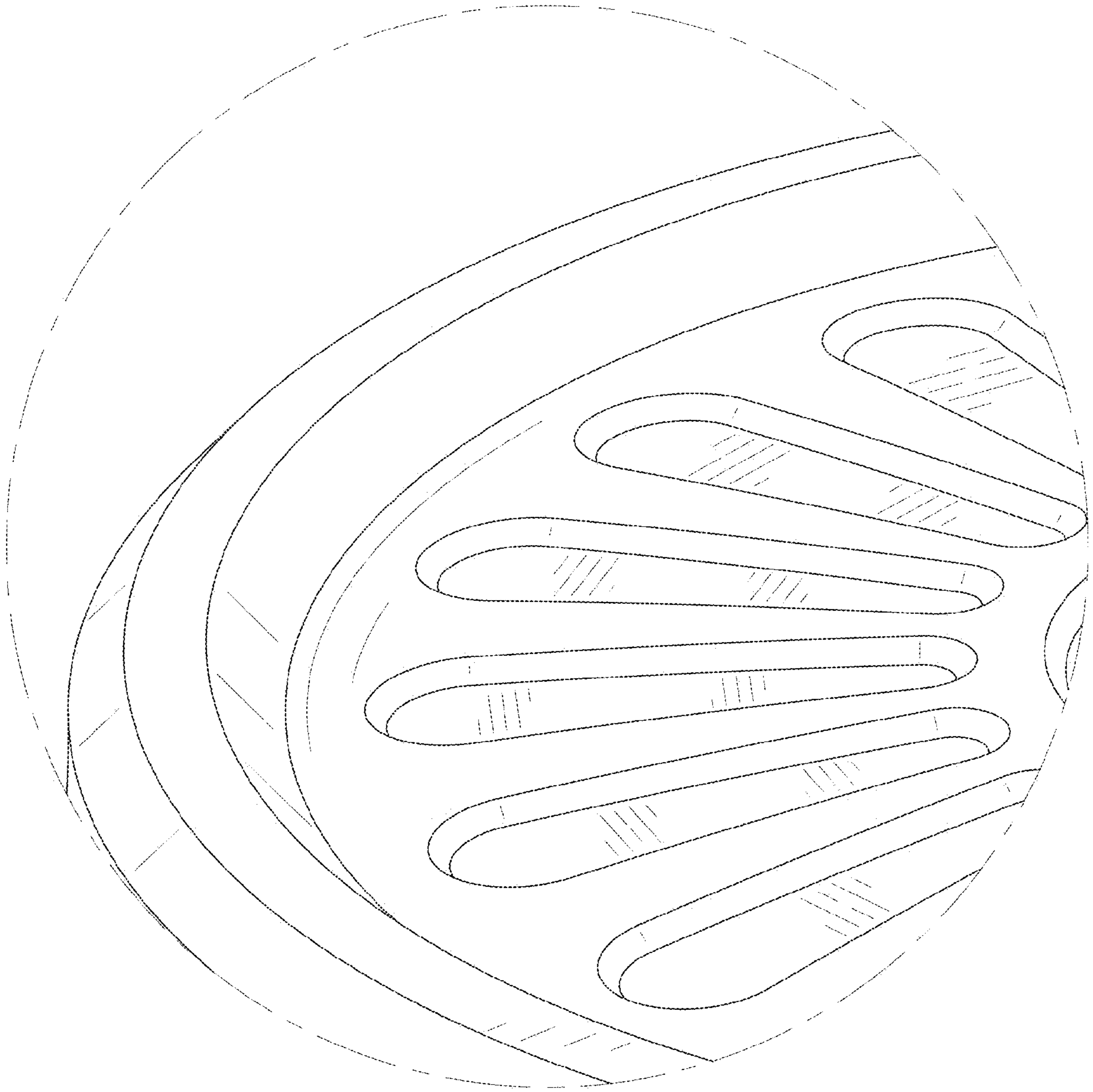


FIG. 10