



US00D986428S

(12) **United States Design Patent**  
**Ma**

(10) **Patent No.:** **US D986,428 S**

(45) **Date of Patent:** **\*\* May 16, 2023**

(54) **MESSAGE DEVICE**

(71) Applicant: **Shenzhen Cat Paw Print Technology Co., Ltd.**, Shenzhen (CN)

(72) Inventor: **Zhanbo Ma**, Wugang (CN)

(73) Assignee: **Shenzhen Cat Paw Print Technology Co., Ltd.**, Shenzhen (CN)

(\*\*) Term: **15 Years**

(21) Appl. No.: **29/778,761**

(22) Filed: **Apr. 14, 2021**

(30) **Foreign Application Priority Data**

Jan. 29, 2021 (CN) ..... 202130064478.1

(51) **LOC (14) Cl.** ..... **28-03**

(52) **U.S. Cl.**  
USPC ..... **D24/215**

(58) **Field of Classification Search**  
USPC ..... D24/215, 200, 211, 212, 213, 214, 133,  
D24/107, 231, 184, 209, 206; D8/14.1,  
D8/61; D28/12, 13  
CPC ..... A61H 7/00; A61H 7/003; A61H 7/004;  
A61H 9/00; A61H 15/00; A61H  
2015/0007; A61H 2015/0042; A61H  
2015/0071; A61H 15/0078; A61H  
15/0085; A61H 15/0092; A61H 23/00;  
A61H 23/02  
See application file for complete search history.

(56) **References Cited**

**U.S. PATENT DOCUMENTS**

D248,048 S \* 5/1978 Cousins ..... D28/13  
D403,075 S \* 12/1998 Lie ..... D24/215  
D653,393 S \* 1/2012 Oh ..... D28/13  
D796,037 S \* 8/2017 Becker ..... D24/133

D895,132 S \* 9/2020 Hu ..... D24/215  
D912,267 S \* 3/2021 Tang ..... D24/215  
D918,411 S \* 5/2021 Xu ..... D24/215  
D924,424 S \* 7/2021 Wang ..... D24/215  
D932,045 S \* 9/2021 Shen ..... D24/215  
D949,411 S \* 4/2022 Chen ..... D24/215  
D949,412 S \* 4/2022 Chen ..... D24/215

**OTHER PUBLICATIONS**

Bob and Brad—Mini Pocket-Sized Muscle Massage Gun. Date: Dec. 22, 2020. [online]. [Site visited Nov. 14, 2022]. Available from Internet URL: <https://www.amazon.co.uk/dp/B08M8YSFC7/> (Year: 2020).\*

Massage guns. (Design—© Questel) orbit.com. [Online PDF compilation of references selected] 57 pgs. Print Dates Range Dec. 1, 2020-Jan. 4, 2022 [Retrieved Nov. 14, 2022] <https://www.orbit.com/export/UCZAH96B/pdf4/91e9f06a-0abc-4404-af2e-459892f953ab-162018.pdf> (Year: 2022).\*

\* cited by examiner

*Primary Examiner* — Eliza Z Harvey

*Assistant Examiner* — Landon Thomas Cassell

(57) **CLAIM**

The ornamental design for a massage device, as shown and described.

**DESCRIPTION**

FIG. 1 is a perspective view of a massage device showing my new design;

FIG. 2 is a front view thereof;

FIG. 3 is a rear view thereof;

FIG. 4 is a left side view thereof;

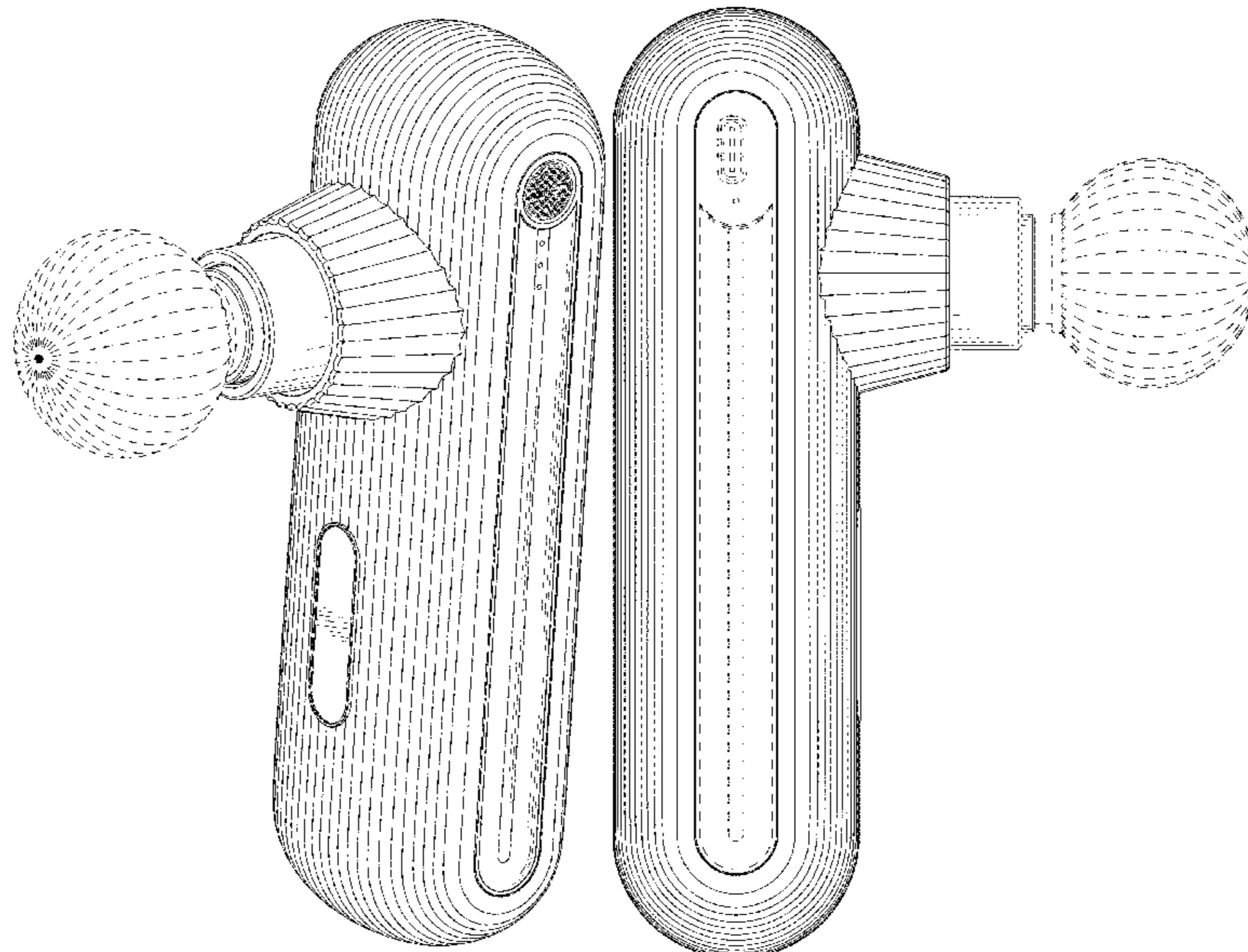
FIG. 5 is a right side view thereof;

FIG. 6 is a top plan view thereof; and,

FIG. 7 is a bottom plan view thereof.

The broken lines depict portions of the massage device and form no part of the claimed design.

**1 Claim, 7 Drawing Sheets**



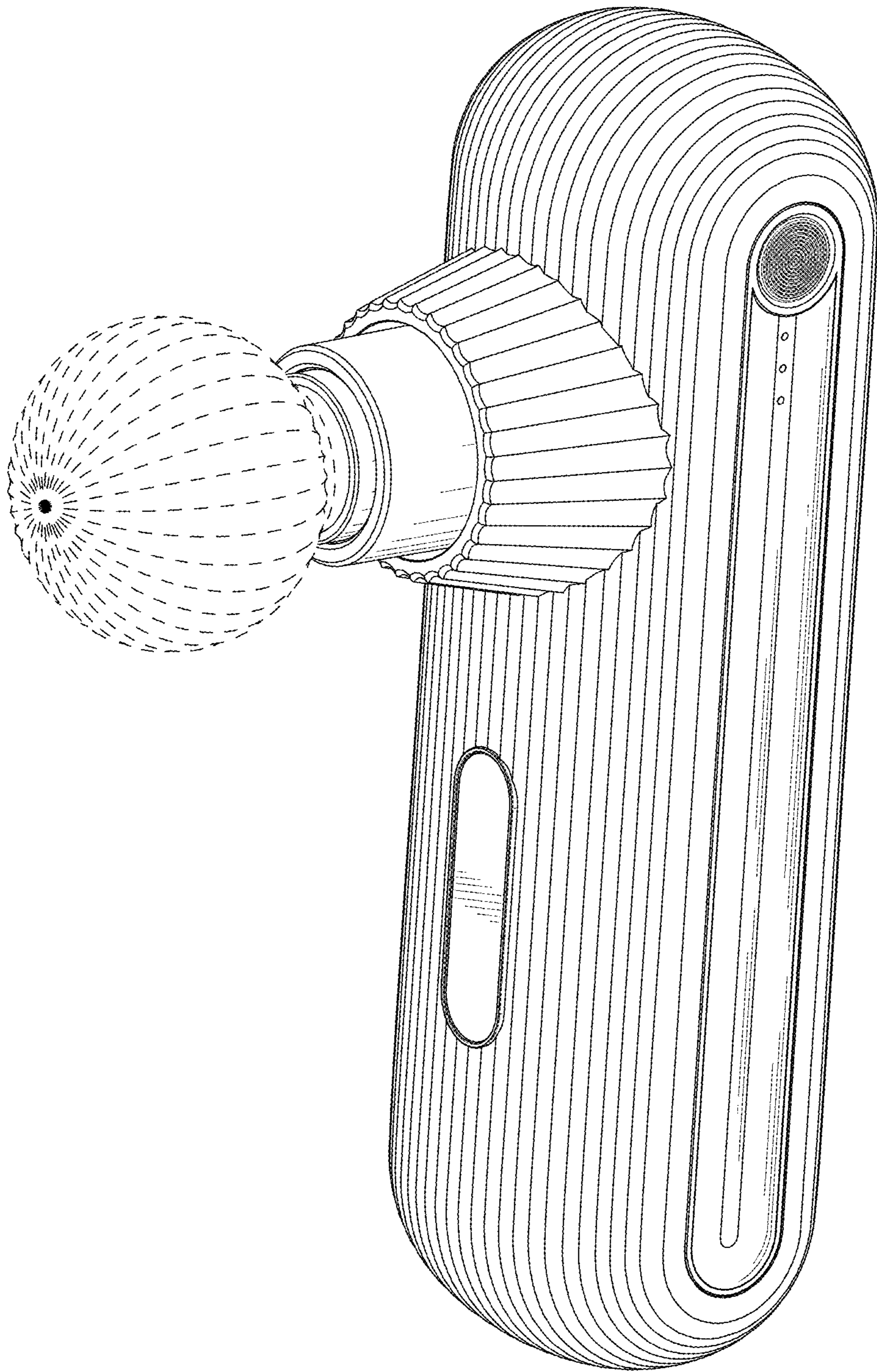


FIG. 1



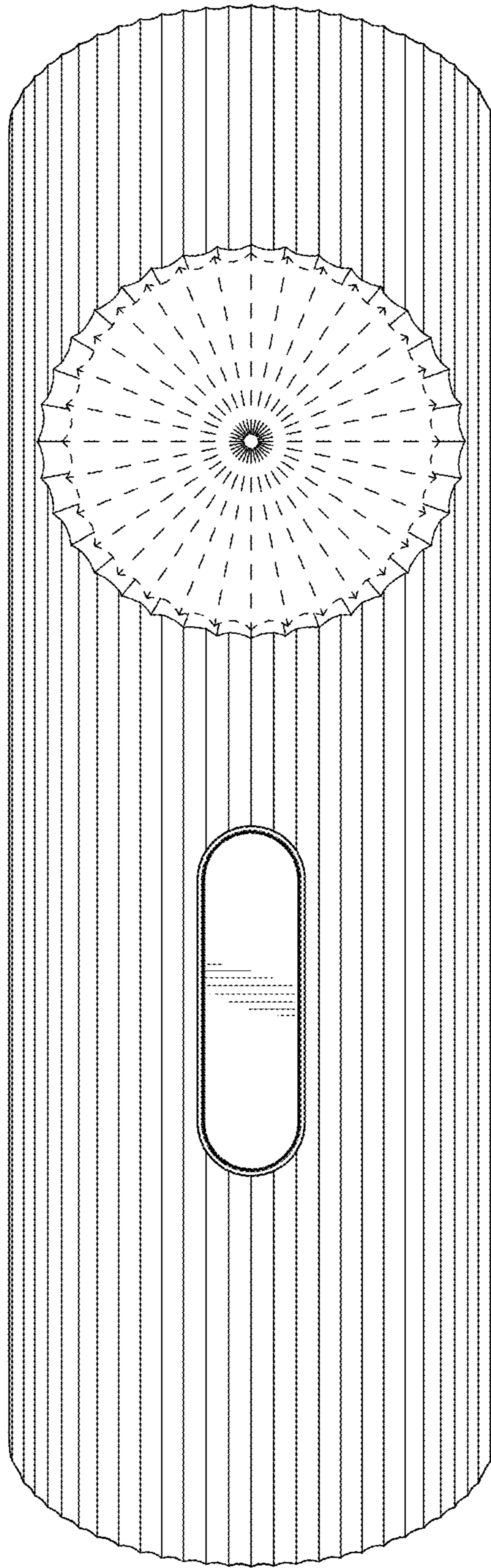


FIG. 2

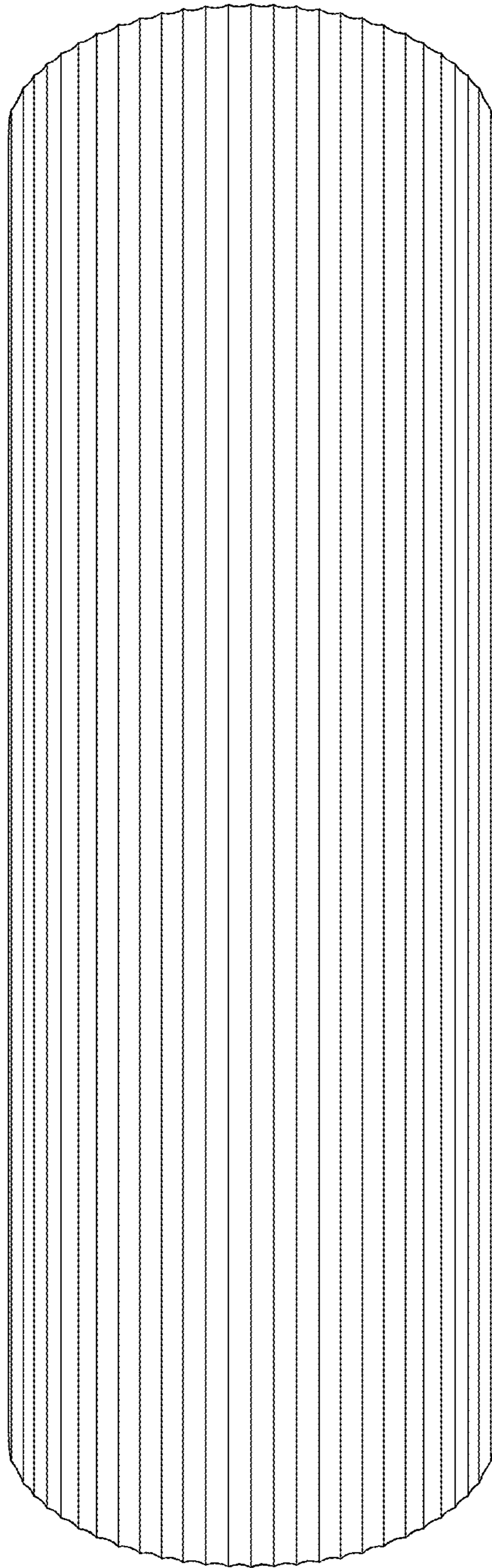


FIG. 3

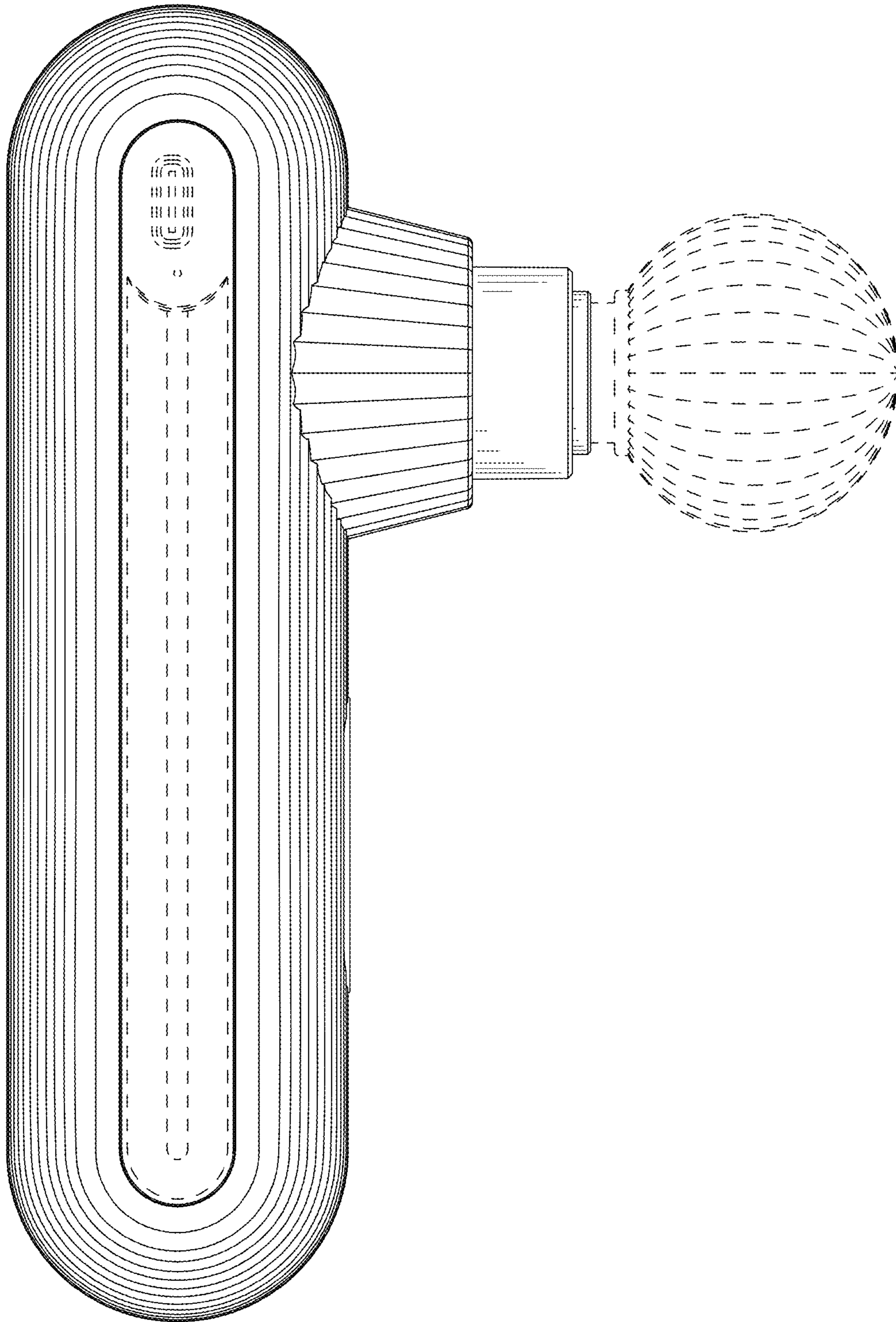


FIG. 4



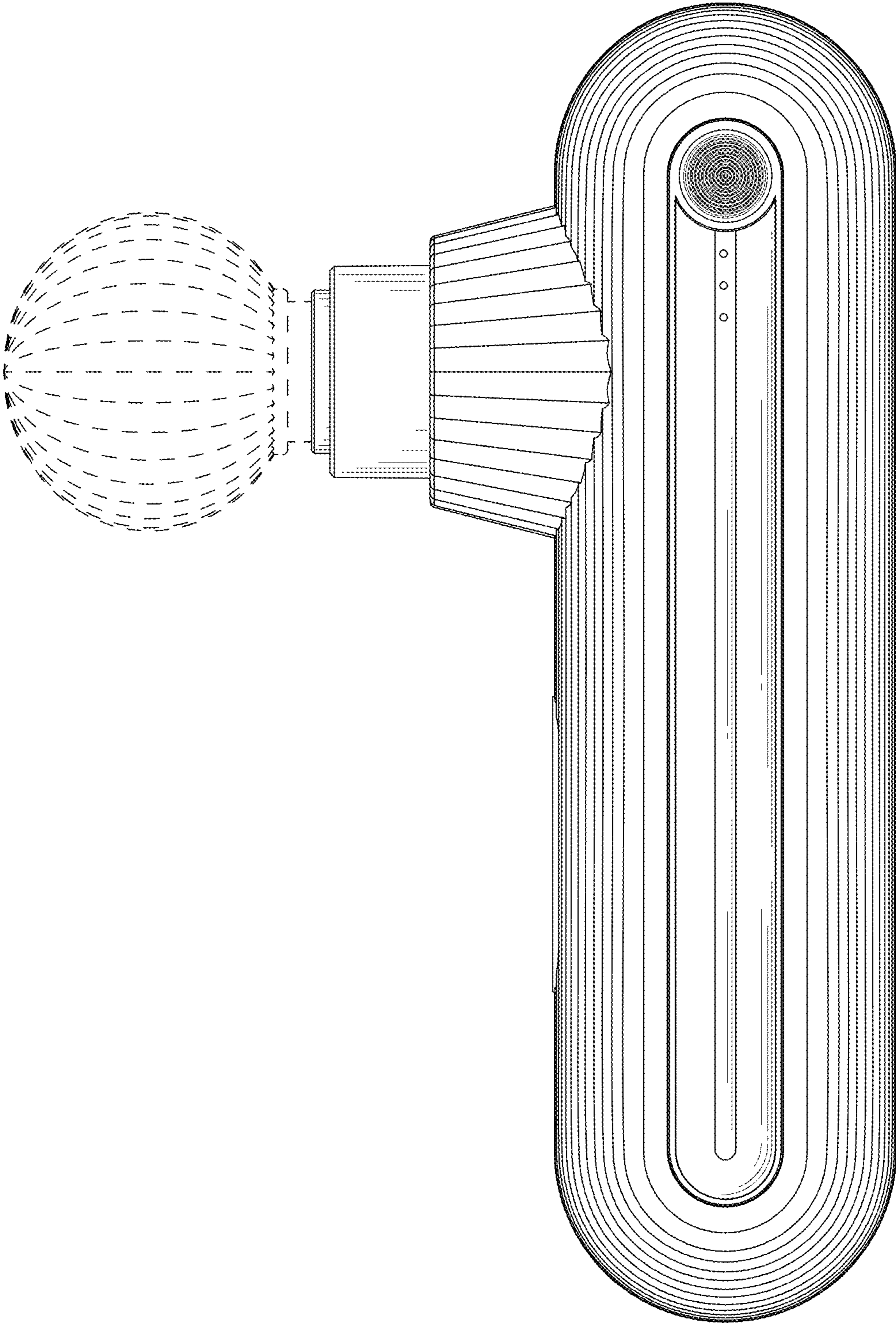


FIG. 5

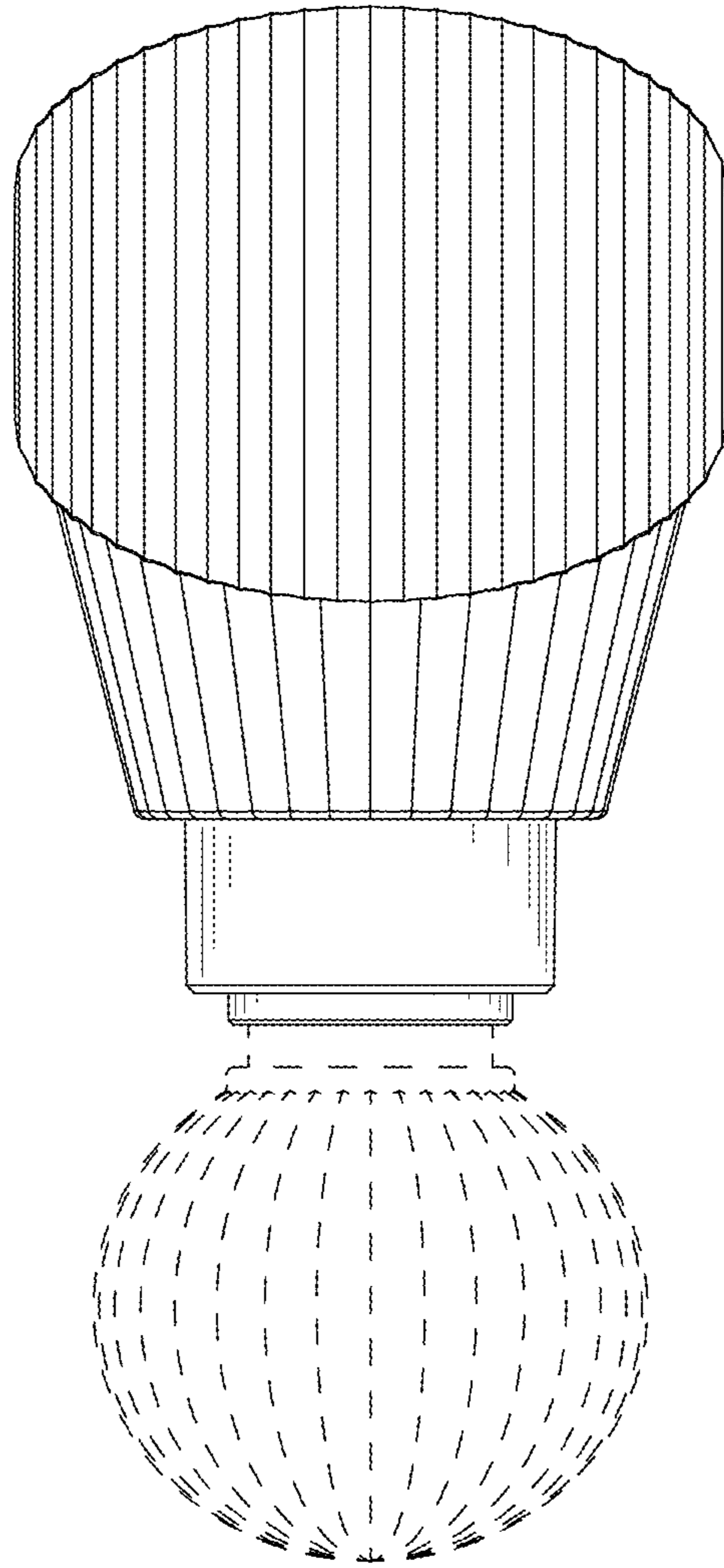


FIG. 6

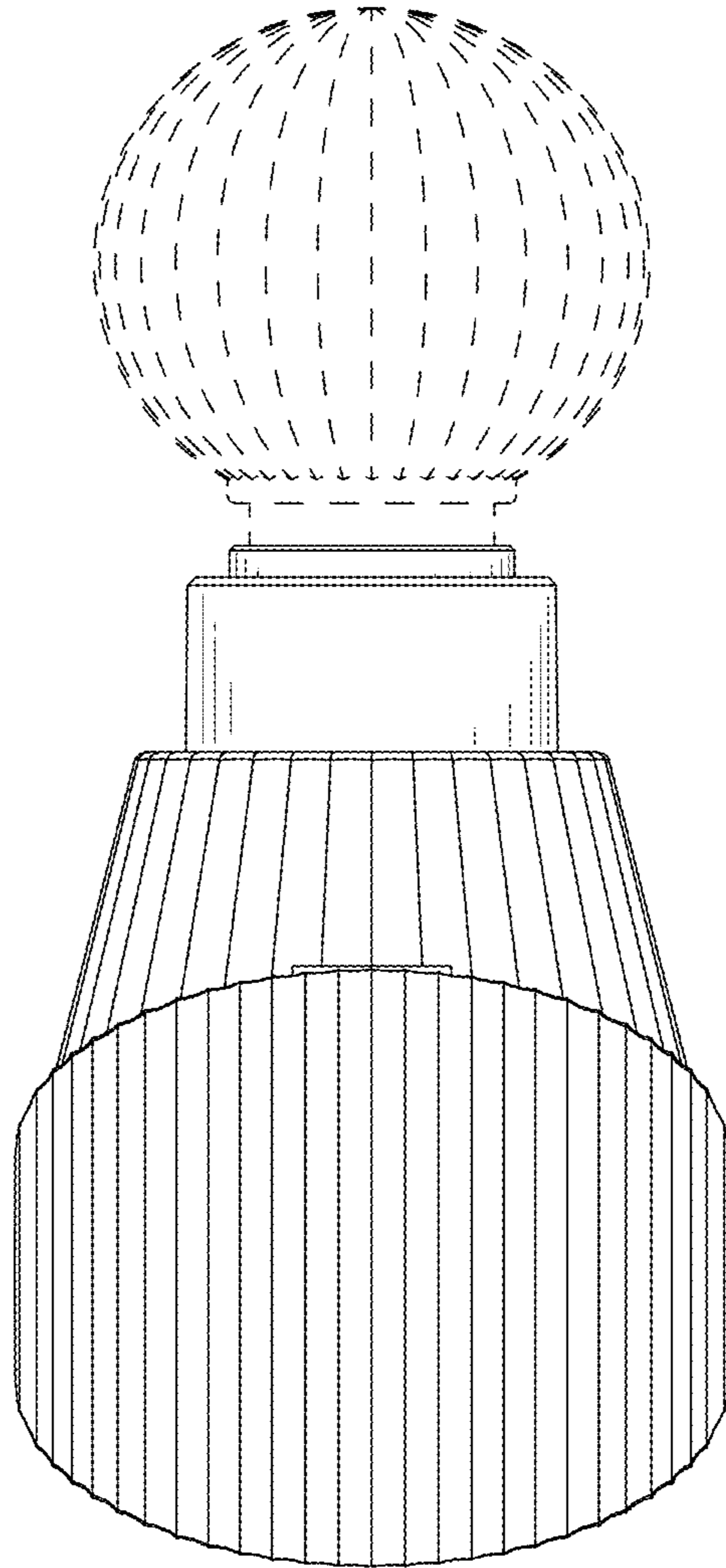


FIG. 7