



US00D986426S

(12) **United States Design Patent** (10) **Patent No.:** **US D986,426 S**
Lowsky et al. (45) **Date of Patent:** **** May 16, 2023**

- (54) **ORAL MOTOR CHEW TOOL**
- (71) Applicant: **ARK Therapeutic Services, Inc.**,
Columbia, SC (US)
- (72) Inventors: **Rebecca E. Lowsky**, Columbia, SC
(US); **Debra C. Lowsky**, Columbia, SC
(US)
- (73) Assignee: **ARK Therapeutic Services, Inc.**,
Columbia, SC (US)
- (**) Term: **15 Years**
- (21) Appl. No.: **29/779,072**
- (22) Filed: **Apr. 16, 2021**
- (51) **LOC (14) Cl.** **24-04**
- (52) **U.S. Cl.**
USPC **D24/194**; D24/181
- (58) **Field of Classification Search**
USPC D24/181, 193, 194, 195, 214; D30/160;
D1/104, 106, 107, 108, 110, 115, 116;
D4/104, 107; D29/113, 118, 123
CPC A61M 16/0493; A61J 17/02; A61J 9/005;
A46B 5/023; A46B 15/0097
See application file for complete search history.

- D938,053 S * 12/2021 Xiao D24/194
- D963,863 S * 9/2022 Pearen D24/176
- 11,439,861 B1 * 9/2022 Cullen A63B 22/00
- 2003/0236556 A1 * 12/2003 Dickerson A61J 17/02
606/235
- 2009/0005810 A1 * 1/2009 Bonazza A61J 17/113
606/236
- 2017/0209300 A1 * 7/2017 Radmand A61M 16/0493

OTHER PUBLICATIONS

“Yapromo: Teething Tube with Safety Shield”. Found online Sep. 15, 2022 at amazon.com. Reference dated Jun. 15, 2021. Retrieved from <https://www.amazon.com/Teething-Shield-Hollow-Toddlers-Infants/dp/B0936L54VJ/>.*

“Gifty: Hollow Teething Tubes with Shield”. Found online Jul. 7, 2022 at amazon.com. Reference dated Feb. 1, 2021. Retrieved from <https://www.amazon.com/Teething-Massager-Food-Grade-Silicone-Cleaning/dp/B08PDS4YZ8/>.*

(Continued)

Primary Examiner — Kendra Leslie Hamilton
(74) *Attorney, Agent, or Firm* — Nelson Mullins Riley & Scarborough LLP

(57) **CLAIM**

The ornamental design for an oral motor chew tool, substantially as shown and described.

DESCRIPTION

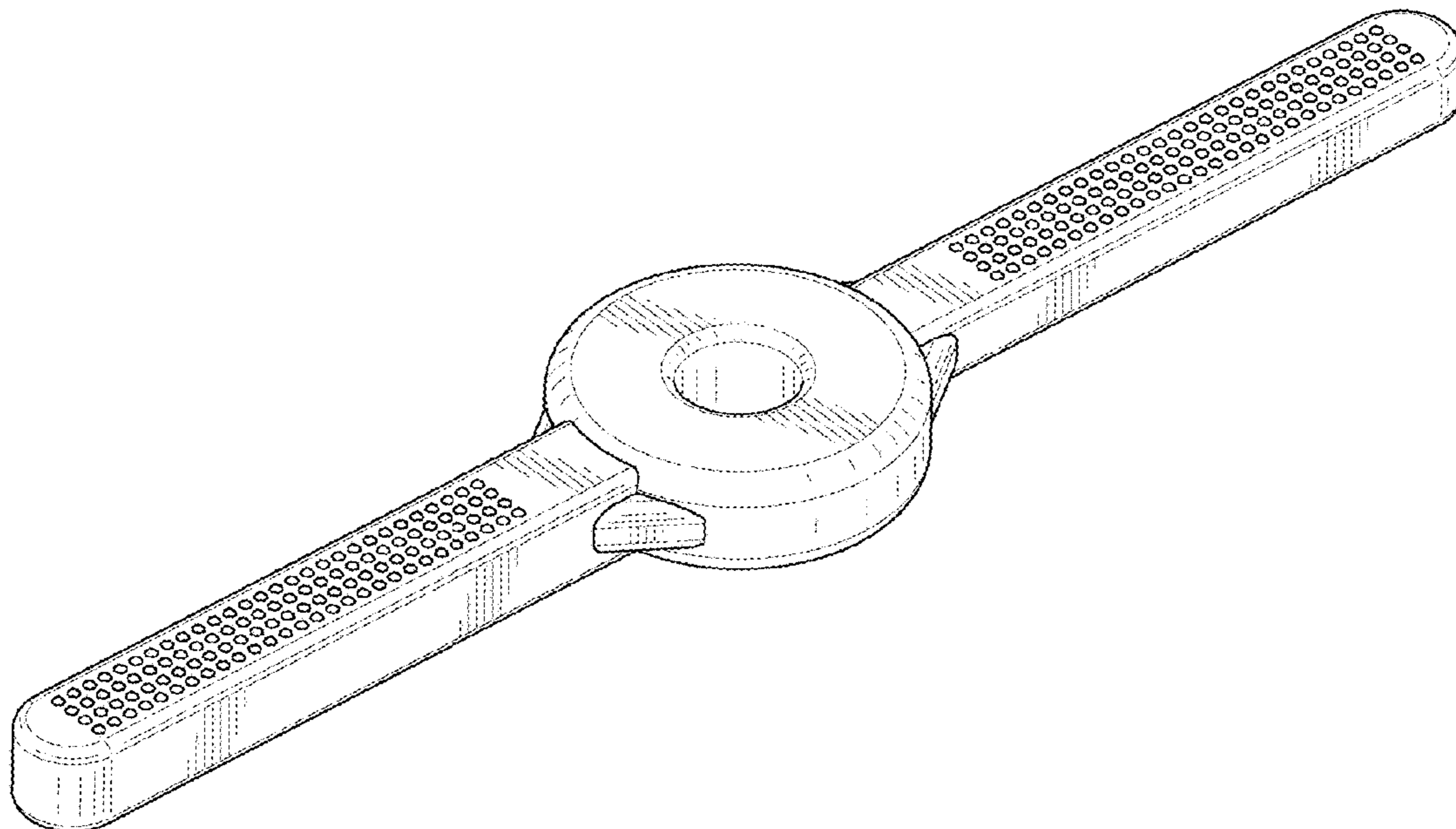
FIG. 1 is a top, front, left perspective view of an oral motor chew tool, showing our new design;
FIG. 2 is a top plan view thereof;
FIG. 3 is a bottom plan view thereof;
FIG. 4 is a left side elevation view thereof;
FIG. 5 is a right side elevation view thereof;
FIG. 6 is a front elevation view thereof; and,
FIG. 7 is a back elevation view thereof.

1 Claim, 4 Drawing Sheets

(56) **References Cited**

U.S. PATENT DOCUMENTS

- 5,551,952 A * 9/1996 Falgout A61J 17/02
601/139
- D639,959 S * 6/2011 Westerlund D24/181
- D674,494 S * 1/2013 Roehrig D24/194
- D704,847 S * 5/2014 Huang D24/194
- D721,439 S * 1/2015 Swartz D24/194
- D845,560 S * 4/2019 Crane D30/160
- D872,807 S 1/2020 Lowsky et al.
- D883,493 S * 5/2020 Wallis D24/176



(56)

References Cited

OTHER PUBLICATIONS

“Chewy Tubes: Knobby Super Chew (red)”. Found online Nov. 17, 2016 at amazon.com. Reference dated Sep. 24, 2011. Retrieved from <https://www.amazon.com/Speech-Pathology-Llc-Chewy-Tubes/dp/B005P3M456/>.*

“Bebisi: Fringe Chewelry Pendant”. Found online Jan. 8, 2022 at facebook.com. Reference dated Mar. 19, 2018. Retrieved from <https://www.facebook.com/shopbebsi/photos/a.628002744044850/900640160114439/?>.*

Arktherapeutic; “New! ARK’s Bite Blocks for Jaw Grading & Stability . . . ”; Instagram; Apr. 28, 2020; retrieved Apr. 16, 2021 from https://www.instagram.com/p/B_h175plTD3/.

Instagram post by arktherapeutic, published at https://www.instagram.com/p/B_h175plTD3/ on Apr. 28, 2020.

Dec. 2, 2019, Design U.S. Appl. No. 29/715,488; 22 pp.

Jul. 9, 2021, Design U.S. Appl. No. 29/798,709; 13 pp.

* cited by examiner

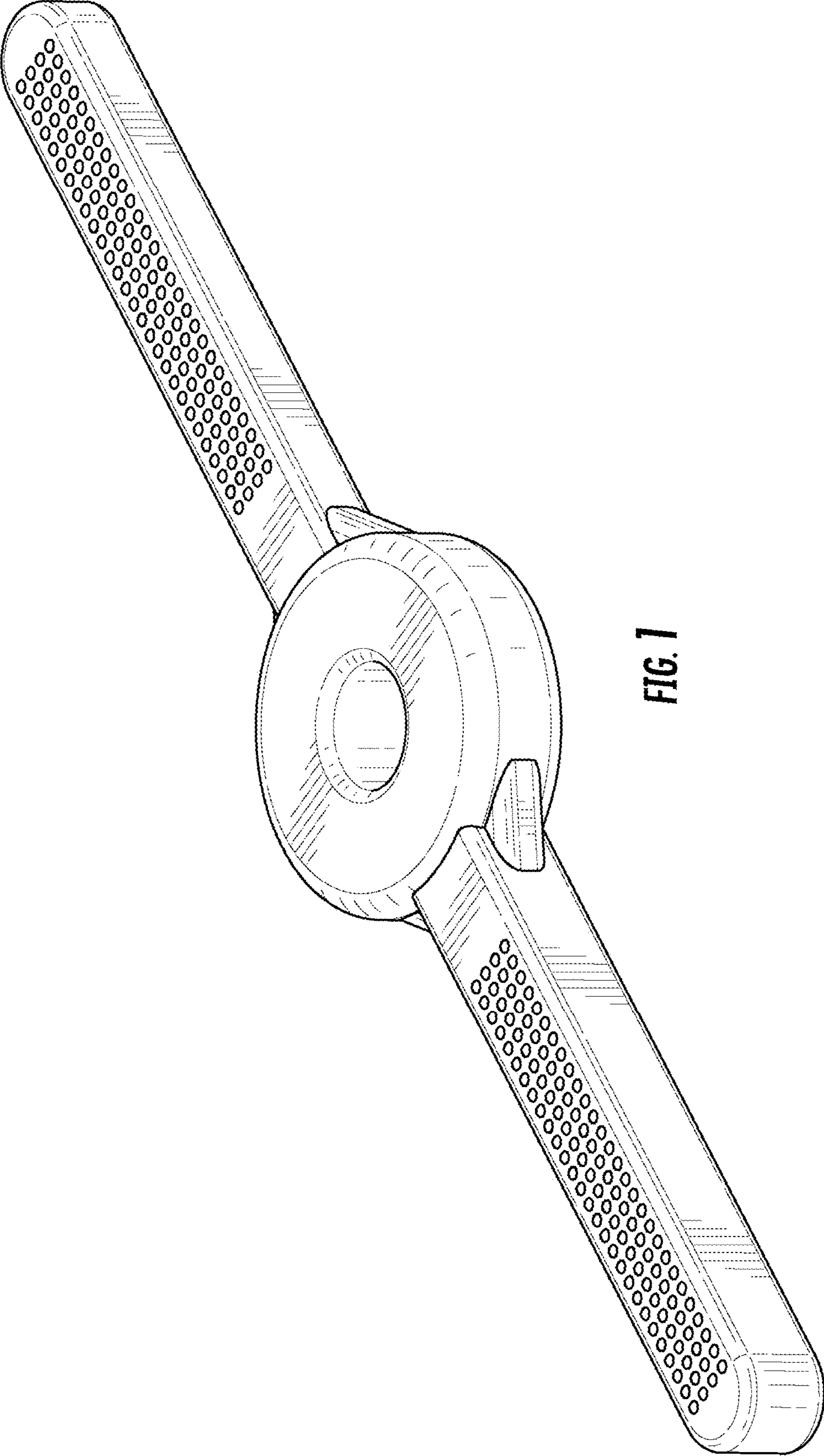


FIG. 1

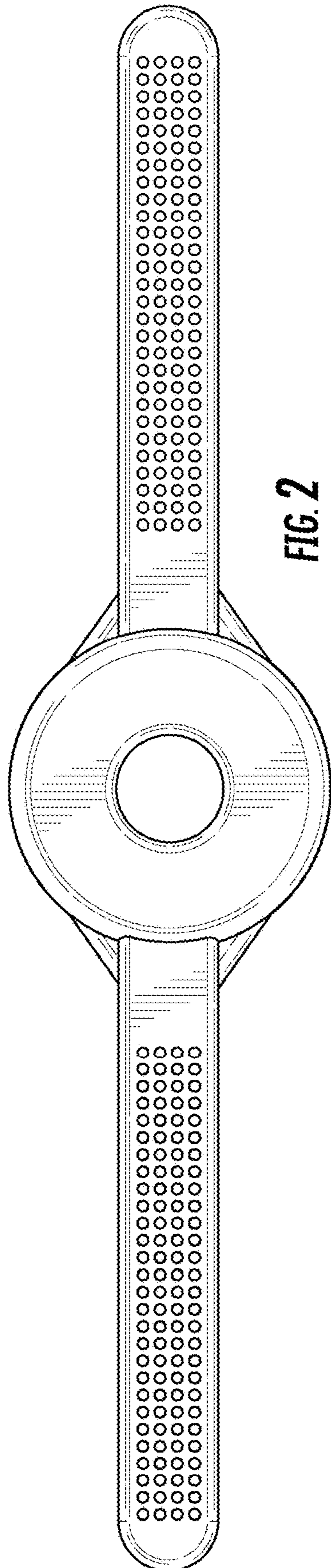


FIG. 2

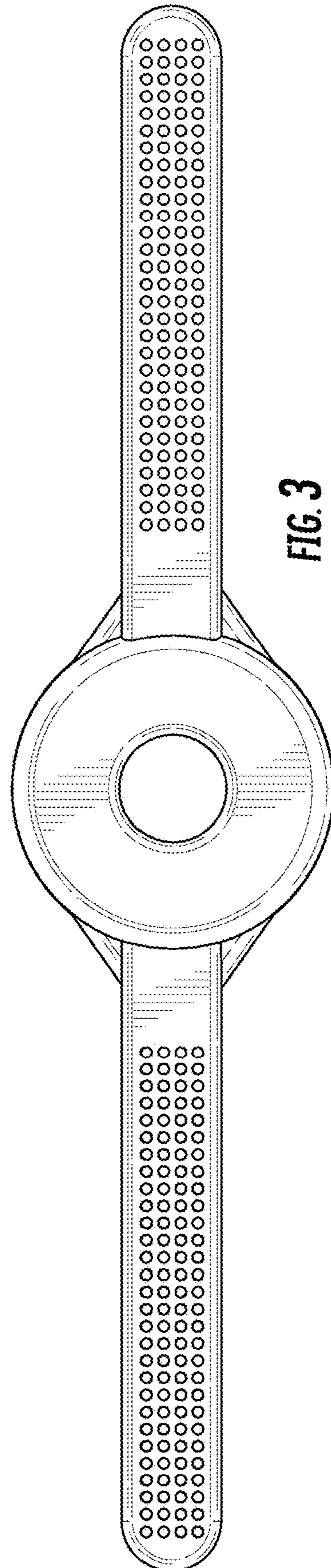


FIG. 3

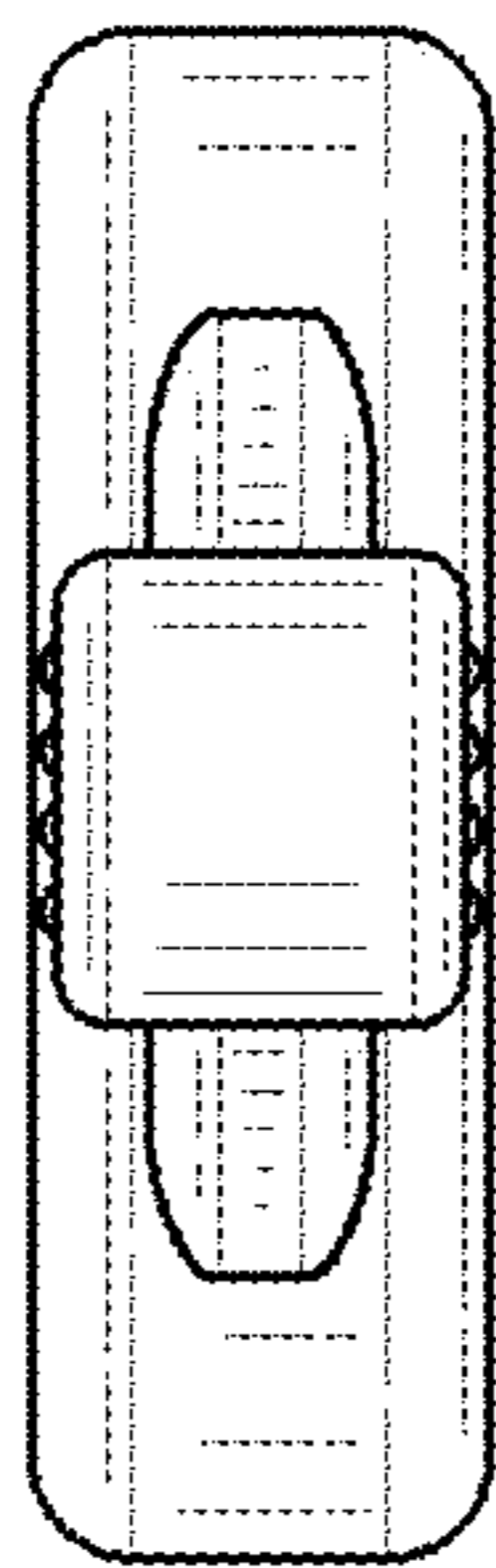


FIG. 4

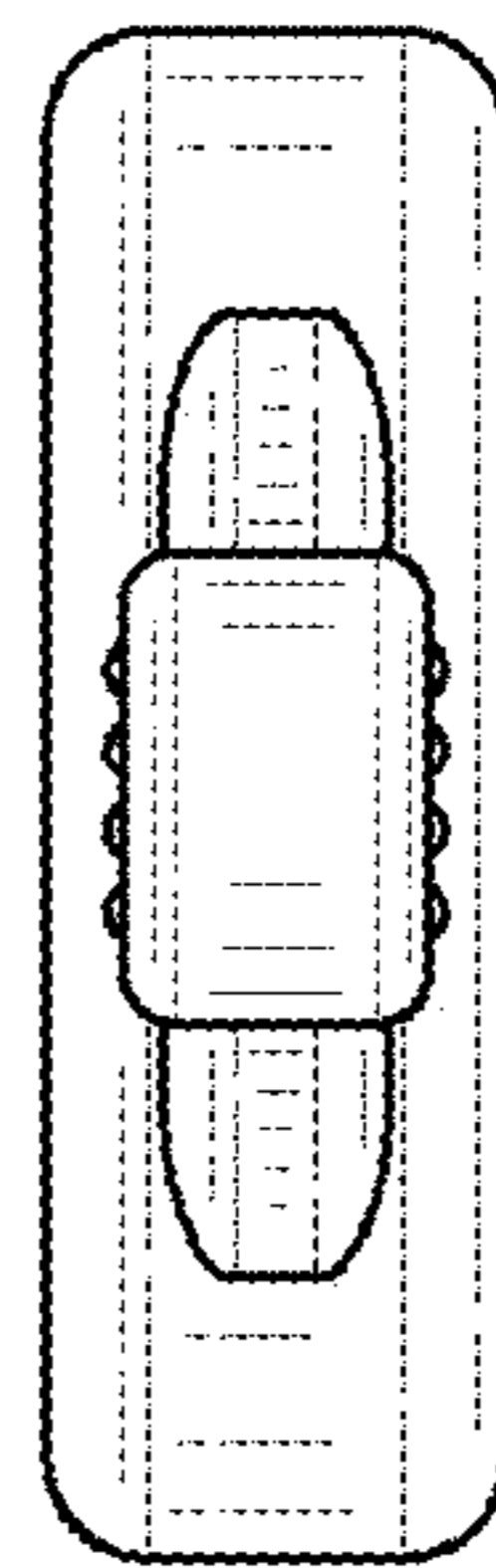


FIG. 5

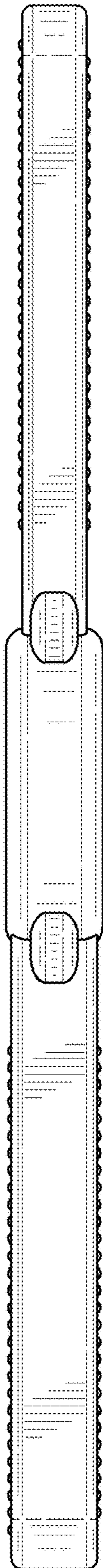


FIG. 6

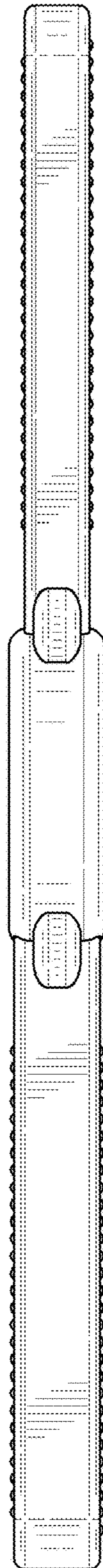


FIG. 7