



US00D986420S

(12) **United States Design Patent** (10) **Patent No.:** **US D986,420 S**
Park (45) **Date of Patent:** **** May 16, 2023**

(54) **DENTAL IMPLANT FIXTURE**
(71) Applicant: **MEGAGEN IMPLANT CO., LTD.**,
Daegu (KR)
(72) Inventor: **Kwang Bum Park**, Daegu (KR)
(73) Assignee: **MEGAGEN IMPLANT CO., LTD.**
(**) Term: **15 Years**

(21) Appl. No.: **29/783,857**
(22) Filed: **May 15, 2021**

(30) **Foreign Application Priority Data**
Dec. 9, 2020 (KR) 30-2020-0060724
(51) **LOC (14) Cl.** **24-03**
(52) **U.S. Cl.**
USPC **D24/156**
(58) **Field of Classification Search**
USPC D24/155, 156
CPC A61C 8/00; A61C 8/0089; A61C 8/0069;
A61C 8/0054; A61C 8/0096; A61C
8/0039; A61C 8/0063; A61C 8/006; A61C
8/0001; A61C 8/0012; A61C 8/0075;
A61C 8/0083
See application file for complete search history.

(56) **References Cited**
U.S. PATENT DOCUMENTS
D556,906 S * 12/2007 Nakamura D24/156
D556,907 S * 12/2007 Rassoli D24/156
D588,699 S * 3/2009 Aldecoa D24/156
D603,513 S * 11/2009 Emanuelli D24/156
D603,514 S * 11/2009 Emanuelli D24/156
D612,055 S * 3/2010 Riva D24/156
D666,295 S * 8/2012 Hung D24/156

D717,434 S * 11/2014 Park D24/156
D748,263 S * 1/2016 Ishiwata D24/156
D752,753 S * 3/2016 Aravena D24/156
D765,857 S * 9/2016 Cho D24/156
D765,862 S * 9/2016 Schendel D24/156
D802,407 S * 11/2017 Foerster, Jr. D8/387
D884,897 S * 5/2020 Fateh A61C 8/005
D24/156
D921,479 S * 6/2021 Smith D8/387
D941,472 S * 1/2022 Gantes D24/156

* cited by examiner
Primary Examiner — Charles D Hanson
(74) *Attorney, Agent, or Firm* — Renaissance IP Law
Group LLP

(57) **CLAIM**
The ornamental design for a dental implant fixture, as shown
and described.

DESCRIPTION
FIG. 1 is a front perspective view showing our new design
for a dental implant fixture;
FIG. 2 is a front view thereof;
FIG. 3 is a rear view thereof;
FIG. 4 is a left side view thereof;
FIG. 5 is a right side view thereof;
FIG. 6 is a top plan view thereof;
FIG. 7 is a bottom plan view thereof;
FIG. 8 is a bottom perspective view thereof;
FIG. 9 is a cross-sectional view taken along line A-A in FIG.
6 thereof; and,
FIG. 10 is a perspective view of FIG. 9 illustrating our new
design for a dental implant fixture.
The portions shown in broken lines are solely for the
purpose of illustrating context and environmental structures
only and form no part of the claimed design.

1 Claim, 10 Drawing Sheets

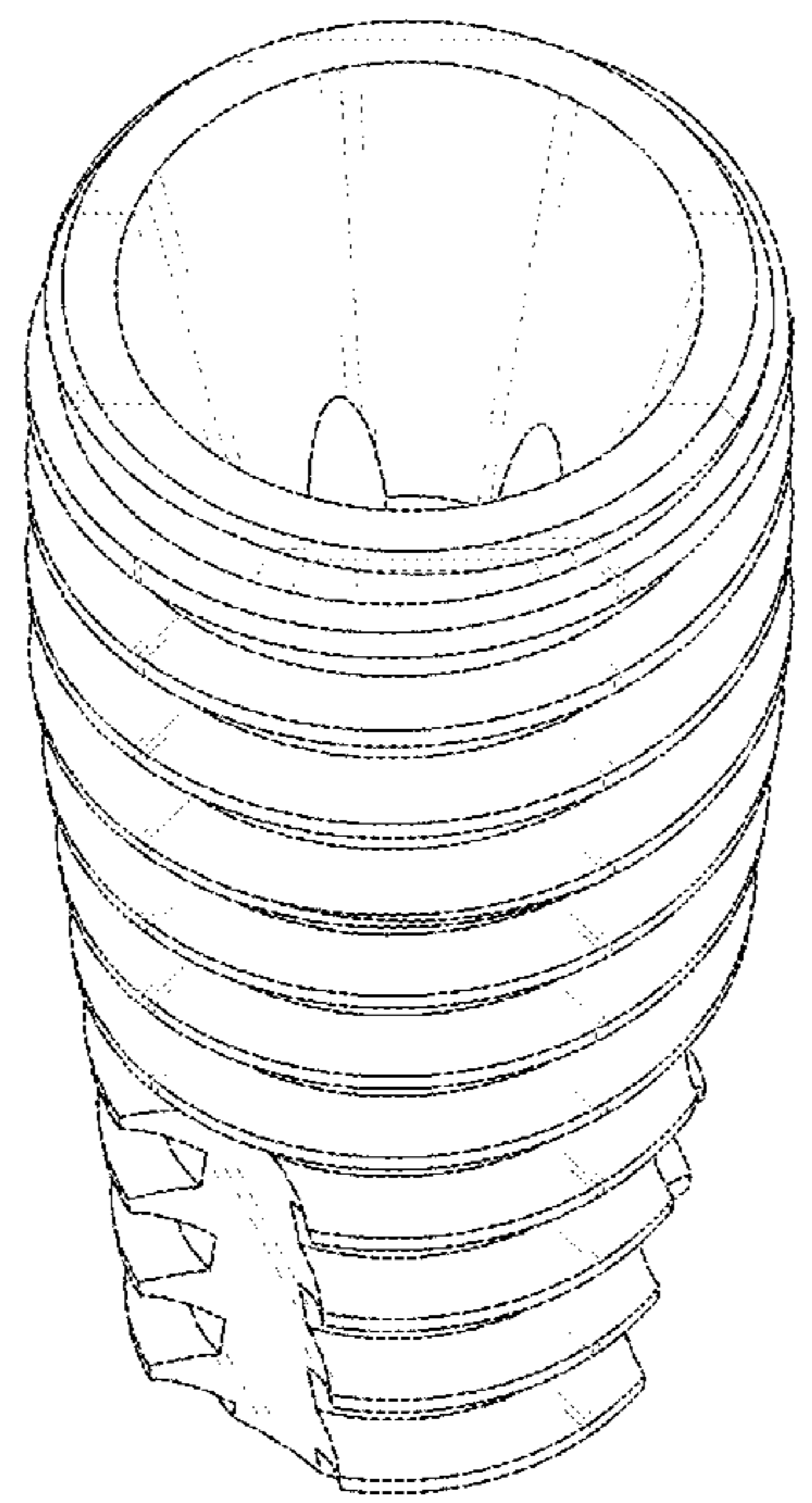


FIG. 1

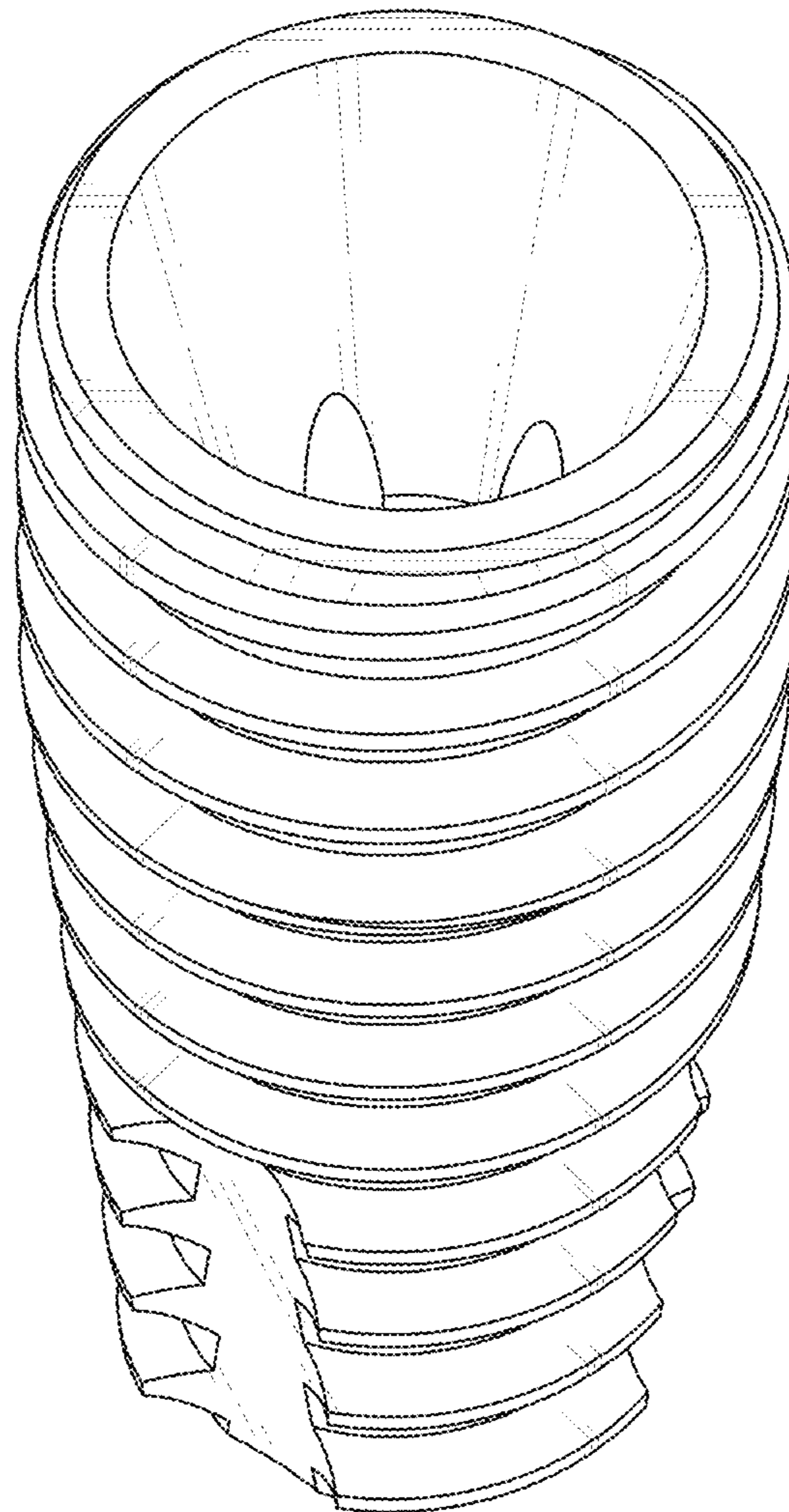


FIG. 2

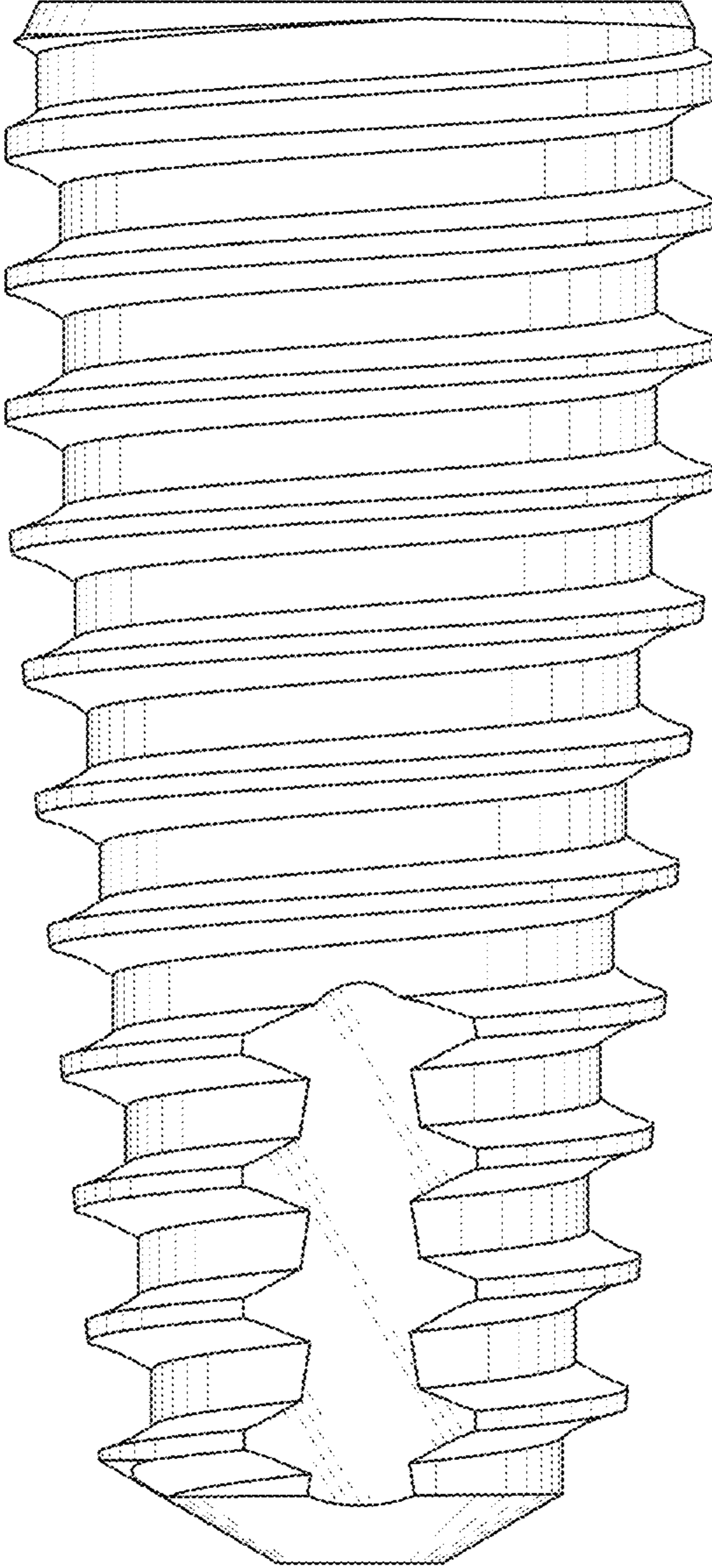


FIG. 3

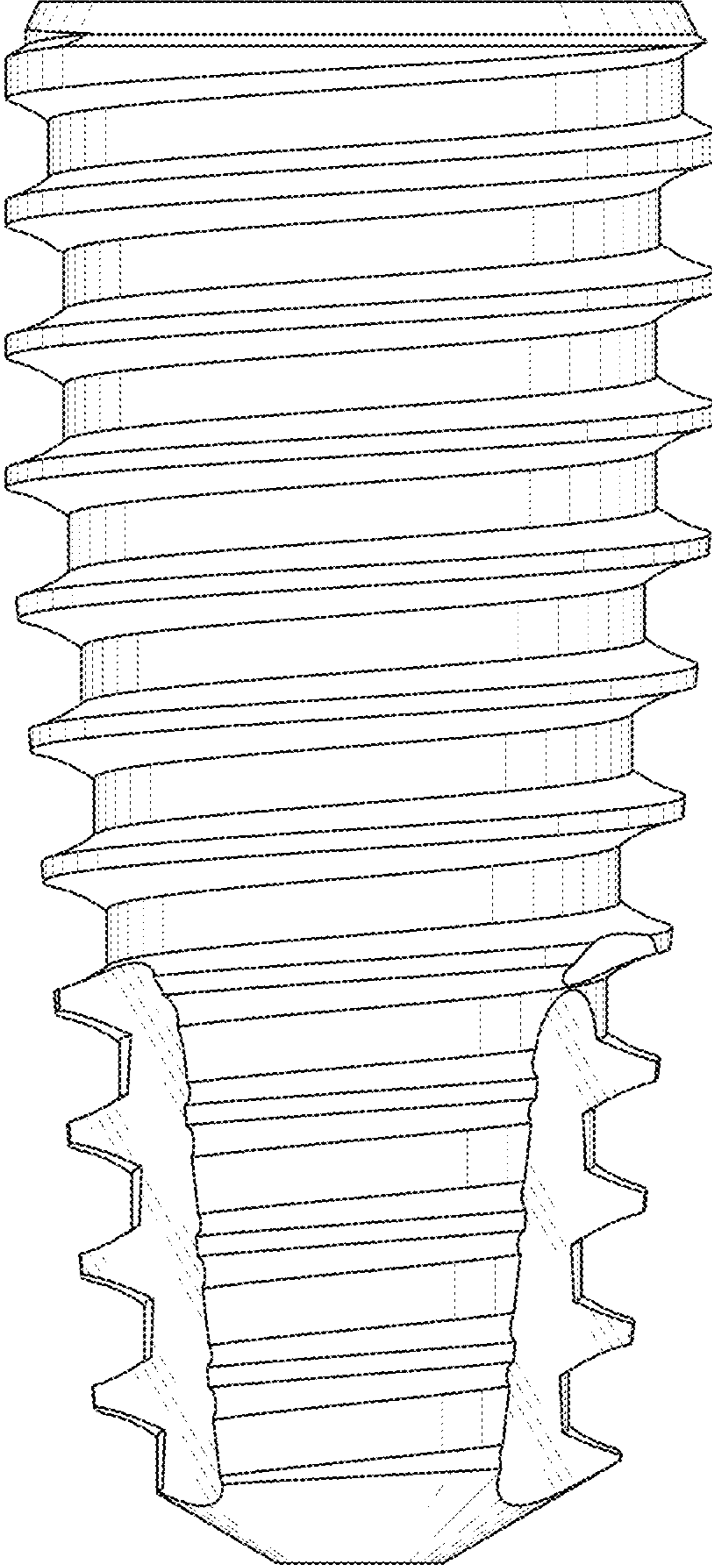


FIG. 4

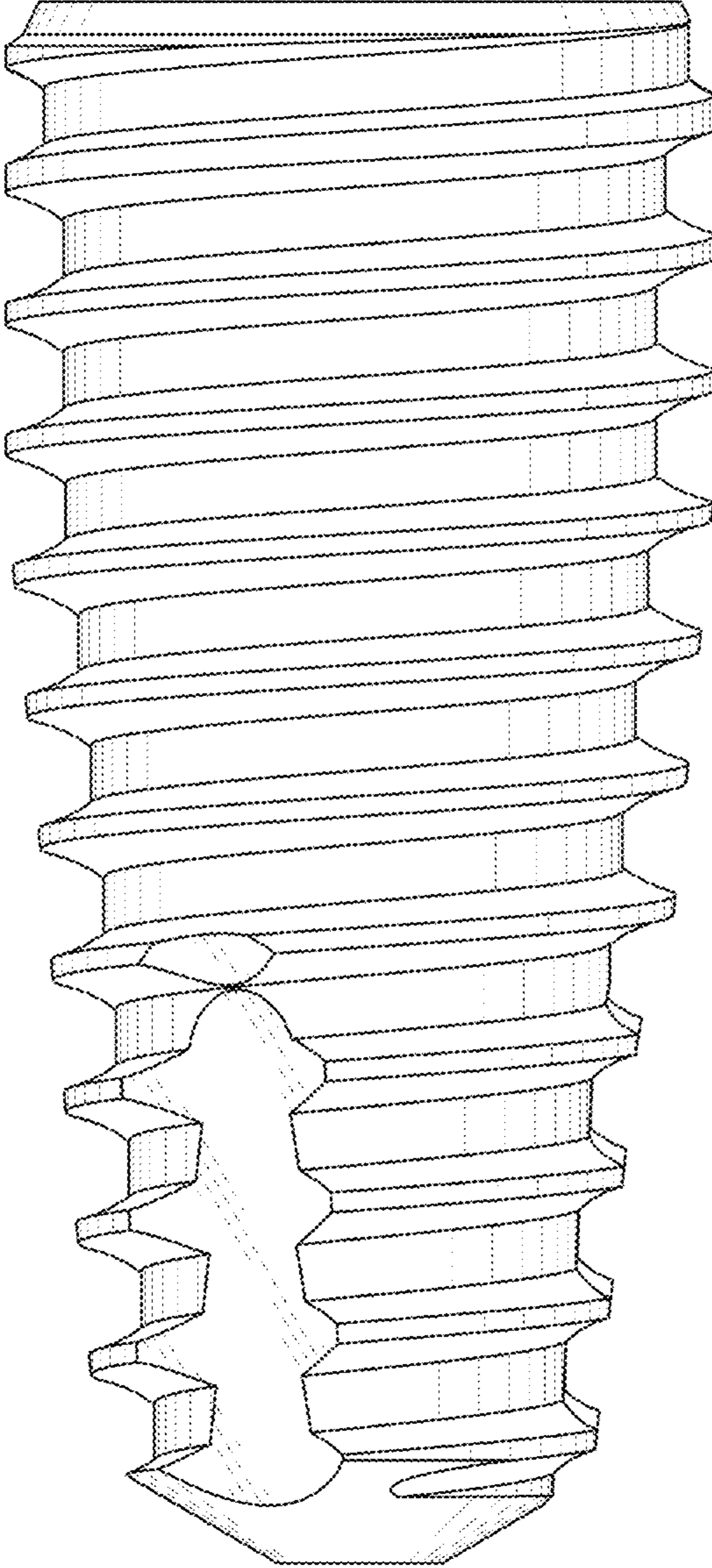


FIG. 5

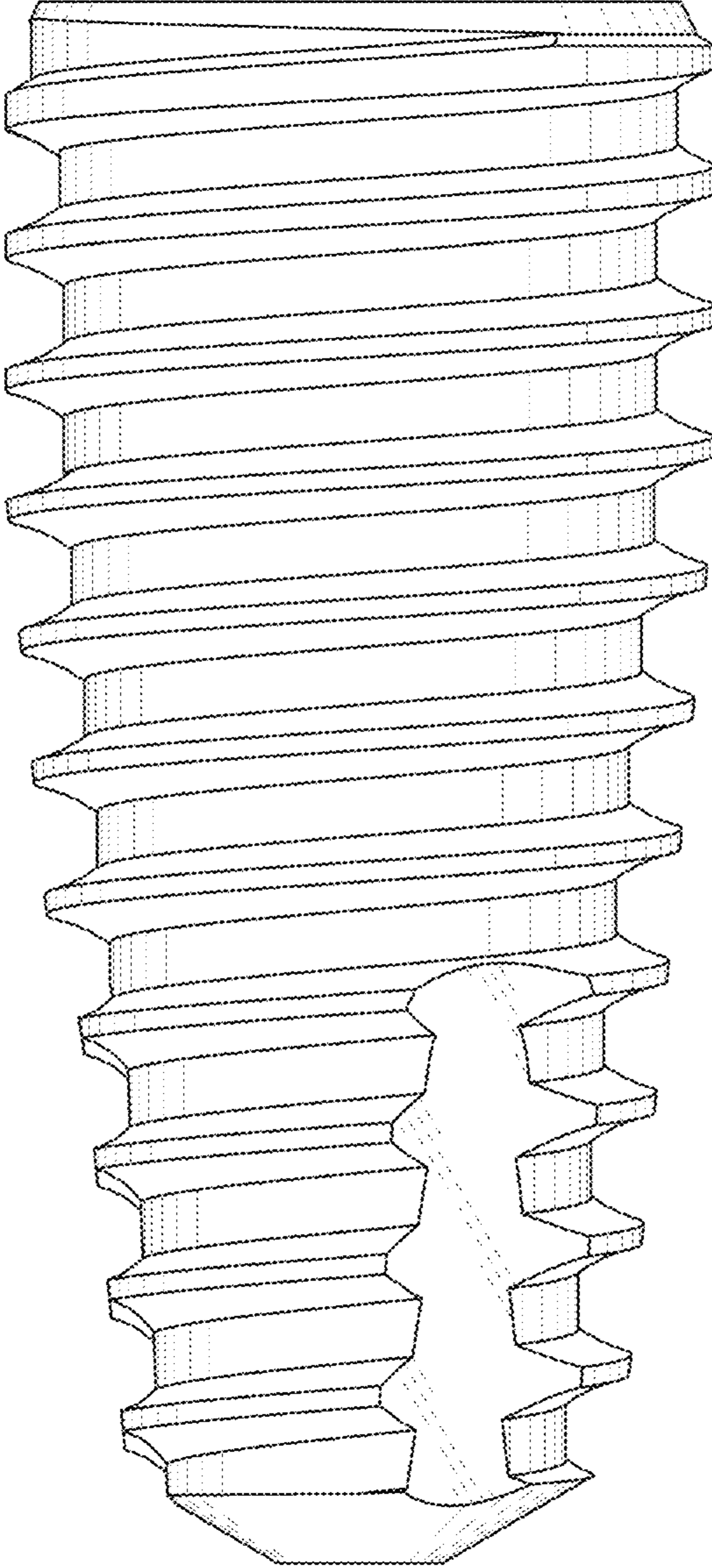


FIG. 6

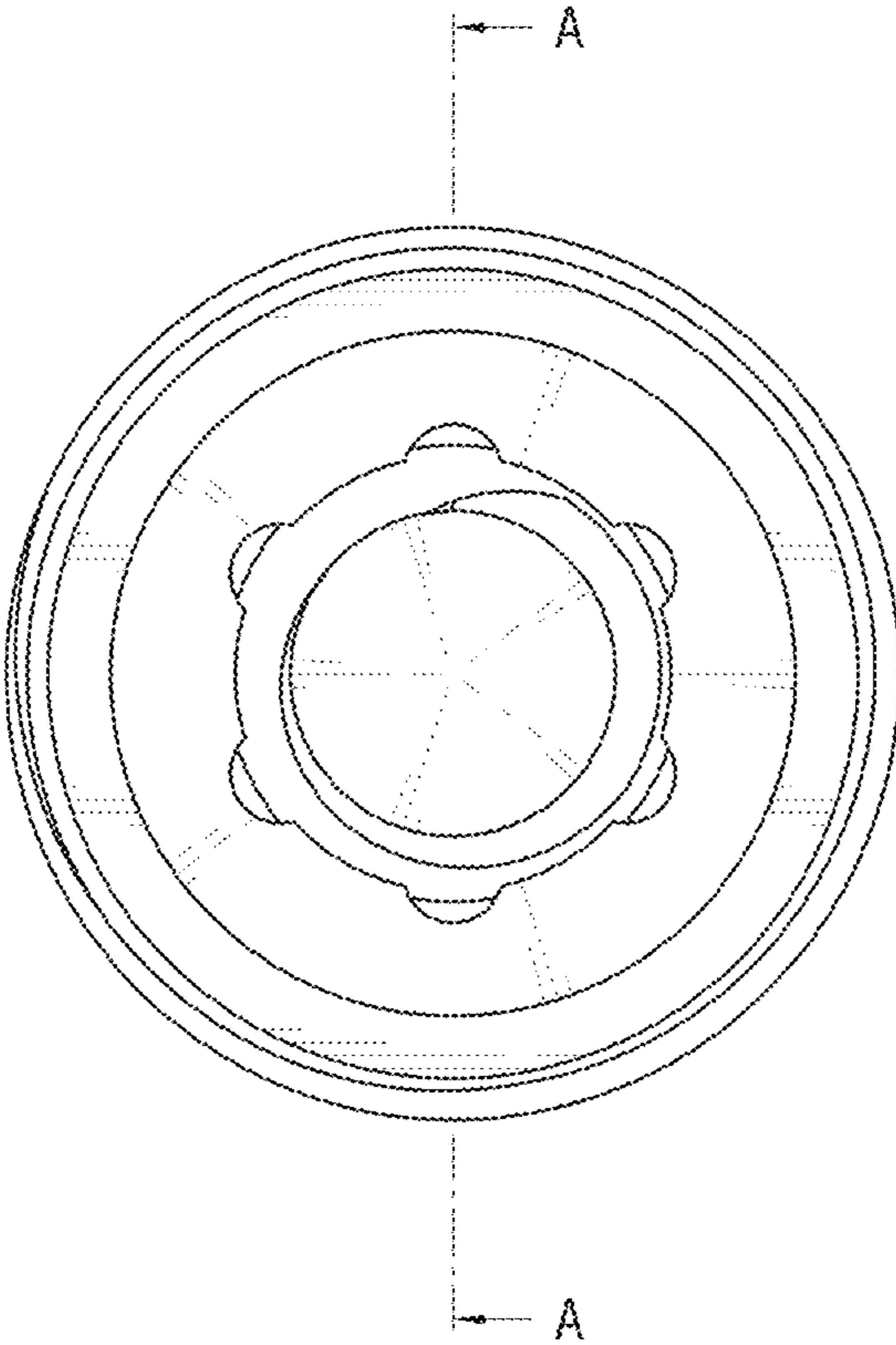


FIG. 7

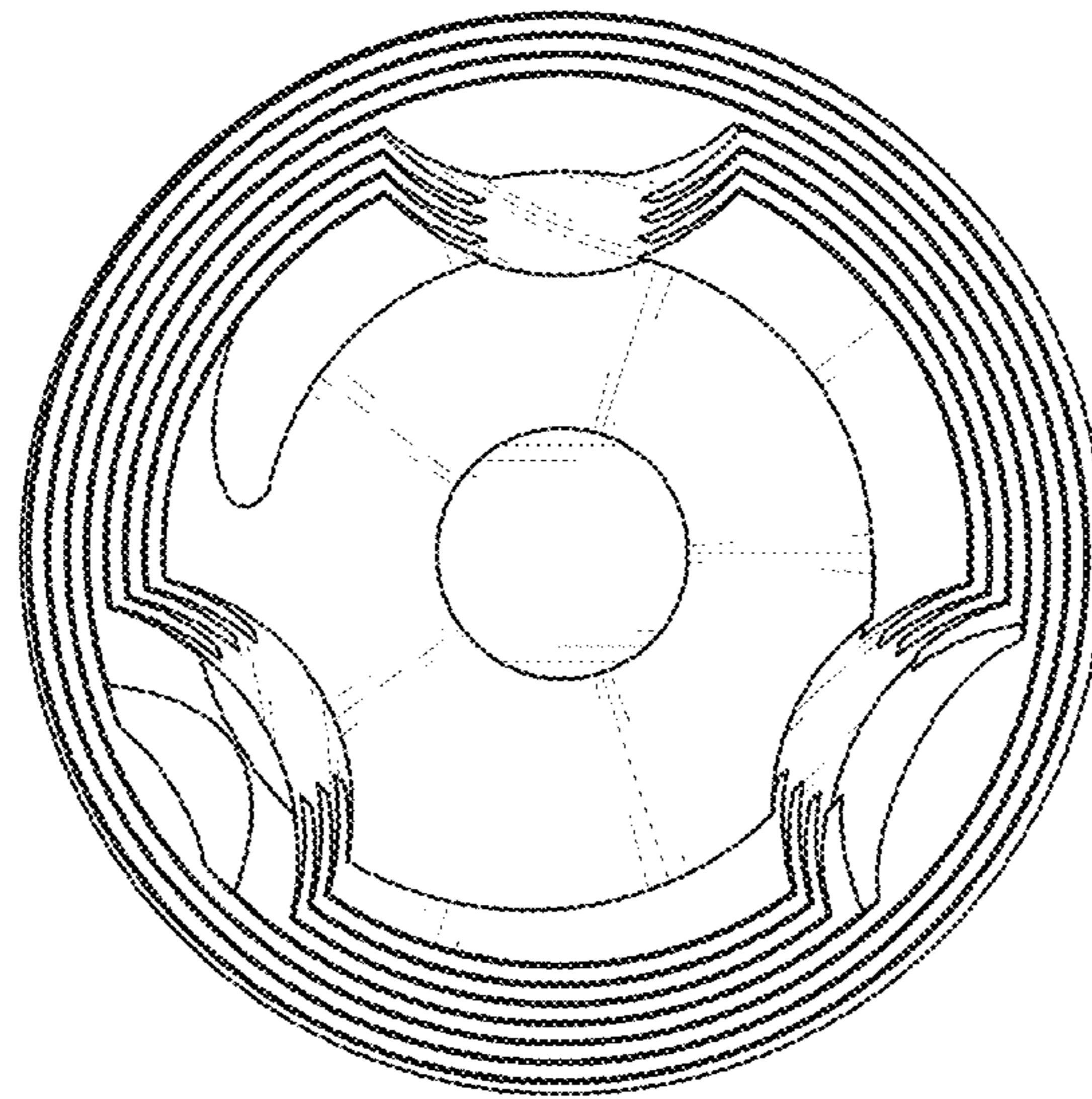


FIG. 8

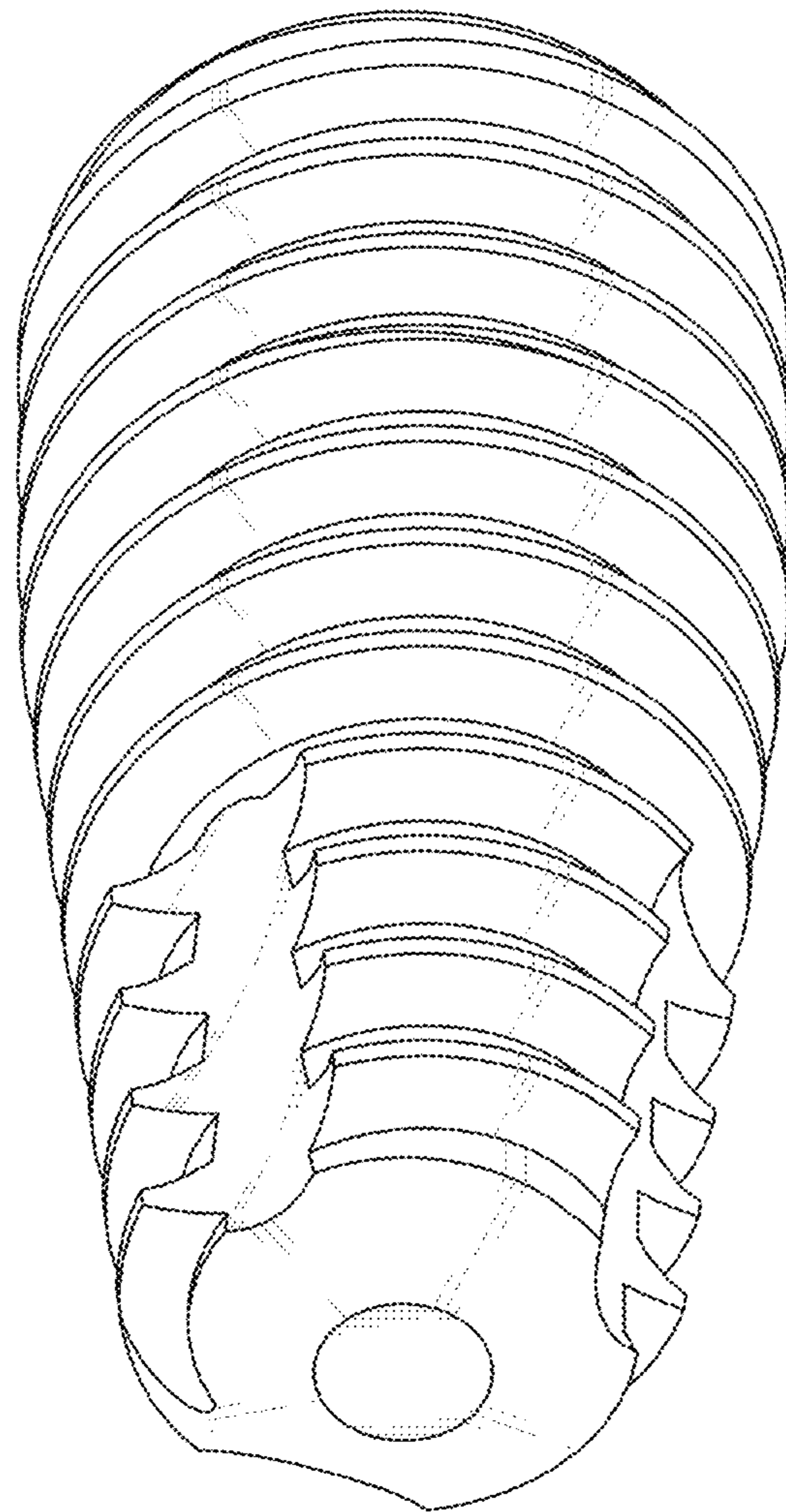


FIG. 9

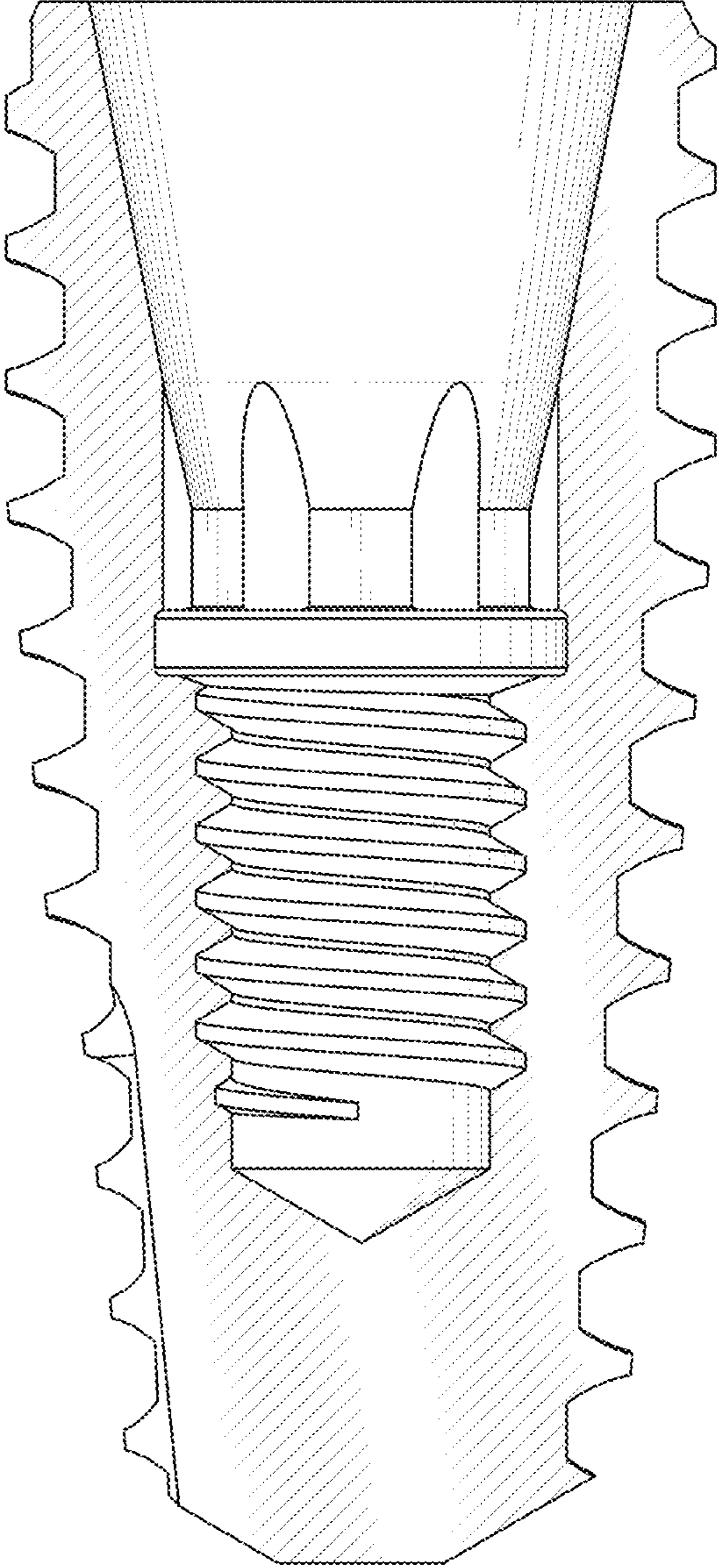


FIG. 10

