



US00D986416S

(12) **United States Design Patent** (10) **Patent No.:** **US D986,416 S**
Hiller (45) **Date of Patent:** **** May 16, 2023**

(54) **LARYNGOSCOPE**

- (71) Applicant: **Kenneth Hiller**, Houston, TX (US)
- (72) Inventor: **Kenneth Hiller**, Houston, TX (US)
- (**) Term: **15 Years**
- (21) Appl. No.: **29/798,185**
- (22) Filed: **Jul. 6, 2021**

Related U.S. Application Data

- (63) Continuation of application No. 17/227,214, filed on Apr. 9, 2021, now Pat. No. 11,206,973.
- (51) **LOC (14) Cl.** **24-02**
- (52) **U.S. Cl.**
USPC **D24/137**
- (58) **Field of Classification Search**
USPC D24/133, 137, 138, 146
CPC A61B 1/267
See application file for complete search history.

(56) **References Cited**

U.S. PATENT DOCUMENTS

3,357,433	A	12/1967	Fourestier	
3,835,841	A	9/1974	Terada	
3,901,220	A	8/1975	Koyasu	
4,489,728	A	12/1984	Matsuo et al.	
4,576,147	A	3/1986	Hashiguchi	
4,592,343	A	6/1986	Upsher	
4,846,154	A	7/1989	MacAnally et al.	
4,905,669	A	3/1990	Bullard et al.	
4,947,829	A	8/1990	Bullard	
4,972,825	A	11/1990	Vescovo, Jr.	
5,003,962	A *	4/1991	Choi	A61B 1/267 600/199

(Continued)

FOREIGN PATENT DOCUMENTS

AU	2018361822	A1	4/2020
WO	WO-2019/086882	A1	5/2019
WO	WO-2020/050922	A2	3/2020

OTHER PUBLICATIONS

International Pat. Appl. No. PCT PCT/US2021/050324, International Search Report and Written Opinion, dated Mar. 11, 2022, 16 pgs.

Primary Examiner — Eliza Z Harvey

(74) *Attorney, Agent, or Firm* — Foley & Lardner LLP

(57) **CLAIM**

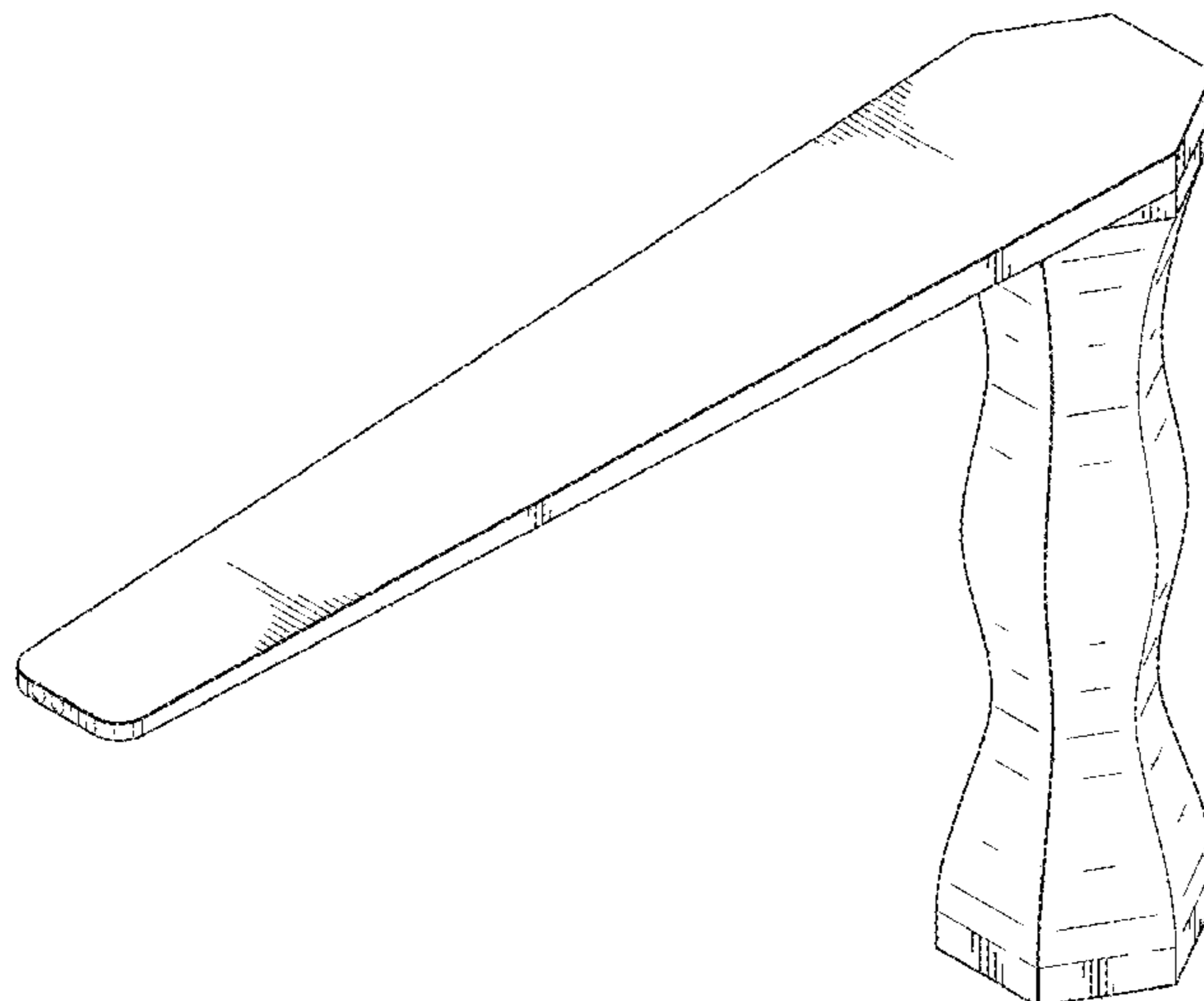
An ornamental design for a laryngoscope, as shown and described.

DESCRIPTION

FIG. 1 is an illustration of a front perspective view of a laryngoscope;
 FIG. 2 is an illustration of a front elevation view thereof;
 FIG. 3 is an illustration of a rear elevation view thereof;
 FIG. 4 is an illustration of a right-side view of thereof;
 FIG. 5 is an illustration of a left-side view thereof;
 FIG. 6 is an illustration of a top view thereof;
 FIG. 7 is an illustration of a bottom view thereof;
 FIG. 8 is an illustration of a bottom perspective view thereof;
 FIG. 9 is an illustration of a front perspective view of a laryngoscope;
 FIG. 10 is an illustration of a front elevation view thereof;
 FIG. 11 is an illustration of a rear elevation view thereof;
 FIG. 12 is an illustration of a right-side view of thereof;
 FIG. 13 is an illustration of a left-side view thereof;
 FIG. 14 is an illustration of a top view thereof;
 FIG. 15 is an illustration of a bottom view thereof; and,
 FIG. 16 is an illustration of a bottom perspective view thereof.

The broken lines shown as dashed lines are for the purpose of illustrating unclaimed structure, and form no part of the claimed design.

1 Claim, 12 Drawing Sheets



(56)

References Cited

U.S. PATENT DOCUMENTS

5,060,633 A 10/1991 Gibson
 5,261,392 A 11/1993 Wu
 5,381,787 A 1/1995 Bullard
 5,527,262 A 6/1996 Monroe et al.
 5,643,221 A 7/1997 Bullard
 5,800,344 A 9/1998 Wood et al.
 5,888,195 A 3/1999 Schneider
 6,123,666 A 9/2000 Wrenn et al.
 6,292,221 B1 9/2001 Lichtman
 6,490,490 B1 12/2002 Uchikubo et al.
 6,569,089 B1 5/2003 Covington et al.
 6,626,828 B2 9/2003 Dohi et al.
 6,840,903 B2 1/2005 Mazzei et al.
 D611,598 S * 3/2010 Tenger D24/133
 D630,742 S * 1/2011 Tenger D24/137
 8,251,898 B2 8/2012 Pecherer
 8,529,442 B2 9/2013 Pacey et al.

D745,669 S * 12/2015 Swift D24/137
 9,332,896 B2 5/2016 Patel et al.
 9,723,974 B2 * 8/2017 Tsai A61B 1/00165
 9,949,629 B2 4/2018 Gardner
 10,286,171 B2 5/2019 Gardner
 10,335,023 B2 7/2019 Gardner
 D877,331 S * 3/2020 Huels D24/137
 10,588,498 B2 3/2020 Dan et al.
 10,750,942 B2 * 8/2020 Aleckner A61B 1/267
 11,206,973 B1 * 12/2021 Hiller A61B 1/00165
 2001/0014768 A1 8/2001 Kaplan et al.
 2002/0087050 A1 7/2002 Rudischhauser et al.
 2003/0181789 A1 9/2003 Mazzei et al.
 2005/0148821 A1 7/2005 Berci et al.
 2005/0219376 A1 10/2005 Wittenberg et al.
 2009/0192350 A1 7/2009 Mejia
 2009/0322864 A1 12/2009 Karasawa et al.
 2016/0242637 A1 8/2016 Tydlaska et al.
 2020/0113427 A1 4/2020 Molnar

* cited by examiner

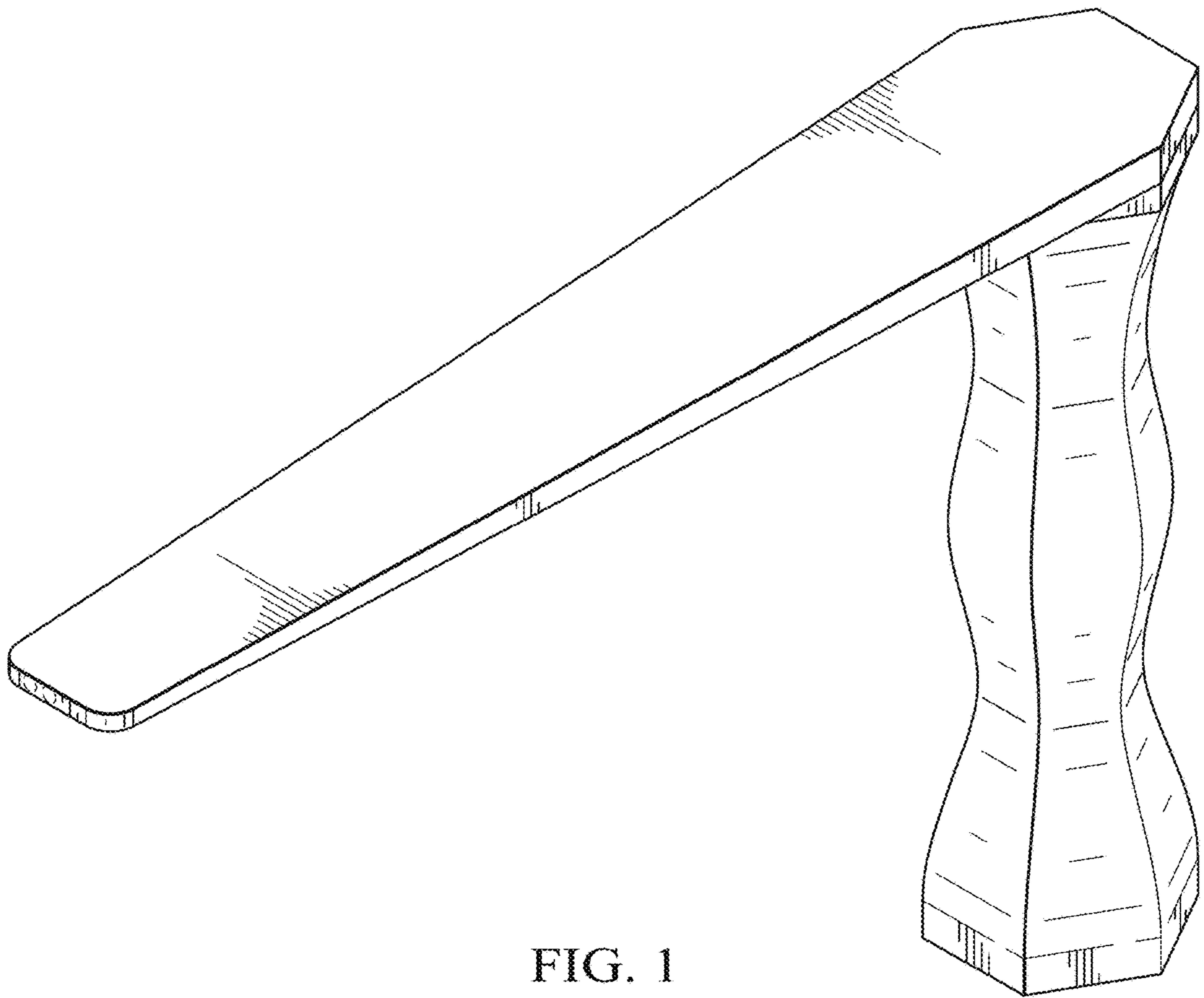


FIG. 1

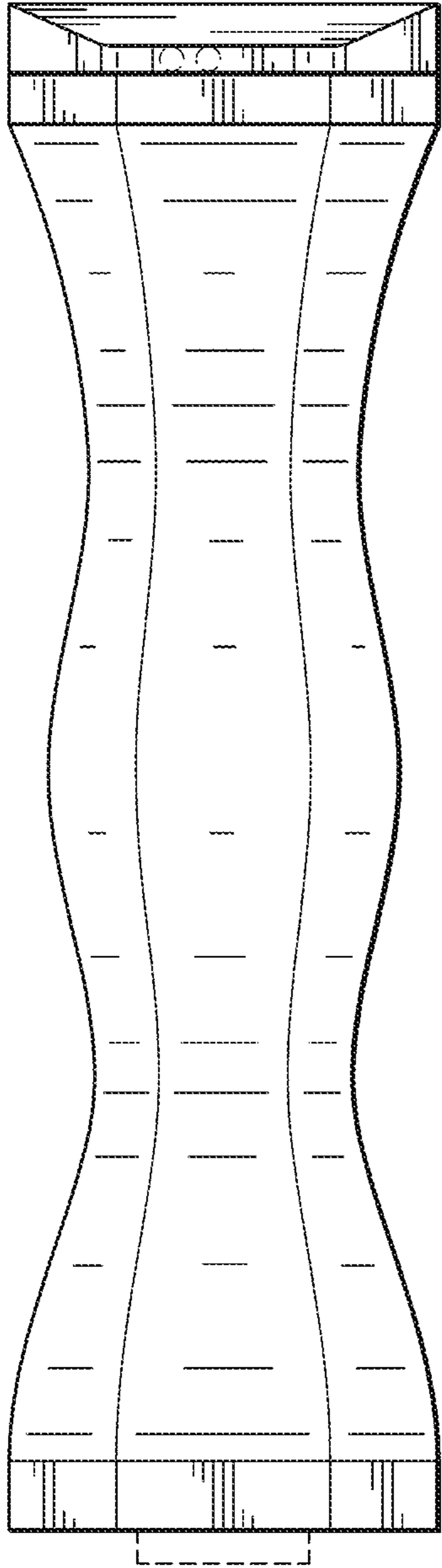


FIG. 2

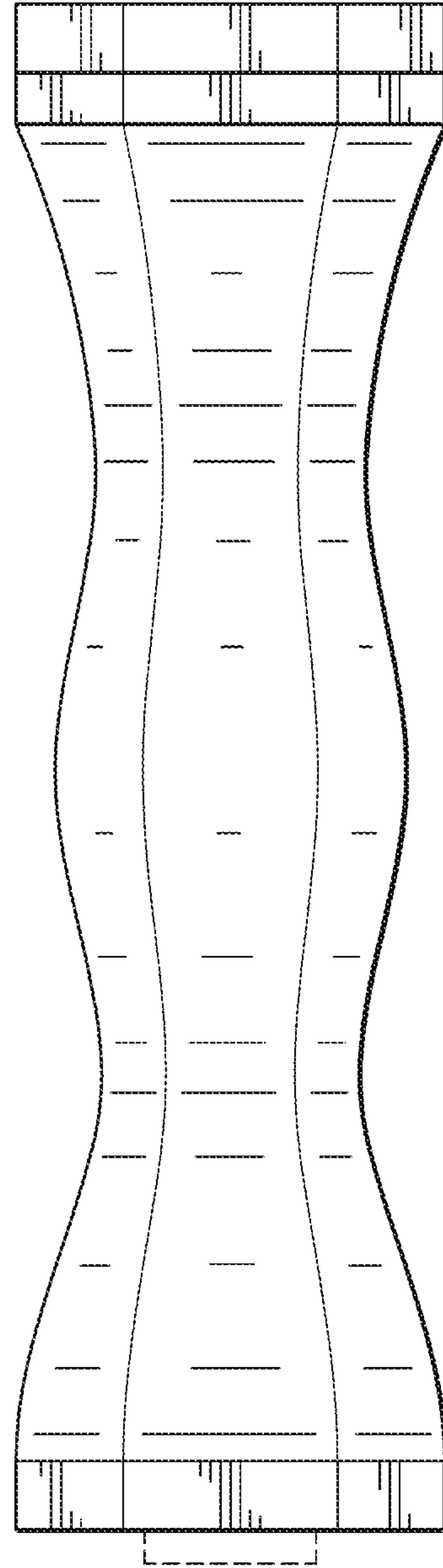


FIG. 3

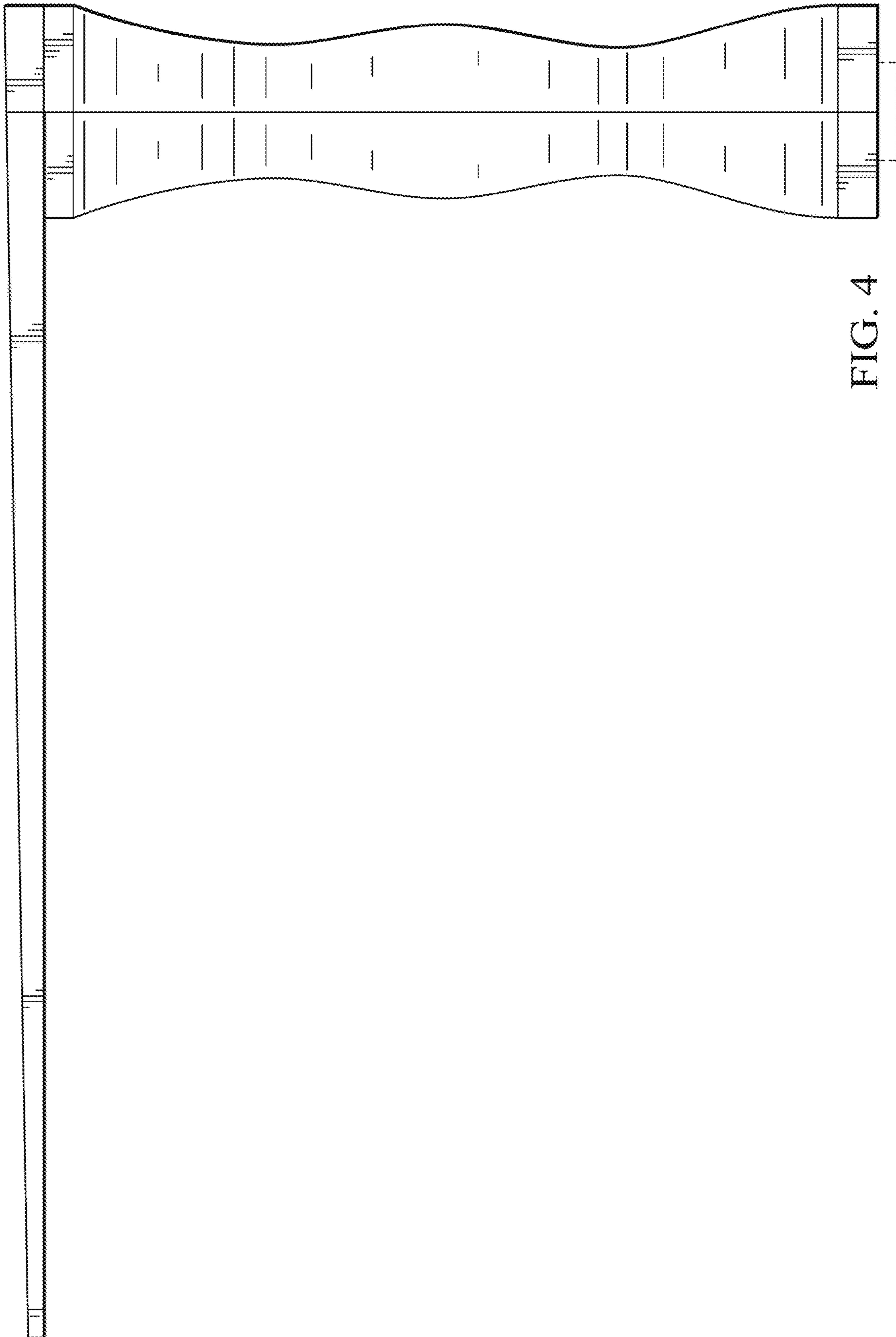


FIG. 4

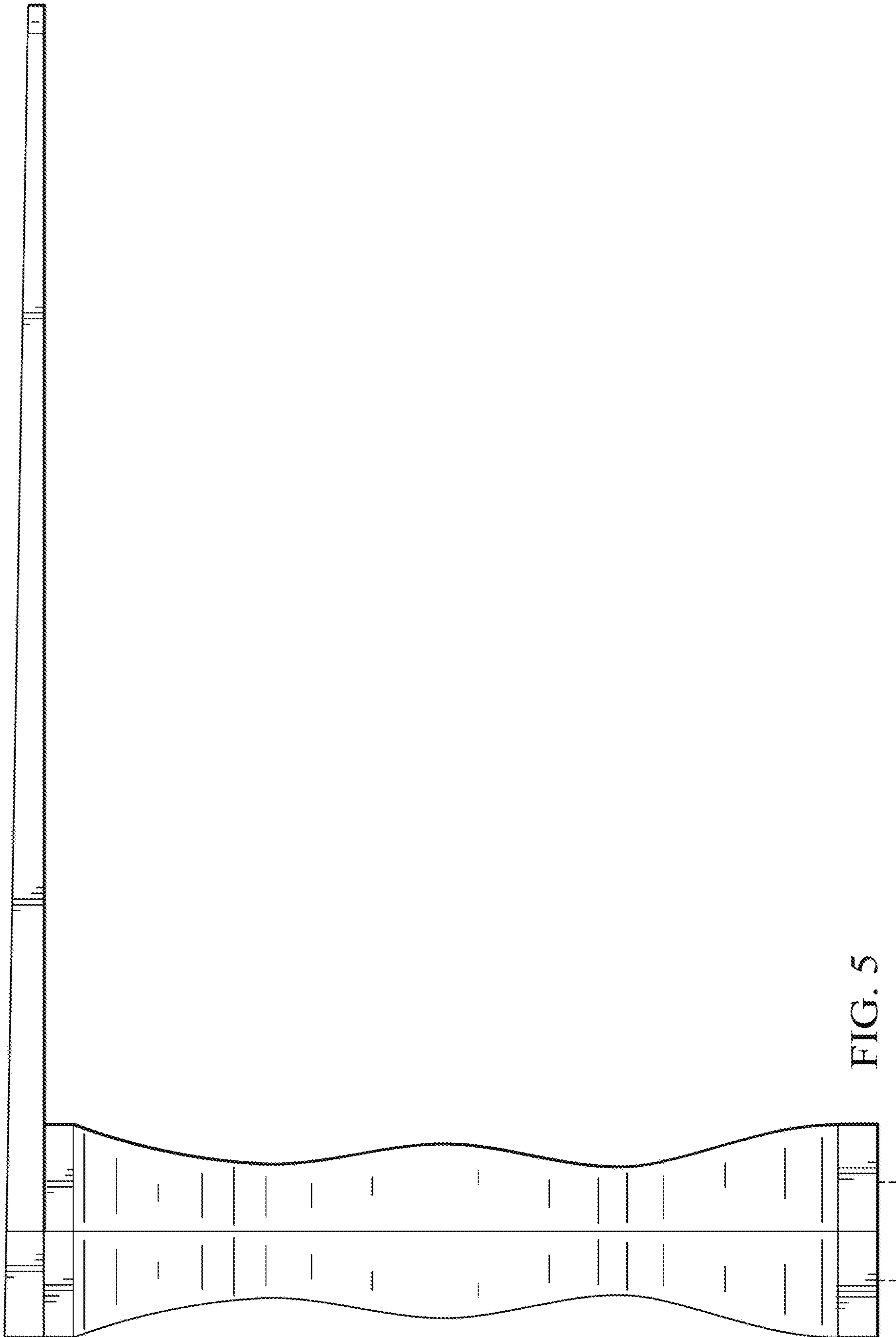


FIG. 5

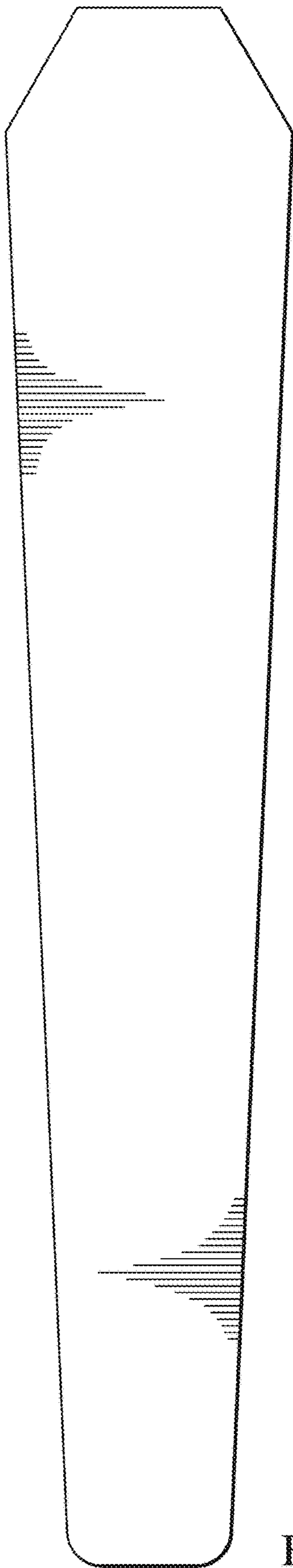


FIG. 6

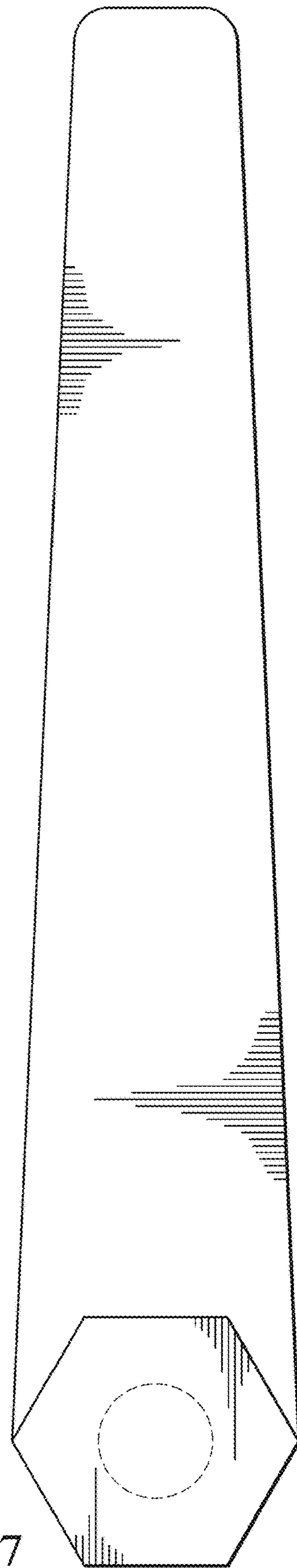


FIG. 7

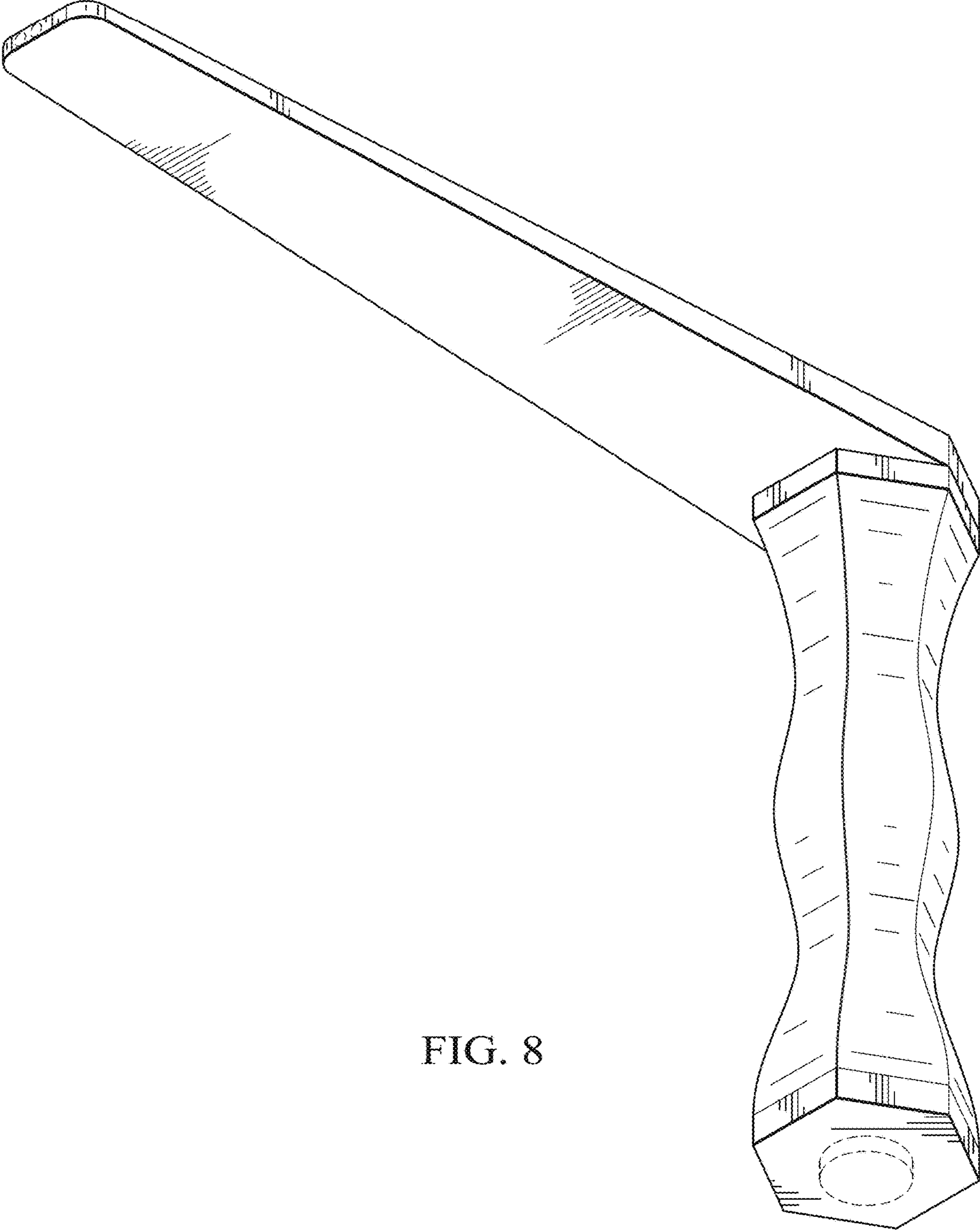


FIG. 8

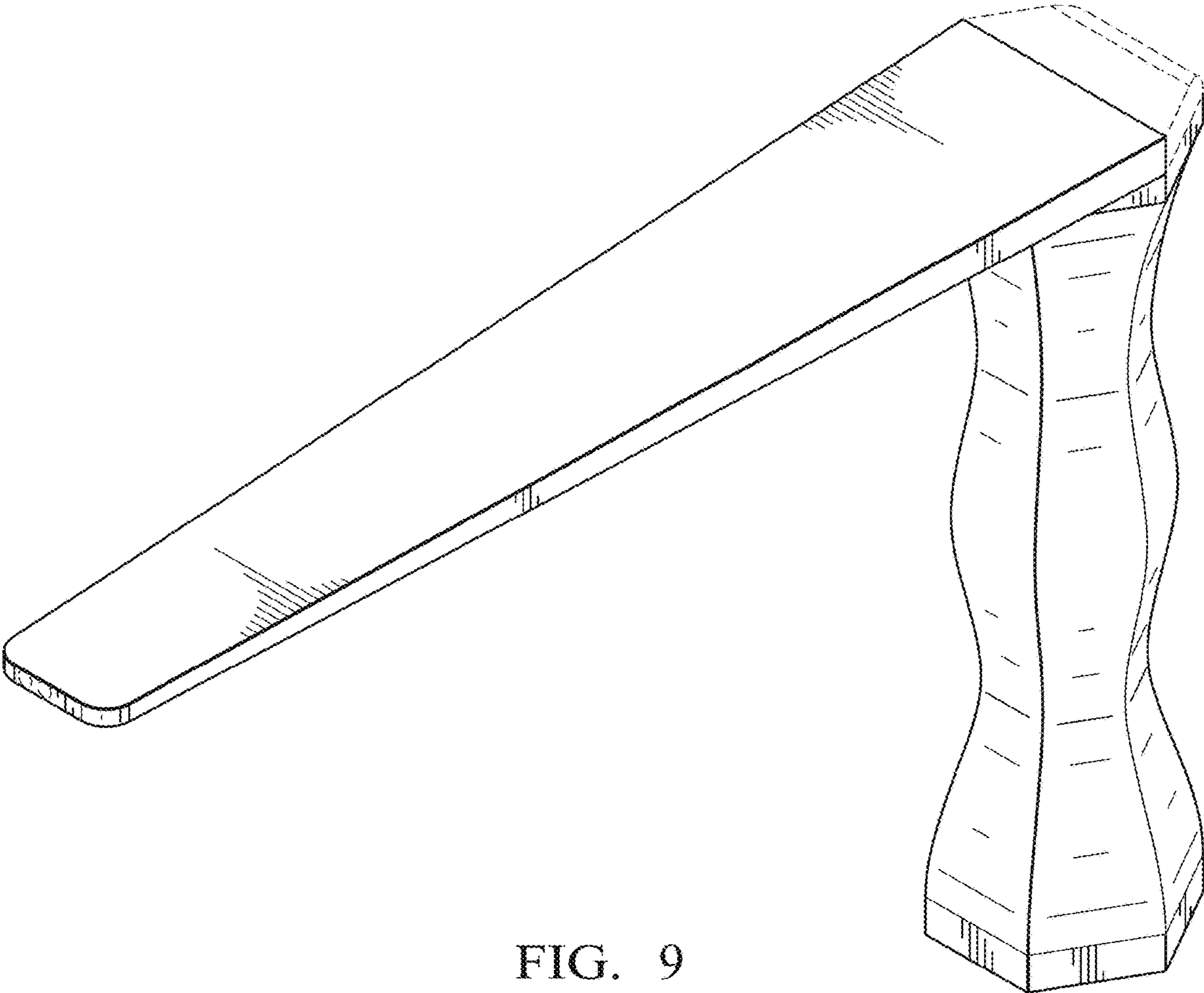


FIG. 9

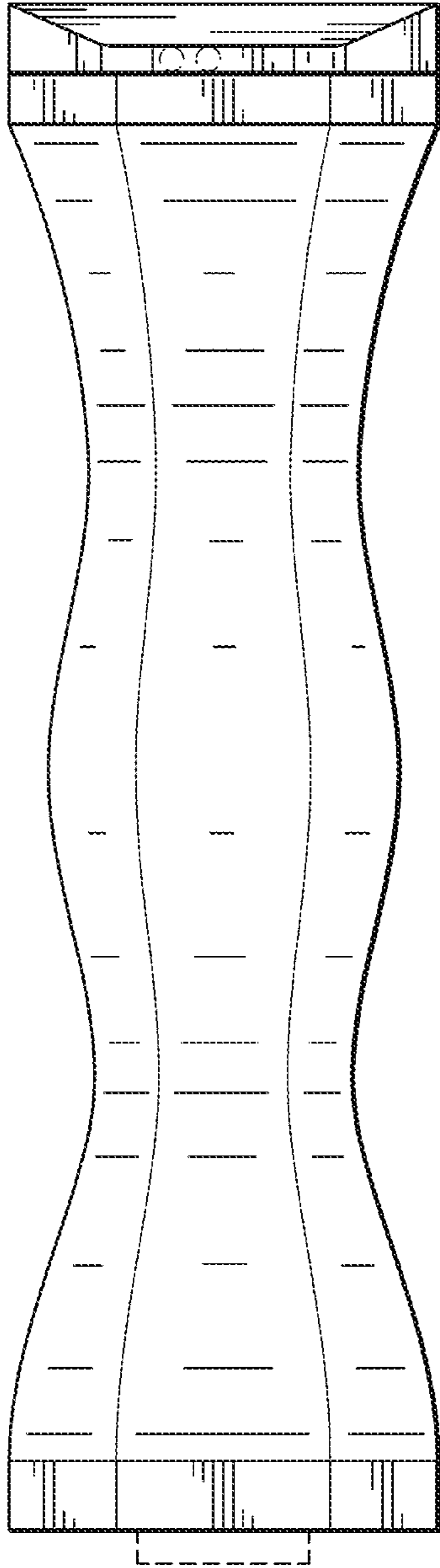


FIG. 10

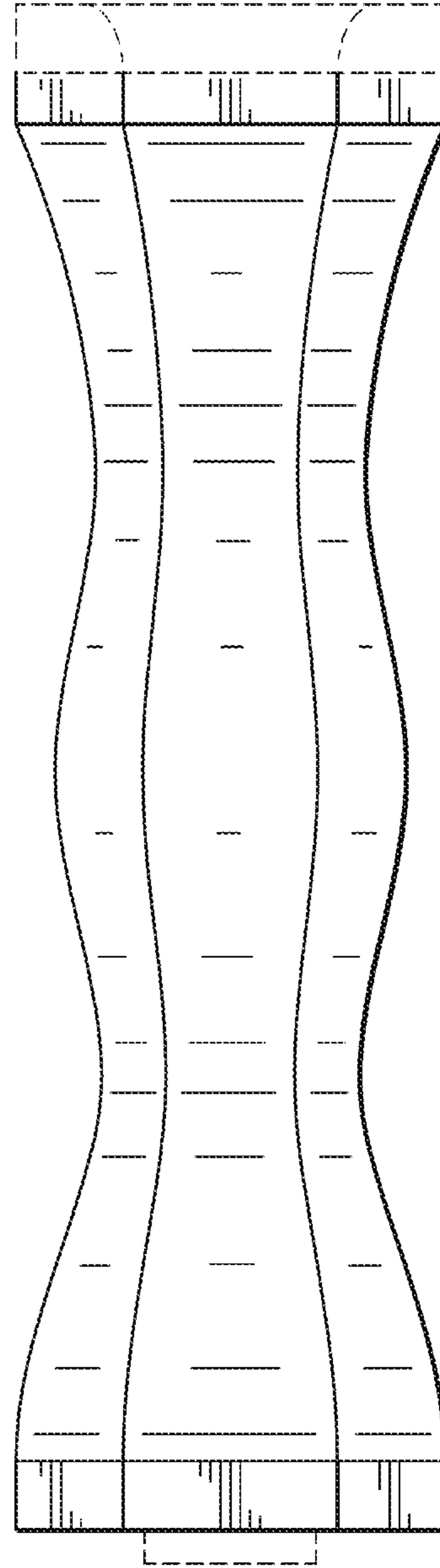


FIG. 11

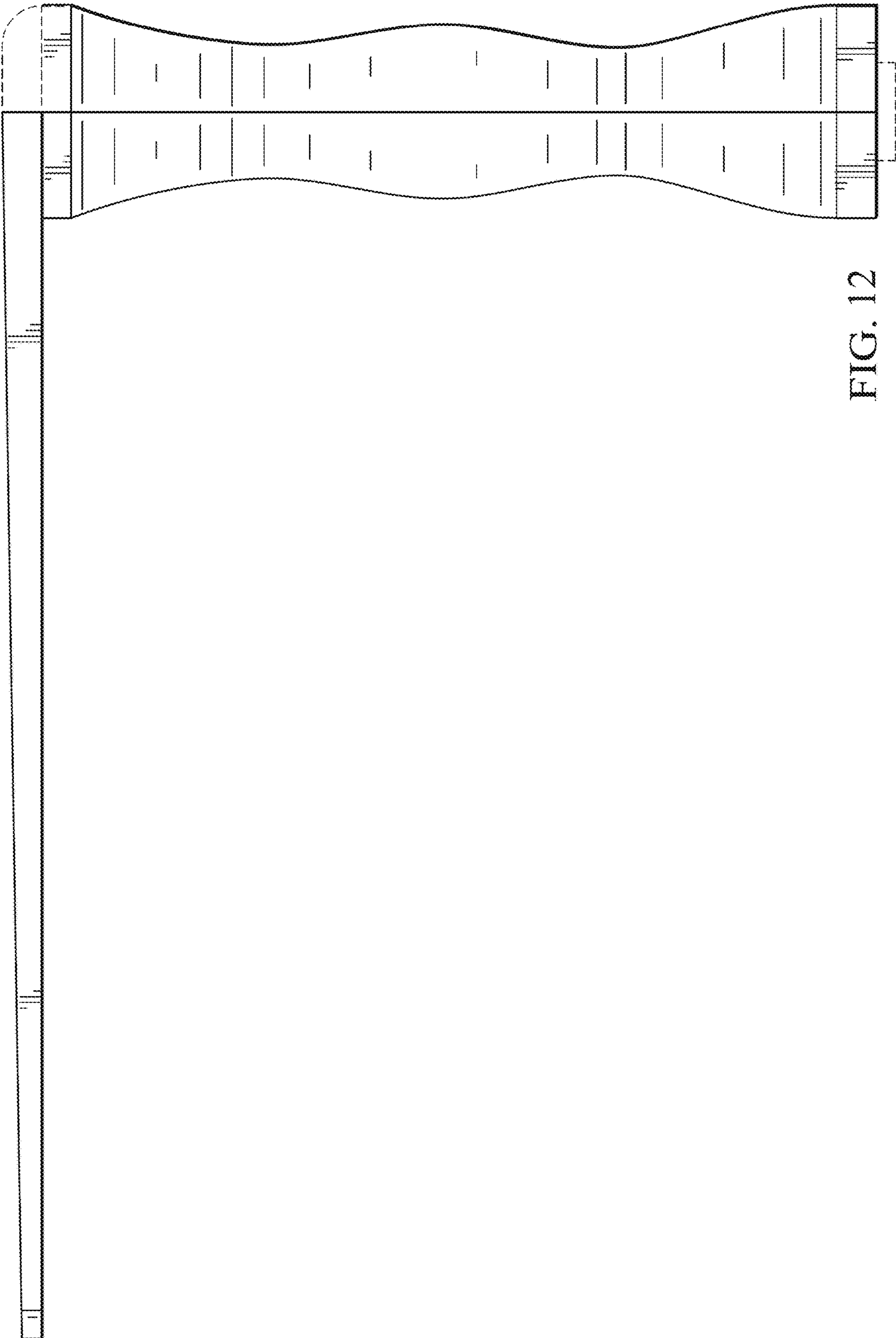


FIG. 12

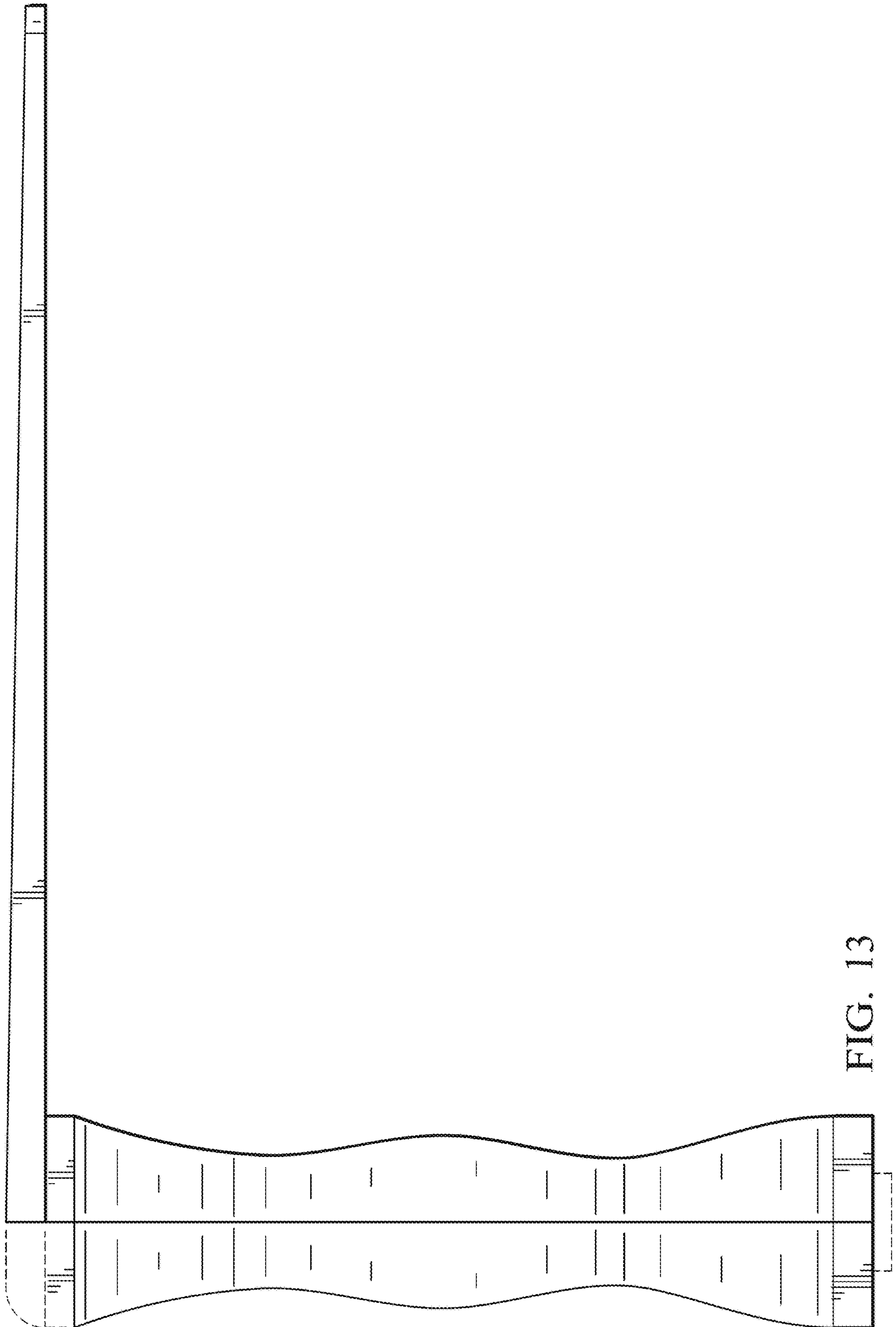


FIG. 13

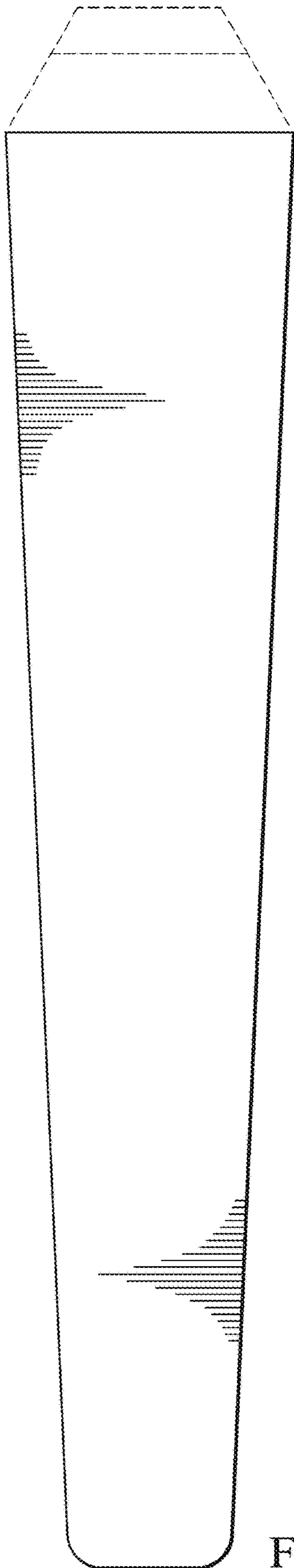


FIG. 14

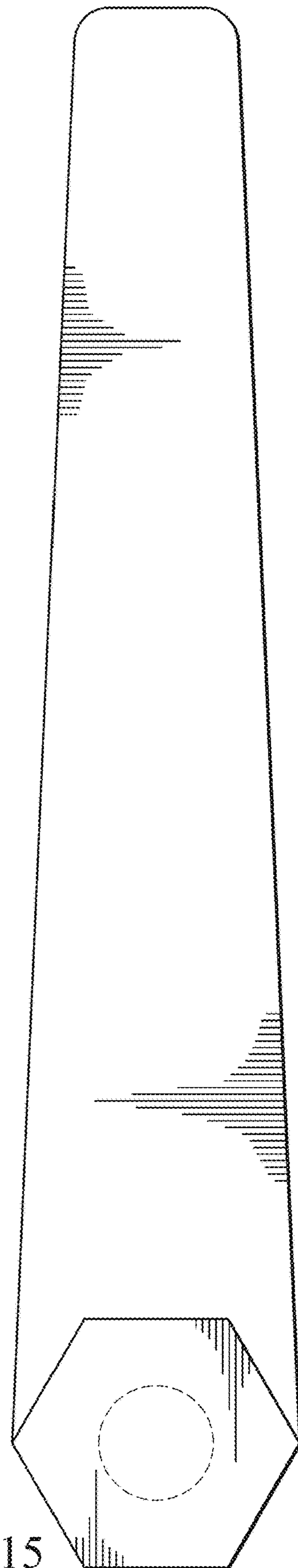


FIG. 15

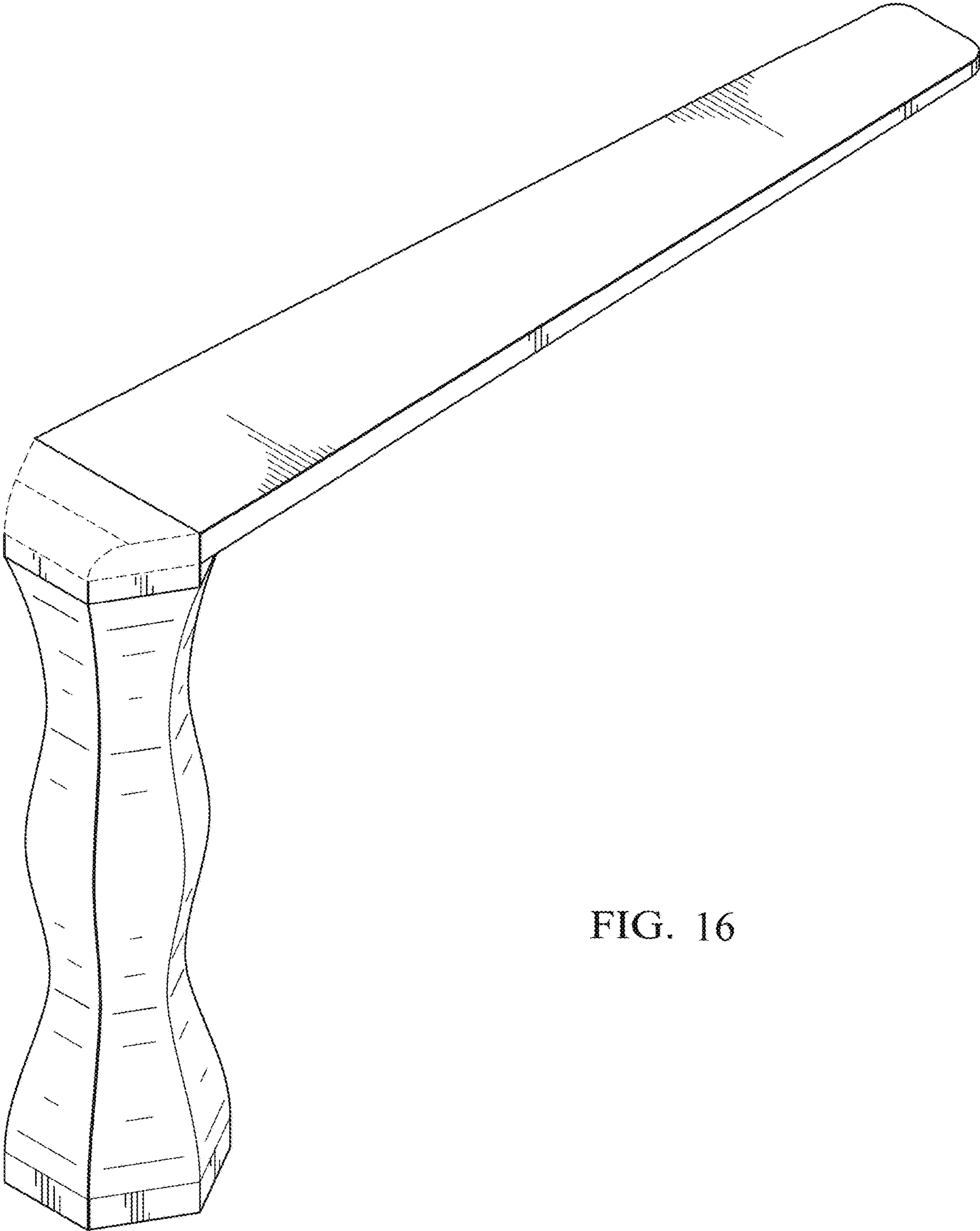


FIG. 16