



US00D986413S

(12) **United States Design Patent** (10) **Patent No.:** **US D986,413 S**
Atterbury et al. (45) **Date of Patent:** **** May 16, 2023**

(54) **DRUG DELIVERY DEVICE**

D432,230 S 10/2000 Utas
D445,176 S 7/2001 Landers
D447,797 S 9/2001 Odell et al.

(71) Applicant: **Eli Lilly and Company**, Indianapolis, IN (US)

(Continued)

(72) Inventors: **William Godwin Atterbury**, Columbus, OH (US); **Steven Michael Madland**, Columbus, OH (US); **Beverly Anne Piatt**, Columbus, OH (US); **Jessica Diane Young**, Columbus, OH (US)

FOREIGN PATENT DOCUMENTS

RU 00133833 * 11/2022
WO 2007002052 1/2007

(Continued)

(73) Assignee: **Eli Lilly and Company**, Indianapolis, IN (US)

Taltz Injection Devices, Eli Lilly and Co., [Post date Sep. 11, 2018], [Site seen Dec. 12, 2022], Seen at URL: <https://www.packagingdigest.com/drug-delivery-devices/novel-drug-delivery-devices-merit-coveted-mdea-awards> (Year: 2018).*

(**) Term: **15 Years**

(Continued)

(21) Appl. No.: **29/800,818**

(22) Filed: **Jul. 23, 2021**

Primary Examiner — Natasha Vujcic

Assistant Examiner — Gilbert B Ford

(51) **LOC (14) Cl.** **24-02**

(74) *Attorney, Agent, or Firm* — M. Daniel Spillman

(52) **U.S. Cl.**

(57) **CLAIM**

USPC **D24/114**

We claim, the ornamental design for a drug delivery device, as shown and described.

(58) **Field of Classification Search**

DESCRIPTION

USPC D24/112–114, 108, 127–131, 133, 186

CPC A61J 1/2096; A61M 5/3257; A61M

5/31501; A61M 2205/273; A61M 5/321;

A61M 5/178; A61M 5/31; A61M 5/3146

See application file for complete search history.

FIG. 1 is a bottom, rear perspective view of a drug delivery device, showing the new design; FIG. 2 is a top, front perspective view thereof; FIG. 3 is a front elevation view thereof; FIG. 4 is a rear elevation view thereof; FIG. 5 is a left side elevation view thereof; FIG. 6 is a right-side elevation view thereof; FIG. 7 is a top plan view thereof; and, FIG. 8 is a bottom plan view thereof.

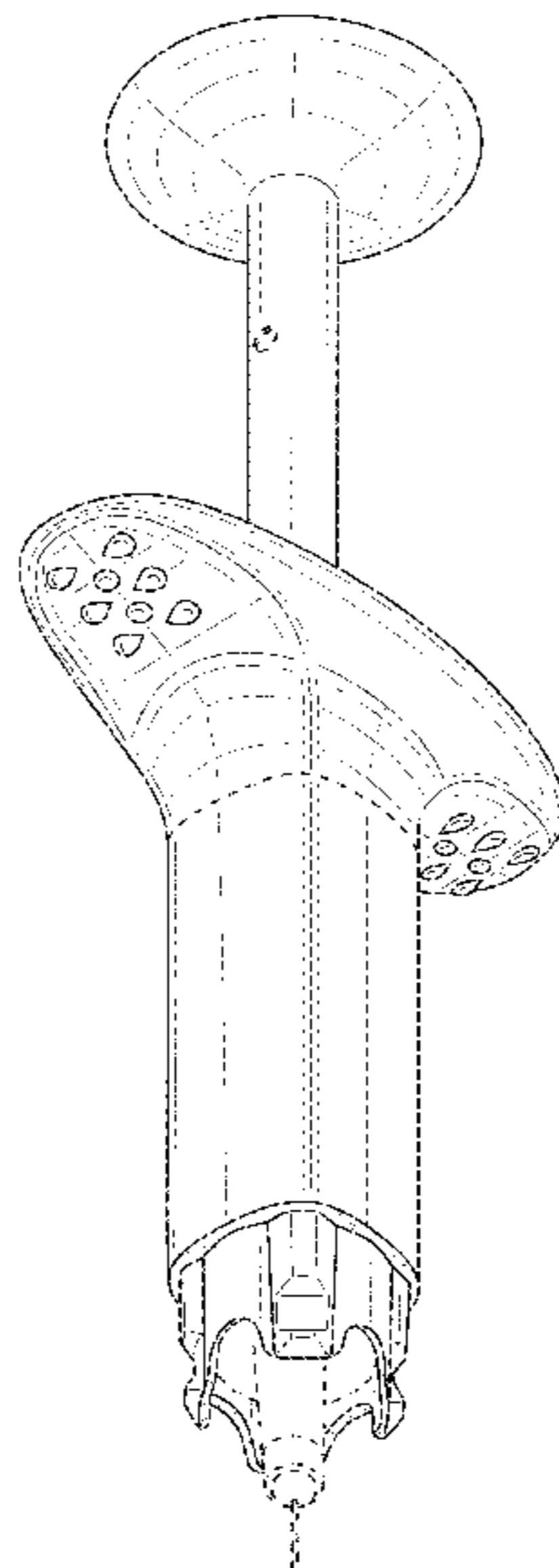
The broken lines of uneven length shown in the drawings illustrate portions of the drug delivery device that form no part of the claimed design. Contrast in materials is shown by line shading in some areas and stipple shading in other areas.

(56) **References Cited**

U.S. PATENT DOCUMENTS

2,105,946 A	1/1938	Lewis
D262,739 S	1/1982	Nitshke
4,801,295 A	1/1989	Spencer
4,994,045 A	2/1991	Ranford
5,393,301 A	2/1995	Goldberg
D383,205 S	9/1997	Pagay et al.
D401,324 S	11/1998	Hjertman et al.
D401,325 S	11/1998	Hjertman et al.

1 Claim, 8 Drawing Sheets



(56)

References Cited

U.S. PATENT DOCUMENTS

6,632,198 B2 10/2003 Caizza
 7,918,824 B2 4/2011 Bishop et al.
 D641,078 S 7/2011 Morgan et al.
 8,034,034 B2 10/2011 Hess et al.
 D649,632 S 11/2011 Morgan et al.
 D661,389 S 6/2012 Morgan et al.
 8,409,138 B2 4/2013 James et al.
 D698,918 S 2/2014 Leiner et al.
 8,702,742 B2 4/2014 Hanlon et al.
 D739,011 S 9/2015 Atterbury et al.
 D747,797 S * 1/2016 Fourt D24/114
 D789,520 S 6/2017 Tseng et al.
 D785,162 S 10/2017 Rock et al.
 9,872,961 B2 1/2018 Fourt et al.
 D819,805 S 6/2018 Knight et al.
 D836,771 S 12/2018 Tseng et al.
 D870,272 S 12/2019 Goulinet et al.
 D890,920 S 7/2020 Lin
 D891,611 S 7/2020 Valentin et al.
 D898,900 S * 10/2020 Atterbury D24/113
 D902,391 S * 11/2020 Scrimgeour D24/113

D910,837 S * 2/2021 Ono D24/112
 D942,819 S * 2/2022 Yang D7/669
 D946,750 S * 3/2022 McLusky D24/114
 D958,327 S * 7/2022 Dennisur D24/113
 2006/0184132 A1 8/2006 Watson
 2007/0078394 A1 4/2007 Gillespie, III
 2009/0182284 A1 7/2009 Morgan
 2014/0025013 A1 1/2014 Dowds et al.

FOREIGN PATENT DOCUMENTS

WO 2007047200 4/2007
 WO 2010104779 9/2010
 WO 2011109205 9/2011
 WO 2013070715 5/2013

OTHER PUBLICATIONS

How to Inject Taltz, Eli Lilly and co, [Post date Jan. 29, 2019], [Site seen Dec. 12, 2022], Seen at URL: https://www.youtube.com/watch?v=RMHLQaq_rn0 (Year: 2019).*

* cited by examiner

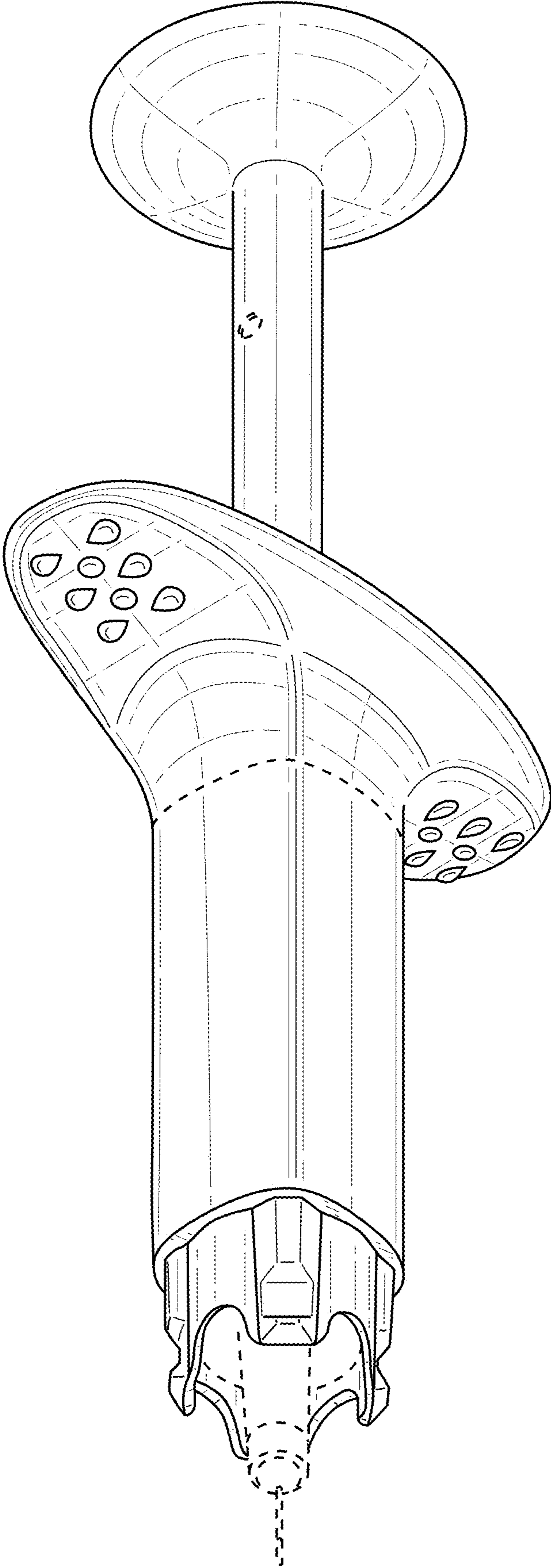


FIG. 1

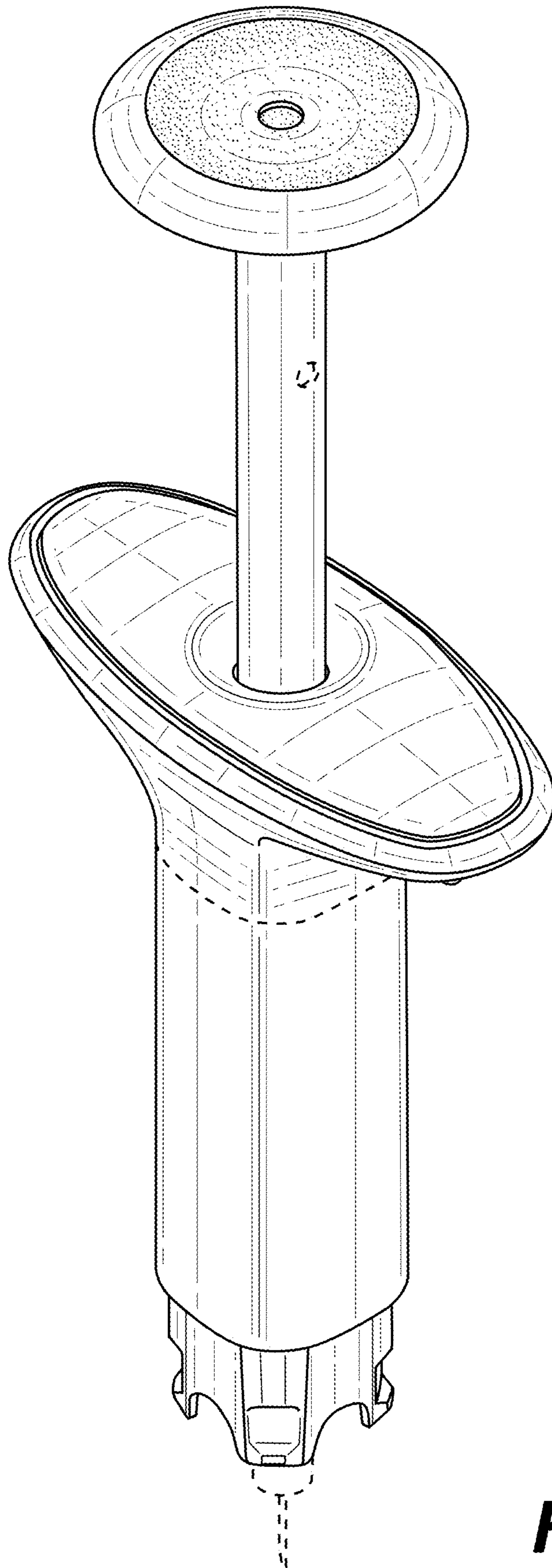


FIG. 2

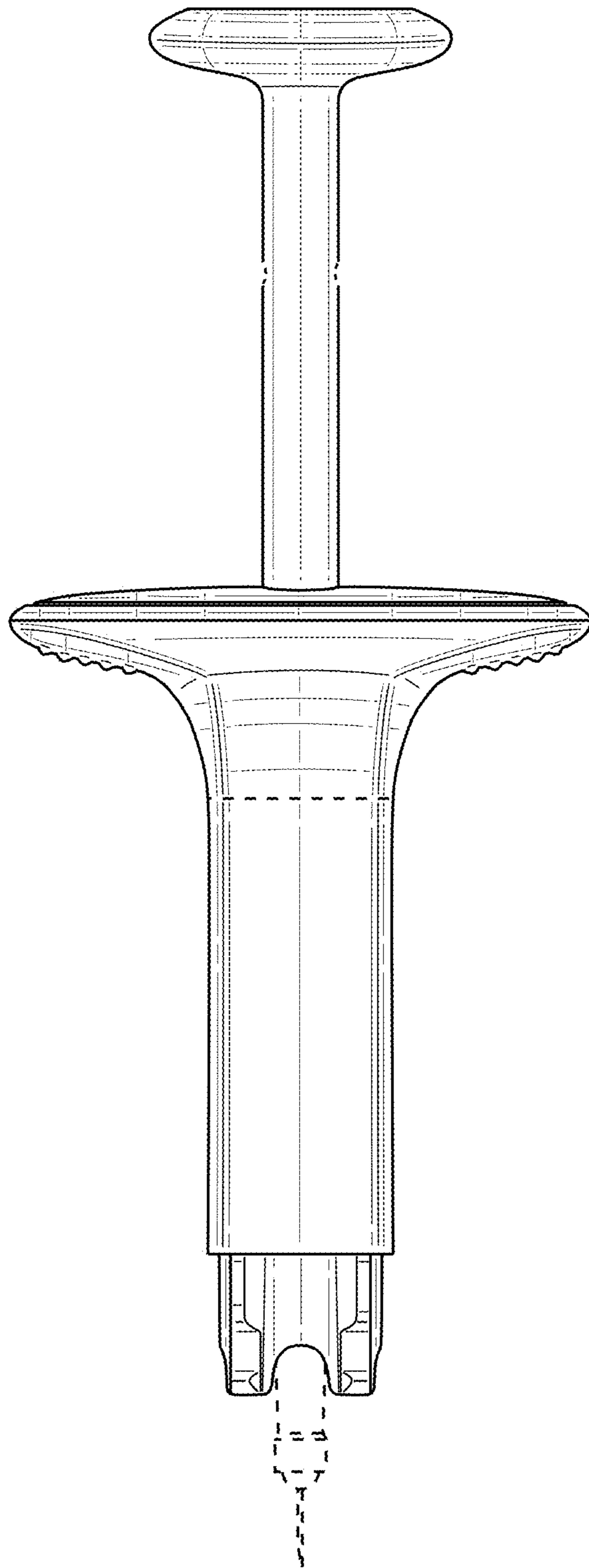


FIG. 3

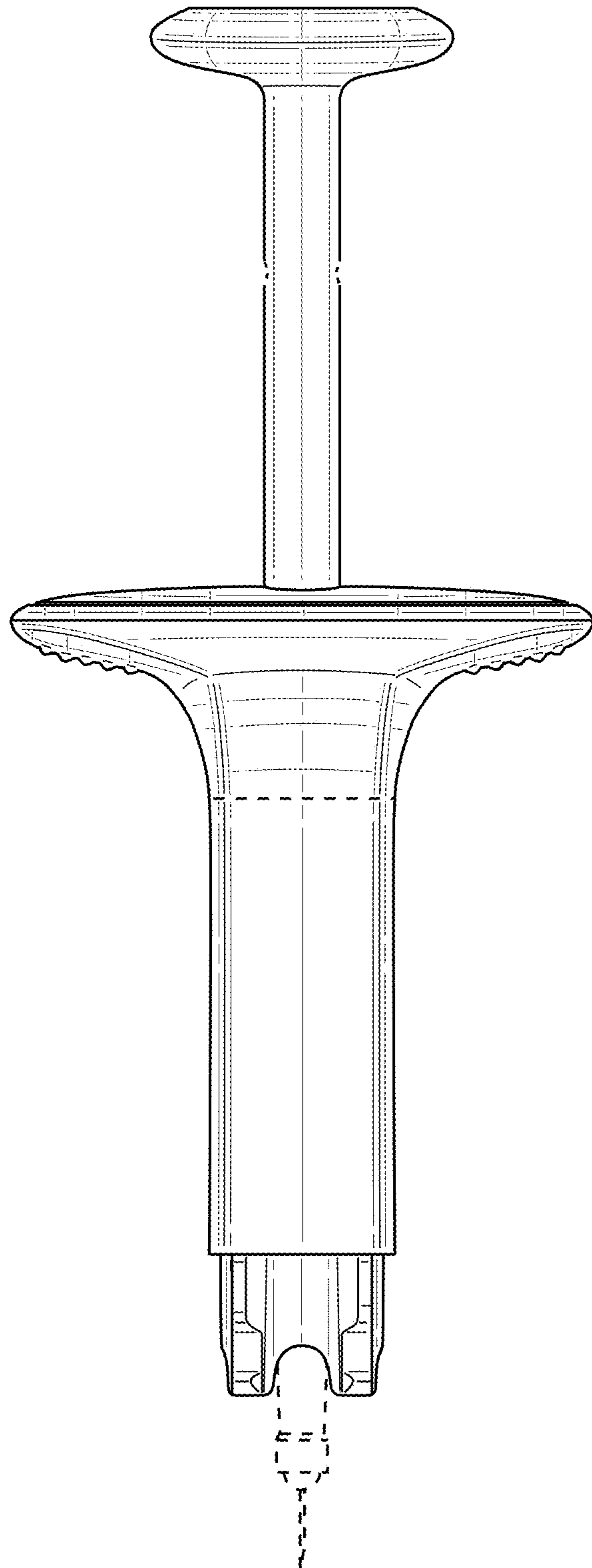


FIG. 4

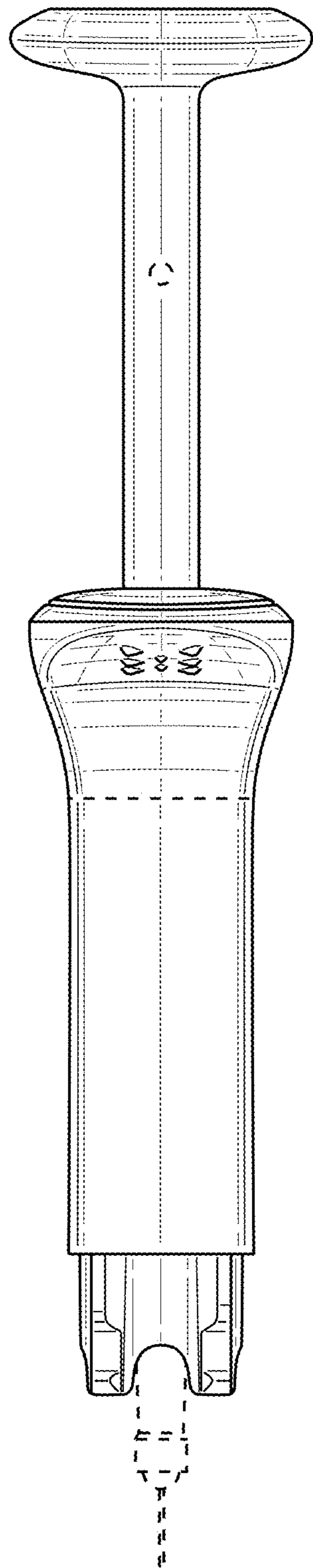


FIG. 5

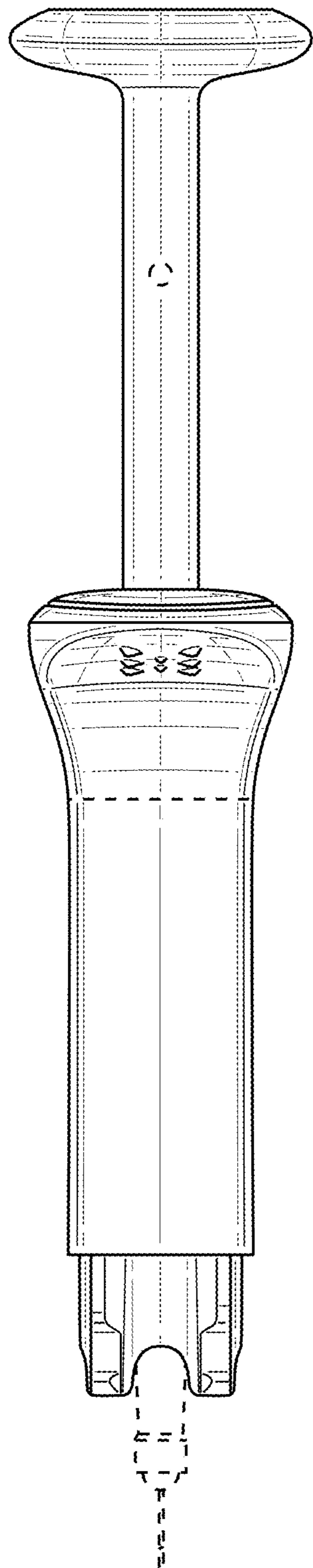


FIG. 6

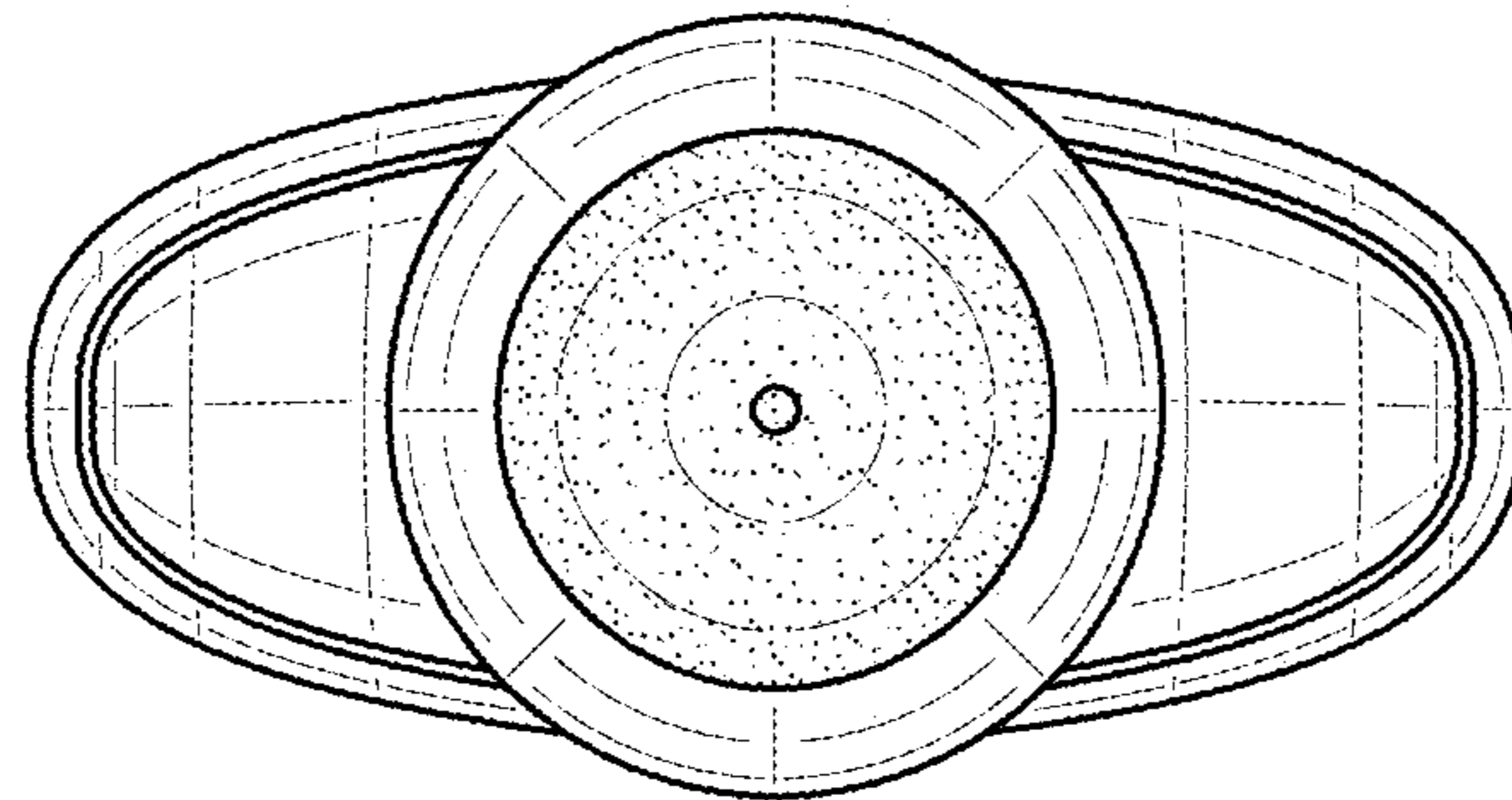


FIG. 7

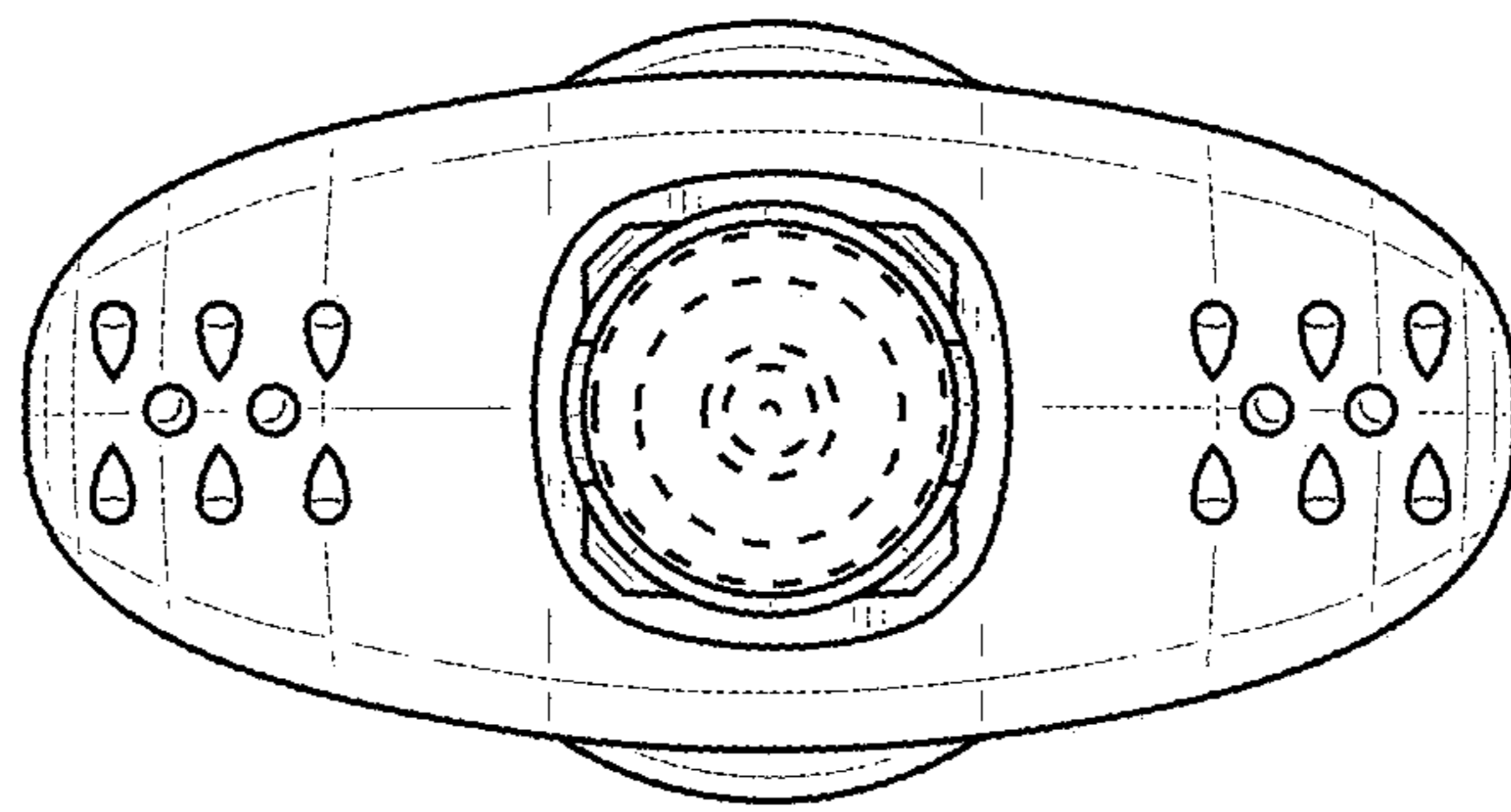


FIG. 8