



US00D986410S

(12) **United States Design Patent**  
**Larrow et al.**

(10) **Patent No.:** **US D986,410 S**

(45) **Date of Patent:** **\*\* May 16, 2023**

(54) **MASK**

(71) Applicant: **CoolTech, LLC**, Baltimore, MD (US)

(72) Inventors: **Chester B. Larrow**, Baltimore, MD (US); **William G. DeMore**, Laurel, MD (US); **Benjamin R. Lane**, Hydes, MD (US); **Aaron S. Pearl**, Marlborough, MA (US)

(\*\*) Term: **15 Years**

(21) Appl. No.: **29/747,812**

(22) Filed: **Aug. 25, 2020**

**Related U.S. Application Data**

(63) Continuation-in-part of application No. 29/678,315, filed on Jan. 28, 2019, now Pat. No. Des. 894,372, which is a continuation-in-part of application No. 16/047,136, filed on Jul. 27, 2018, now Pat. No. 11,109,999.

(51) **LOC (14) Cl.** ..... **29-02**

(52) **U.S. Cl.**  
USPC ..... **D24/110.4**

(58) **Field of Classification Search**  
USPC ..... D24/110, 110.1–110.6, 127, 108, 128, D24/129  
CPC ..... A61M 16/06; A61M 16/0605; A61M 16/0616; A61M 16/0622; A61M 16/0633; A61M 16/0644; A61M 16/0666; A61M 16/0672; A61M 16/0683; A61M 2210/0618; A61M 2202/0208  
See application file for complete search history.

(56) **References Cited**

**U.S. PATENT DOCUMENTS**

D535,742 S \* 1/2007 VonDohlen ..... D24/110.4  
D542,912 S \* 5/2007 Gunaratnam ..... D24/110.5  
D586,907 S \* 2/2009 Judson ..... D24/110.5  
D623,288 S \* 9/2010 Lubke ..... D24/110.4  
D650,064 S \* 12/2011 Gunaratnam ..... D24/110

D656,607 S \* 3/2012 Gunaratnam ..... D24/110.5  
D661,796 S \* 6/2012 Andrews ..... D24/110.5  
D686,313 S \* 7/2013 Matula, Jr. .... D24/110.1

(Continued)

**FOREIGN PATENT DOCUMENTS**

EM 008157176-0008 \* 9/2020

**OTHER PUBLICATIONS**

Assis, Fabrizio R. et al. “Efficacy and Safety of Transnasal CoolStat Cooling Device to Induce and Maintain Hypothermia” Therapeutic Hypothermia and Temperature Management vol. 00, No. 00. Retrieval date: Jan. 27, 2022. Retrieved from internet: <https://www.cooltechcorp.com/wp-content/uploads/2019/06/Efficacy-and-Safety-of-Transnasal-CoolStat-Cooling-Device-to-Induce-and-Maintain-Hypothermia.pdf> (Year: 2019).\*

*Primary Examiner* — Daniel J Domino

*Assistant Examiner* — Lee D. Starr

(74) *Attorney, Agent, or Firm* — Whiteford, Taylor & Preston, LLP; Peter J. Davis

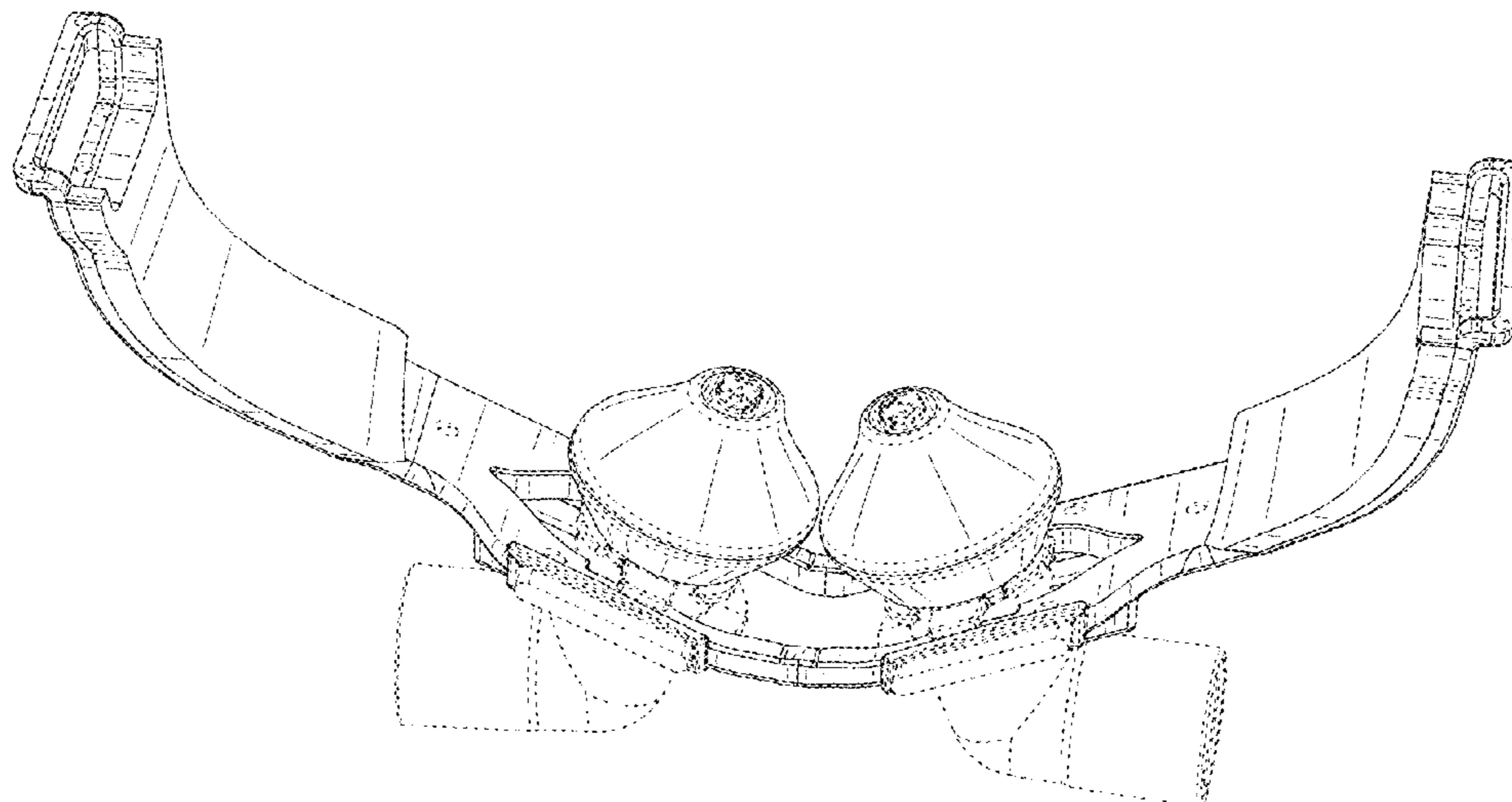
(57) **CLAIM**

The ornamental design for a mask, as shown and described.

**DESCRIPTION**

FIG. 1 is a first front perspective view of a mask, showing our new design;  
FIG. 2 is a front elevational view thereof;  
FIG. 3 is a rear elevational view thereof;  
FIG. 4 is a top plan view thereof;  
FIG. 5 is a bottom plan view thereof;  
FIG. 6 is a top front perspective view thereof;  
FIG. 7 is a second front perspective view thereof;  
FIG. 8 is a bottom rear perspective view thereof;  
FIG. 9 is a right side elevational view thereof; and,  
FIG. 10 is a left side elevational view thereof.  
The broken lines in the drawings depict portions of the mask that form no part of the claimed design.

**1 Claim, 6 Drawing Sheets**



(56)

**References Cited**

U.S. PATENT DOCUMENTS

D691,712	S *	10/2013	Judson	.....	D24/110.1
D704,329	S *	5/2014	Collazo	.....	D24/110.4
D708,736	S *	7/2014	Judson	.....	D24/110.5
D747,460	S *	1/2016	Hogea	.....	D24/110.1
D747,794	S *	1/2016	Greenberg	.....	D24/110.1
D820,432	S *	6/2018	Scheiner	.....	D24/110
10,086,161	B1 *	10/2018	Rashidi	.....	A61M 16/0666
D848,605	S *	5/2019	Eury	.....	D24/110.1
10,485,944	B2 *	11/2019	Harrison	.....	A61M 16/0694
D894,372	S *	8/2020	Larrow	.....	D24/110.4
2005/0199242	A1 *	9/2005	Matula	.....	A61M 16/0816
					128/207.18
2009/0183739	A1 *	7/2009	Wondka	.....	A61M 16/0875
					128/207.18
2011/0155140	A1 *	6/2011	Ho	.....	A61M 16/08
					128/207.18
2011/0232649	A1 *	9/2011	Collazo	.....	A61M 16/0605
					128/207.18
2013/0037030	A1 *	2/2013	Matula, Jr.	.....	A61M 16/0666
					128/205.25
2014/0000614	A1 *	1/2014	Chang	.....	A61M 16/0666
					128/205.25
2014/0326248	A1 *	11/2014	Haibach	.....	A61M 16/0666
					128/207.18
2016/0051784	A1 *	2/2016	Eury	.....	A61M 16/0616
					128/207.18
2021/0093820	A1 *	4/2021	Grashow	.....	A61M 16/0666

\* cited by examiner

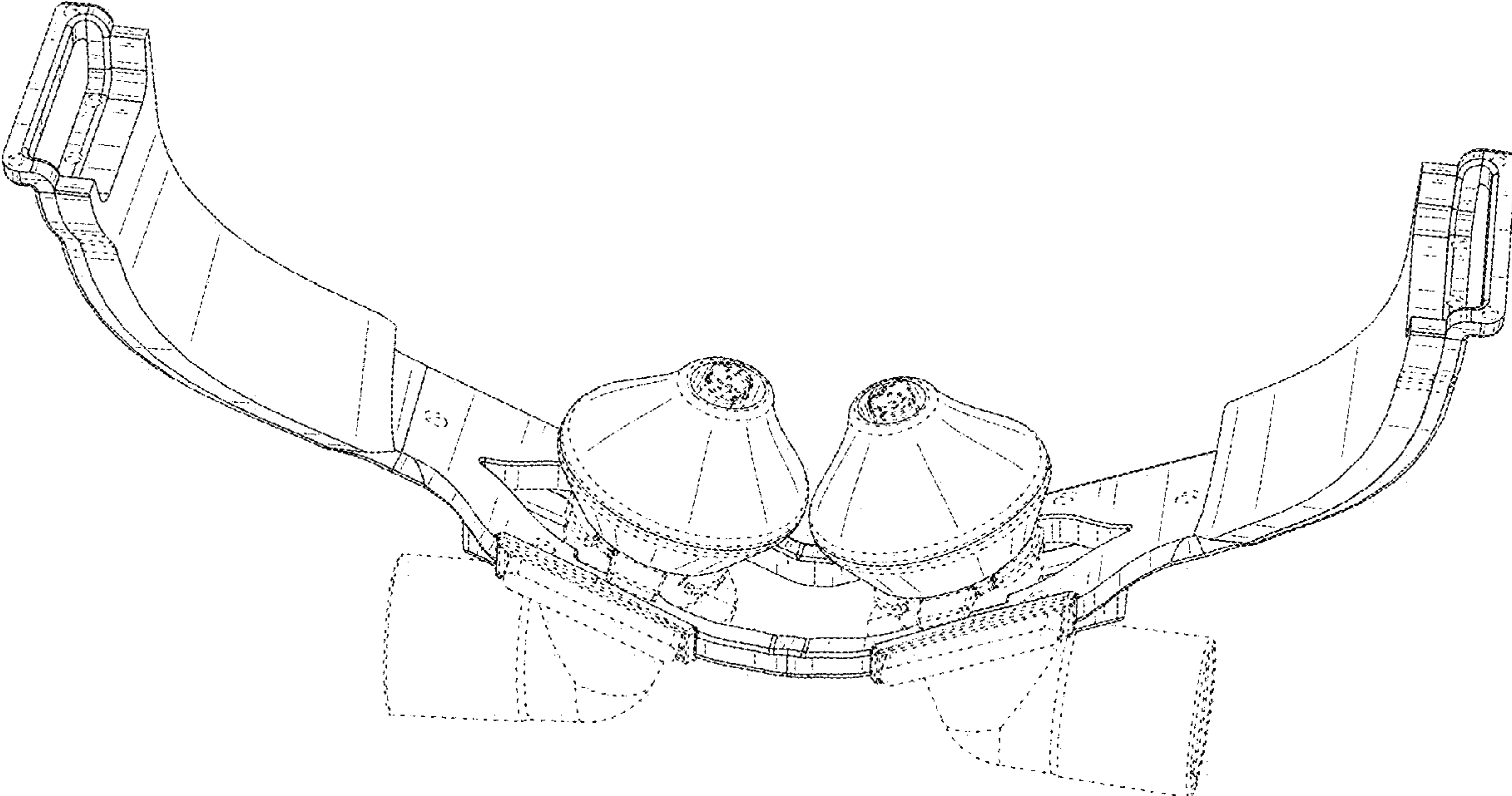


FIG. 1

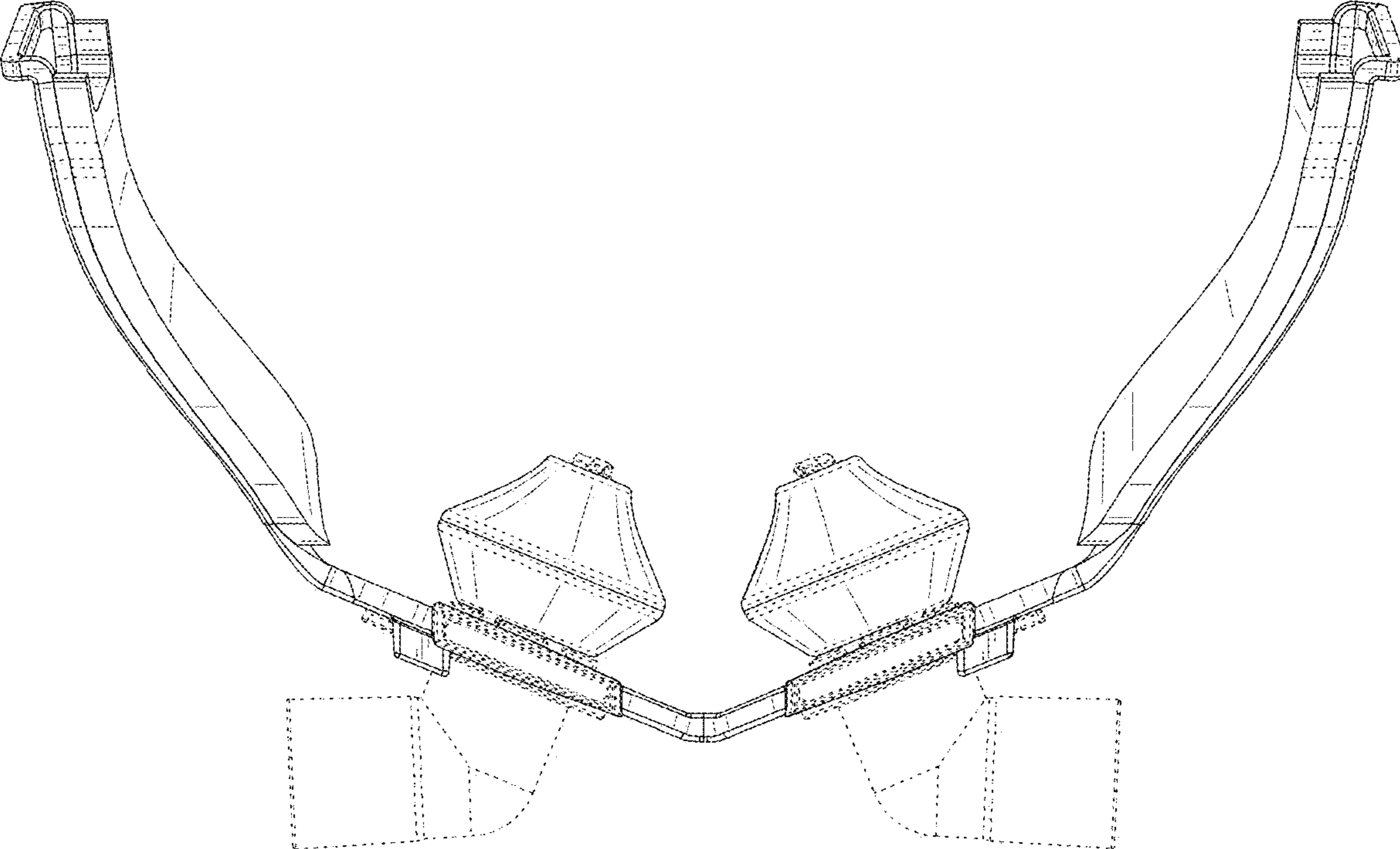


FIG. 2

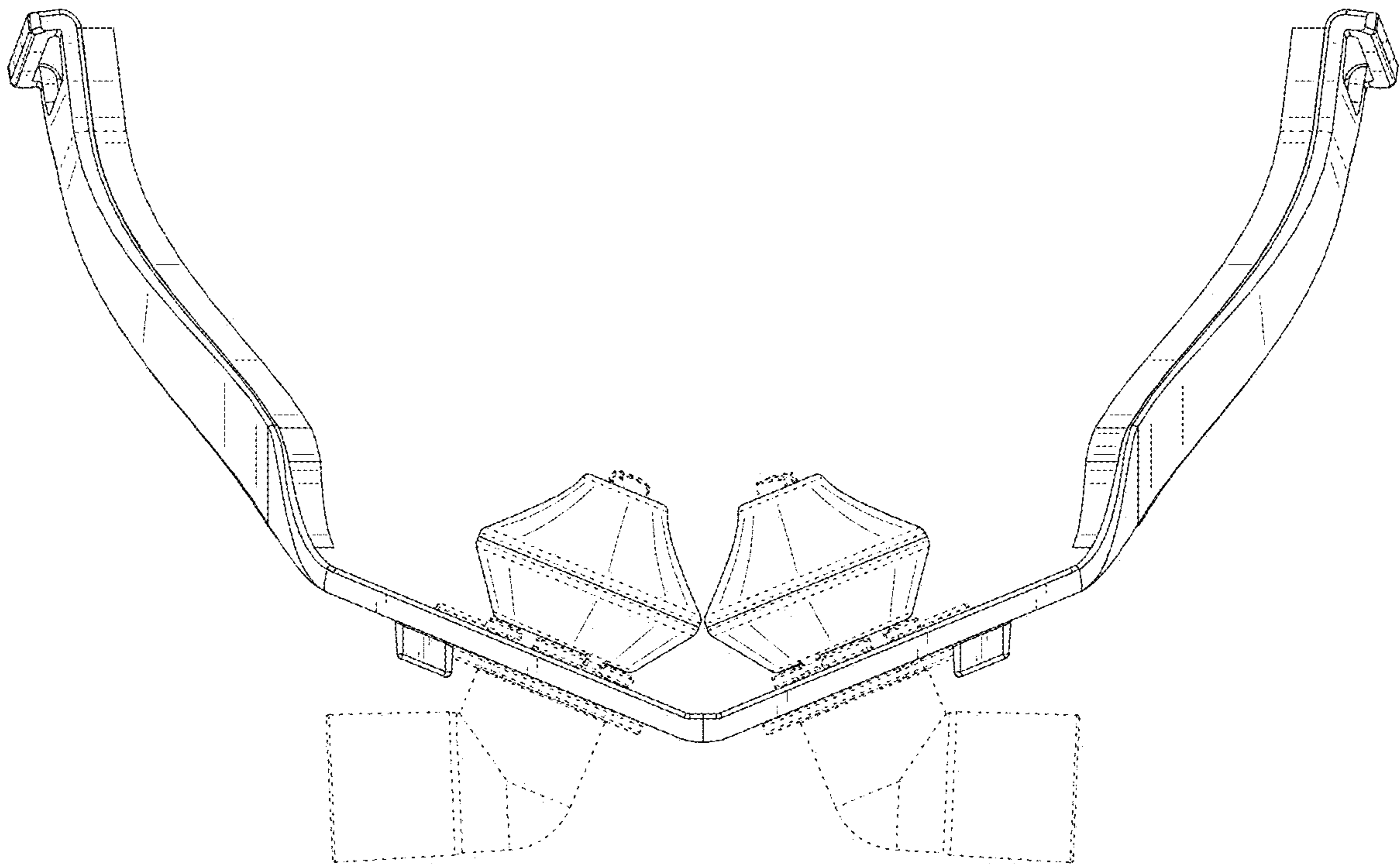


FIG. 3

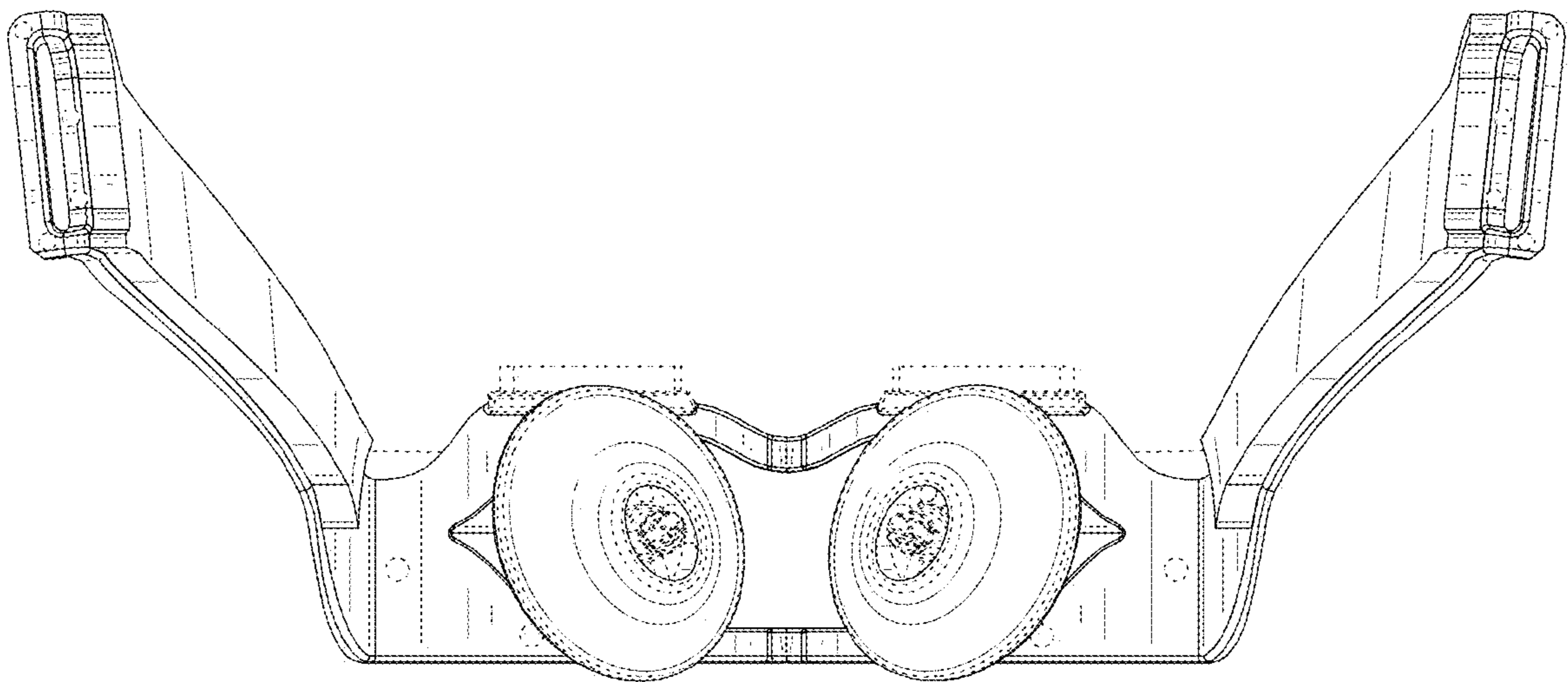


FIG. 4

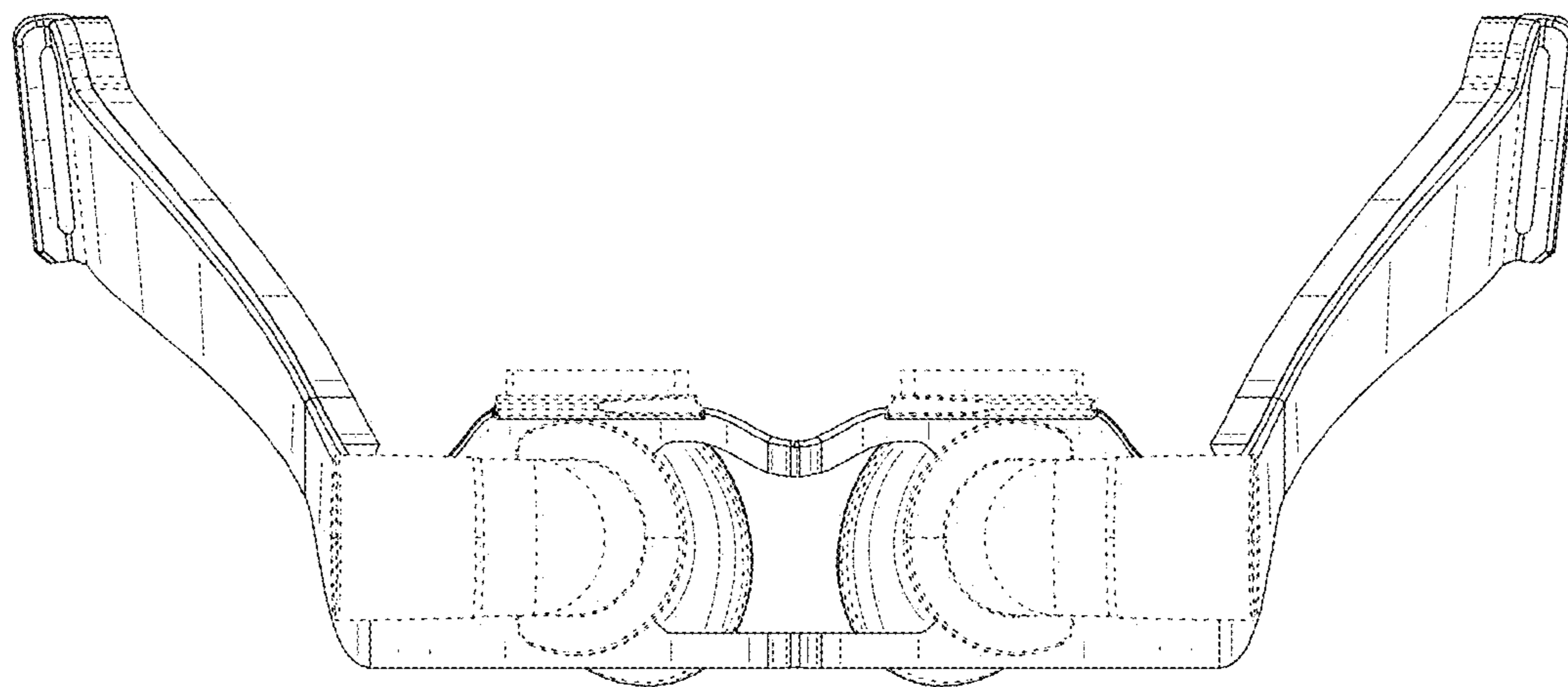


FIG. 5

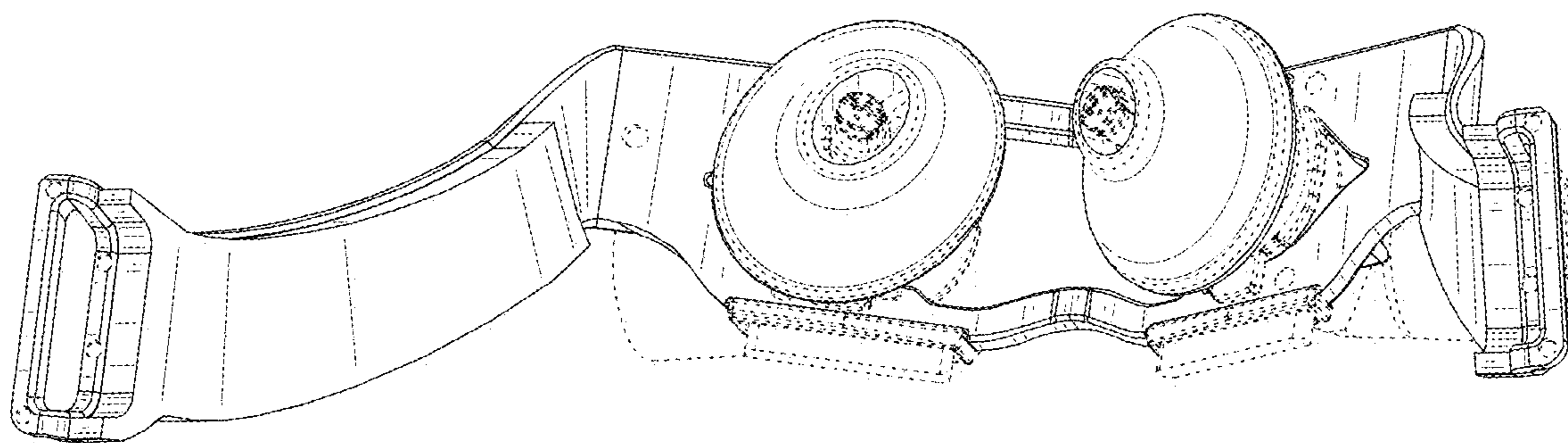


FIG. 6

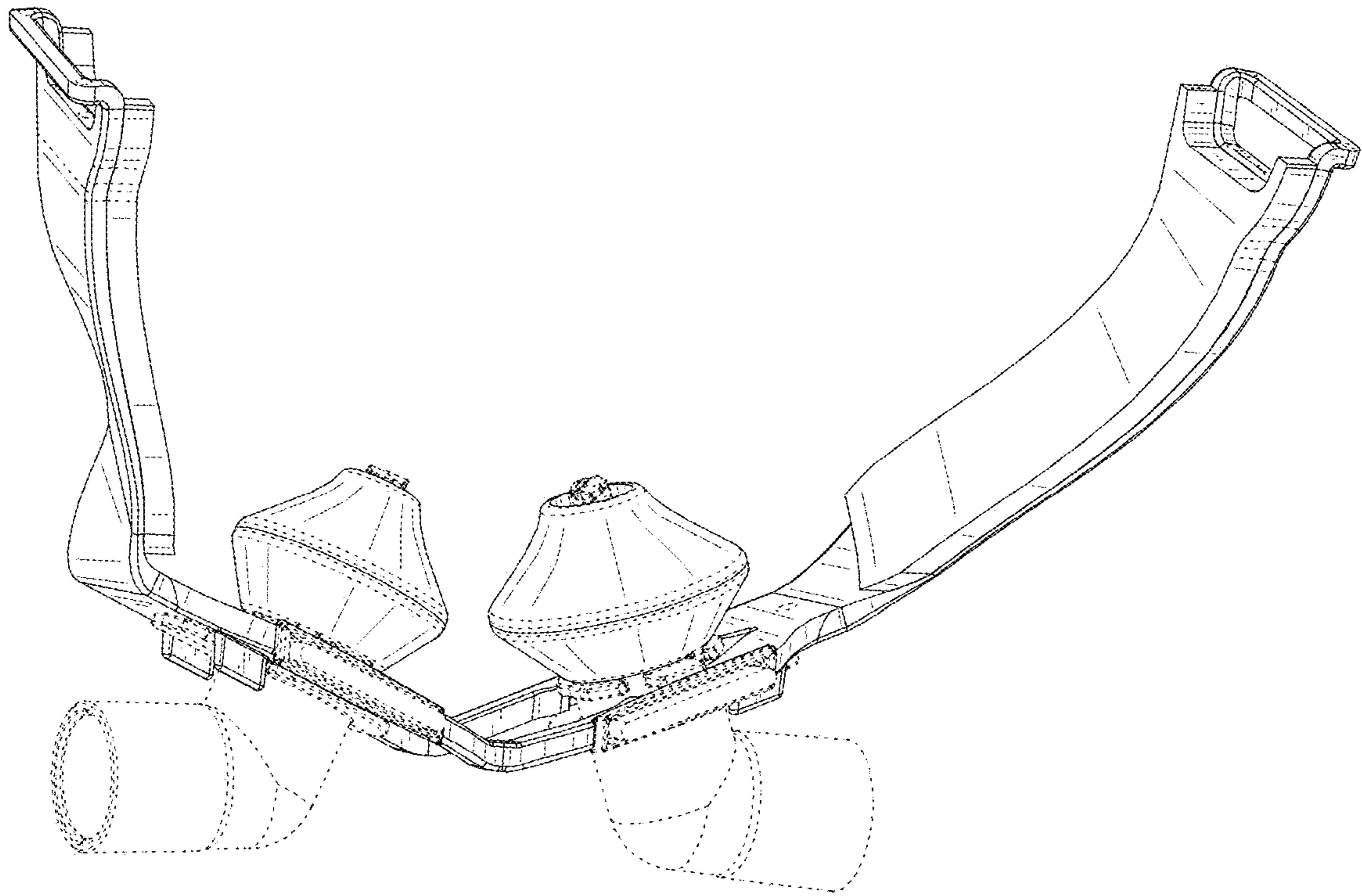


FIG. 7

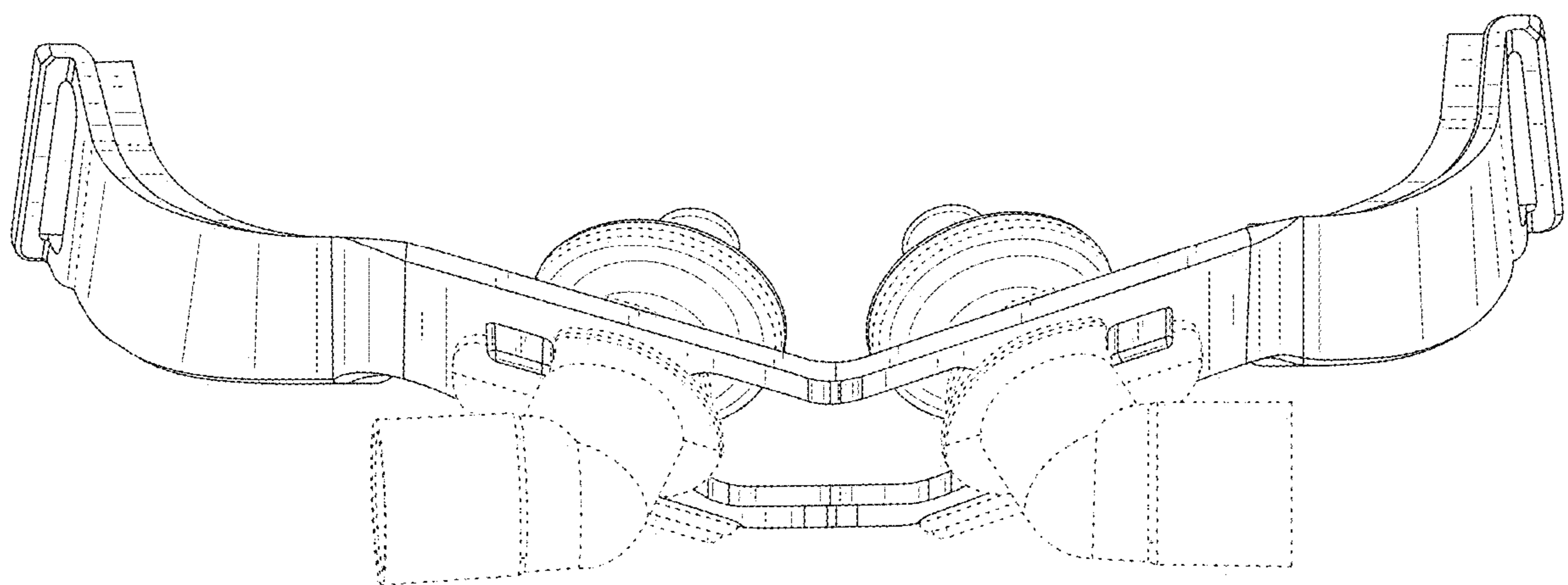


FIG. 8

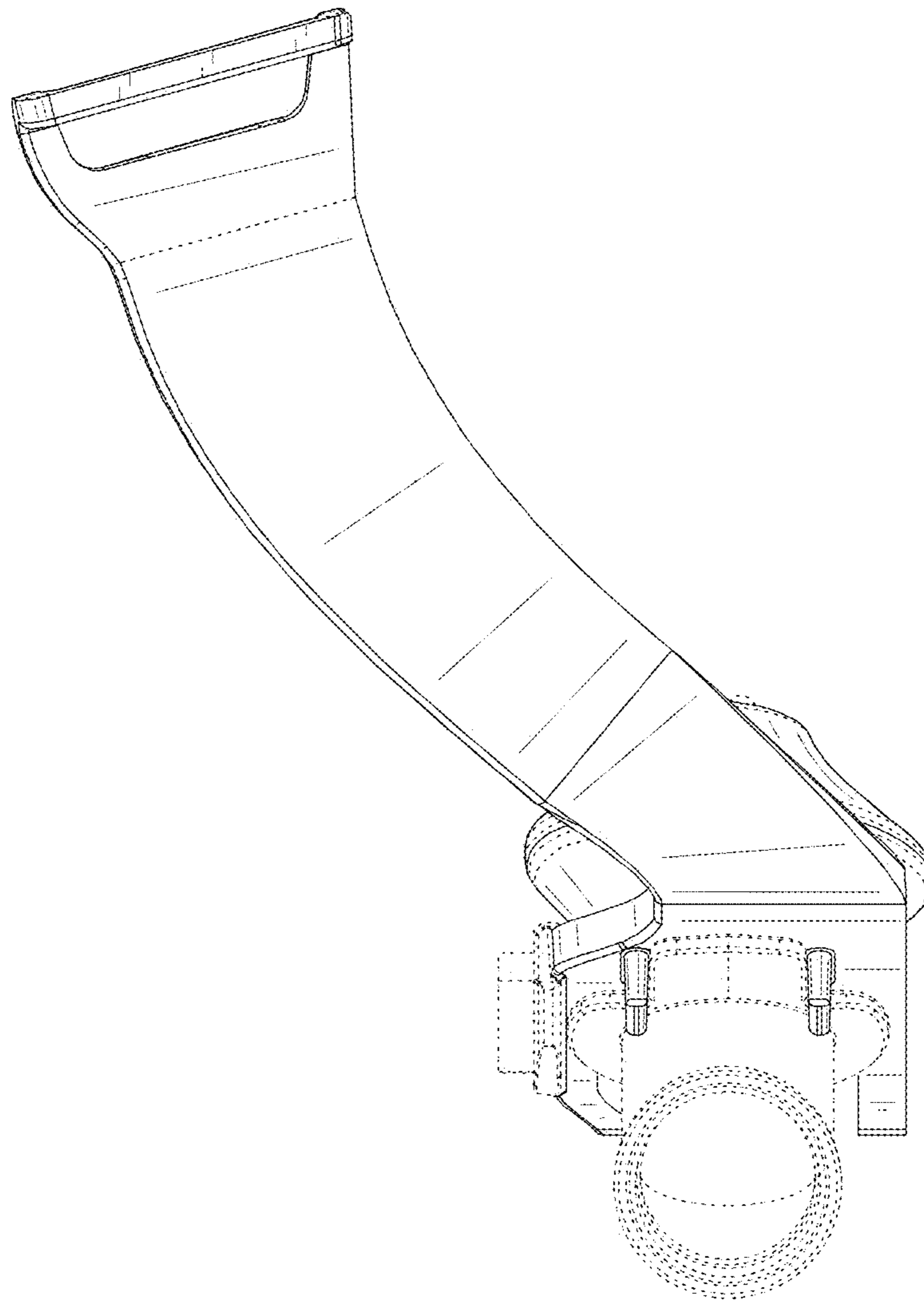


FIG. 9

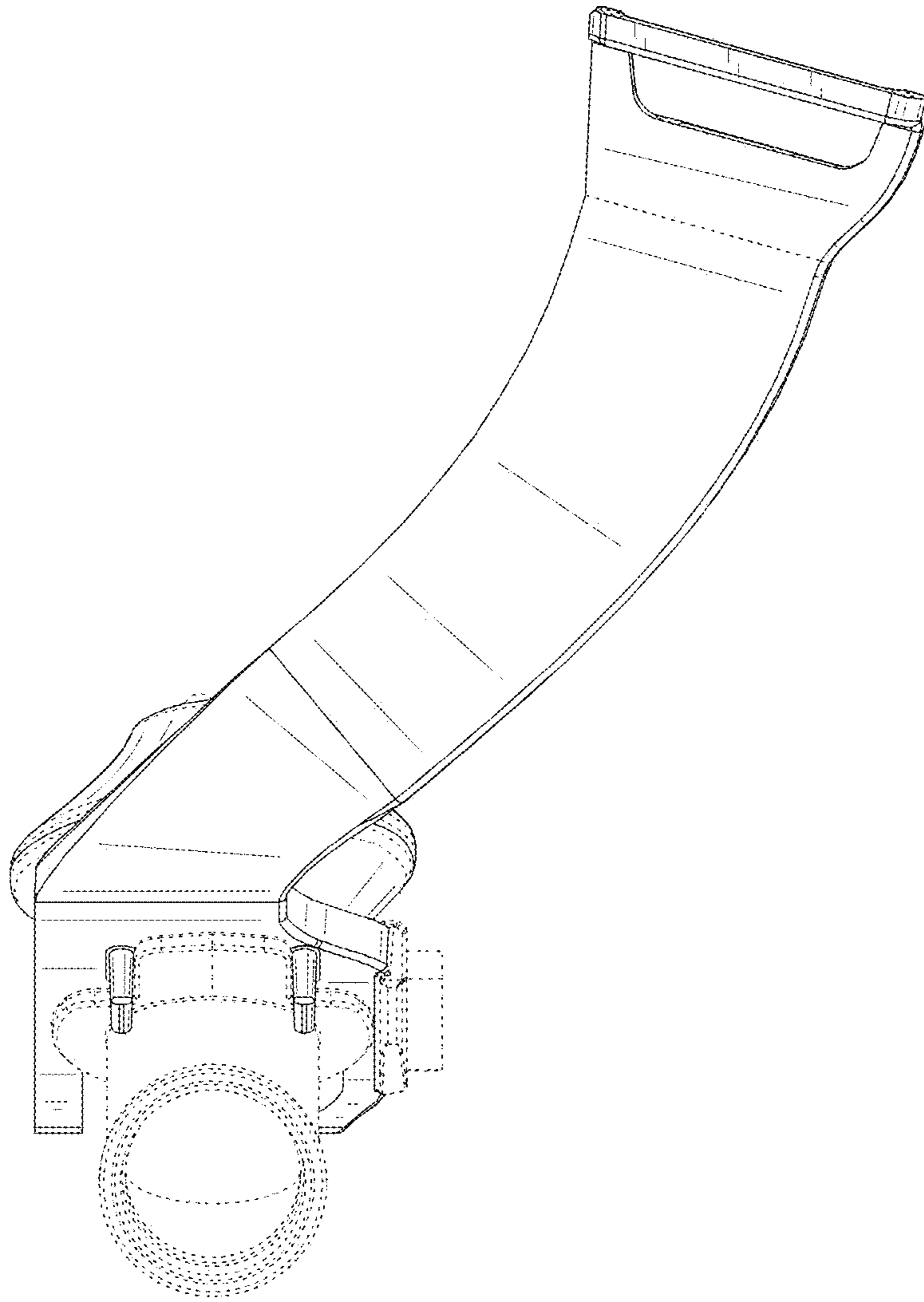


FIG. 10