



US00D986409S

(12) **United States Design Patent**
Virr et al.

(10) **Patent No.:** **US D986,409 S**
(45) **Date of Patent:** **** May 16, 2023**

(54) **BREATHING APPARATUS**

(71) Applicant: **PAFtec Technologies Pty Ltd,**
Artarmon (AU)

(72) Inventors: **Alexander Virr,** Balmain (AU); **Xiaoyi Fu,** Epping (AU); **John Michael Snow,** Killarney Heights (AU); **Dan Kao,** Northbridge (AU); **Damian Charles Johnson,** Fairlight (AU)

(73) Assignee: **CLEANSPACE IP PTY LTD,**
Artarmon (AU)

(**) Term: **15 Years**

(21) Appl. No.: **29/671,976**

(22) Filed: **Nov. 30, 2018**

Related U.S. Application Data

(63) Continuation-in-part of application No. 29/533,082,
filed on Jul. 14, 2015, now abandoned.

(51) **LOC (14) Cl.** **29-02**

(52) **U.S. Cl.**
USPC **D24/110.2**

(58) **Field of Classification Search**
USPC D24/110.1–110.4, 110.6, 162; D29/107,
D29/108, 110

(Continued)

(56) **References Cited**

U.S. PATENT DOCUMENTS

3,890,647 A * 6/1975 Warncke A62B 18/082
15/250.18
4,595,003 A * 6/1986 Shoemaker A62B 18/02
128/201.19

(Continued)

Primary Examiner — Daniel J Domino

Assistant Examiner — Lee D. Starr

(74) *Attorney, Agent, or Firm* — Flener IP & Business
Law; Zareefa B. Flener

(57) **CLAIM**

An ornamental design for a breathing apparatus, as shown
and described.

DESCRIPTION

FIG. 1 is a top plan view of a breathing apparatus showing
our new design;

FIG. 2 is a front perspective view of the breathing apparatus
of FIG. 1;

FIG. 3 is a right elevational view of the breathing apparatus
of FIG. 1;

FIG. 4 is a front elevational view of the breathing apparatus
of FIG. 1;

FIG. 5 is a left elevational view of the breathing apparatus
of FIG. 1;

FIG. 6 is a bottom plan view of the breathing apparatus of
FIG. 1;

FIG. 7 is a rear perspective view of the breathing apparatus
of FIG. 1;

FIG. 8 is a rear elevational view of the breathing apparatus
of FIG. 1;

FIG. 9 is a top plan view of the outer mask of the breathing
apparatus of FIG. 1, shown separately for ease of illustra-
tion;

FIG. 10 is a front perspective view of the outer mask of FIG.
9;

FIG. 11 is a front elevational view of the outer mask of FIG.
9;

FIG. 12 is a left elevational view of the outer mask of FIG.
9;

FIG. 13 is a bottom plan view of the outer mask of FIG. 9;

FIG. 14 is a rear perspective view of the outer mask of FIG.
9;

FIG. 15 is a rear elevational view of the outer mask of FIG.
9;

FIG. 16 is a top plan view of the air flow generator
connected to the harness connector of the breathing appa-
ratus of FIG. 1, shown separately for ease of illustration;

(Continued)

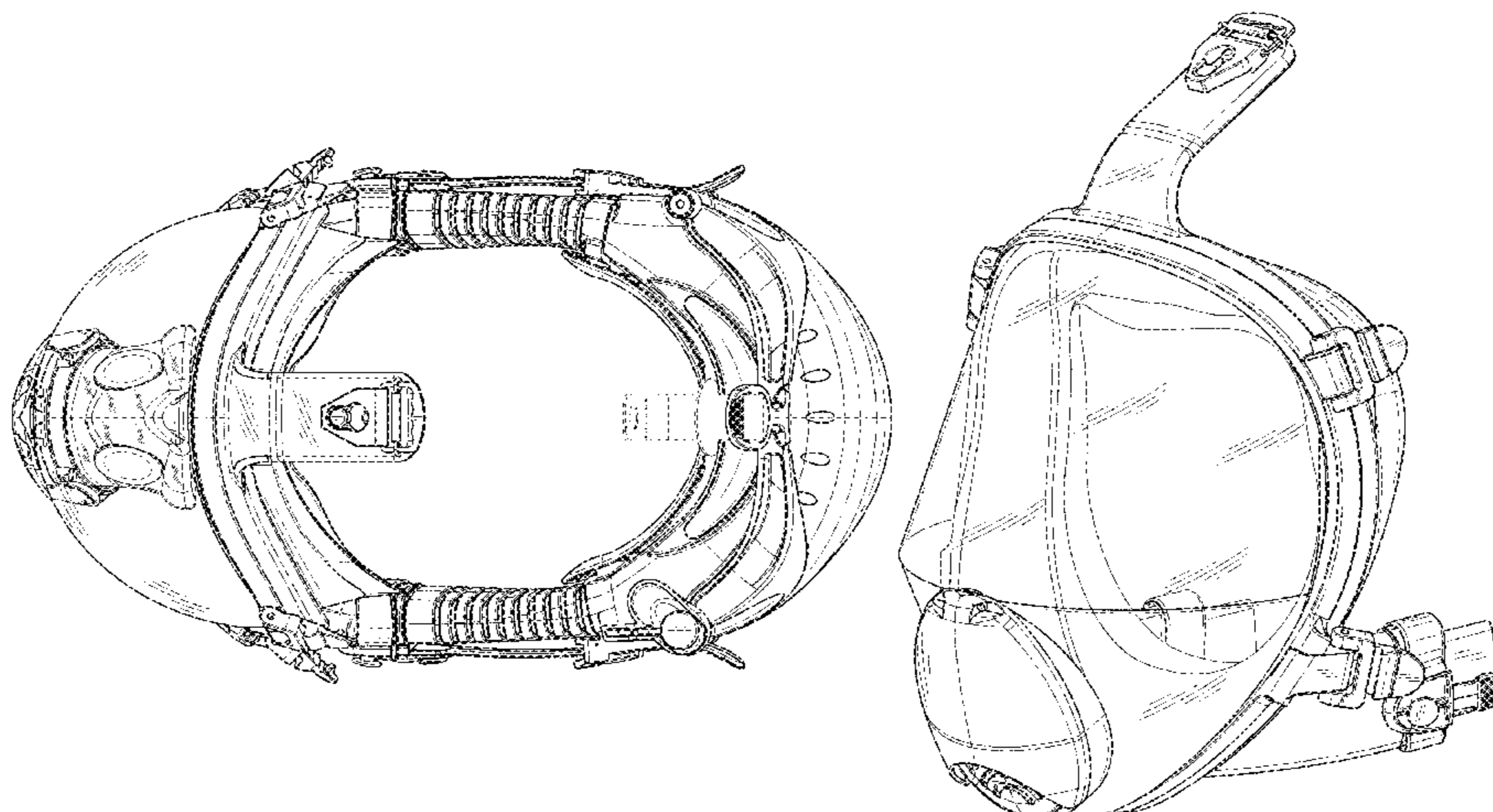


FIG. 17 is a front perspective view of the air flow generator and harness connector of FIG. 16;
 FIG. 18 is a rear elevational view of the air flow generator and harness connector of FIG. 16;
 FIG. 19 is a right elevational view of the air flow generator and harness connector of FIG. 16;
 FIG. 20 is a bottom plan view of the air flow generator and harness connector of FIG. 16;
 FIG. 21 is a rear perspective view of the air flow generator and harness connector of FIG. 16;
 FIG. 22 is a front elevational view of the air flow generator and harness connector of FIG. 16;
 FIG. 23 is a top plan view of the inner mask of the breathing apparatus of FIG. 1, shown separately for ease of illustration;
 FIG. 24 is a front perspective view of the inner mask of FIG. 23;
 FIG. 25 is a right elevational view of the inner mask of FIG. 23;
 FIG. 26 is a front elevational view of the inner mask of FIG. 23;
 FIG. 27 is a left elevational view of the inner mask of FIG. 23;
 FIG. 28 is a bottom plan view of the inner mask of FIG. 23; and,
 FIG. 29 is a rear perspective view of the inner mask of FIG. 23.
 The broken lines shown in the drawings represent unclaimed portions of the breathing apparatus and form no part of the breathing apparatus design.

1 Claim, 29 Drawing Sheets

(58) **Field of Classification Search**

CPC A62B 18/006; A62B 7/10; A62B 18/045;
 A62B 18/08; A62B 18/04; A62B 18/082;
 A62B 18/02; A62B 18/00; A42B 3/288;
 A42B 3/225; A42B 3/286
 See application file for complete search history.

(56) **References Cited**

U.S. PATENT DOCUMENTS

D378,610 S * 3/1997 Reischel D24/110.1

5,924,420	A *	7/1999	Reischel	A62B 18/08
					128/206.17
D574,486	S *	8/2008	Betz	D24/110.2
D602,154	S *	10/2009	Ono	D24/110.2
9,034,489	B2 *	5/2015	Jing	B82Y 30/00
					106/287.1
9,155,923	B2 *	10/2015	Proctor	A62B 18/02
D872,854	S *	1/2020	Virr	D24/110.2
11,420,079	B2 *	8/2022	Thompson	A62B 18/082
11,471,712	B2 *	10/2022	Thompson	A62B 18/04
2003/0047183	A1 *	3/2003	Kiefer	A62B 9/04
					128/201.15
2009/0025727	A1 *	1/2009	Klun	A62B 18/082
					128/206.21
2010/0065058	A1 *	3/2010	Ungar	A62B 18/02
					128/206.24
2010/0258131	A1 *	10/2010	Gaffney	A62B 18/08
					128/206.24
2011/0100372	A1 *	5/2011	Betz	A62B 9/04
					128/206.19
2012/0174922	A1 *	7/2012	Virr	A61M 16/0066
					128/203.12
2012/0222674	A1 *	9/2012	Ono	A62B 9/006
					128/202.22
2013/0139816	A1 *	6/2013	Proctor	A62B 18/02
					128/204.15
2014/0034049	A1 *	2/2014	Castiglione	A62B 9/04
					128/202.27
2014/0373846	A1 *	12/2014	Kao	A62B 7/10
					128/204.23
2015/0034080	A1 *	2/2015	Furuichi	A62B 18/08
					128/201.19
2015/0297920	A1 *	10/2015	Takeuchi	A41D 13/0025
					2/455
2016/0001111	A1 *	1/2016	Morgan	A62B 18/02
					128/205.12
2016/0129286	A1 *	5/2016	Danford	A62B 18/02
					128/206.21
2016/0236016	A1 *	8/2016	Ono	A62B 18/02
2017/0021203	A1 *	1/2017	Baker	A62B 19/00
2017/0361134	A1 *	12/2017	Virr	A62B 18/082
2018/0001120	A1 *	1/2018	Virr	A62B 18/025
2019/0118007	A1 *	4/2019	Thompson	A62B 18/084
2020/0406069	A1 *	12/2020	Fu	A62B 18/084
2021/0205641	A1 *	7/2021	Yamamoto	A62B 7/02
2022/0305303	A1 *	9/2022	Thompson	A62B 18/08

* cited by examiner

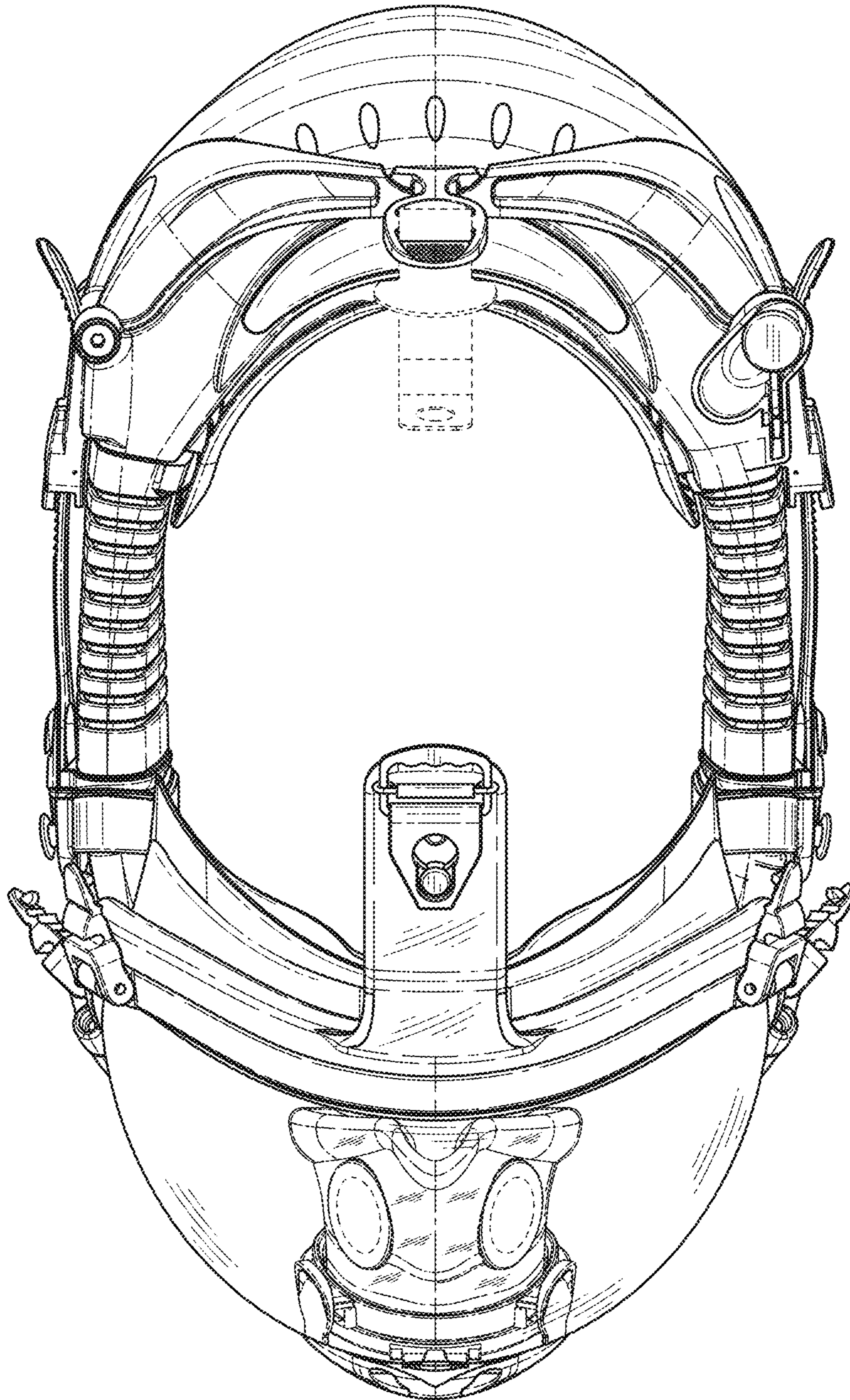


FIG. 1

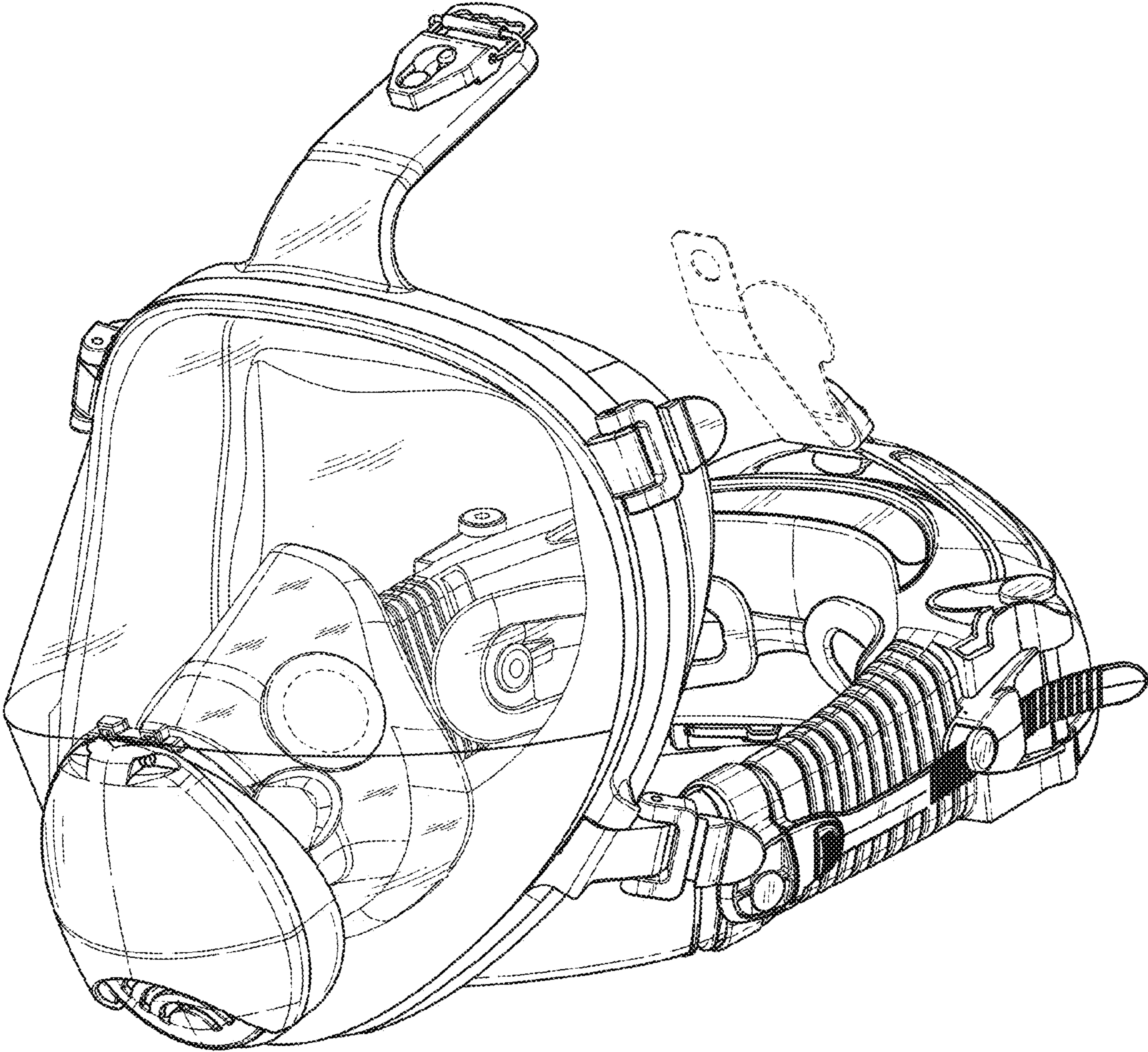


FIG. 2

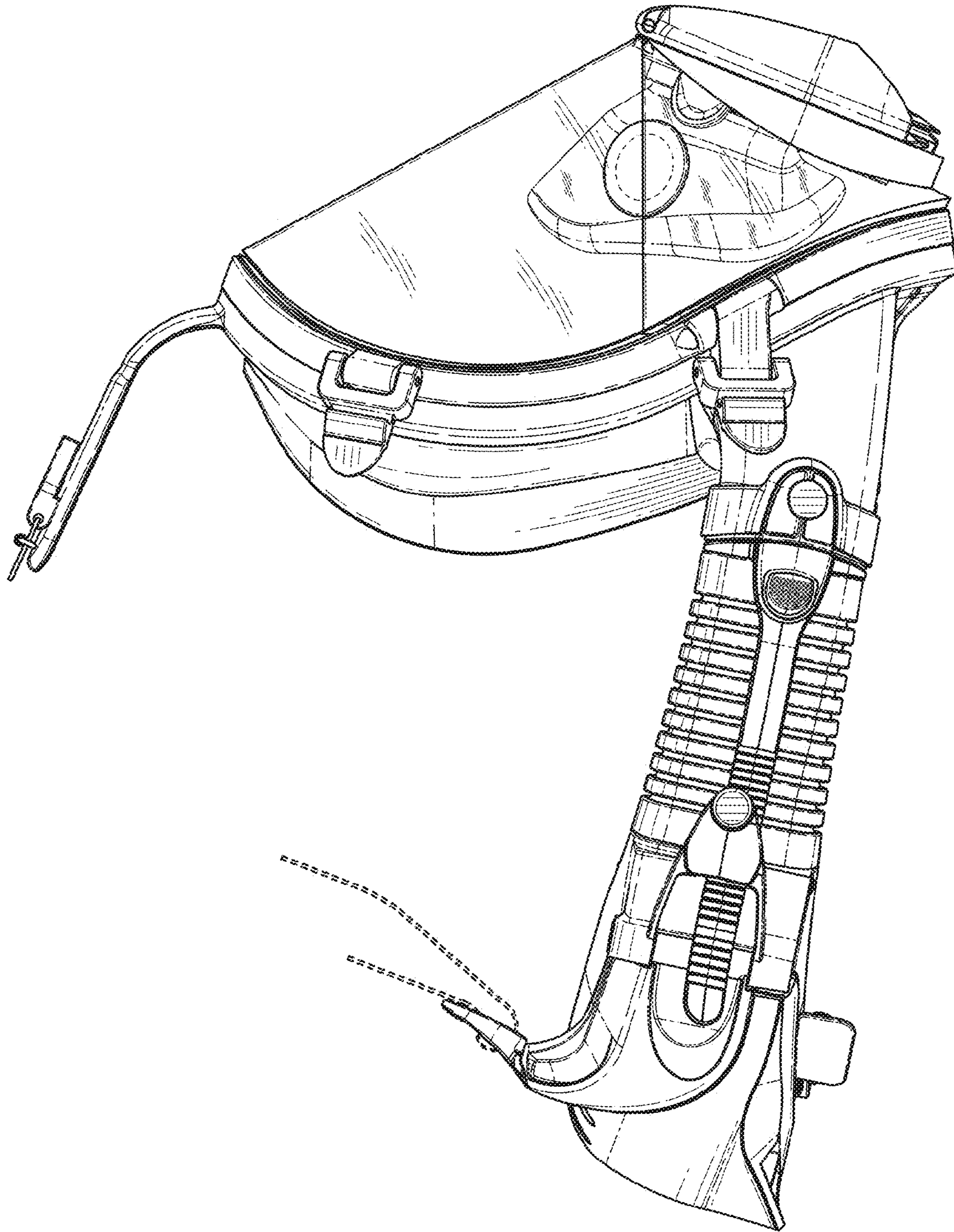


FIG. 3

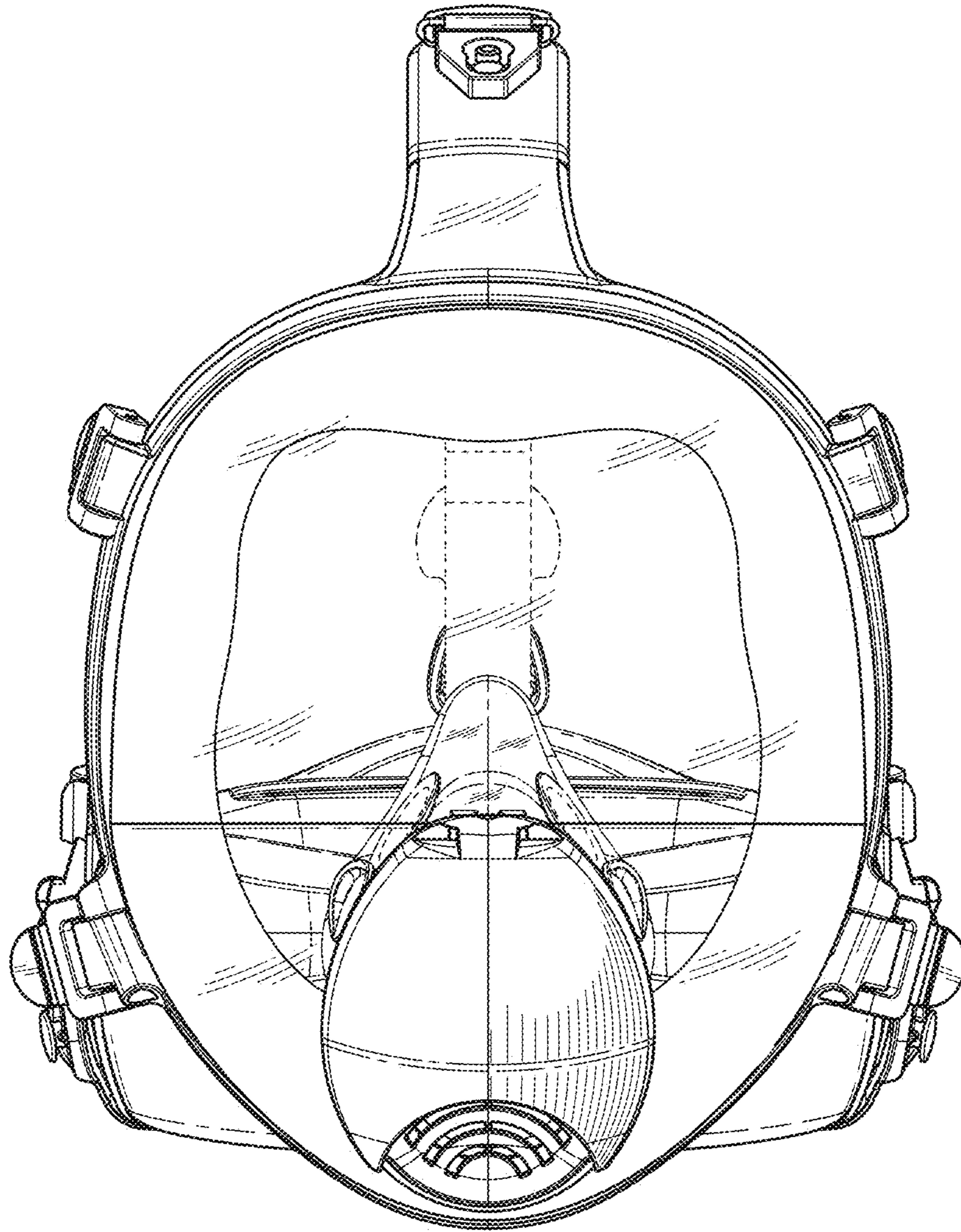


FIG. 4

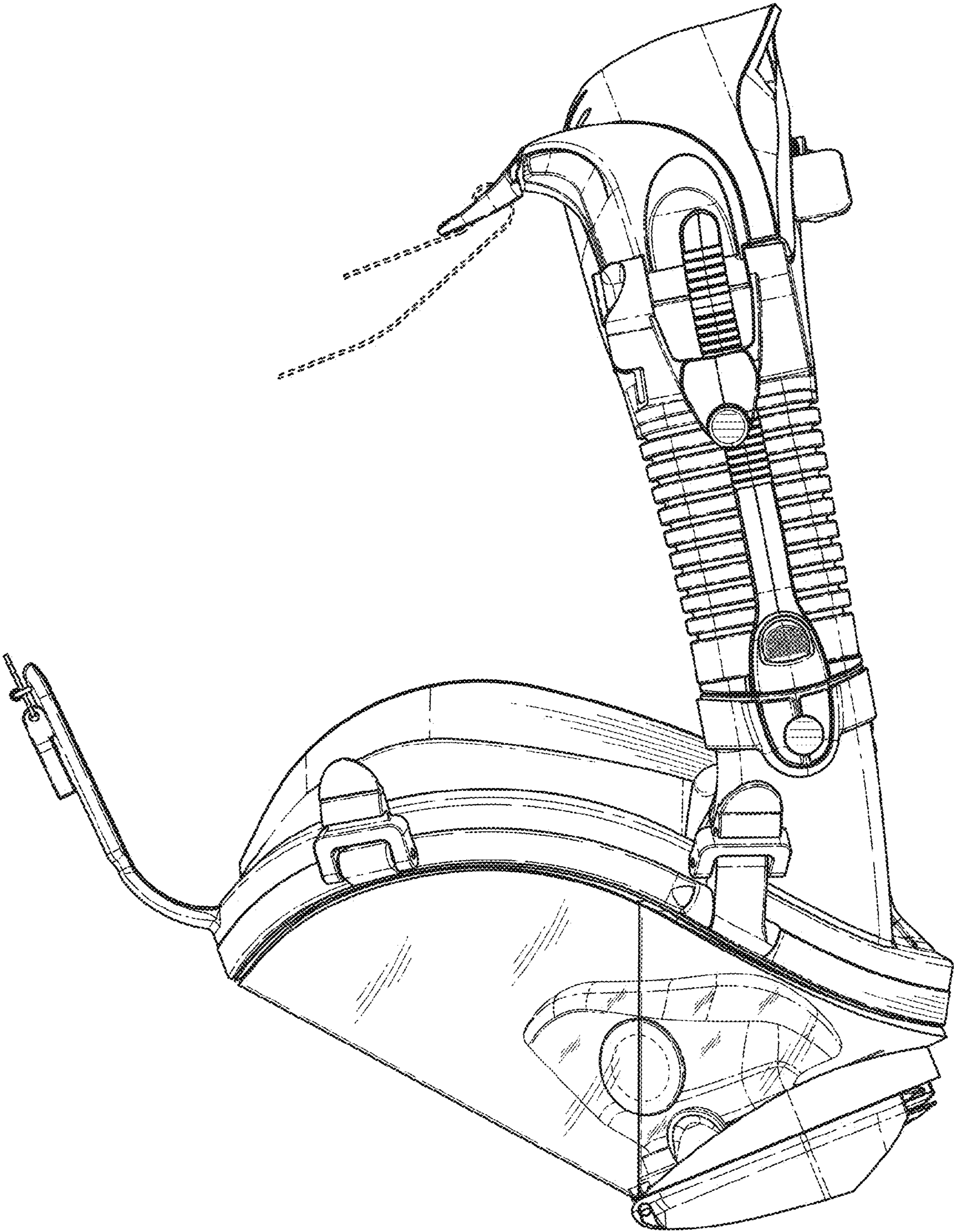


FIG. 5

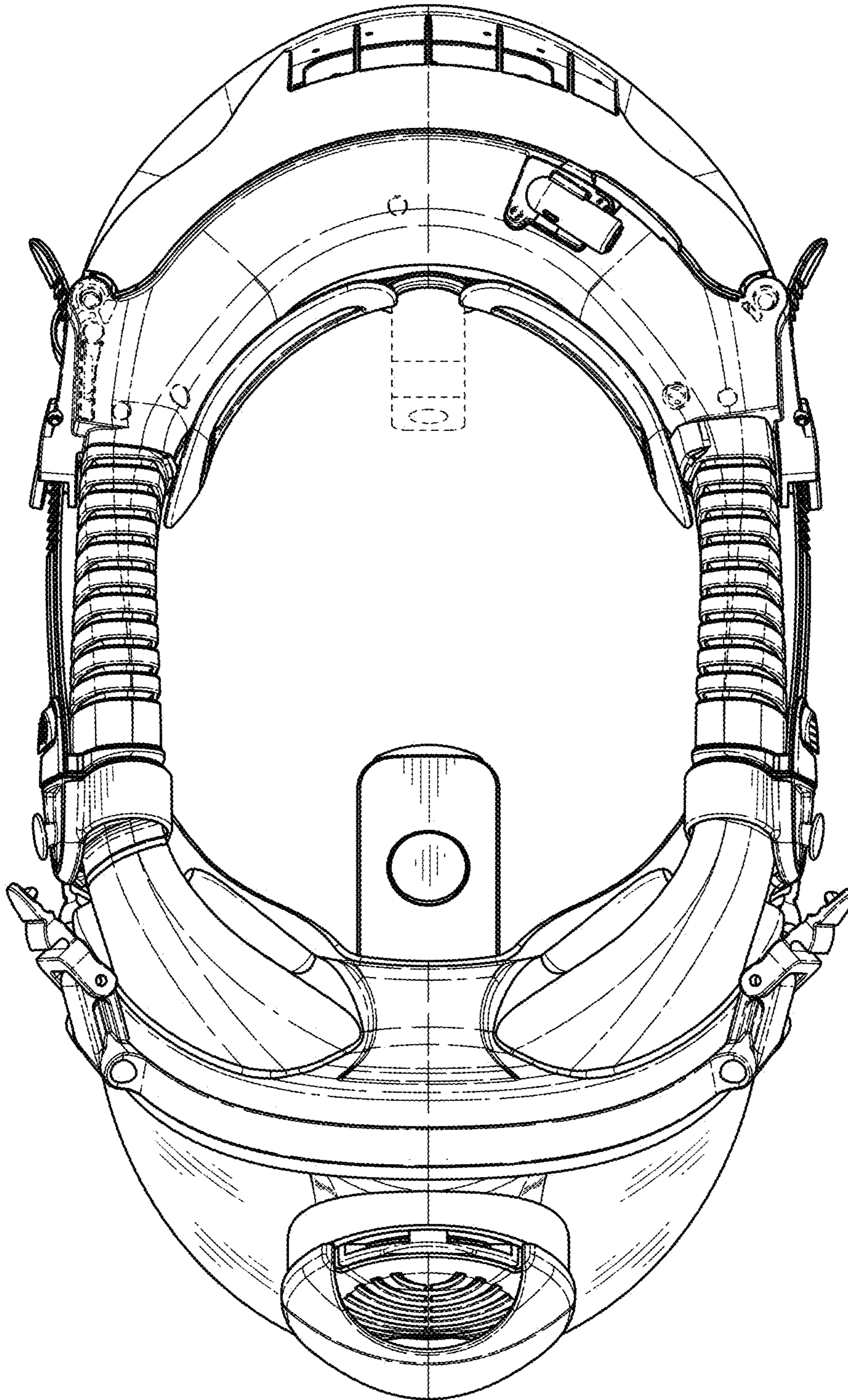


FIG. 6

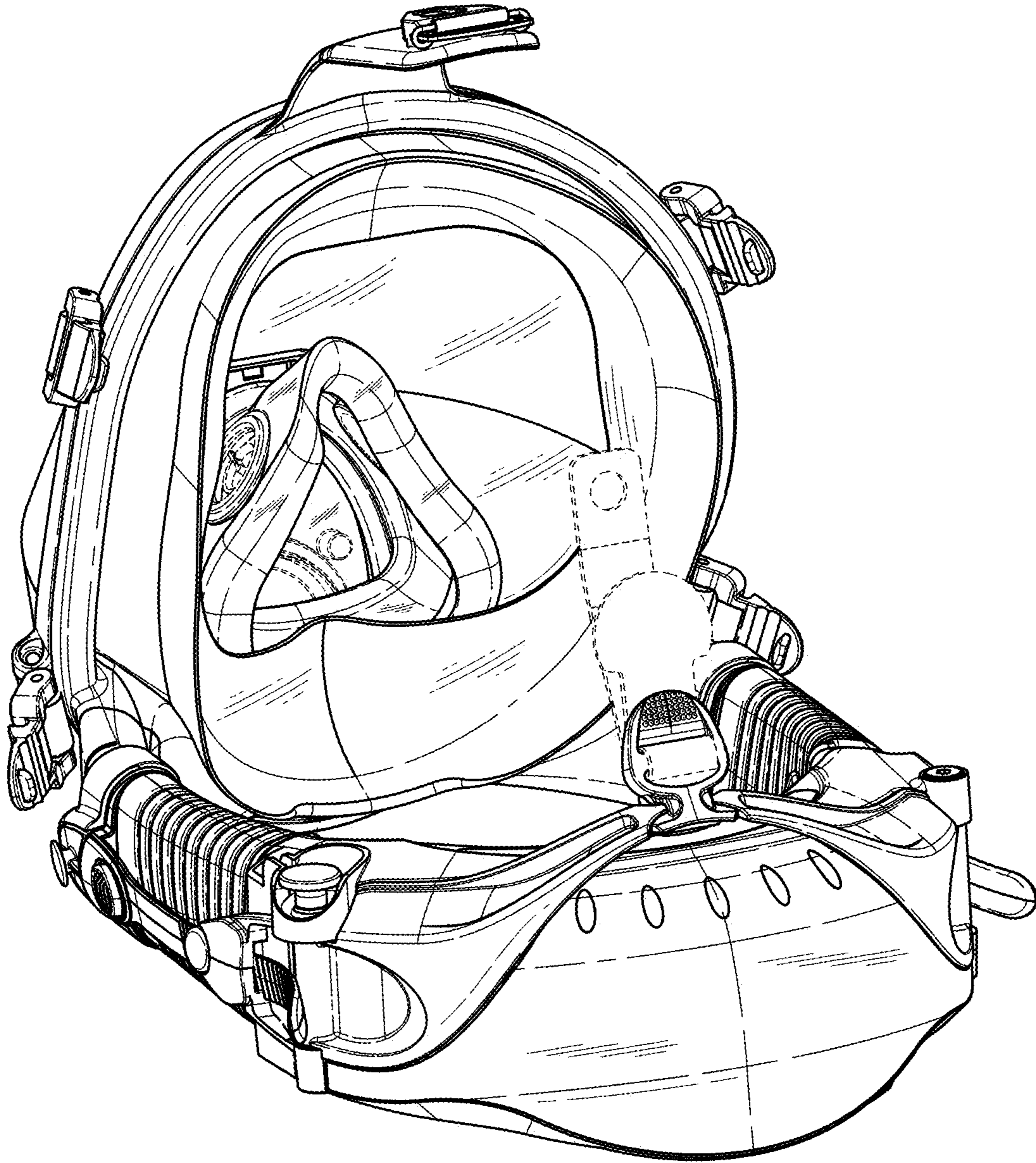


FIG. 7

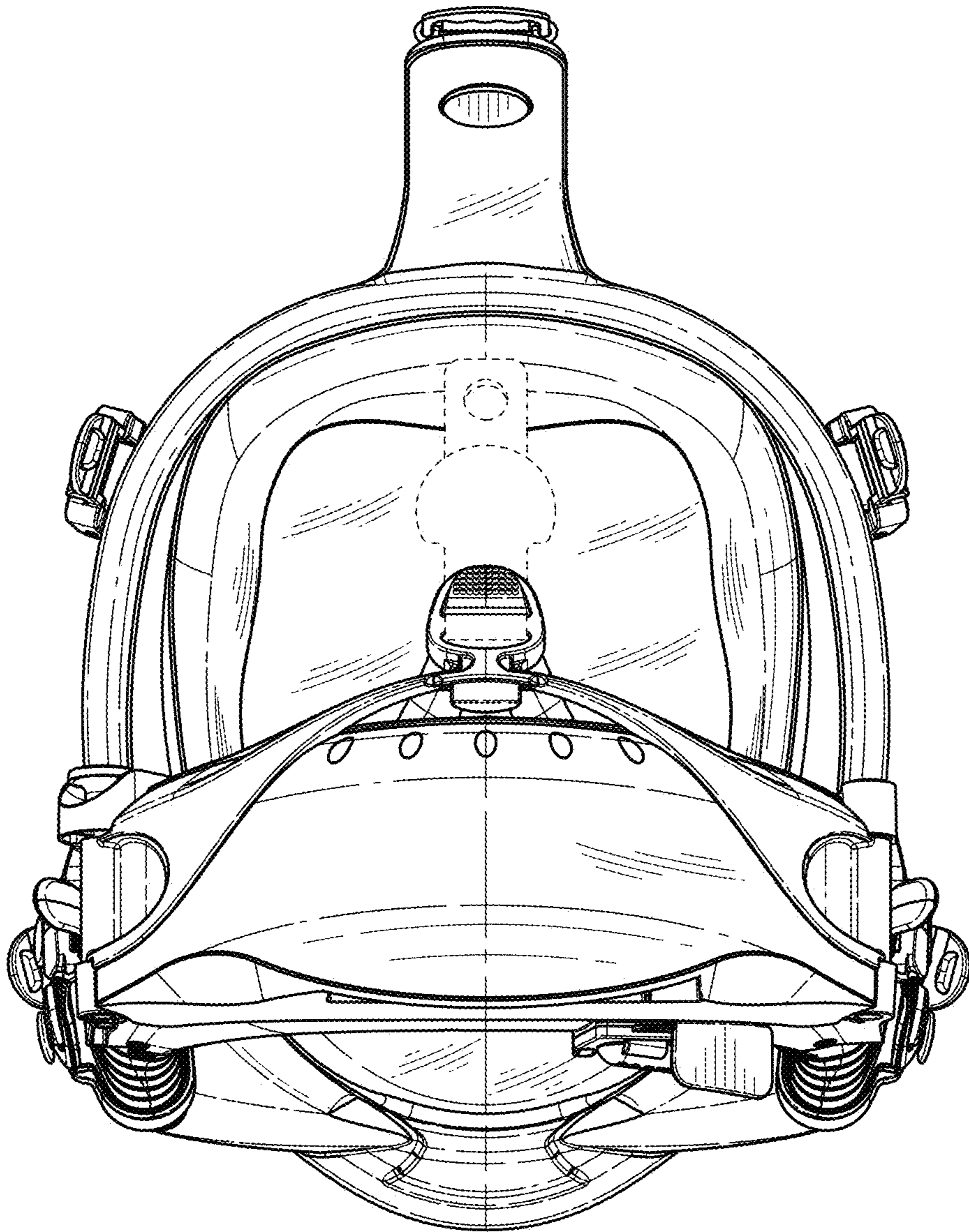


FIG. 8

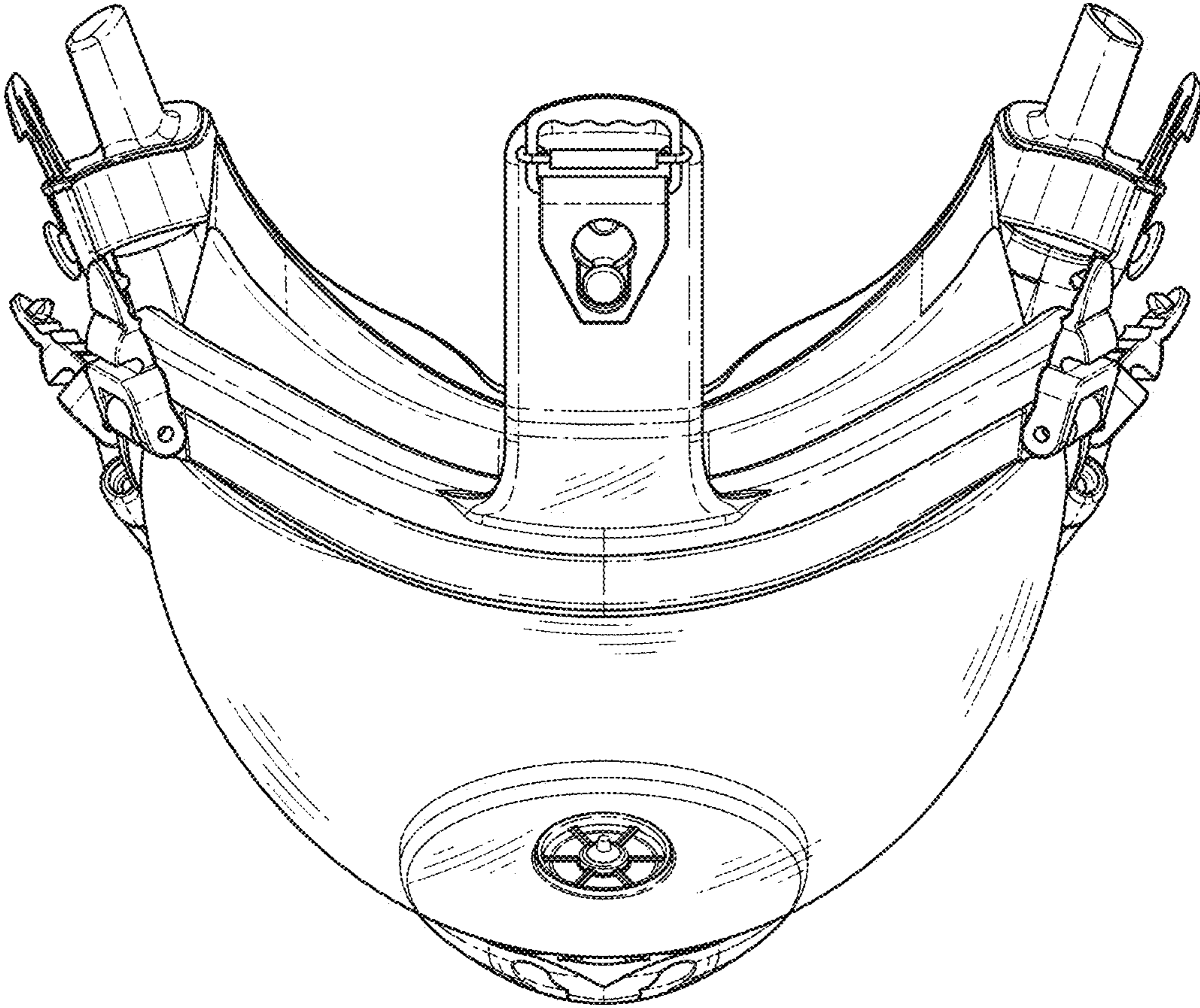


FIG. 9



FIG. 10

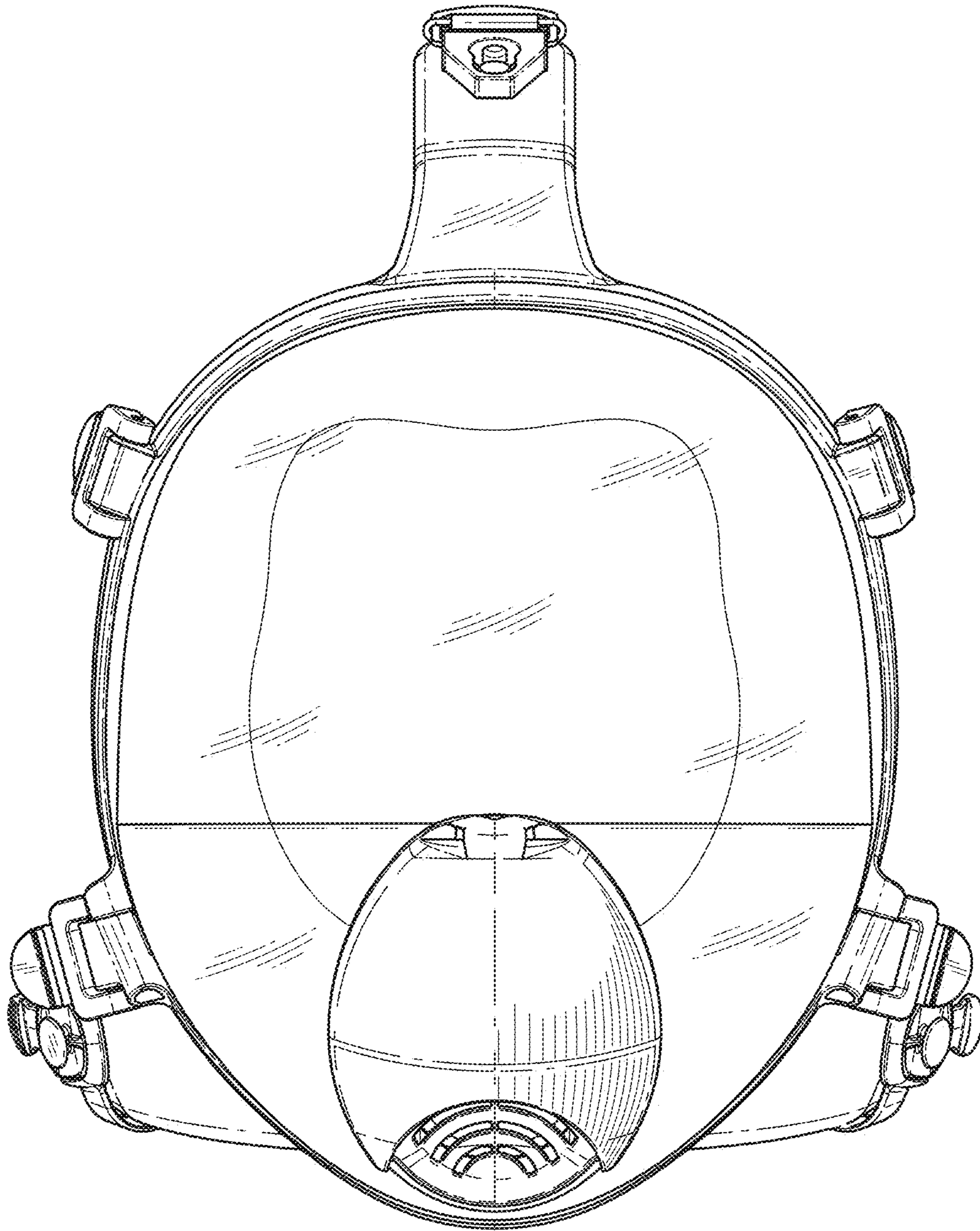


FIG. 11

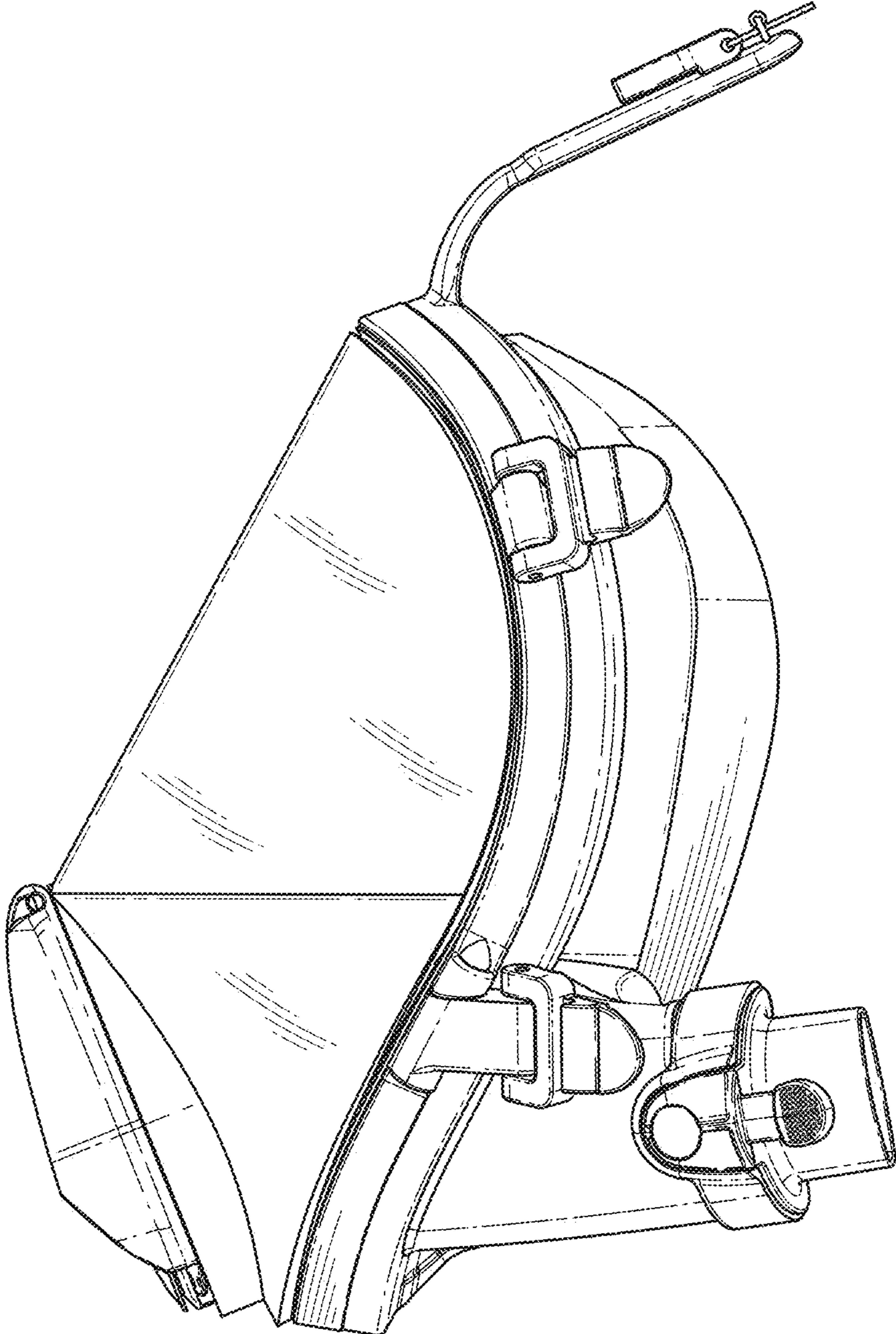


FIG. 12

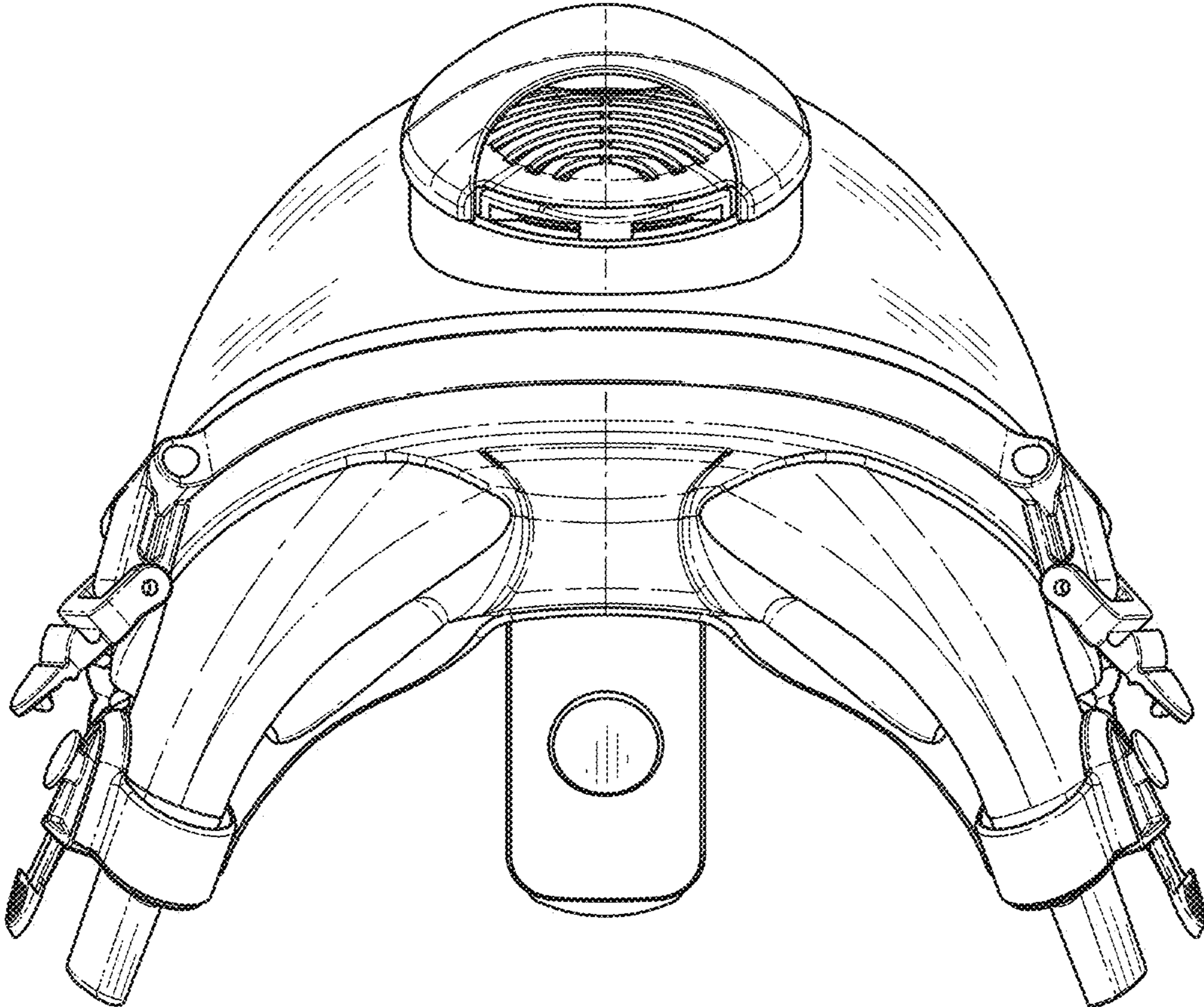


FIG. 13



FIG. 14

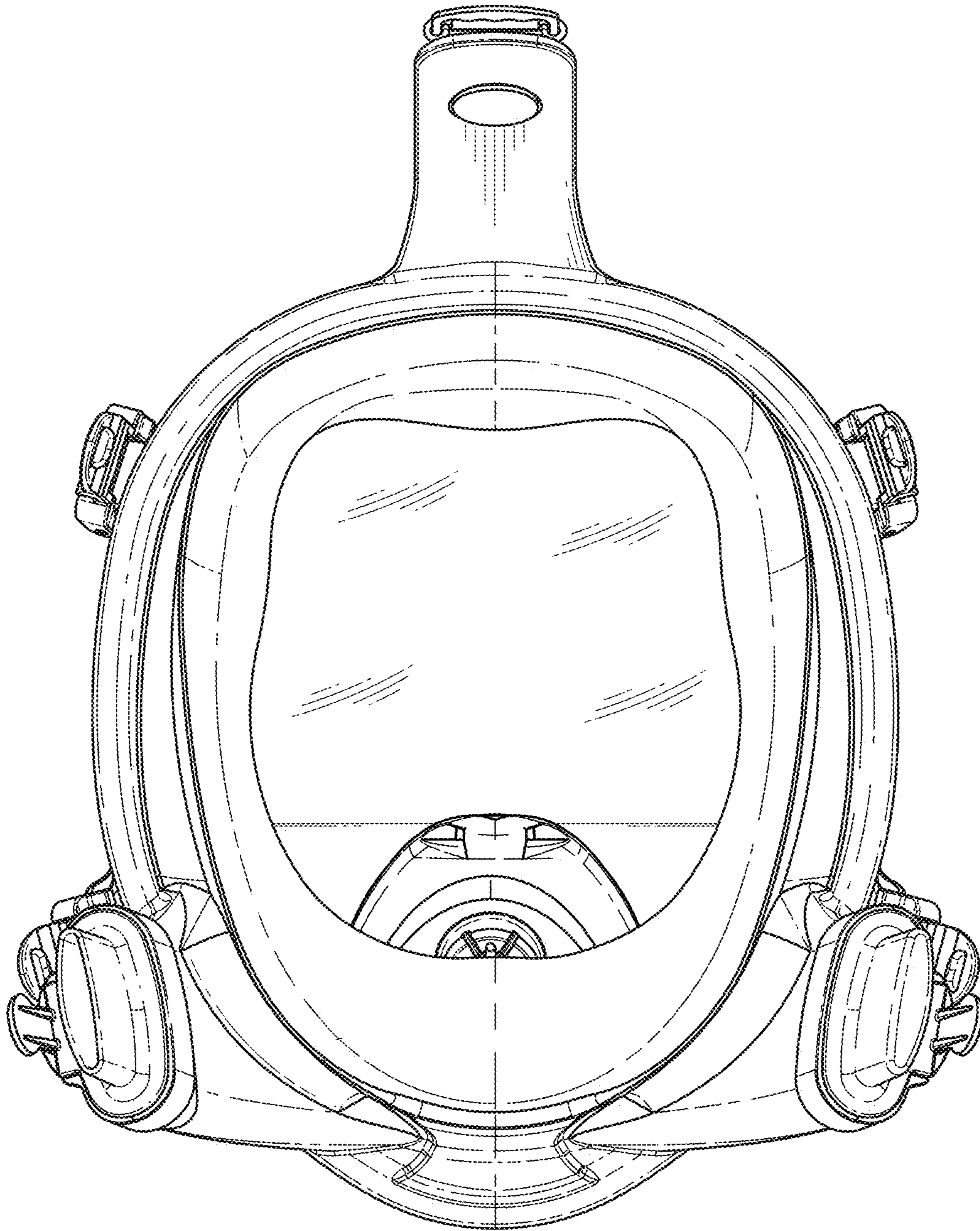


FIG. 15

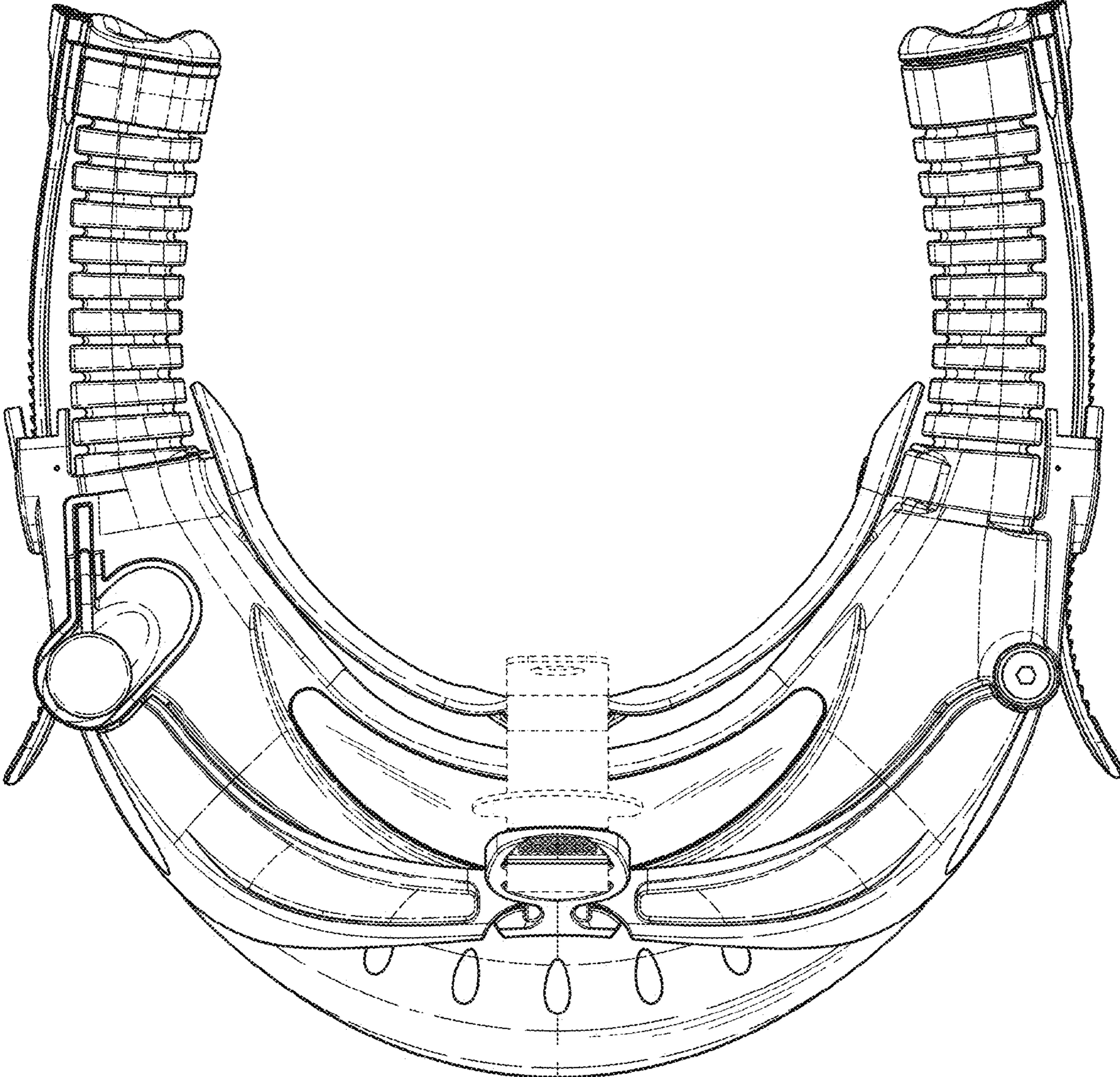


FIG. 16

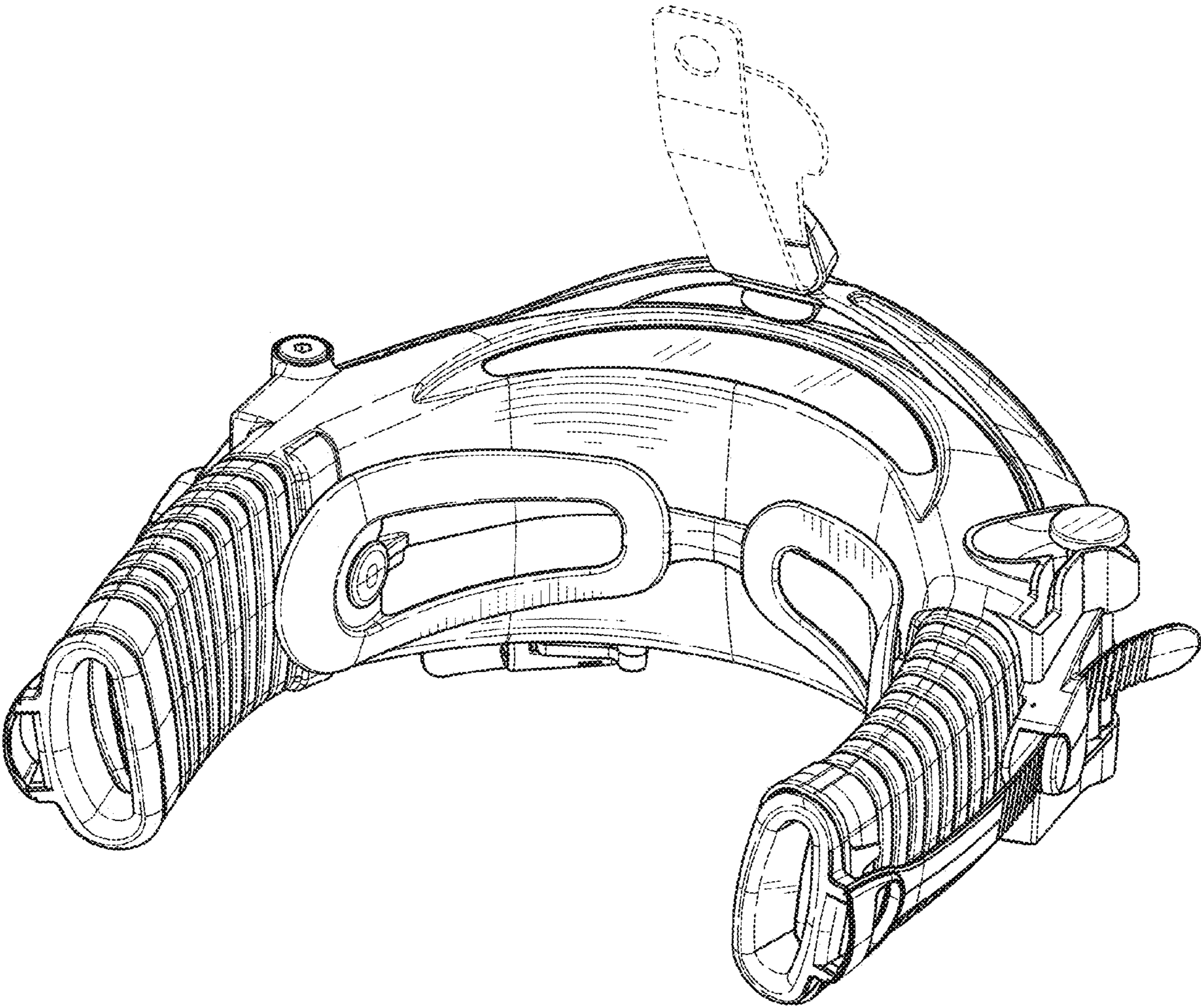


FIG. 17

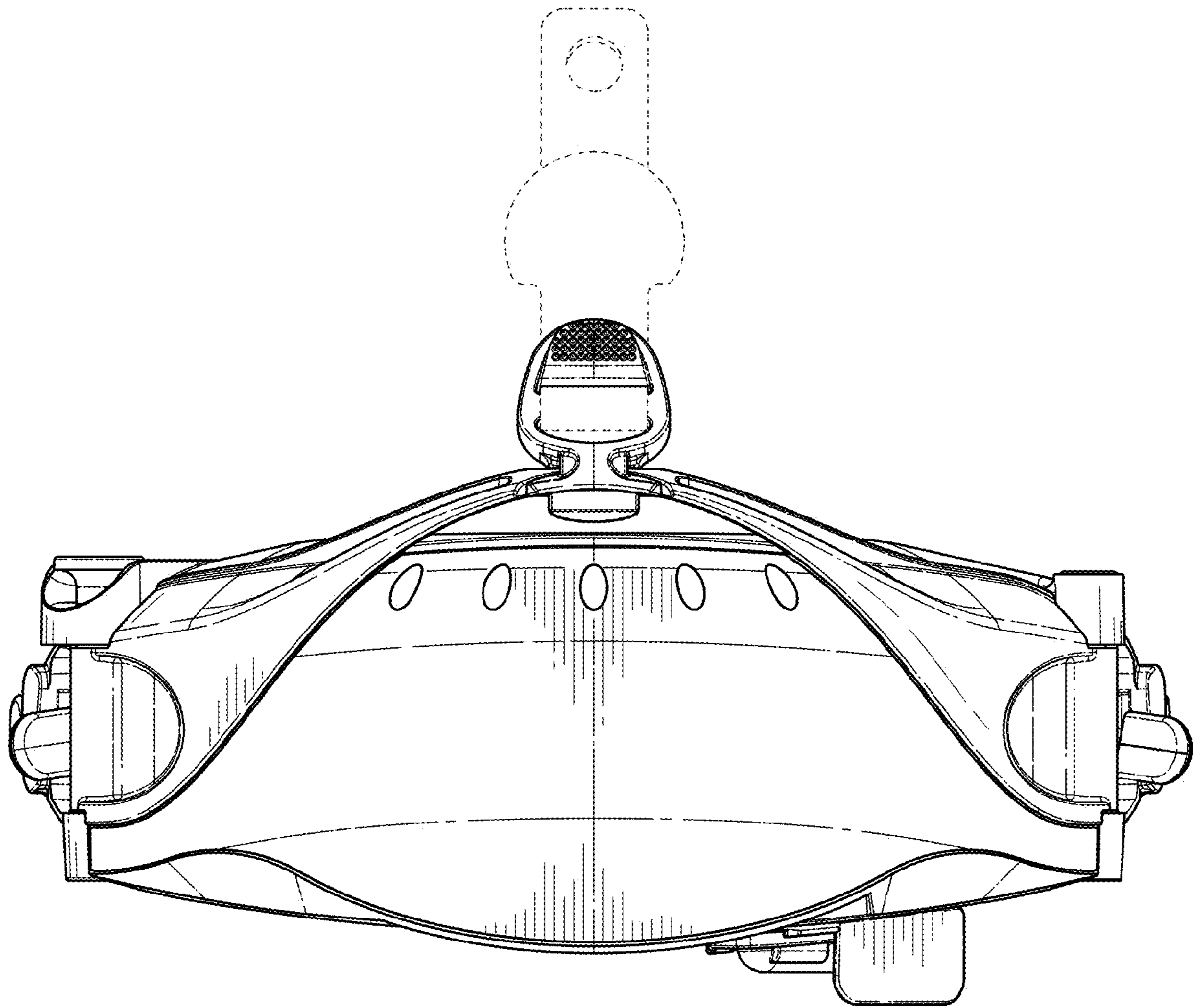


FIG. 18

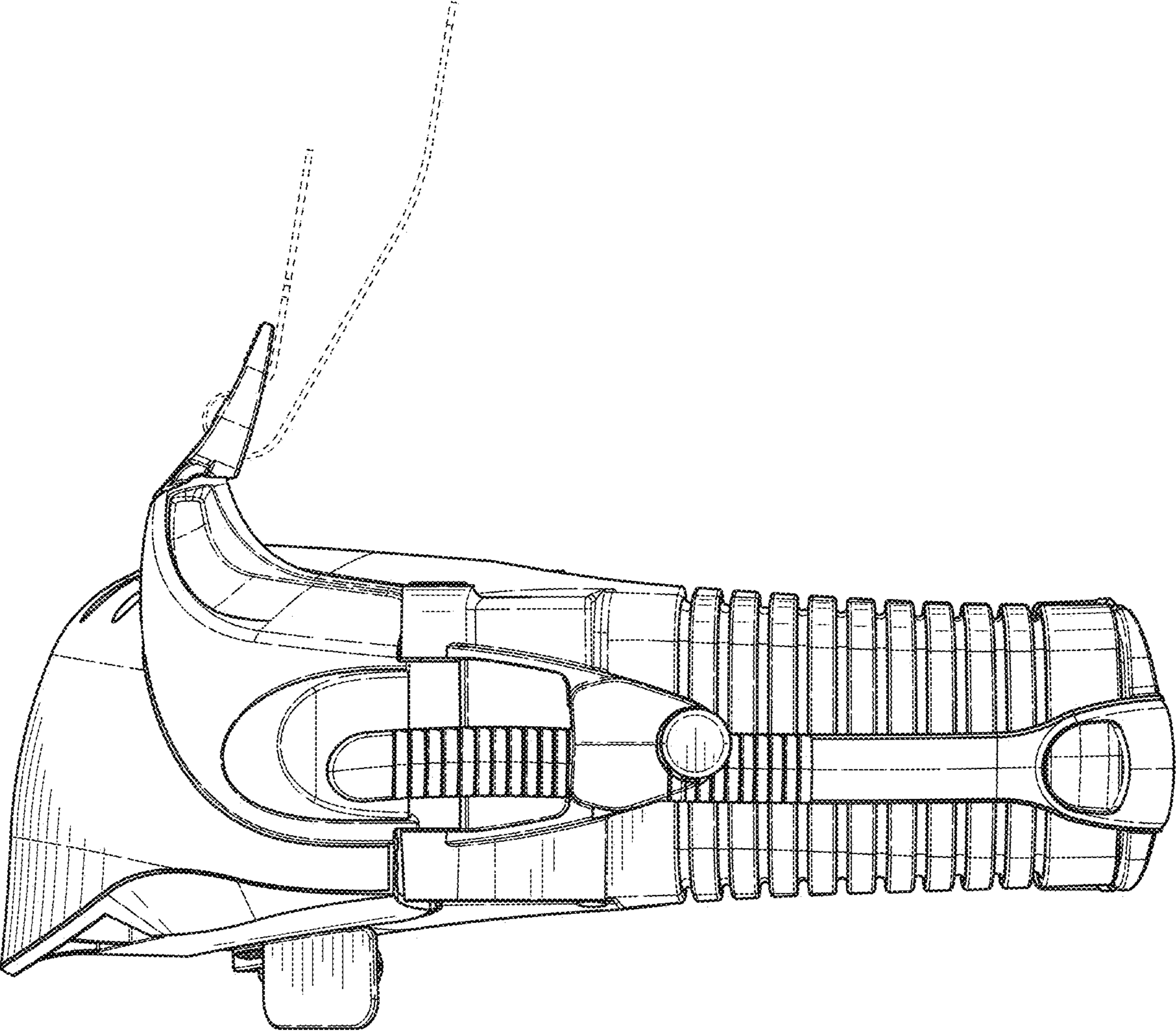


FIG. 19

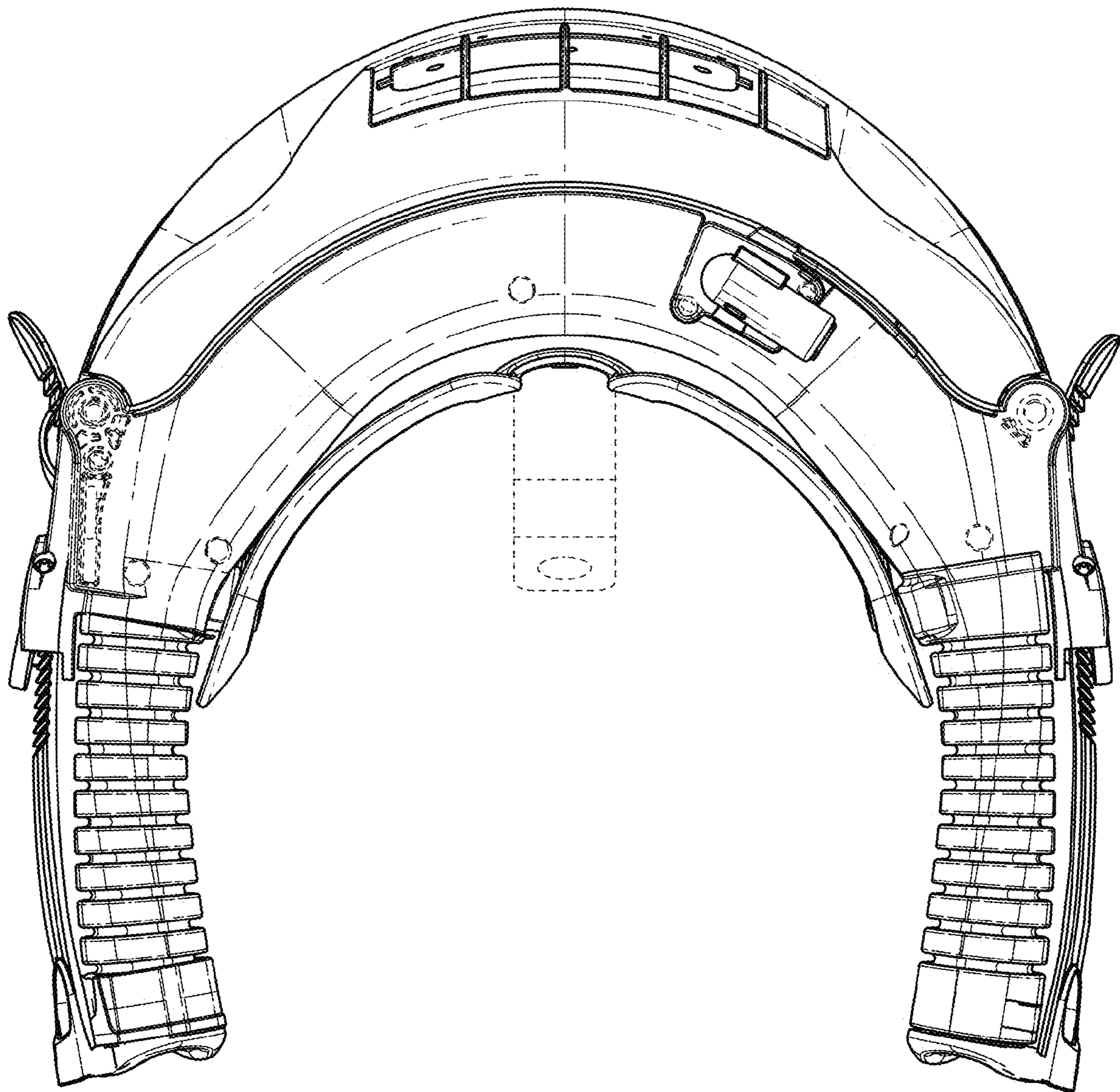


FIG. 20

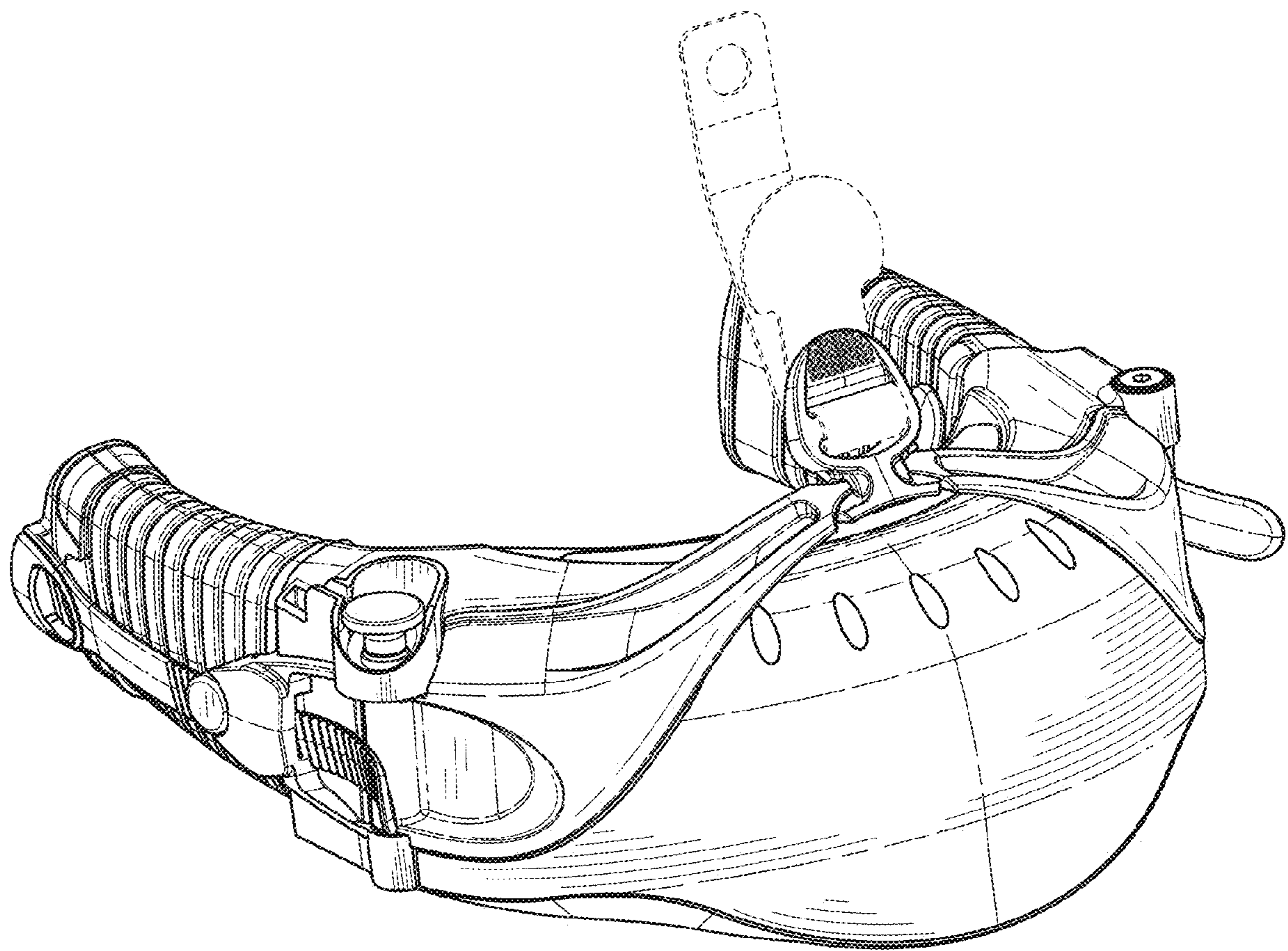


FIG. 21

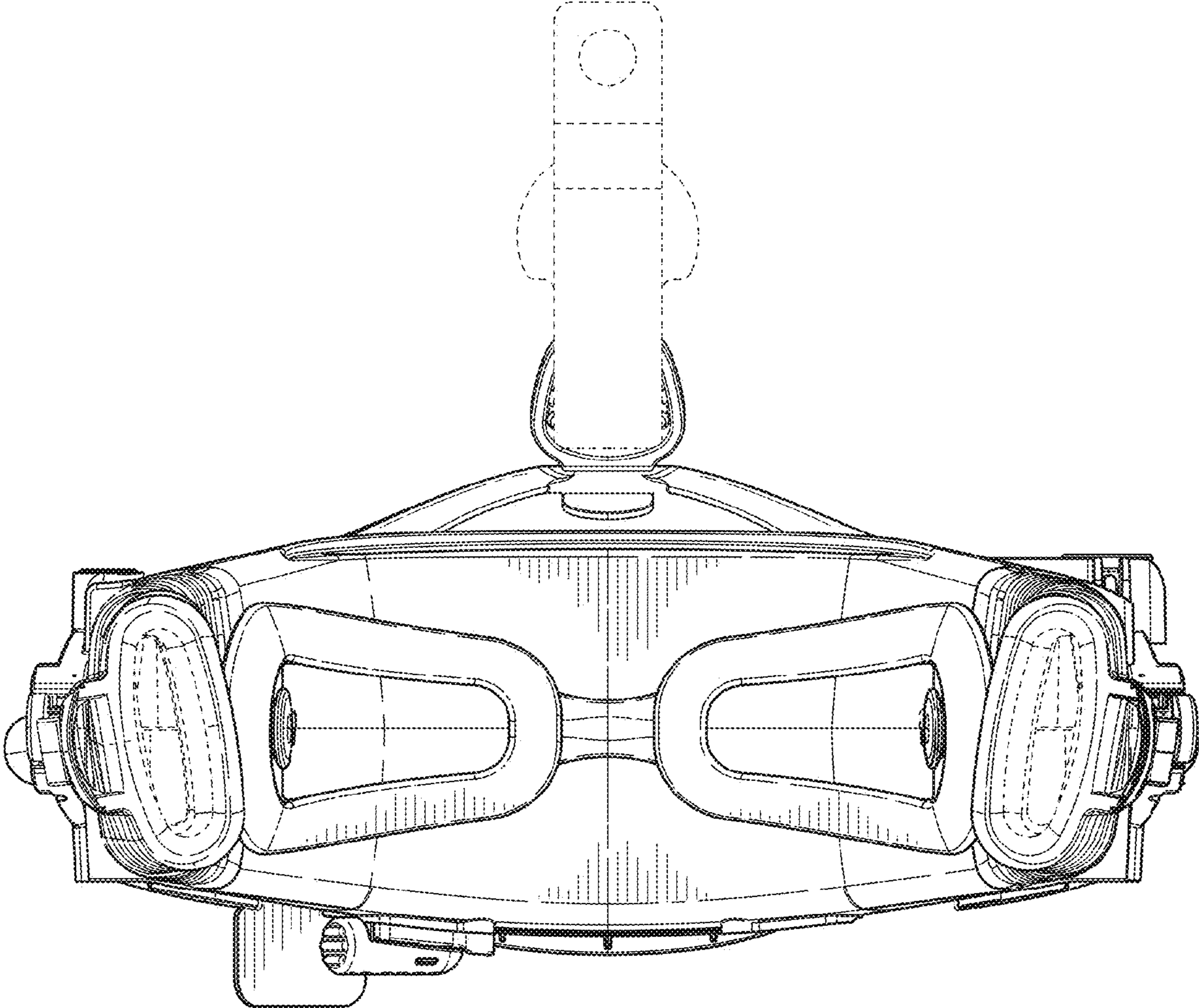


FIG. 22

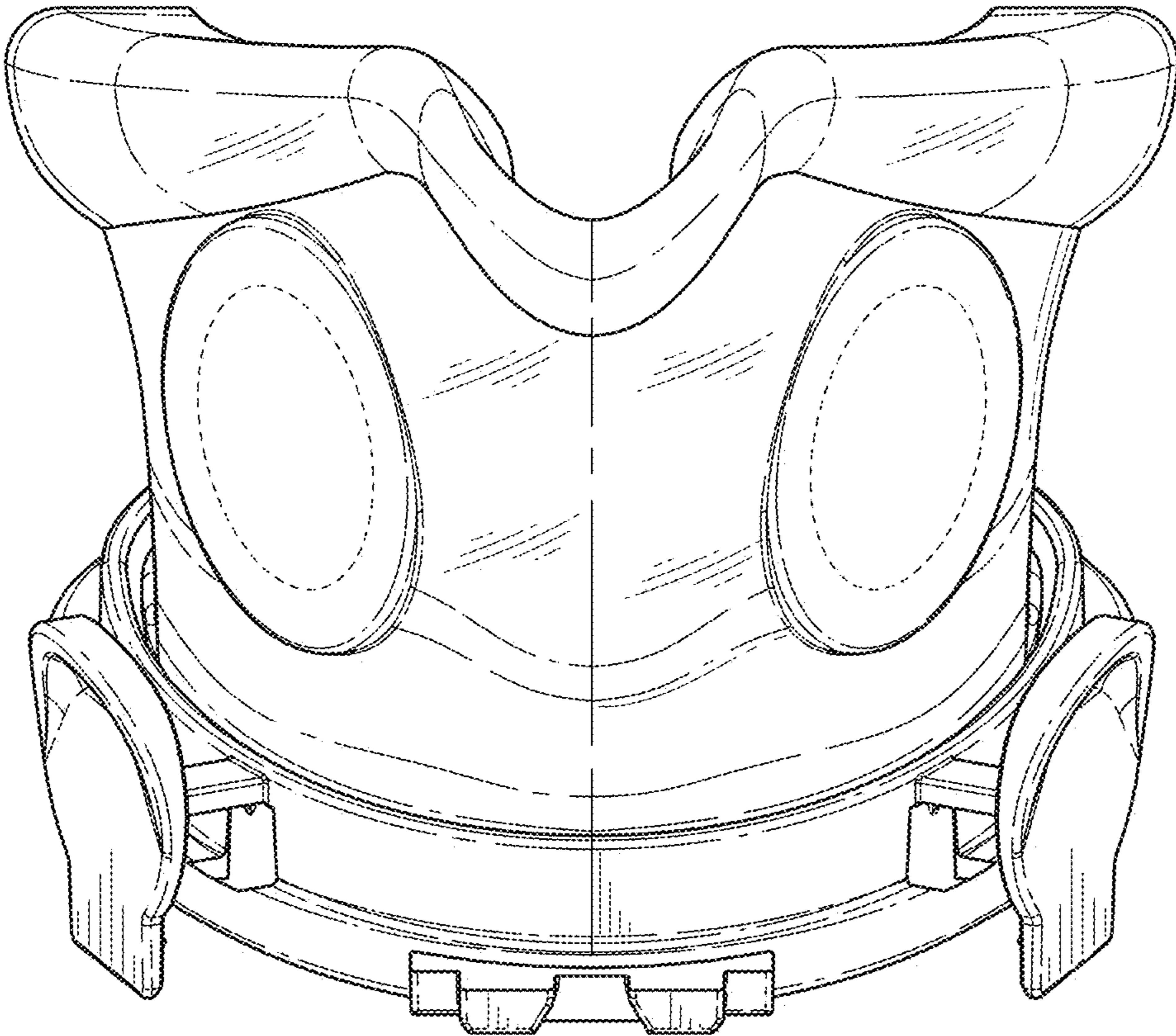


FIG. 23

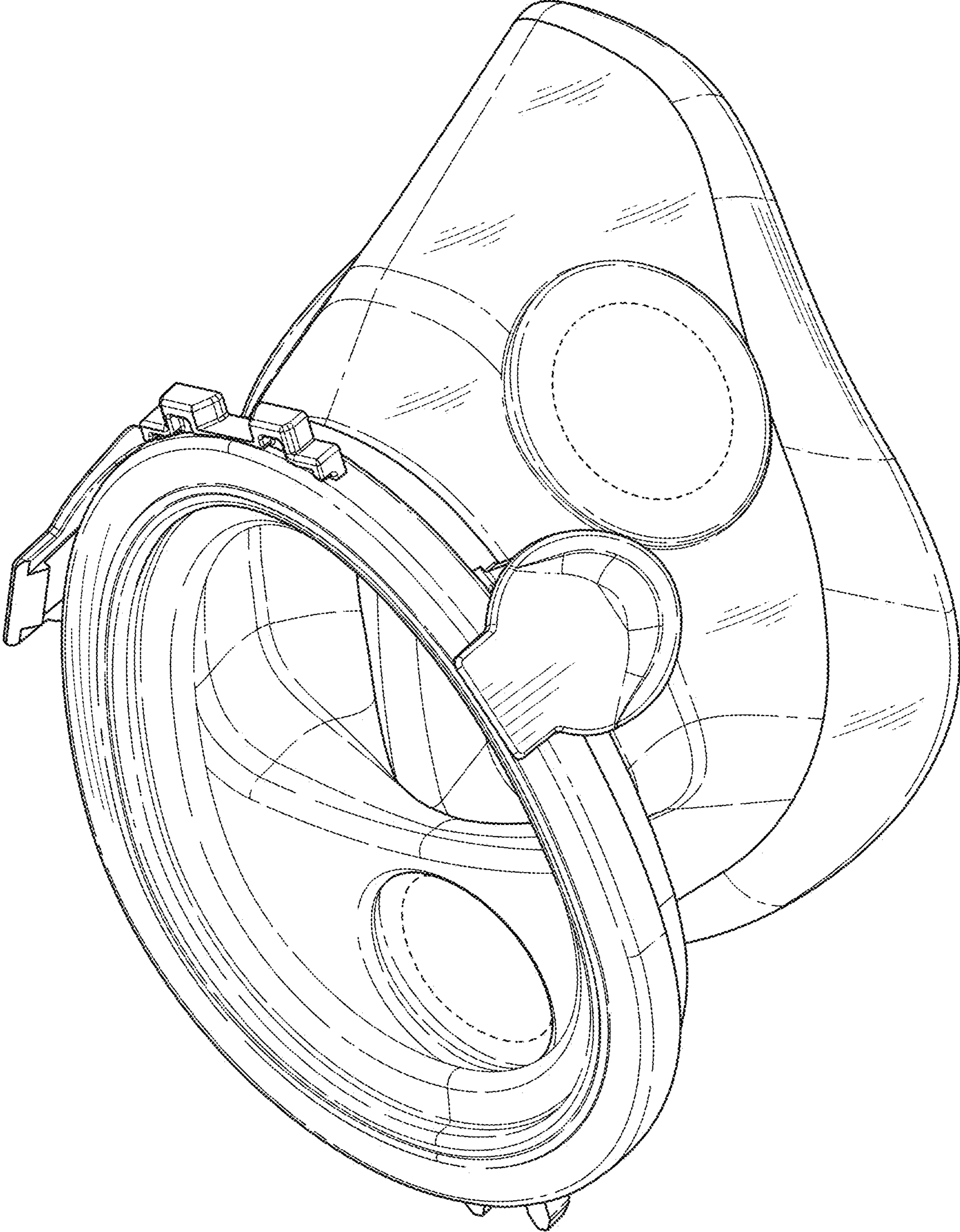


FIG. 24

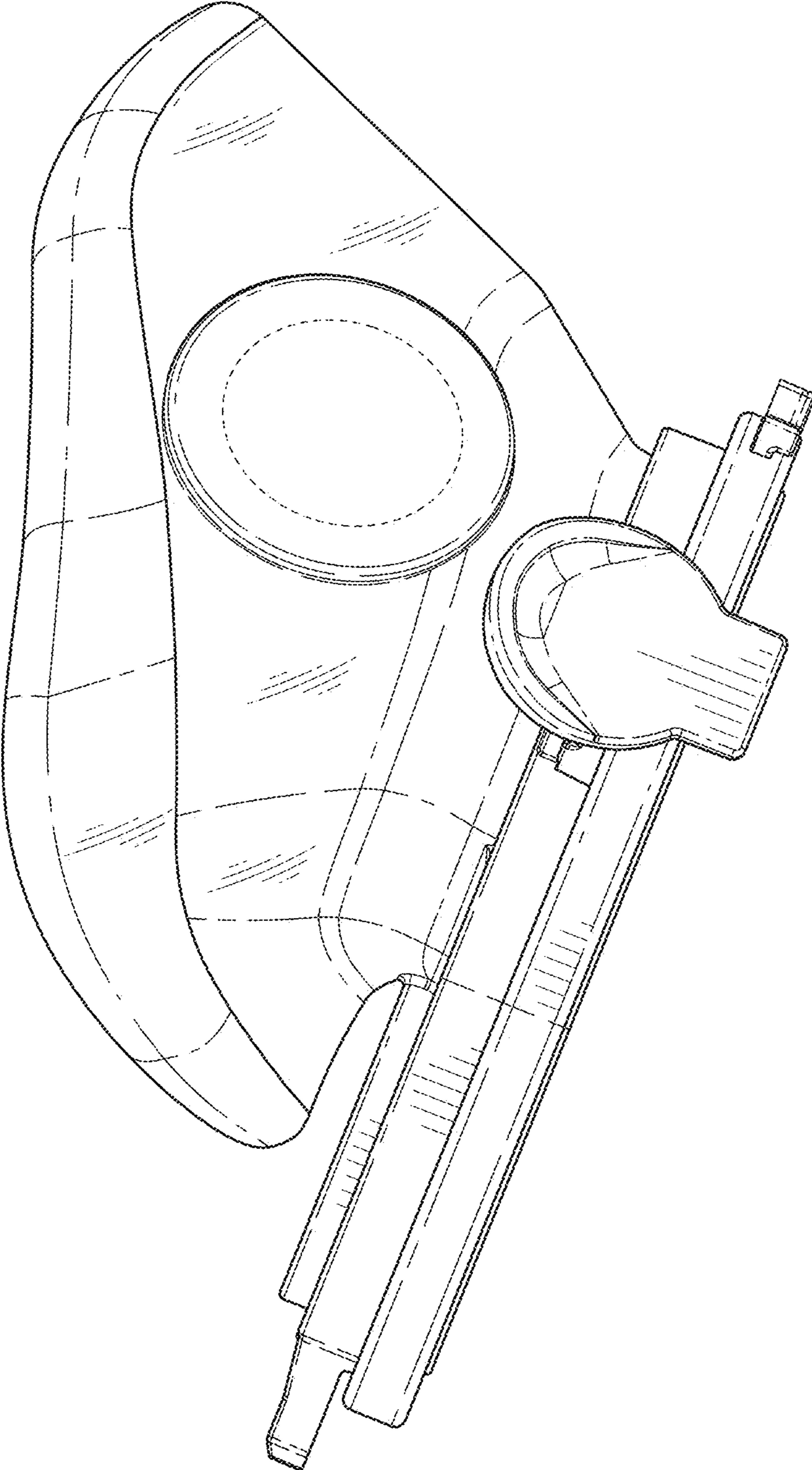


FIG. 25

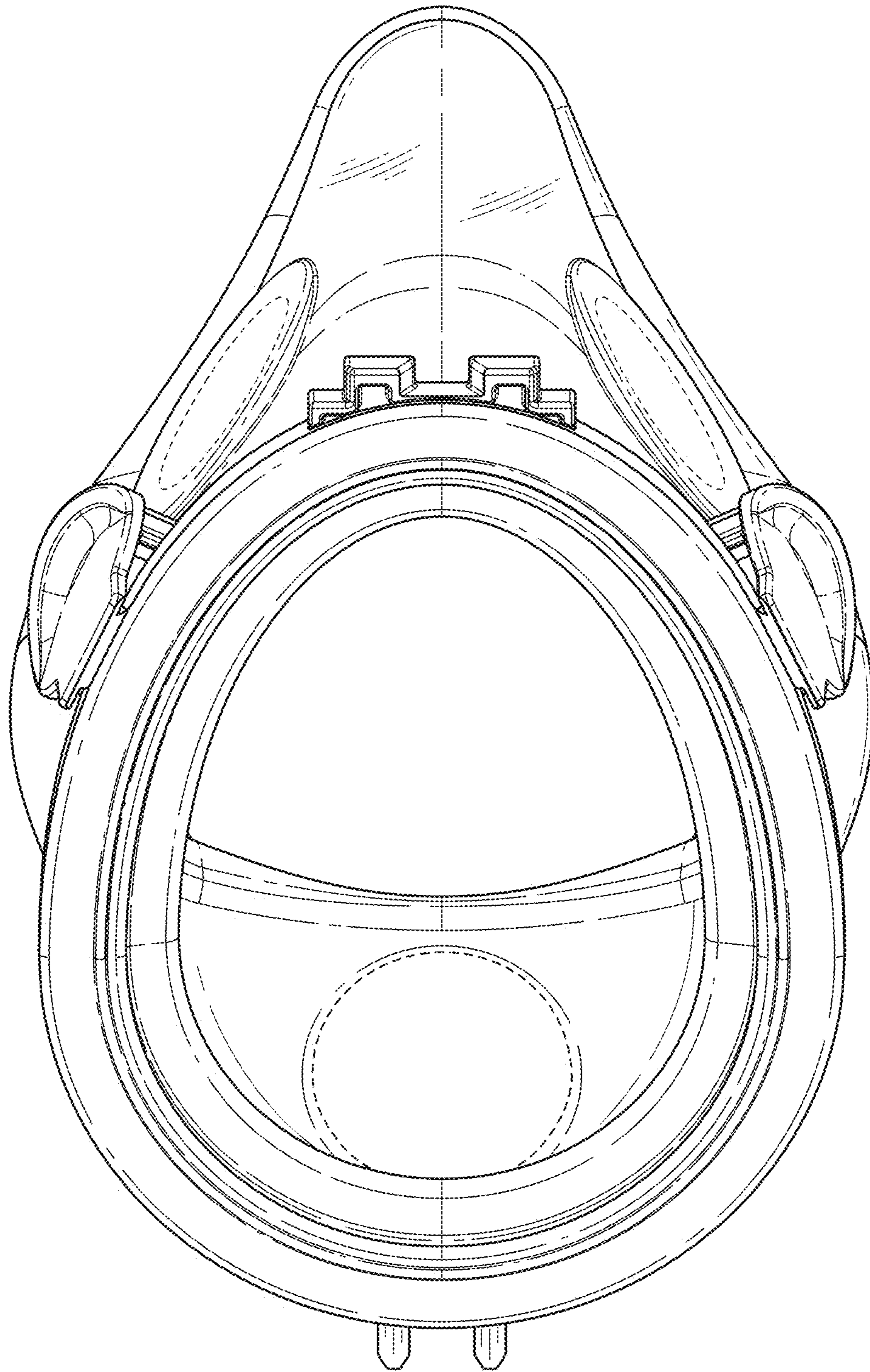


FIG. 26

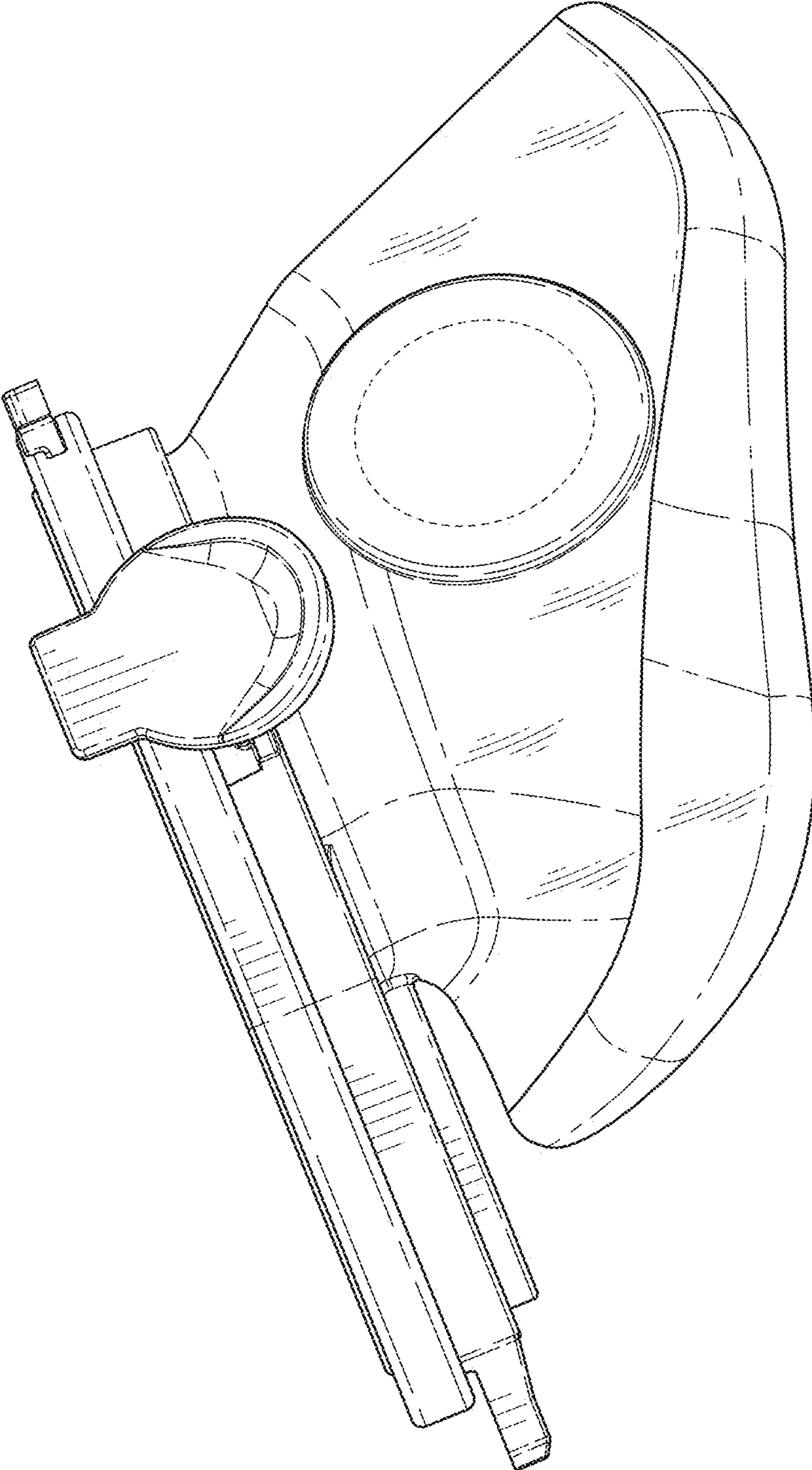


FIG. 27

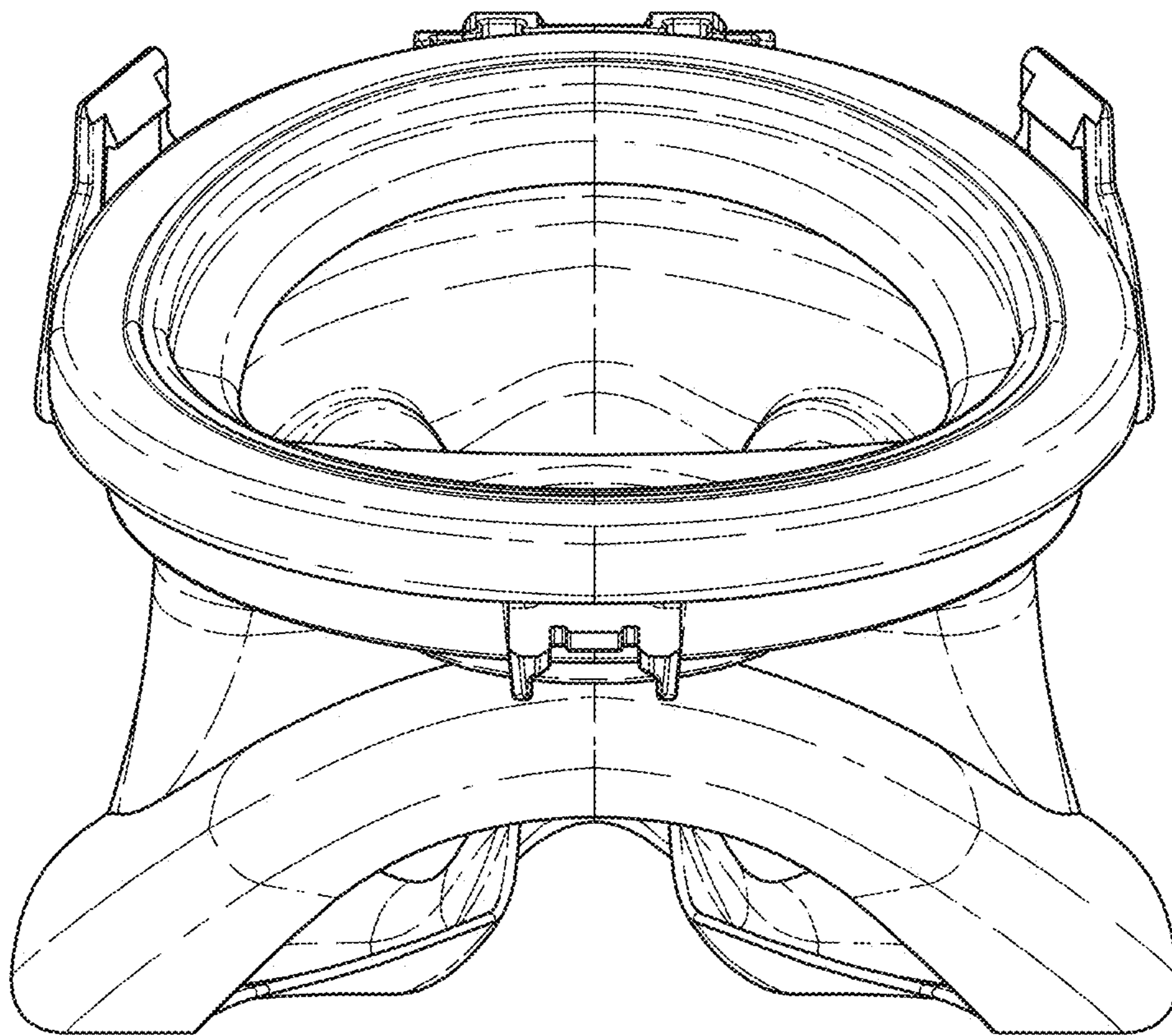


FIG. 28

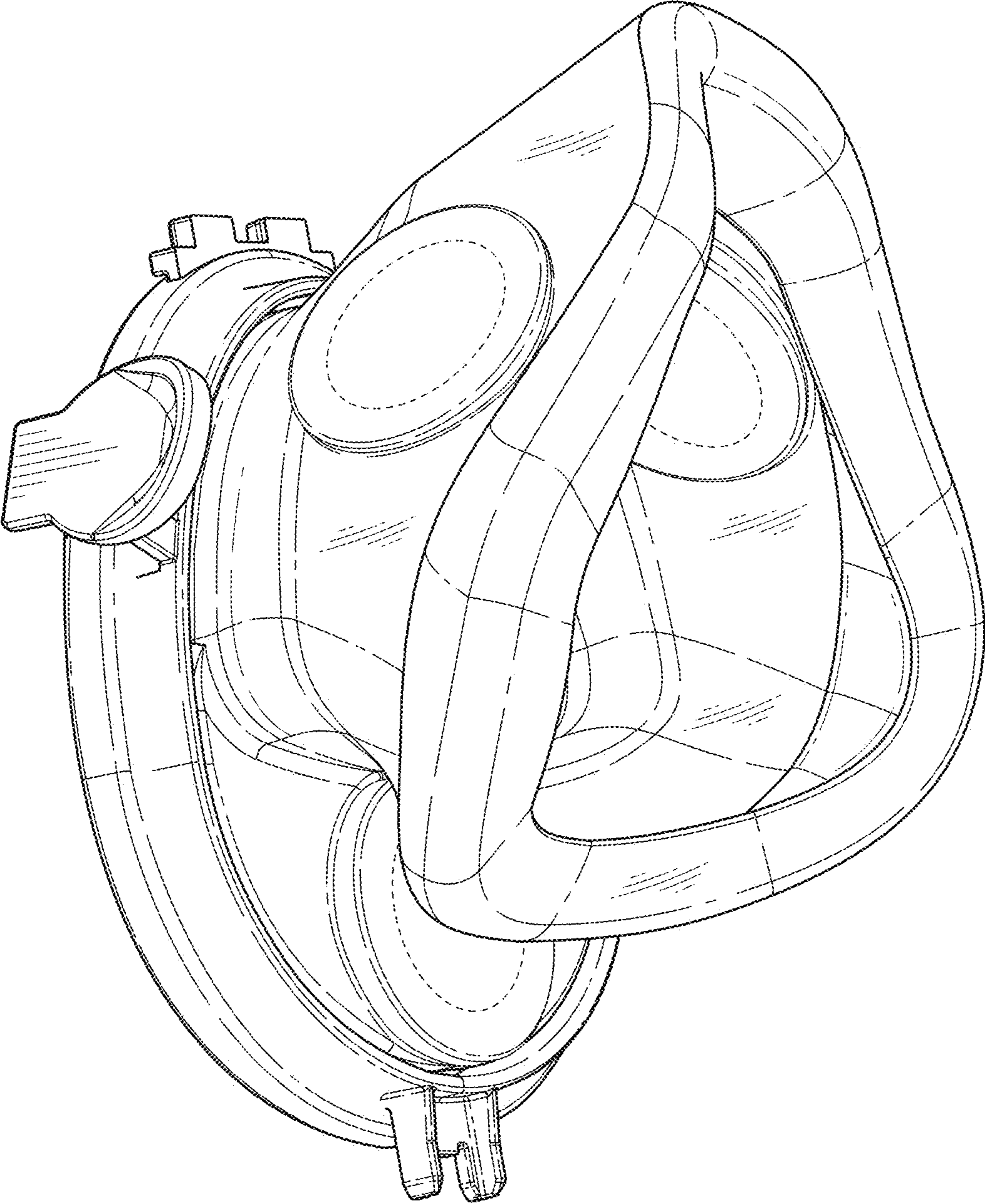


FIG. 29