



US00D986406S

(12) **United States Design Patent**
Ono

(10) **Patent No.:** **US D986,406 S**

(45) **Date of Patent:** **** May 16, 2023**

(54) **INHALER FOR POWDERED
MEDICAMENTS**

(71) Applicant: **NiPPharma Co., Ltd.**, Tokyo (JP)

(72) Inventor: **Shinichi Ono**, Tokyo (JP)

(73) Assignee: **NiPPharma Co., Ltd.**, Tokyo (JP)

(**) Term: **15 Years**

(21) Appl. No.: **29/766,787**

(22) Filed: **Jan. 19, 2021**

(30) **Foreign Application Priority Data**

Jul. 21, 2020 (JP) 2020-015199

(51) **LOC (14) Cl.** **29-02**

(52) **U.S. Cl.**
USPC **D24/110**

(58) **Field of Classification Search**
USPC D24/107, 108, 110, 110.5, 127, 164;
D23/360

(Continued)

(56) **References Cited**

U.S. PATENT DOCUMENTS

D452,910 S * 1/2002 Braithwaite D24/110
D477,665 S * 7/2003 Myrman D24/110

(Continued)

FOREIGN PATENT DOCUMENTS

EM 001249296-0001 1/2011

Primary Examiner — Richard Kearney

Assistant Examiner — Michael Hoffman

(74) *Attorney, Agent, or Firm* — Pyprus Pte Ltd; George
D. Liu

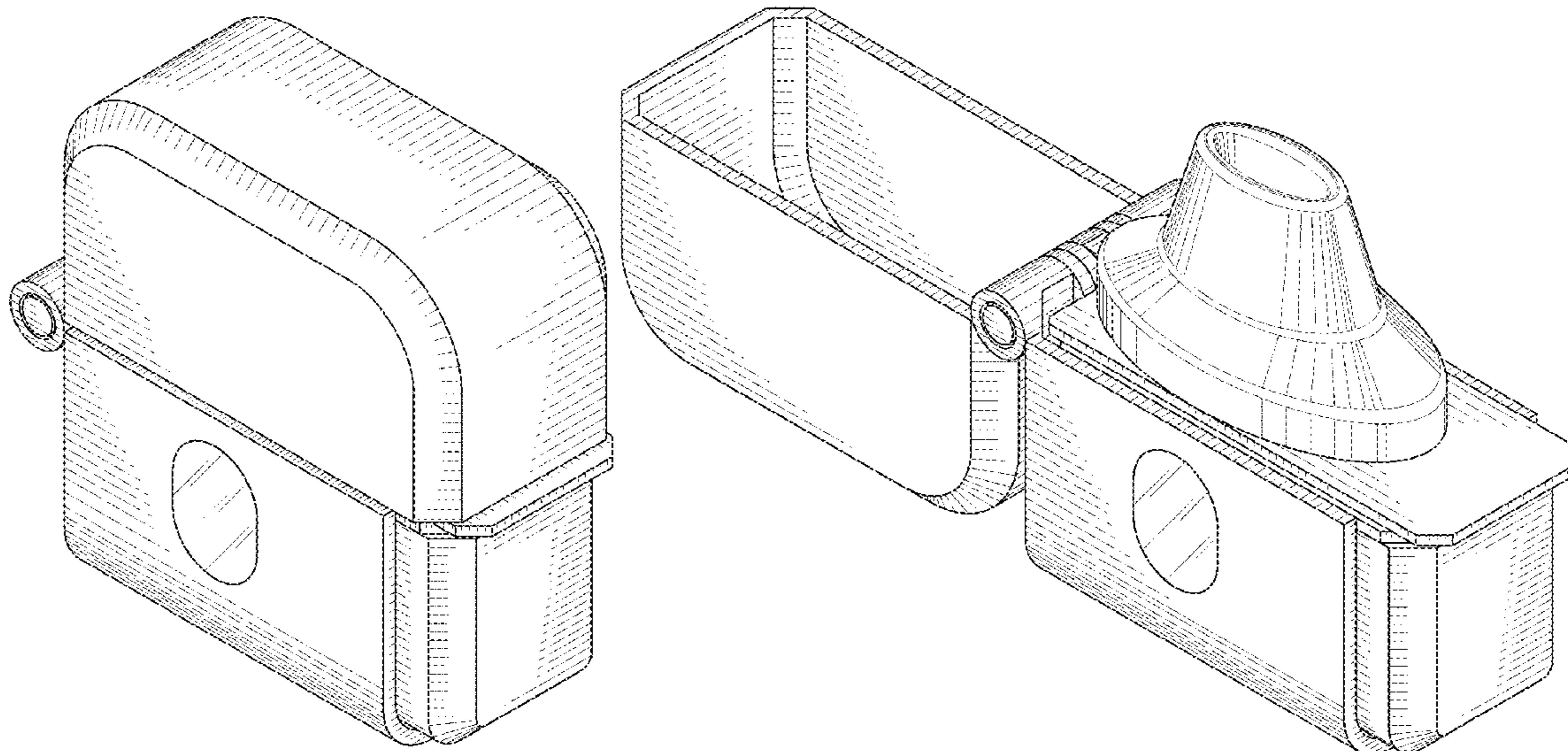
(57) **CLAIM**

The ornamental design for an inhaler for powdered medicaments, as shown and described.

DESCRIPTION

FIG. 1 is a perspective view of an inhaler for powdered medicaments, shown in a closed state; FIG. 2 is a front elevation view thereof; FIG. 3 is a back elevation view thereof; FIG. 4 is a left elevation view thereof; FIG. 5 is a right elevation view thereof; FIG. 6 is a top plan view thereof; FIG. 7 is a bottom plan view thereof; FIG. 8 is a perspective view of the inhaler for powdered medicaments, in a state where the upper cover is opened; FIG. 9 is a front elevation view thereof; FIG. 10 is a back elevation view thereof; FIG. 11 is a left elevation view thereof; FIG. 12 is a right elevation view thereof; FIG. 13 is a top plan view thereof; FIG. 14 is a bottom plan view thereof; FIG. 15 is a perspective view of the inhaler for powdered medicaments, in a state where the upper cover and the mouse piece are opened; FIG. 16 is a front elevation view thereof; FIG. 17 is a back elevation view thereof; FIG. 18 is a left elevation view thereof; FIG. 19 is a right elevation view thereof; FIG. 20 is a top plan view thereof; FIG. 21 is a bottom plan view thereof; FIG. 22 is a perspective view of the inhaler for powdered medicaments, in a state where the bottom cover is opened. FIG. 23 is a front elevation view thereof; FIG. 24 is a back elevation view thereof; FIG. 25 is a left elevation view thereof; FIG. 26 is a right elevation view thereof; FIG. 27 is a top plan view thereof; and, FIG. 28 is a bottom plan view thereof. The broken lines shown in the drawings illustrate portions of the article and form no part of the claimed design.

1 Claim, 28 Drawing Sheets



(58) **Field of Classification Search**

CPC A61M 15/00; A61M 15/0025; A61M 15/0026; A61M 15/005; A61M 15/0065; A61M 15/0071; A61M 15/0091; A61M 11/00; A61M 11/02; A61M 11/04; A61K 9/007; A61K 9/0073; A61K 9/0075; A61K 9/0078; A61K 9/008

See application file for complete search history.

(56) **References Cited**

U.S. PATENT DOCUMENTS

D499,802 S * 12/2004 Pinon D24/110
D613,397 S 4/2010 Nakao et al.
D659,236 S * 5/2012 Bobjer D24/110
D677,377 S * 3/2013 White D24/110
D693,458 S * 11/2013 Wright D24/110
D711,528 S * 8/2014 Grunstad D24/110
D952,129 S * 5/2022 Lastow D24/110
2005/0183723 A1 * 8/2005 Pinon A61M 15/0065
128/203.15
2012/0291782 A1 * 11/2012 Bowman A61M 15/0045
128/203.15
2014/0000601 A1 * 1/2014 Arvidsson A61M 15/0081
128/203.15
2017/0056608 A1 * 3/2017 McDerment A61M 15/004
2021/0154418 A1 * 5/2021 Trummer A61M 15/003

* cited by examiner

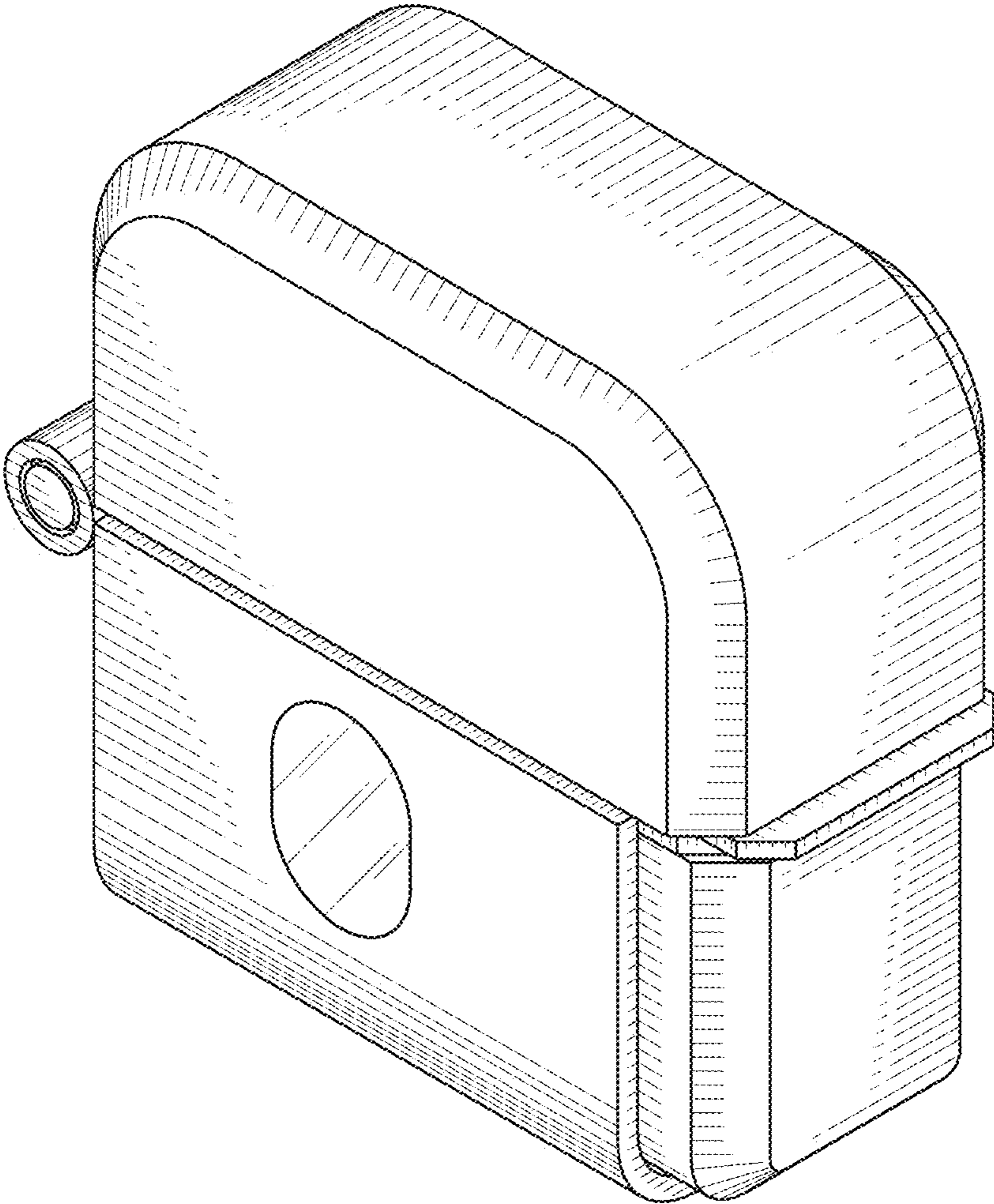


FIG. 1

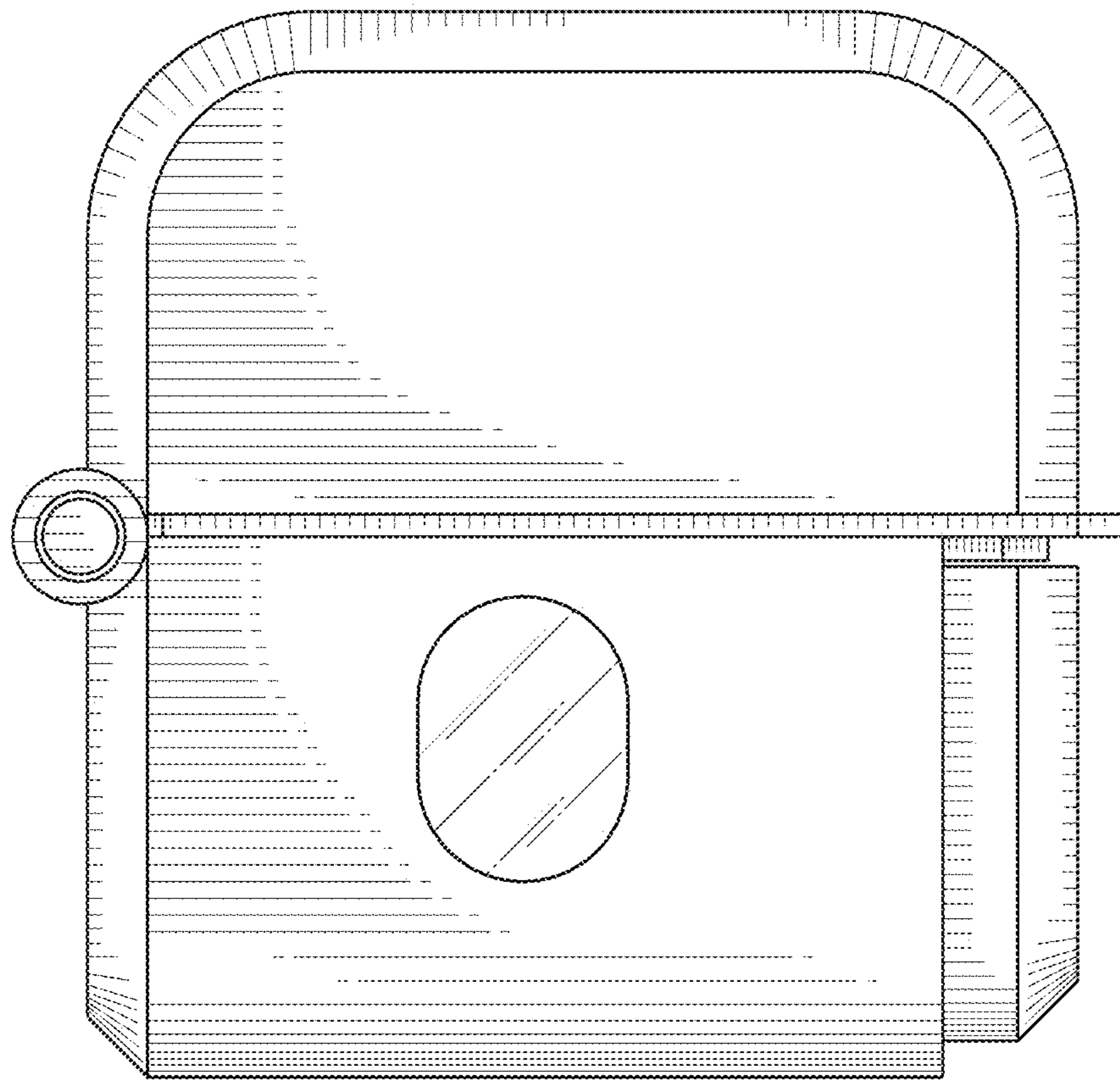


FIG. 2

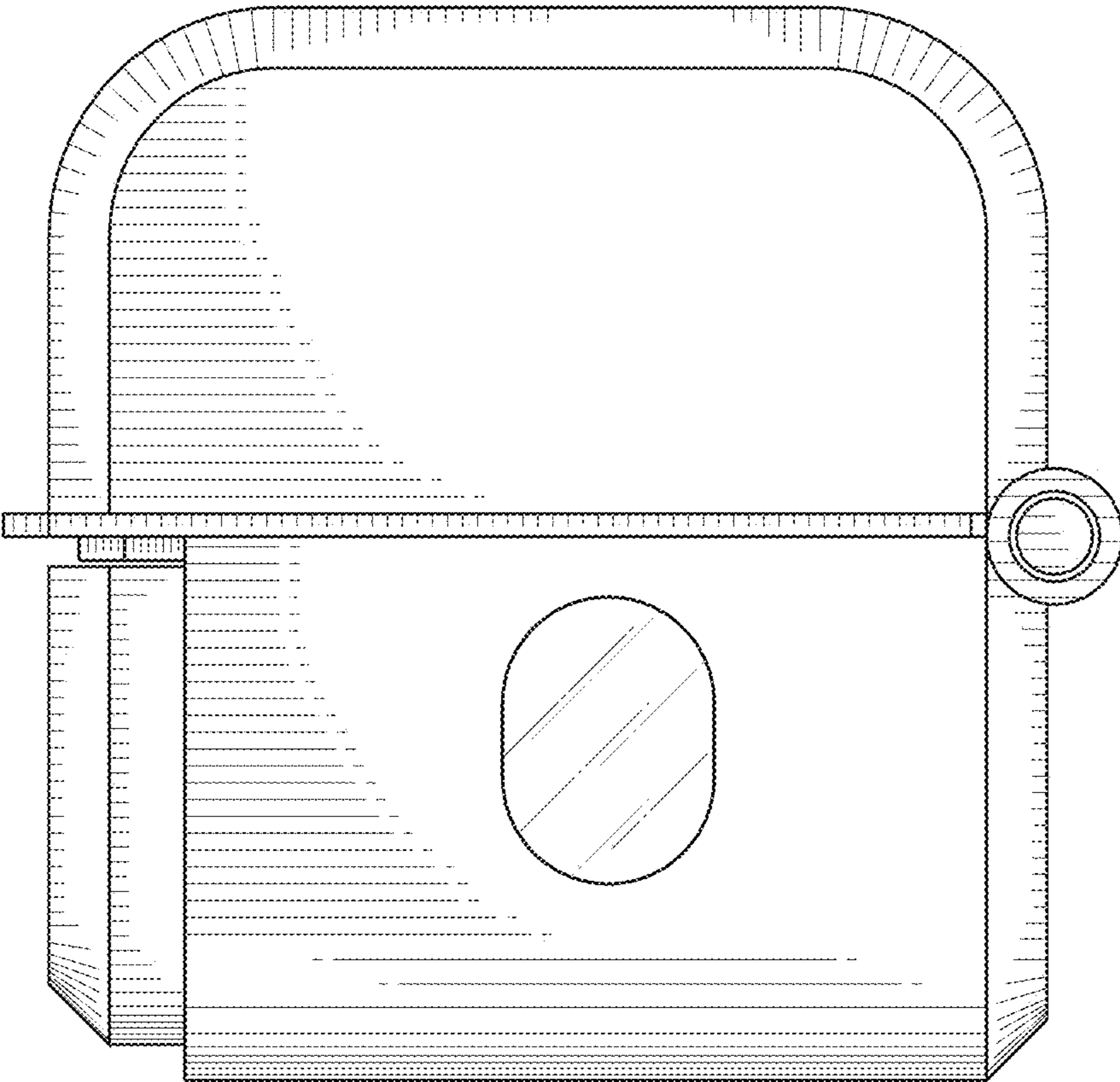


FIG. 3

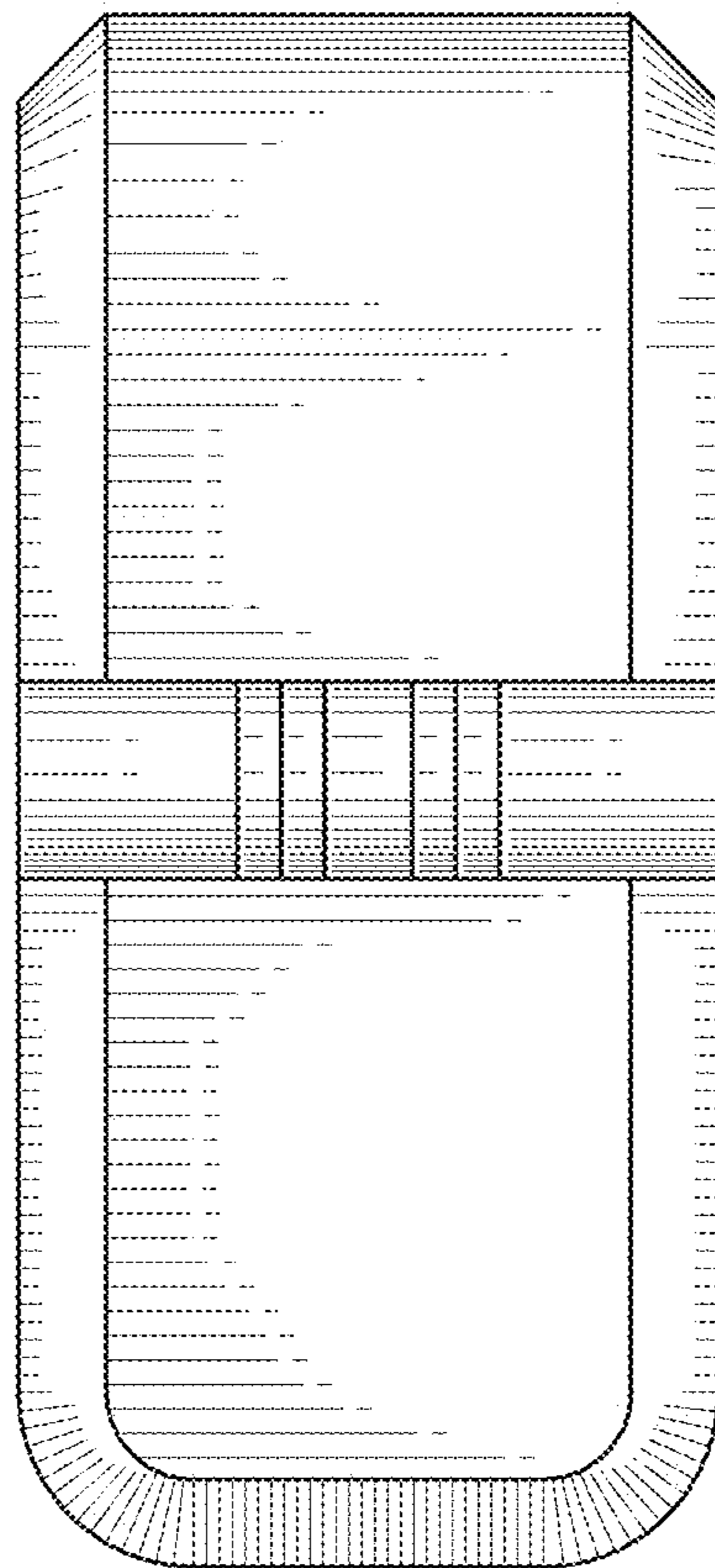


FIG. 4

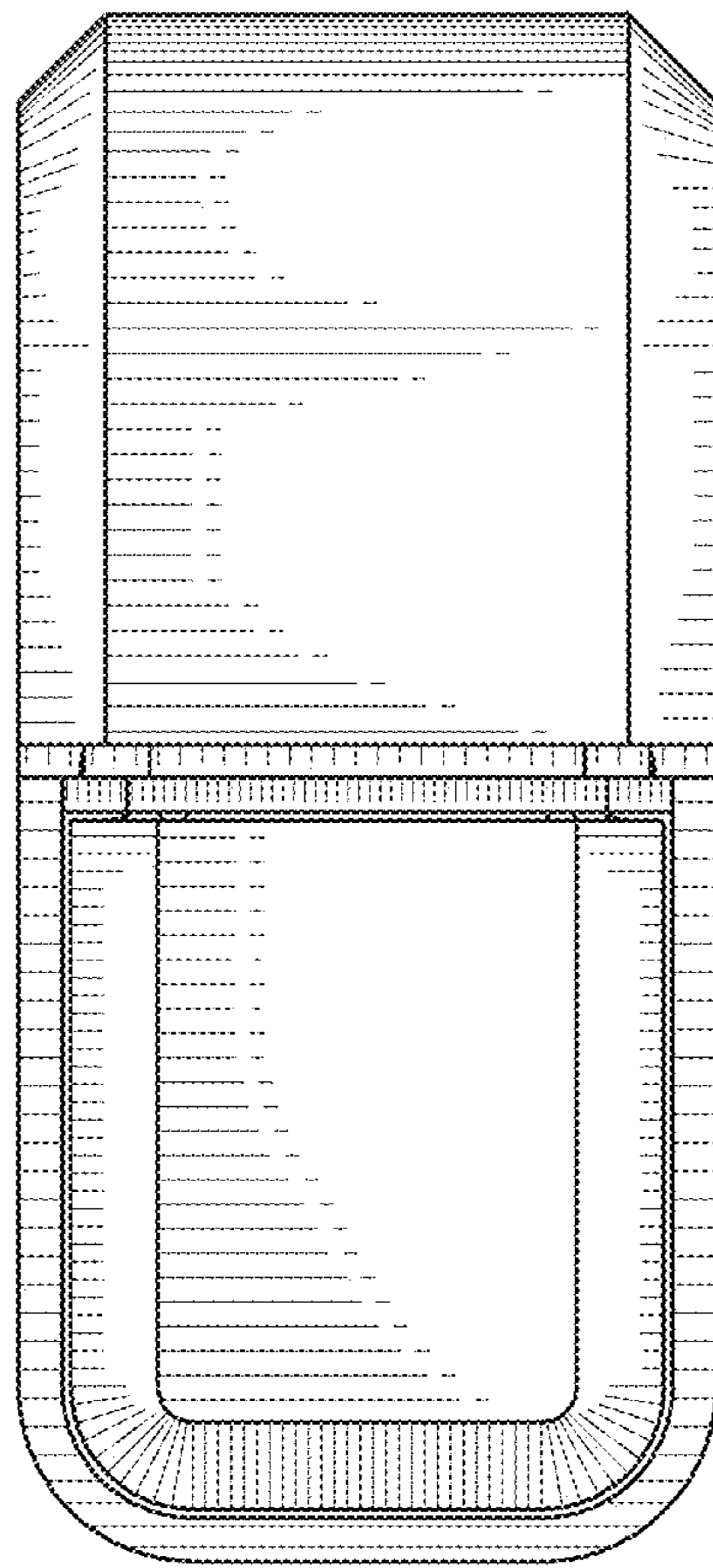


FIG. 5

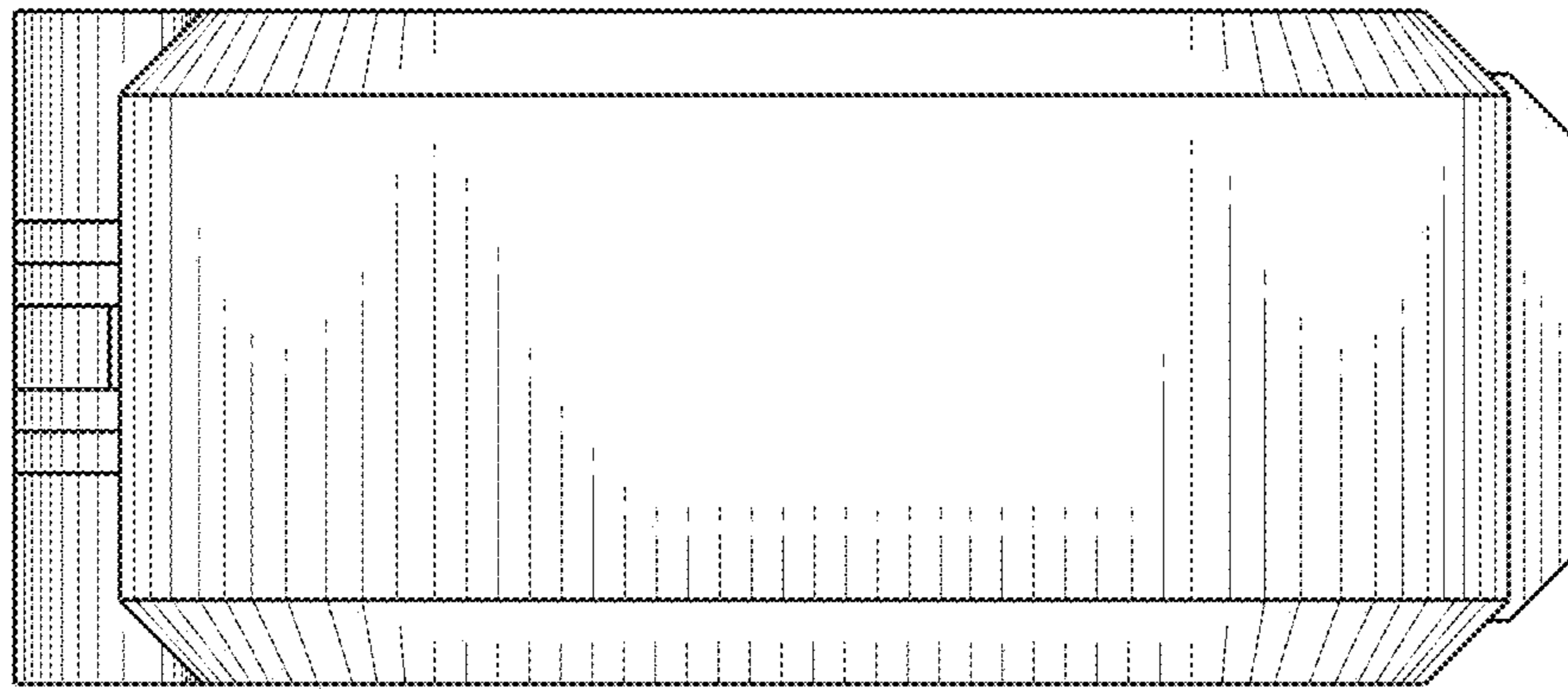


FIG. 6

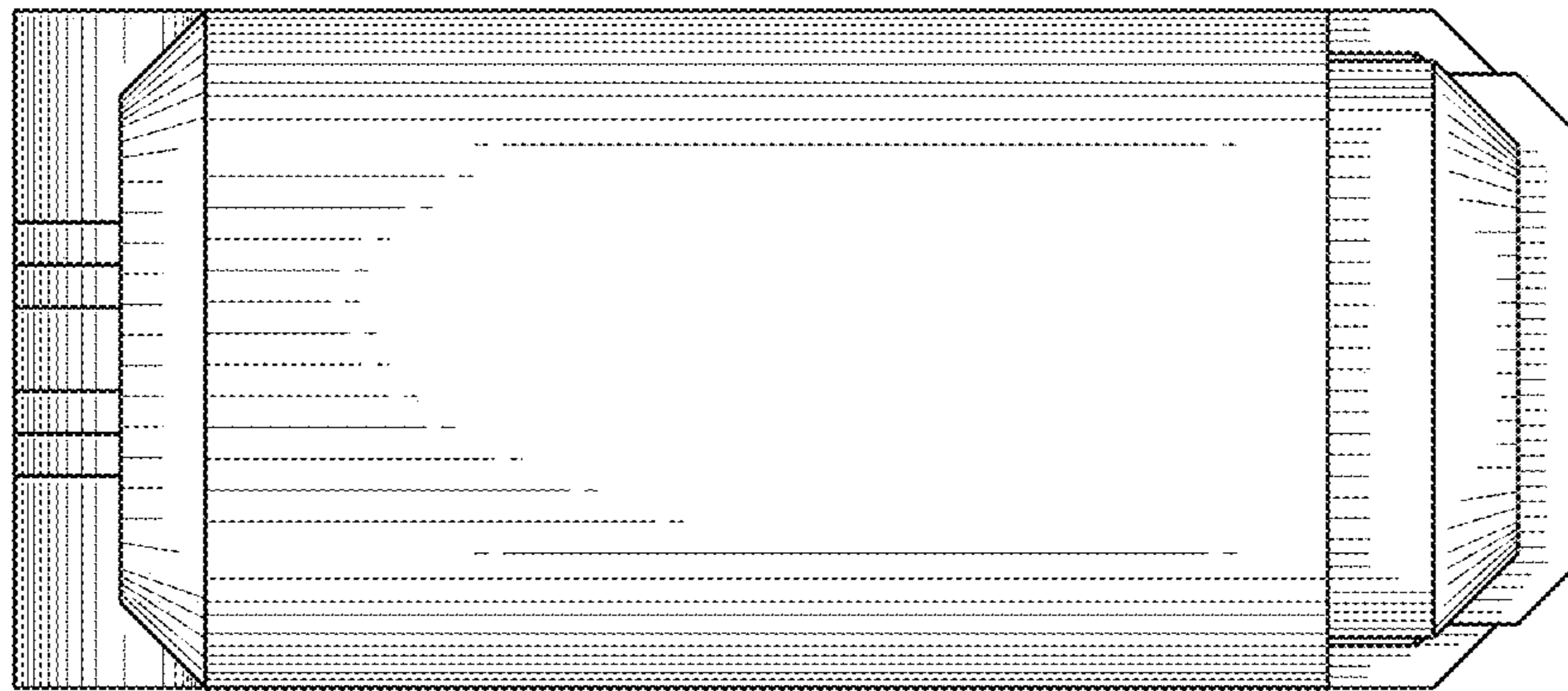


FIG. 7

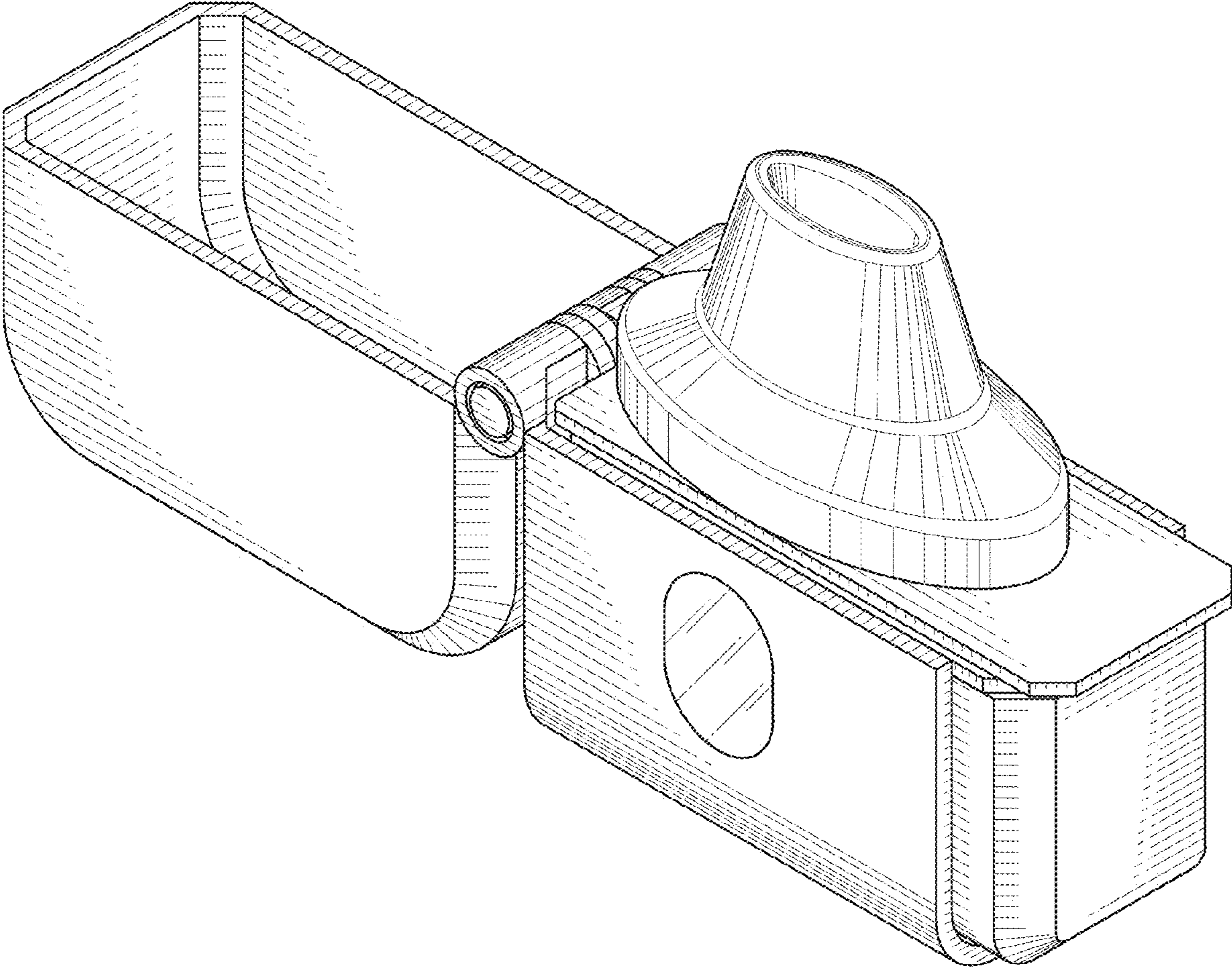


FIG. 8

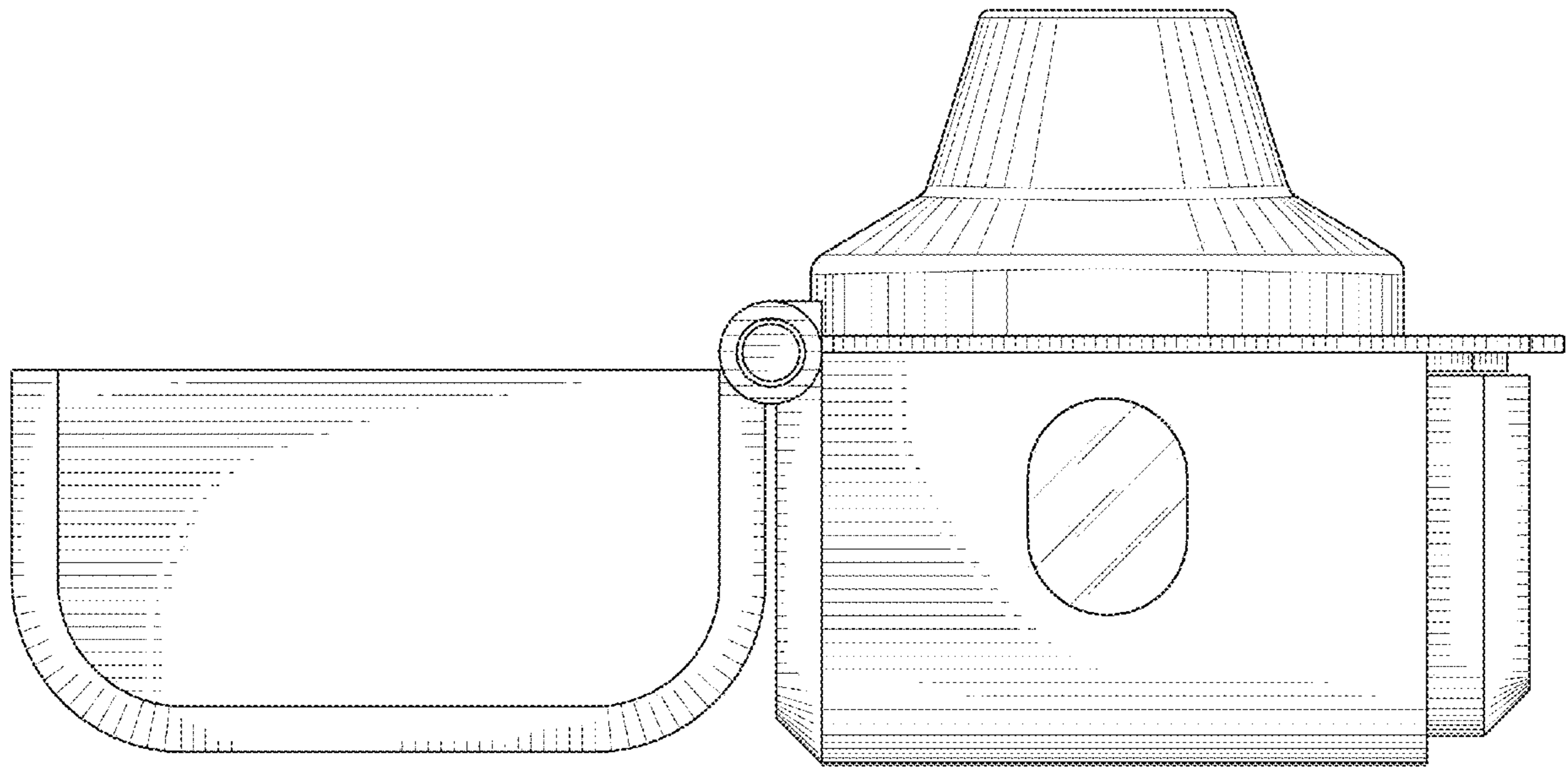


FIG. 9

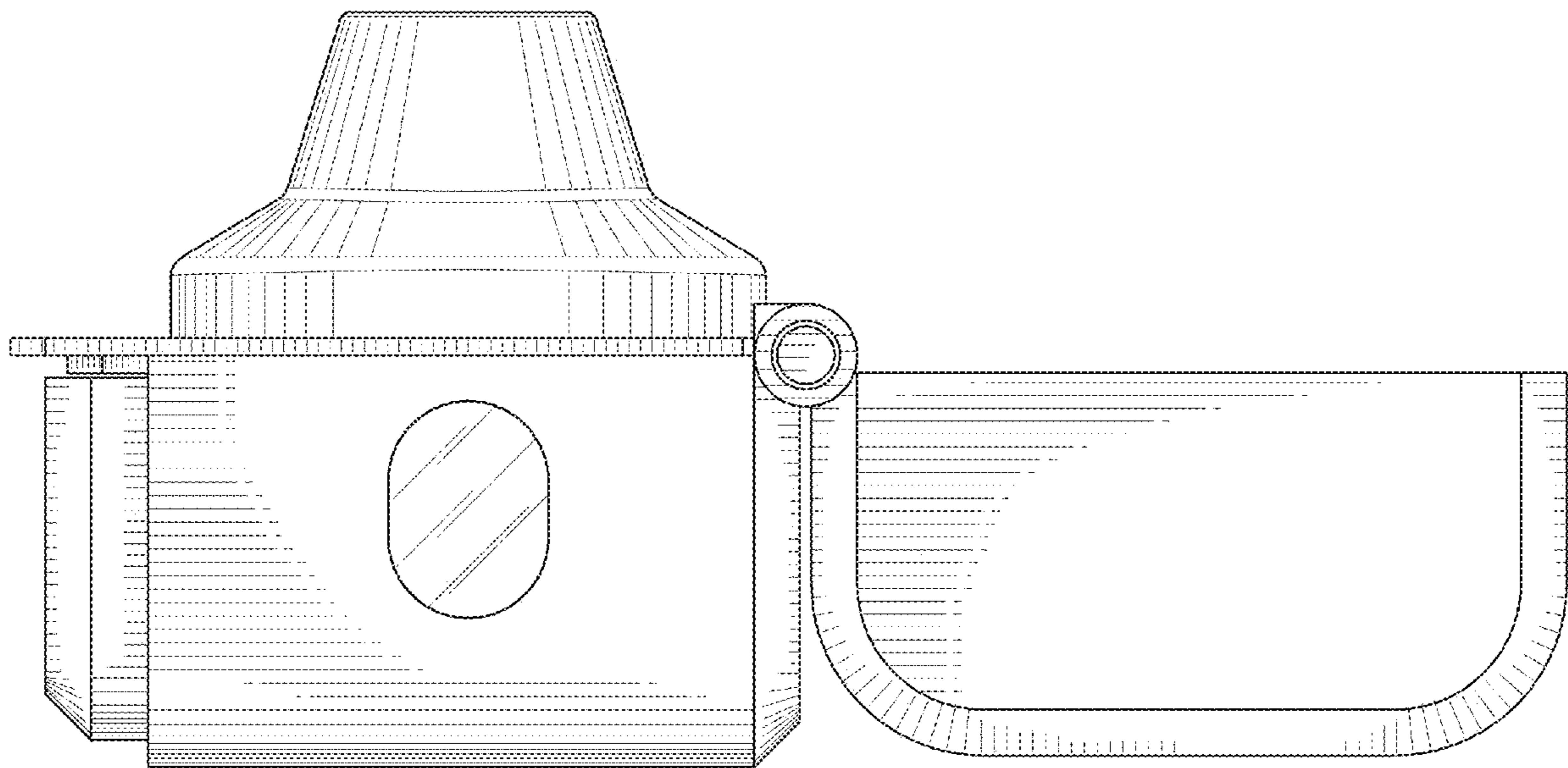


FIG. 10

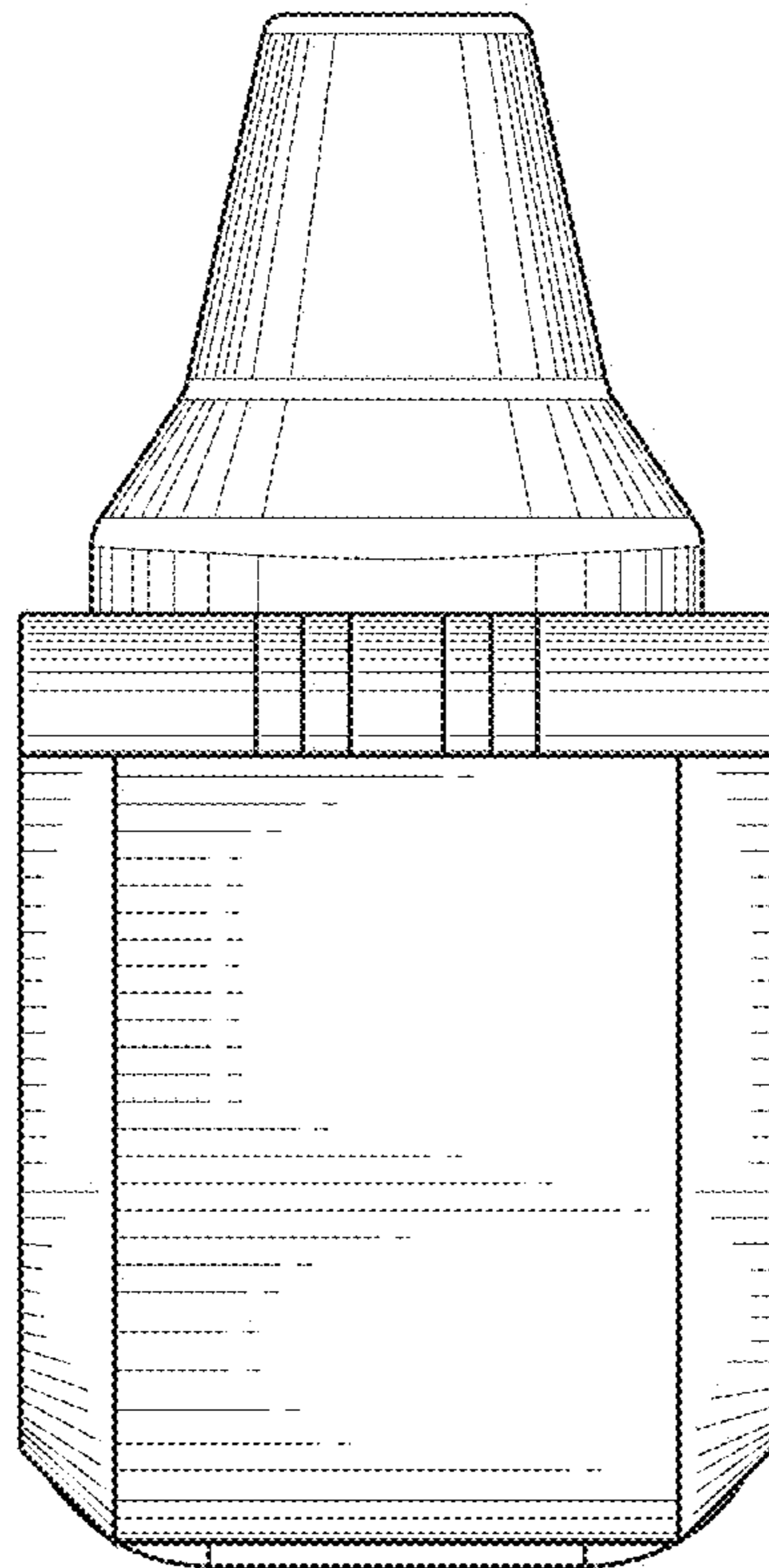


FIG. 11

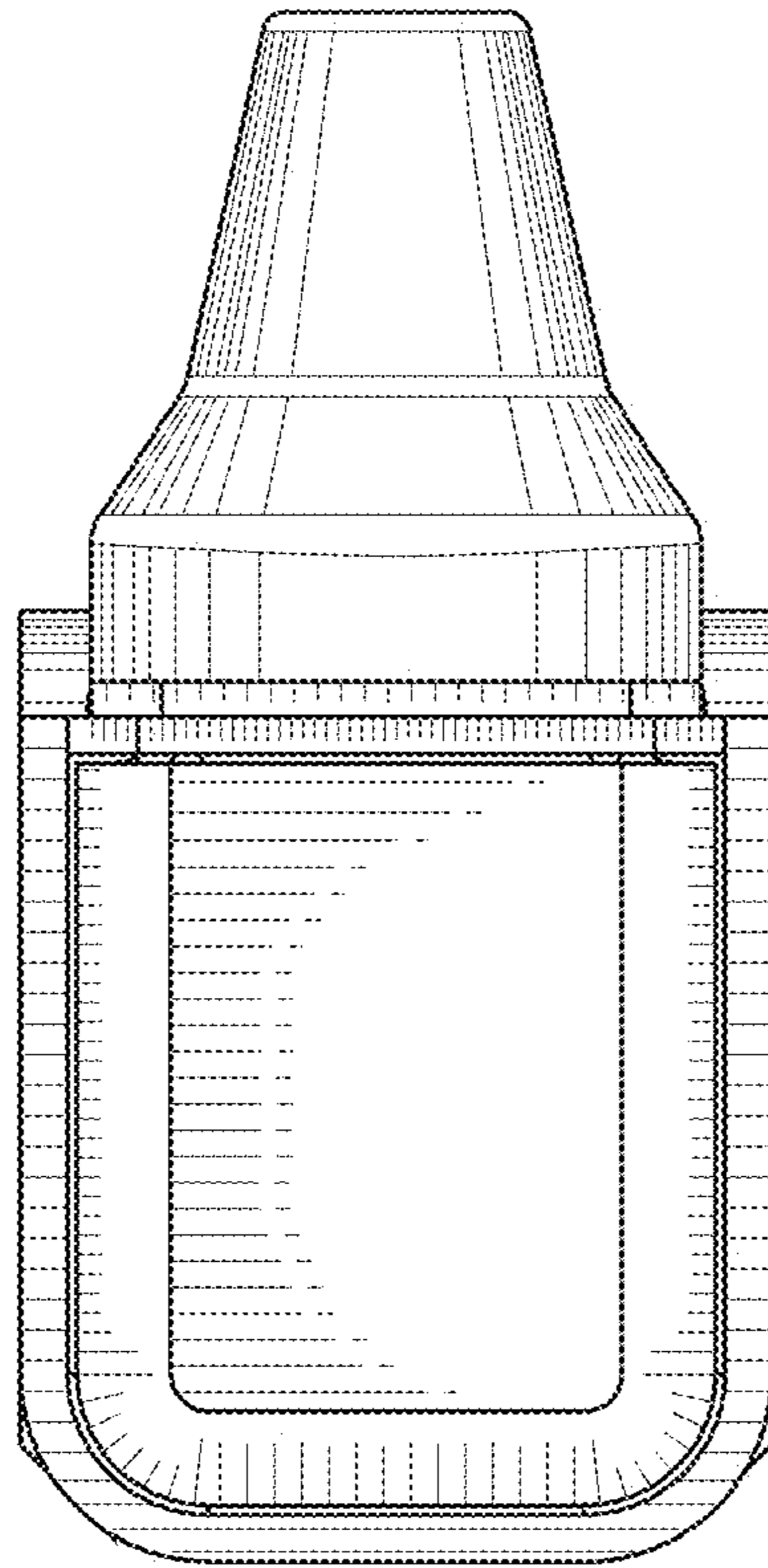


FIG. 12

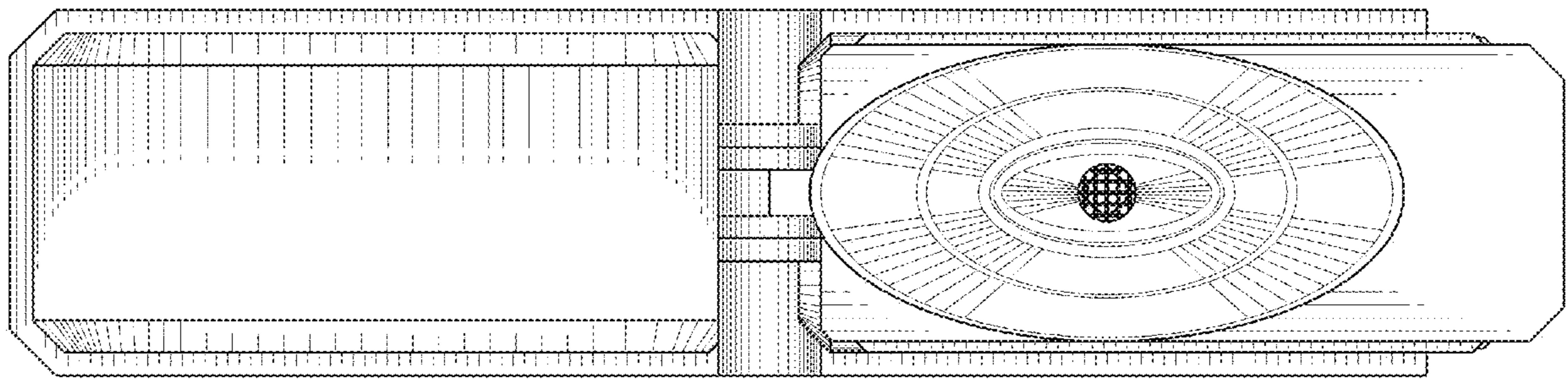


FIG. 13

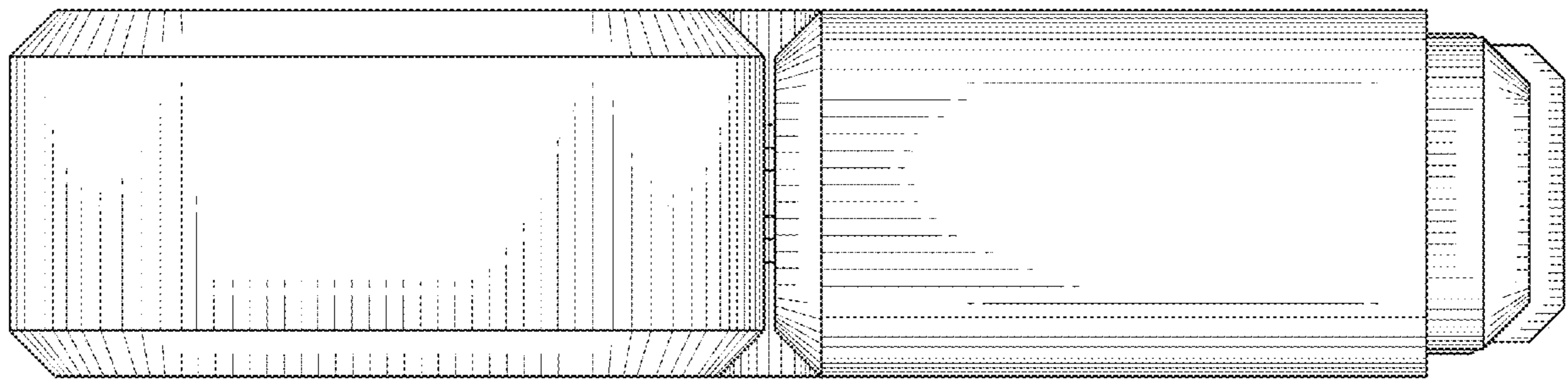


FIG. 14

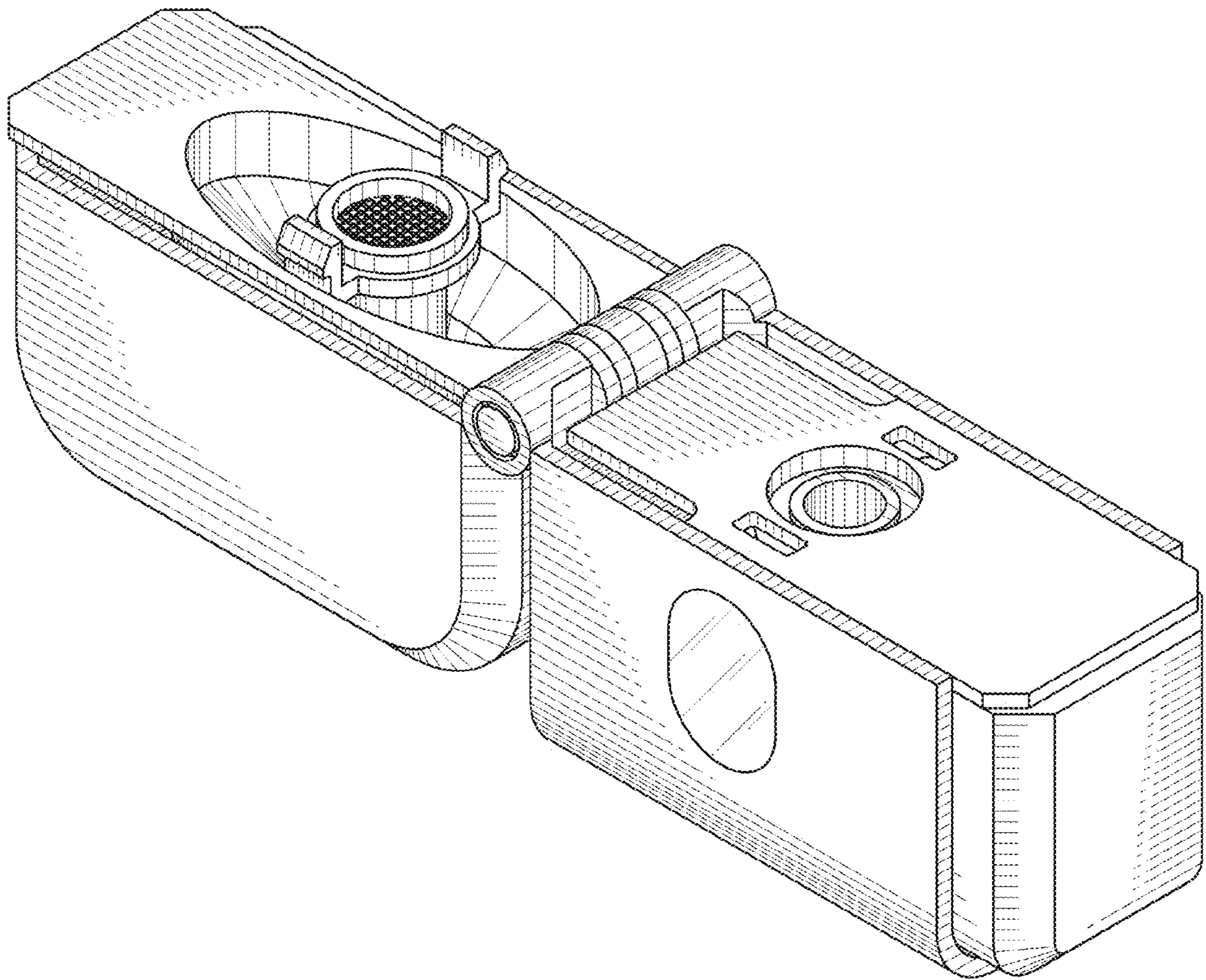


FIG. 15

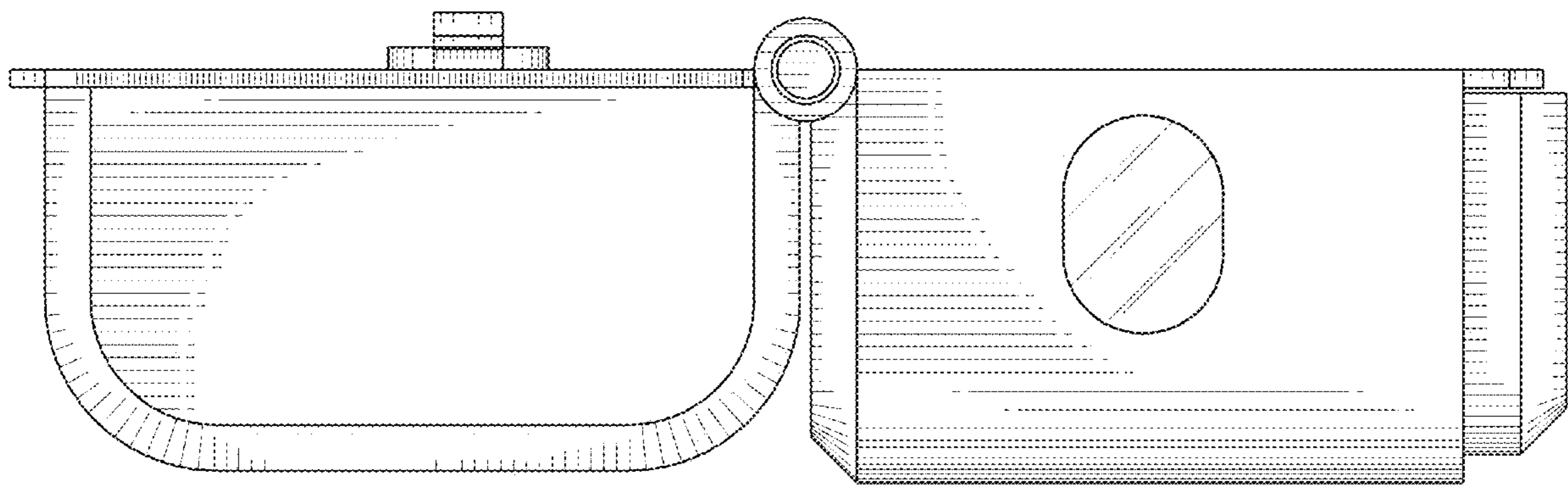


FIG. 16

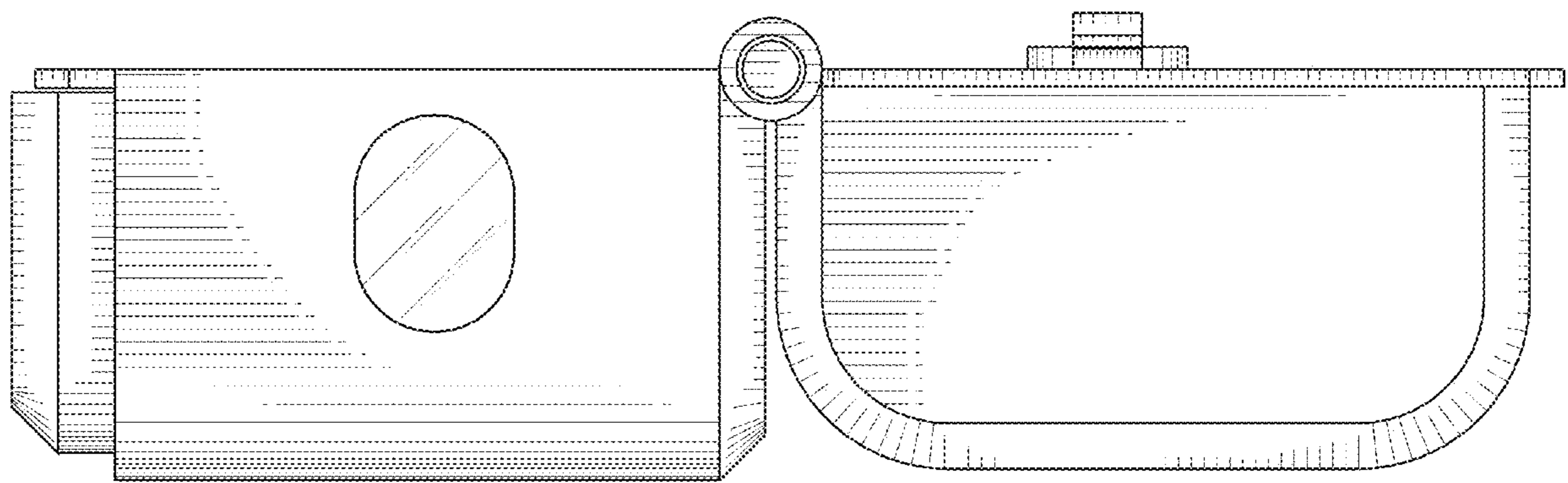


FIG. 17

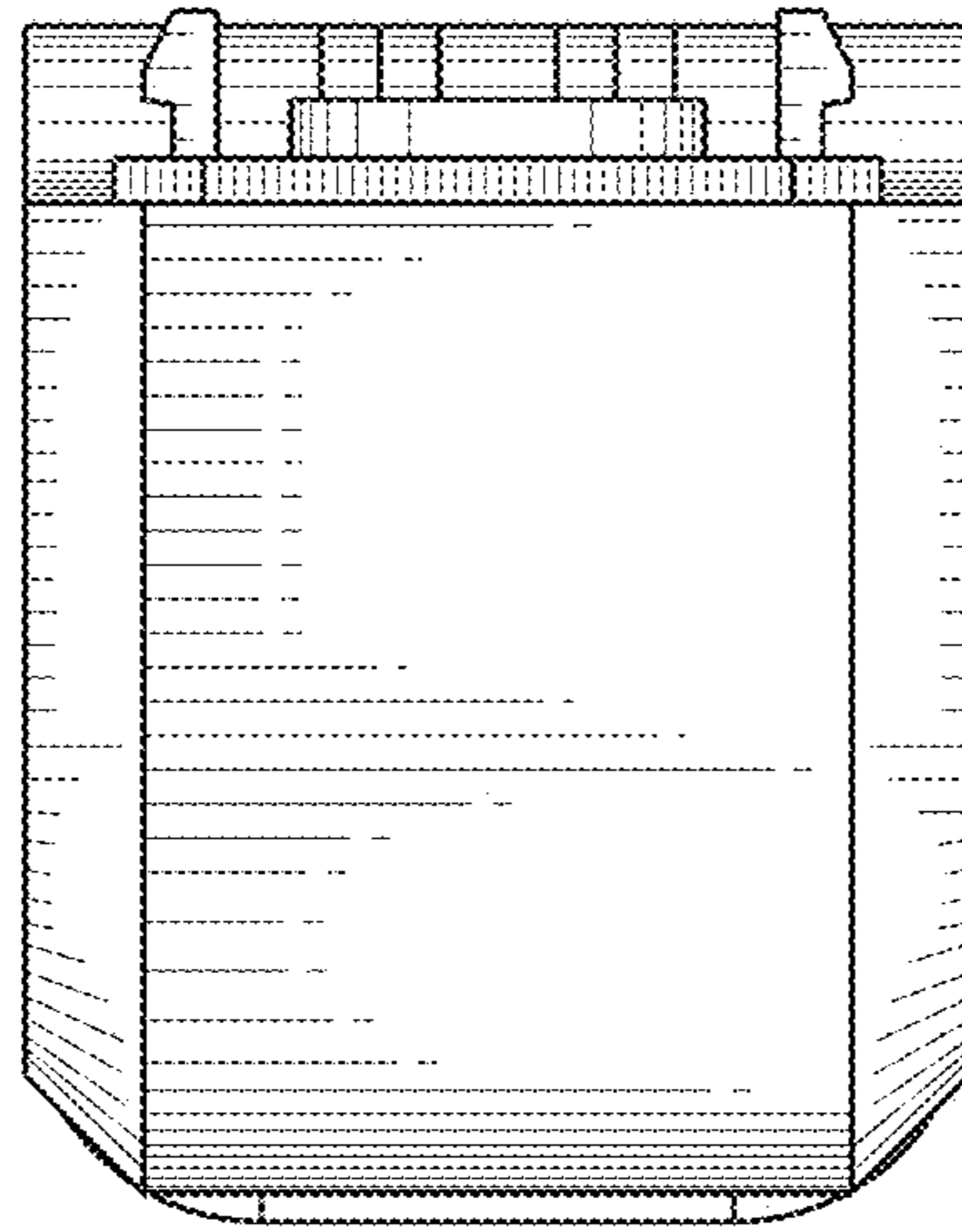


FIG. 18

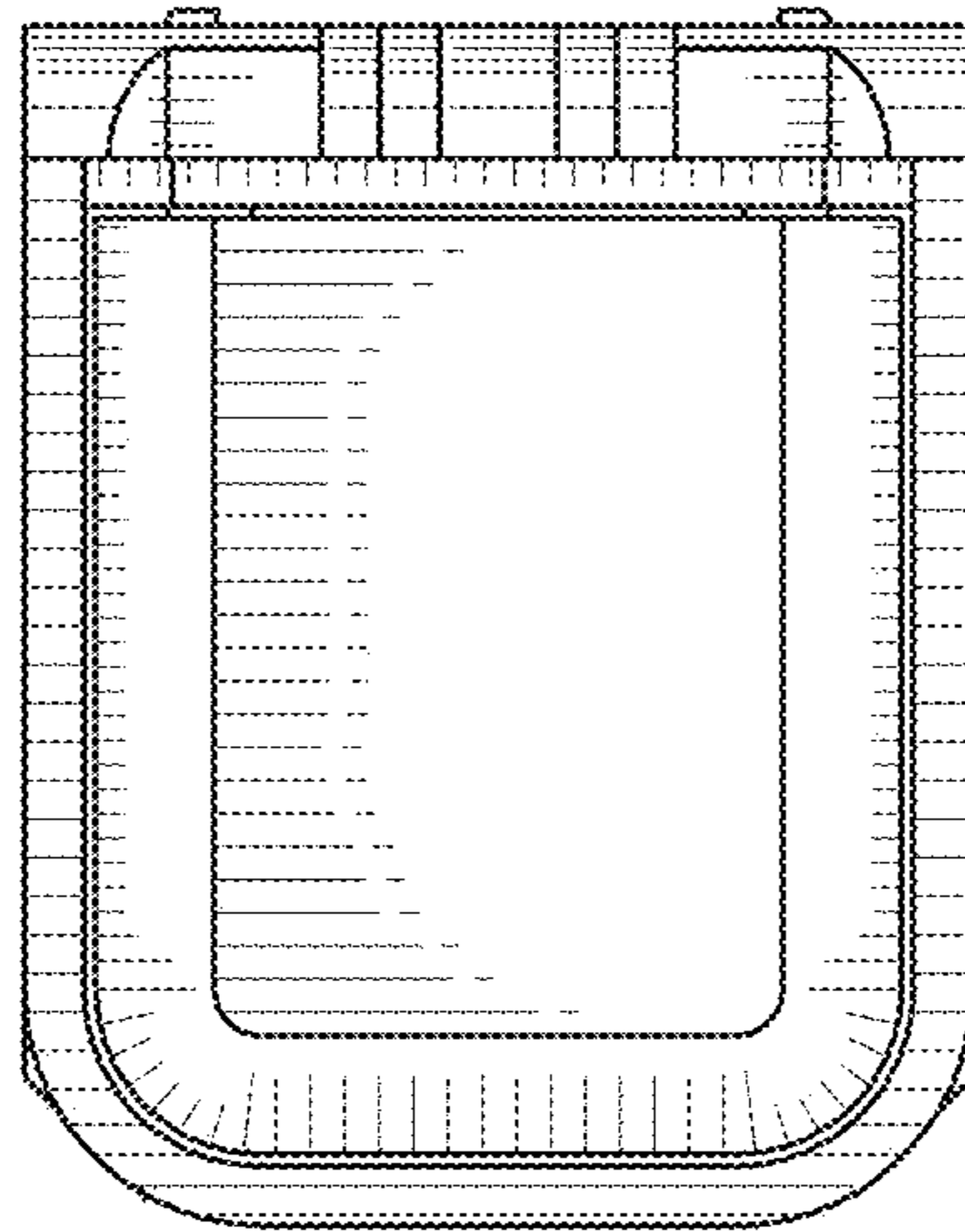


FIG. 19

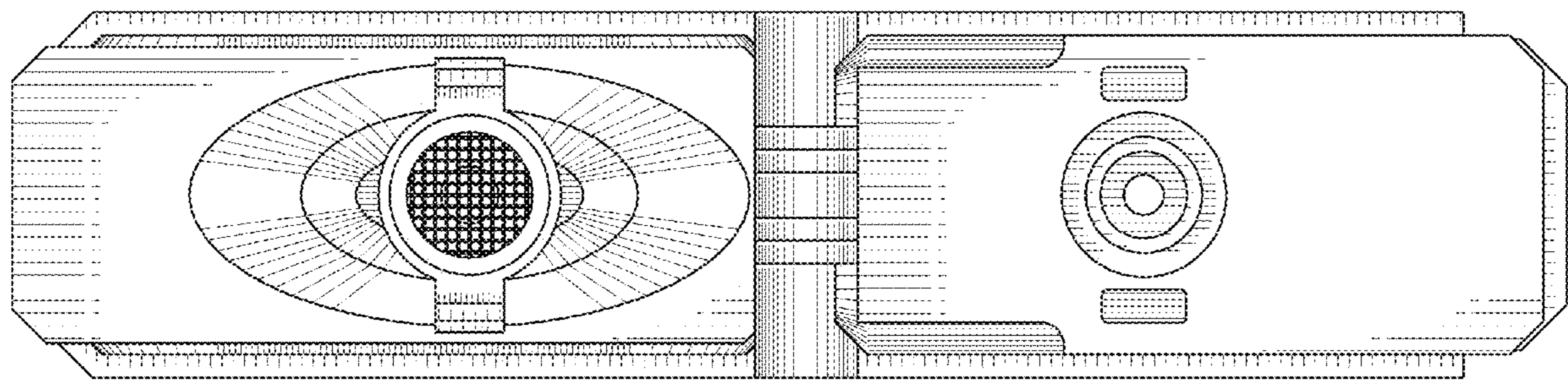


FIG. 20

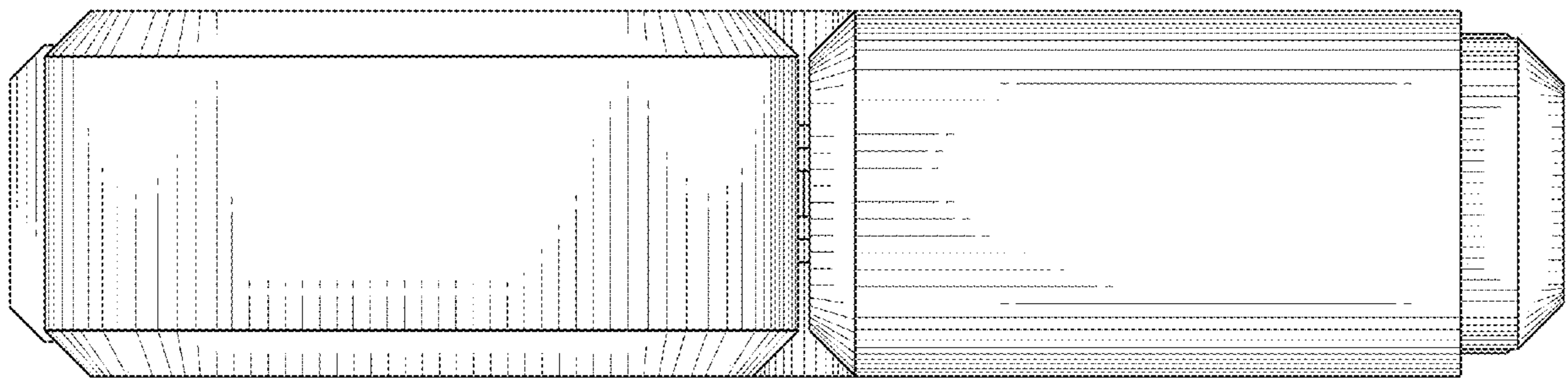


FIG. 21

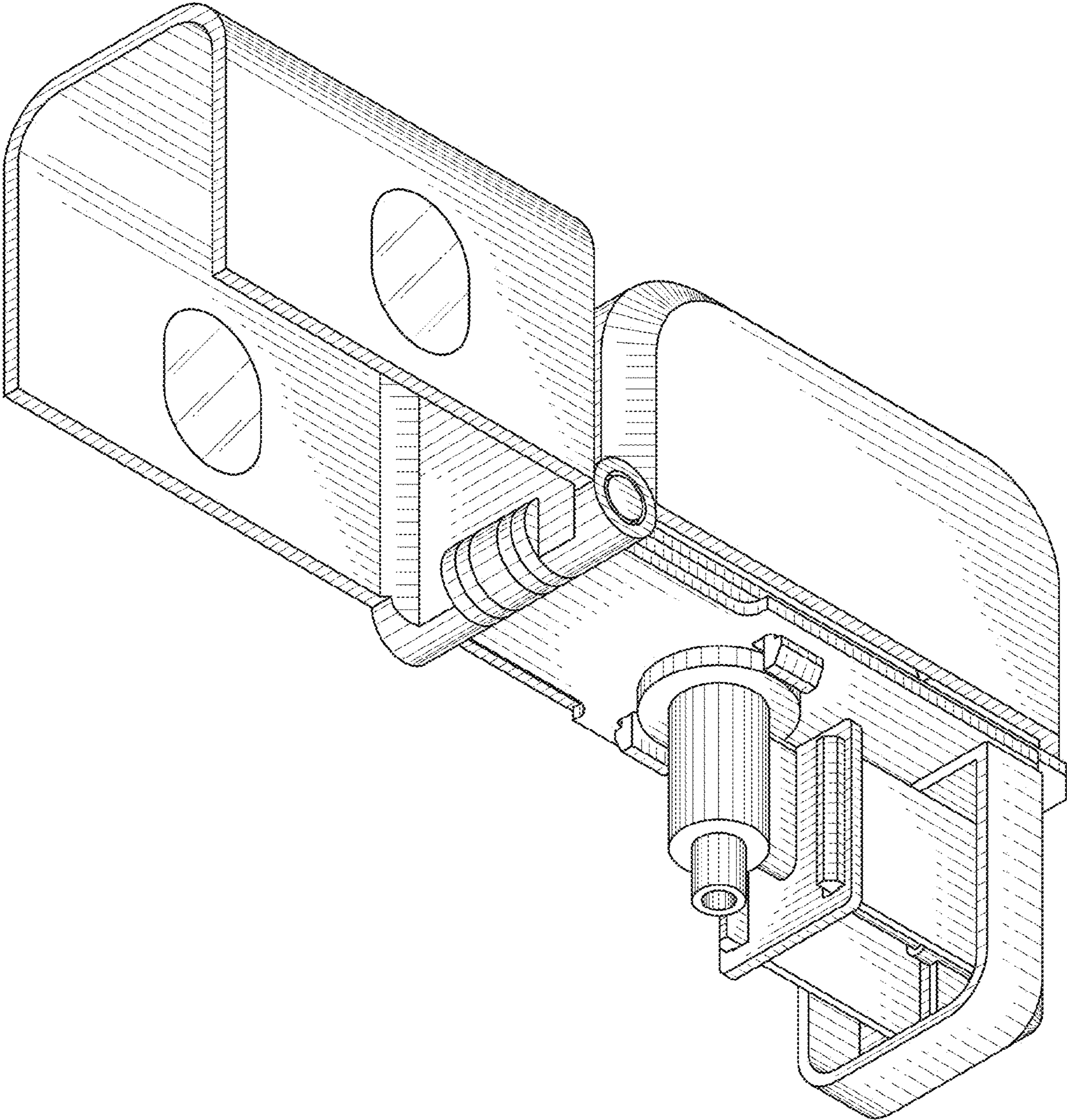


FIG. 22

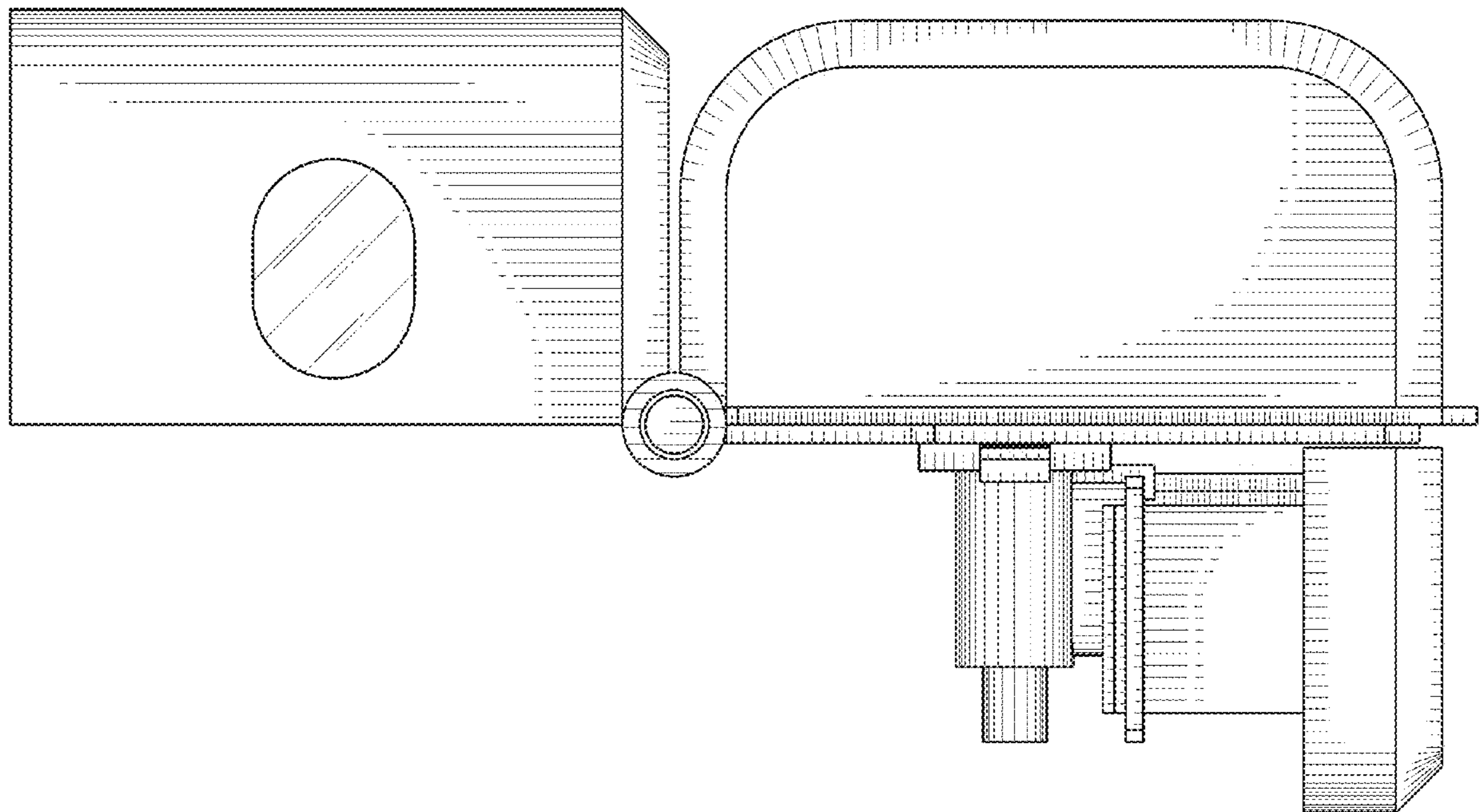


FIG. 23

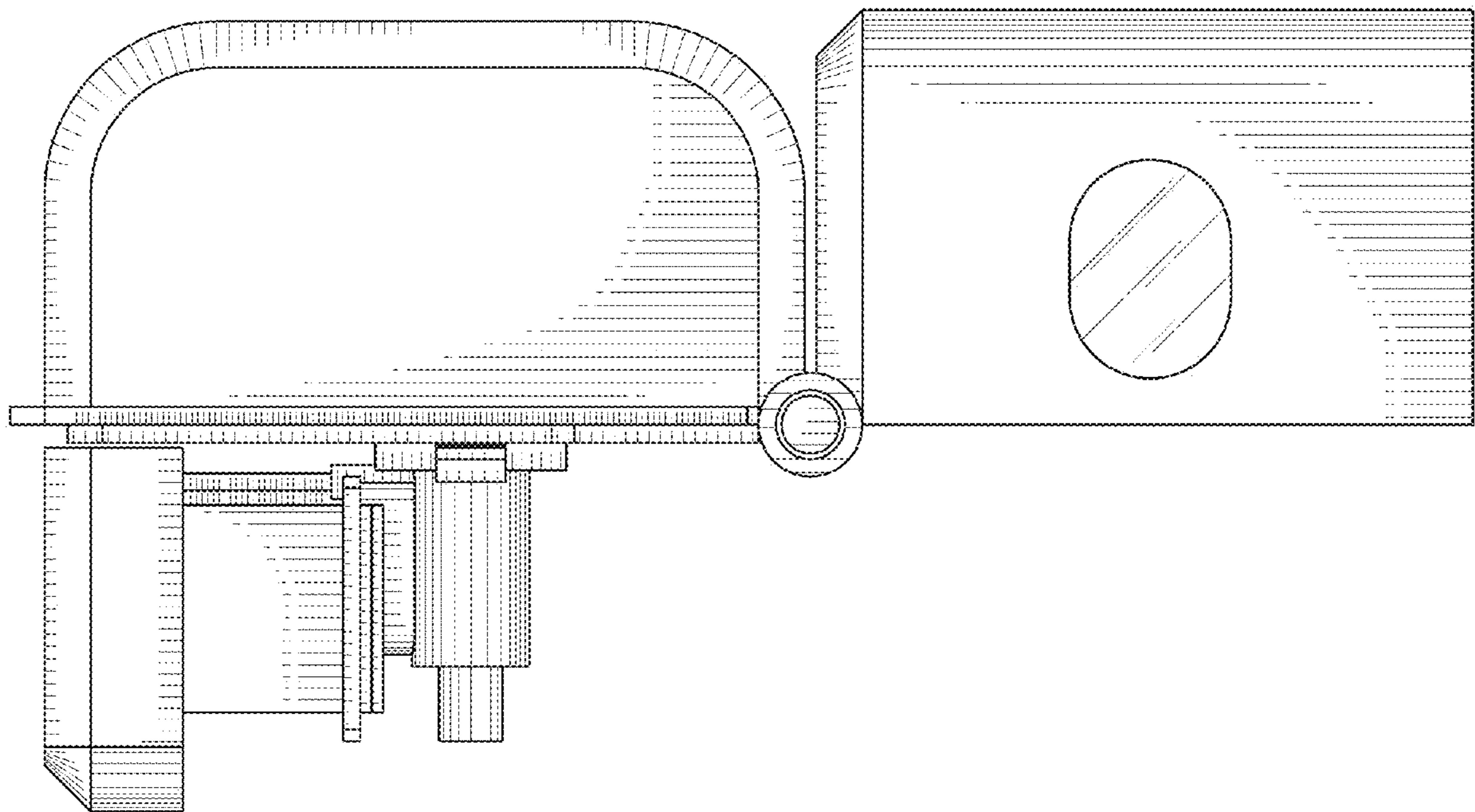


FIG. 24

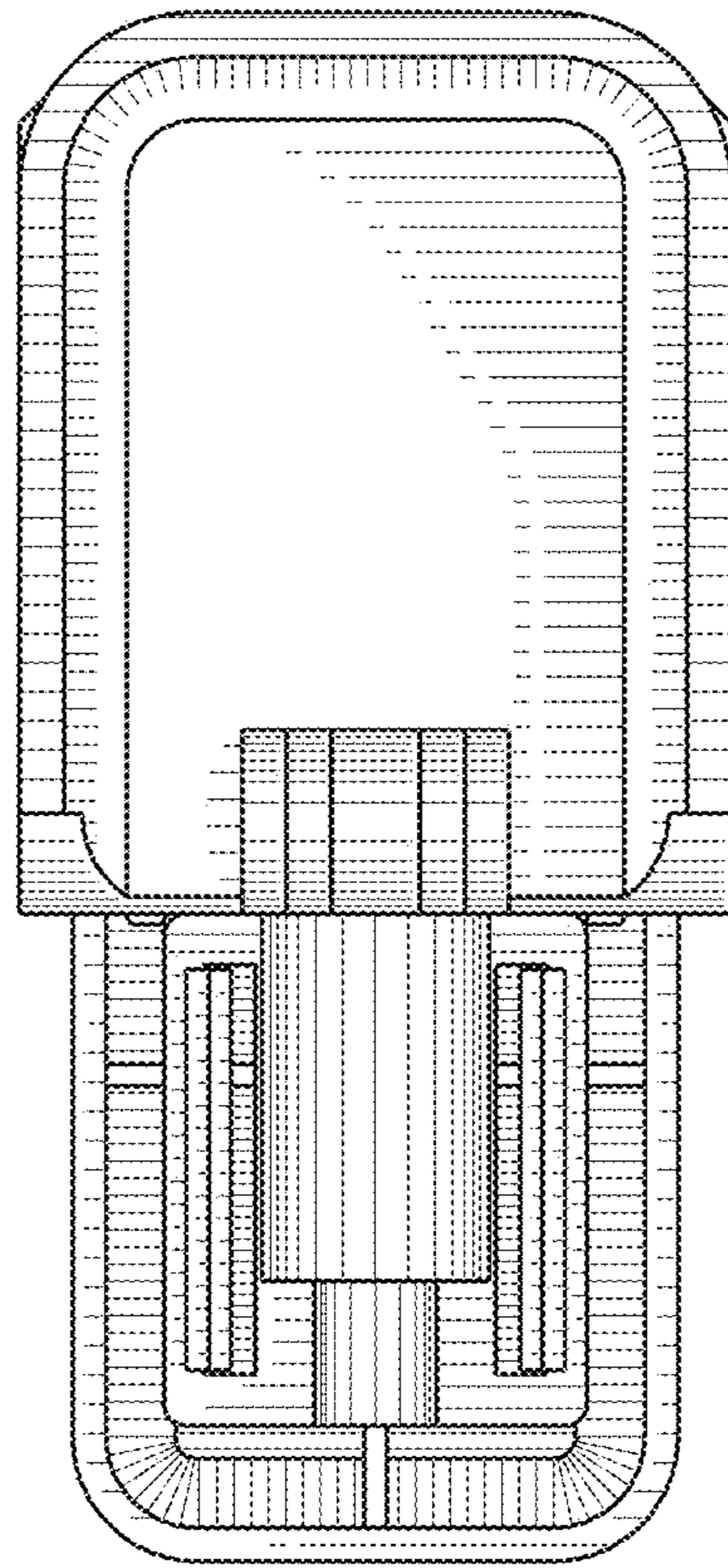


FIG. 25

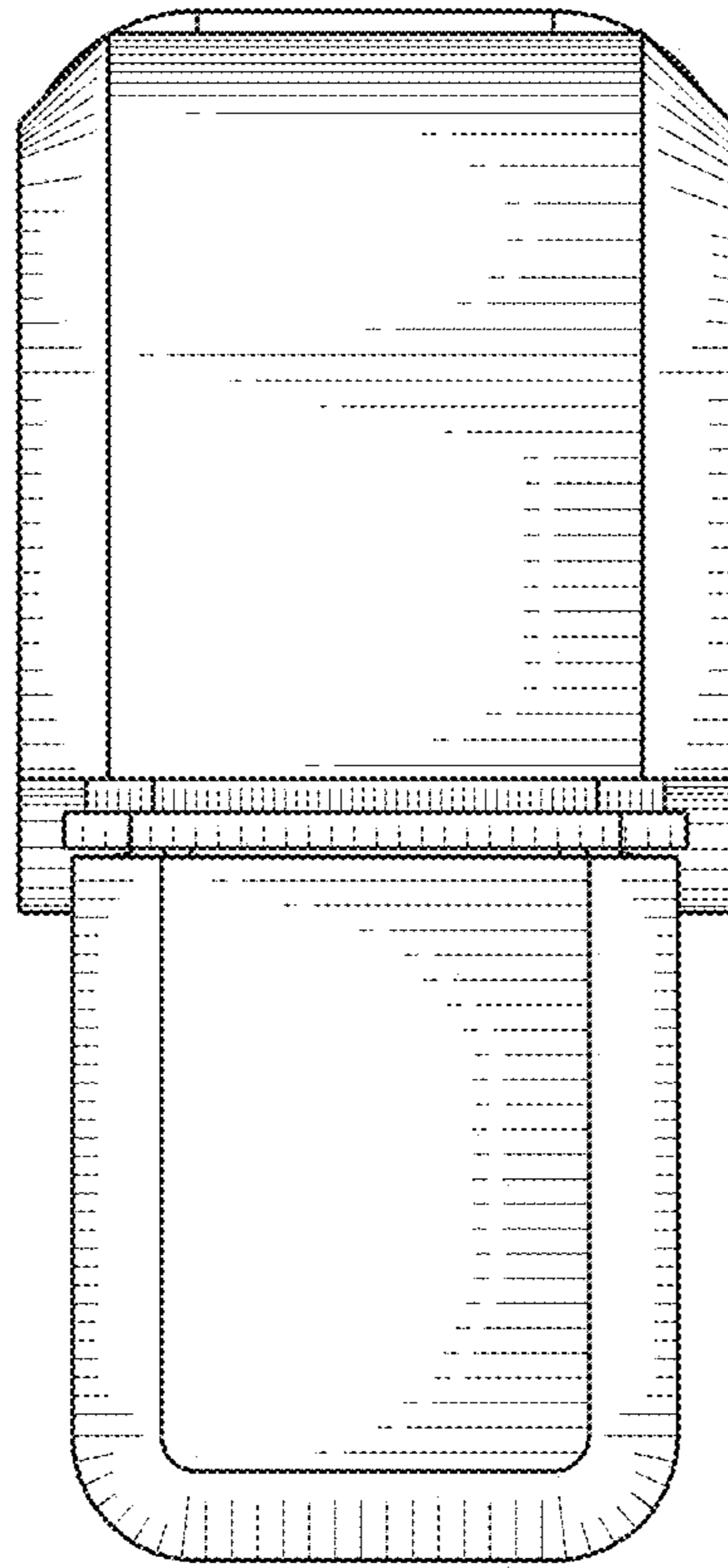


FIG. 26

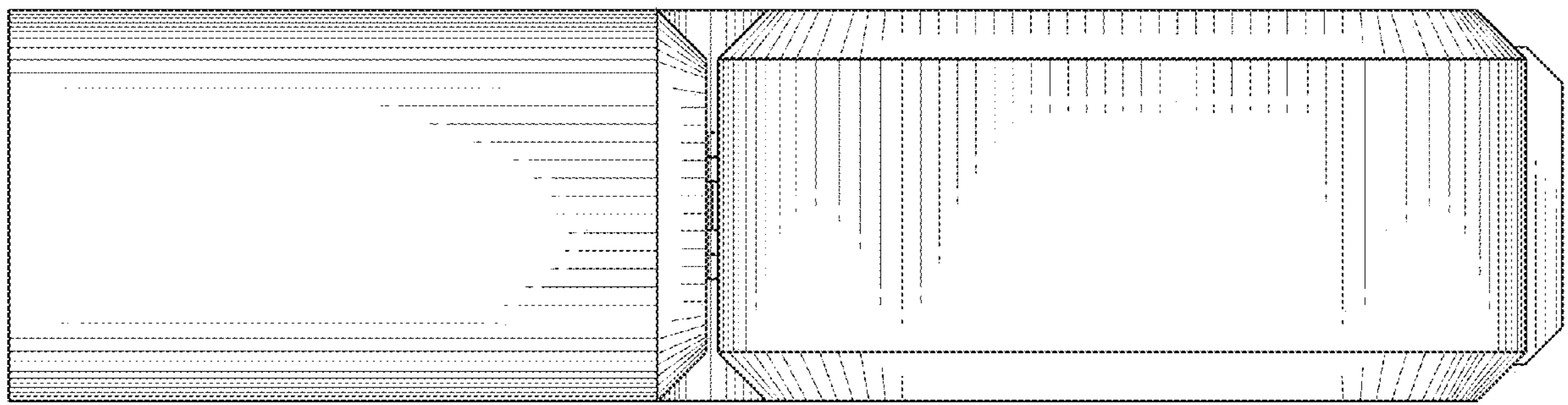


FIG. 27

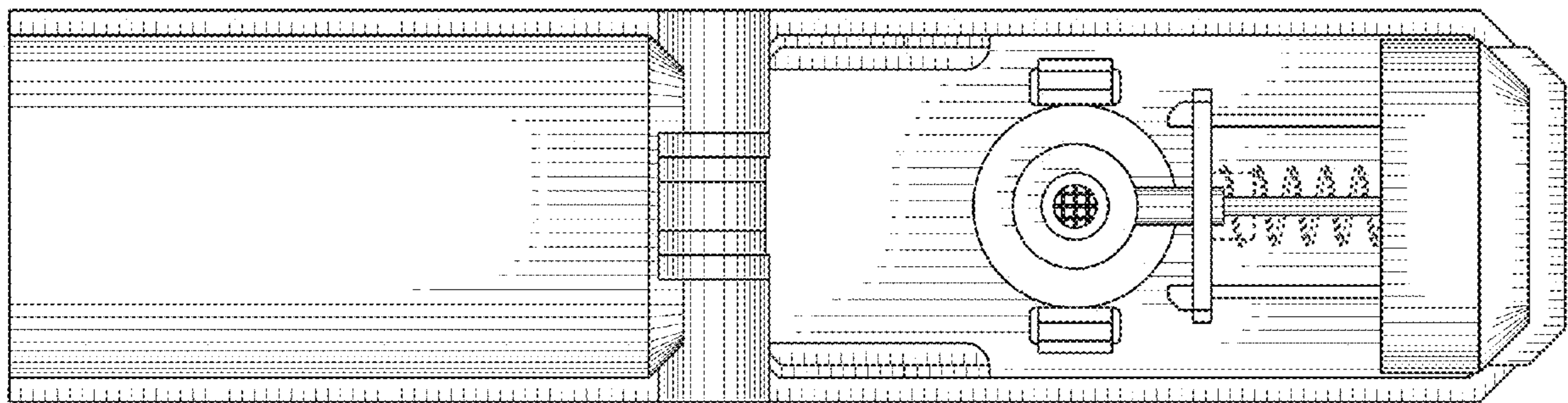


FIG. 28