



US00D986405S

(12) **United States Design Patent**
Hirasawa et al.

(10) **Patent No.:** **US D986,405 S**

(45) **Date of Patent:** **** May 16, 2023**

(54) **NEBULIZER COMPRESSOR**

(71) Applicant: **OMRON HEALTHCARE Co., Ltd.,**
Muko (JP)

(72) Inventors: **Asa Hirasawa, Kyoto (JP); Tsuyoshi**
Ogihara, Kyoto (JP); Kosuke Inoue,
Kyoto (JP); **Gen Suzuki, Kamakura**
Kyoto (JP); **Kengo Nishiyama, Kyoto (JP)**

(73) Assignee: **OMRON HEALTHCARE Co., Ltd.,**
Kyoto (JP)

(**) Term: **15 Years**

(21) Appl. No.: **29/745,632**

(22) Filed: **Aug. 7, 2020**

(30) **Foreign Application Priority Data**

Feb. 10, 2020 (WO) WIPO89353

(51) **LOC (14) Cl.** **24-01**

(52) **U.S. Cl.**
USPC **D24/110**

(58) **Field of Classification Search**
USPC D24/107, 108, 109, 110, 111, 164;
D13/108; D15/7, 9; D23/208, 356, 359,
D23/360, 366
CPC A61M 16/162; A61M 16/16; A61M 16/14;
A61M 16/20; A61M 11/02; A61M 11/04;
A61M 11/00
See application file for complete search history.

(56) **References Cited**

U.S. PATENT DOCUMENTS

D255,712 S * 7/1980 Chihara D23/356
D498,768 S * 11/2004 Romandy D15/9
D570,473 S * 6/2008 Hamaguchi D24/110
D609,318 S * 2/2010 Lam D23/356
D681,791 S * 5/2013 Jorgensen D23/366
D700,692 S * 3/2014 Engelhardt D23/360

D733,859 S * 7/2015 Hsiao F24F 11/30
D23/366
D740,929 S * 10/2015 Pipe D24/108
D745,137 S * 12/2015 Pipe D24/108
D757,921 S * 5/2016 Li D23/366
D824,959 S * 8/2018 Scarleski D15/7
D826,388 S * 8/2018 Yeung D23/356
D847,323 S * 4/2019 Gan D23/356

(Continued)

FOREIGN PATENT DOCUMENTS

WO D210778-010 * 8/2022
WO D210778-023 * 8/2022
WO D210778-024 * 8/2022

OTHER PUBLICATIONS

[Omron Compressor Nebulizer NE-C105 Nebulizer], ifdesign.com,
Posted: 2021 [online], site visited: [Oct. 28, 2022], URL: <https://
ifdesign.com/en/winner-ranking/project/omron-compressor-nebulizer-
ne-c105/312320>. (Year: 2021).*

(Continued)

Primary Examiner — Jonathan J Han

Assistant Examiner — Amanda J Berlinski

(74) *Attorney, Agent, or Firm* — Capitol City TechLaw

(57) **CLAIM**

The ornamental design for a nebulizer compressor, as shown.

DESCRIPTION

FIG. 1 is a front, top, and right side perspective view of a nebulizer compressor showing our new design;

FIG. 2 is a front view thereof;

FIG. 3 is a rear view thereof;

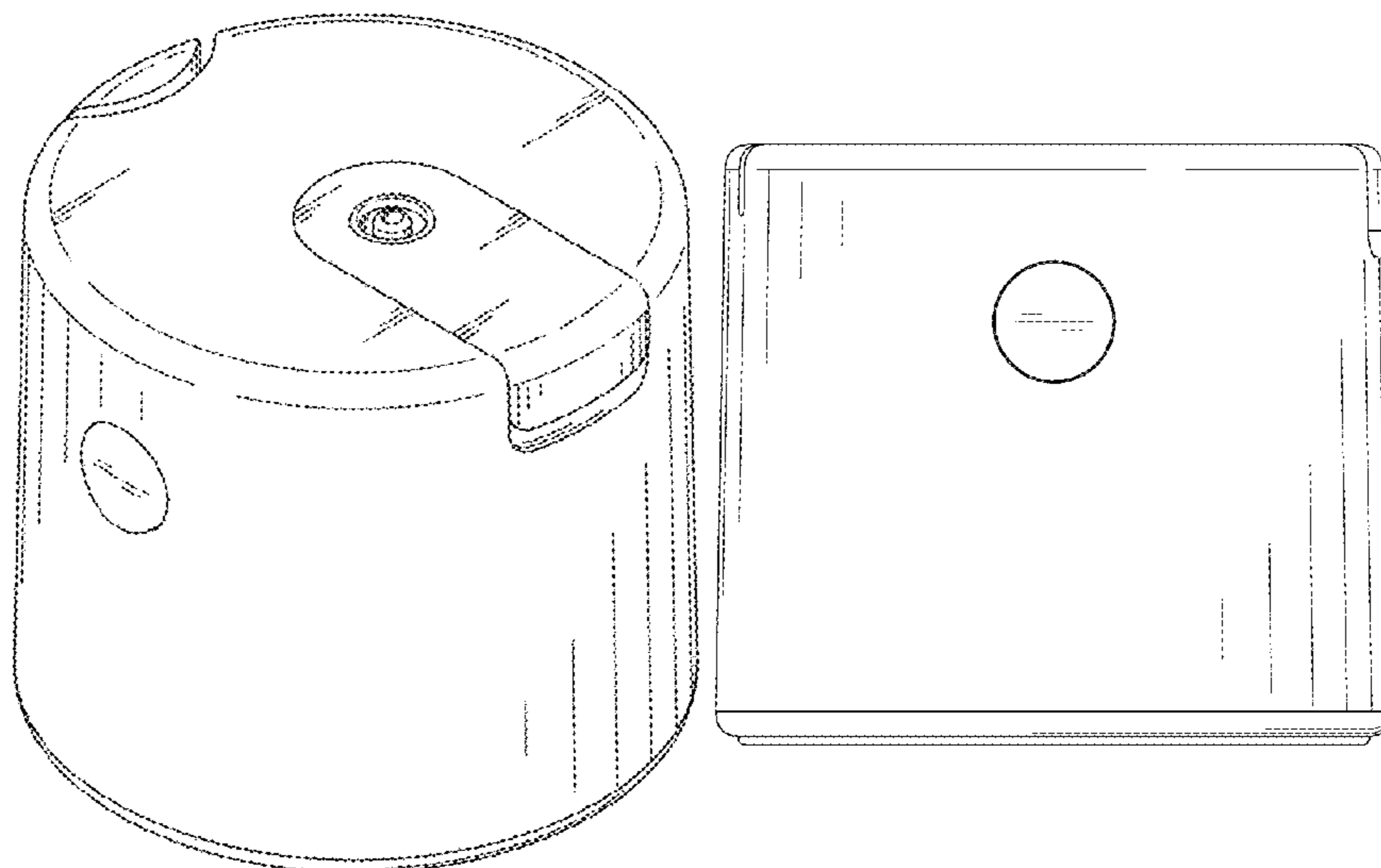
FIG. 4 is a top view thereof;

FIG. 5 is a bottom view thereof;

FIG. 6 is a right side view thereof; and,

FIG. 7 is a left side view thereof.

1 Claim, 7 Drawing Sheets



(56)

References Cited

U.S. PATENT DOCUMENTS

D849,057 S * 5/2019 Jörißen G06F 3/0482
 D15/7
 D849,218 S * 5/2019 Liang D23/356
 D850,596 S * 6/2019 Wu D23/366
 D862,671 S * 10/2019 Zhou D23/356
 D870,040 S * 12/2019 Wu D13/108
 D879,274 S * 3/2020 Hu D23/356
 D882,061 S * 4/2020 Fang D24/109
 D886,978 S * 6/2020 Jo D23/366
 D892,288 S * 8/2020 Baillie D23/356
 D892,289 S * 8/2020 Baillie D23/356
 D900,989 S * 11/2020 Liu D23/356
 D906,500 S * 12/2020 Seo D23/356
 D909,556 S * 2/2021 Chen F24F 11/30
 D23/356
 D911,507 S * 2/2021 Guo D23/366
 D913,475 S * 3/2021 Wu D23/366
 D914,189 S * 3/2021 Ye D23/366
 D919,064 S * 5/2021 Wang D23/356
 D921,177 S * 6/2021 Alexander D23/366
 D925,716 S * 7/2021 Qin D23/356
 D931,432 S * 9/2021 Baillie D23/356

D932,606 S * 10/2021 Wang D23/356
 D932,682 S * 10/2021 Chang D26/106
 D943,070 S * 2/2022 Zhou D23/356
 D946,729 S * 3/2022 Lu G06F 3/0482
 D23/356
 D948,688 S * 4/2022 Liu D23/356
 D958,957 S * 7/2022 Wen D23/366
 D961,752 S * 8/2022 Bing D23/366
 2010/0132708 A1 * 6/2010 Martin A61M 16/0816
 128/204.21
 2022/0168538 A1 * 6/2022 Liu A61L 9/04

OTHER PUBLICATIONS

[Omron Compressor Nebulizer NE-C106 Nebulizer], ifdesign.com, Posted: 2021 [online], site visited: [Oct. 28, 2022], URL: <<https://ifdesign.com/en/winner-ranking/project/omron-compressor-nebulizer-ne-c106/312321>>. (Year: 2021).*

[Omron Compressor Nebulizer NE-C111 Nebulizer], ifdesign.com, Posted: 2021 [online], site visited: [Oct. 28, 2022], URL: <<https://ifdesign.com/en/winner-ranking/project/omron-compressor-nebulizer-ne-c111/312318>>. (Year: 2021).*

* cited by examiner

FIG. 1

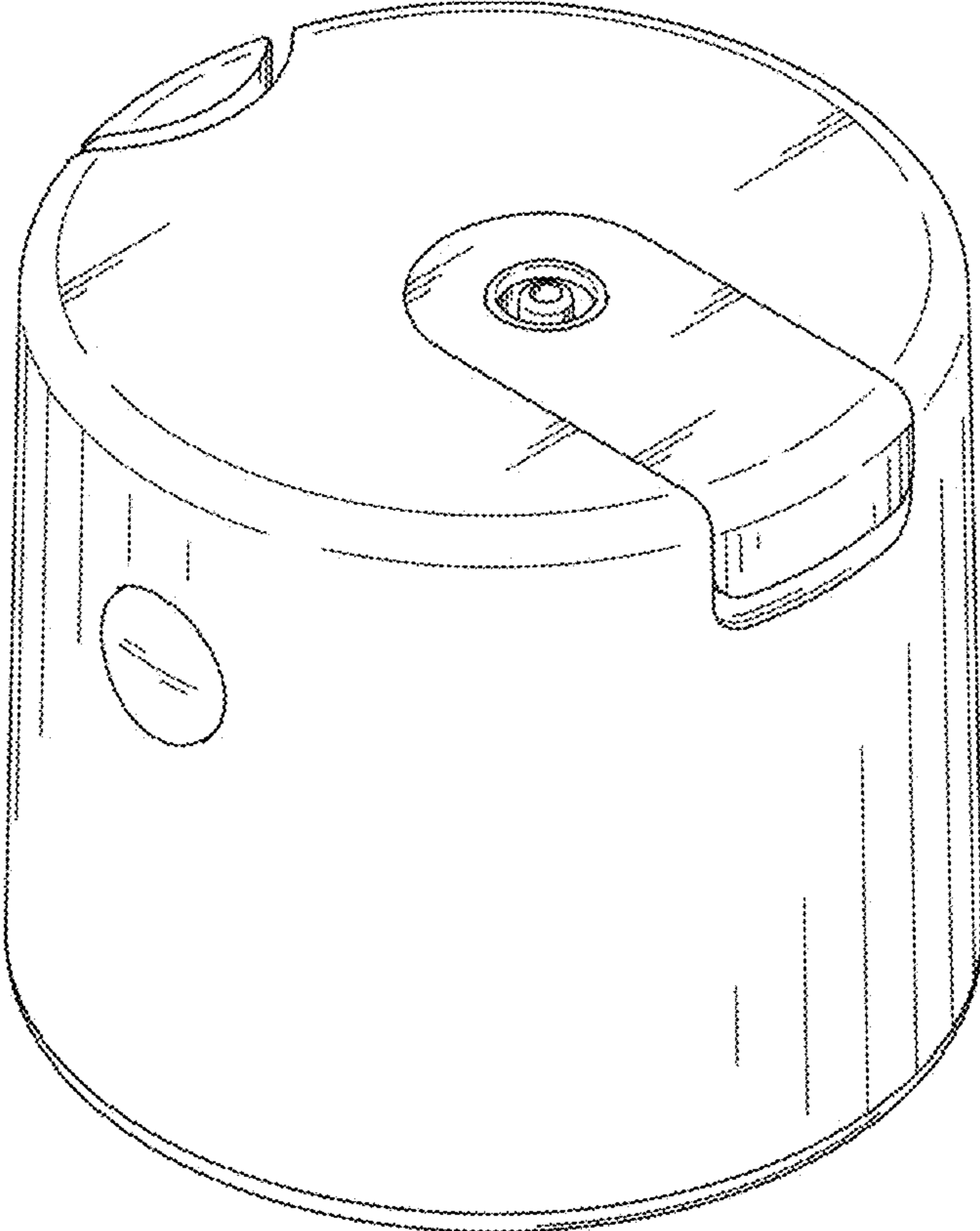


FIG. 2

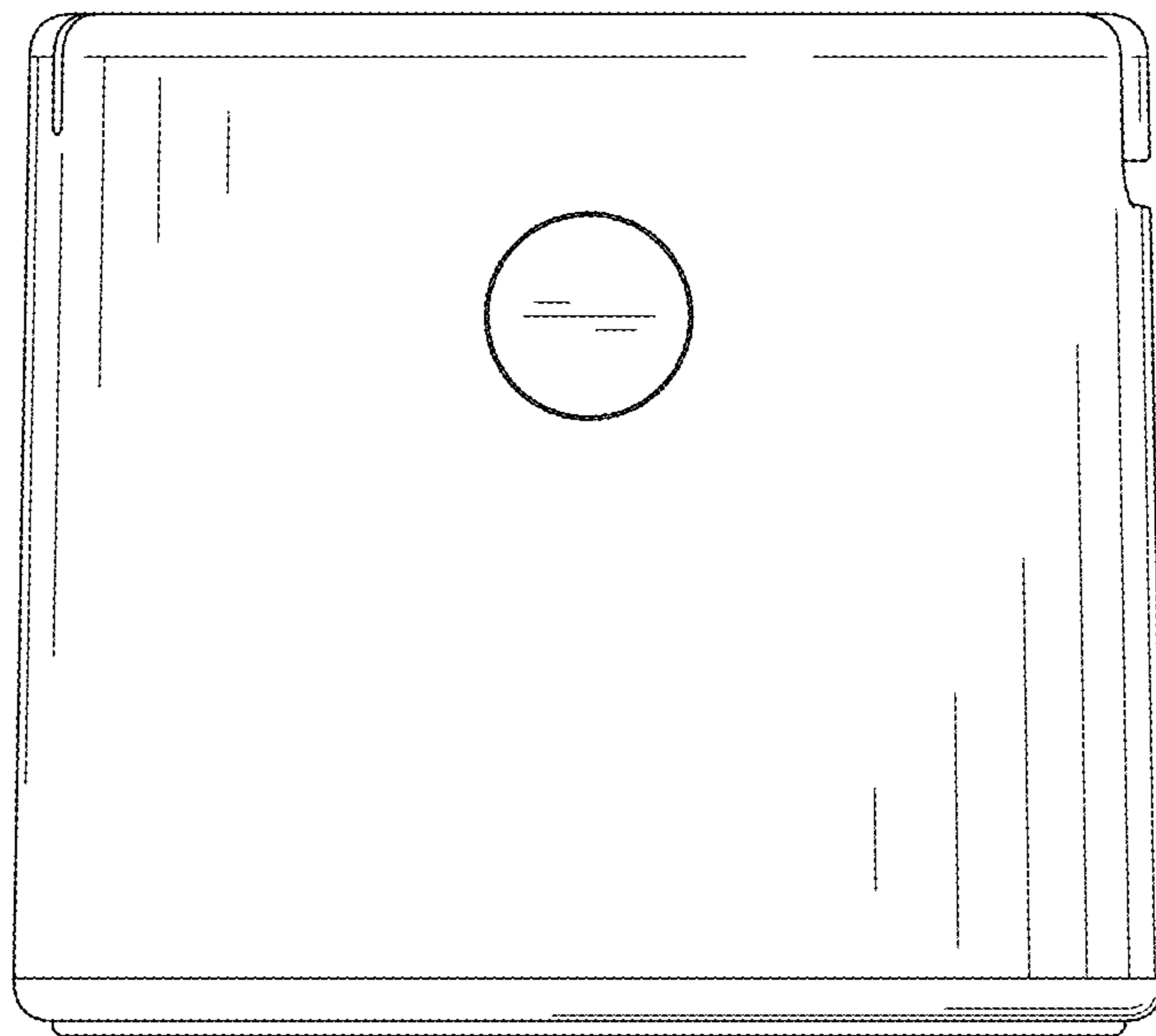


FIG. 3

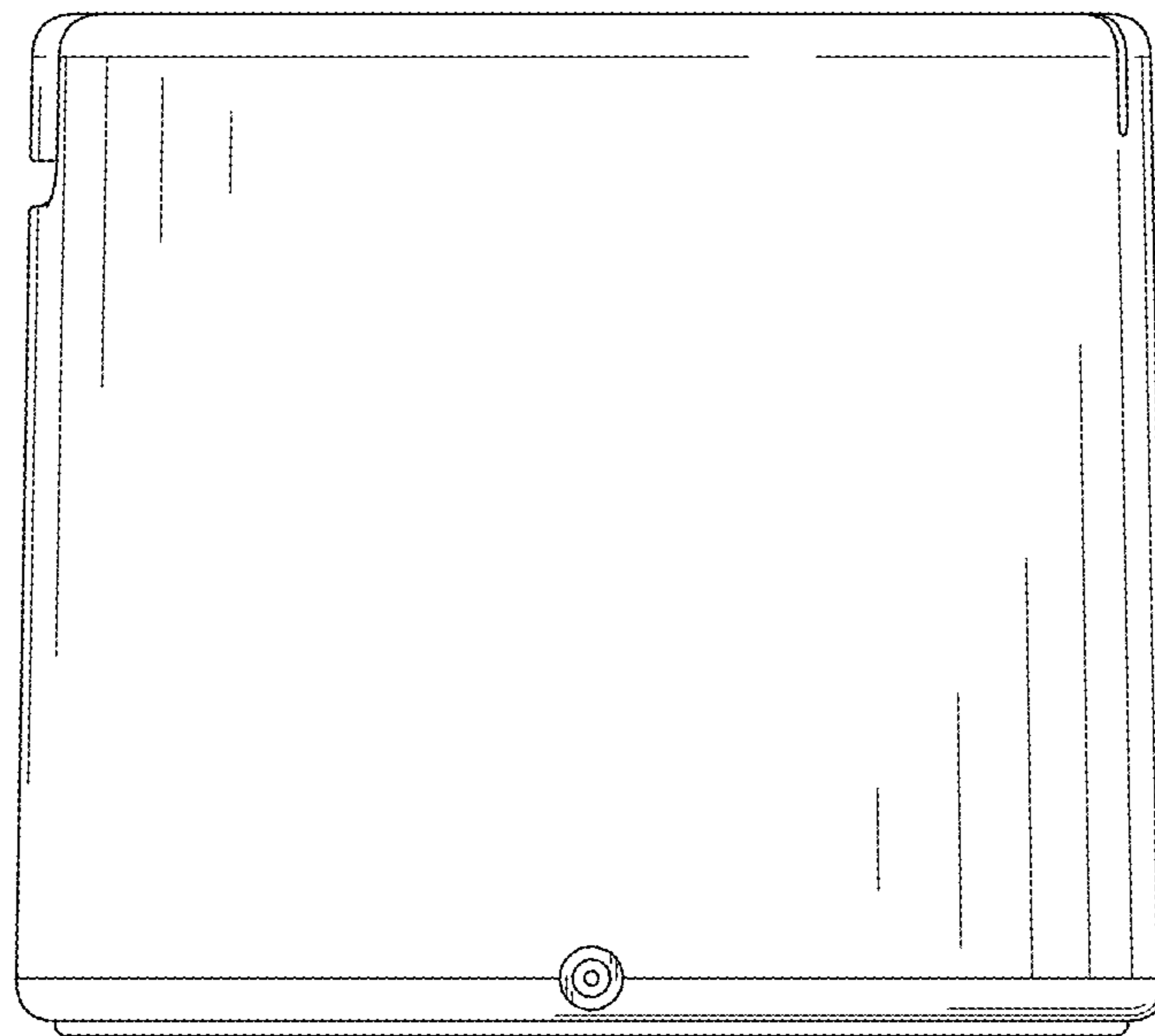


FIG. 4

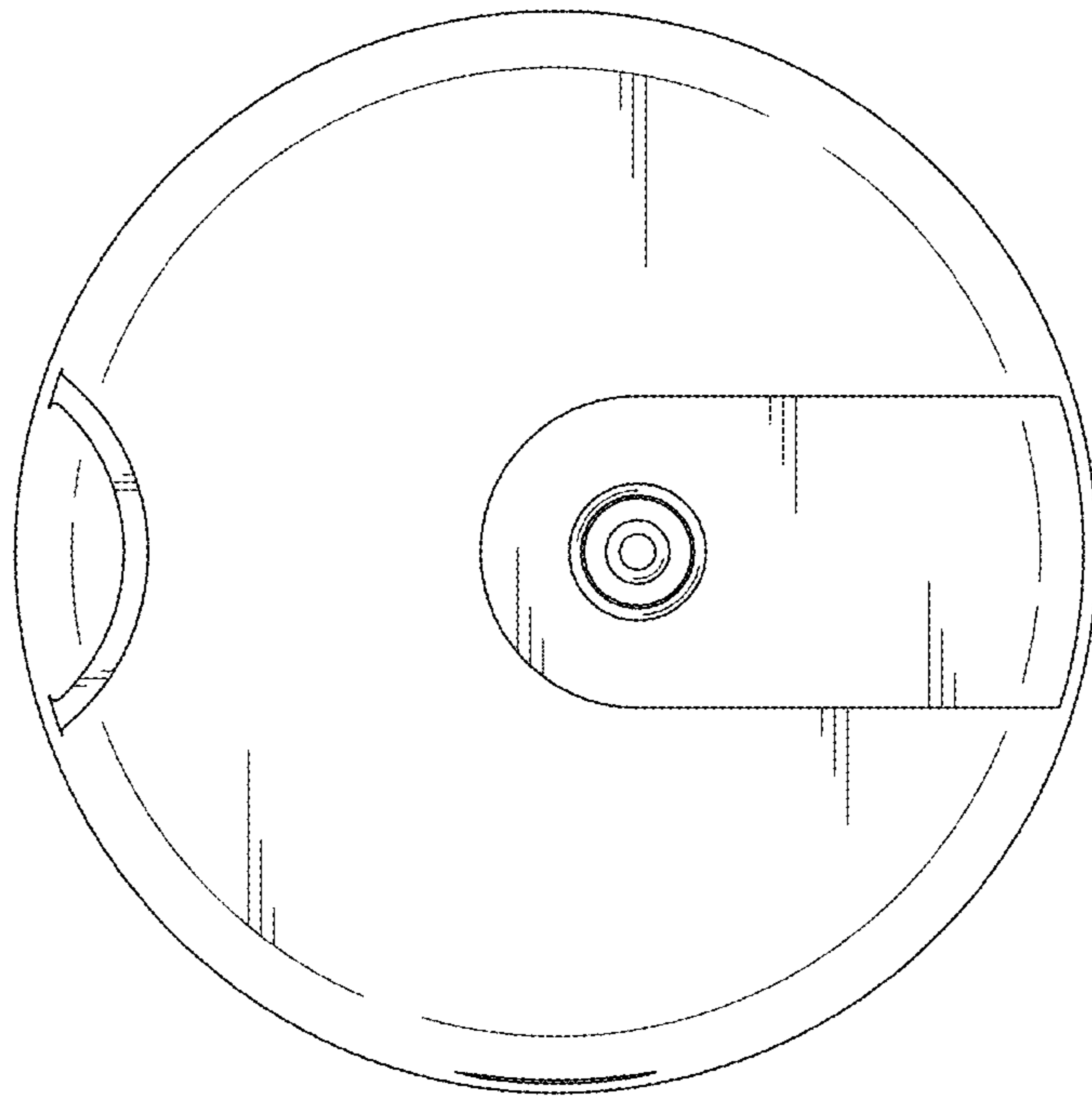


FIG. 5

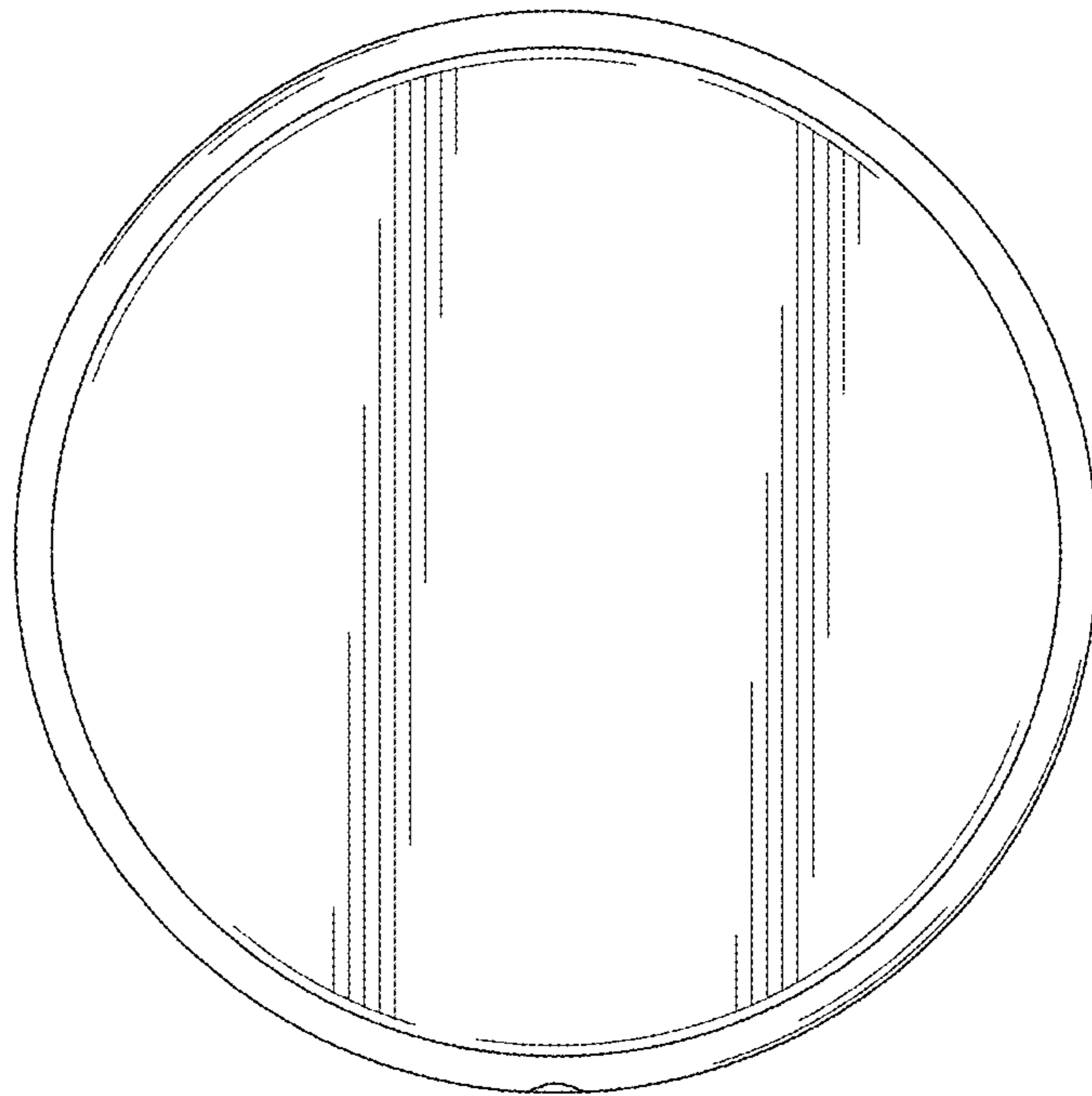


FIG. 6

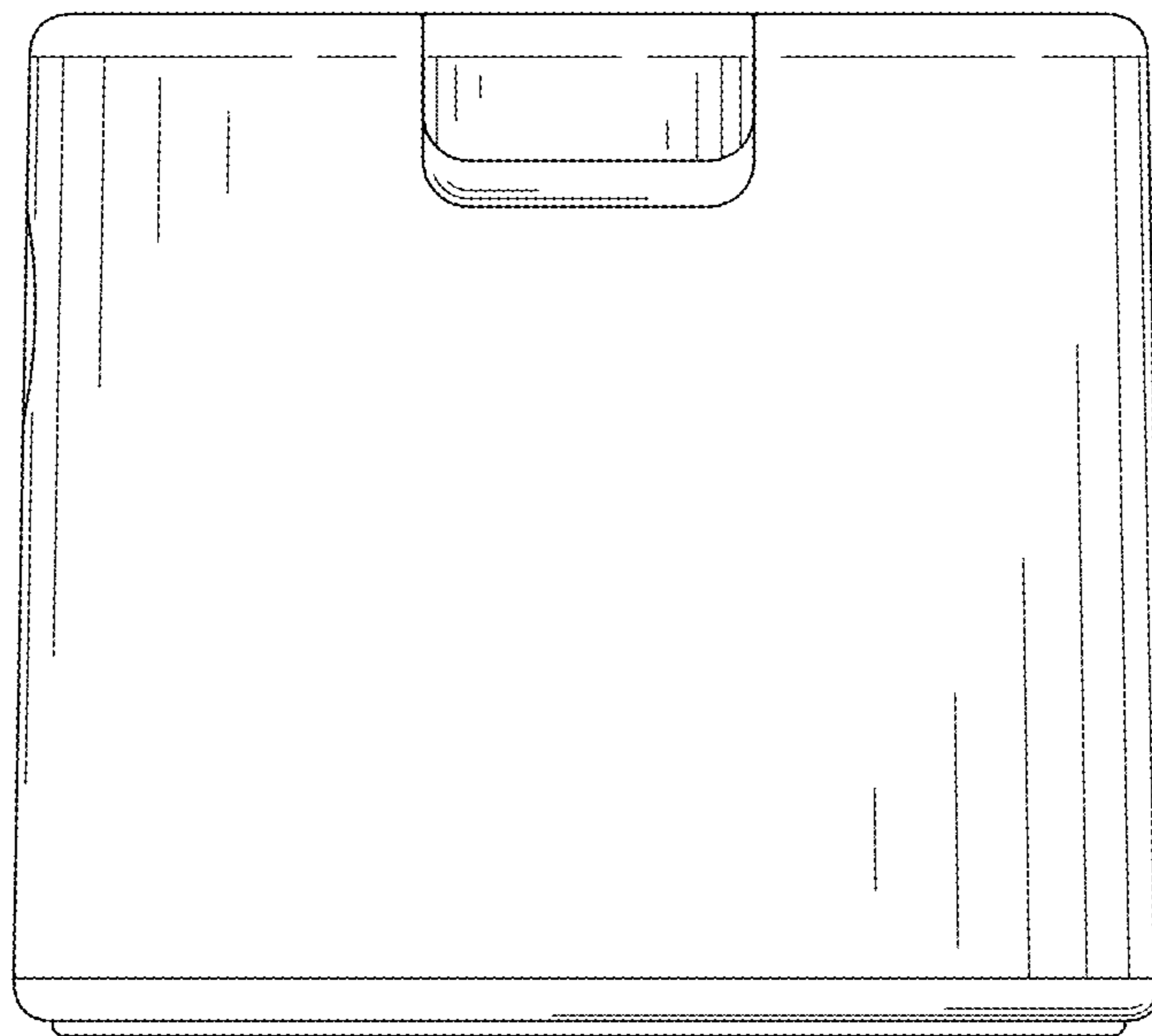


FIG. 7

