



US00D986404S

(12) **United States Design Patent** (10) **Patent No.:** **US D986,404 S**
McRoberts (45) **Date of Patent:** **** May 16, 2023**

- (54) **CEILING FAN**
- (71) Applicant: **Hunter Fan Company**, Memphis, TN (US)
- (72) Inventor: **Claire Bernice McRoberts**, La Jolla, CA (US)
- (73) Assignee: **Hunter Fan Company**, Memphis, TN (US)
- (**) Term: **15 Years**
- (21) Appl. No.: **29/812,234**
- (22) Filed: **Oct. 20, 2021**

D804,011 S	11/2017	Holmes et al.
D804,632 S	12/2017	Holmes
D804,637 S	12/2017	Holmes
D810,912 S	2/2018	McRoberts
D810,921 S	2/2018	McRoberts
D827,806 S	9/2018	Biancuzzo
D875,980 S	2/2020	Patrick
D885,552 S	5/2020	Holmes
D890,398 S	7/2020	Holmes
D894,457 S	8/2020	McRoberts
D934,484 S *	10/2021	Ou D26/80
D936,815 S *	11/2021	McRoberts D23/377

(Continued)

Related U.S. Application Data

- (63) Continuation of application No. 29/710,565, filed on Oct. 24, 2019, now Pat. No. Des. 936,815.
- (51) **LOC (14) Cl.** **23-04**
- (52) **U.S. Cl.**
USPC **D23/377**
- (58) **Field of Classification Search**
USPC D23/370, 377, 379, 385, 411; D26/13, D26/37-38, 40, 59, 70, 80-82, 84, 86, D26/102, 111, 142-145
CPC F04D 25/088; F04D 29/38; F04D 29/384; F04D 29/386; F21V 33/0096; F21V 3/061; F21V 3/0615; F21S 8/043
See application file for complete search history.

References Cited

U.S. PATENT DOCUMENTS

D344,794 S	3/1994	Galler
5,971,573 A	10/1999	Bucher et al.
D483,463 S	12/2003	Tai
D486,215 S	2/2004	Hsieh
D535,421 S	1/2007	Pickett
D632,382 S	2/2011	Pan
D671,631 S *	11/2012	Searle D23/411

OTHER PUBLICATIONS

<https://www.homedepot.com/p/Hunter-Crown-Canyon-52-in-Indoor-Regal-Bronze-Ceiling-Fan-53331/206775554>, Hunter Fan, Crown Canyon 52 in. Indoor Regal Bronze ceiling fan, Model No. 53331, accessed May 1, 2019.

(Continued)

Primary Examiner — Sharon S Oum

(74) *Attorney, Agent, or Firm* — McGarry Bair PC

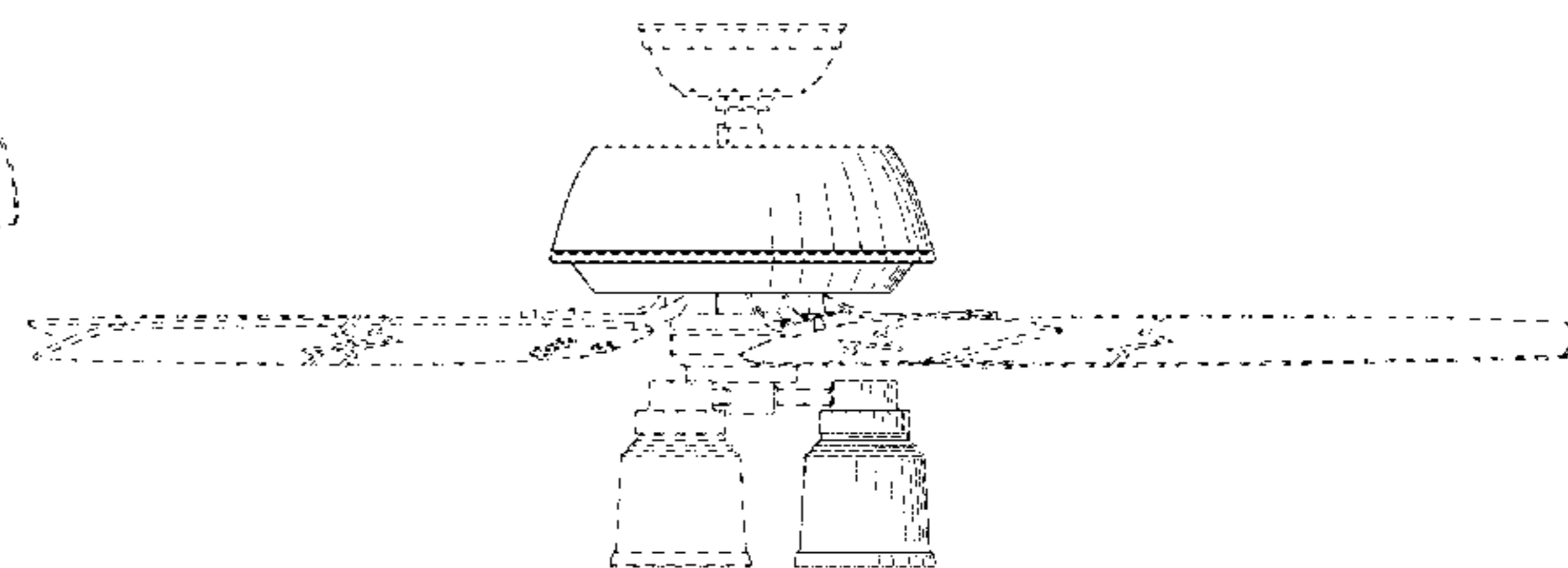
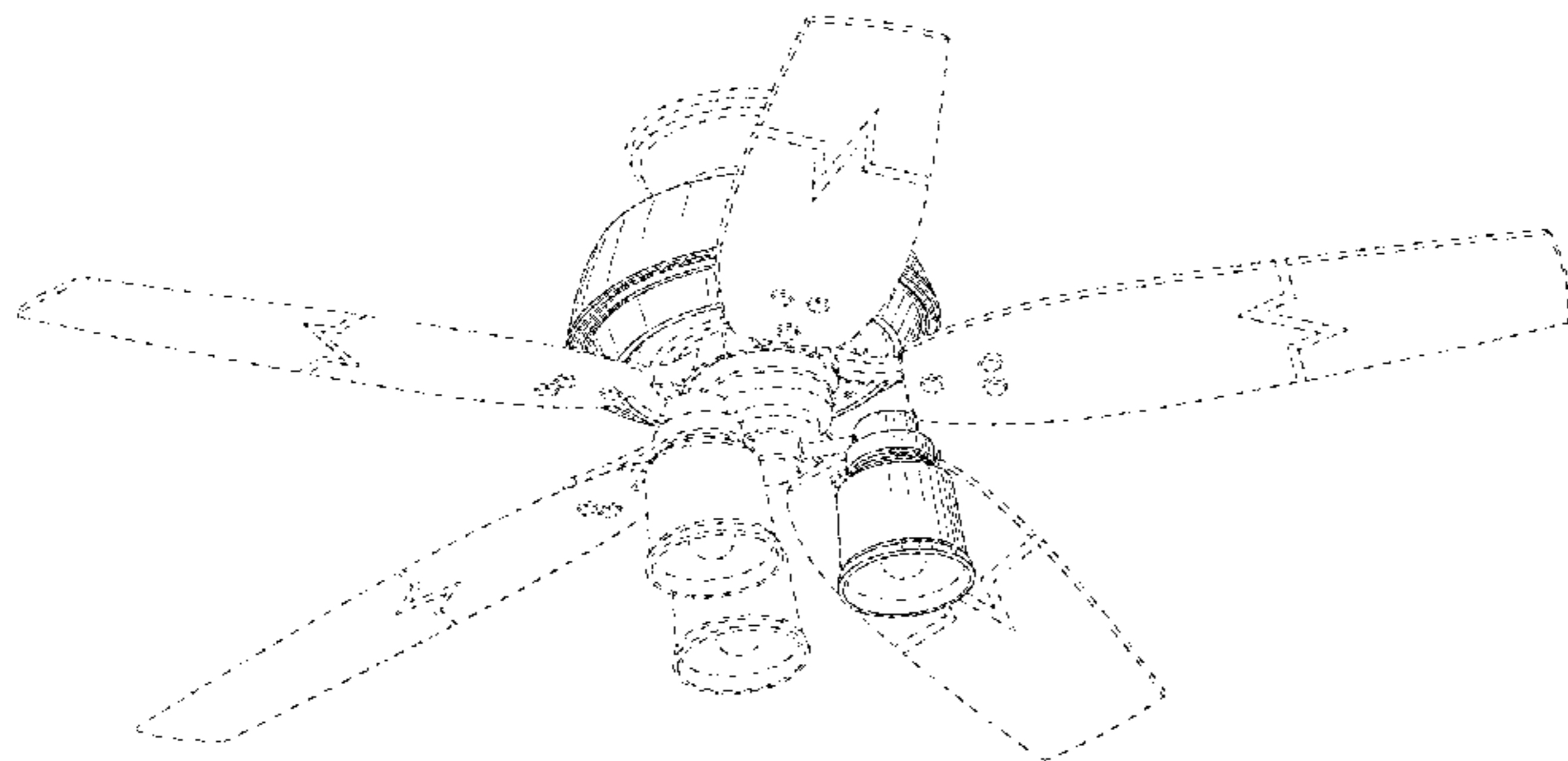
(57) **CLAIM**

The ornamental design for a ceiling fan, as shown and described.

DESCRIPTION

FIG. 1 is a top perspective view of a ceiling fan, showing my new design;
 FIG. 2 is a bottom perspective view thereof;
 FIG. 3 is a top view thereof;
 FIG. 4 is a bottom view thereof;
 FIG. 5 is a right side view thereof;
 FIG. 6 is a left side view thereof;
 FIG. 7 is a rear view thereof; and,
 FIG. 8 is a front view thereof.
 Portions of the ceiling fan shown in broken lines form no part of the claimed design.

1 Claim, 8 Drawing Sheets



(56)

References Cited

U.S. PATENT DOCUMENTS

D949,316 S	*	4/2022	Eiffert	D23/377
D952,119 S	*	5/2022	McRoberts	D23/377
D959,718 S	*	8/2022	McRoberts	D26/144
D962,525 S	*	8/2022	Lin	D26/86
D966,488 S	*	10/2022	McRoberts	D23/377
D966,489 S	*	10/2022	McRoberts	D23/377
D966,492 S	*	10/2022	McRoberts	D23/411

OTHER PUBLICATIONS

<https://www.homedepot.com/p/Hunter-Bennett-52-in-LED-Indoor-Brushed-Nickel-Ceiling-Fan-with-3-Light-Kit-and-Handheld-Remote-Control-54190/304124171>, Hunter Fan, Bennett 52 in. Indoor Brushed Nickel Ceiling Fan with 3-Light Kit and Handheld Remote Control, Model No. 54190, accessed May 1, 2019.

<https://www.homedepot.com/p/Hunter-Devon-Park-52-in-Indoor-Onyx-Bengal-Ceiling-Fan-with-Light-Kit-and-Handheld-Remote-Control-54201/306564188>, Hunter Fan, Devon Park 52" Indoor Onyx Bengal ceiling fan with light kit and handheld Remote Control, Model No. 54201, accessed May 3, 2019.

<https://www.homedepot.com/p/Hunter-Donagan-52-in-LED-Indoor-Brushed-Nickel-Ceiling-Fan-with-3-Light-53338/207198162>, Hunter Fan, Donagan 52 in LED Indoor Brushed Nickel Ceiling Fan with 3-Light, Model No. 53338, accessed May 1, 2019.

<https://www.menards.com/main/lighting-ceiling-fans/ceiling-fans/indoor-ceiling-fans/lighting-ceiling-fans/ceiling-fans/indoor-ceiling-fans/lighting-ceiling-fans/ceiling-fans/indoor-ceiling-fans/turn-of-the-century-reg-lichfield-matte-black-vintage-indoor-ceiling-fan/20509/p-1444433460068-c-7488.htm?tid=1397564312031035783&ipos=40>, Turn of the Century, Litchfield 52" Matte Black Vintage Indoor Ceiling Fan, Model No. 20509, accessed May 1, 2019.

<https://www.homedepot.com/p/Hunter-Reveille-60-in-LED-Indoor-Noble-Bronze-Ceiling-Fan-with-Light-and-Remote-54173/301986859>, Hunter Fan, Reveille 60 in. Indoor Noble Bronze Ceiling Fan with Light and Remote, Model No. 54173, accessed May 1, 2019.

<https://www.homedepot.com/p/Casablanca-Durant-44-in-Indoor-Brushed-Nickel-Ceiling-Fan-with-Light-Kit-53187/300030823>, Casablanca, Durant 44 in. Indoor Brushed Nickel ceiling fan with Light Kit, Model No. 53187, accessed May 1, 2019.

<https://www.lowes.com/pd/Harbor-Breeze-Centreville-42-in-Oil-rubbed-Bronze-LED-Indoor-Flush-Mount-Ceiling-Fan-with-Light-Kit-5-blade/1000195075>, Harbor Breeze, Centreville 42 in. Oil-rubbed Bronze LED Indoor Flush Mount ceiling fan with Light Kit (5-blade), accessed May 1, 2019.

<https://www.homedepot.com/p/Hampton-Bay-Luxenberg-36-in-LED-Brushed-Nickel-Ceiling-Fan-91136/304264266>, Hampton Bay, Luxenberg 36" LED Brushed Nickel Ceiling Fan, Model No. 91136, accessed May 1, 2019.

<https://www.homedepot.com/p/Hampton-Bay-Oakley-52-in-Indoor-Oil-Brushed-Bronze-Ceiling-Fan-with-Light-Kit-AC413A-OBB/204062212>, Hampton Bay, Oakley 52 in. Indoor Oil-Brushed Bronze Ceiling Fan with Light Kit, Model No. AC413A-ORB, accessed May 1, 2019.

<https://www.fanimation.com/products/index.php/fans/aire-deluxe-52.html>, Fanimation, 52 in. Aire Deluxe Ceiling Fan, Model No. FP6284, accessed Apr. 29, 2019.

<http://www.montecarlofans.com/33304/52-Light-Cast-Max-5LCM52RB.html>, Monte Carlo, 52" Light Cast Max, Roman Breeze Ceiling Fan, Model No. 5LCM52RB, accessed Apr. 29, 2019.

http://www.quoruminternational.com/search_individual_result.asp?current=958303&page=1, Quorum International, Apex 56" Ceiling Fan, Black, Item No. 90565-69, accessed Apr. 29, 2019.

* cited by examiner

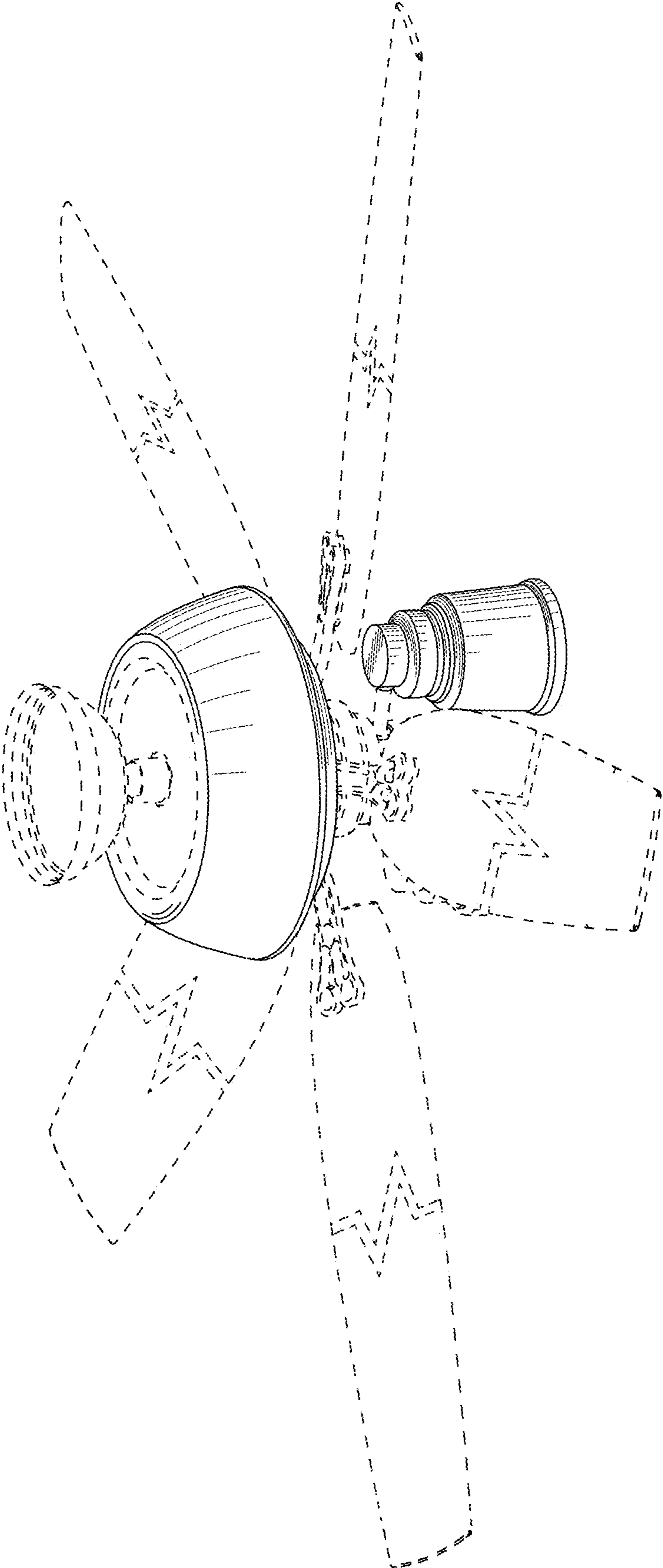


FIG. 1

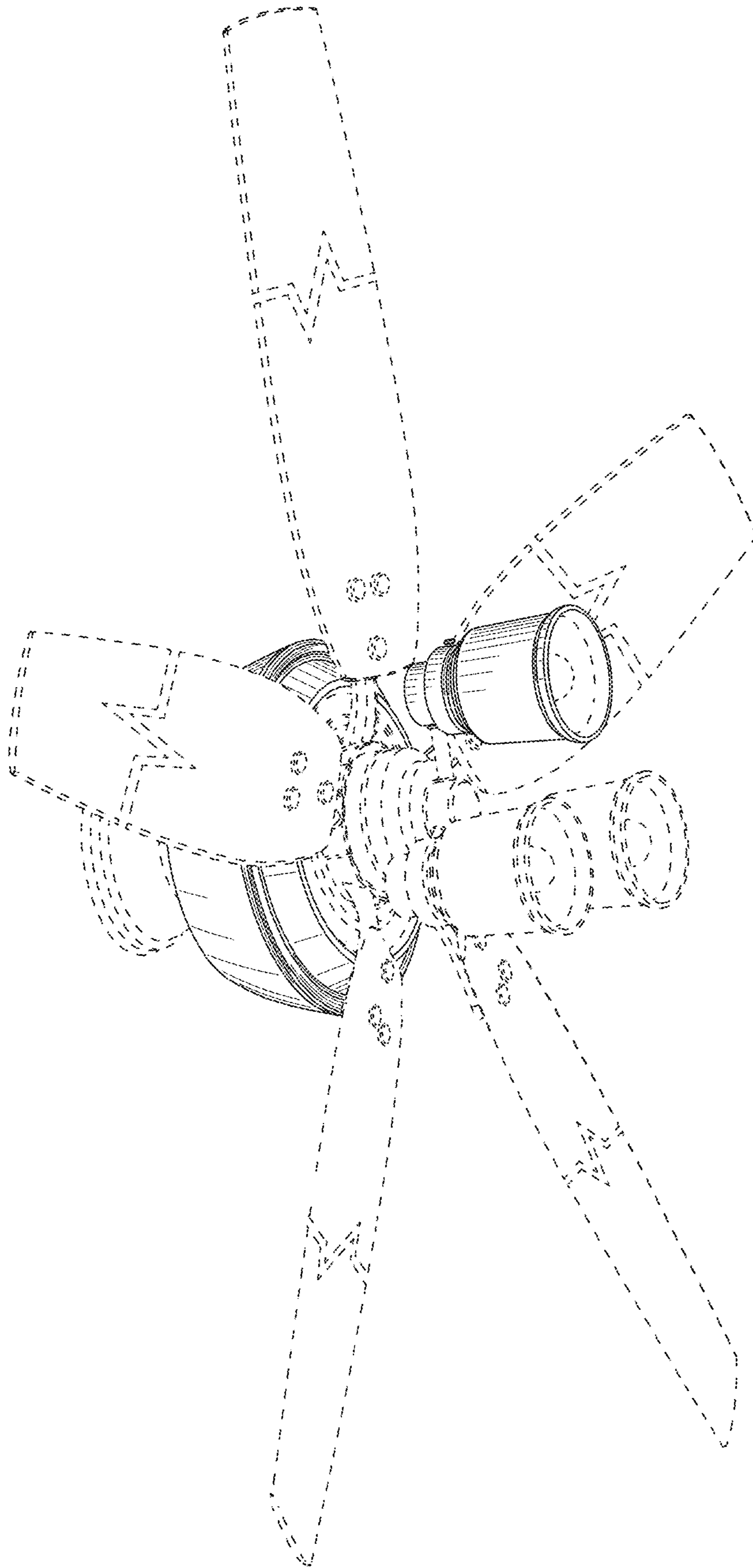


FIG. 2

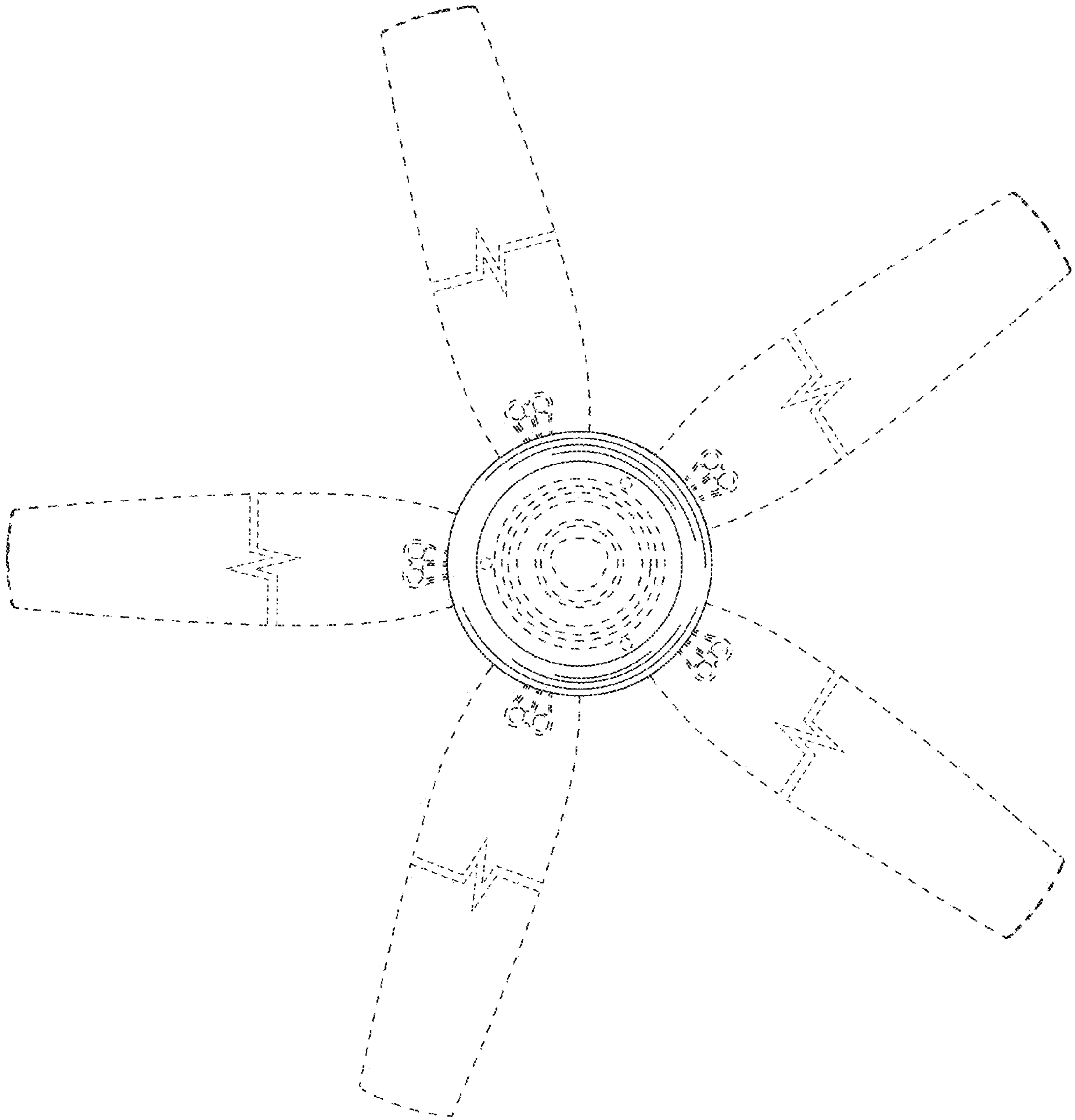


FIG. 3

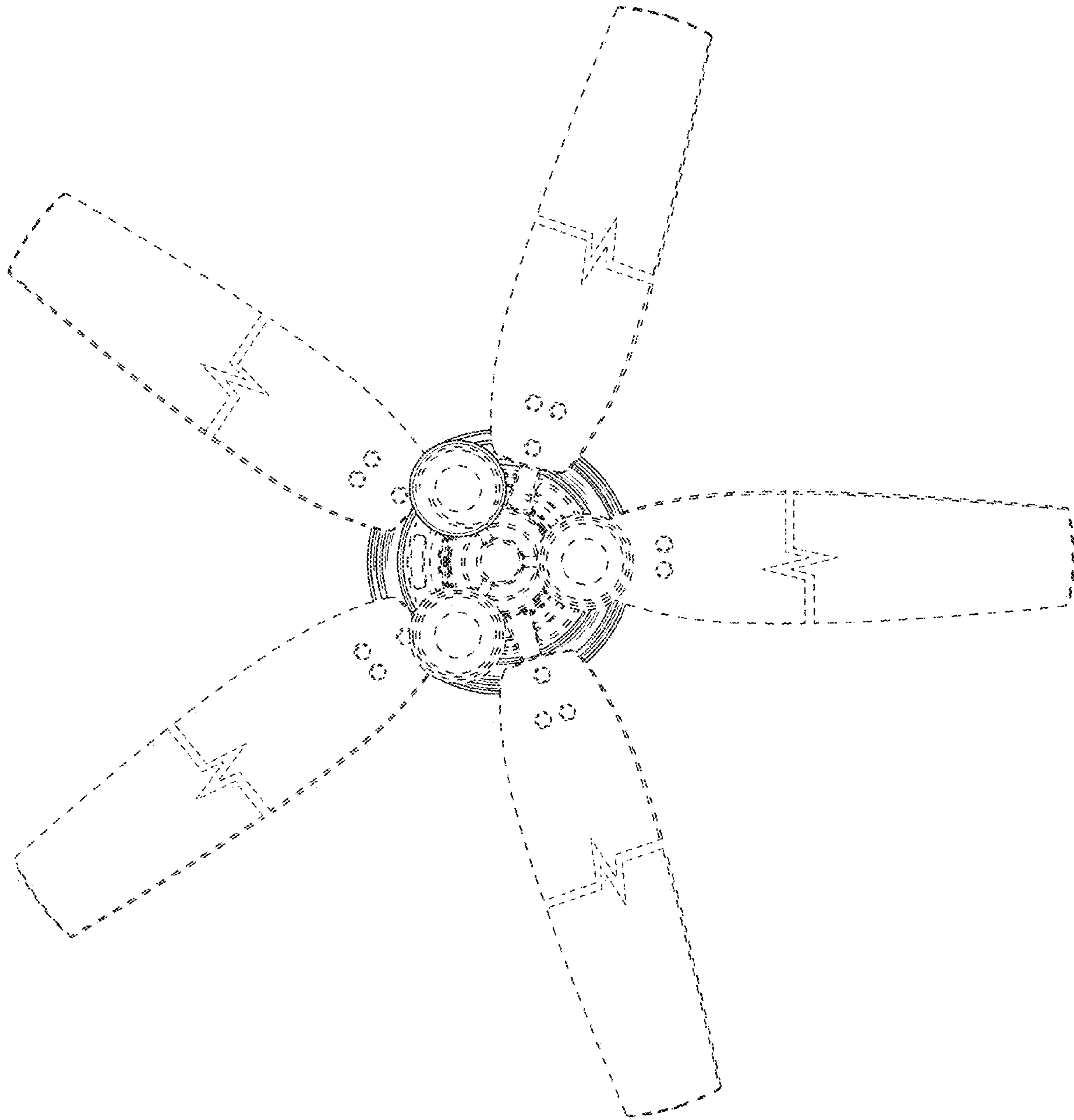


FIG. 4

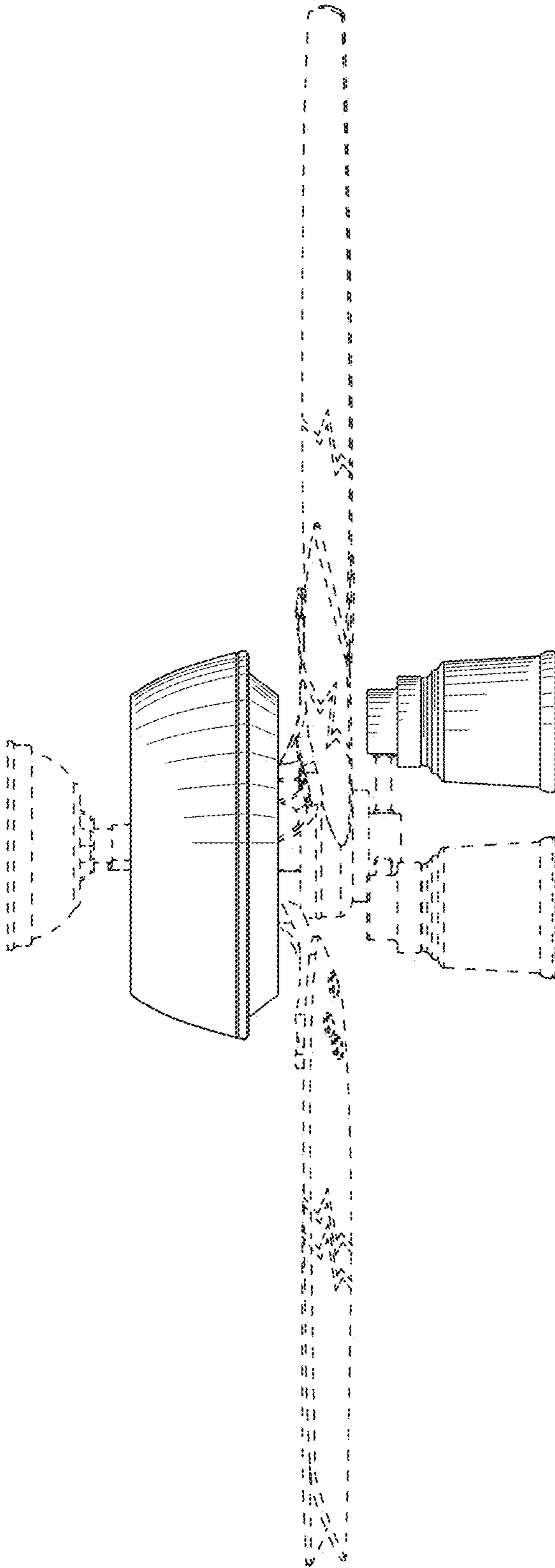


FIG. 5

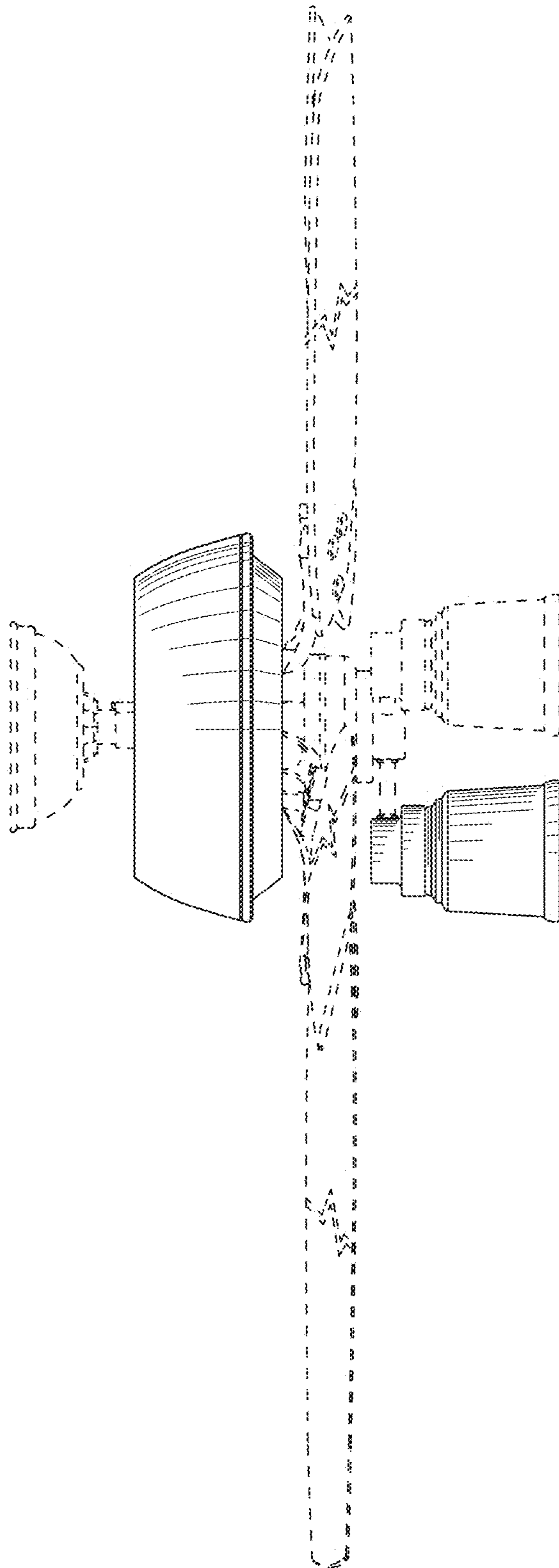


FIG. 6

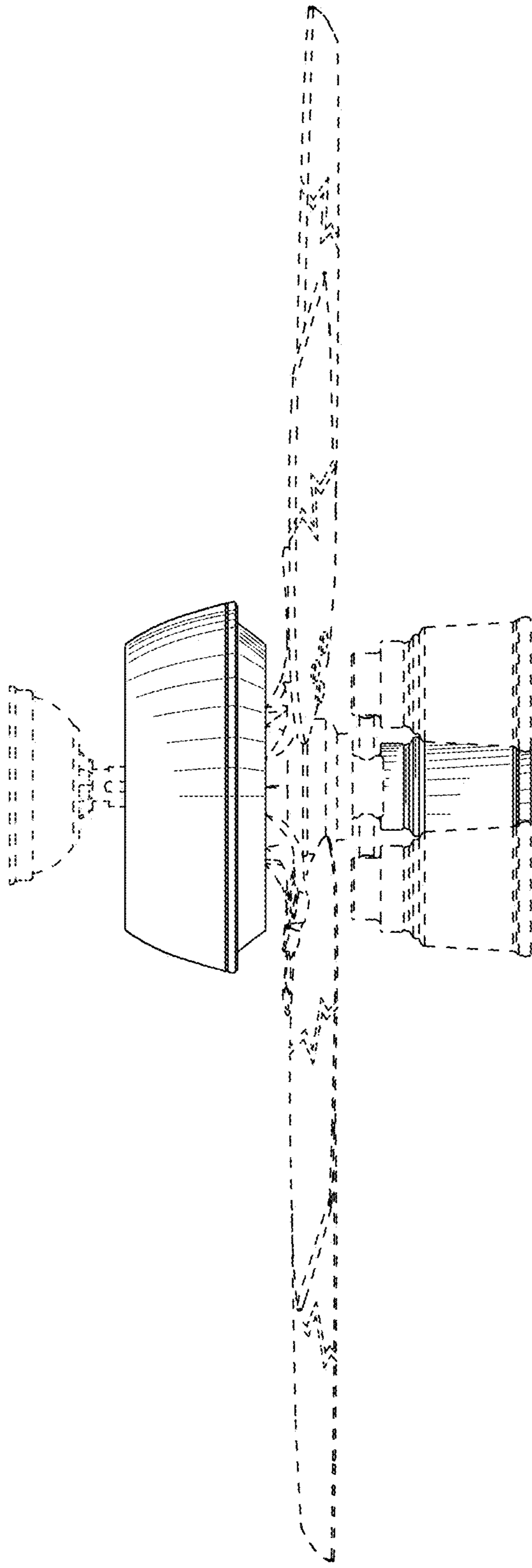


FIG. 7

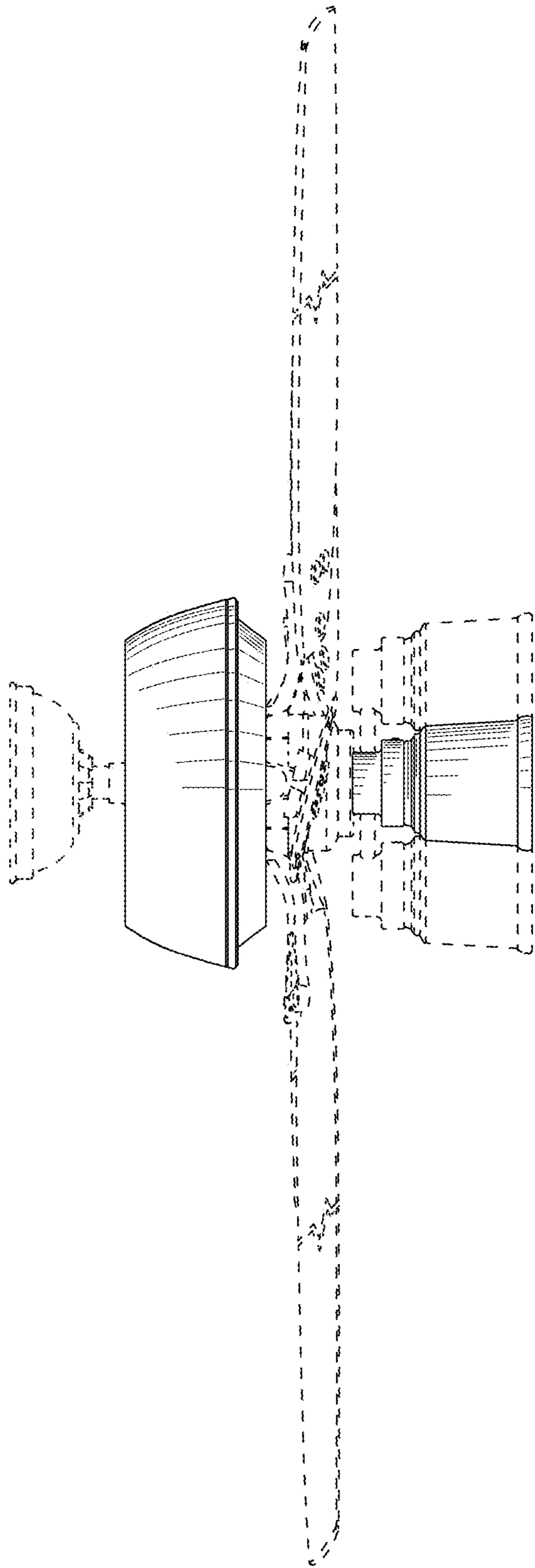


FIG. 8