



US00D986402S

(12) **United States Design Patent** (10) **Patent No.:** **US D986,402 S**
Xu (45) **Date of Patent:** **** May 16, 2023**

(54) **MISTING FAN**
(71) Applicant: **Tongdi Xu**, Shenzhen (CN)
(72) Inventor: **Tongdi Xu**, Shenzhen (CN)
(73) Assignee: **Shenzhen Pioneer Technology co., Ltd**, Shenzhen (CN)

D616,080 S * 5/2010 Ching D23/332
D691,250 S * 10/2013 Chan D23/332
D838,824 S * 1/2019 Sun D23/364
D849,220 S * 5/2019 Fang D23/351
D852,340 S * 6/2019 Barlettano F24F 1/02
D23/333
D884,131 S * 5/2020 Zhu D23/335
D964,530 S * 9/2022 Xu D23/370
D972,104 S * 12/2022 Wu D23/366

(**) Term: **15 Years**
(21) Appl. No.: **29/761,560**
(22) Filed: **Dec. 10, 2020**

OTHER PUBLICATIONS

Zuukoo Portable Air Conditioner, posted on [Apr. 28, 2021] [online],
retrieved [Feb. 3, 2023]. Retrieved from internet, <https://www.amazon.com/Portable-Conditioner-Evaporative-Rechargeble-Adjustable/dp/B093Q5XVVP> (Year: 2021).*
Portable Air Conditioners, posted on [May 26, 2021] [online],
retrieved [Feb. 3, 2023]. Retrieved from internet, <https://www.amazon.com/Portable-Conditioners-Persona-Conditioner-Bedroom/dp/B08YMWKWKT> (Year: 2021).*

(30) **Foreign Application Priority Data**
Oct. 30, 2020 (CN) 202030652230.2
(51) **LOC (14) Cl.** **23-04**
(52) **U.S. Cl.**
USPC **D23/333; D23/370**
(58) **Field of Classification Search**
USPC D23/332, 333, 335-337, 352, 370, 377,
D23/378, 380-382, 276, 277, 278,
D23/280.1-280.3, 360, 362; D24/110,
D24/201-205, 213
CPC .. A61H 33/06; A61H 33/066; A61H 33/6005;
A61H 33/6021; A61H 33/6089; A61H
33/6094; A61H 2035/004; A61H 35/006;
F04D 29/522; F04D 25/08; F24F
2203/00; F24F 2221/00; F24F 13/00;
F24F 7/00
See application file for complete search history.

* cited by examiner

Primary Examiner — Sharon S Oum
Assistant Examiner — Dasia Keanna Gregg

(57) **CLAIM**

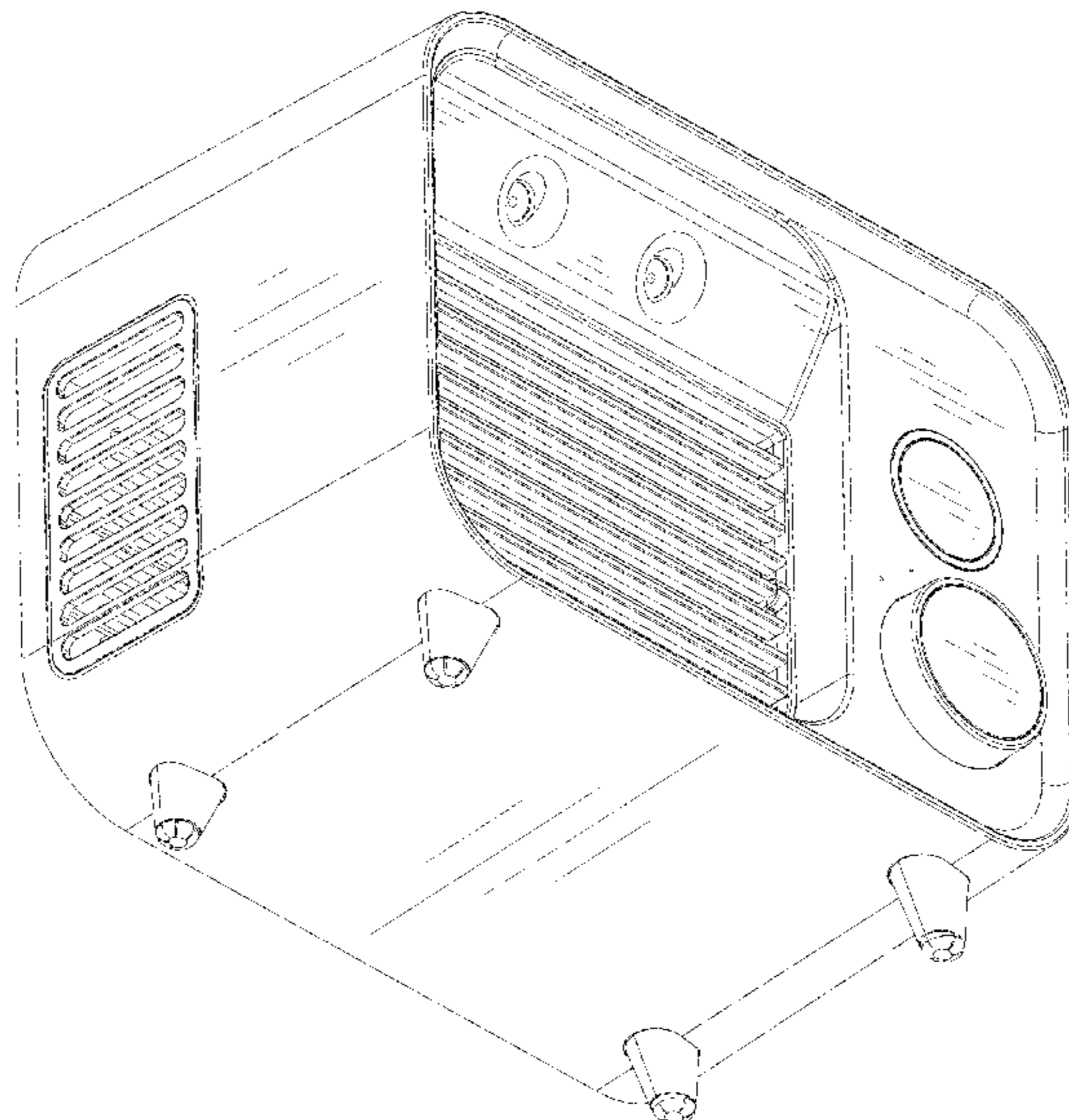
The ornamental design for a misting fan, as shown and described.

DESCRIPTION

FIG. 1 is a front, bottom perspective view of a misting fan showing my new design;
FIG. 2 is a rear, top perspective view thereof;
FIG. 3 is a front elevational view thereof;
FIG. 4 is a rear elevational view thereof;
FIG. 5 is a left side elevational view thereof;
FIG. 6 is a right side elevational view thereof;
FIG. 7 is a top plan view thereof; and,
FIG. 8 is a bottom plan view thereof.

(56) **References Cited**
U.S. PATENT DOCUMENTS
D289,794 S * 5/1987 Yabe D23/335
D313,069 S * 12/1990 McCormick D23/335
D316,446 S * 4/1991 Lee D23/335
D361,828 S * 8/1995 Chen D23/335
D371,833 S * 7/1996 Jane D23/335

1 Claim, 8 Drawing Sheets



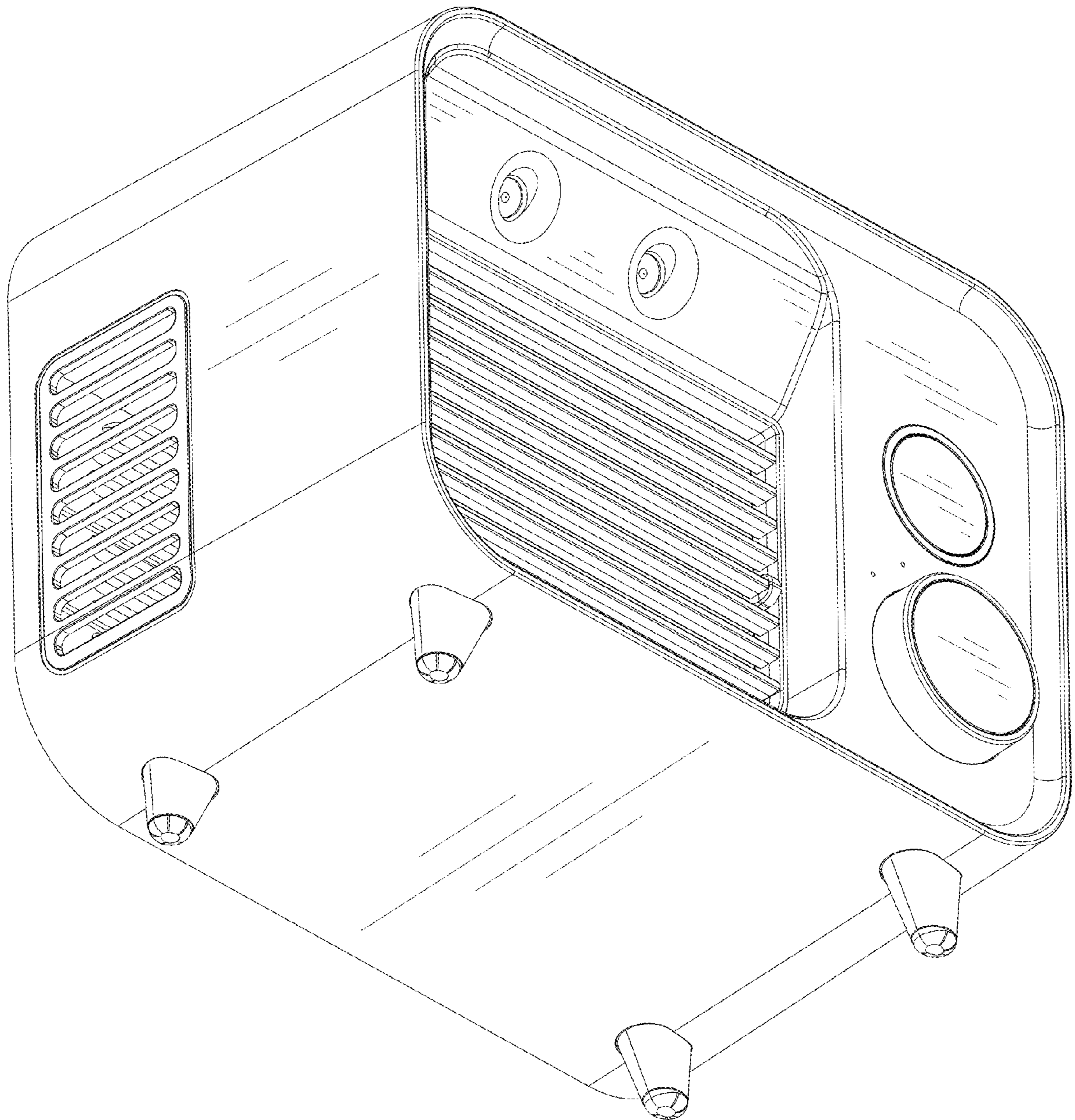


FIG. 1

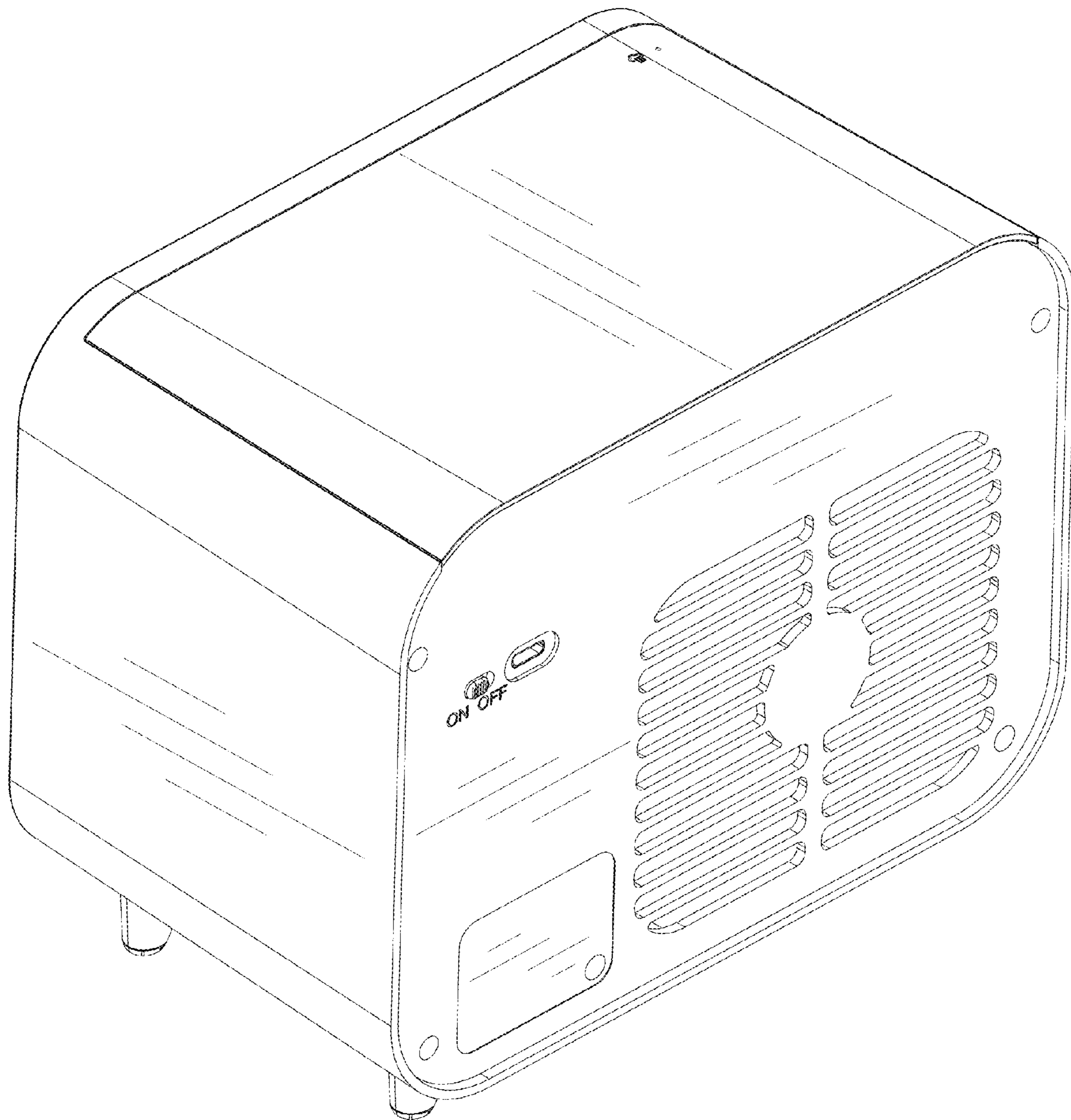


FIG. 2

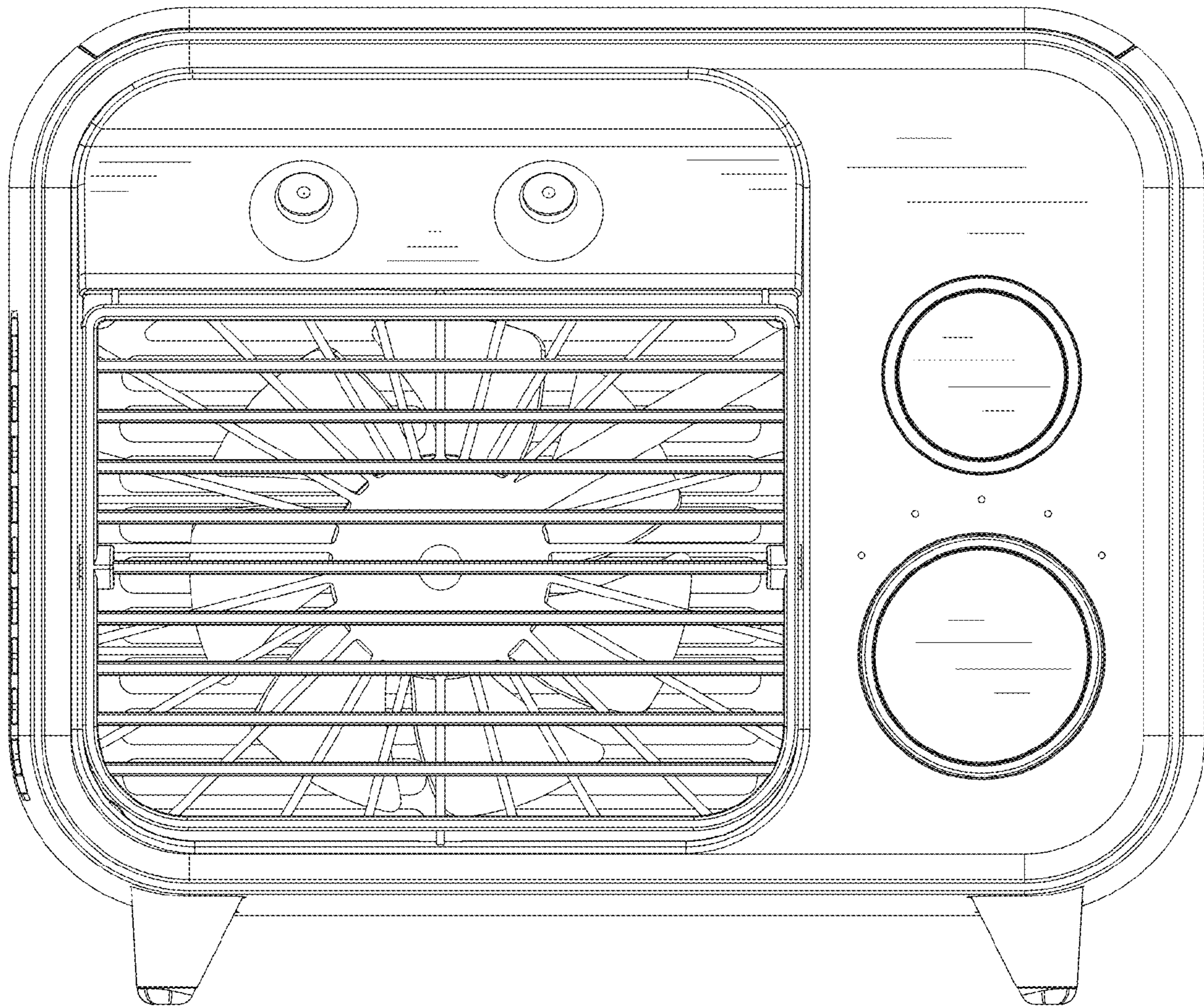


FIG. 3

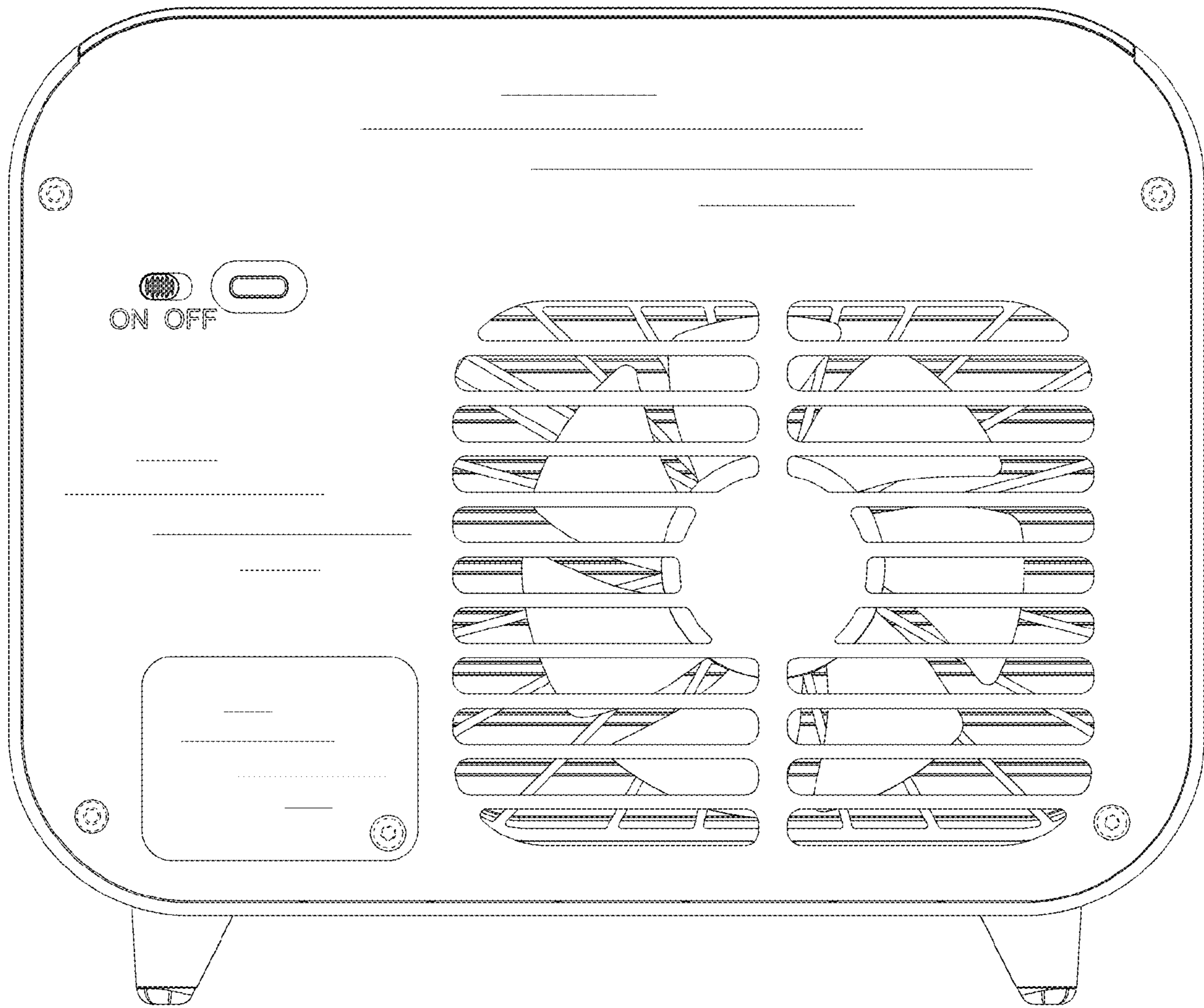


FIG. 4

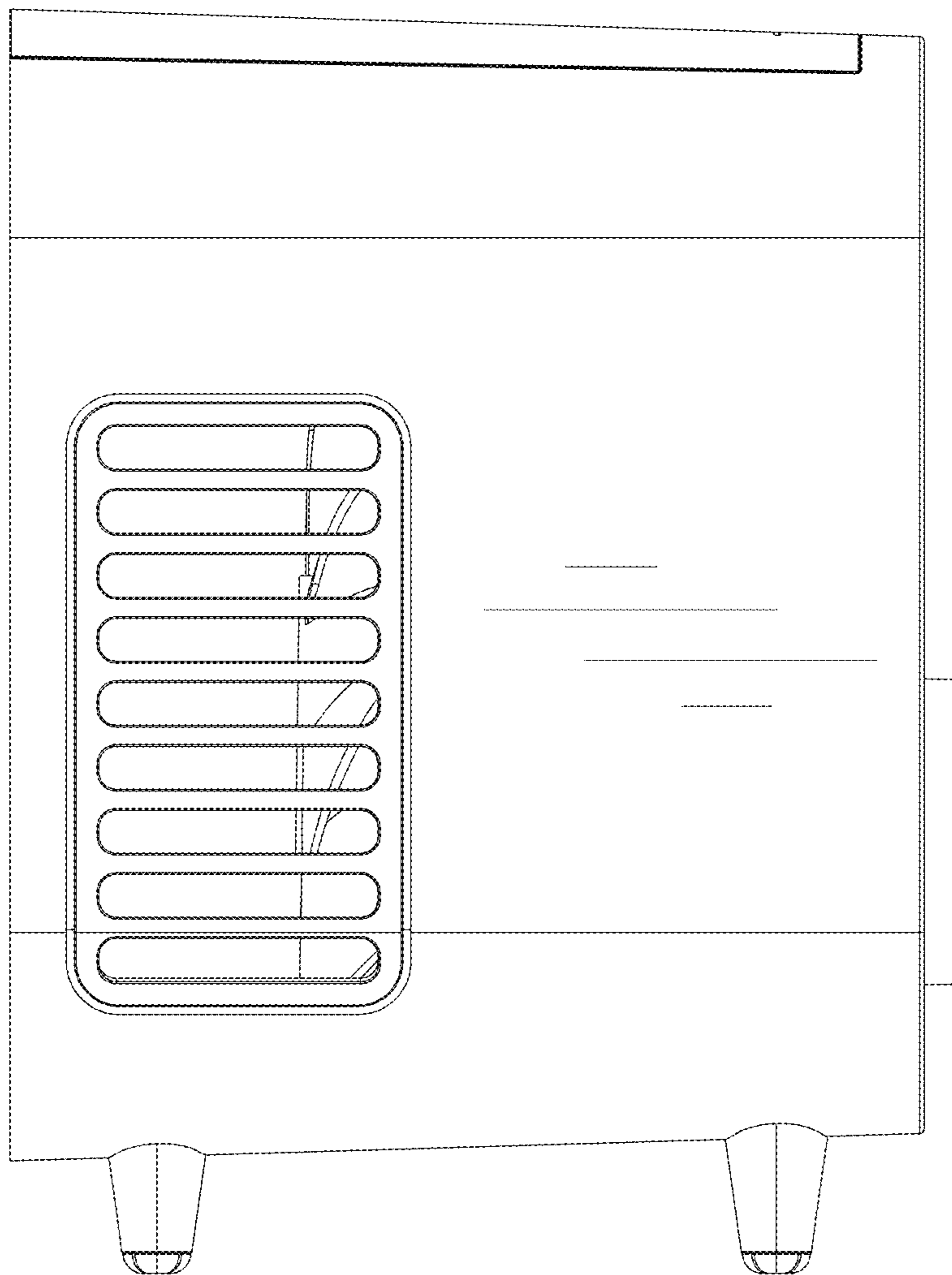


FIG. 5

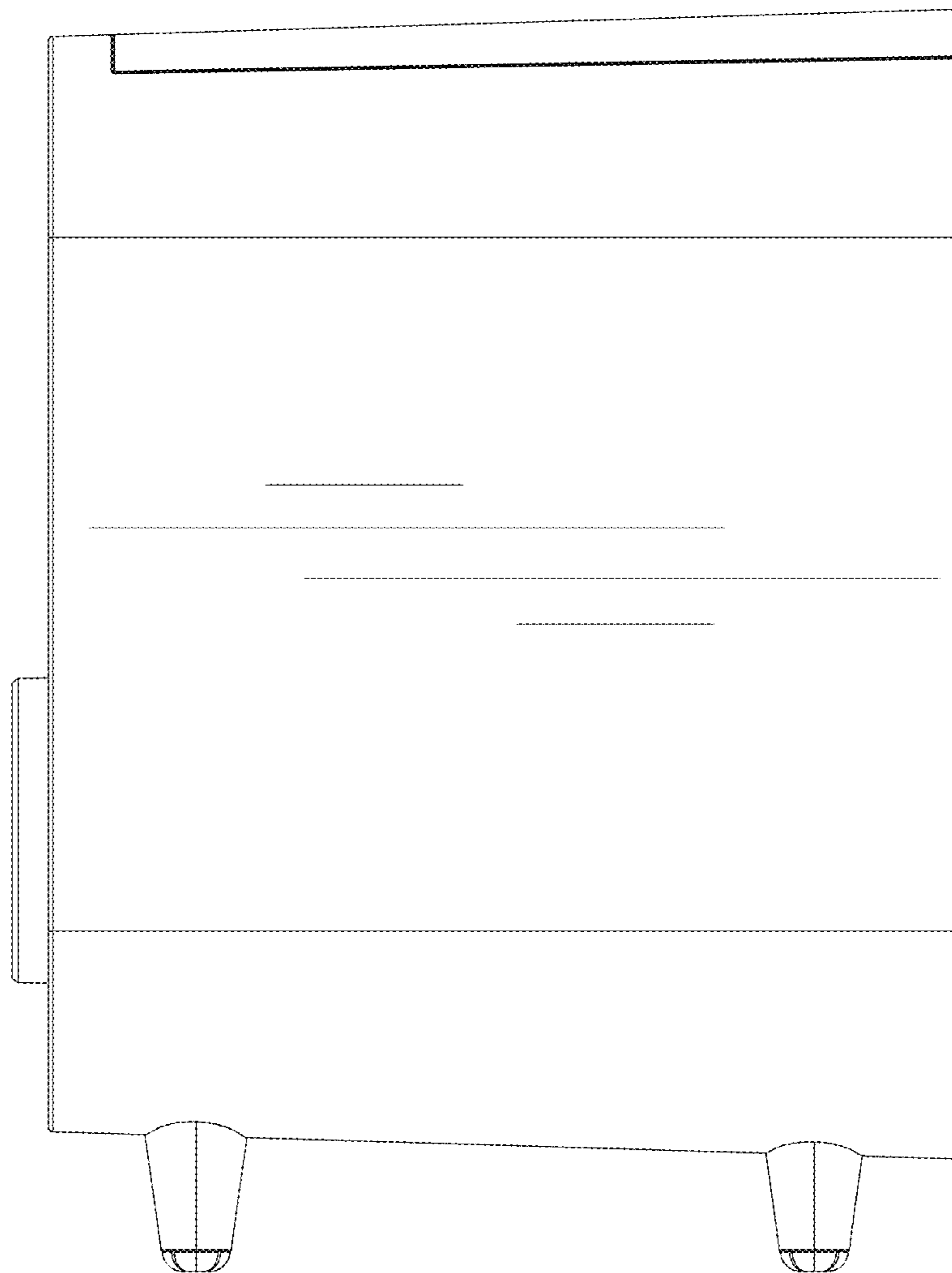


FIG. 6

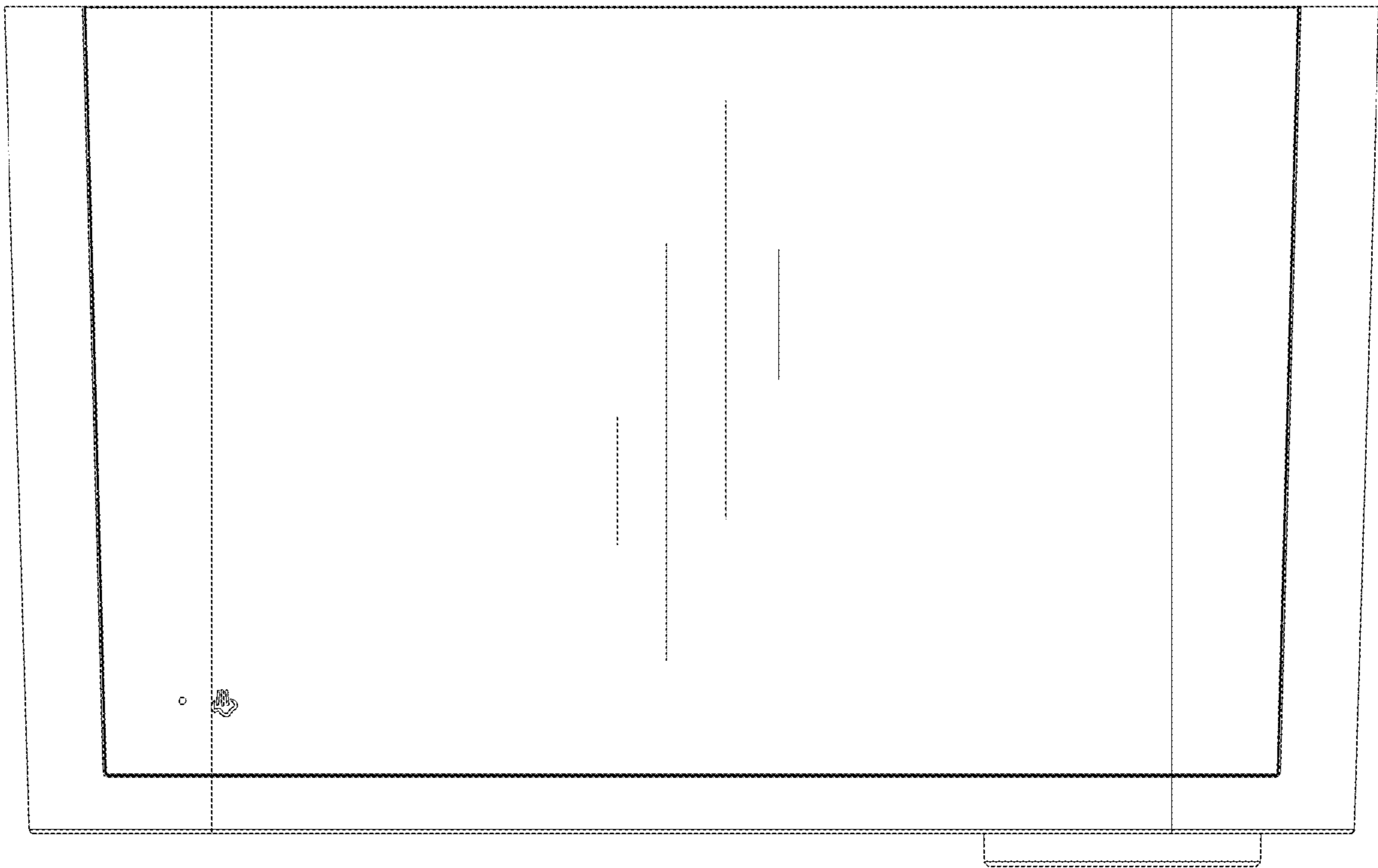


FIG. 7

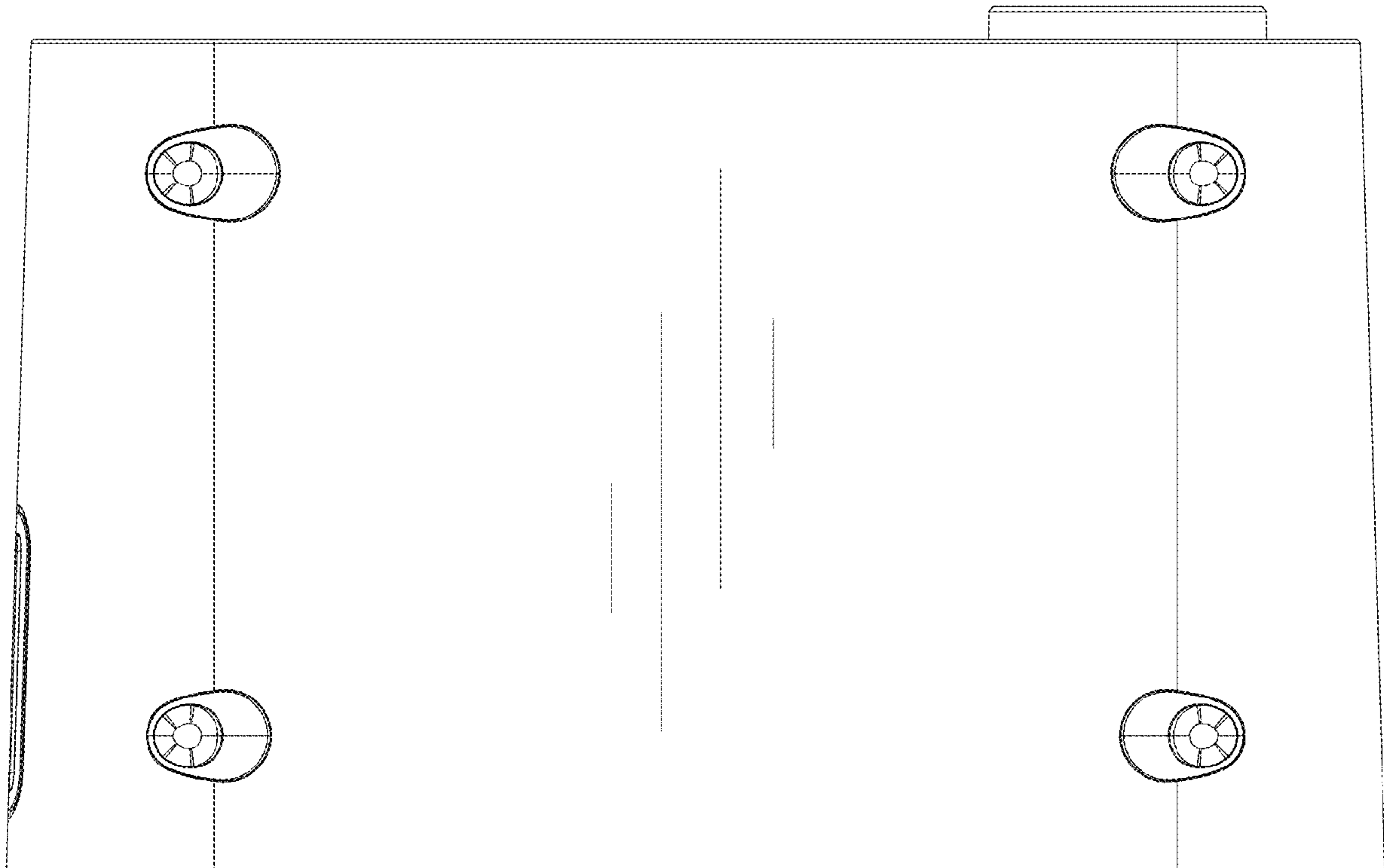


FIG. 8