



US00D986401S

(12) **United States Design Patent**
Chen

(10) **Patent No.:** **US D986,401 S**

(45) **Date of Patent:** **** May 16, 2023**

(54) **PORTABLE FOLDING FAN**

(71) Applicant: **Zhichuan Chen**, Jiangxi (CN)

(72) Inventor: **Zhichuan Chen**, Jiangxi (CN)

(**) Term: **15 Years**

(21) Appl. No.: **29/726,356**

(22) Filed: **Mar. 3, 2020**

(30) **Foreign Application Priority Data**

Sep. 12, 2019 (CN) 201930503125.X

(51) **LOC (14) Cl.** **23-04**

(52) **U.S. Cl.**
USPC **D23/382**; D23/332

(58) **Field of Classification Search**
USPC D23/200, 223, 228, 314, 328, 332, 333,
D23/335, 336, 337, 351, 355, 356, 370,
D23/371, 378-380, 381, 382, 383,
D23/411-412
CPC F04D 25/0673; F04D 25/08; F04D 25/084;
F04D 29/4226

See application file for complete search history.

(56) **References Cited**

U.S. PATENT DOCUMENTS

D674,476 S * 1/2013 Junkel D23/370
D824,012 S * 7/2018 Xu D23/382

D827,121 S * 8/2018 Wang D23/378
D855,171 S * 7/2019 Xu D23/382
D881,371 S * 4/2020 Hollinger D23/382
D884,146 S * 5/2020 Hollinger D23/382
D890,324 S * 7/2020 Xu D23/382
D898,180 S * 10/2020 Du D23/382
D905,843 S * 12/2020 Chen D23/382
11,092,279 B2 * 8/2021 Chen F16M 11/10
2020/0240578 A1 * 7/2020 Chen F16M 11/2014
2021/0079931 A1 * 3/2021 Hu F04D 25/0673

* cited by examiner

Primary Examiner — Sharon S Oum

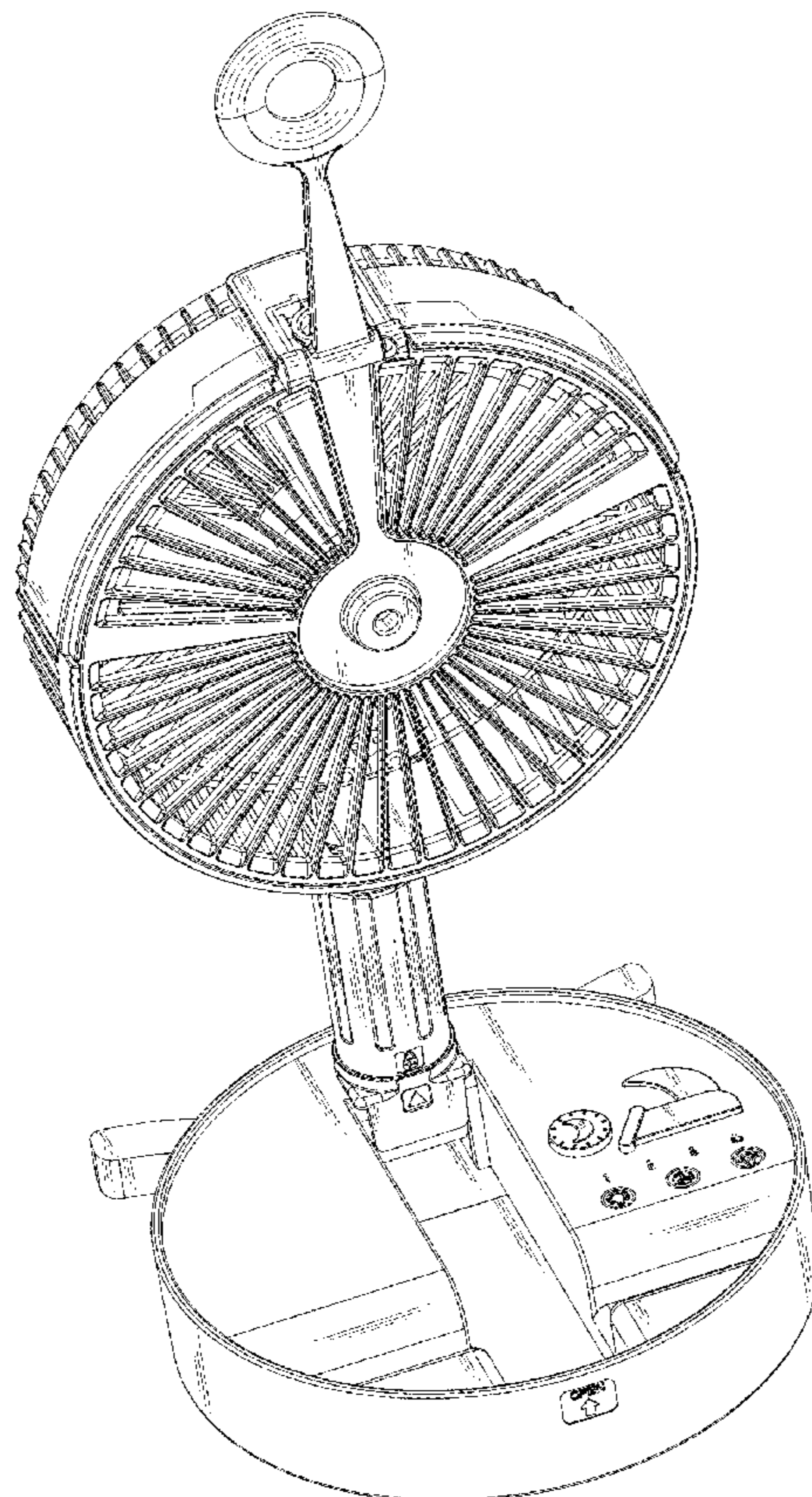
(57) **CLAIM**

The ornamental design for a portable folding fan, as shown and described.

DESCRIPTION

FIG. 1 is a perspective view of a portable folding fan showing my new design;
FIG. 2 is a front elevational view thereof;
FIG. 3 is a rear elevational view thereof;
FIG. 4 is a left side elevational view thereof;
FIG. 5 is a right side elevational view thereof;
FIG. 6 is a top plan view thereof;
FIG. 7 is a bottom plan view thereof; and,
FIG. 8 is a top view thereof shown the folded state.
The broken lines in the drawings depict portions of the portable folding fan that form no part of the claim.

1 Claim, 8 Drawing Sheets



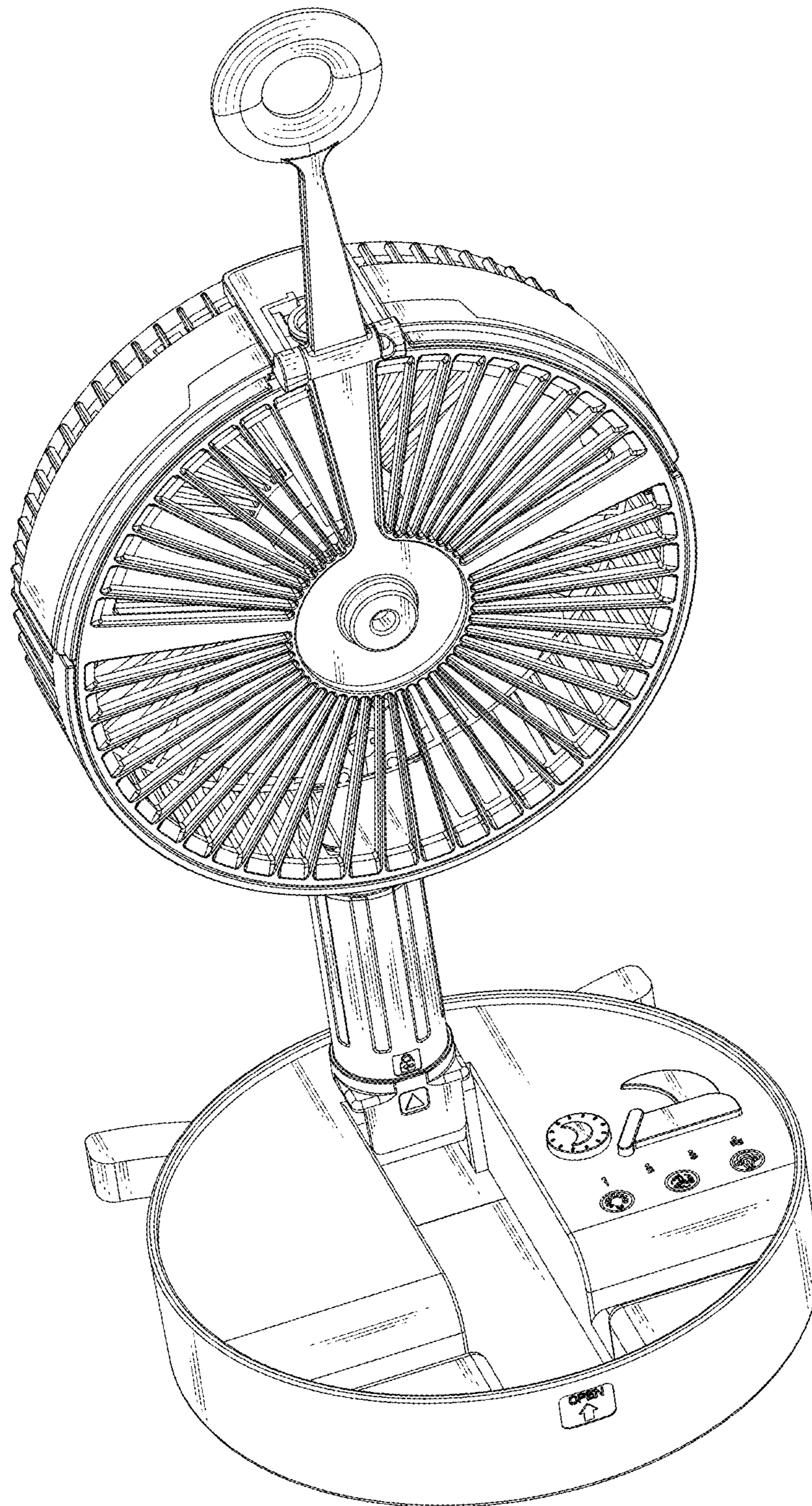


FIG. 1

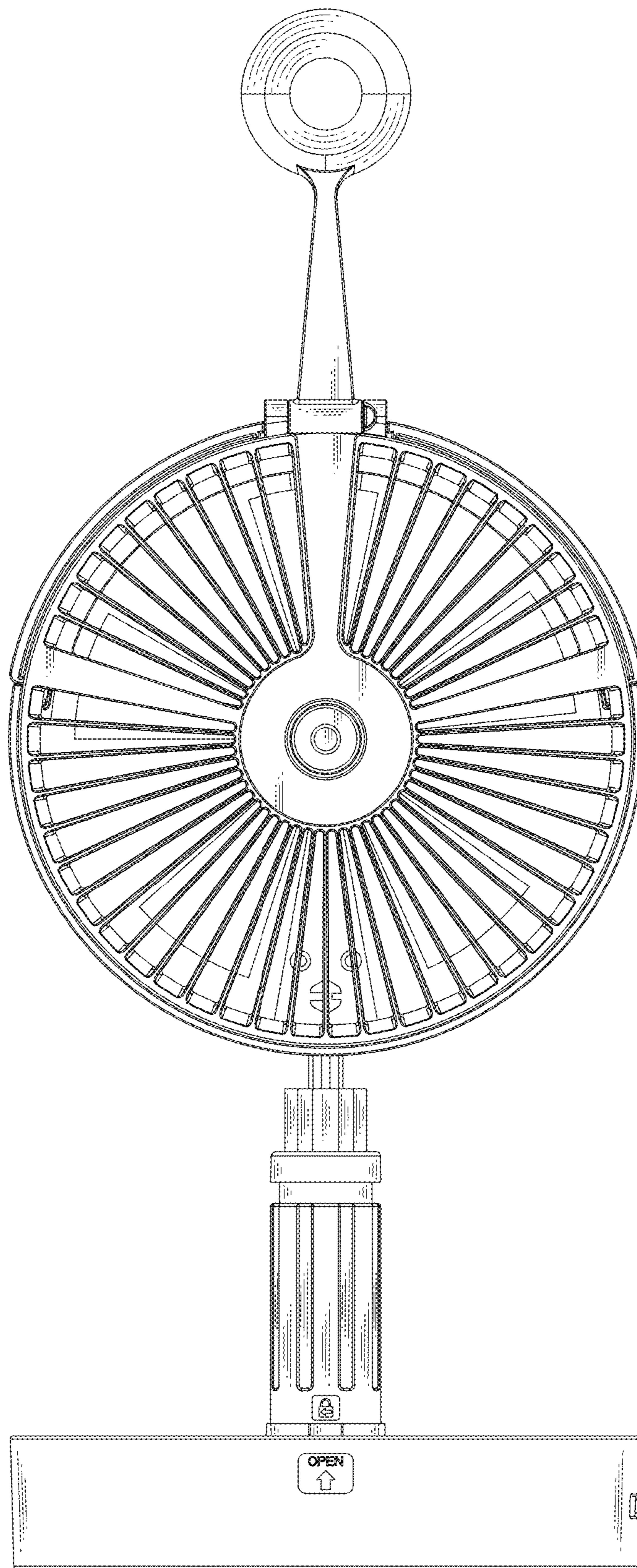


FIG. 2

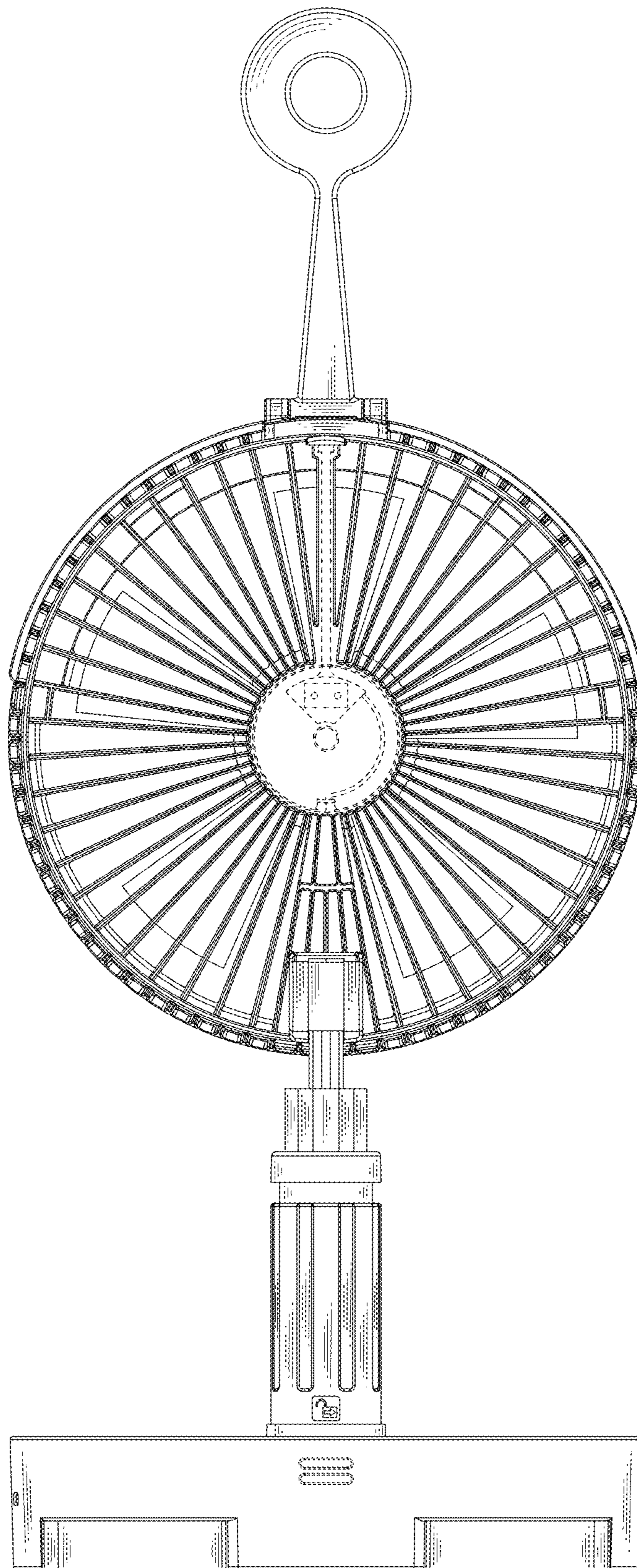


FIG. 3

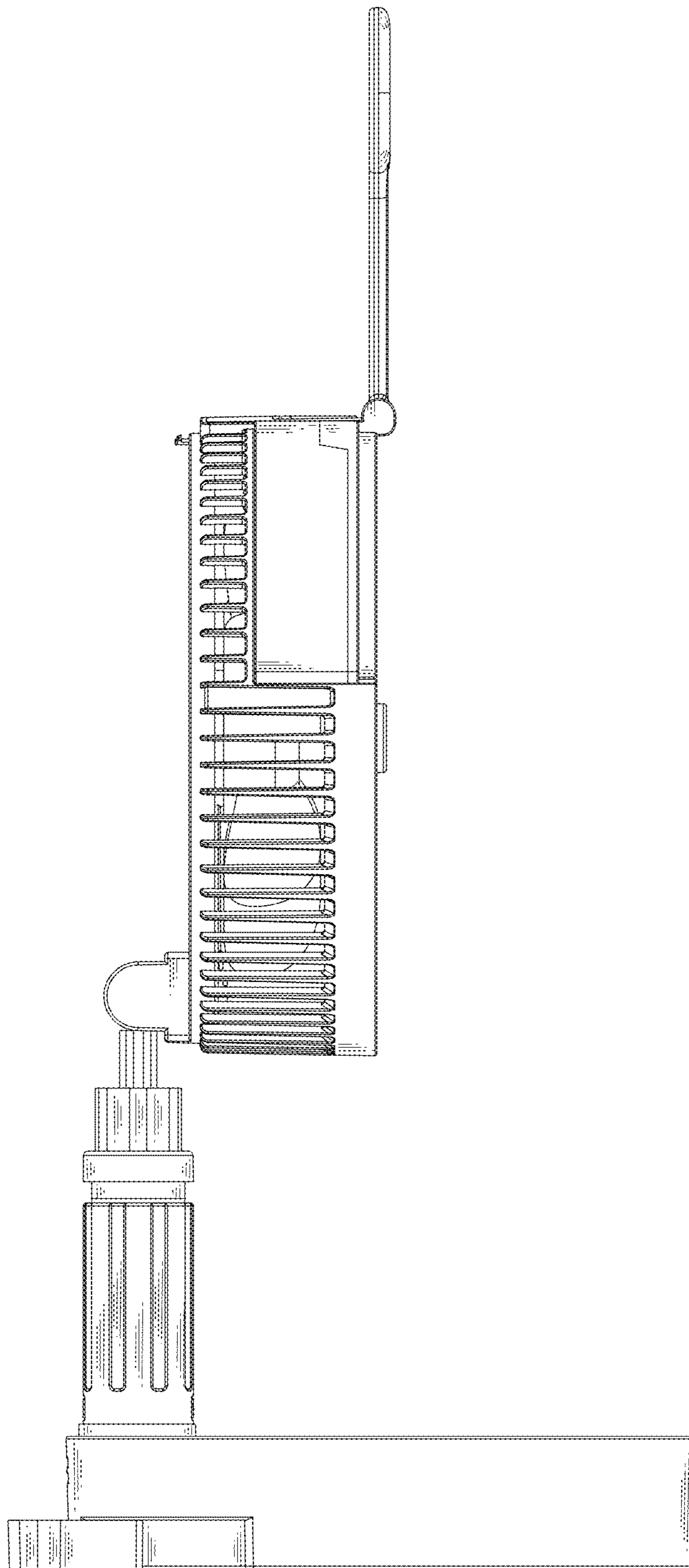


FIG. 4

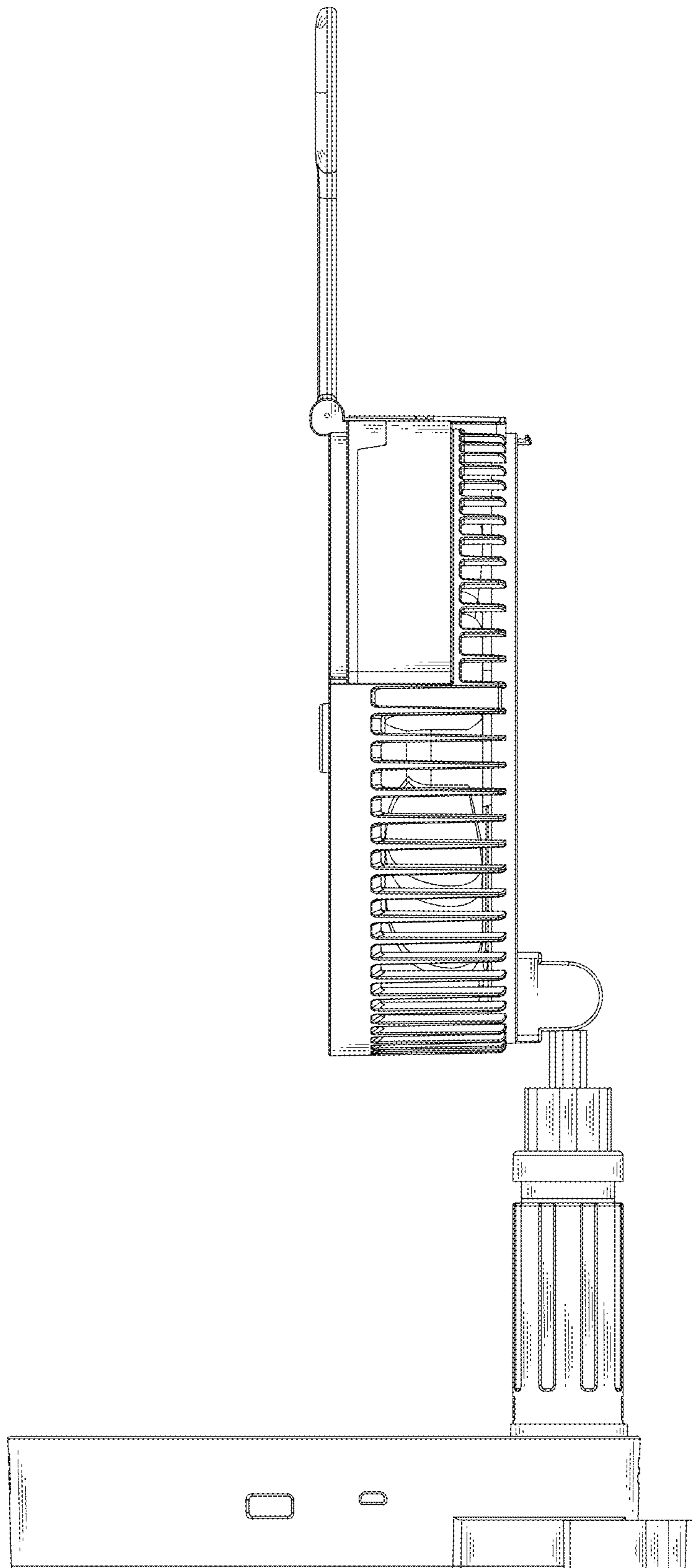


FIG. 5

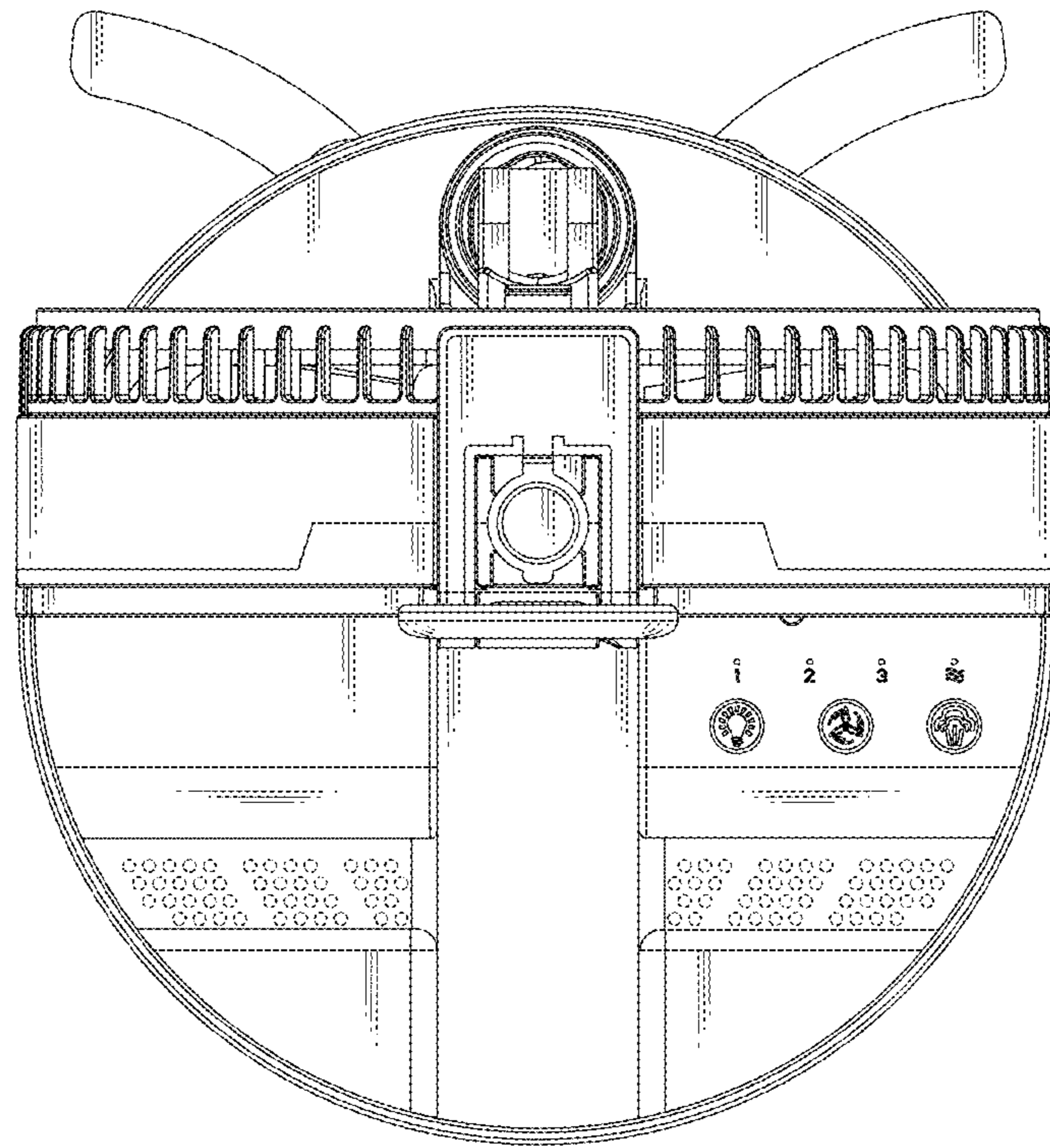


FIG. 6

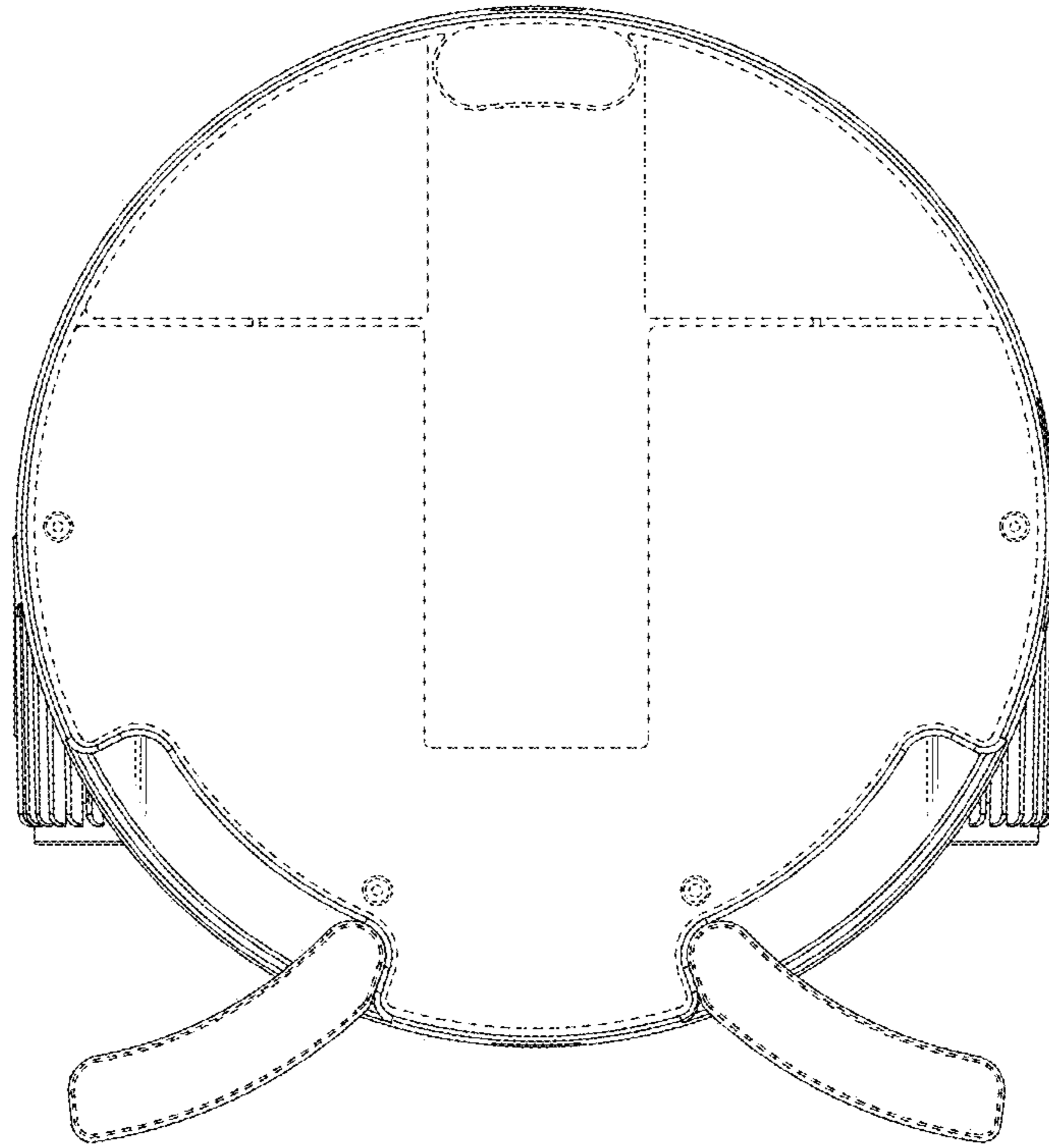


FIG. 7

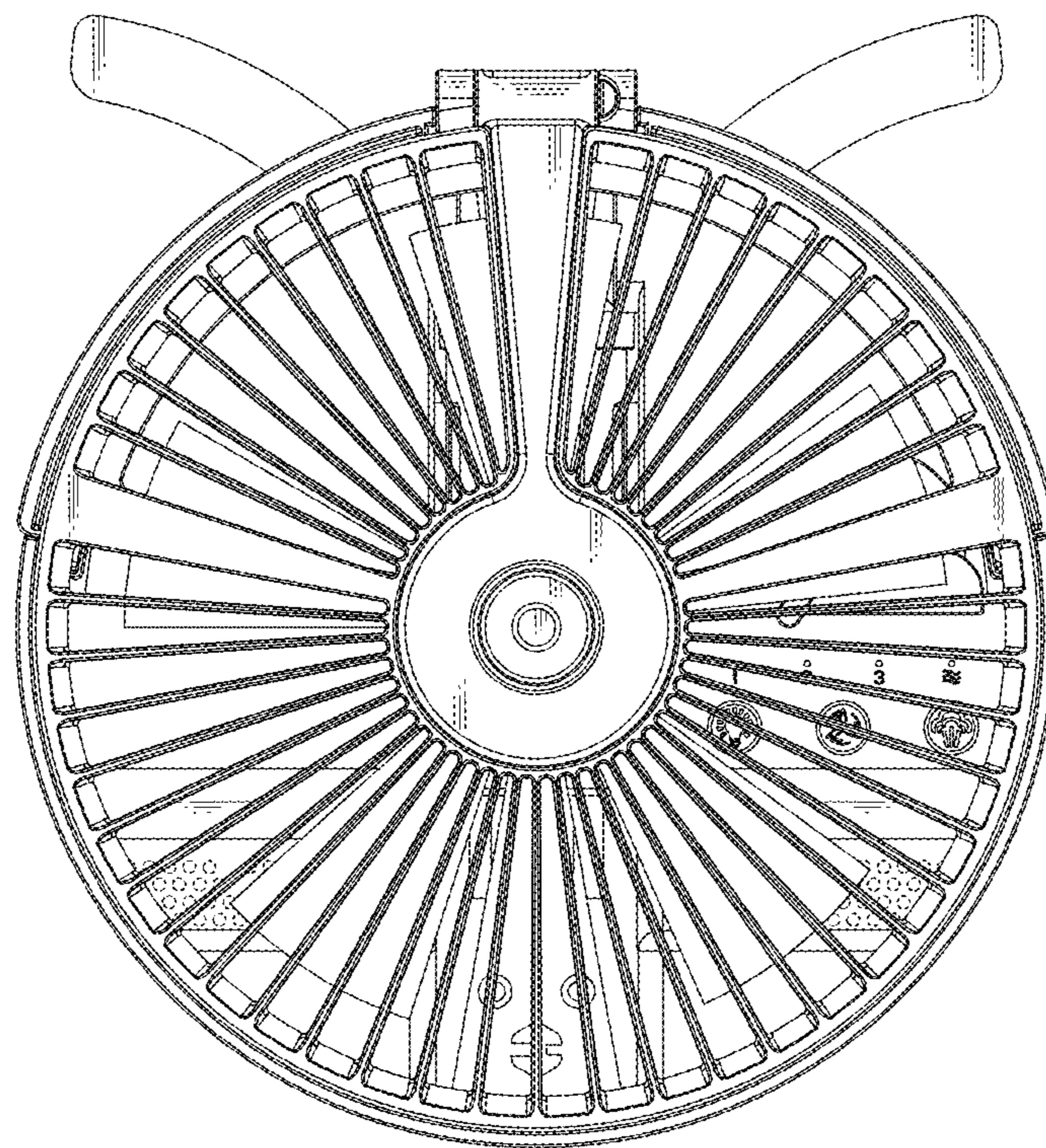


FIG. 8