



US00D986397S

(12) **United States Design Patent** (10) **Patent No.:** **US D986,397 S**
Newby et al. (45) **Date of Patent:** **** May 16, 2023**

(54) **TOPPER FOR A TABLETOP FIRE PIT**
(71) Applicant: **Cast Masters LLC**, Myrtle Beach, SC (US)
(72) Inventors: **Sylvan Newby**, Myrtle Beach, SC (US); **Bryan Devereux**, Myrtle Beach, SC (US); **Brian Baldonado**, Myrtle Beach, SC (US); **Marc Devereux**, Myrtle Beach, SC (US); **Bertrand Valero**, Charleston, SC (US)
(73) Assignee: **Cast Masters LLC**, Myrtle Beach, SC (US)

(**) Term: **15 Years**

(21) Appl. No.: **29/883,470**

(22) Filed: **Jan. 30, 2023**

(51) **LOC (14) Cl.** **23-03**

(52) **U.S. Cl.**
USPC **D23/341**

(58) **Field of Classification Search**
USPC D23/317, 322, 332, 334, 335, 336, 337, D23/338, 339, 340, 341, 342, 343, 344, D23/347; D26/118, 113, 138, 155; D8/373
CPC F24C 7/105; F24C 1/10; F24C 3/04; F24C 7/065; F23D 14/12; F24H 3/00; A47J 2037/0777; A47J 37/0763; F24B 3/00; F24B 1/195; F24B 1/00; F24B 13/00; F24B 1/18; F24B 13/004; F24B 1/192; F24B 1/181; F24B 1/182; F24B 1/1802; F23M 9/10
See application file for complete search history.

(56) **References Cited**
U.S. PATENT DOCUMENTS

D156,619 S * 12/1949 Greene D23/336
5,524,609 A * 6/1996 Krull F24B 1/1808
44/535

D486,212 S * 2/2004 Laudenbach D23/332
D583,504 S * 12/2008 Fujiwara D26/138
D589,207 S * 3/2009 Fujiwara D26/138
D742,490 S * 11/2015 Jepson D23/343
D864,885 S * 10/2019 Kobayashi D13/184
D880,763 S * 4/2020 McNamara D26/138
2012/0231403 A1 * 9/2012 Chen F23C 7/02
431/353
2016/0174766 A1 * 6/2016 Schlosser A47J 37/0718
126/25 R

(Continued)

Primary Examiner — Ania Aman
(74) *Attorney, Agent, or Firm* — Maskell Law PLLC;
Benjamin E. Maskell

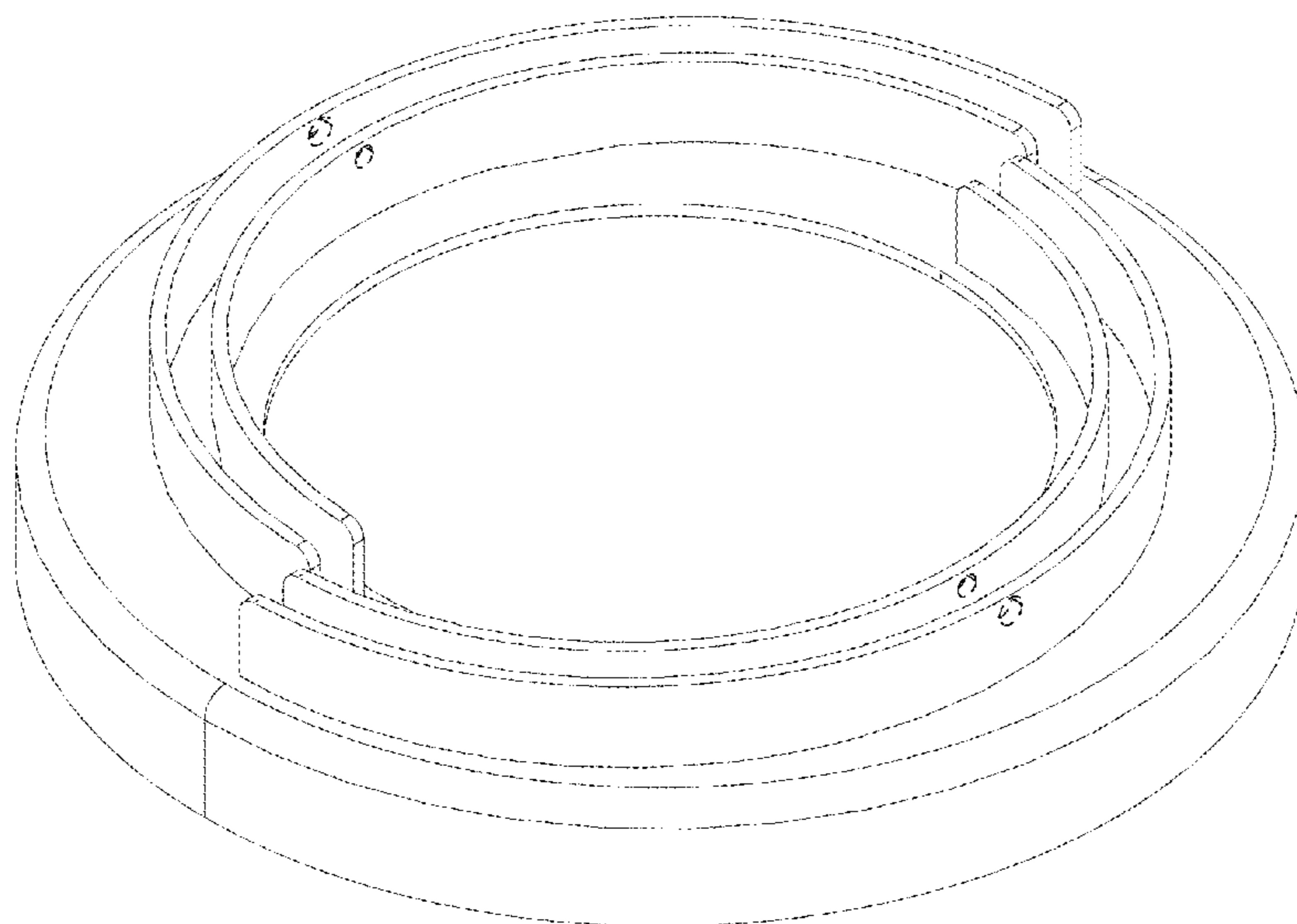
(57) **CLAIM**

The ornamental design for a topper for a tabletop fire pit, as shown and described.

DESCRIPTION

FIG. 1 is an isometric view of a topper for a tabletop fire pit showing a front, right side, and top of topper;
FIG. 2 is an isometric view of a topper for a tabletop fire pit showing a back, left side, and top of topper;
FIG. 3 is an isometric view of a topper for a tabletop fire pit showing a front, right side, and bottom of topper;
FIG. 4 is an isometric view of a topper for a tabletop fire pit showing a back, left side, and bottom of topper;
FIG. 5 is a top view of a topper for a tabletop fire pit;
FIG. 6 is a back view of a topper for a tabletop fire pit;
FIG. 7 is a bottom view of a topper for a tabletop fire pit;
FIG. 8 is a left view of a topper for a tabletop fire pit;
FIG. 9 is a right view of a topper for a tabletop fire pit; and, FIG. 10 is a front view of a topper for a tabletop fire pit.
The broken lines in the drawings depict portions of the article and environmental subject matter and form no part of the claimed design.

1 Claim, 10 Drawing Sheets



(56)

References Cited

U.S. PATENT DOCUMENTS

2021/0048188 A1* 2/2021 Harrington F24B 13/006
2022/0397275 A1* 12/2022 Hensrud F24C 1/16

* cited by examiner

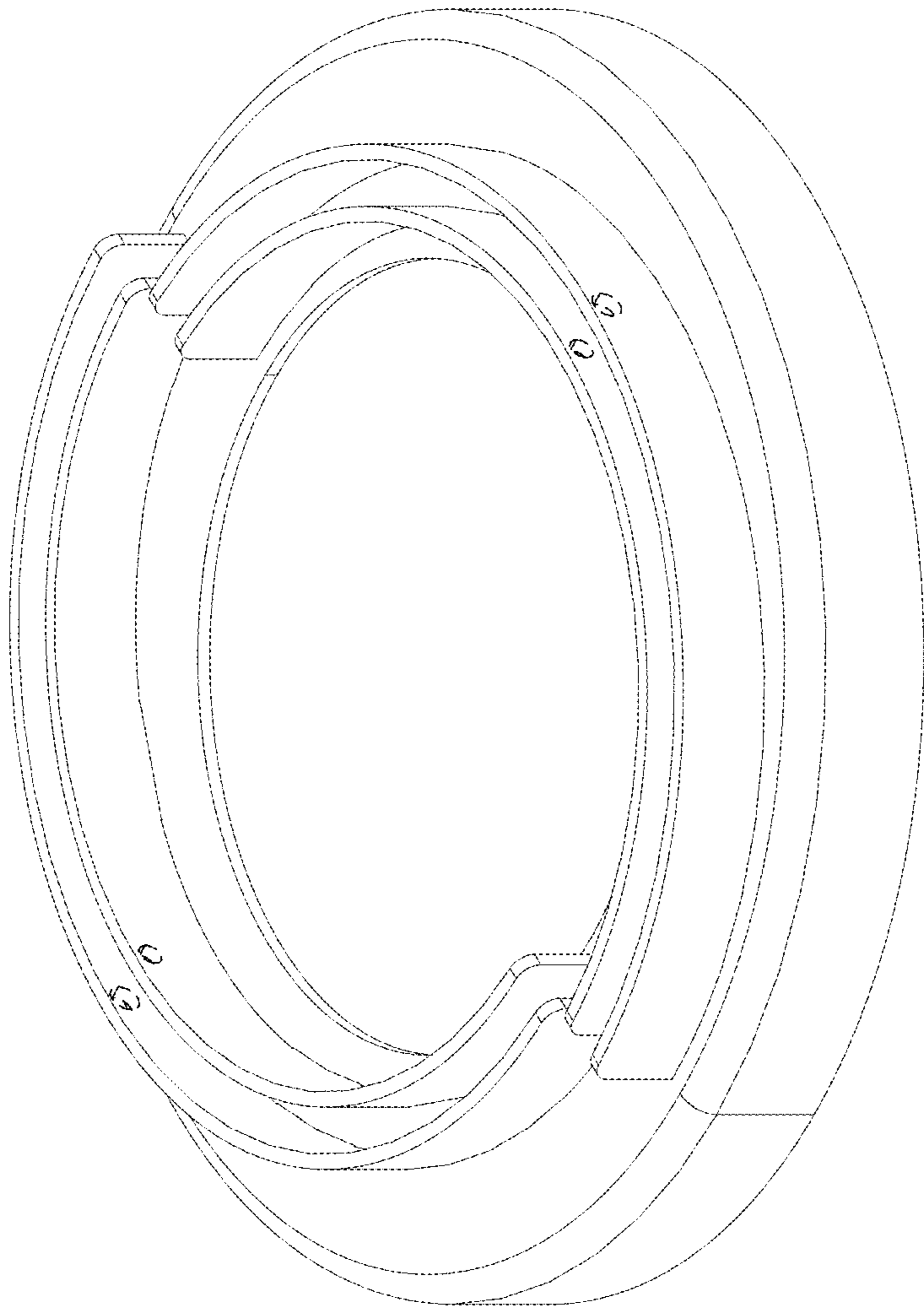


FIG. 1

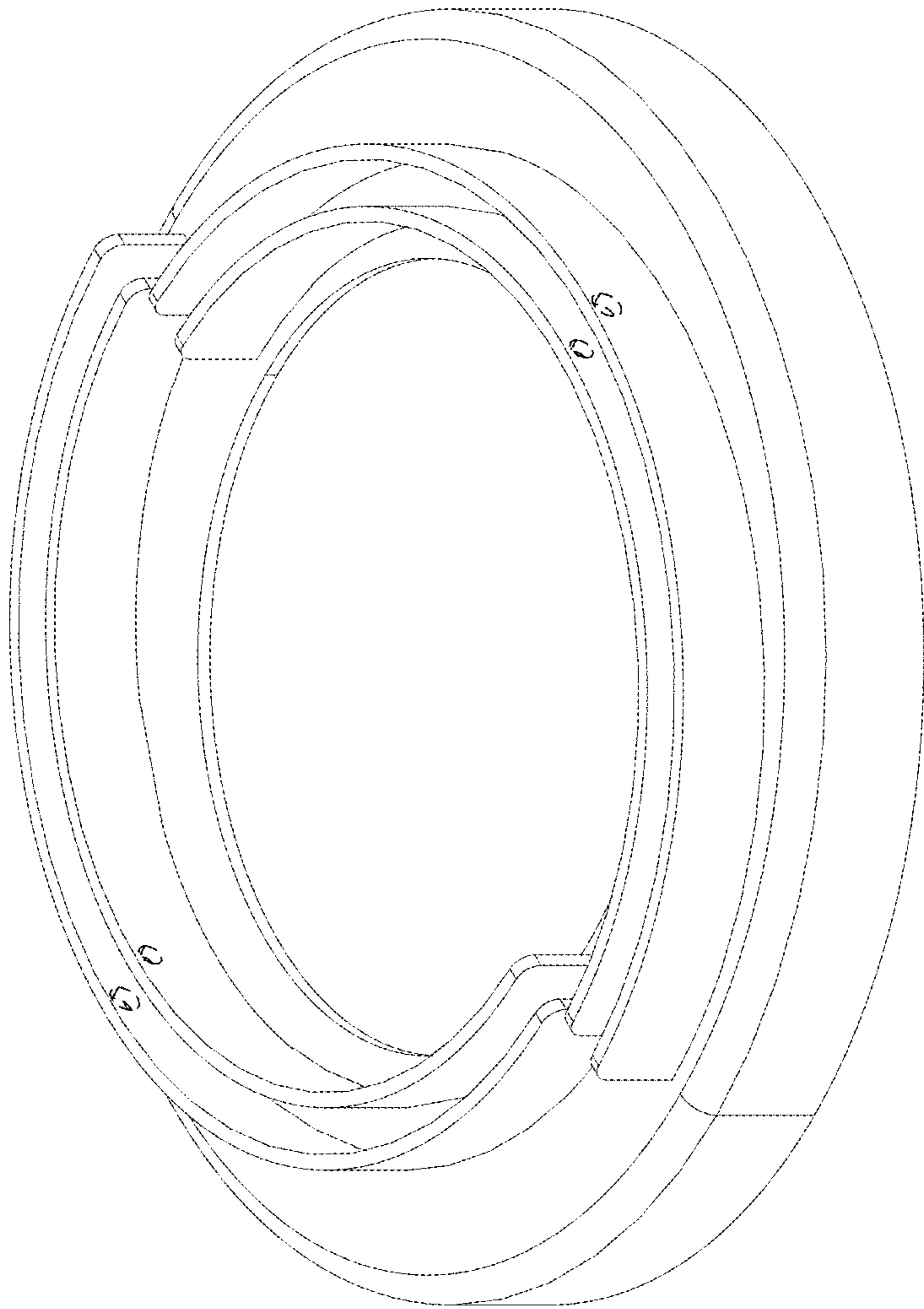


FIG. 2

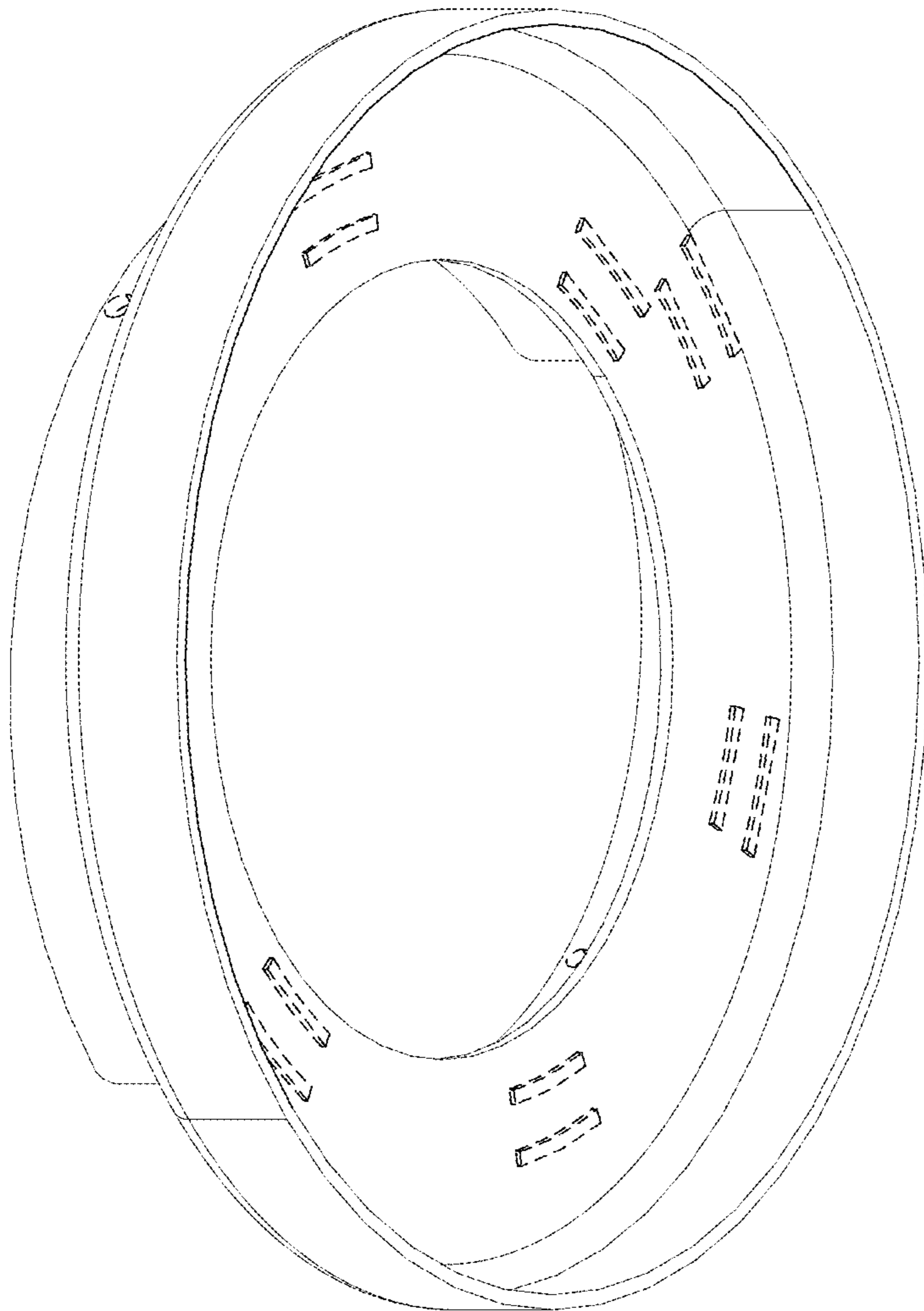


FIG. 3

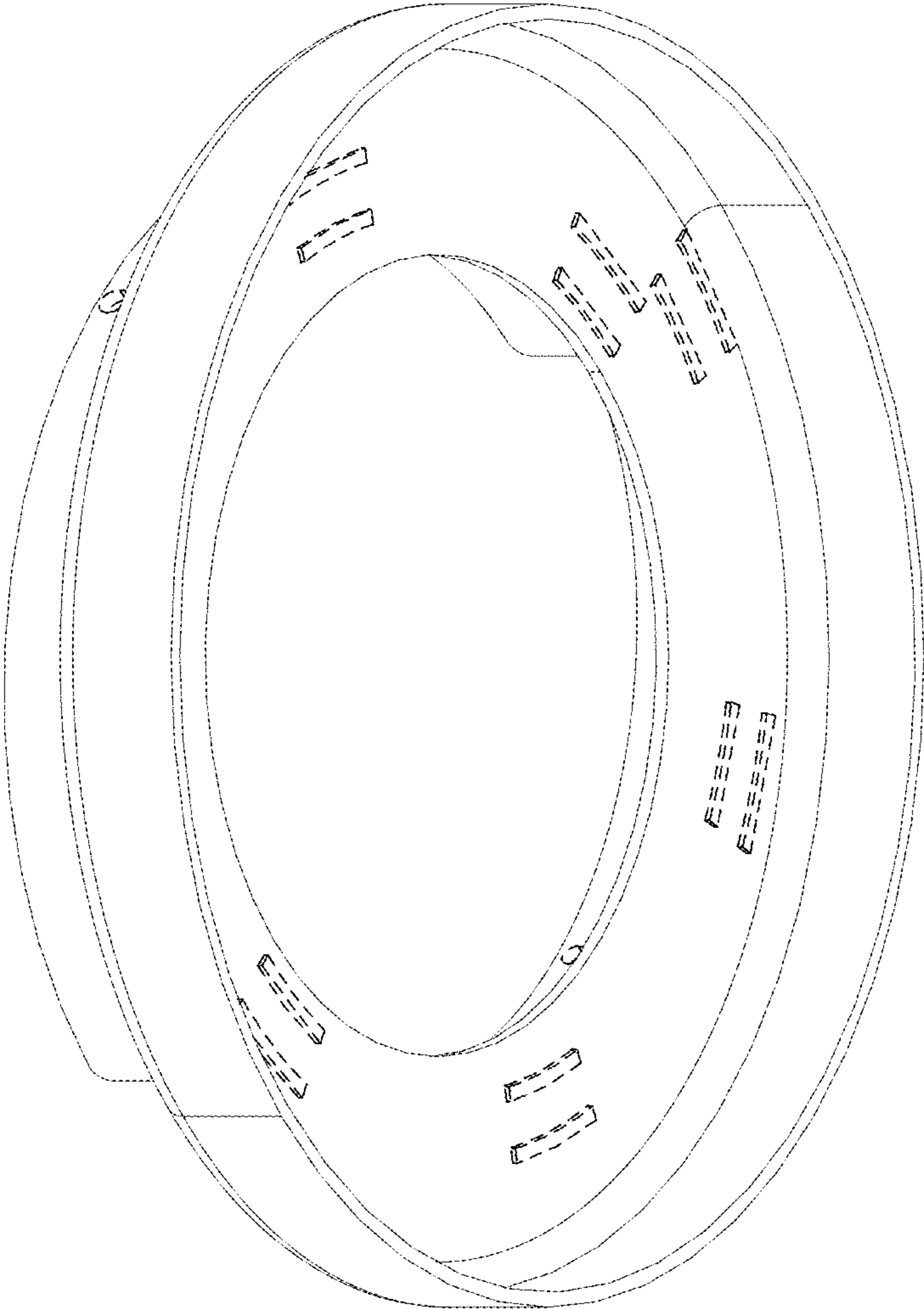


FIG. 4

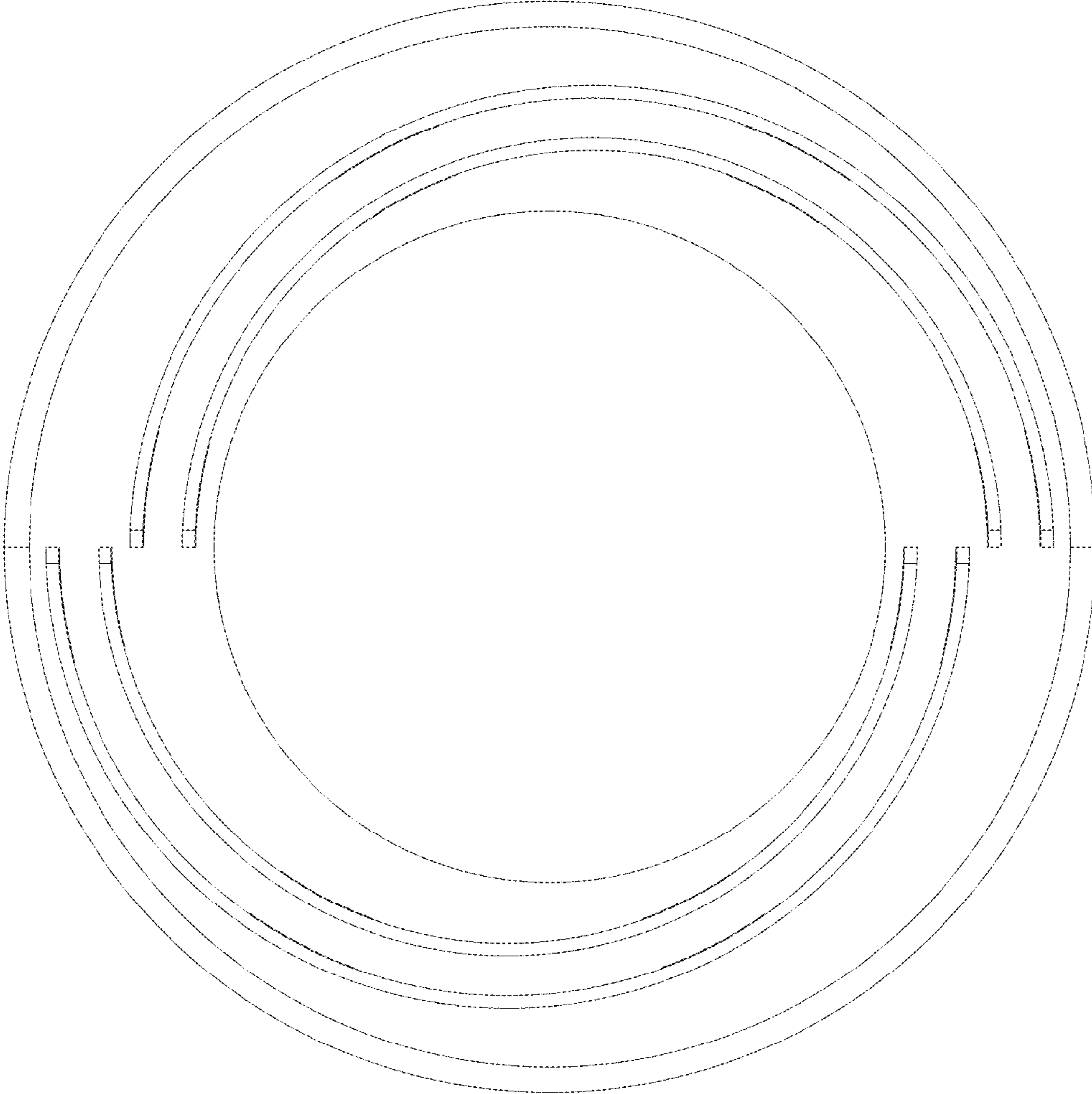


FIG. 5

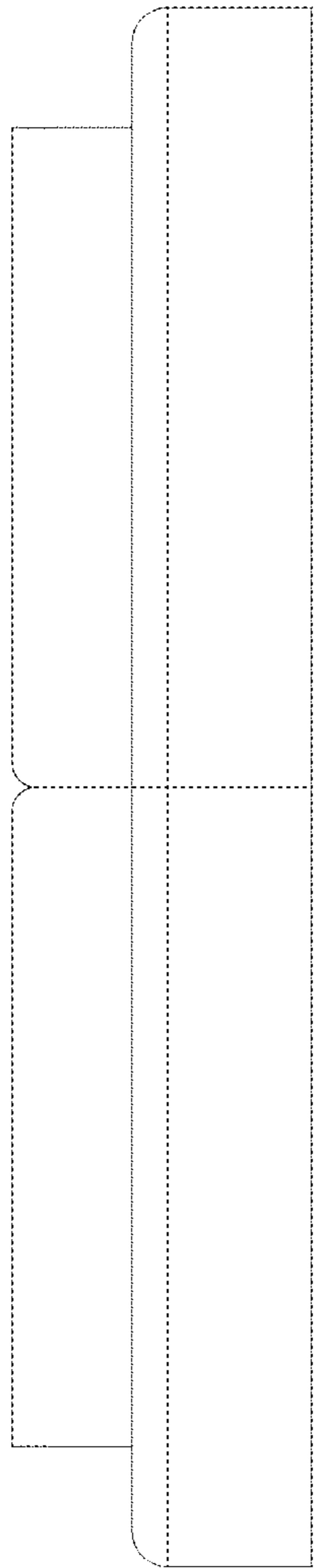


FIG. 6

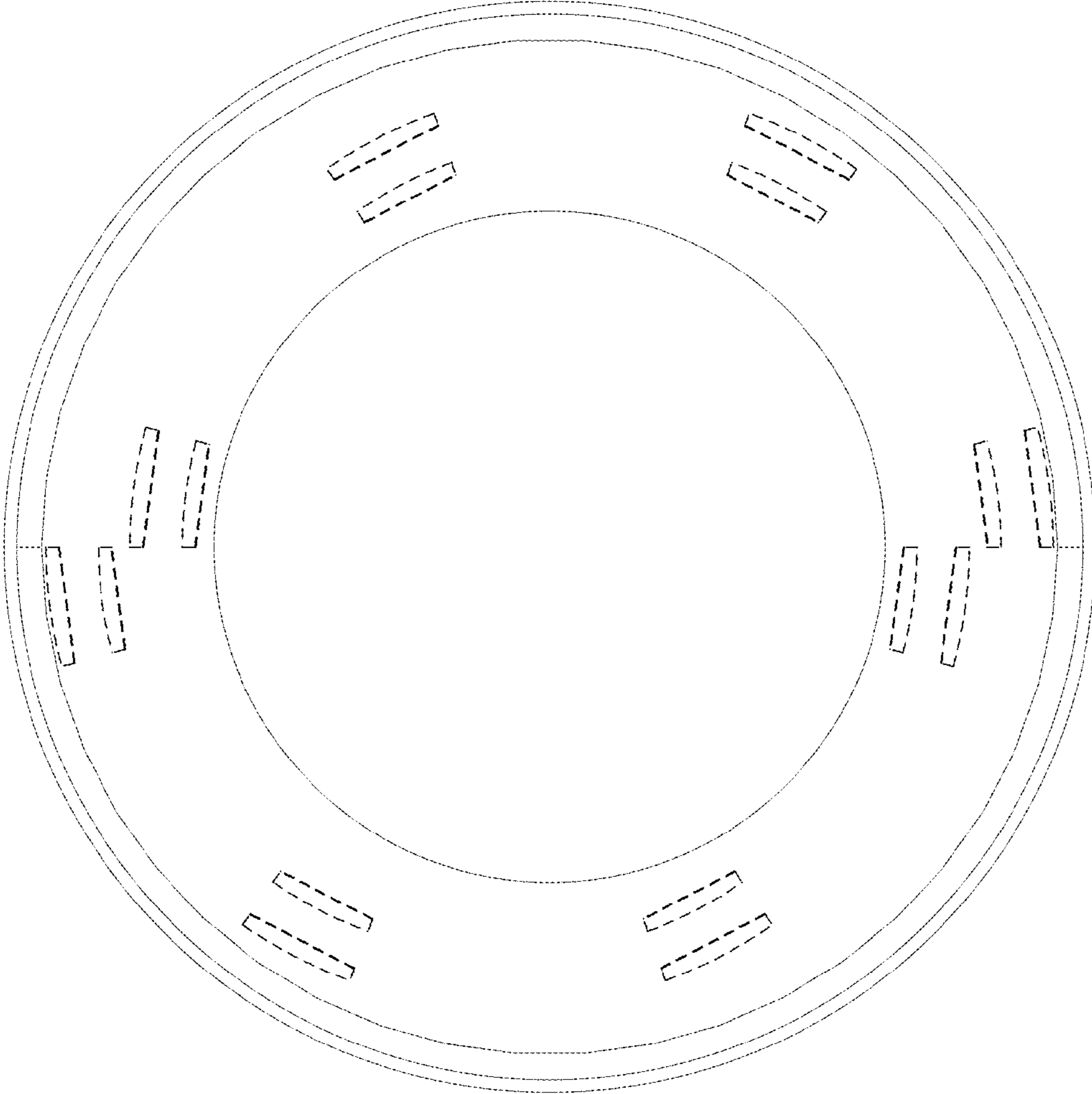


FIG. 7

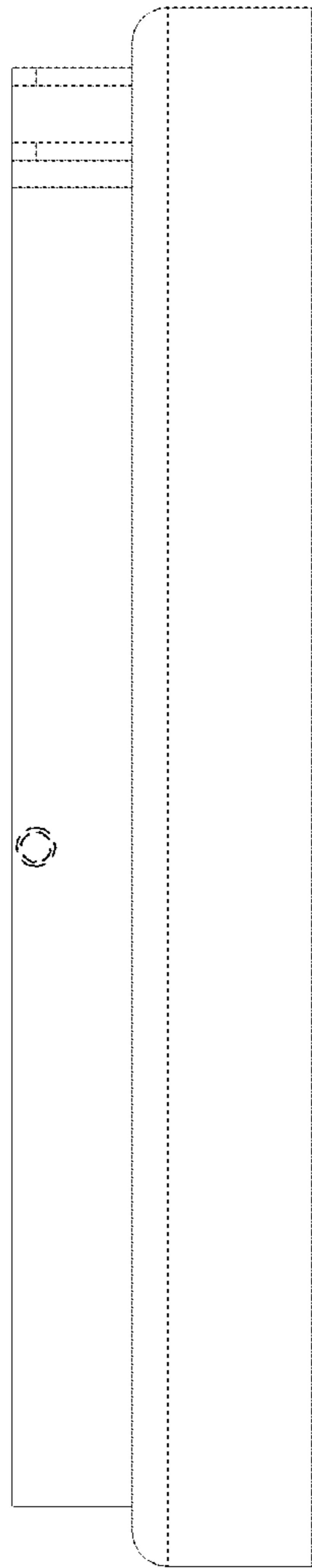


FIG. 8

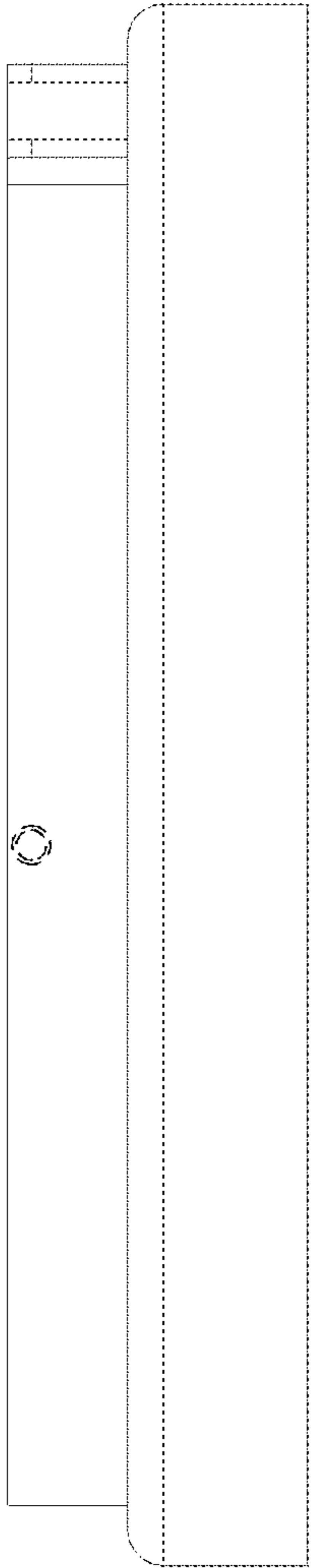


FIG. 9

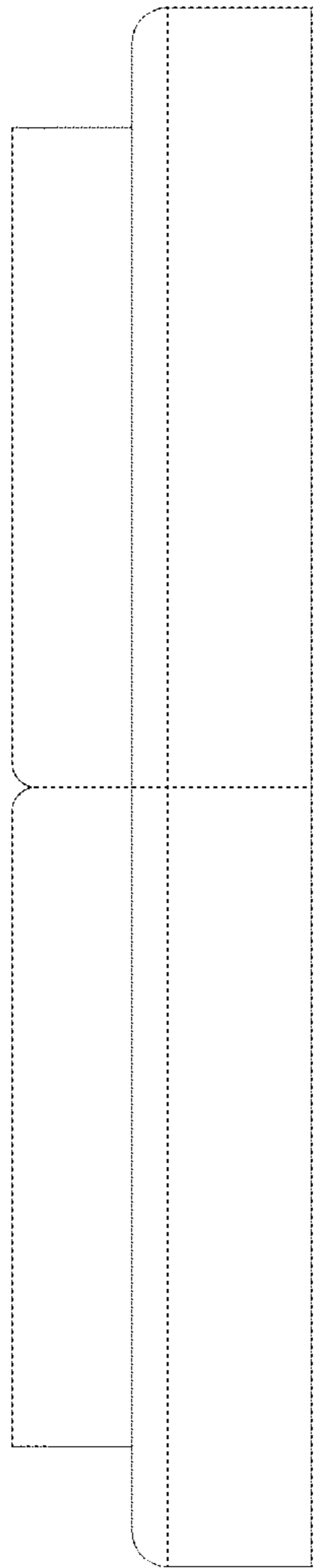


FIG. 10