



US00D986395S

(12) **United States Design Patent** (10) **Patent No.:** **US D986,395 S**  
**Bowen et al.** (45) **Date of Patent:** **\*\* May 16, 2023**

(54) **BATHTUB**  
(71) Applicant: **Kohler Co.**, Kohler, WI (US)  
(72) Inventors: **Stephen J. Bowen**, Sheboygan, WI (US); **Xinyao Liu**, Sheboygan, WI (US)  
(73) Assignee: **KOHLER CO.**, Kohler, WI (US)  
(\*\*) Term: **15 Years**  
(21) Appl. No.: **29/705,815**  
(22) Filed: **Sep. 16, 2019**  
(51) **LOC (14) Cl.** ..... **23-02**  
(52) **U.S. Cl.**  
USPC ..... **D23/277**  
(58) **Field of Classification Search**  
USPC ..... D24/201, 204, 205; D23/277, 278, 276,  
D23/280.1–280.3  
CPC ..... A47K 3/006; A47K 3/02; A47K 3/022;  
E05C 9/16  
See application file for complete search history.

(56) **References Cited**  
U.S. PATENT DOCUMENTS  
D255,382 S \* 6/1980 Beebe ..... D25/2  
D255,383 S \* 6/1980 Beebe ..... D25/2  
D260,429 S \* 8/1981 Myers ..... D25/2  
D264,129 S \* 4/1982 Tulipani ..... D25/2  
D270,567 S \* 9/1983 Conlin ..... D25/63  
D278,742 S \* 5/1985 Stairs, Jr. .... D23/280.3  
D376,852 S \* 12/1996 Allen ..... D24/204  
D446,310 S \* 8/2001 Bower ..... D24/204  
D513,325 S \* 12/2005 Loyd ..... D24/204  
D566,246 S \* 4/2008 Cunningham ..... D23/277  
D571,900 S \* 6/2008 Daikubara ..... D23/277  
D727,515 S \* 4/2015 Kim ..... D24/201  
D793,575 S \* 8/2017 Lin ..... D24/204  
D843,000 S \* 3/2019 Harder ..... D24/204

\* cited by examiner

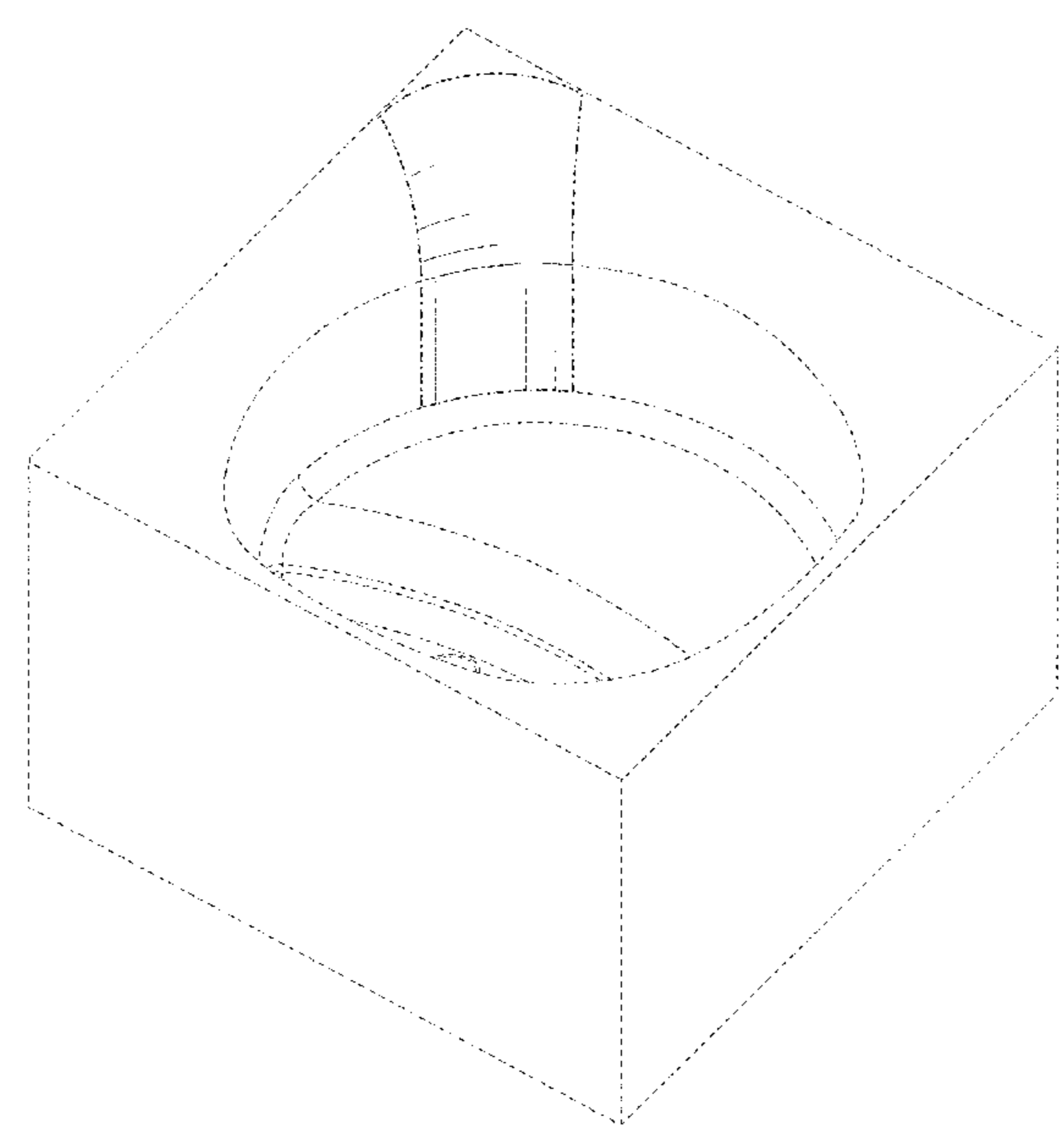
*Primary Examiner* — David G Muller  
(74) *Attorney, Agent, or Firm* — Foley & Lardner LLP

(57) **CLAIM**  
We claim the ornamental design for a bathtub, as shown and described.

**DESCRIPTION**  
FIG. 1 is a perspective view of the claimed design;  
FIG. 2 is a front view of the claimed design shown in FIG. 1;  
FIG. 3 is a rear view of the claimed design shown in FIG. 1;  
FIG. 4 is a side view of the claimed design shown in FIG. 1;  
FIG. 5 is another side view of the claimed design shown in FIG. 1;  
FIG. 6 is a top view of the claimed design shown in FIG. 1; and,  
FIG. 7 is a bottom view of the claimed design shown in FIG. 1.

The ornamental design that is claimed is shown in the drawings as solid lines and surfaces having surface shading: The broken lines in the drawings are for illustrative purposes only and form no part of the claimed design. For example, broken lines formed by equal length dashes show unclaimed portions of the design. Broken lines formed of unequal length dashes (i.e., dash-dot) show boundaries between either claimed and unclaimed portions of the design or between unclaimed and unclaimed portions of the design. Break lines having a jagged element are not part of the claimed design and show unspecified lengths of the portion are possible. The appearance of any portion of the article between the break lines forms no part of the claimed design. Cross-hatching provided on cut surfaces is for illustrative purposes only and forms no part of the claimed design.

**1 Claim, 5 Drawing Sheets**



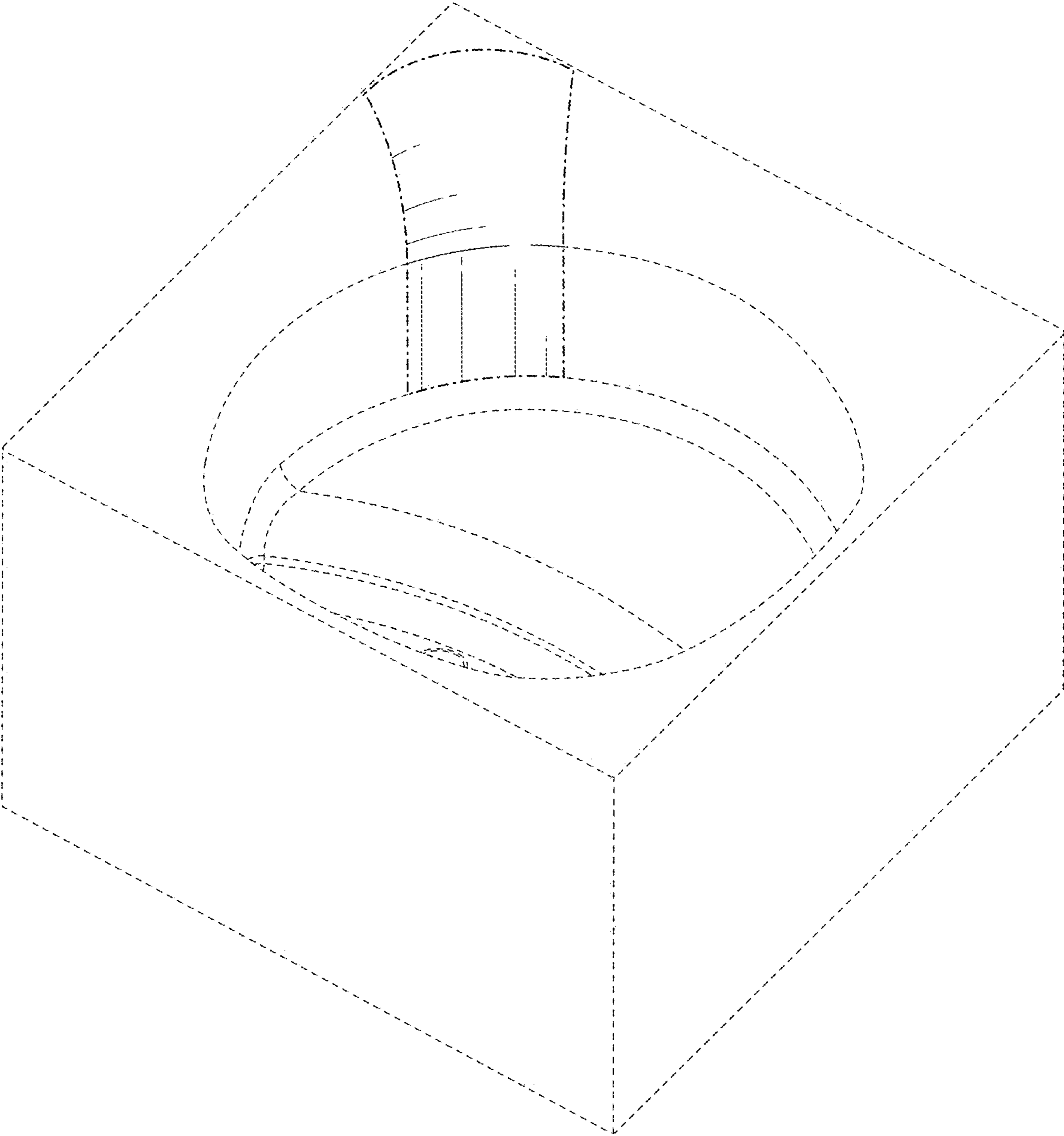


FIG. 1



FIG. 2



FIG. 3



FIG. 4



FIG. 5

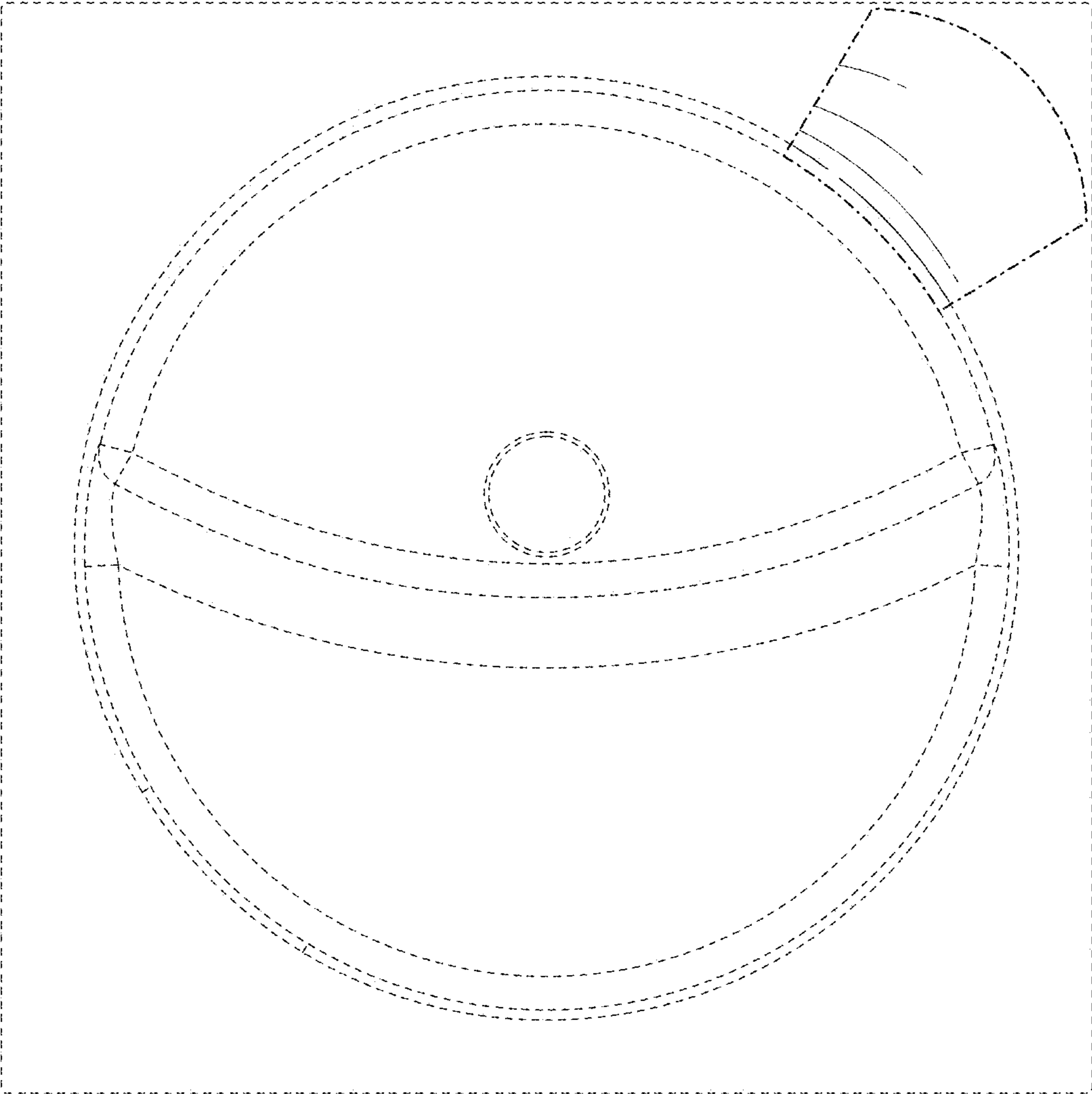


FIG. 6

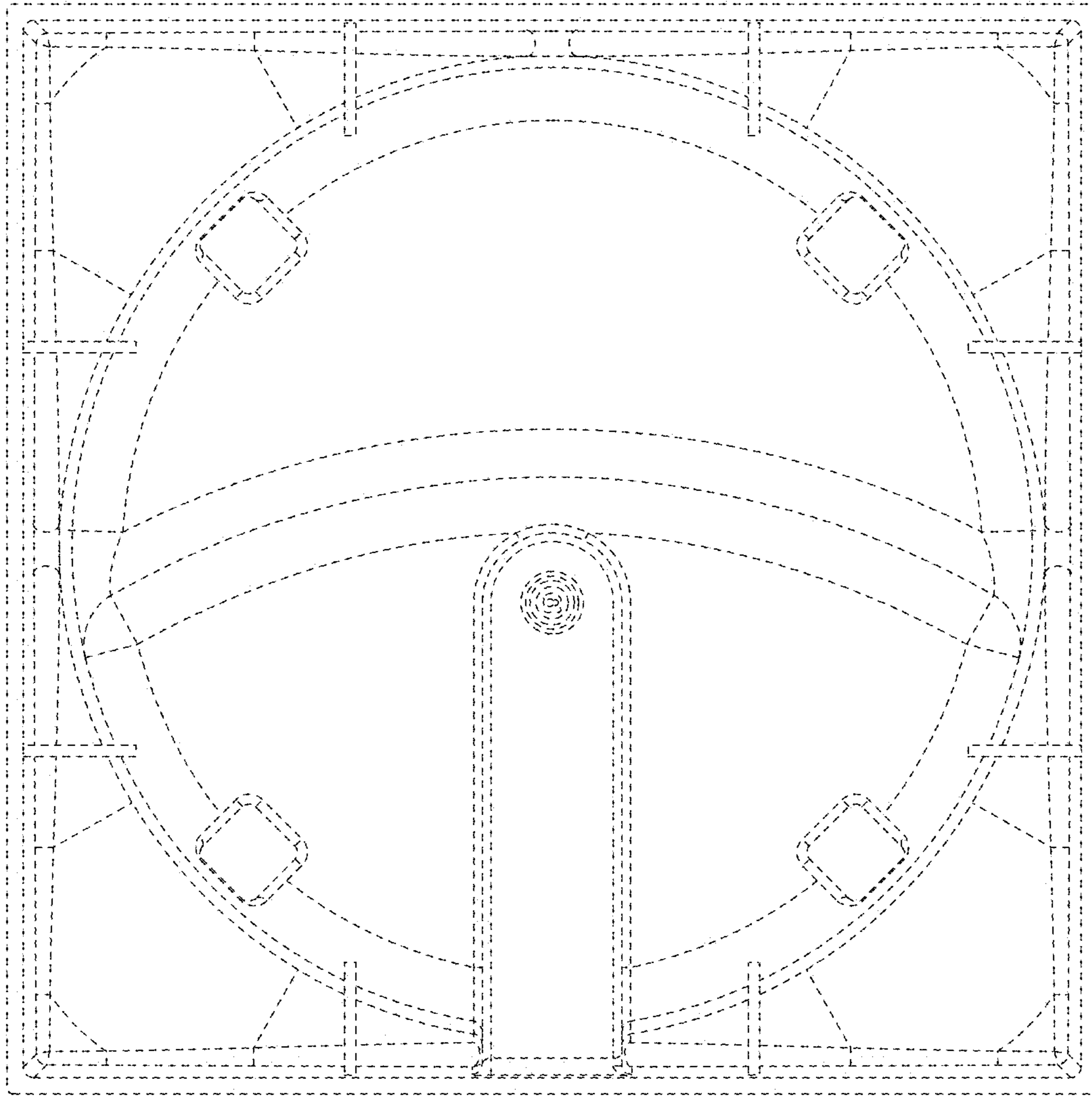


FIG. 7