



US00D986391S

(12) **United States Design Patent** (10) **Patent No.:** **US D986,391 S**
Orr (45) **Date of Patent:** **** May 16, 2023**

(54) **VALVE TAMPER SHIELD AND VALVE ASSEMBLY**

(71) Applicant: **Zurn Industries, LLC**, Milwaukee, WI (US)

(72) Inventor: **Bill Orr**, Paso Robles, CA (US)

(73) Assignee: **ZURN INDUSTRIES, LLC**, Milwaukee, WI (US)

(**) Term: **15 Years**

(21) Appl. No.: **29/870,007**

(22) Filed: **Jan. 13, 2023**

Related U.S. Application Data

(62) Division of application No. 29/710,979, filed on Oct. 28, 2019, now Pat. No. Des. 980,391.

(51) **LOC (14) Cl.** **23-01**

(52) **U.S. Cl.**
USPC **D23/262; D23/259; D23/233; D23/303**

(58) **Field of Classification Search**
USPC **D23/249, 259, 262, 233, 237, 303, 322, D23/363, 341**

CPC **F16L 23/032**
See application file for complete search history.

(56) **References Cited**

U.S. PATENT DOCUMENTS

2,630,294	A	3/1953	Ericson et al.	
3,405,957	A	10/1968	Chakroff	
D234,847	S *	4/1975	Hoffman	D23/262
D270,935	S *	10/1983	Logsdon	D23/262
4,460,012	A	7/1984	Koumi et al.	
D326,503	S *	5/1992	Ipsen	D23/233
D364,449	S *	11/1995	Ellenberger	D23/262
5,722,695	A	3/1998	Matsumoto et al.	
D423,643	S *	4/2000	McLennan	D23/233
6,220,282	B1	4/2001	Powell	

(Continued)

OTHER PUBLICATIONS

Zurn Model ZW4000 Pressure-Thu Fire Hose Valve Spec Sheet; Published Nov. 2019; Visited Online Mar. 14, 2023; https://www.zurn.com/media-library/web_documents/pdfs/specsheets/fv-zw4000-pdf (Year: 2019).*

(Continued)

Primary Examiner — Amy C Wierenga

(74) *Attorney, Agent, or Firm* — Michael Best & Friedrich LLP

(57) **CLAIM**

The ornamental design for a valve tamper shield and valve assembly, as shown and described.

DESCRIPTION

FIG. 1 is a front perspective view of a valve tamper shield and valve assembly according to a first embodiment of the present invention;

FIG. 2 is a top plan view thereof;

FIG. 3 is a bottom plan view thereof;

FIG. 4 is a right side elevation view thereof;

FIG. 5 is a left side elevation view thereof;

FIG. 6 is a front elevation view thereof;

FIG. 7 is a rear elevation view thereof.

FIG. 8 is a front perspective view of a valve tamper shield and valve assembly according to a second embodiment of the present invention;

FIG. 9 is a top plan view thereof;

FIG. 10 is a bottom plan view thereof;

FIG. 11 is a right-side elevation view;

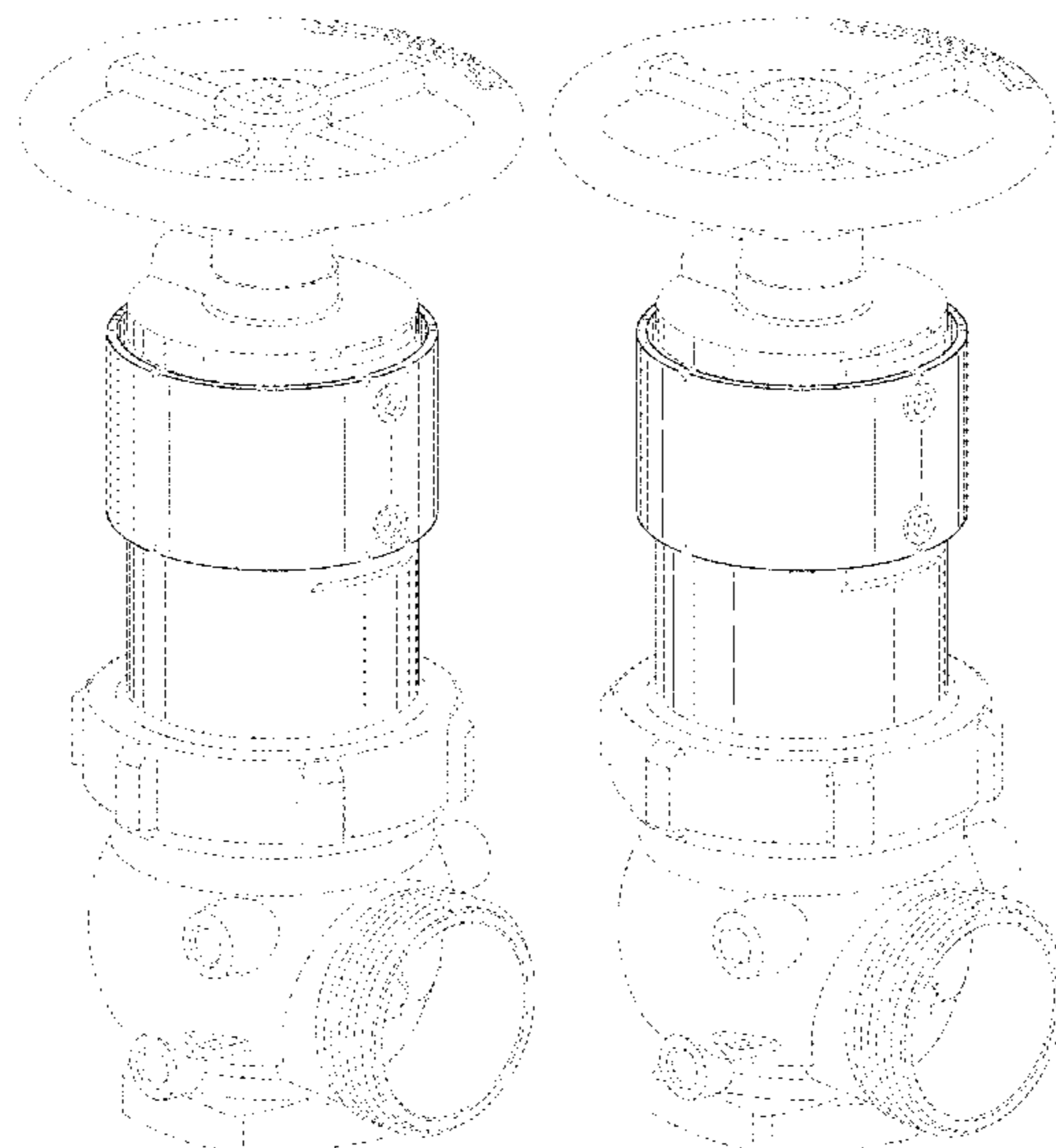
FIG. 12 is a left side elevation view thereof;

FIG. 13 is a front elevation view thereof; and,

FIG. 14 is a rear elevation view thereof.

The broken lines shown in the drawings depict portions of the valve tamper shield and valve assembly and environment that form no part of the claimed design.

1 Claim, 12 Drawing Sheets



(56)

References Cited

U.S. PATENT DOCUMENTS

7,434,593 B2 * 10/2008 Noll F16K 15/063
 137/454.2
 D589,126 S * 3/2009 Concannon D23/262
 8,397,317 B2 3/2013 Funari et al.
 D747,444 S 1/2016 Gledhill et al.
 D787,646 S 5/2017 Davis et al.
 D787,647 S * 5/2017 Eaton F16L 19/02
 D23/259
 D874,619 S * 2/2020 Simon D23/262
 D892,275 S 8/2020 Forrestal et al.
 D909,545 S * 2/2021 Westcott-Pocock D23/262
 D980,391 S * 3/2023 Orr D23/262
 2013/0049354 A1 2/2013 Chase et al.
 2015/0369412 A1 * 12/2015 Berlusconi F16L 37/0847
 285/321
 2016/0195205 A1 7/2016 Webb et al.
 2019/0234544 A1 8/2019 Kramer

OTHER PUBLICATIONS

Zurn Wilkins Pressure-Tru Field Adjustable ZW5000/5004 Series Pressure Reducing Valve; Release Date of Oct. 28, 2019 Announced on New Products For Engineers Website; Visited Online Mar. 14,

2023; <https://gspplatform.cfemedia.com/pe/productProfile/5e8e9f5a82bcfa0a83ff33d4> (Year: 2019).*

Cla-Val, Field Adjustable Pressure Reducing Vavle, Product Literature Brouchure, Apr. 2019 (2 pages).

Elkhart Brass Fire Fighting Equipment, Field Adjustable Pressure Reducing Valve, Product Literature Brouchure <<https://www.elkhartbrass.com/products/industrial-valves/field-adjustable-pressure-reducing/multimedia>>, available at least as early as Jan. 26, 2020, (2 pages).

Elkhart Brass Fire Fighting Equipment, Installation and Operating Instructions for Field Adjustable Pressure Reducing Controlling Valves <<https://www.elkhartbrass.com/products/industrial-valves/field-adjustable-pressure-reducing/manuals>>, available at least as early as Jan. 26, 2020 (21 pages).

Giacomini Water E-Motion, Fire Protection Pressure Reducing Valve, Product Literature Brouchure, Nov. 2019 (6 pages).

Zurn Pressure-Tru ZW5000/5004 Series PRV Launch, Youtube Video Frames 1:20/1:27; published Oct. 25, 2019; Visited Online Oct. 3, 2022; <https://youtube.com/watch?v=DomXQiNr6ks> (Year: 2019).

Zurn Specification Sheet Model P400A Thermal Expansion Relief Valve; Rev. D Publish date Nov. 2016; Visited Online Oct. 3, 2022 https://www.zurn.com/media-library/web_documents/pdfs/specsheets/p4000a-pdf (Year: 2016).

* cited by examiner

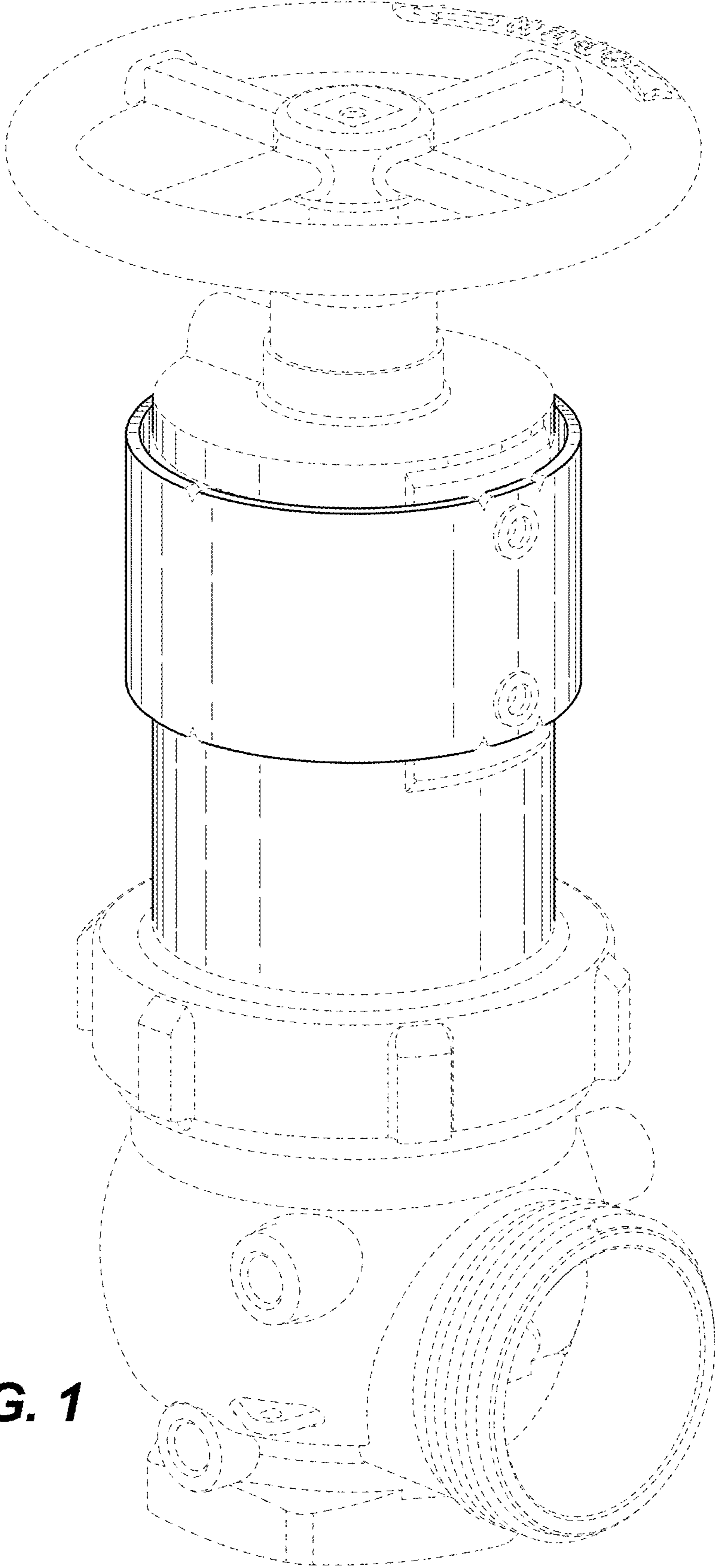


FIG. 1

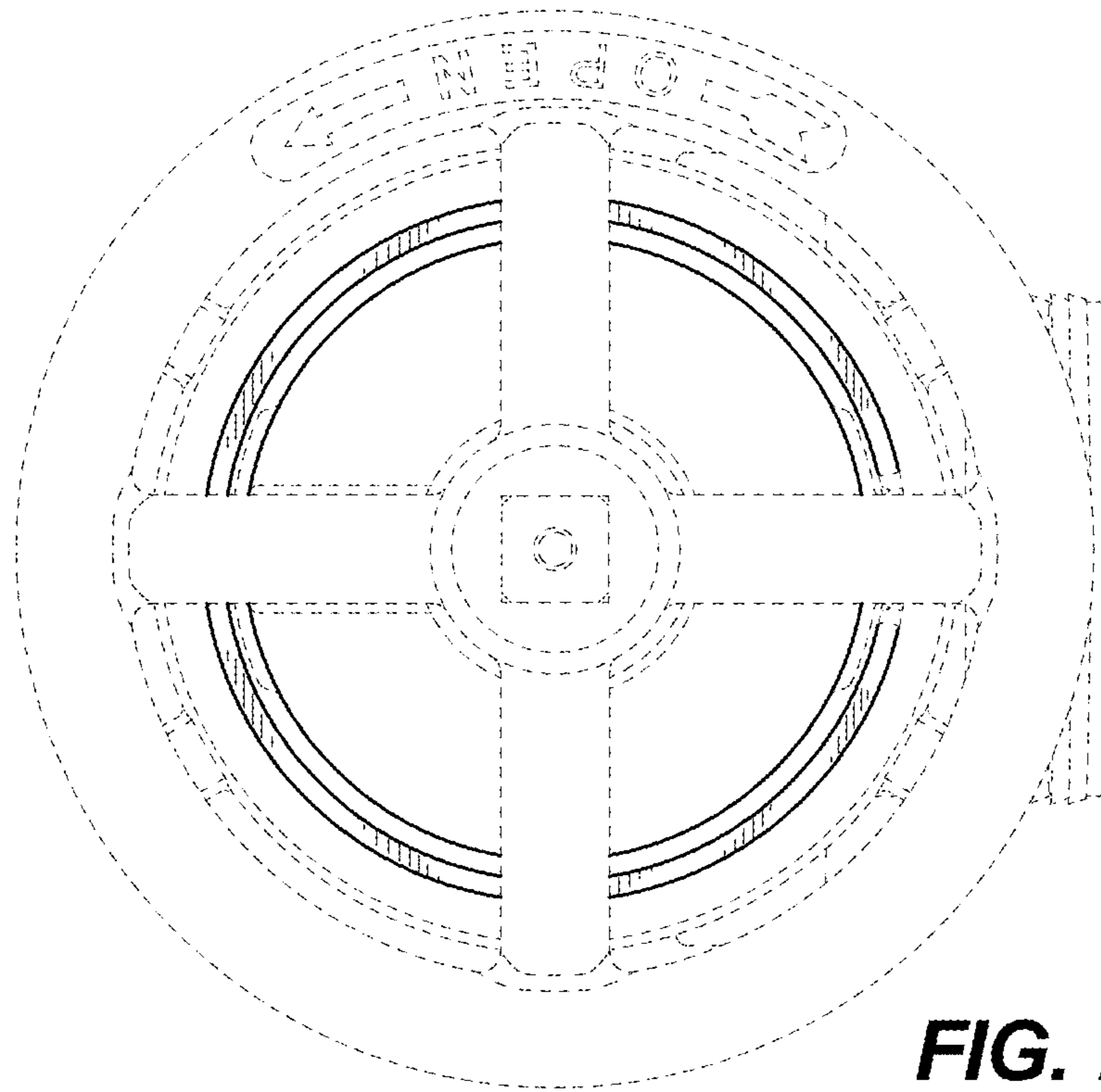


FIG. 2

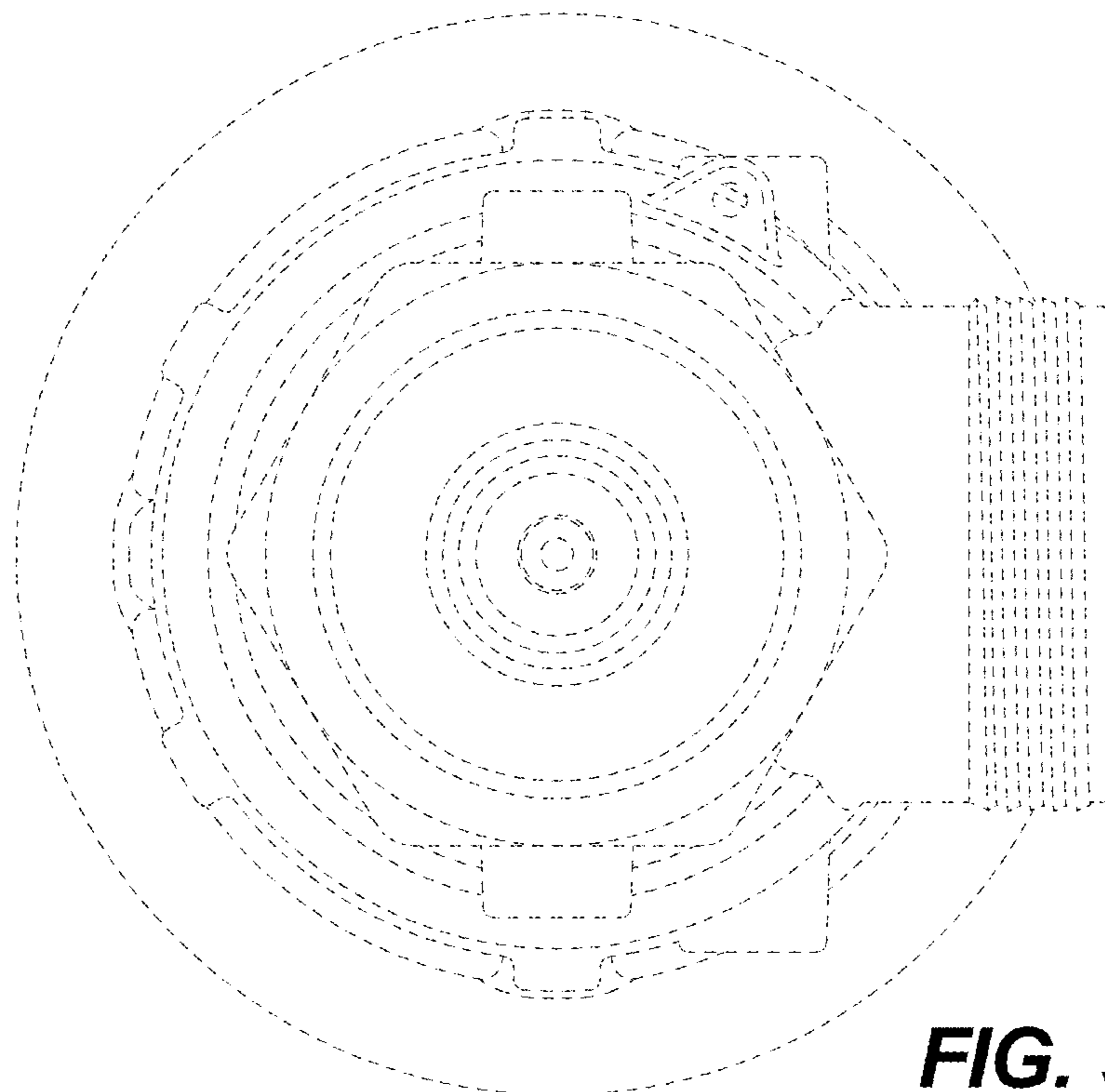


FIG. 3

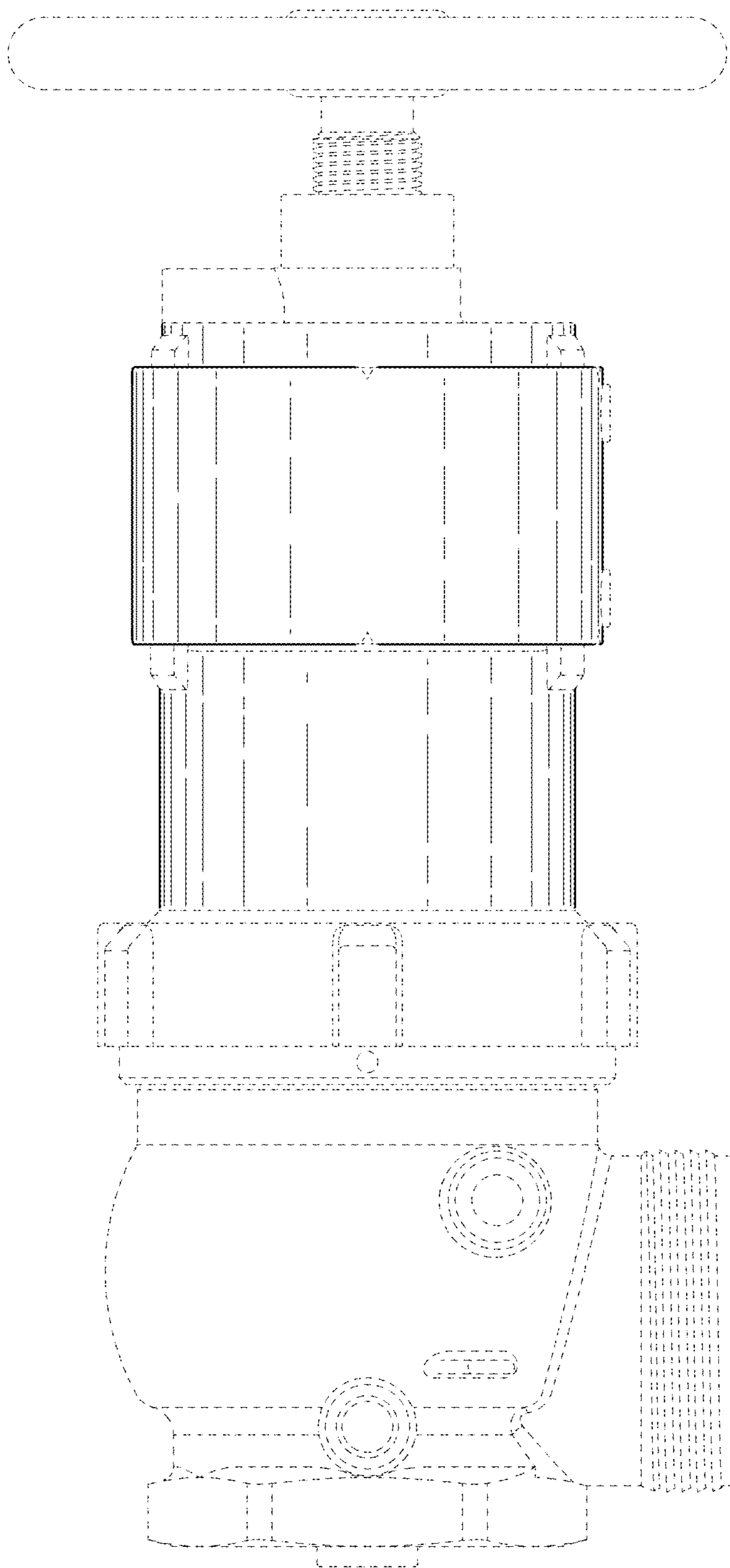


FIG. 4

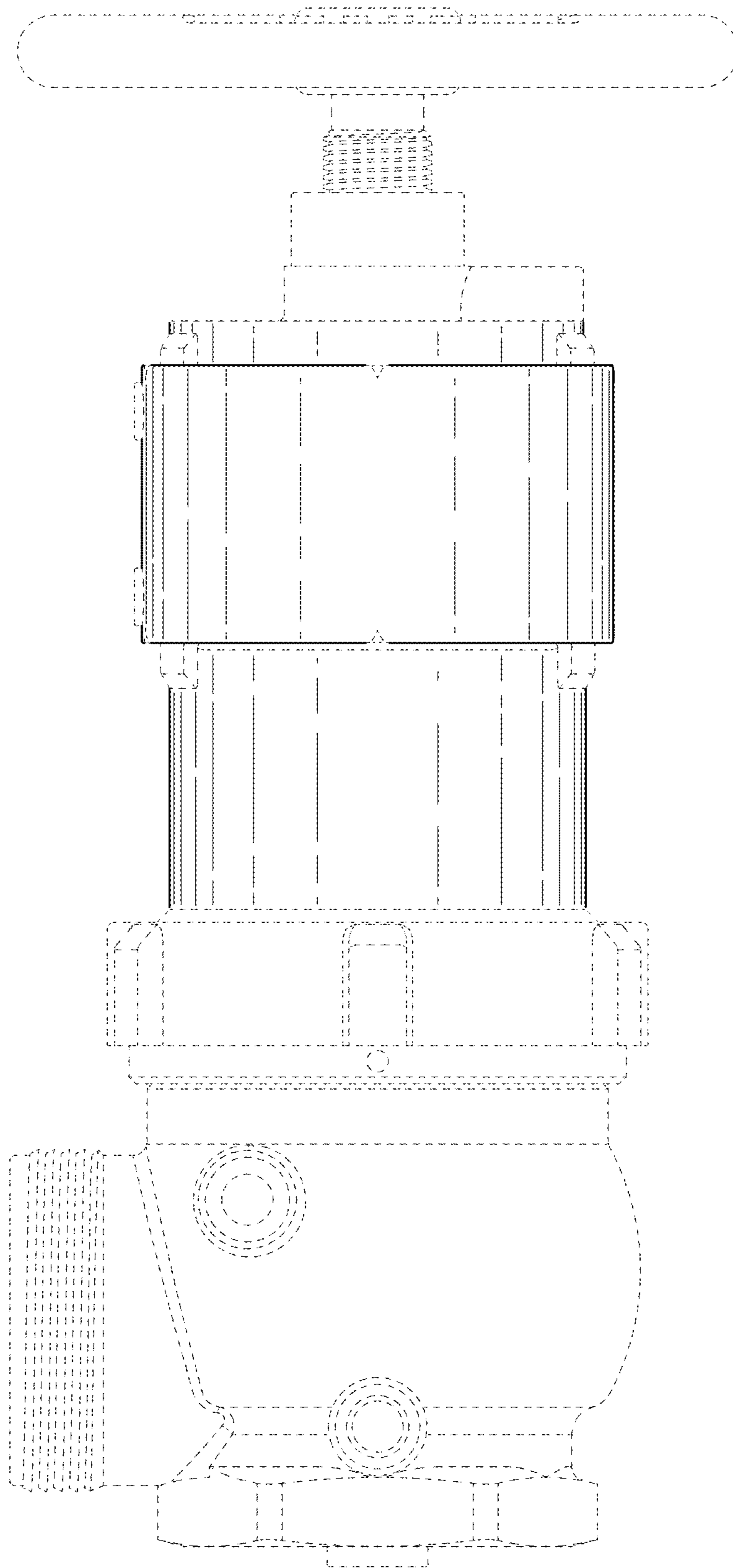


FIG. 5

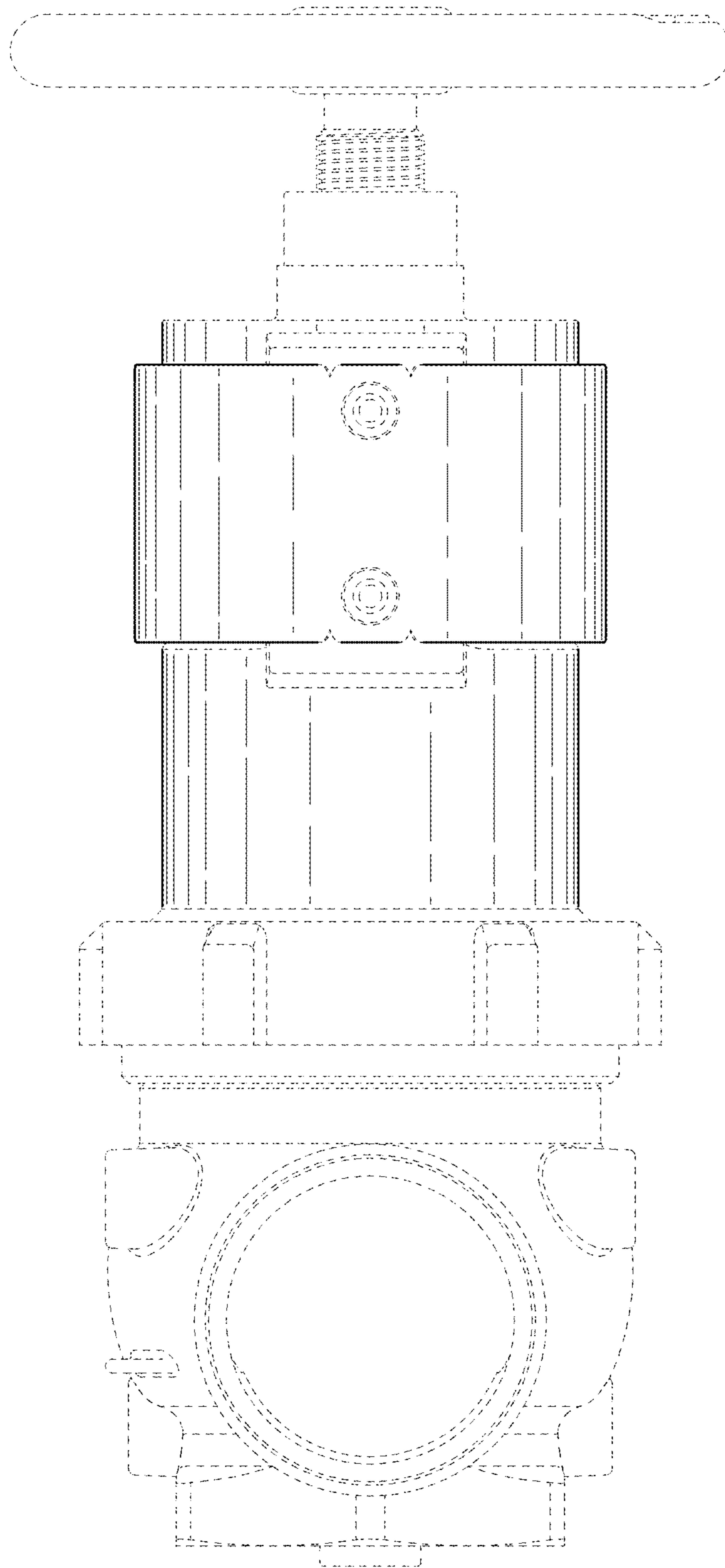


FIG. 6

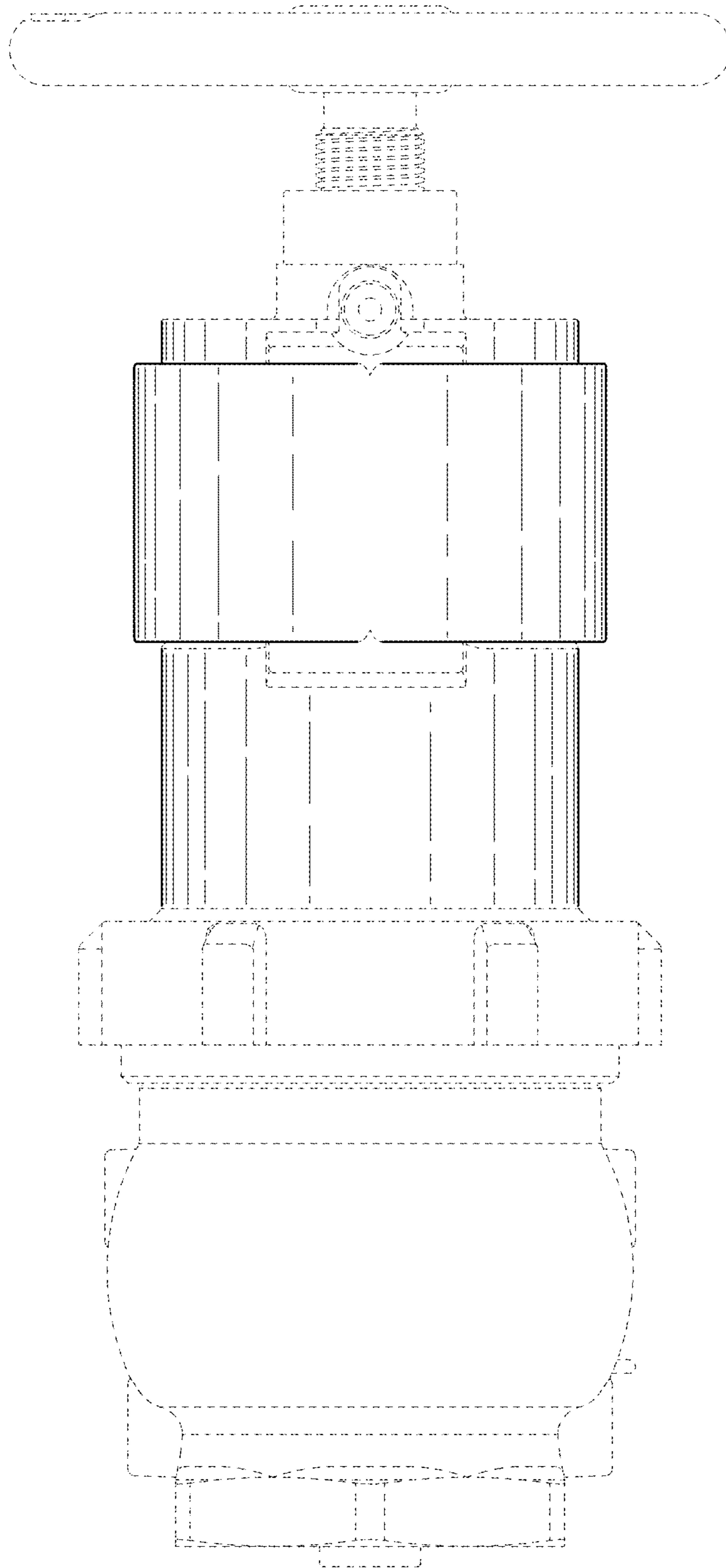


FIG. 7

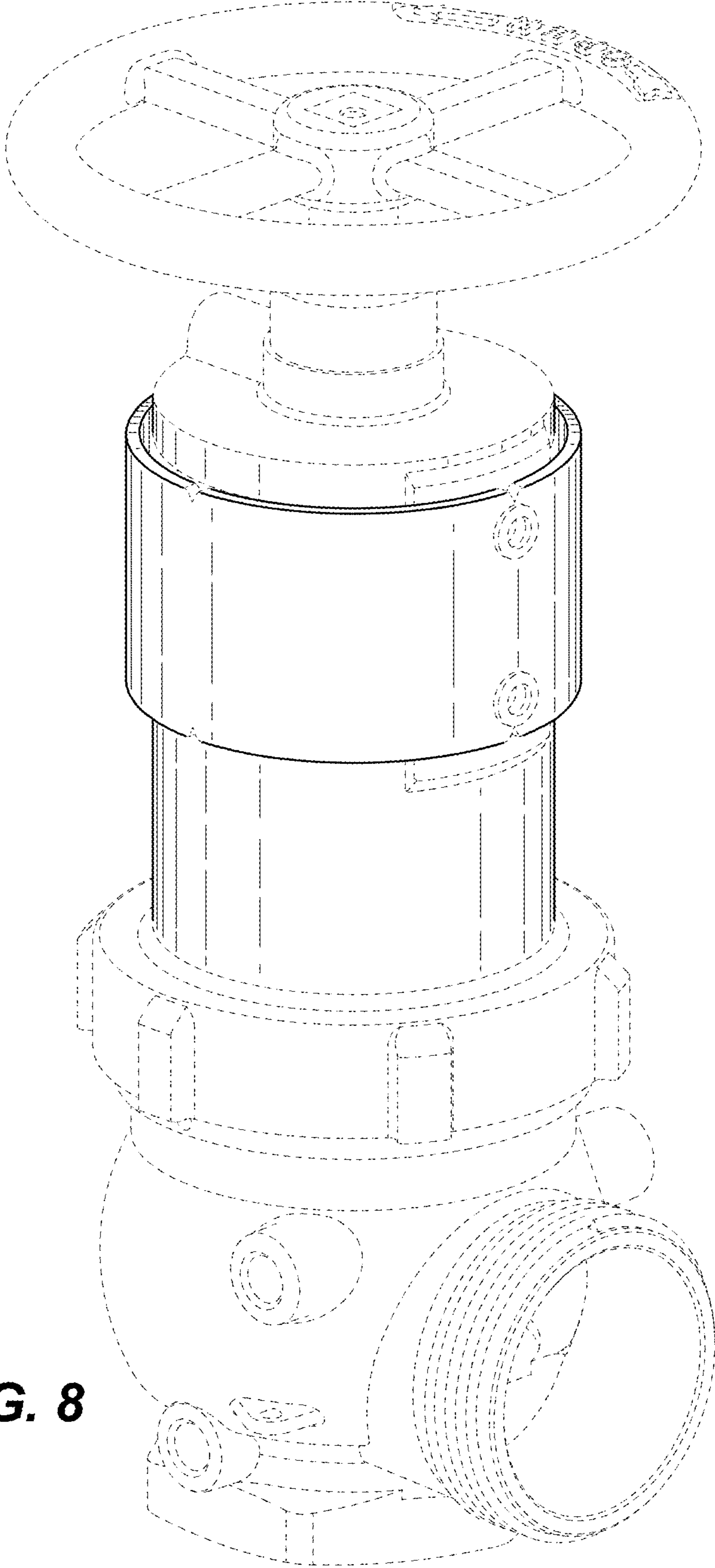


FIG. 8

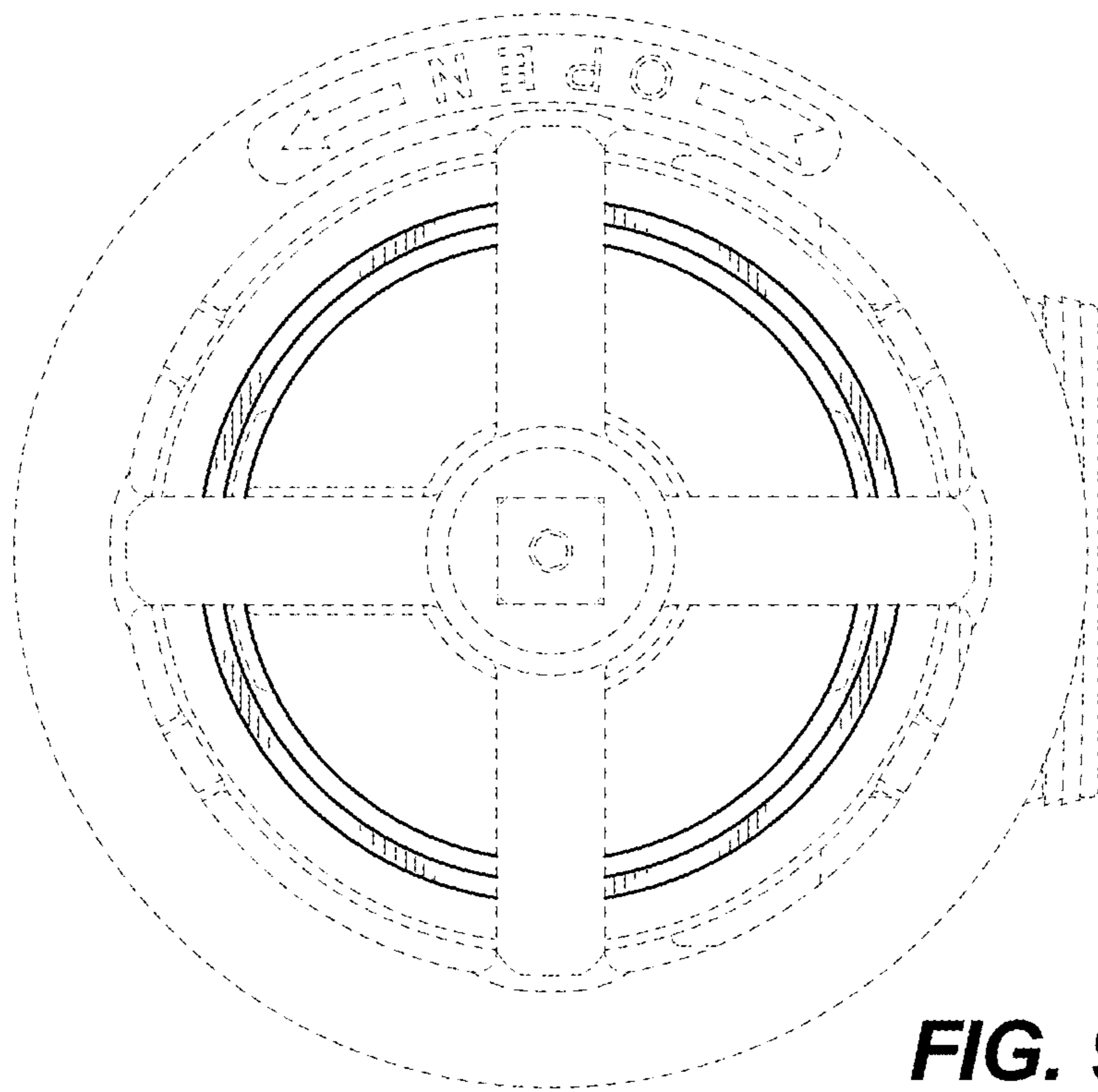


FIG. 9

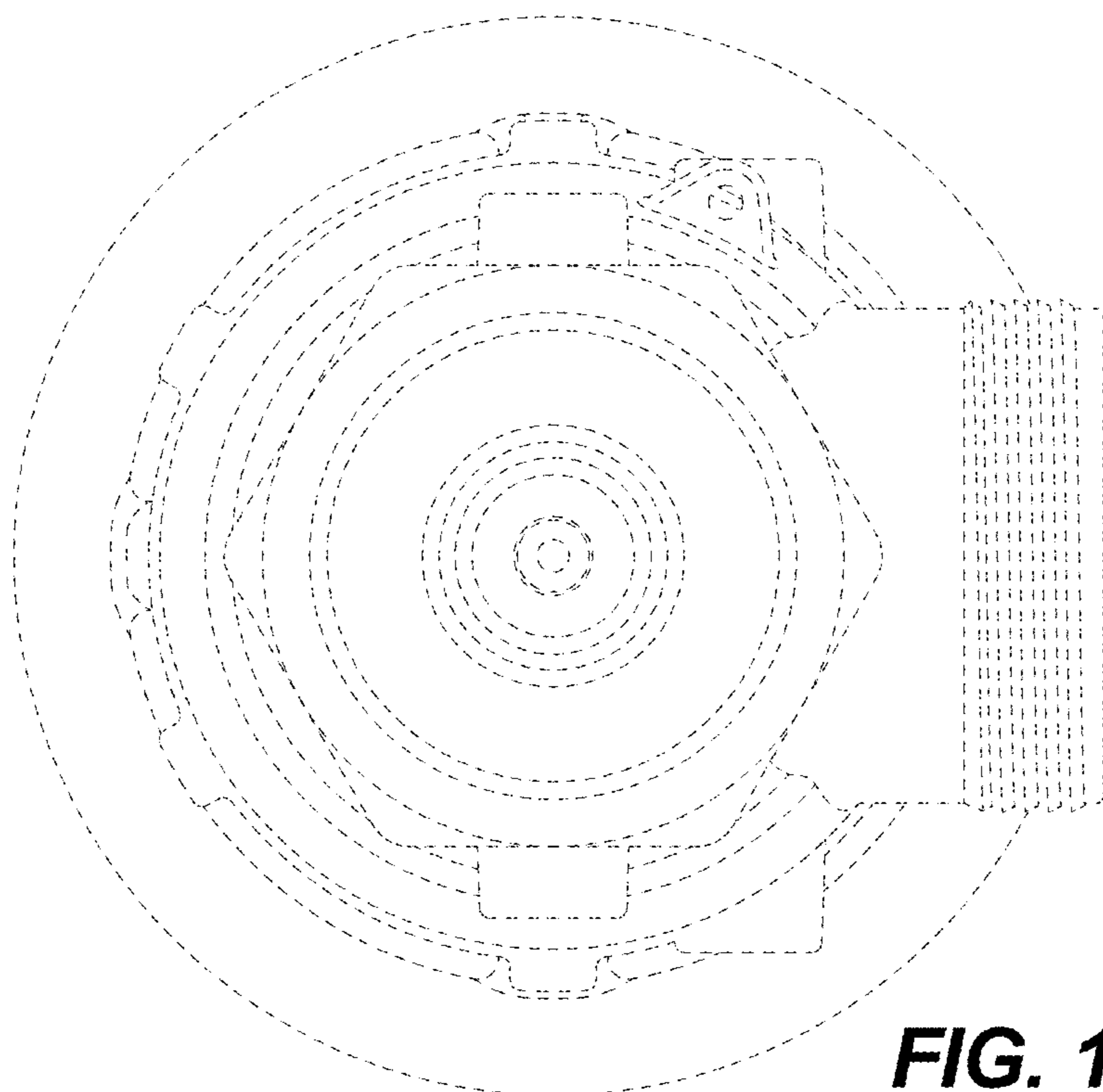


FIG. 10

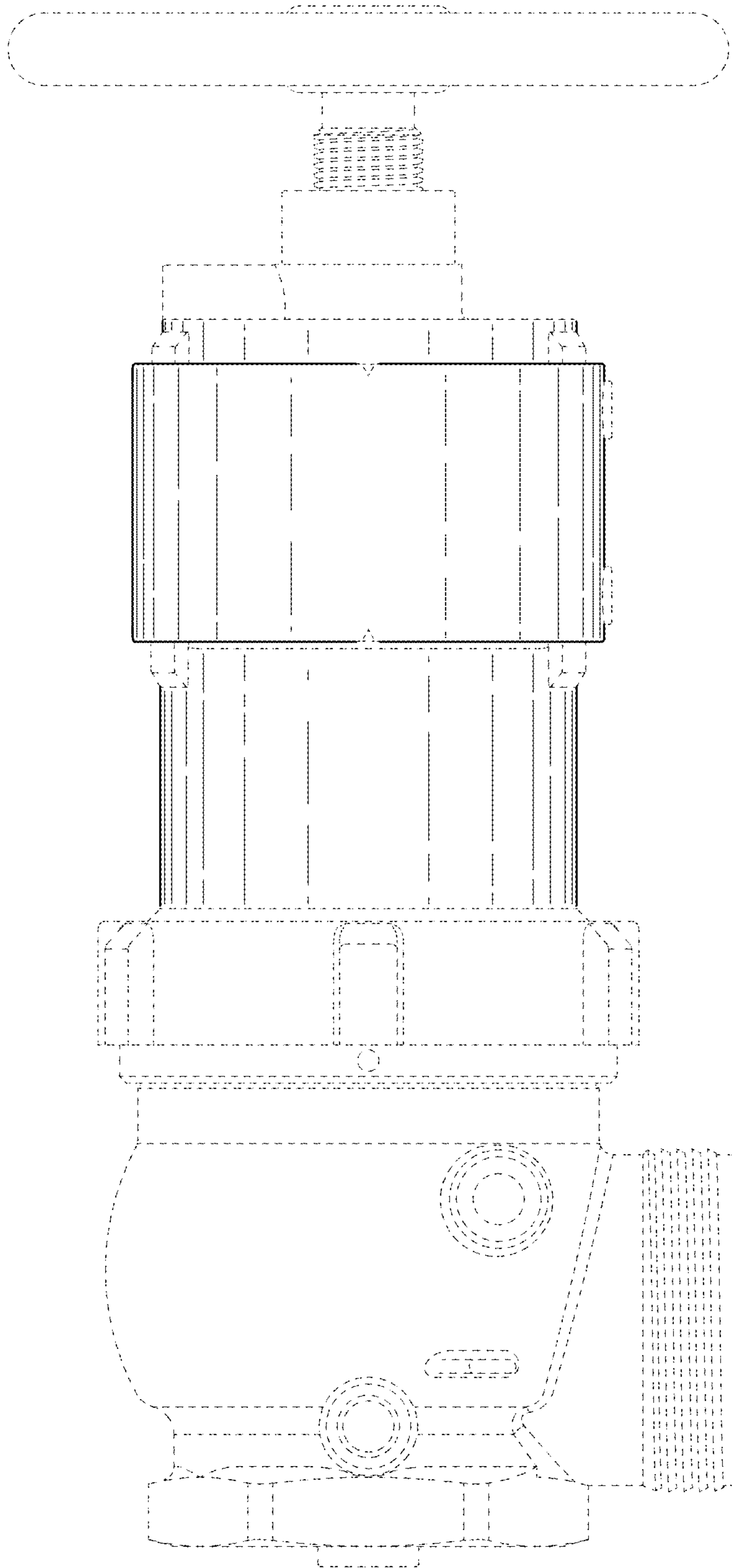


FIG. 11

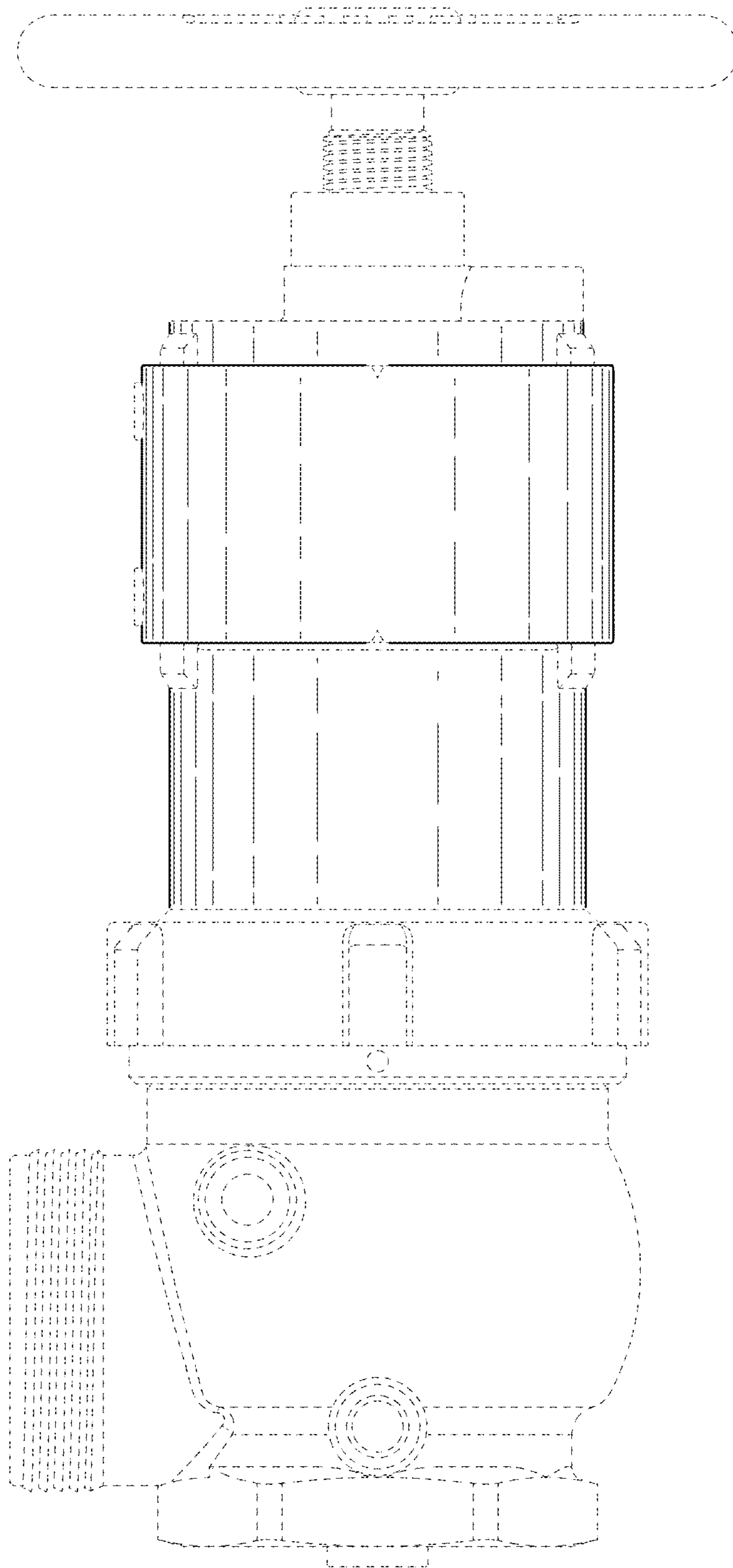


FIG. 12

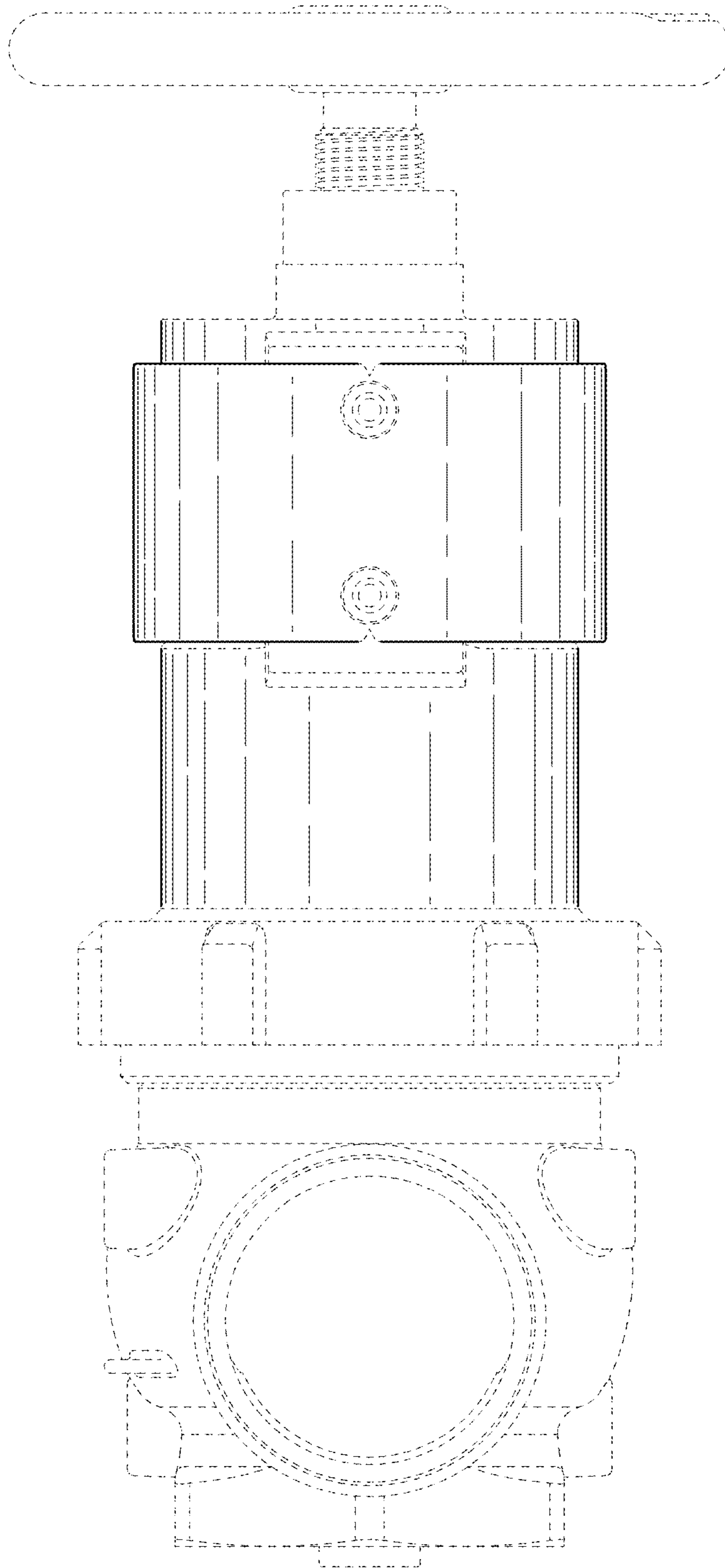


FIG. 13

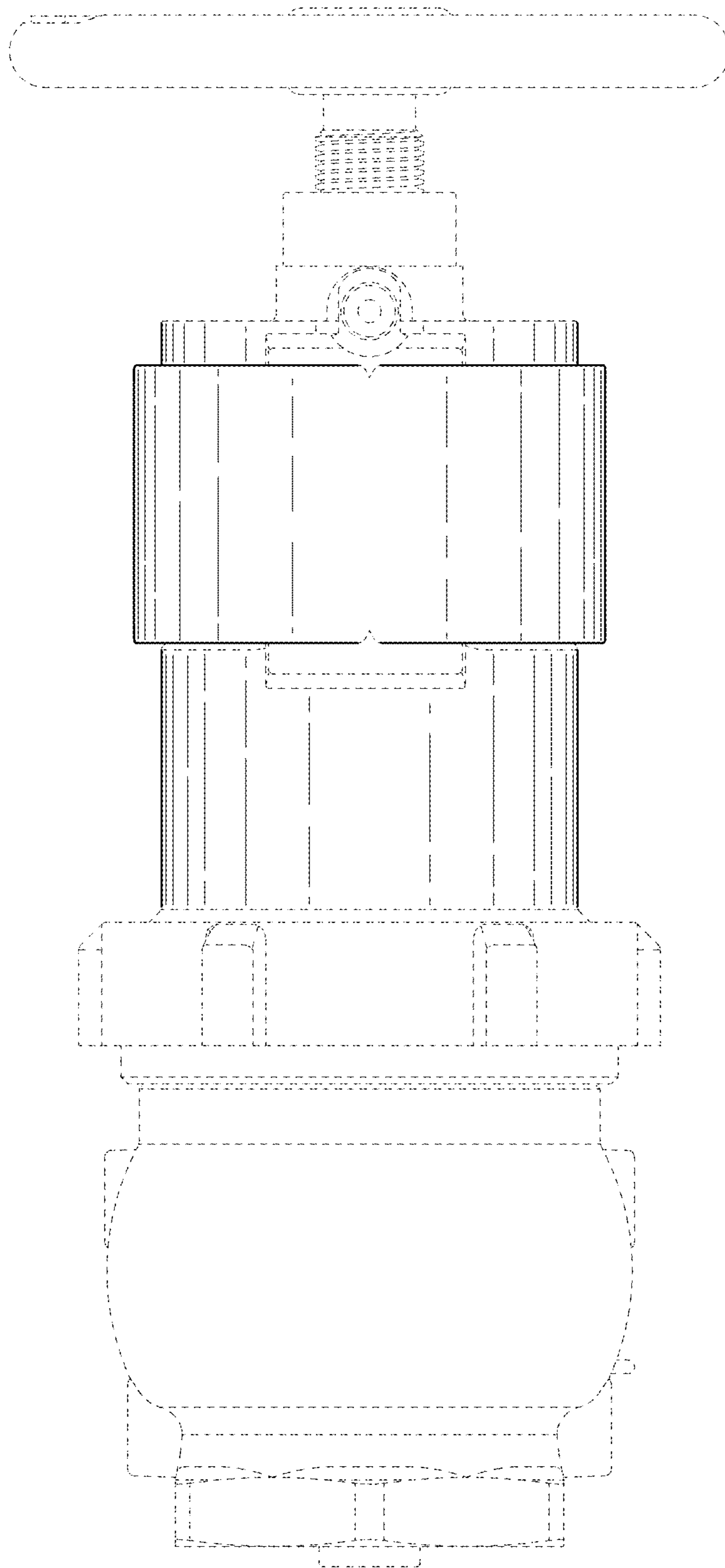


FIG. 14