



US00D986390S

(12) **United States Design Patent** (10) **Patent No.:** **US D986,390 S**
Simard et al. (45) **Date of Patent:** **** May 16, 2023**

(54) **FAUCET**

FOREIGN PATENT DOCUMENTS

(71) Applicant: **Riobel Inc.**, Saint-Jerome (CA)
(72) Inventors: **Eveline Simard**, Montreal (CA);
Sylvain David, Mascouche (CA)

CA 173930 * 2/2018
CN 304635945 * 5/2018
IN 328015-001-0001 * 12/2020

(73) Assignee: **Riobel Inc.**, Saint-Jerome (CA)

(**) Term: **15 Years**

OTHER PUBLICATIONS

(21) Appl. No.: **29/763,629**

American Standard 7755105.002 NextGen Selectronic Integrated Faucet, first available Feb. 23, 2017[online], [site visited Jun. 10, 2022]. Available from internet, URL:<https://www.amazon.com/dp/B06XC3HD7M> (Year: 2017).*

(22) Filed: **Dec. 23, 2020**

(51) **LOC (14) Cl.** **23-01**

(52) **U.S. Cl.**
USPC **D23/255**

(58) **Field of Classification Search**
USPC D23/238-244, 252, 254-255, 257, 499;
D7/398
CPC F16K 31/602; F16K 31/605; F16K 31/607;
E03C 1/0412

See application file for complete search history.

(Continued)

Primary Examiner — David G Muller
Assistant Examiner — Jamaal Rasheed
(74) *Attorney, Agent, or Firm* — Calfee, Halter & Griswold LLP

(57) **CLAIM**

The ornamental design for a faucet, as shown and described.

DESCRIPTION

(56) **References Cited**

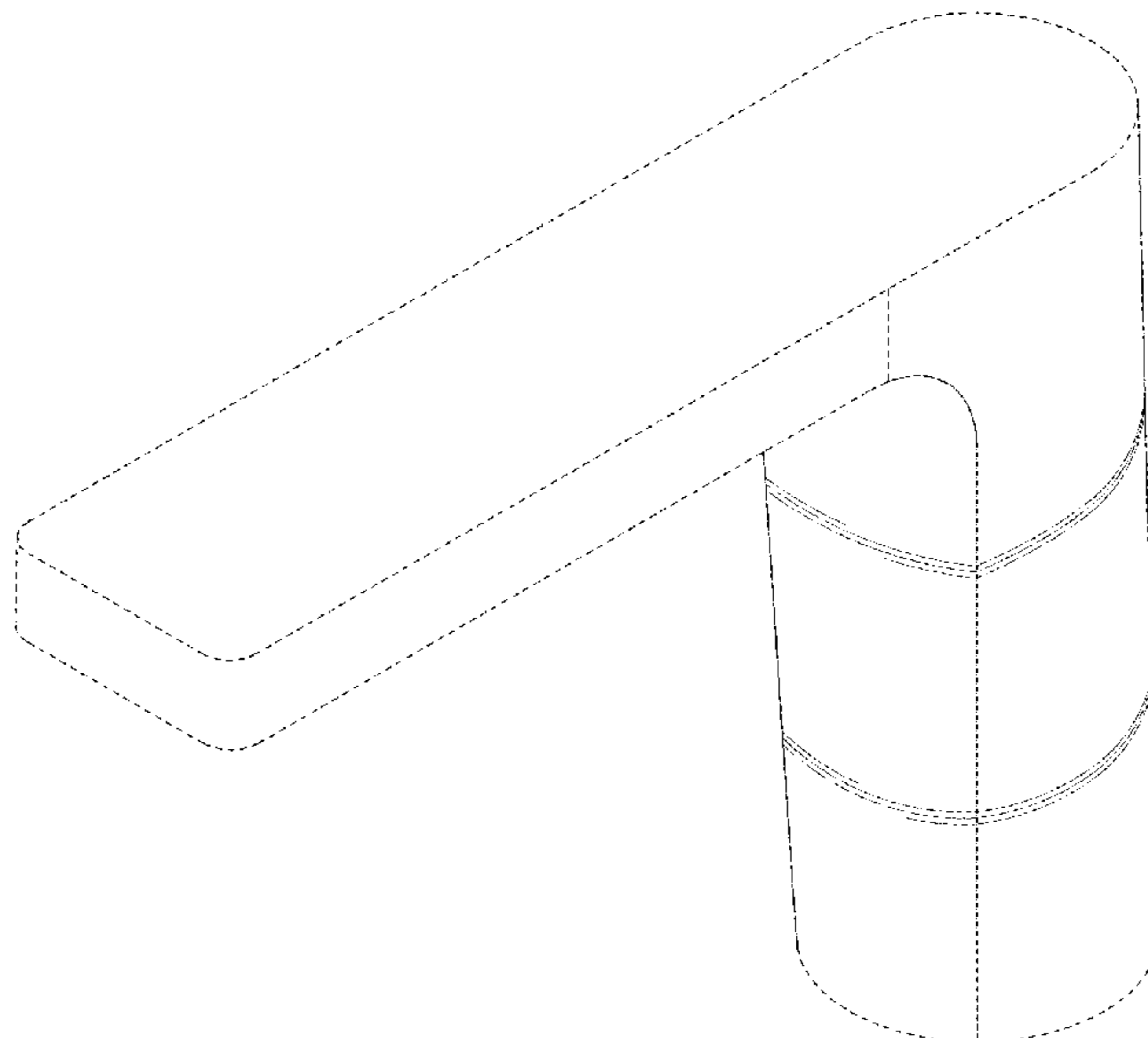
U.S. PATENT DOCUMENTS

D517,169 S 3/2006 Ogata et al.
D534,619 S 1/2007 Garner
D538,401 S 3/2007 Miyamoto
D541,906 S 5/2007 Qing
D548,308 S 8/2007 Hoernig
D581,023 S * 11/2008 Citterio D23/252
D602,121 S 10/2009 Yabe et al.
D615,162 S * 5/2010 Pan D23/255
D640,776 S 6/2011 Flowers et al.
D645,938 S 9/2011 Ando et al.
D667,533 S * 9/2012 Lammel D23/238
D693,438 S 11/2013 Flowers et al.
D693,904 S 11/2013 Hahn et al.
D726,880 S 4/2015 Kington et al.

(Continued)

FIG. 1 is a front, right perspective view of a faucet of the new design;
FIG. 2 is a front elevational view of the faucet of FIG. 1;
FIG. 3 is a rear elevational view of the faucet of FIG. 1;
FIG. 4 is a left side elevational view of the faucet of FIG. 1, the right side elevational view being a mirror image thereof;
FIG. 5 is a top plan view of the faucet of FIG. 1;
FIG. 6 is a bottom plan view of the faucet of FIG. 1;
FIG. 7 is a cross-sectional view of the faucet of FIG. 1, taken along the line 7-7 in FIG. 4, showing the contour of a portion of the exterior surface of the faucet; and,
FIG. 8 is a cross-sectional view of the faucet of FIG. 1, taken along the line 8-8 in FIG. 4, showing the contour of another portion of the exterior surface of the faucet.
The portions of the Figures shown in broken lines are not part of the claimed design.

1 Claim, 5 Drawing Sheets



(56)

References Cited

U.S. PATENT DOCUMENTS

D767,721 S 9/2016 Yoshioka
D767,727 S 9/2016 Eads
D805,607 S * 12/2017 Streng D23/240
D809,103 S 1/2018 Schoenherr et al.
D809,629 S * 2/2018 Streng D23/240
D817,452 S 5/2018 Ravassa et al.
D830,515 S 10/2018 L'Henaff et al.
D831,166 S * 10/2018 Garuti D23/255
D913,432 S * 3/2021 Ando D23/238
D951,396 S * 5/2022 Diefenbach D23/238
2021/0207349 A1 * 7/2021 Ukigai C23G 1/14

OTHER PUBLICATIONS

Trustmi Brushed Gold Bathroom Faucet , first available Jul. 21, 2020[online], [site visited Jun. 12, 2022]. Available from internet, URL:<<https://www.amazon.com/dp/B08DCPWDZV>> (Year: 2020).*

Author unknown, Hansgrohe Metropol Faucets product literature, the products shown in the product literature are believed to have been publicly available prior to Dec. 23, 2020 (4 pages).

Author unknown, Hansgrohe AXOR Citterio M Faucet product literature, the product shown in the product literature is believed to have been publicly available prior to Dec. 23, 2020 (1 page).

Author unknown, Gessi Rettangolo Faucets and Handle product literature, the products shown in the product literature are believed to have been publicly available prior to Dec. 23, 2020 (3 pages).

Author unknown, Gessi Rilievo Faucets product literature, the products shown in the product literature are believed to have been publicly available prior to Dec. 23, 2020 (2 pages).

* cited by examiner

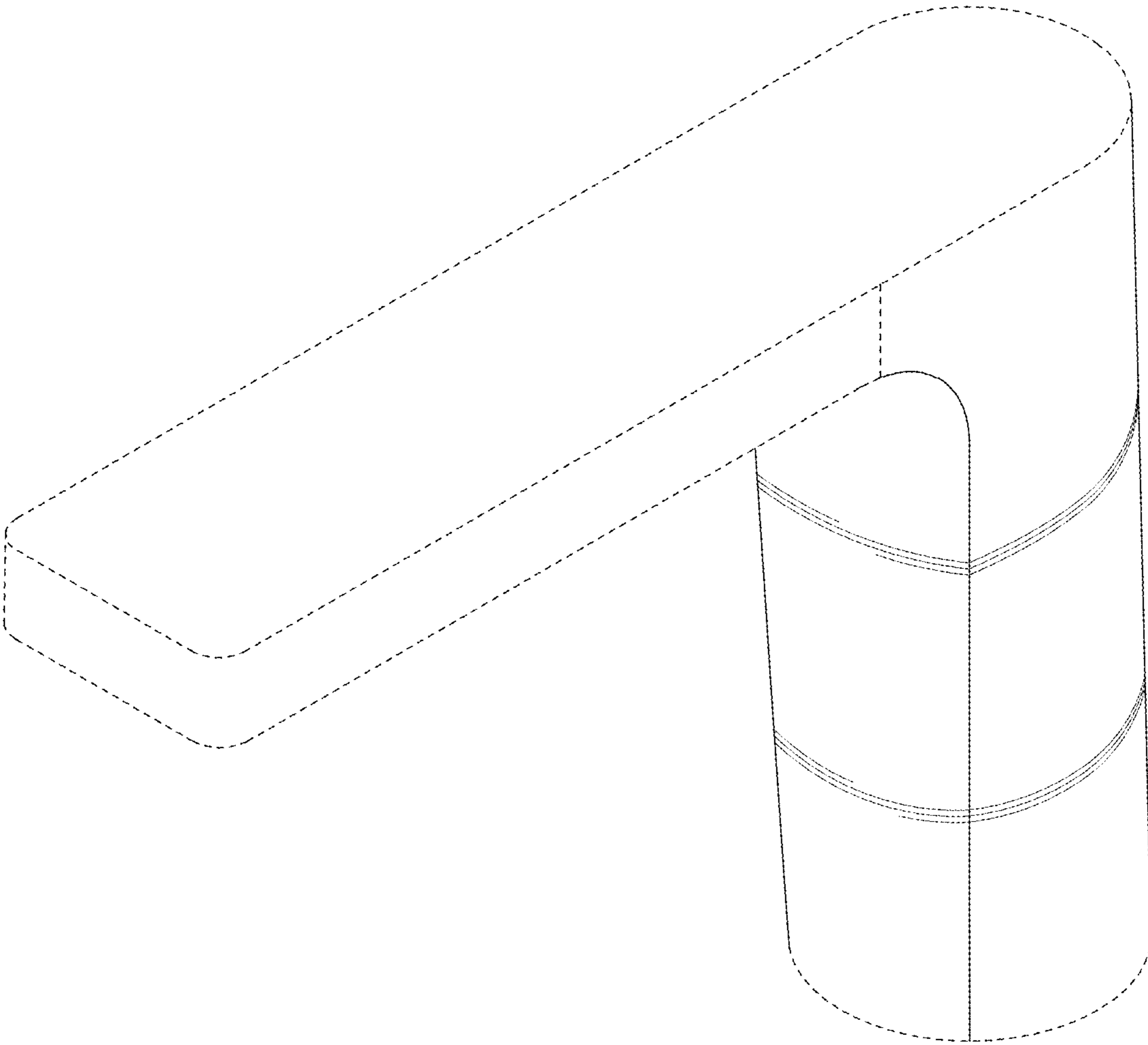


FIG. 1

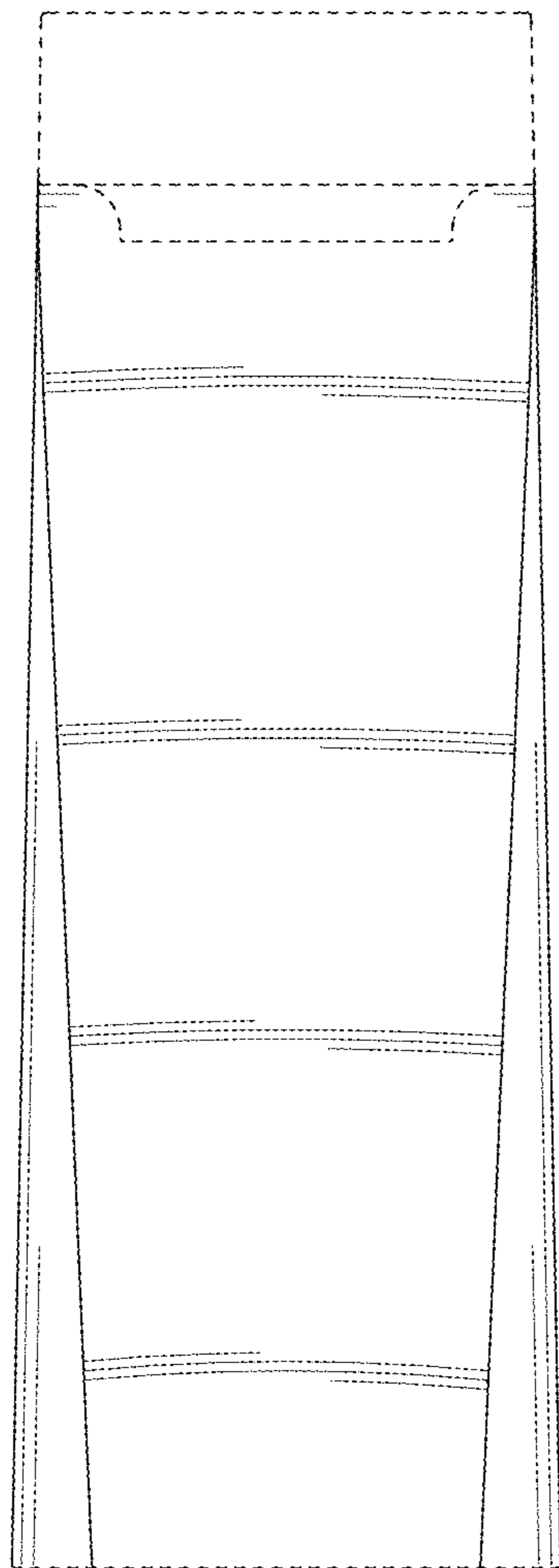


FIG. 2

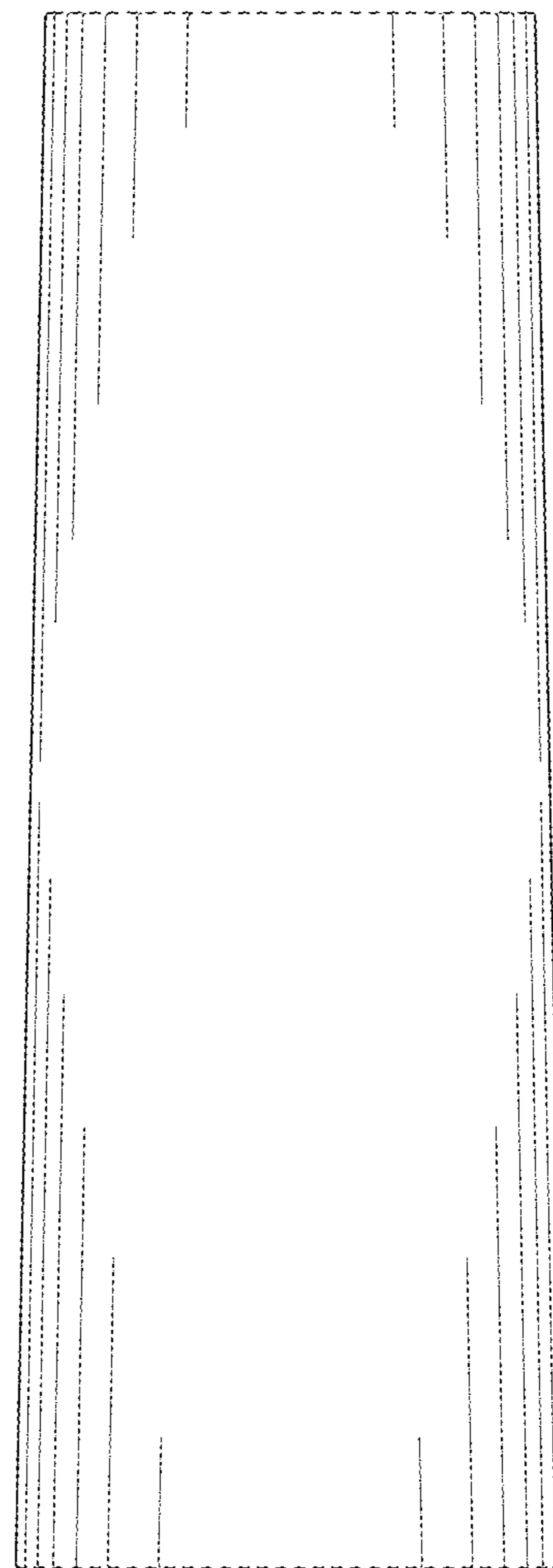


FIG. 3

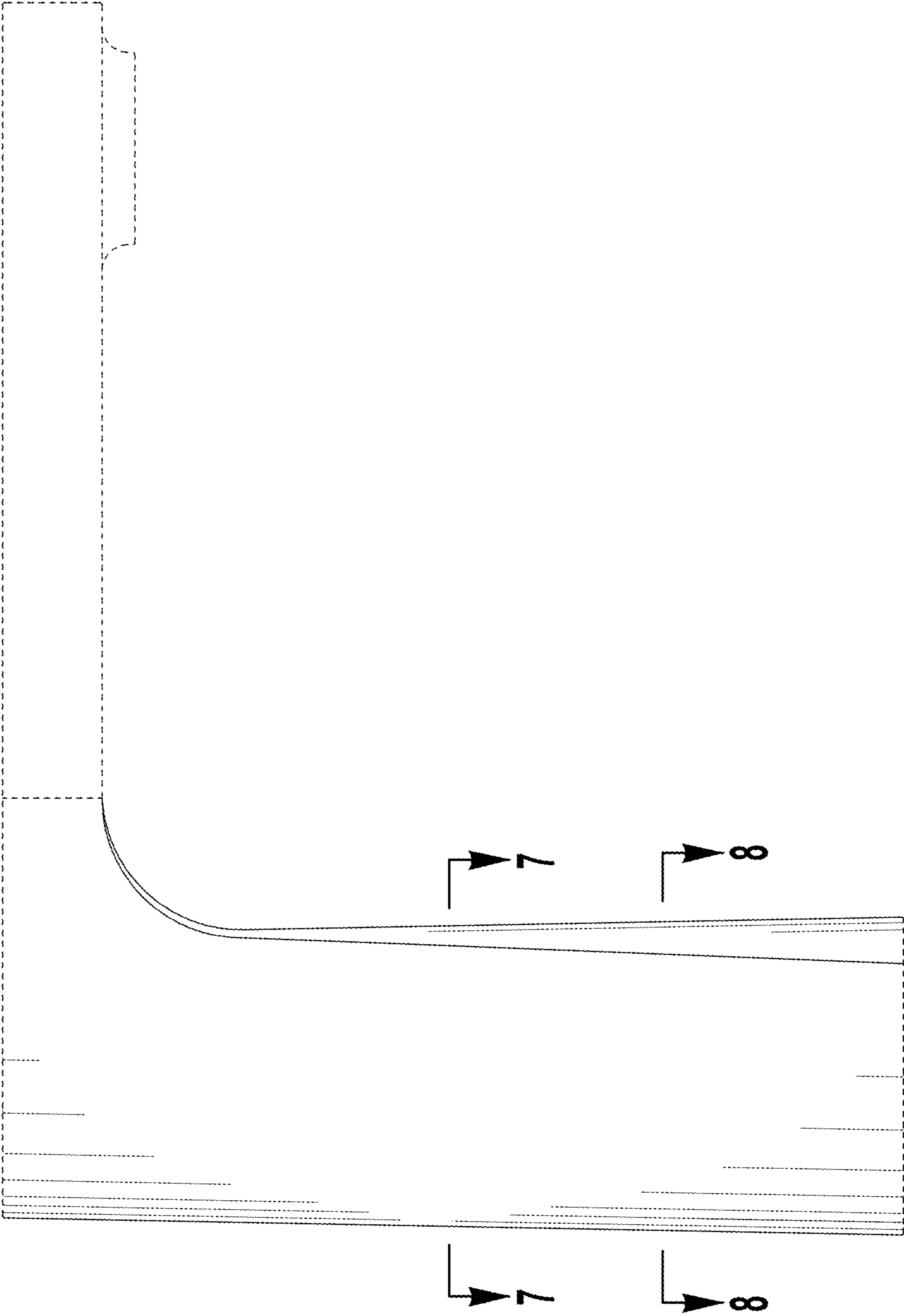


FIG. 4

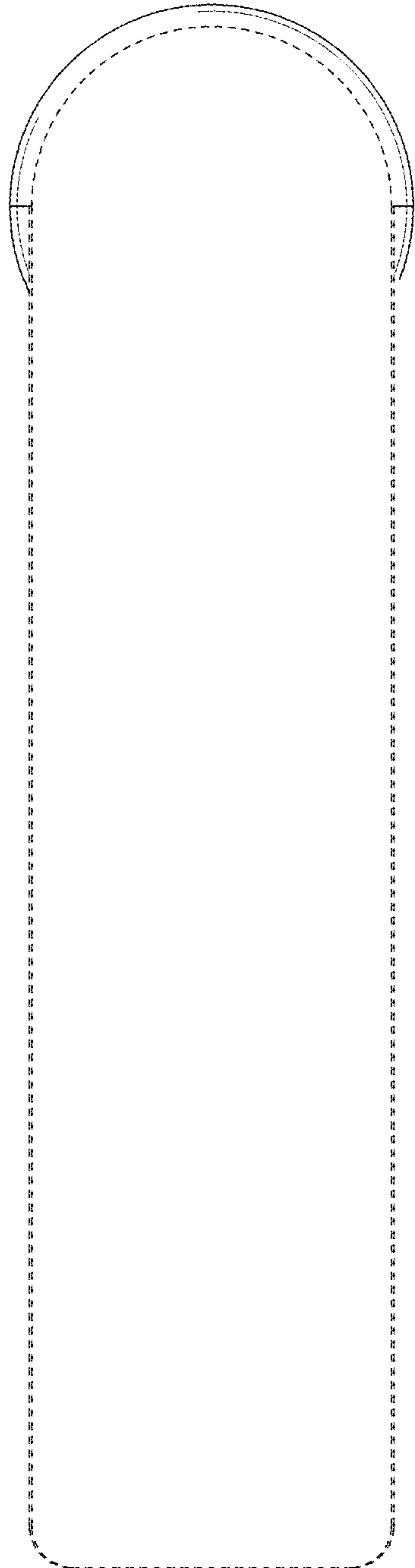


FIG. 5

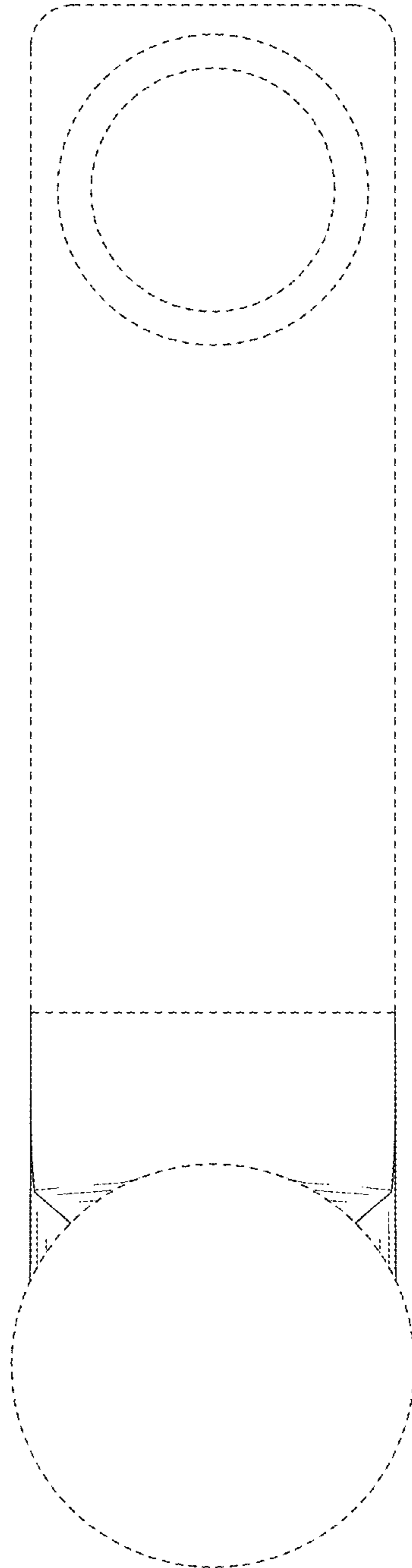


FIG. 6

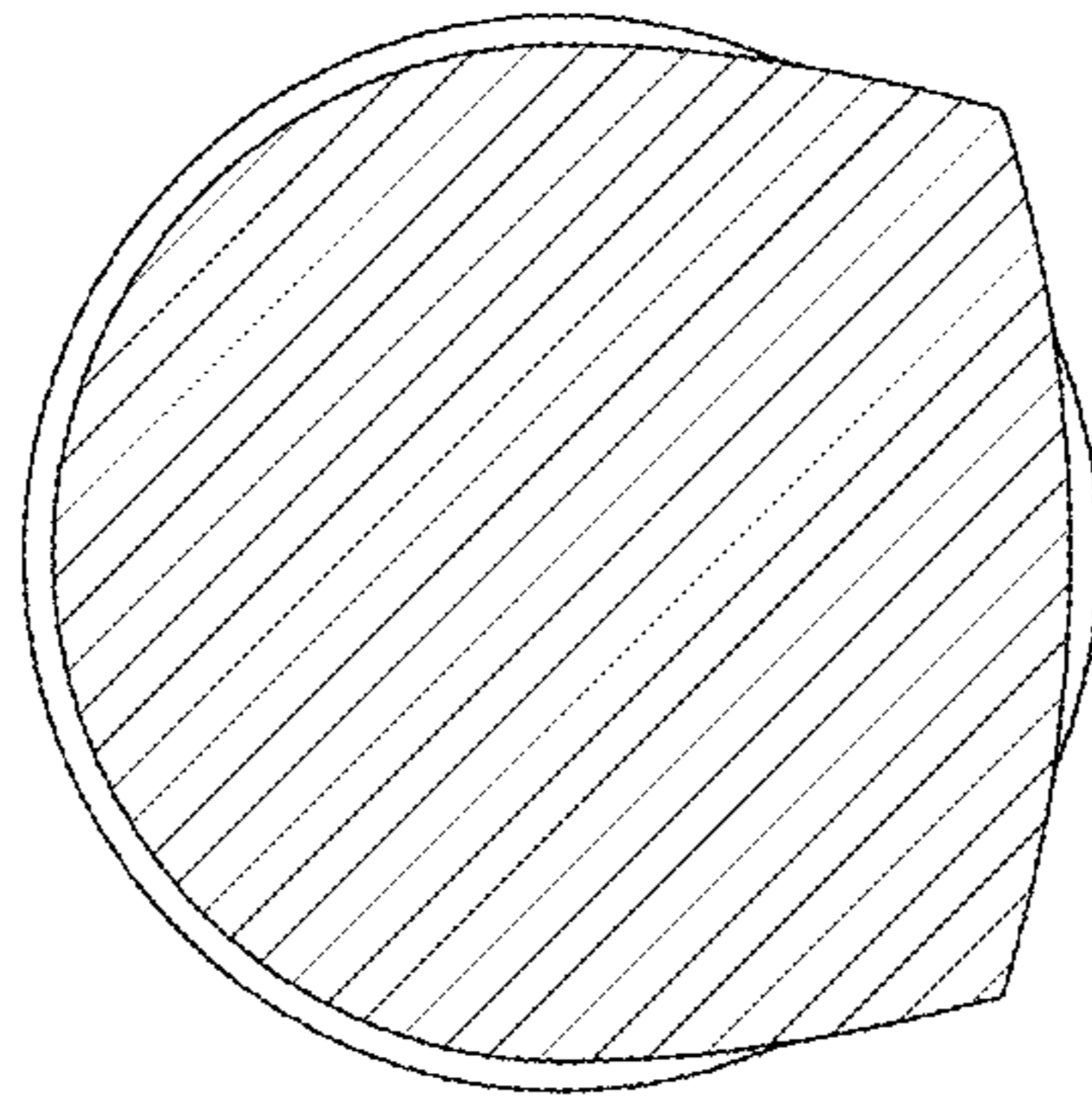


FIG. 7

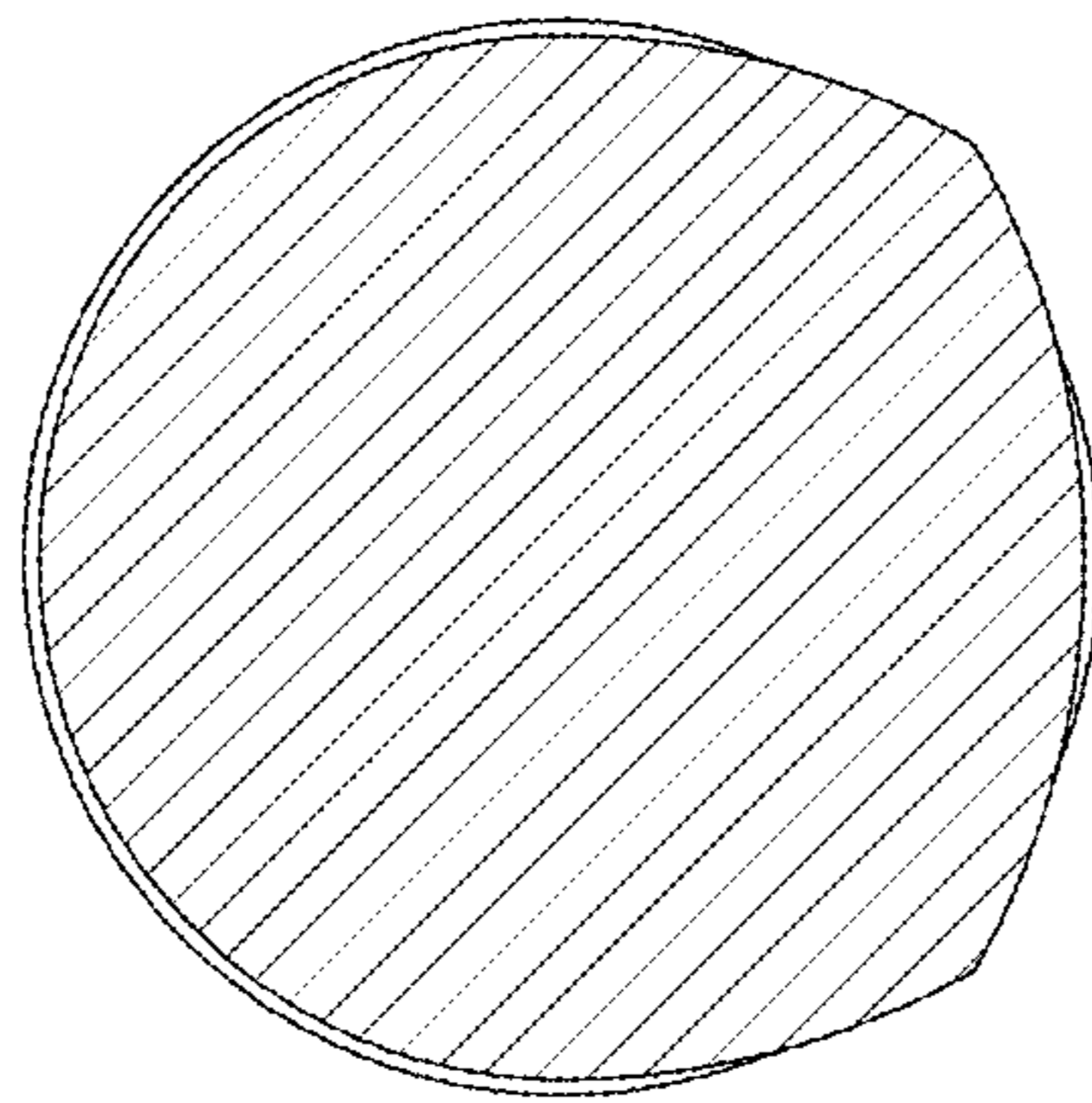


FIG. 8