



US00D986388S

(12) **United States Design Patent** (10) **Patent No.:** **US D986,388 S**
Garland (45) **Date of Patent:** **** May 16, 2023**

(54) **FAUCET HANDLE**

D811,545 S * 2/2018 Garland D23/252
 D812,197 S * 3/2018 Garland D23/252
 D979,715 S * 2/2023 Feng D23/241

(71) Applicant: **DELTA FAUCET COMPANY,**
Indianapolis, IN (US)

* cited by examiner

(72) Inventor: **Celine Kwok Garland,** Zionsville, IN
(US)

Primary Examiner — Robert A Delehanty

(74) *Attorney, Agent, or Firm* — Jeffrey L. Doyle

(73) Assignee: **DELTA FAUCET COMPANY,**
Indianapolis, IN (US)

(**) Term: **15 Years**

(57) **CLAIM**

(21) Appl. No.: **29/810,304**

The ornamental design for a faucet handle, as shown and described.

(22) Filed: **Oct. 4, 2021**

(51) **LOC (14) Cl.** **23-01**

(52) **U.S. Cl.**

DESCRIPTION

USPC **D23/252**

(58) **Field of Classification Search**

USPC D23/238–243, 250, 252, 254;
D8/307–308

FIG. 1 is a front perspective view of a faucet handle showing my new design;
 FIG. 2 is a rear perspective view thereof;
 FIG. 3 is a front elevational view thereof;
 FIG. 4 is a left side view thereof;
 FIG. 5 is a rear view thereof;
 FIG. 6 is a right side view thereof;
 FIG. 7 is a top plan view thereof; and,
 FIG. 8 is a bottom view thereof.

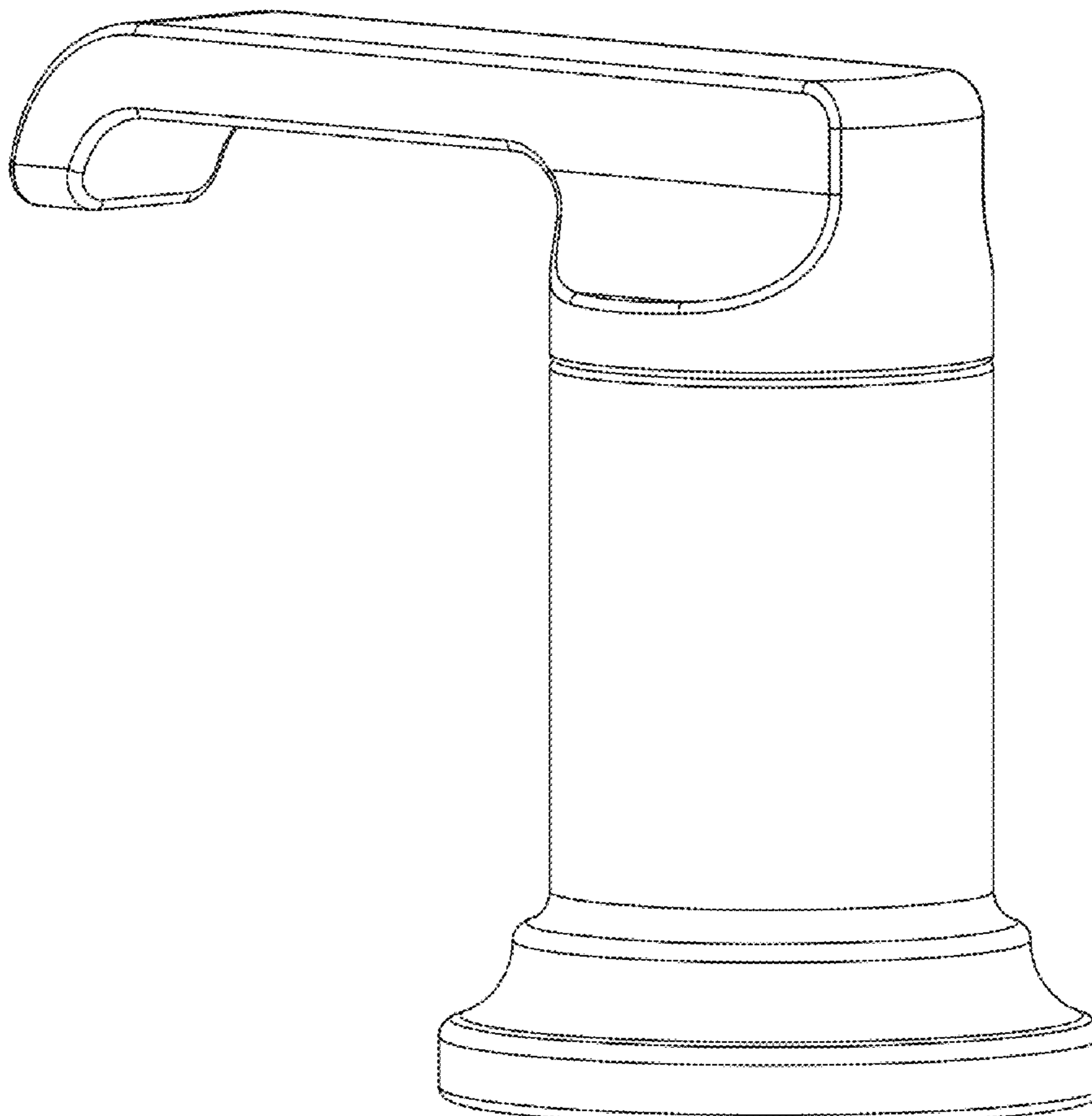
See application file for complete search history.

(56) **References Cited**

U.S. PATENT DOCUMENTS

D800,269 S * 10/2017 Garland D23/252
 D800,271 S * 10/2017 Andrew D23/252

1 Claim, 4 Drawing Sheets



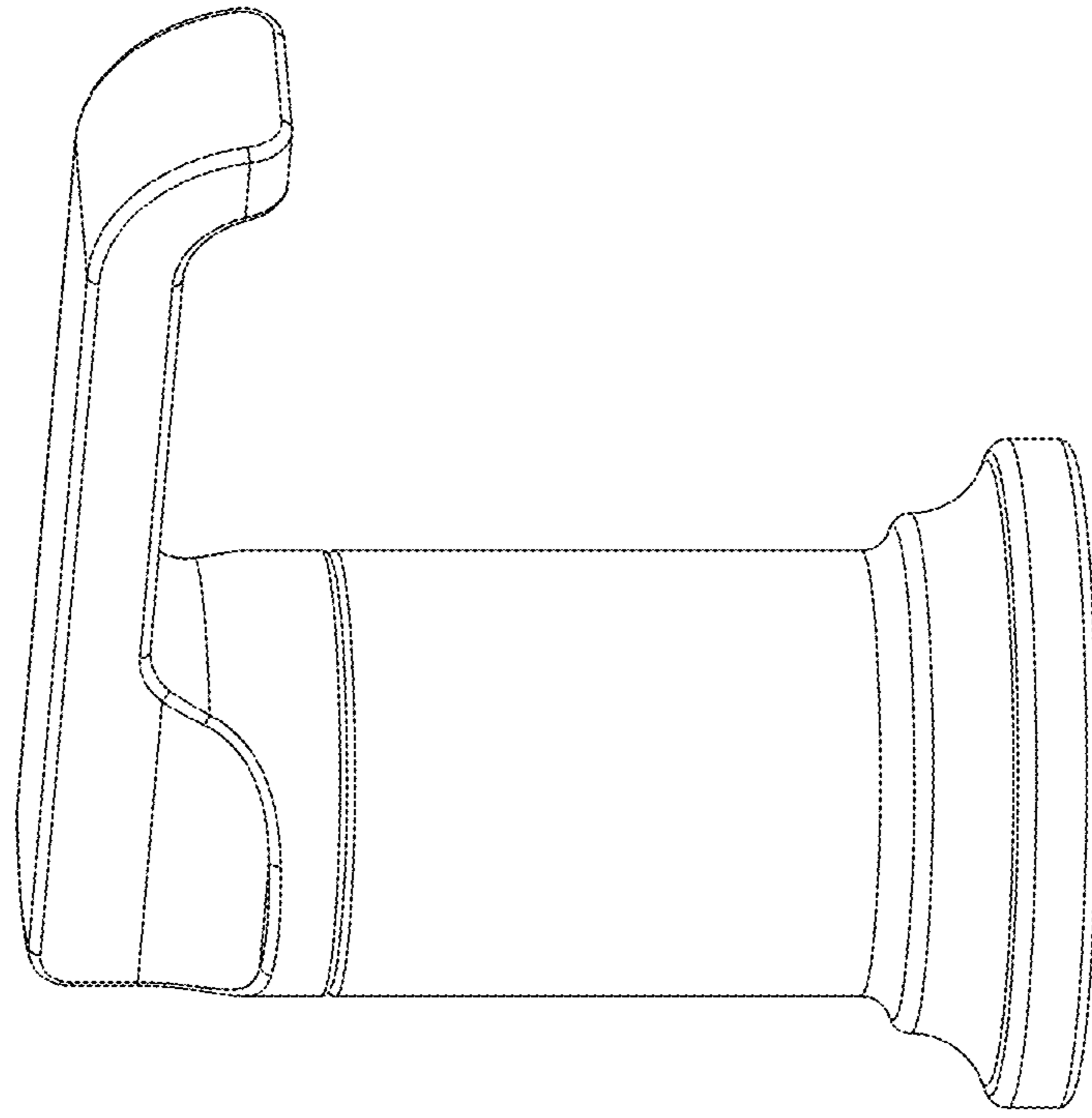


FIG - 2

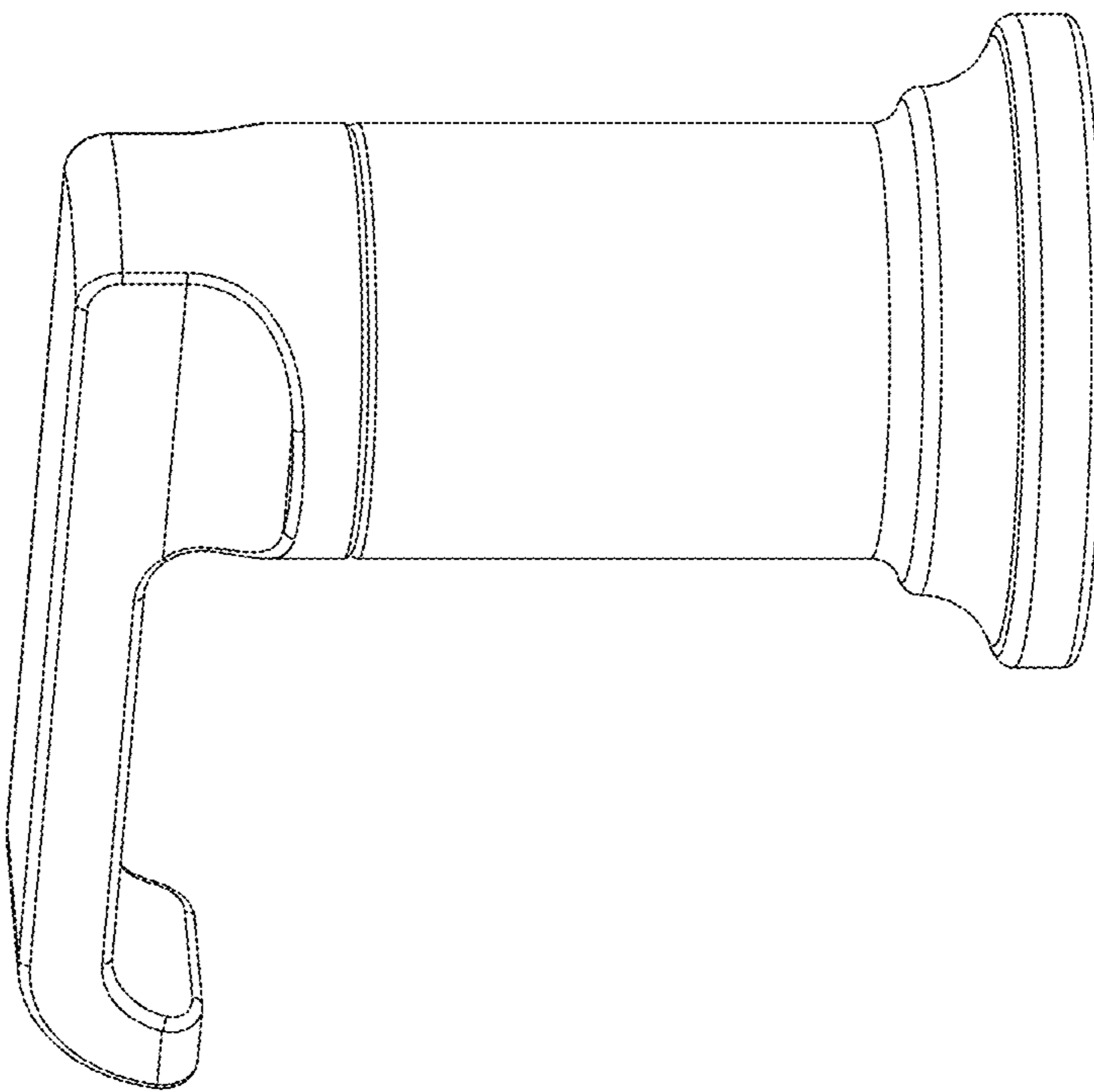


FIG - 1

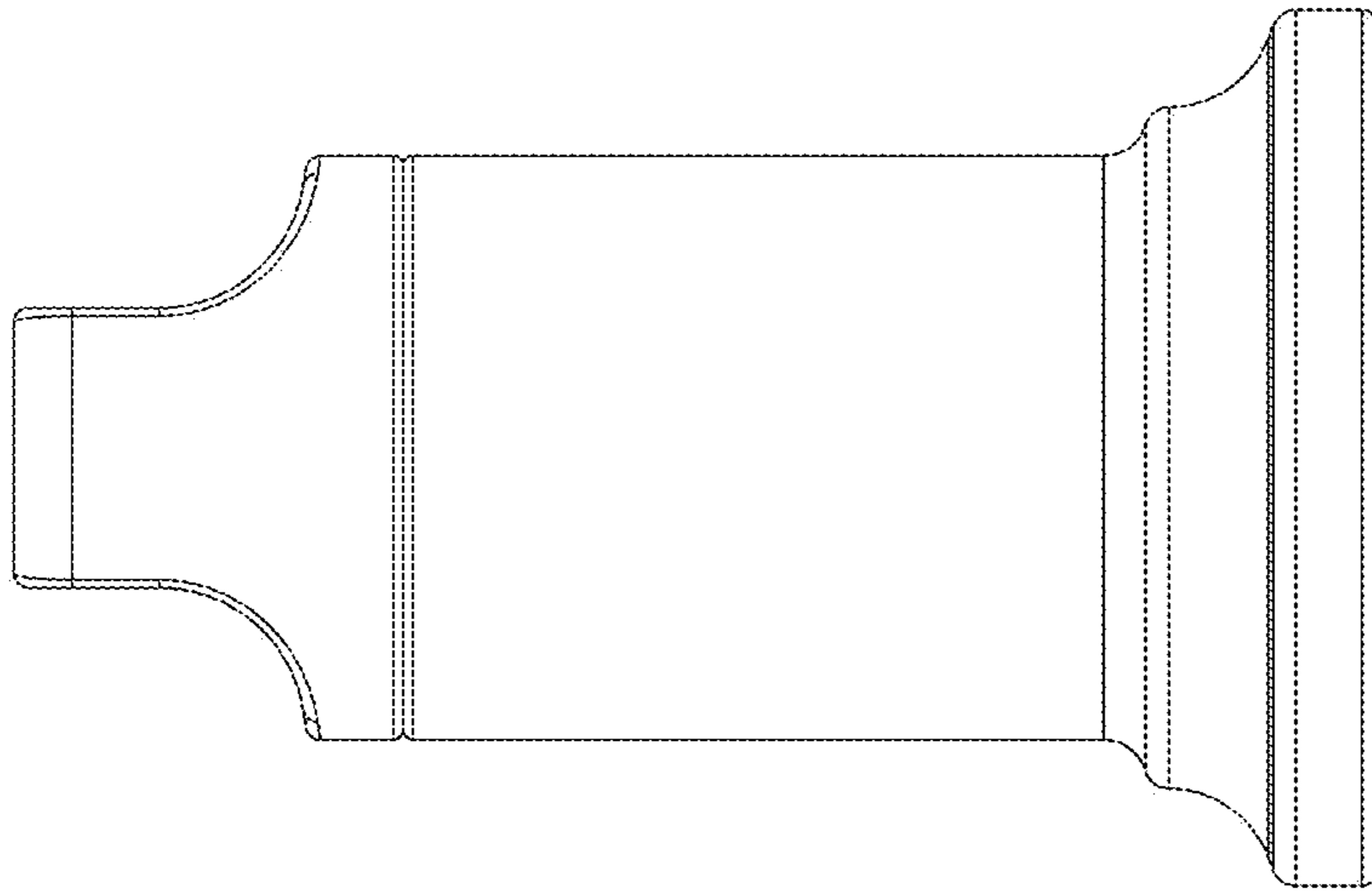


FIG - 4

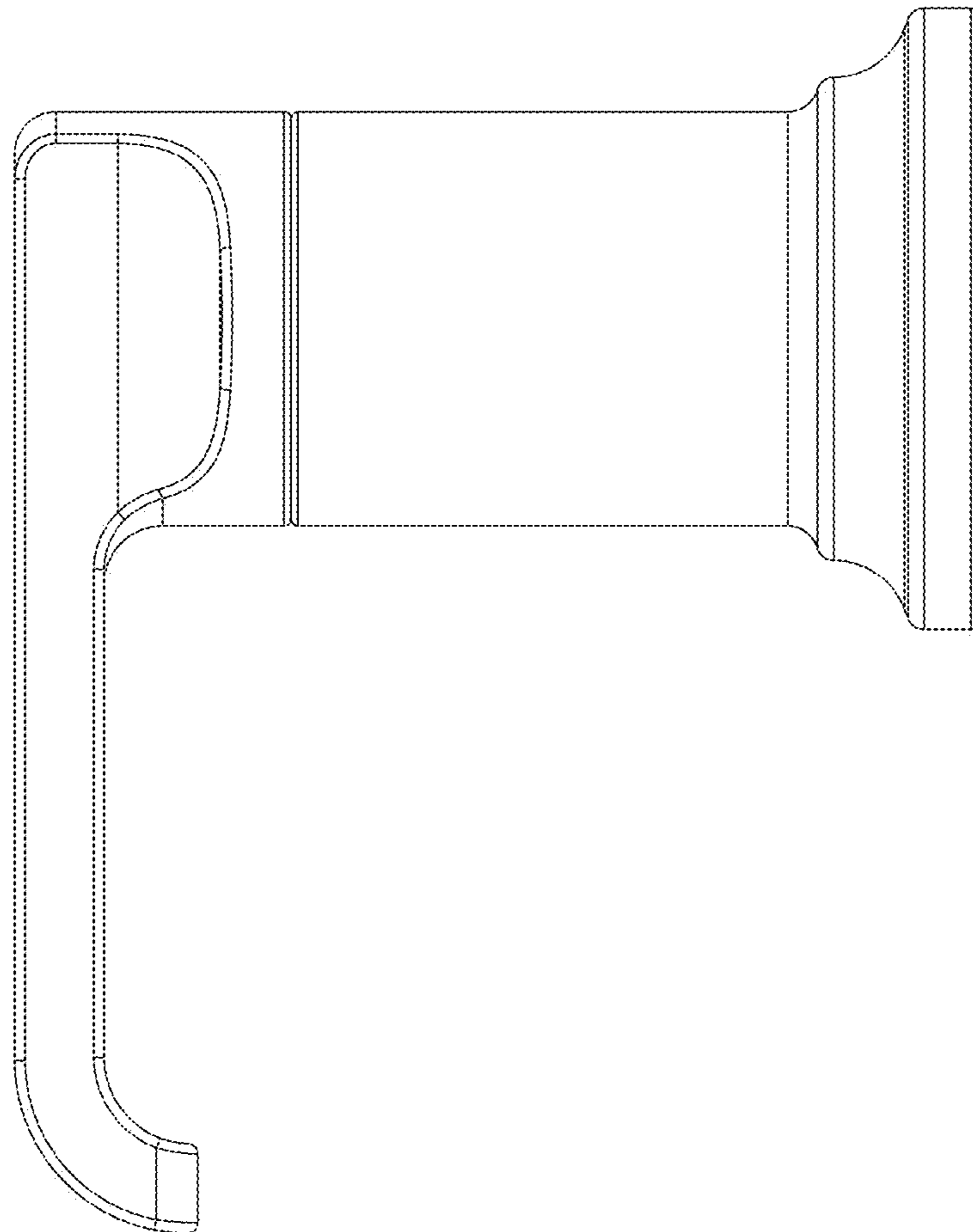


FIG - 3

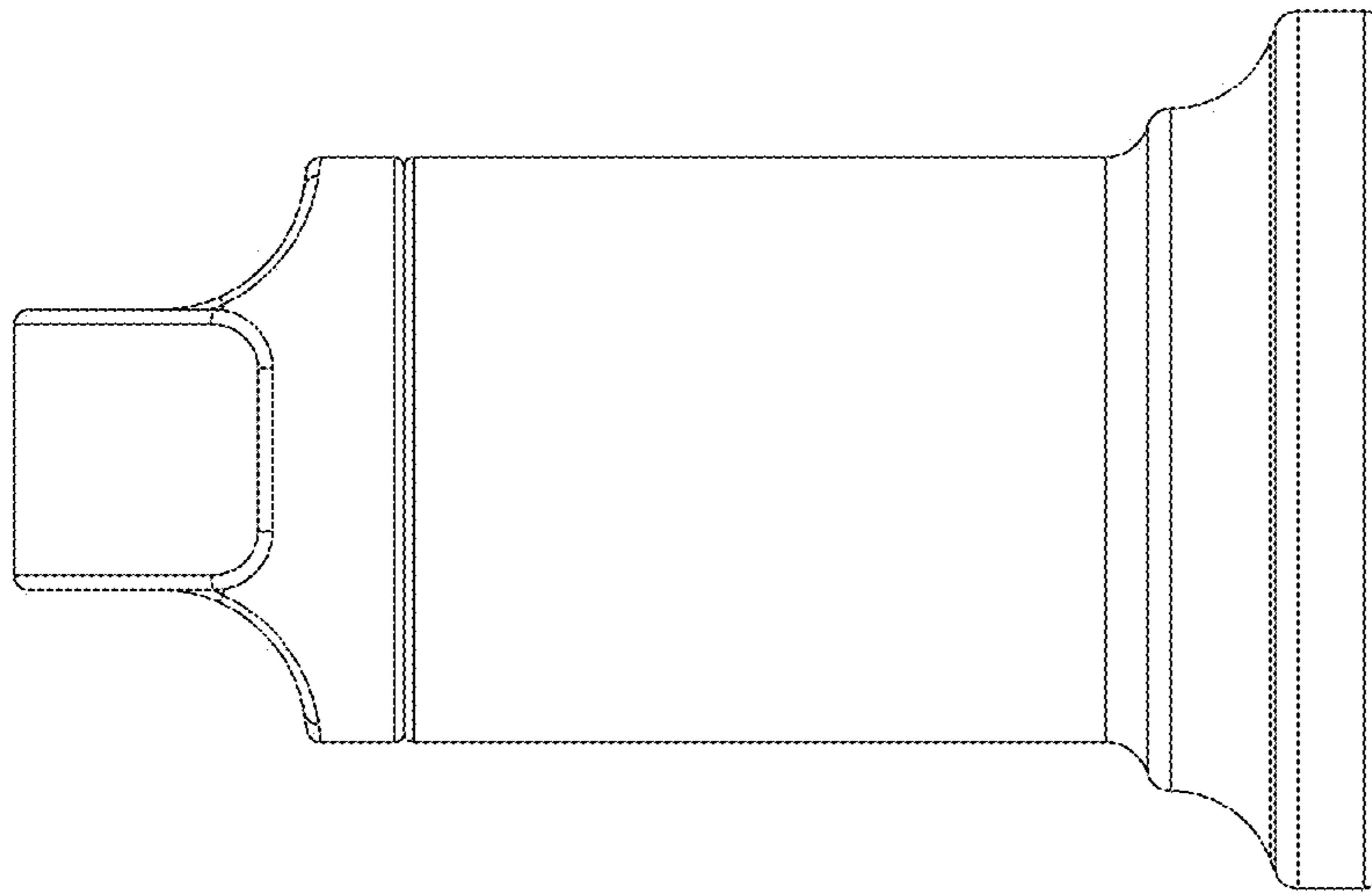


FIG - 6

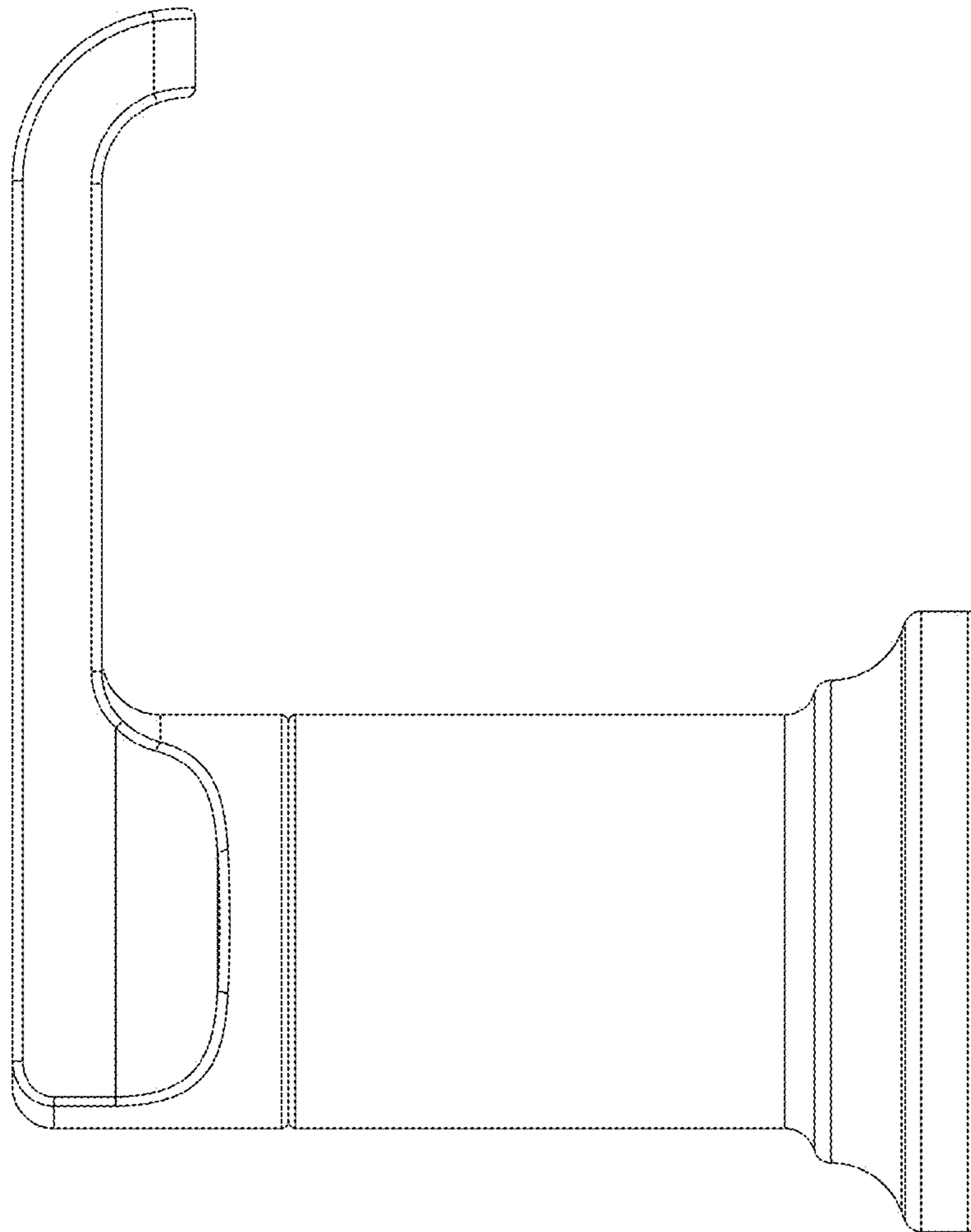


FIG - 5

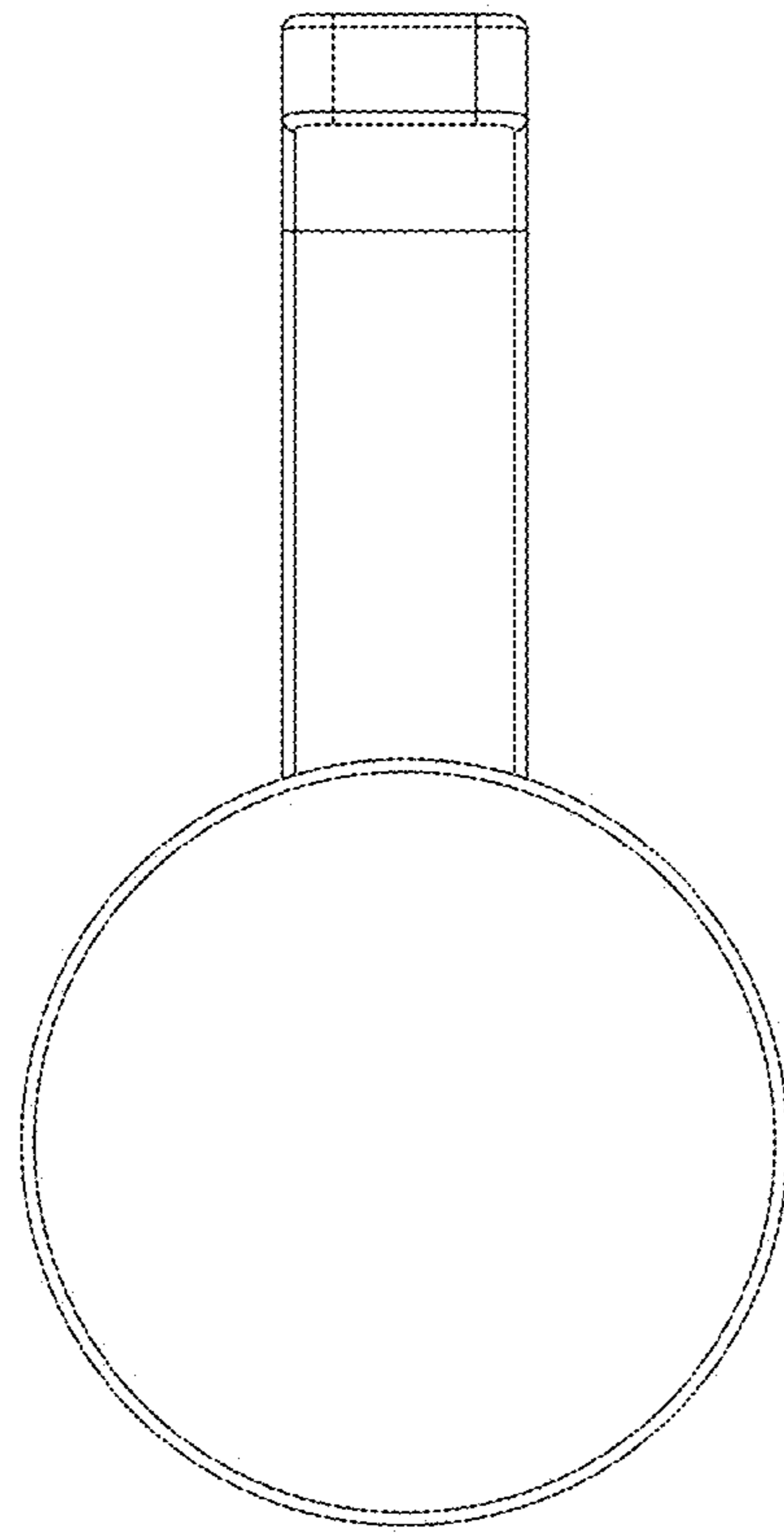


FIG - 8

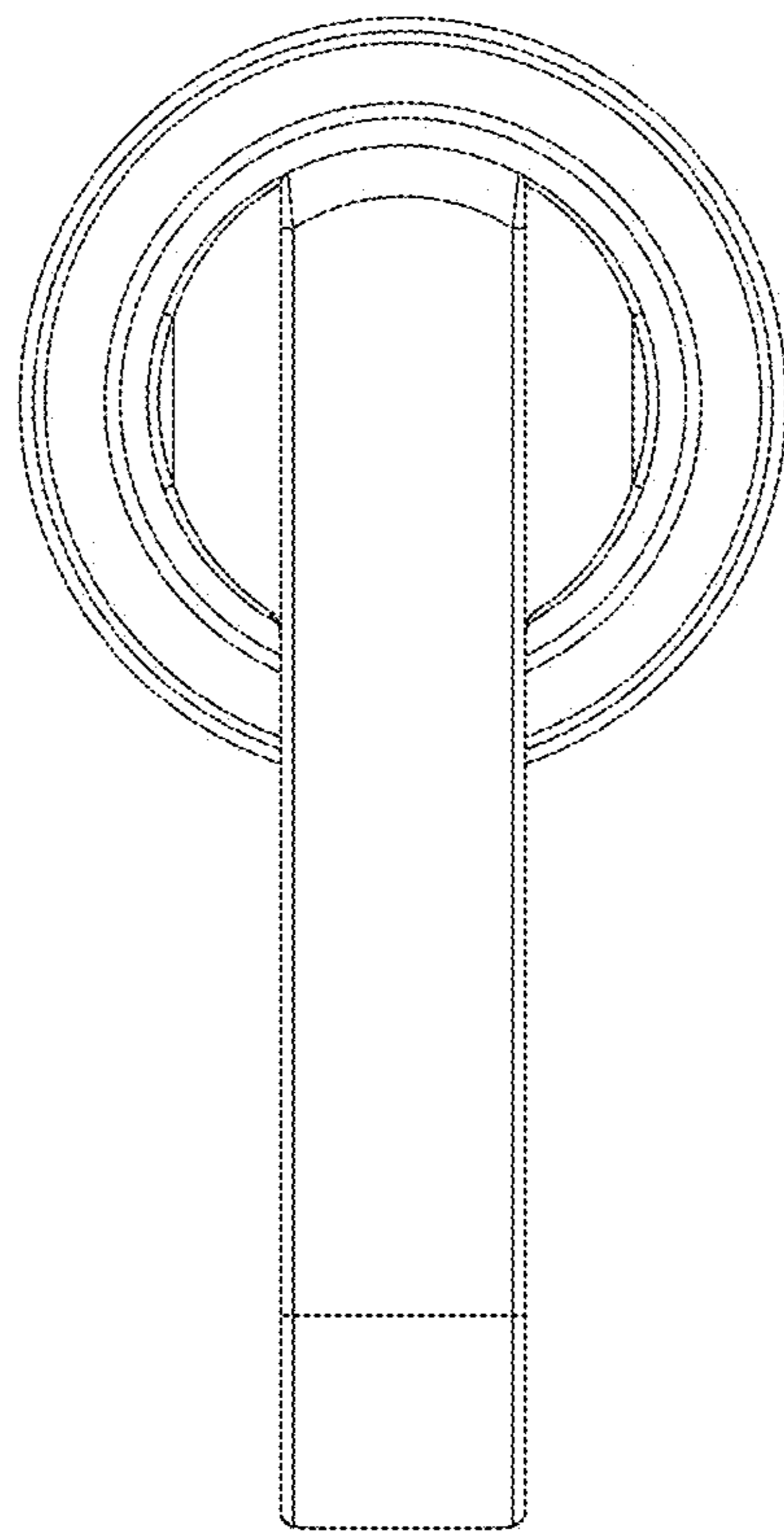


FIG - 7