



US00D986387S

(12) **United States Design Patent**  
**Garland**

(10) **Patent No.:** **US D986,387 S**

(45) **Date of Patent:** **\*\* May 16, 2023**

(54) **FAUCET HANDLE**

(71) Applicant: **DELTA FAUCET COMPANY,**  
Indianapolis, IN (US)

(72) Inventor: **Celine Kwok Garland,** Zionsville, IN  
(US)

(73) Assignee: **DELTA FAUCET COMPANY,**  
Indianapolis, IN (US)

(\*\*) Term: **15 Years**

(21) Appl. No.: **29/779,395**

(22) Filed: **Apr. 19, 2021**

(51) **LOC (14) Cl.** ..... **23-01**

(52) **U.S. Cl.**  
USPC ..... **D23/252**

(58) **Field of Classification Search**  
USPC ..... D23/238-243, 250, 252, 254;  
D8/307-308

See application file for complete search history.

(56) **References Cited**

**U.S. PATENT DOCUMENTS**

D762,286 S \* 7/2016 Pony ..... D23/238  
D870,244 S \* 12/2019 Stoler ..... D23/252

D870,245 S \* 12/2019 Stoler ..... D23/252  
D872,239 S \* 1/2020 Eads ..... D23/252  
D873,381 S \* 1/2020 Eads ..... D23/252  
D914,144 S \* 3/2021 Levi ..... D23/238  
D941,434 S \* 1/2022 Fritz ..... D23/252

\* cited by examiner

*Primary Examiner* — Robert A Delehanty

(74) *Attorney, Agent, or Firm* — Jeffrey L. Doyle

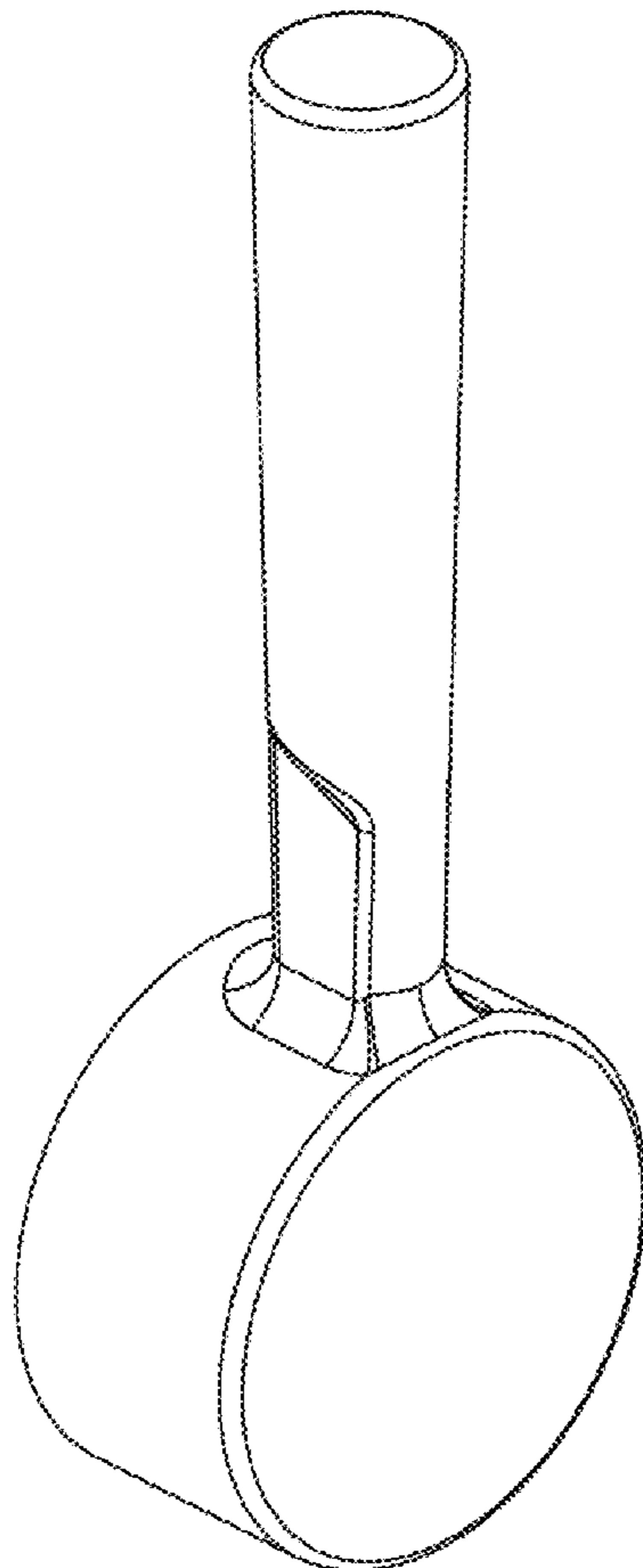
(57) **CLAIM**

The ornamental design for a faucet handle, as shown and described.

**DESCRIPTION**

FIG. 1 is a front perspective view of a faucet handle showing my new design;  
FIG. 2 is a rear perspective view thereof;  
FIG. 3 is a front elevational view thereof;  
FIG. 4 is a left side view thereof;  
FIG. 5 is a rear view thereof;  
FIG. 6 is a right side view thereof;  
FIG. 7 is a top plan view thereof; and,  
FIG. 8 is a bottom view thereof.

**1 Claim, 4 Drawing Sheets**



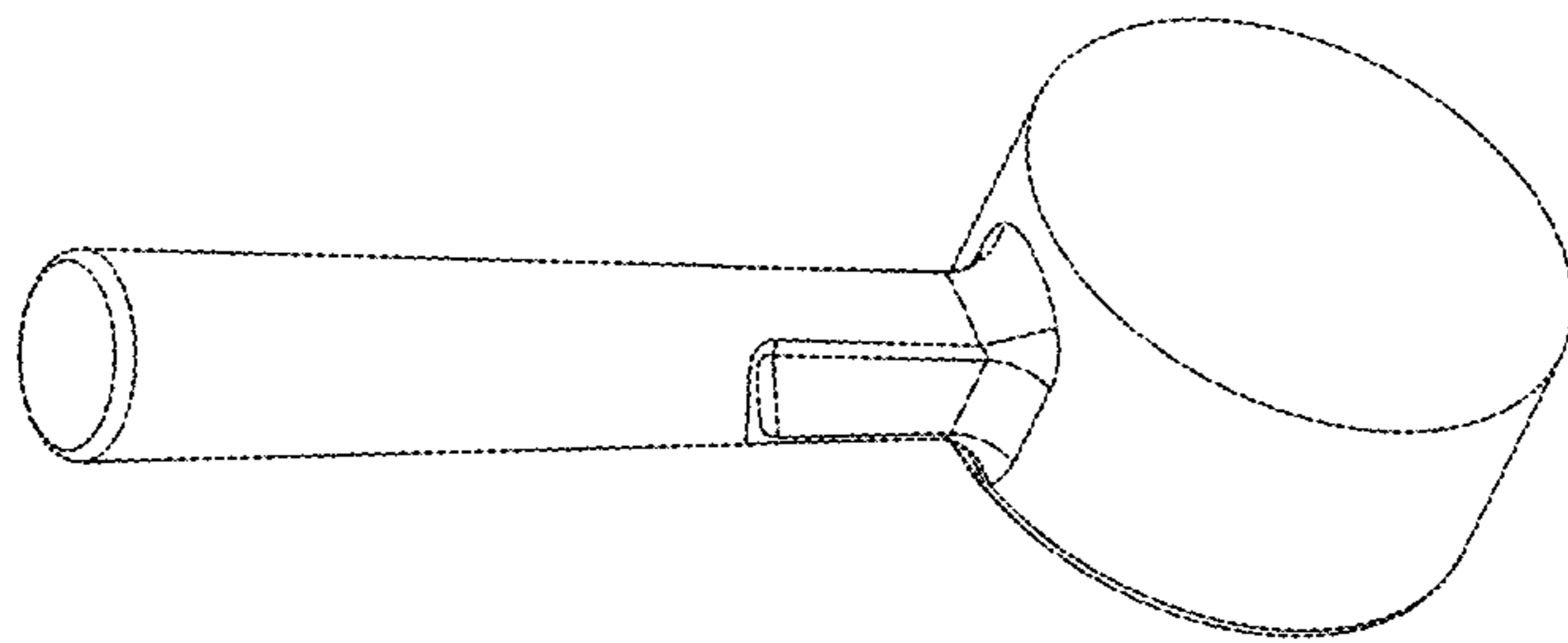


FIG - 2

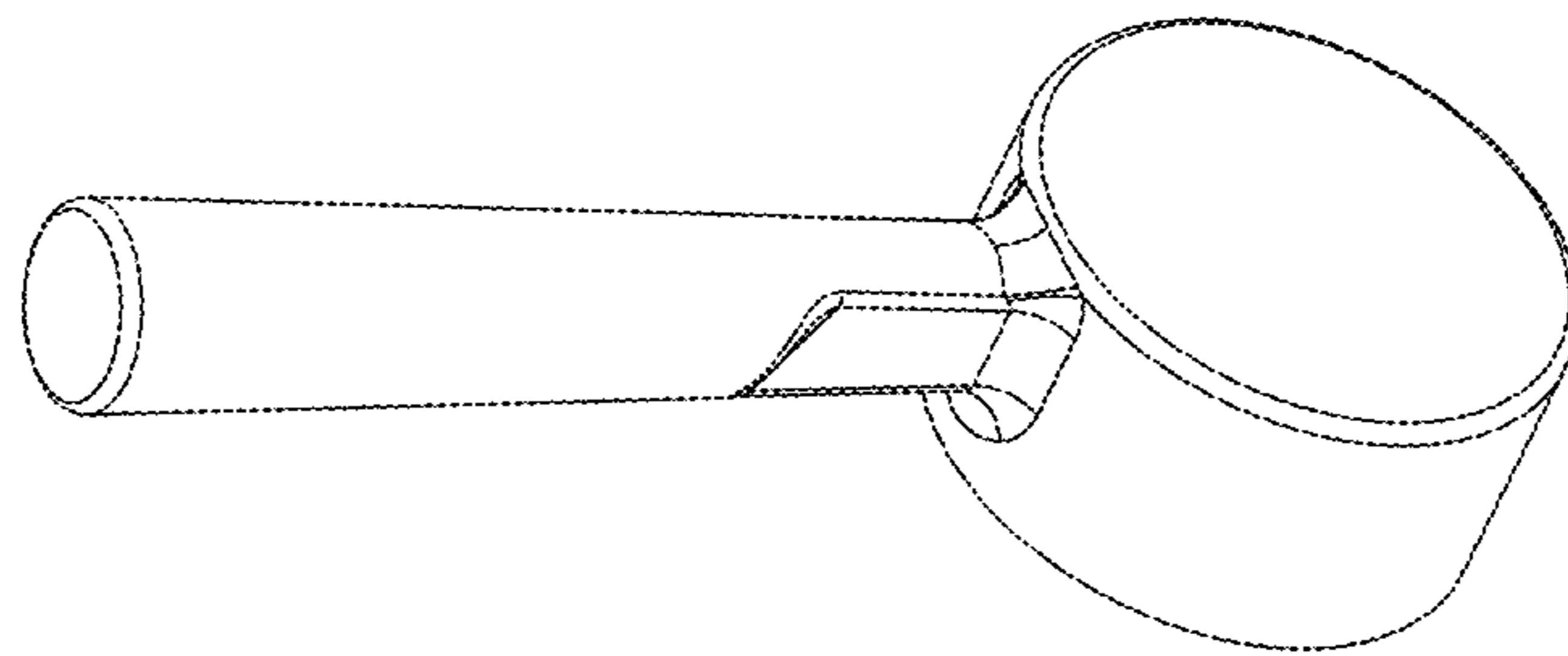


FIG - 1

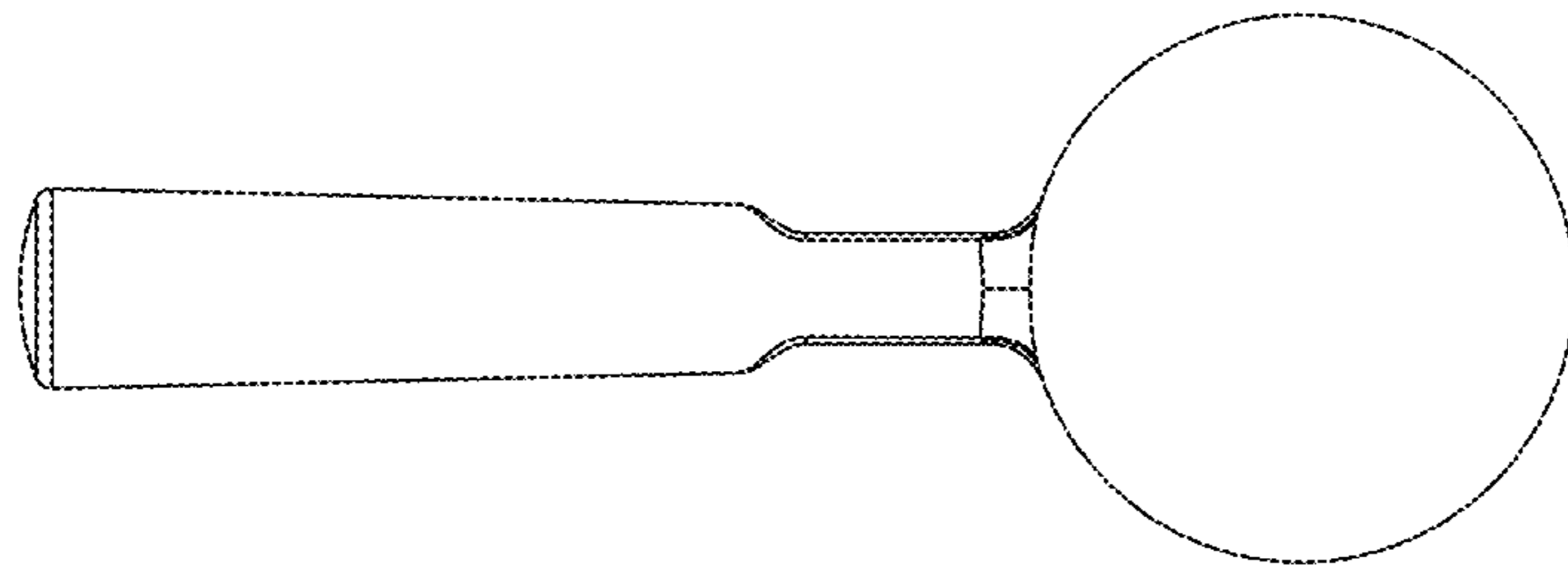


FIG - 4

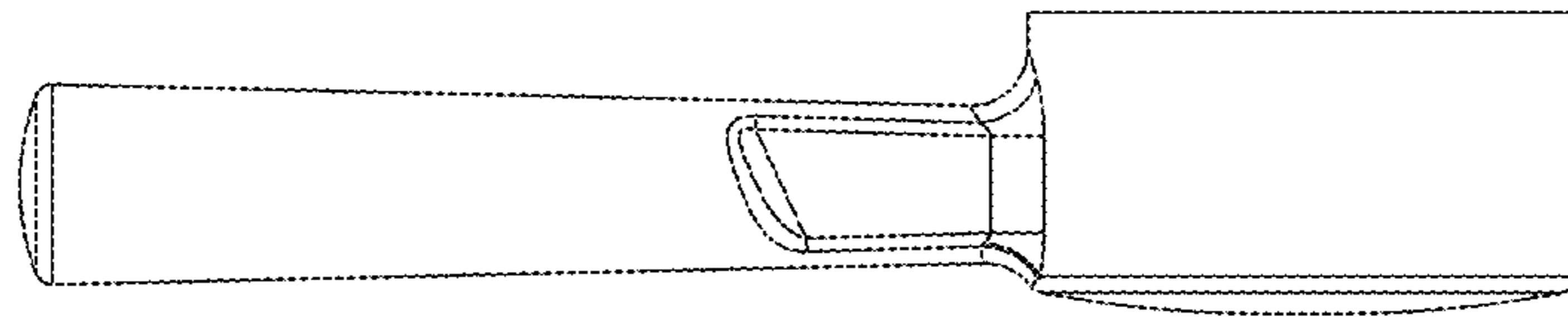


FIG - 3

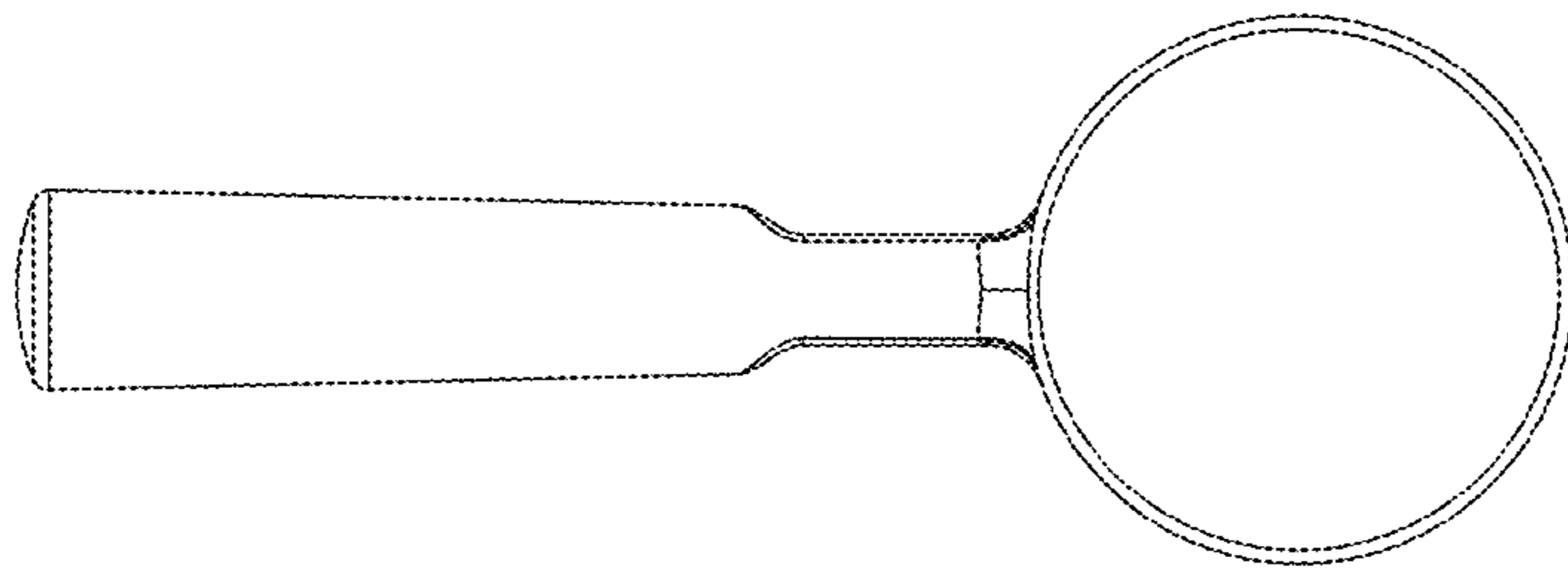


FIG - 6

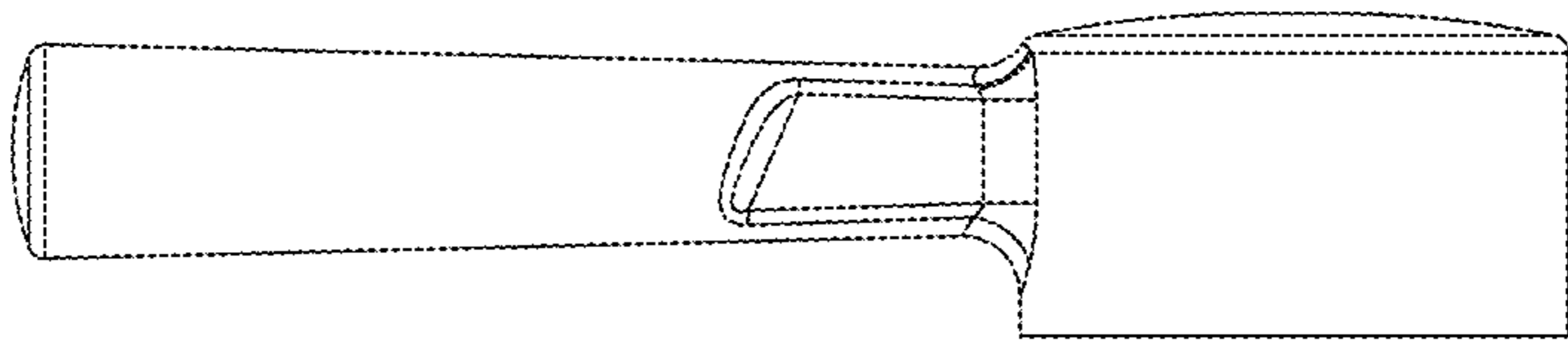


FIG - 5

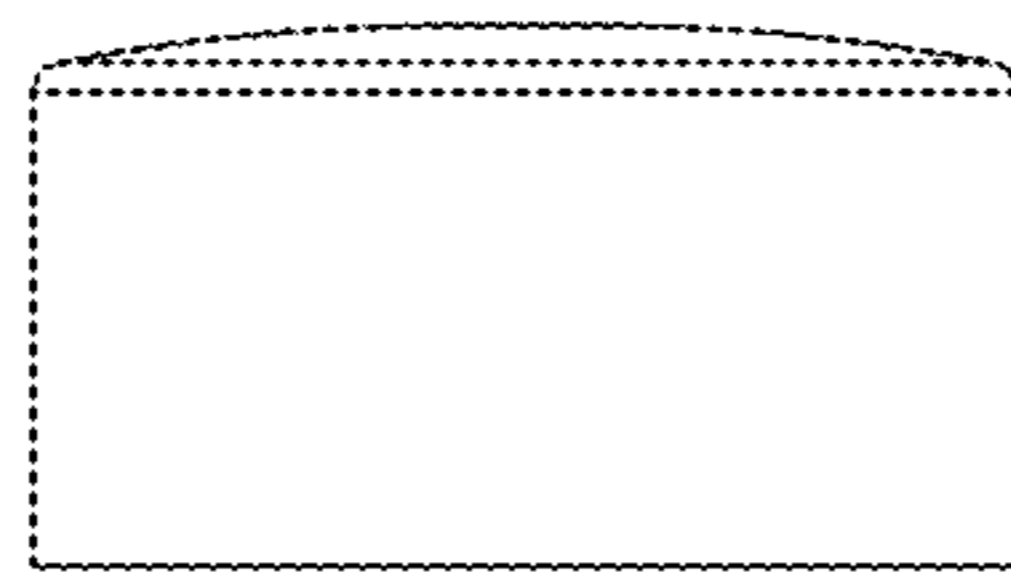


FIG - 8

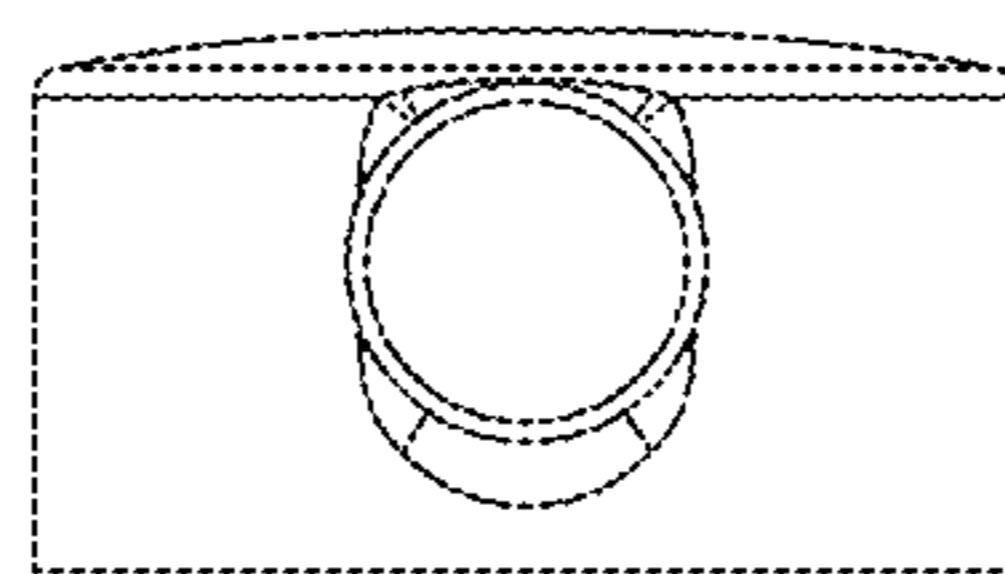


FIG - 7