



US00D986386S

(12) **United States Design Patent** (10) **Patent No.:** **US D986,386 S**
Barber et al. (45) **Date of Patent:** **** May 16, 2023**

(54) **FREESTANDING FAUCET**
(71) Applicant: **HANSGROHE SE**, Schiltach (DE)
(72) Inventors: **Edward Barber**, London (GB); **Jay Osgerby**, London (GB)
(73) Assignee: **Hansgrohe SE**, Schiltach (DE)
(**) Term: **15 Years**
(21) Appl. No.: **29/771,849**
(22) Filed: **Feb. 25, 2021**
(51) **LOC (14) Cl.** **23-01**
(52) **U.S. Cl.**
USPC **D23/239**
(58) **Field of Classification Search**
USPC D23/238-244, 252, 254-255, 257, 499;
D7/398
CPC F16K 31/602; F16K 31/605; F16K 31/607;
E03C 1/0412
See application file for complete search history.

EM 004112647-0024 1/2018
EM 005636685-0001 1/2019
IN 309063-0001 * 7/2019

OTHER PUBLICATIONS

Aolemi Floor Mount Bathtub Faucet, first available Aug. 16, 2019[online], [site visited Jul. 12, 2022]. Available from internet, URL:<https://www.amazon.com/Aolemi-Bathtub-Freestanding-Standing-Handheld/dp/B087WV99SC> (Year: 2019).*
Senlesen Stainless Steel Floor Mounted Bathroom Faucets, first available Sep. 16, 2019[online], [site visited Jul. 12, 2022]. Available from internet, URL:<https://www.amazon.com/Senlesen-Stainless-Bathroom-Freestanding-Handheld/dp/B07XM6VJK1> (Year: 2019).*

* cited by examiner

Primary Examiner — David G Muller
Assistant Examiner — Jamaal Rasheed
(74) *Attorney, Agent, or Firm* — Lora J. Graentzdoerffer

(57) **CLAIM**

The ornamental design for a freestanding faucet, as shown and described.

(56) **References Cited**

U.S. PATENT DOCUMENTS

D461,529 S *	8/2002	Gottwald	D23/242
D681,168 S *	4/2013	Romero	D23/238
9,334,633 B2 *	5/2016	Harris	E03C 1/0401
D855,766 S *	8/2019	Seum	D23/238
D855,773 S *	8/2019	Seum	D23/242
D855,774 S *	8/2019	Seum	D23/242
D858,706 S *	9/2019	Soulier	D23/249
D860,399 S *	9/2019	Seum	D23/242
D914,148 S *	3/2021	Flaig	D23/238
D914,152 S *	3/2021	Ando	D23/239

FOREIGN PATENT DOCUMENTS

CN	303369482	9/2015
DE	40108676-0001	5/2002
EM	001303887-0001	12/2011
EM	002475368-0032	9/2016

DESCRIPTION

FIG. 1 is a perspective view of a freestanding faucet showing our new design;
FIG. 2 is a front elevational view thereof;
FIG. 3 is a rear elevational view thereof;
FIG. 4 is a side elevational view thereof;
FIG. 5 is another side elevational view thereof;
FIG. 6 is a top plan view thereof;
FIG. 7 is a bottom plan view thereof; and,
FIG. 8 is an enlarged perspective view taken from FIG. 1. The evenly spaced broken lines in the drawings are for the purpose of illustrating portions of the freestanding faucet that form no part of the claimed design. The dash-dot broken lines showing the enlargements in FIGS. 1 and 8 form no part of the claimed design.

1 Claim, 8 Drawing Sheets

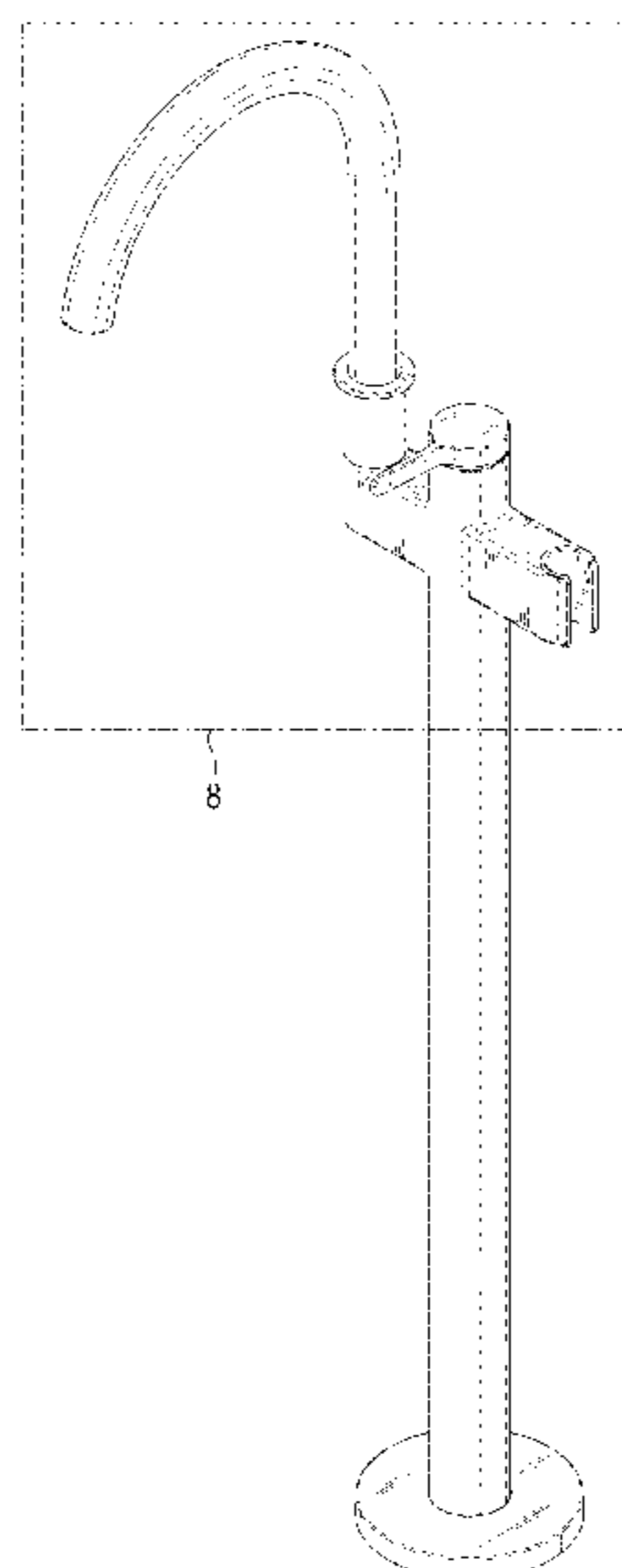


FIG. 1

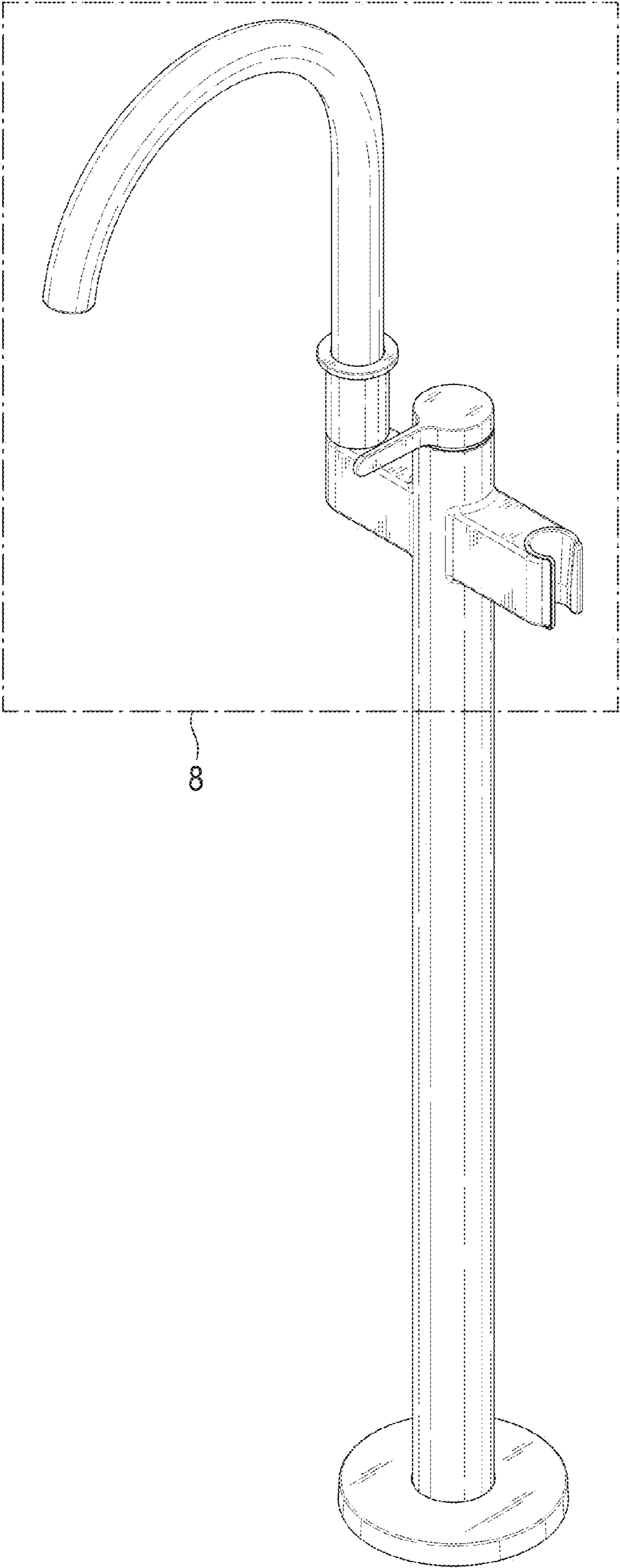


FIG. 2

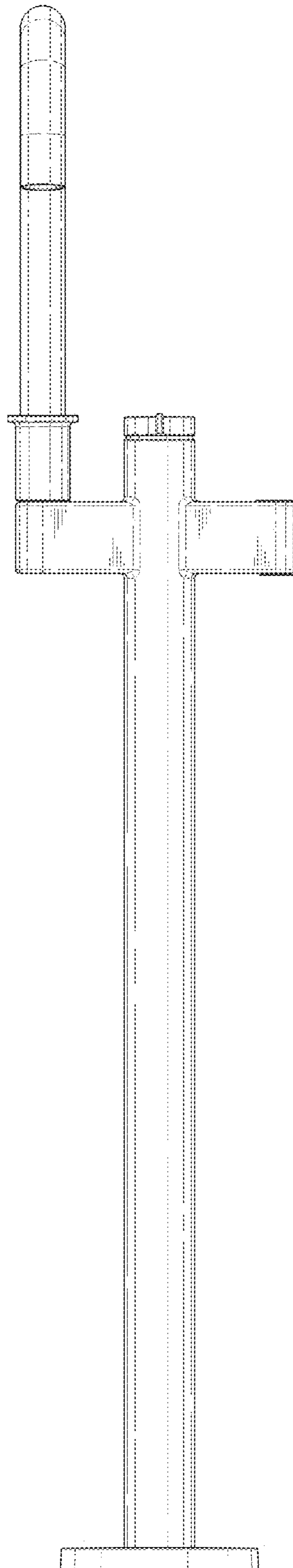


FIG. 3

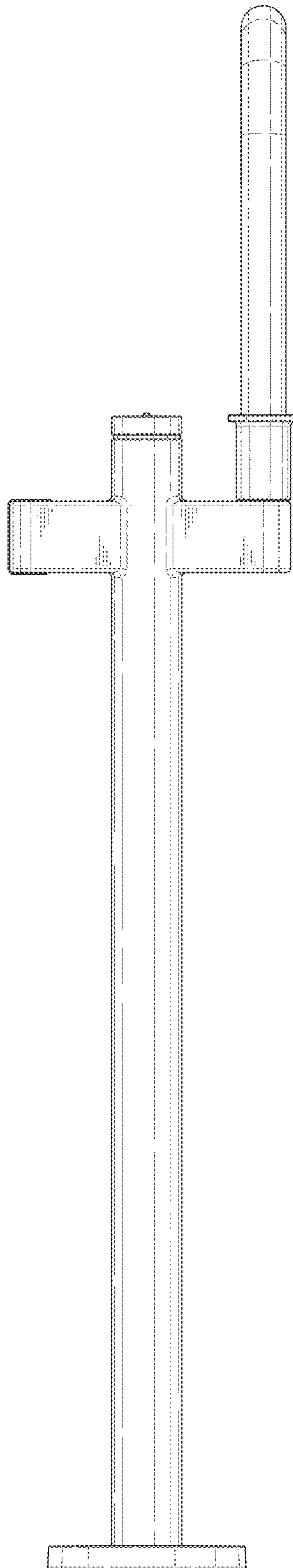


FIG. 4

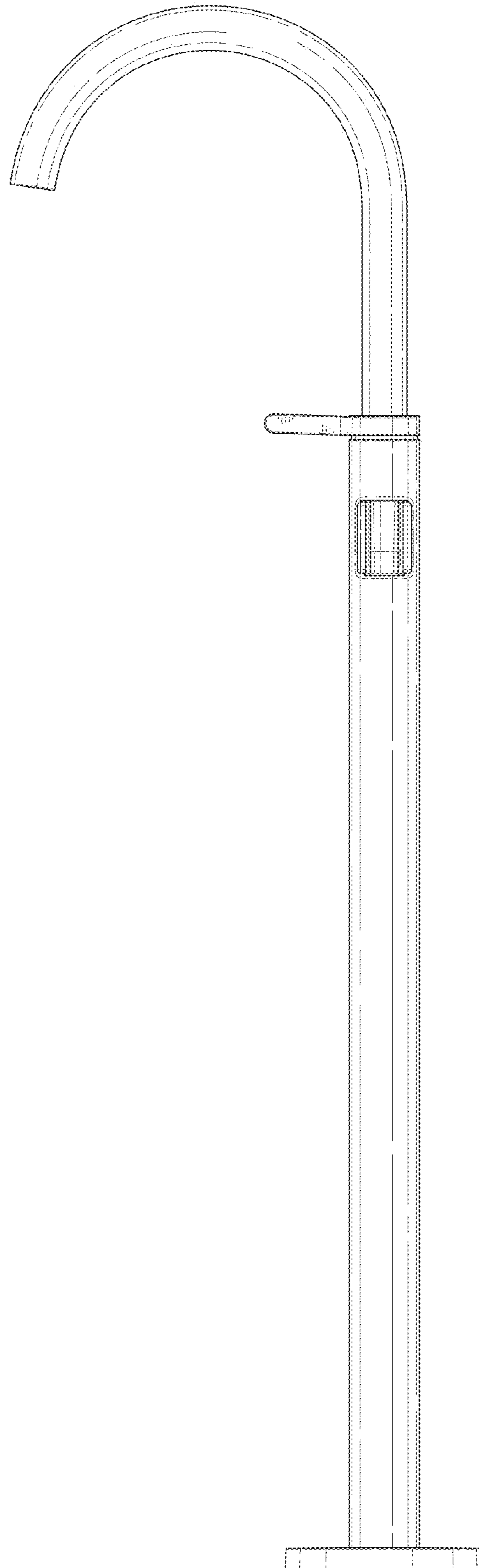


FIG. 5

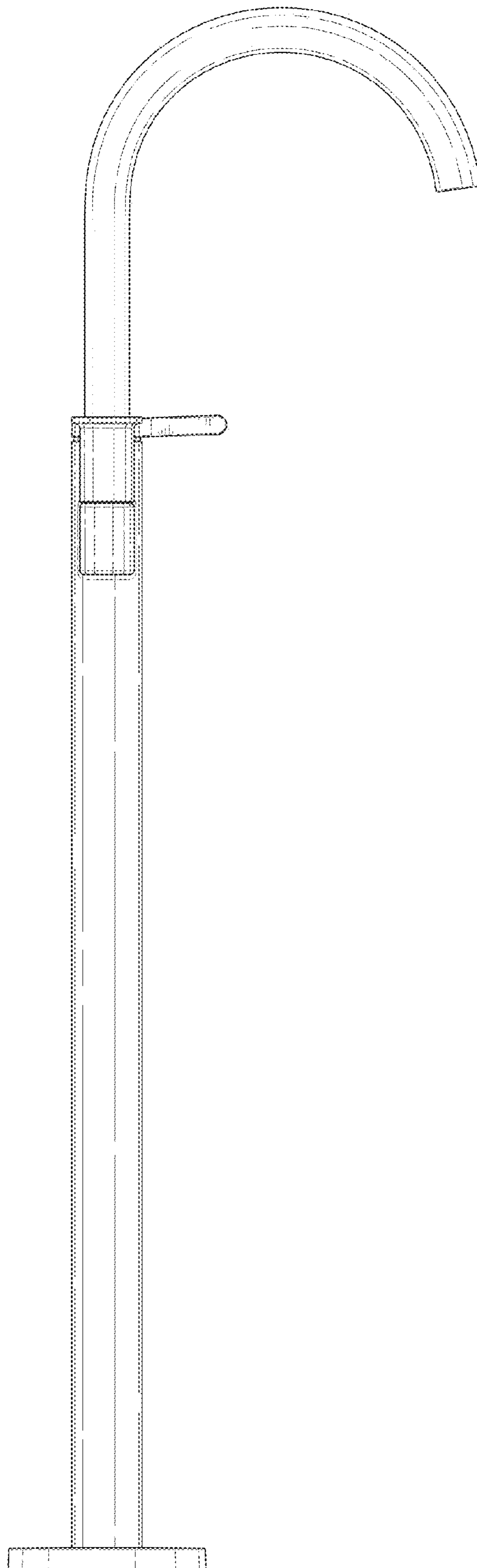


FIG. 6

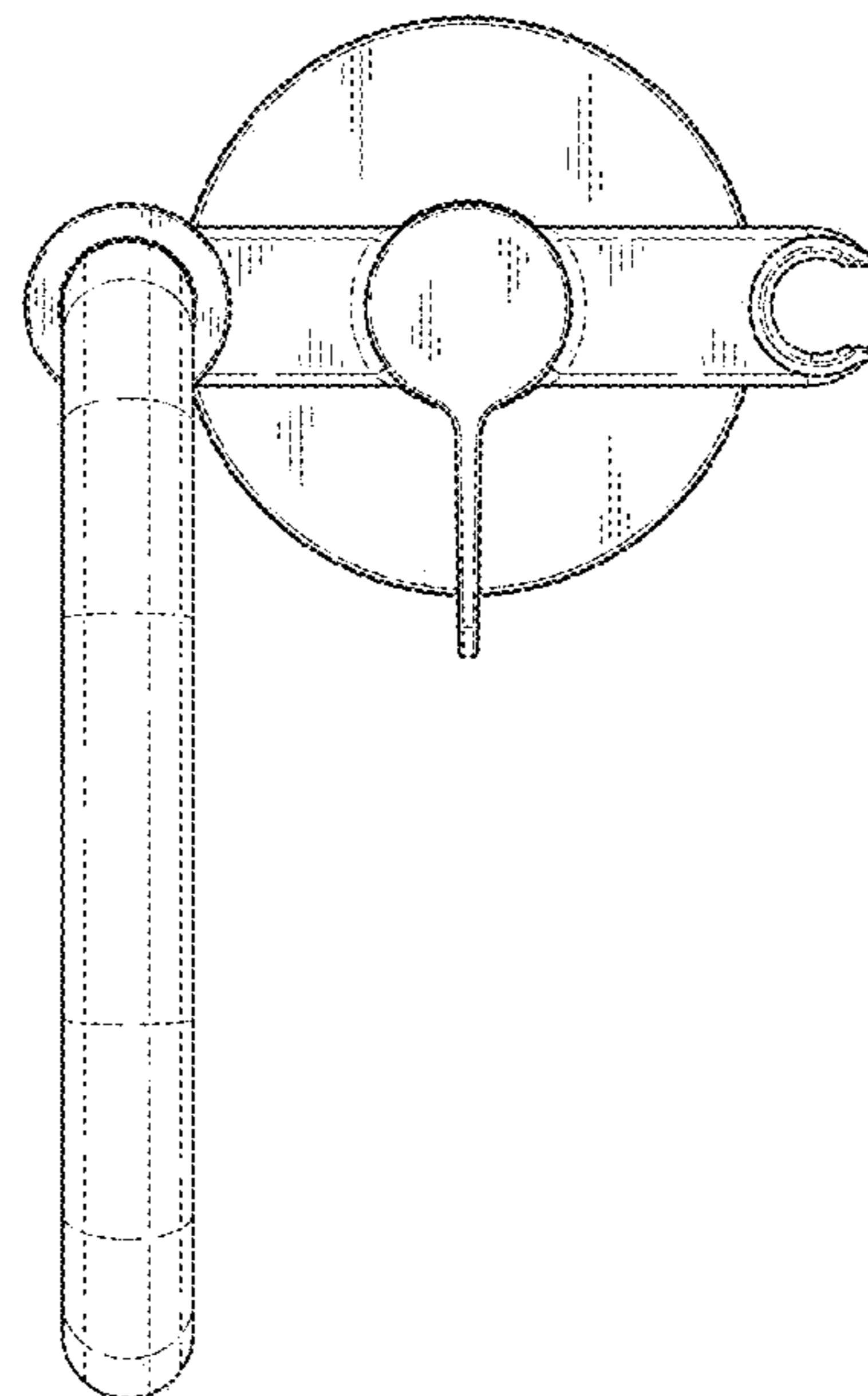


FIG. 7

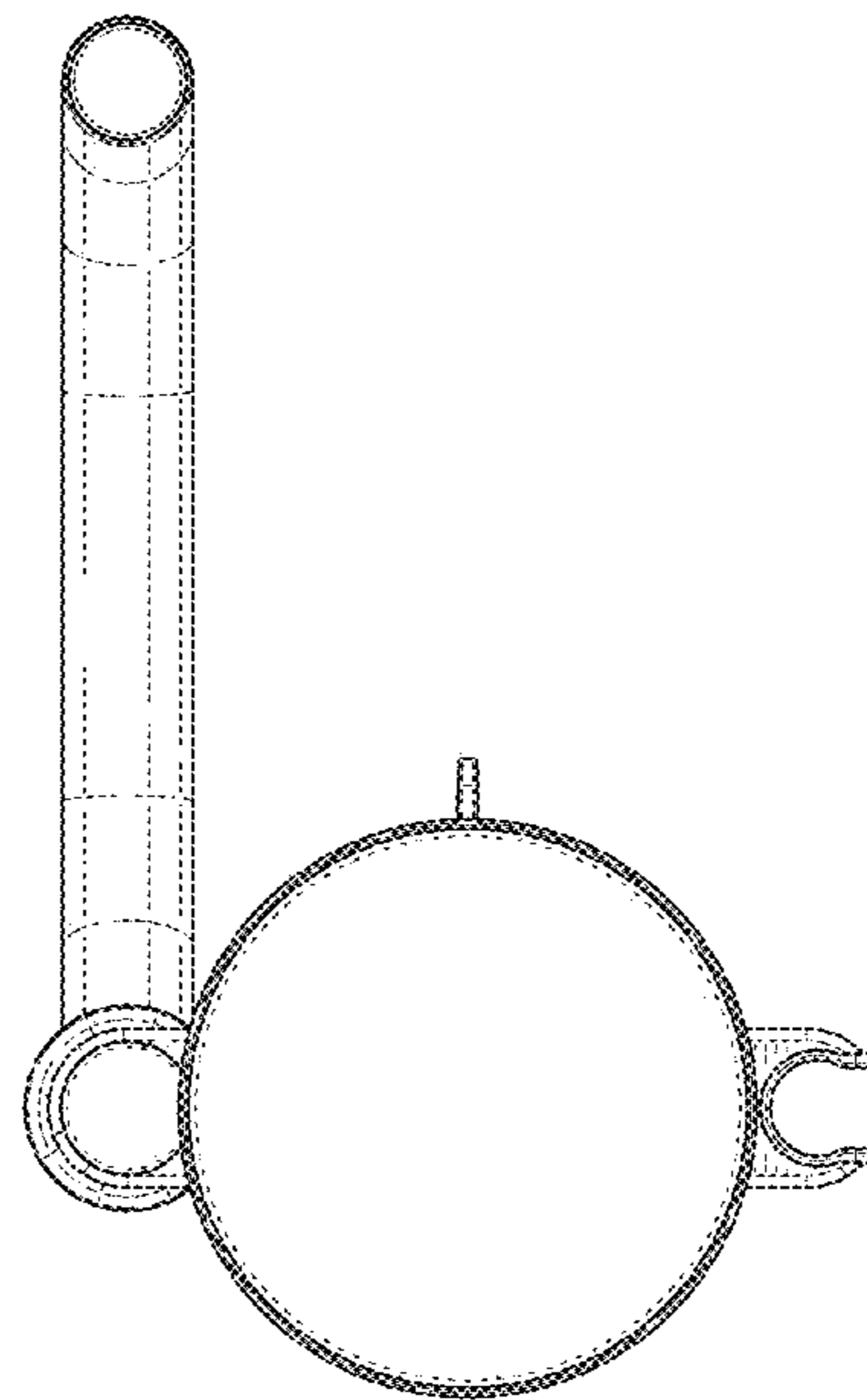


FIG. 8

