



US00D986385S

(12) **United States Design Patent**
Garland

(10) **Patent No.:** **US D986,385 S**

(45) **Date of Patent:** **** May 16, 2023**

(54) **FAUCET**

(71) Applicant: **DELTA FAUCET COMPANY,**
Indianapolis, IN (US)

(72) Inventor: **Celine Kwok Garland,** Zionsville, IN
(US)

(73) Assignee: **DELTA FAUCET COMPANY,**
Indianapolis, IN (US)

(**) Term: **15 Years**

(21) Appl. No.: **29/810,285**

(22) Filed: **Oct. 4, 2021**

(51) **LOC (14) Cl.** **23-01**

(52) **U.S. Cl.**
USPC **D23/238**

(58) **Field of Classification Search**
USPC D23/238–243, 250, 252, 254–255, 257;
D8/307–308

See application file for complete search history.

(56) **References Cited**

U.S. PATENT DOCUMENTS

D472,308 S * 3/2003 Hundley D23/257
D534,245 S * 12/2006 Egli D23/238

D541,384 S * 4/2007 Citterio D23/249
D607,974 S * 1/2010 Flowers D23/238
D635,648 S * 4/2011 Schoenherr D23/255
D639,394 S * 6/2011 Citterio D23/238
D754,296 S * 4/2016 Lord D23/238
D877,863 S * 3/2020 Rockwell D23/255
D883,441 S * 5/2020 Carr D23/242
D969,977 S * 11/2022 Garland D23/255
2009/0200794 A1 * 8/2009 Esche E03C 1/0404
285/148.6

* cited by examiner

Primary Examiner — Robert A Delehanty

(74) *Attorney, Agent, or Firm* — Jeffrey L. Doyle

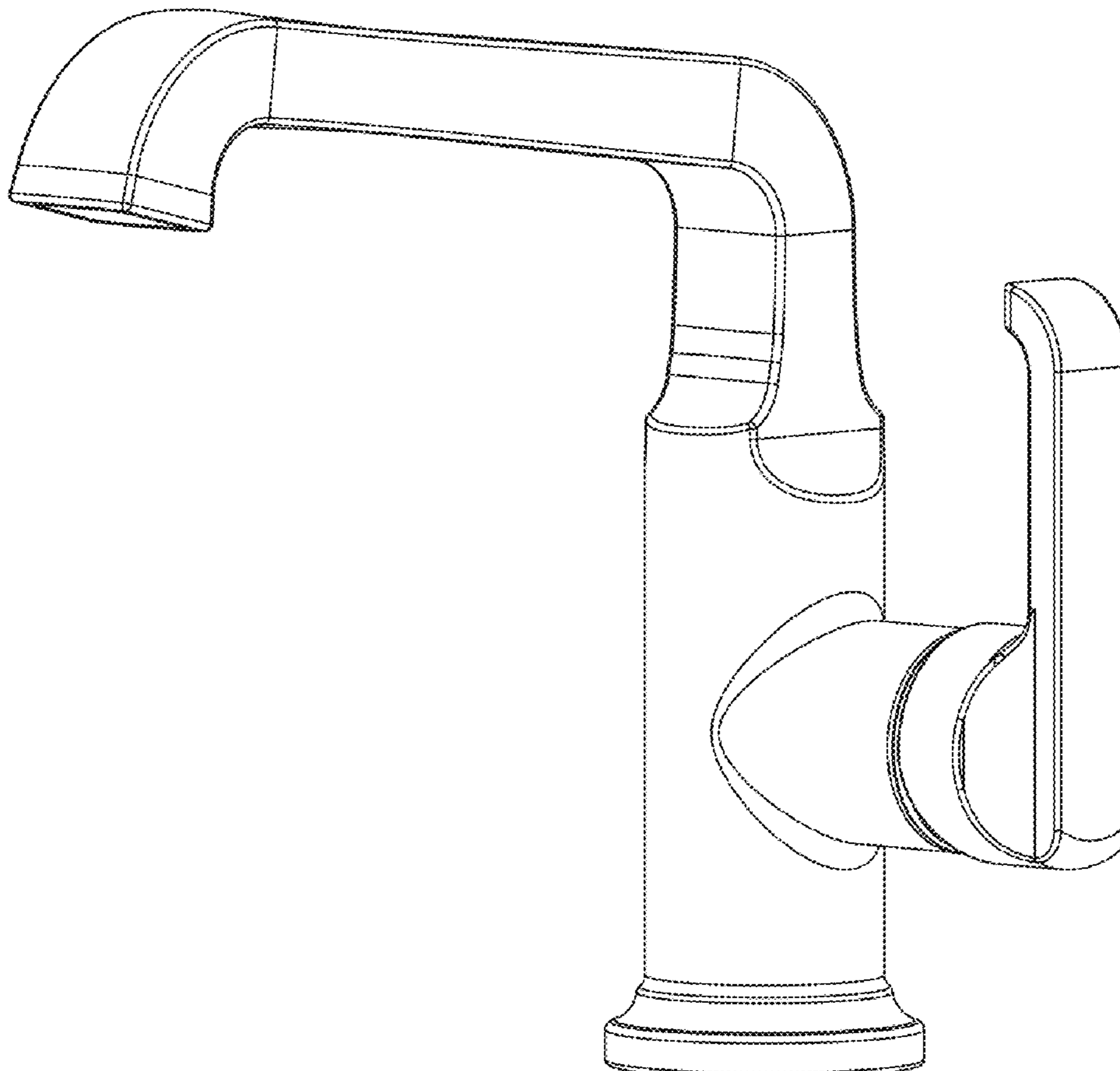
(57) **CLAIM**

The ornamental design for a faucet, as shown and described.

DESCRIPTION

FIG. 1 is a front perspective view of a faucet showing my new design;
FIG. 2 is a rear perspective view thereof;
FIG. 3 is a front elevational view thereof;
FIG. 4 is a left side view thereof;
FIG. 5 is a rear view thereof;
FIG. 6 is a right side view thereof;
FIG. 7 is a top plan view thereof; and,
FIG. 8 is a bottom view thereof.

1 Claim, 4 Drawing Sheets



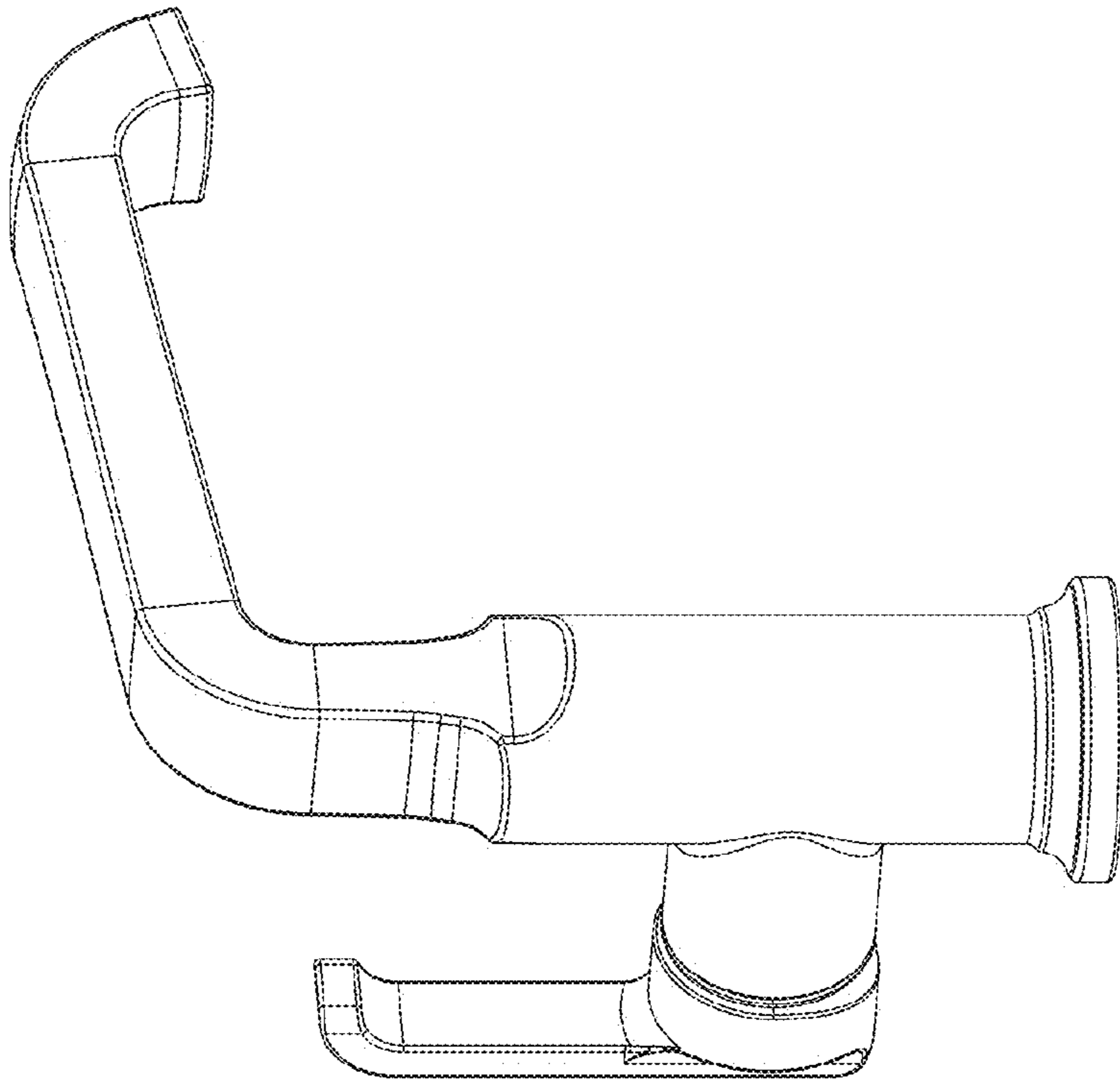


FIG - 2

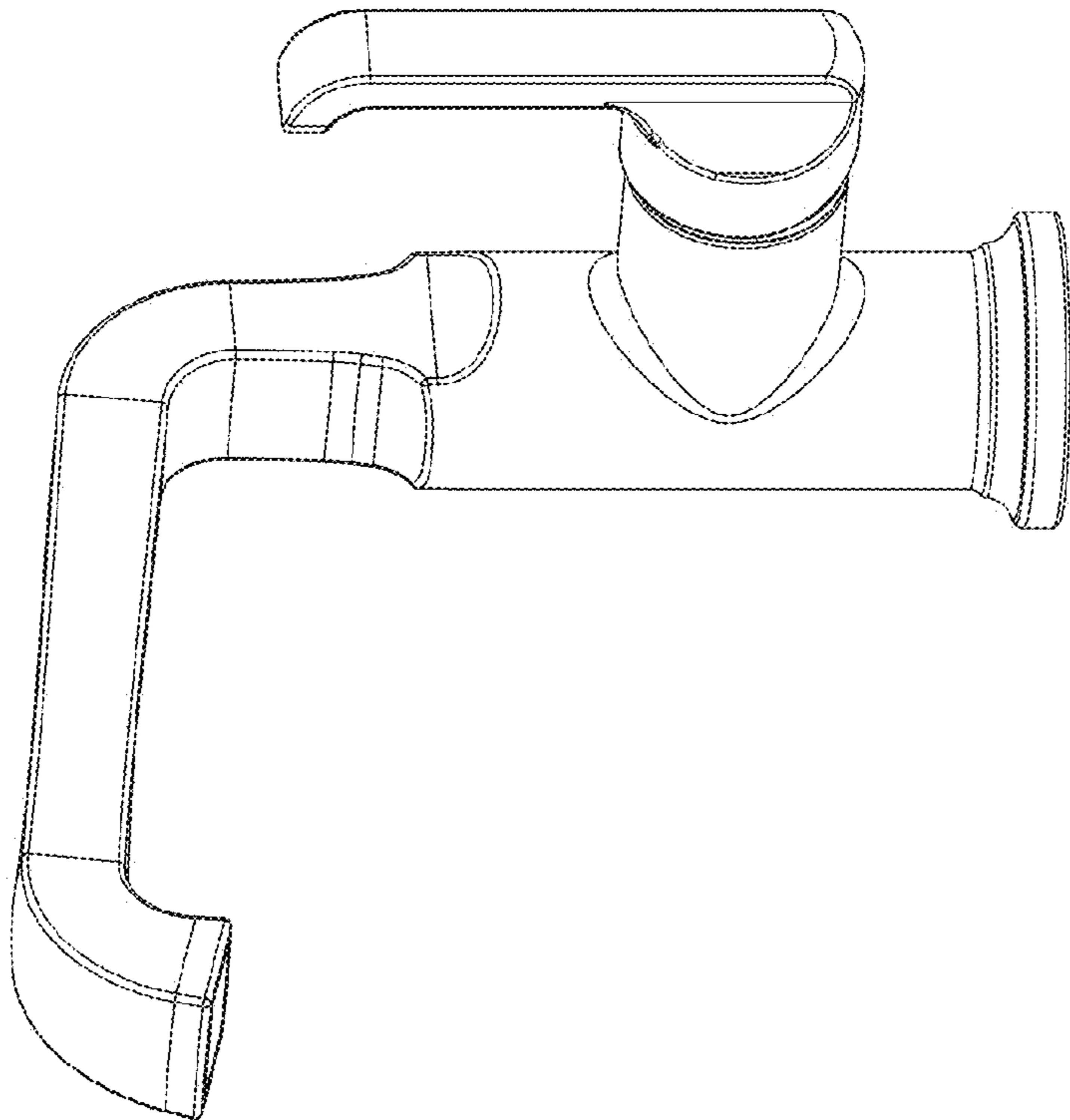


FIG - 1

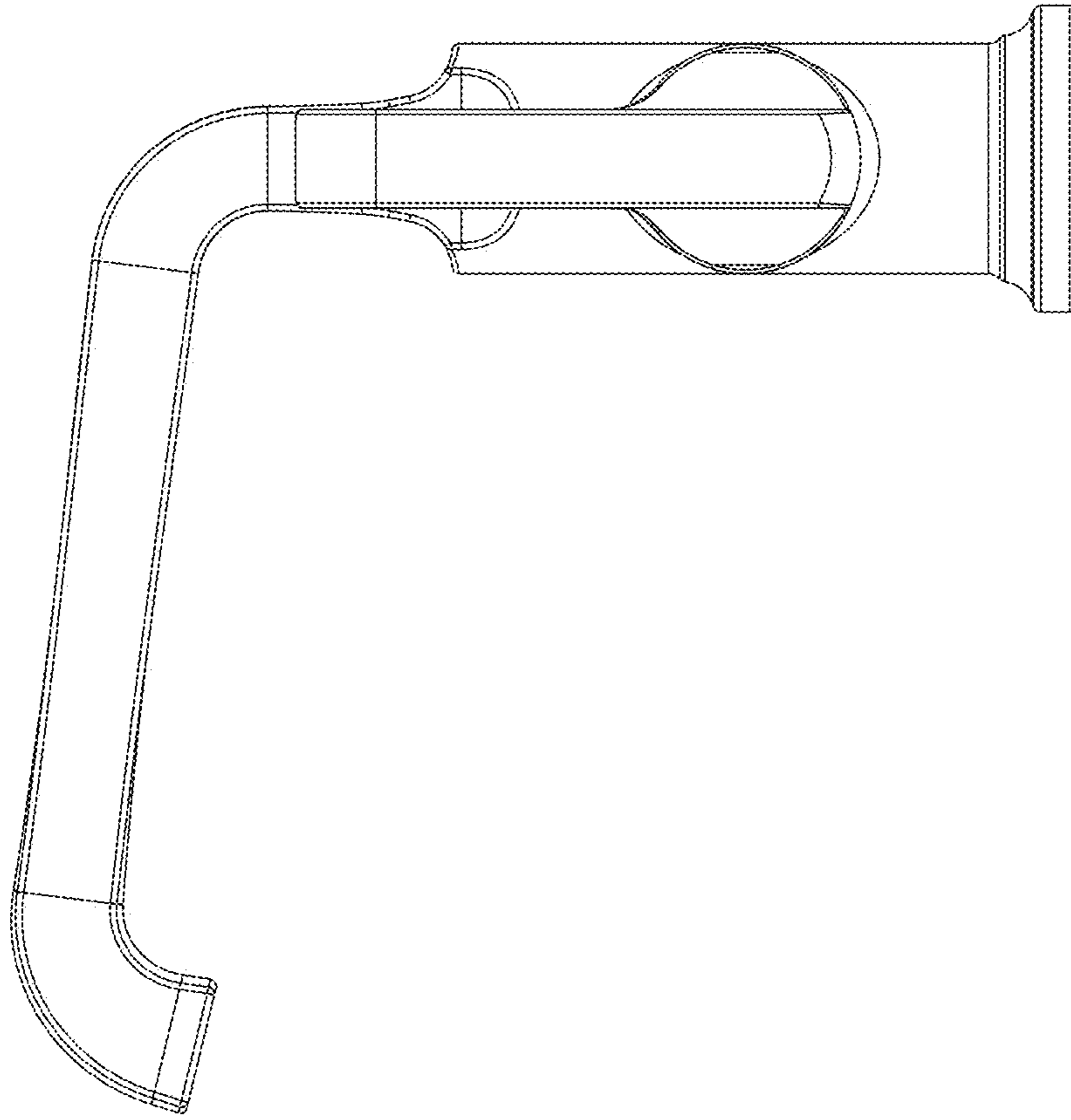


FIG - 4

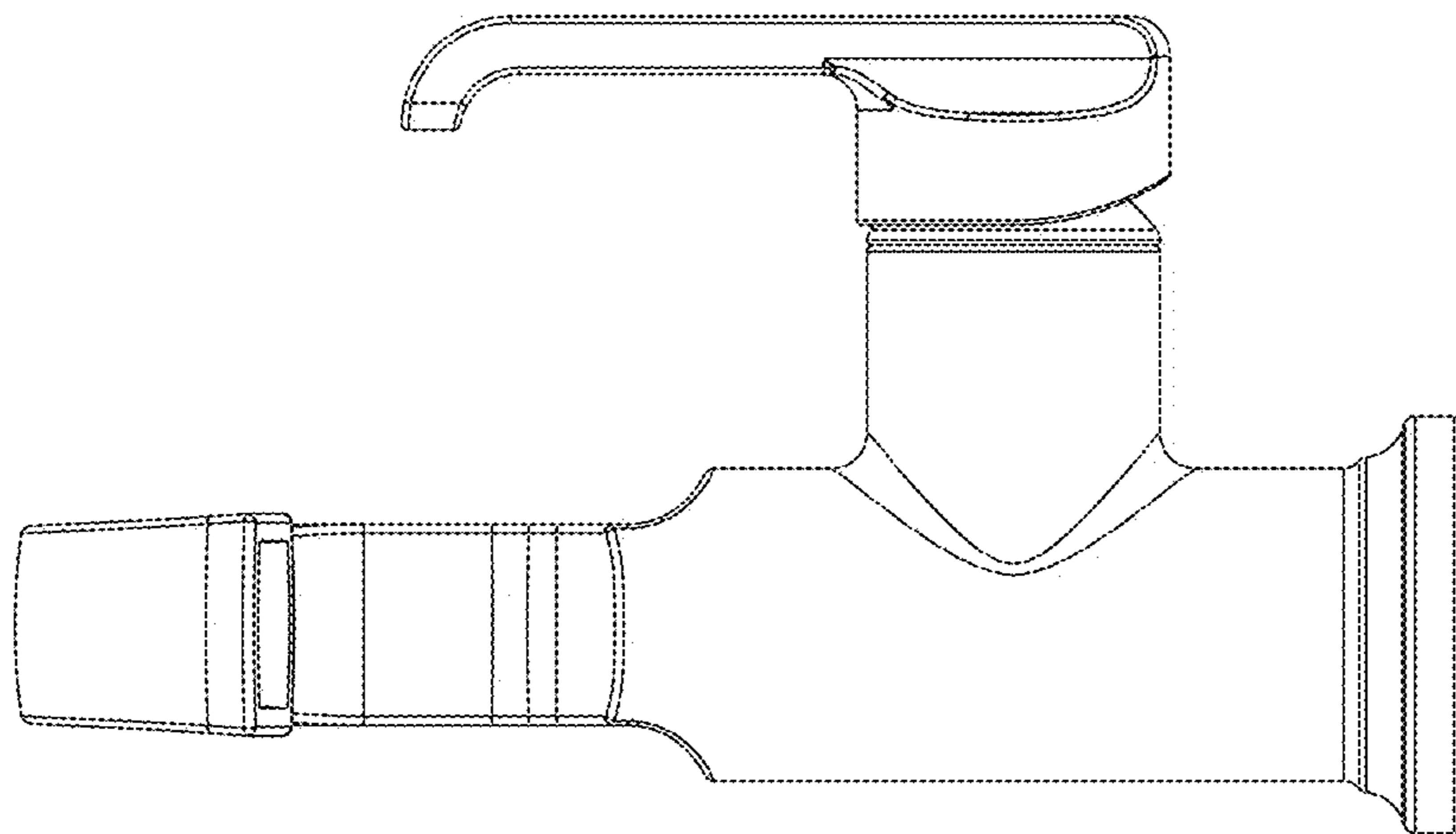


FIG - 3

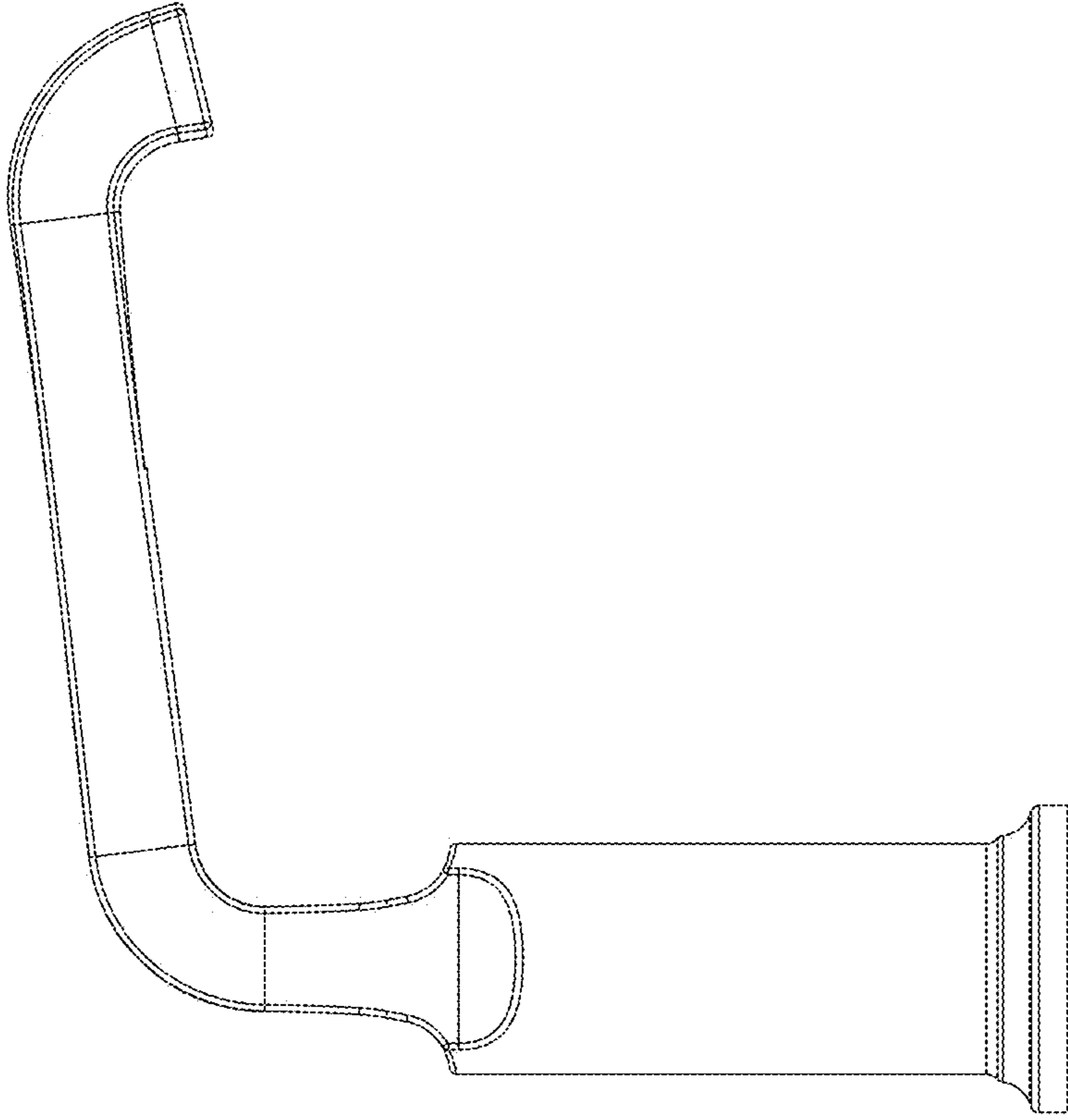


FIG - 6

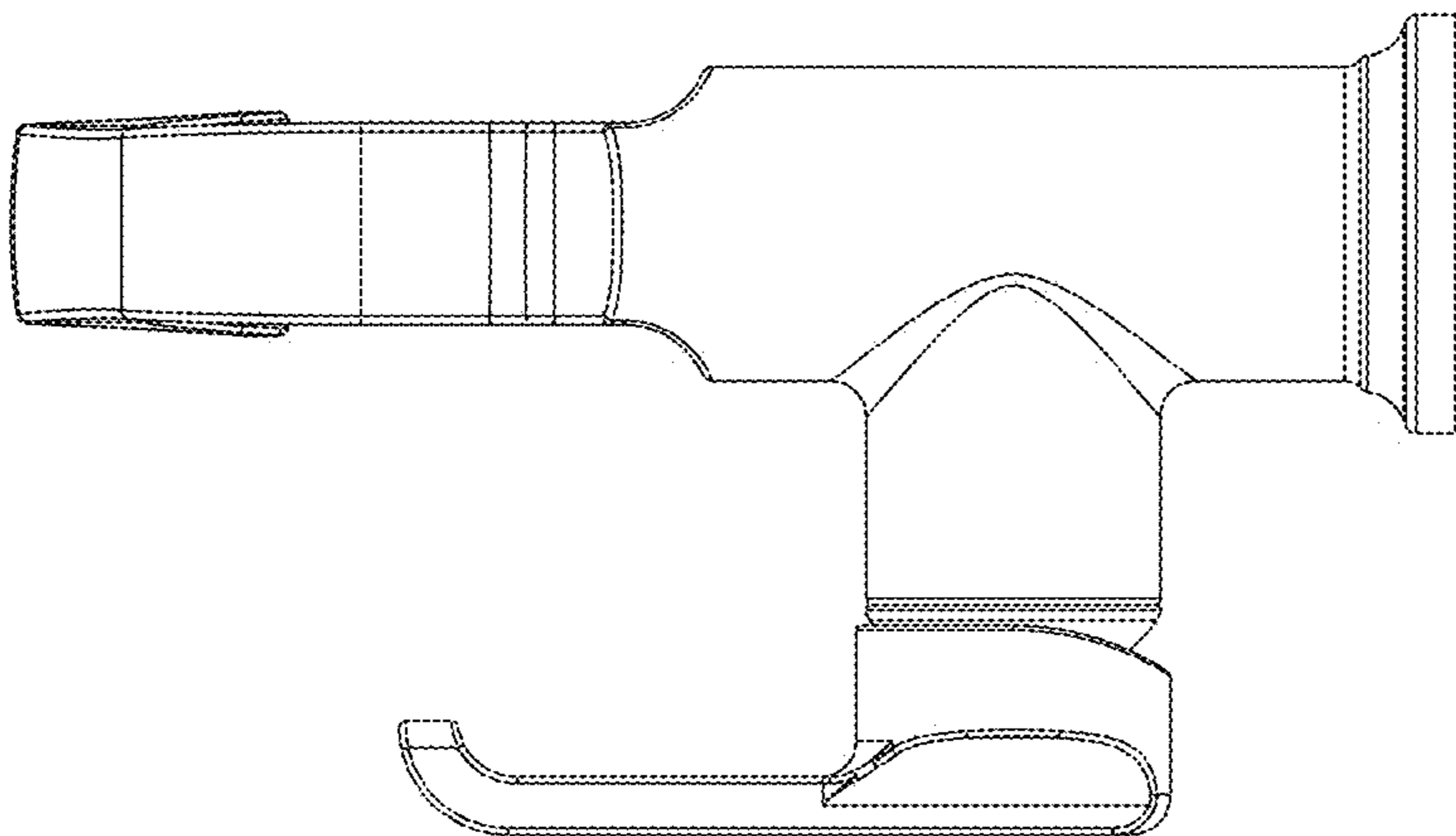


FIG - 5

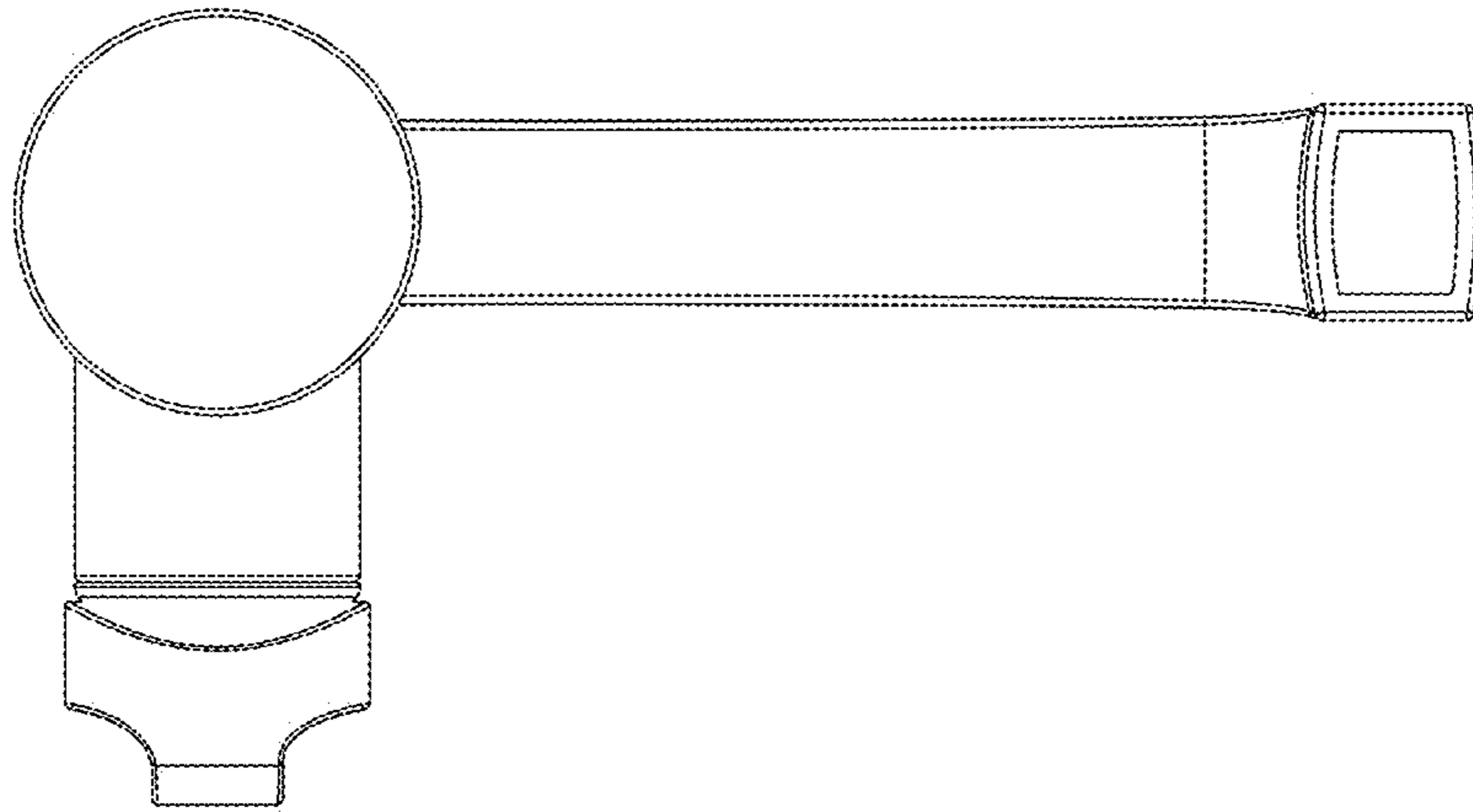


FIG - 8

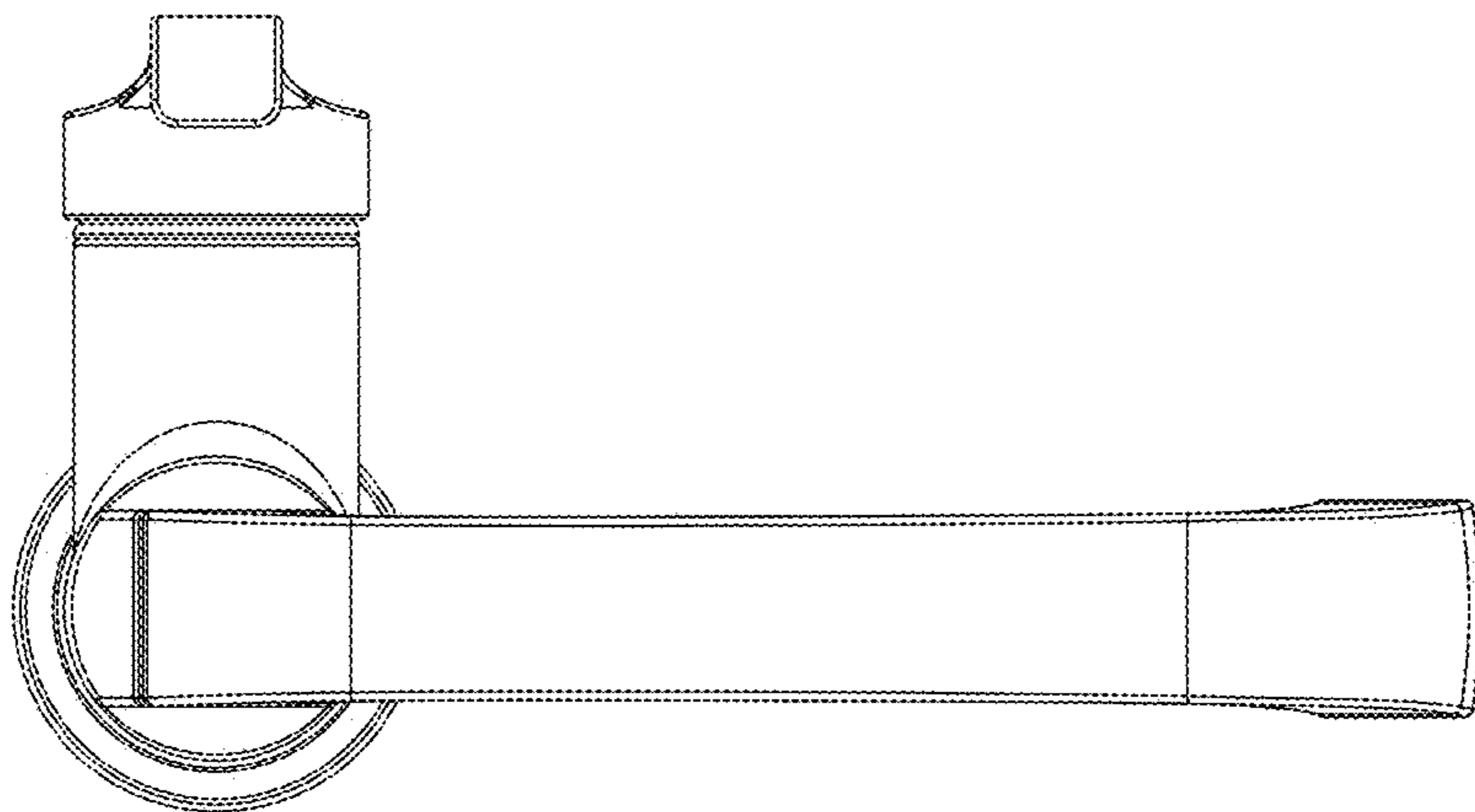


FIG - 7