



US00D986383S

(12) **United States Design Patent** (10) **Patent No.:** **US D986,383 S**  
**Tsai** (45) **Date of Patent:** **\*\* May 16, 2023**

(54) **FAUCET**  
(71) Applicant: **Globe Union Industrial Corp.,**  
Taichung (TW)  
(72) Inventor: **Tun-Yao Tsai,** Taichung (TW)  
(73) Assignee: **Globe Union Industrial Corp.,**  
Taichung (TW)

D702,323 S \* 4/2014 Flowers ..... D23/238  
D713,507 S \* 9/2014 Potter ..... D23/238  
D761,940 S \* 7/2016 Flowers ..... D23/252  
D797,243 S \* 9/2017 Zhang ..... D23/238  
D812,193 S \* 3/2018 Seum ..... D23/238  
D816,802 S \* 5/2018 Tsai ..... D23/238  
D948,671 S \* 4/2022 Kuppert ..... D23/238  
D952,798 S \* 5/2022 Lazarini ..... D23/238  
D954,190 S \* 6/2022 Kim ..... D23/238  
D954,202 S \* 6/2022 Garland ..... D23/238

(\*\*) Term: **15 Years**

**FOREIGN PATENT DOCUMENTS**

(21) Appl. No.: **29/783,933**

CN 202130335372.0 \* 6/2021  
WO WO-D066346-001 \* 10/2004

(22) Filed: **May 17, 2021**

\* cited by examiner

(51) **LOC (14) Cl.** ..... **23-01**

*Primary Examiner* — Samantha Wood

(52) **U.S. Cl.**  
USPC ..... **D23/249**

(74) *Attorney, Agent, or Firm* — Karin L. Williams; Alan D. Kamrath; Mayer & Williams PC

(58) **Field of Classification Search**  
USPC ..... D23/238, 239, 240, 241, 242, 243, 246,  
D23/247, 249, 250, 251, 252, 253, 254,  
D23/255, 256, 257  
CPC ..... E03C 1/00; E03C 1/01; E03C 1/02; E03C  
1/023; E03C 1/04; E03C 1/0401; E03C  
1/0403; E03C 1/0404; E03C 1/0405;  
E03C 1/0412; E03C 1/05; E03C 1/042;  
F16K 31/60

(57) **CLAIM**

The ornamental design for a faucet, as shown and described.

See application file for complete search history.

**DESCRIPTION**

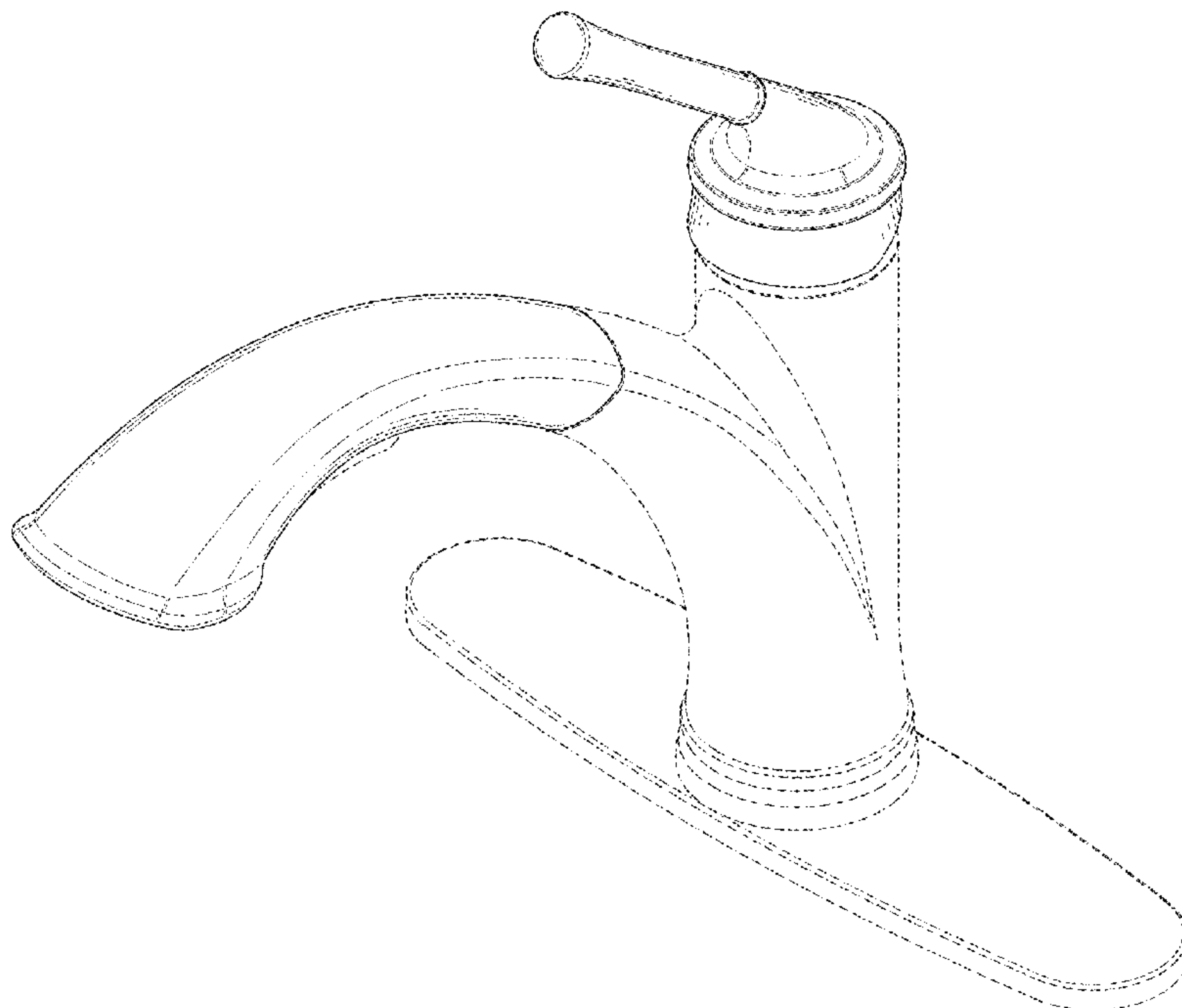
FIG. 1 is a perspective view of a faucet showing my new design;  
FIG. 2 is a front elevational view thereof;  
FIG. 3 is a rear elevational view thereof;  
FIG. 4 is a left side elevational view thereof;  
FIG. 5 is a right side elevational view thereof;  
FIG. 6 is a top plan view thereof; and,  
FIG. 7 is a bottom plan view thereof.  
The broken lines are included for the purpose of illustrating portions of the article and form no part of the claimed design.

(56) **References Cited**

**U.S. PATENT DOCUMENTS**

D476,396 S \* 6/2003 Hanna ..... D23/238  
D476,720 S \* 7/2003 Hanna ..... D23/238  
D482,757 S \* 11/2003 Blomstrom ..... D23/252  
D572,798 S \* 7/2008 Bickler ..... D23/238  
D624,988 S \* 10/2010 Lammel ..... D23/238  
D627,860 S \* 11/2010 Sedwick ..... D23/252

**1 Claim, 7 Drawing Sheets**



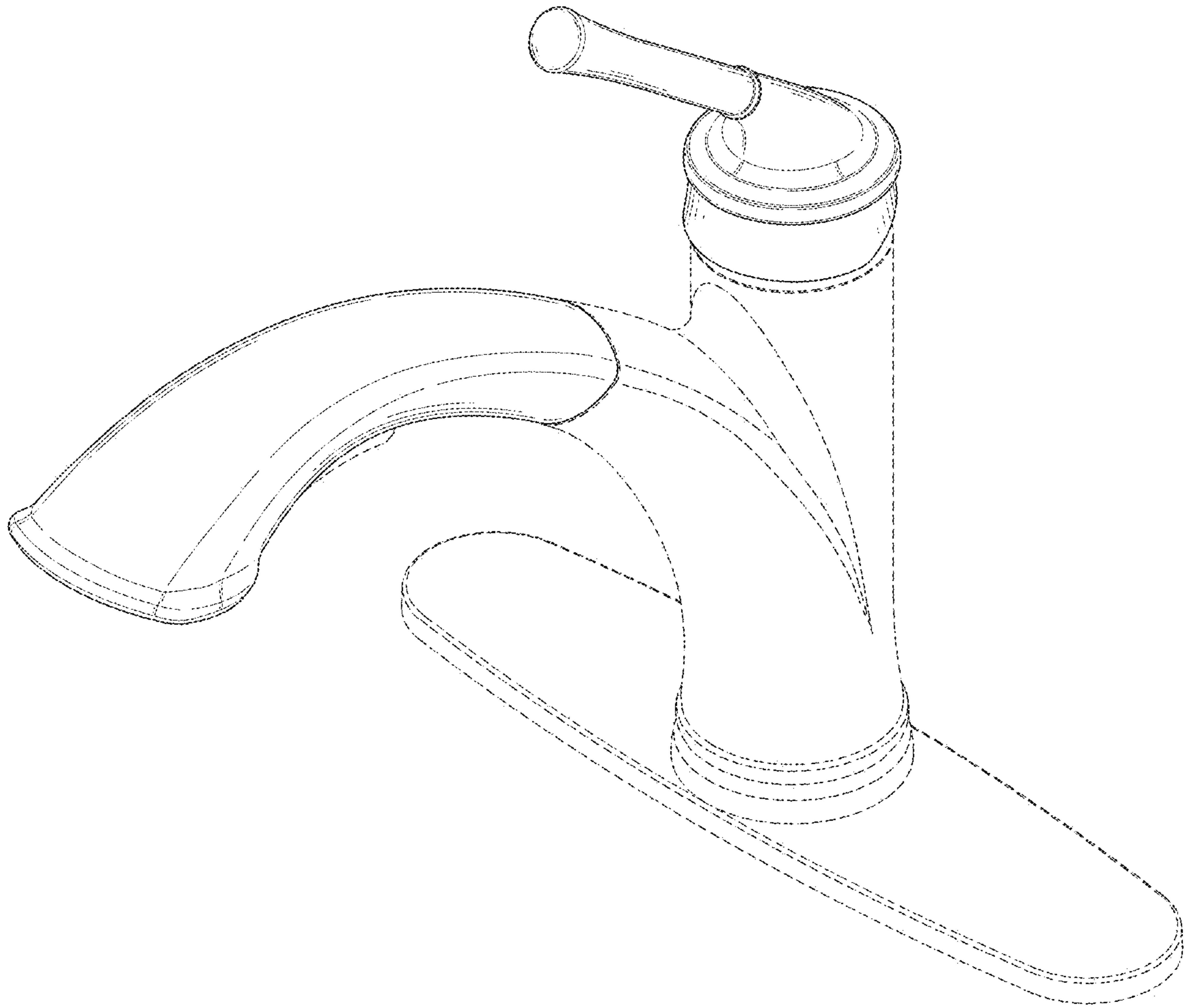


FIG. 1

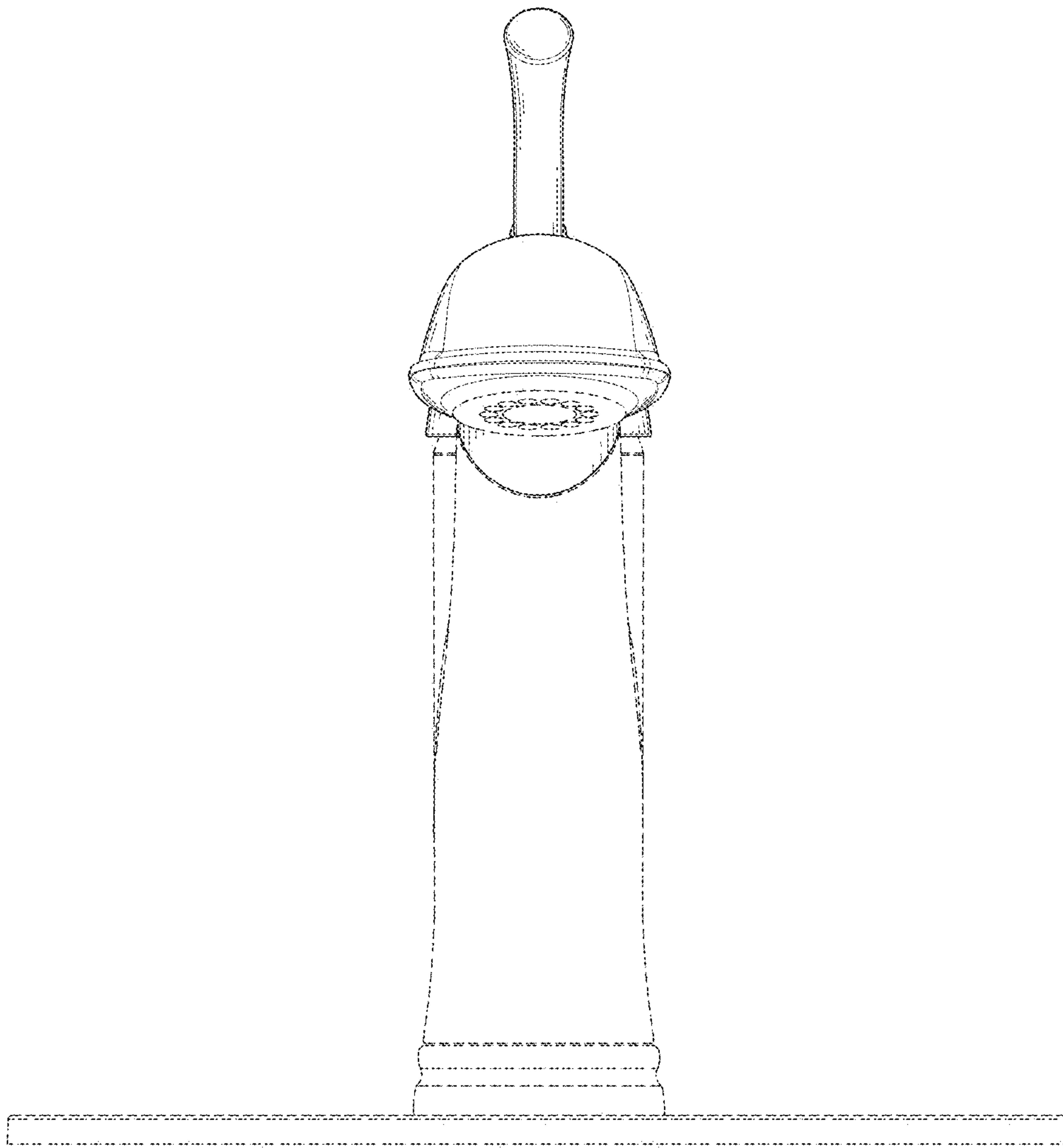


FIG. 2

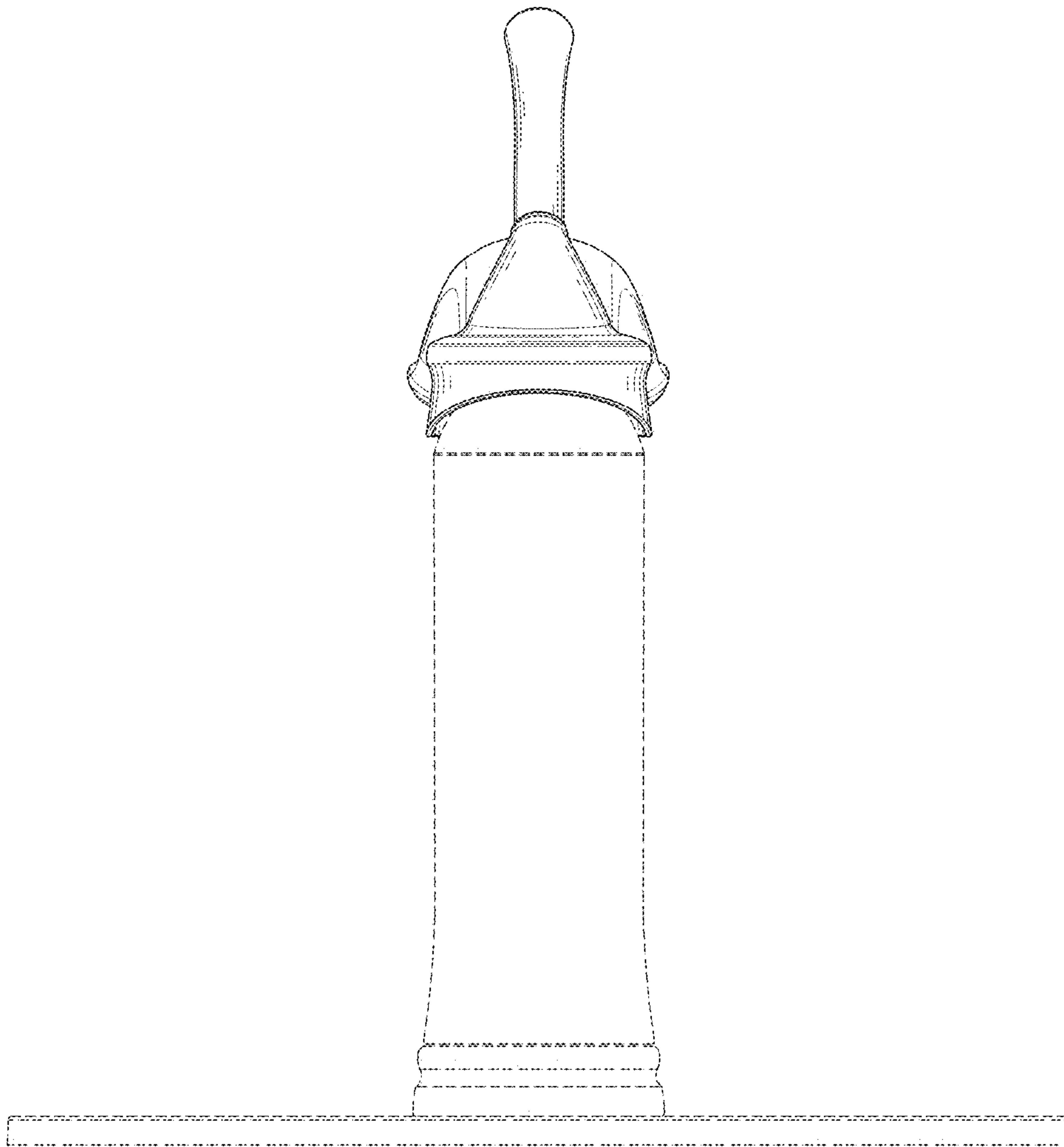


FIG. 3

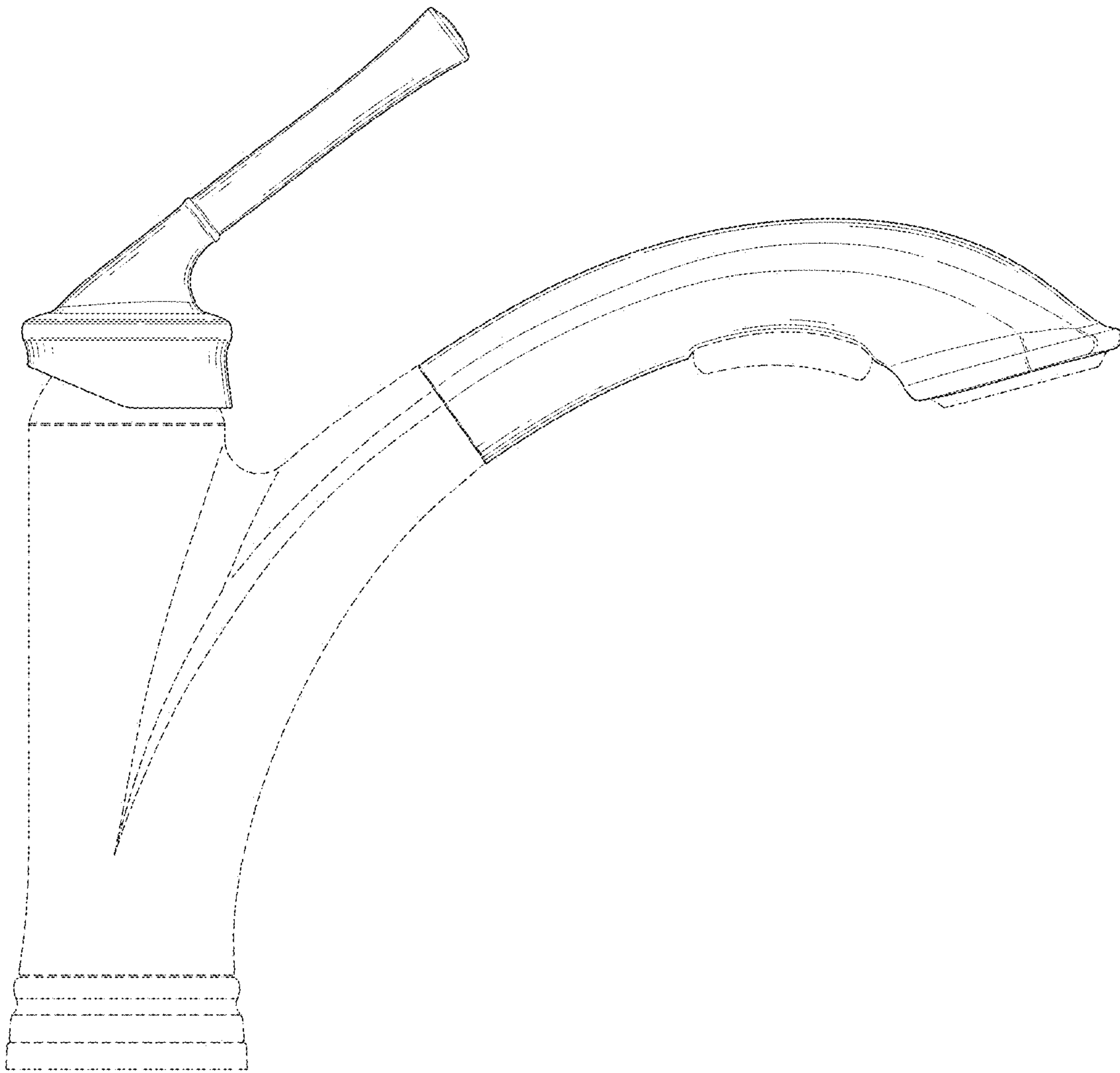


FIG. 4

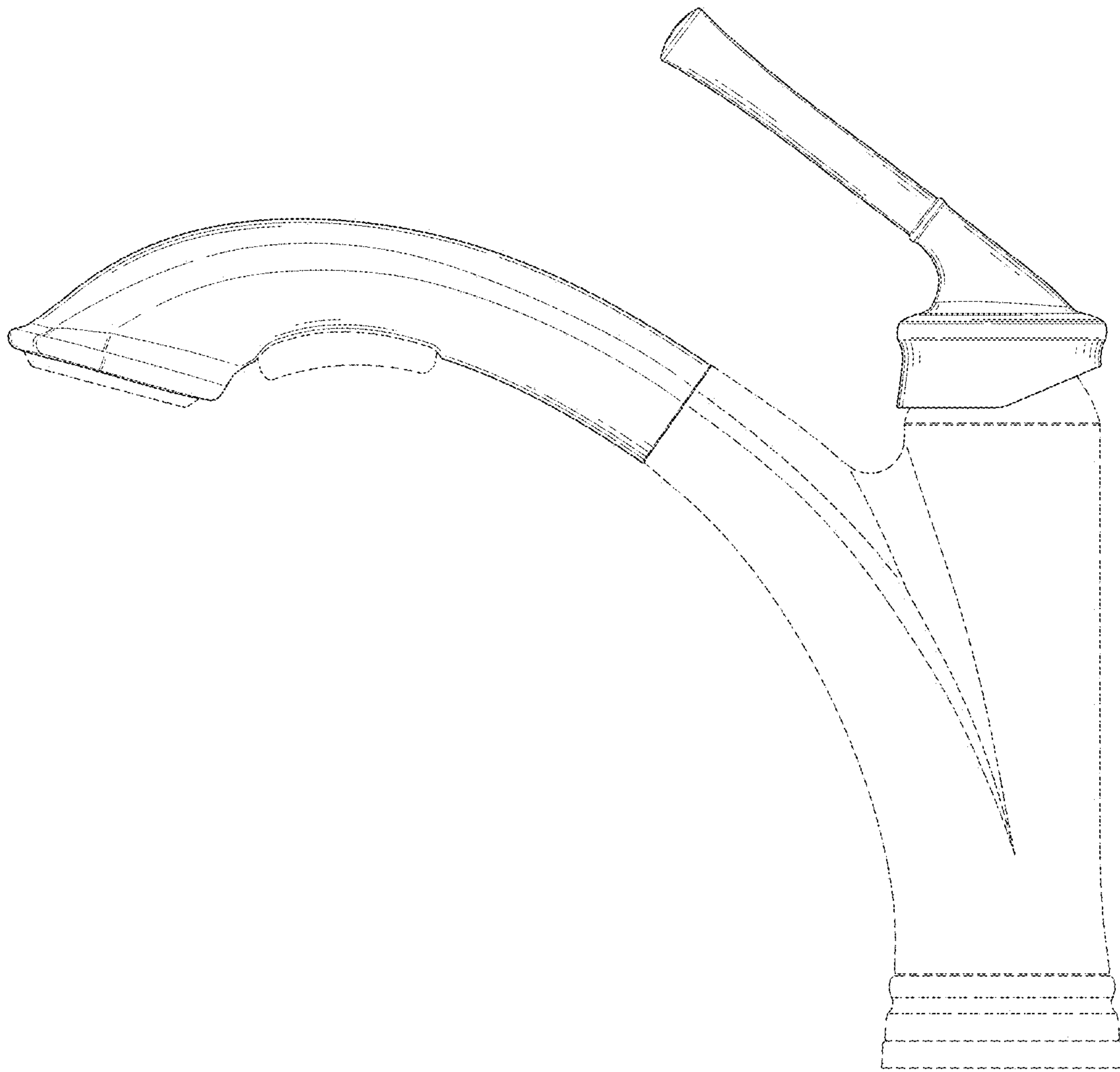


FIG. 5

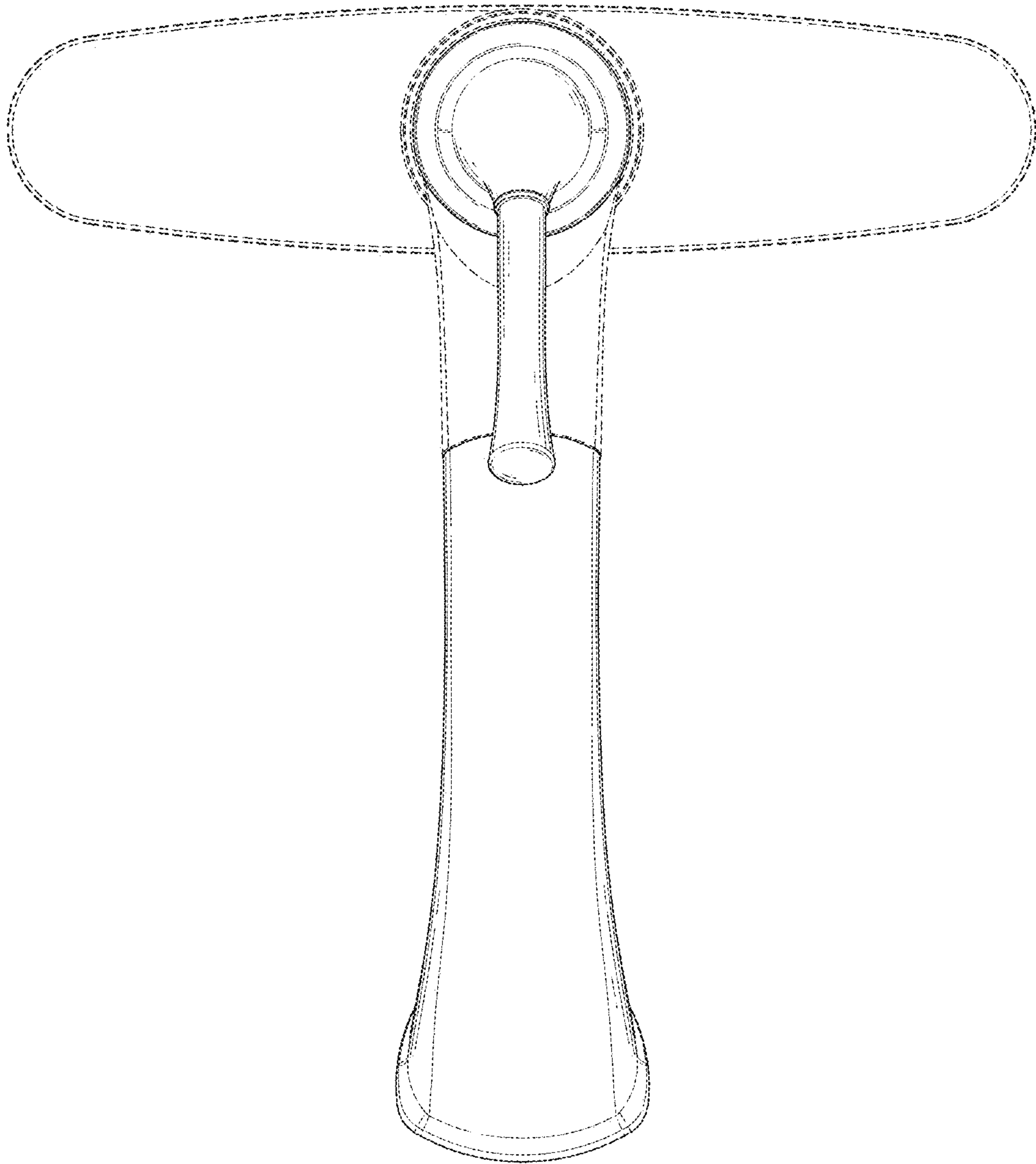


FIG. 6



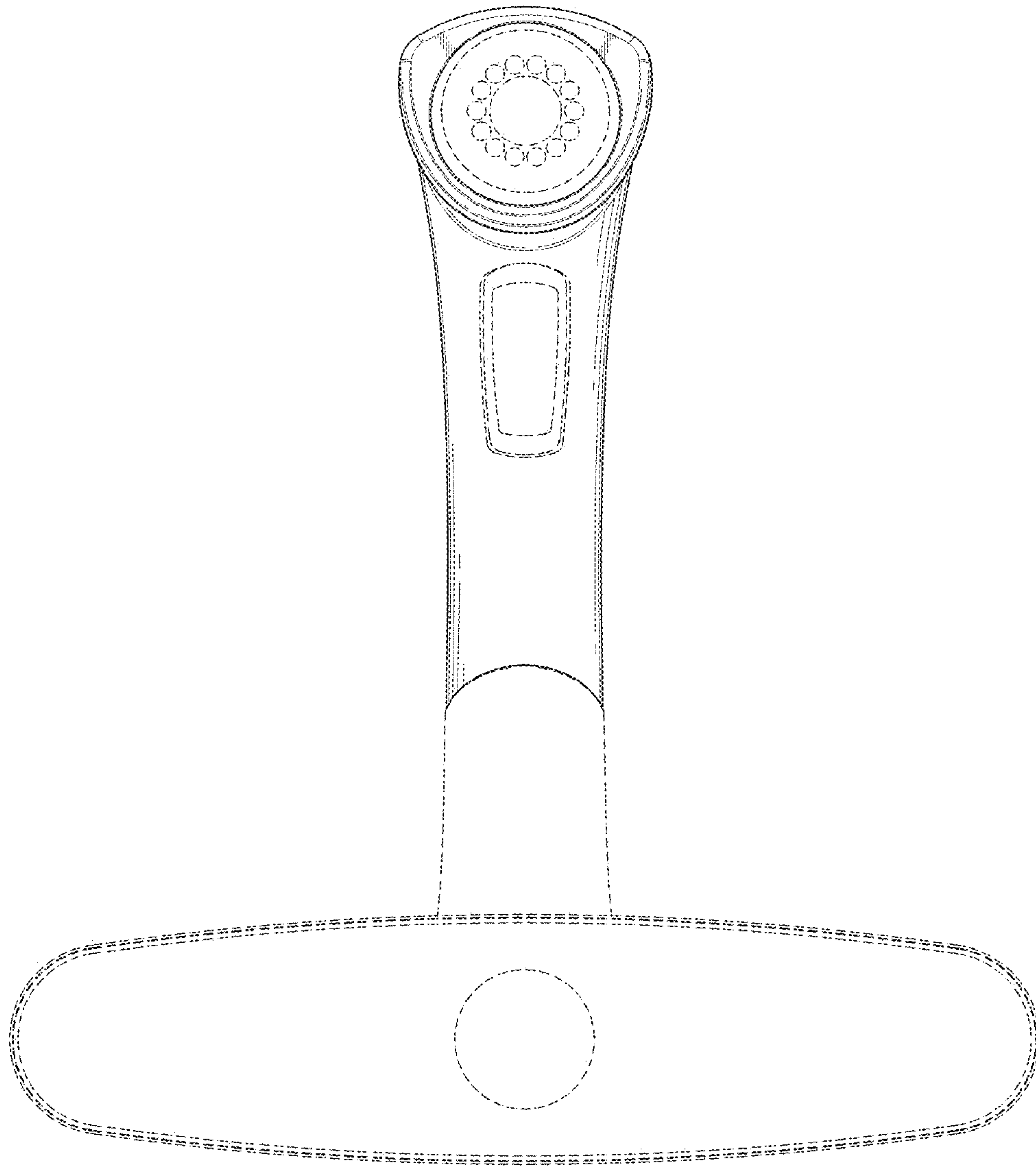


FIG. 7