



US00D986382S

(12) **United States Design Patent**  
**Garland**

(10) **Patent No.:** **US D986,382 S**

(45) **Date of Patent:** **\*\* May 16, 2023**

(54) **FAUCET**

(71) Applicant: **DELTA FAUCET COMPANY,**  
Indianapolis, IN (US)

(72) Inventor: **Celine Kwok Garland,** Zionsville, IN  
(US)

(73) Assignee: **DELTA FAUCET COMPANY,**  
Indianapolis, IN (US)

(\*\*) Term: **15 Years**

(21) Appl. No.: **29/779,391**

(22) Filed: **Apr. 19, 2021**

(51) **LOC (14) Cl.** ..... **23-01**

(52) **U.S. Cl.**  
USPC ..... **D23/238**

(58) **Field of Classification Search**  
USPC ..... D23/238–243, 250, 252, 254–255, 257;  
D8/307–308  
See application file for complete search history.

(56) **References Cited**

**U.S. PATENT DOCUMENTS**

D828,508 S \* 9/2018 Fritz ..... D23/238  
D870,852 S \* 12/2019 Eads ..... D23/238

D873,960 S \* 1/2020 Fritz ..... D23/238  
D914,144 S \* 3/2021 Levi ..... D23/238  
D931,418 S \* 9/2021 Para ..... D23/238  
D940,278 S \* 1/2022 Stoler ..... D23/238  
D953,491 S \* 5/2022 Kuang ..... D23/238  
D954,906 S \* 6/2022 Para ..... D23/238

\* cited by examiner

*Primary Examiner* — Robert A Delehanty

(74) *Attorney, Agent, or Firm* — Jeffrey L. Doyle

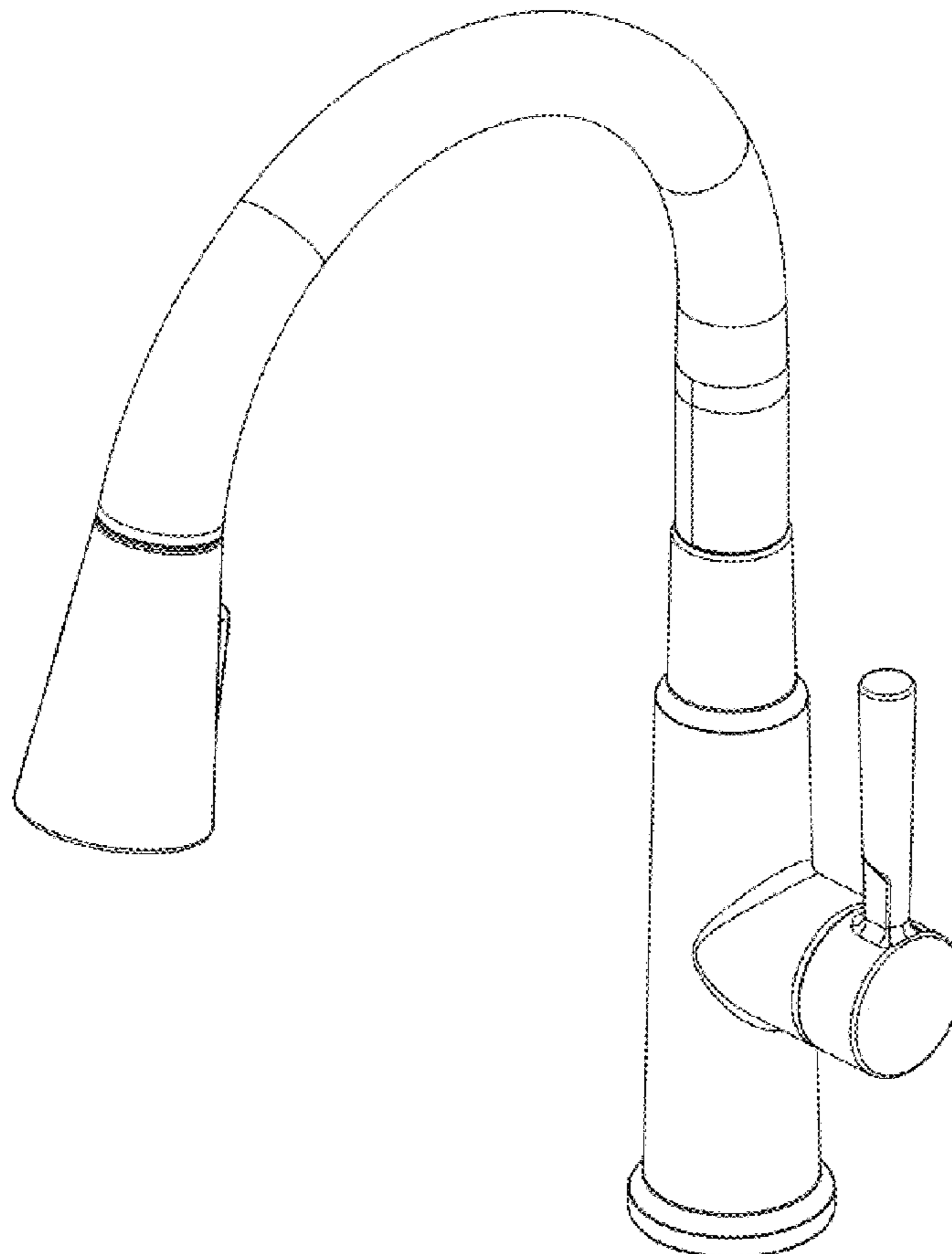
(57) **CLAIM**

The ornamental design for a faucet, as shown and described.

**DESCRIPTION**

FIG. 1 is a front perspective view of a faucet showing my new design;  
FIG. 2 is a rear perspective view thereof;  
FIG. 3 is a front elevational view thereof;  
FIG. 4 is a left side view thereof;  
FIG. 5 is a rear view thereof;  
FIG. 6 is a right side view thereof;  
FIG. 7 is a top plan view thereof; and,  
FIG. 8 is a bottom view thereof.

**1 Claim, 4 Drawing Sheets**



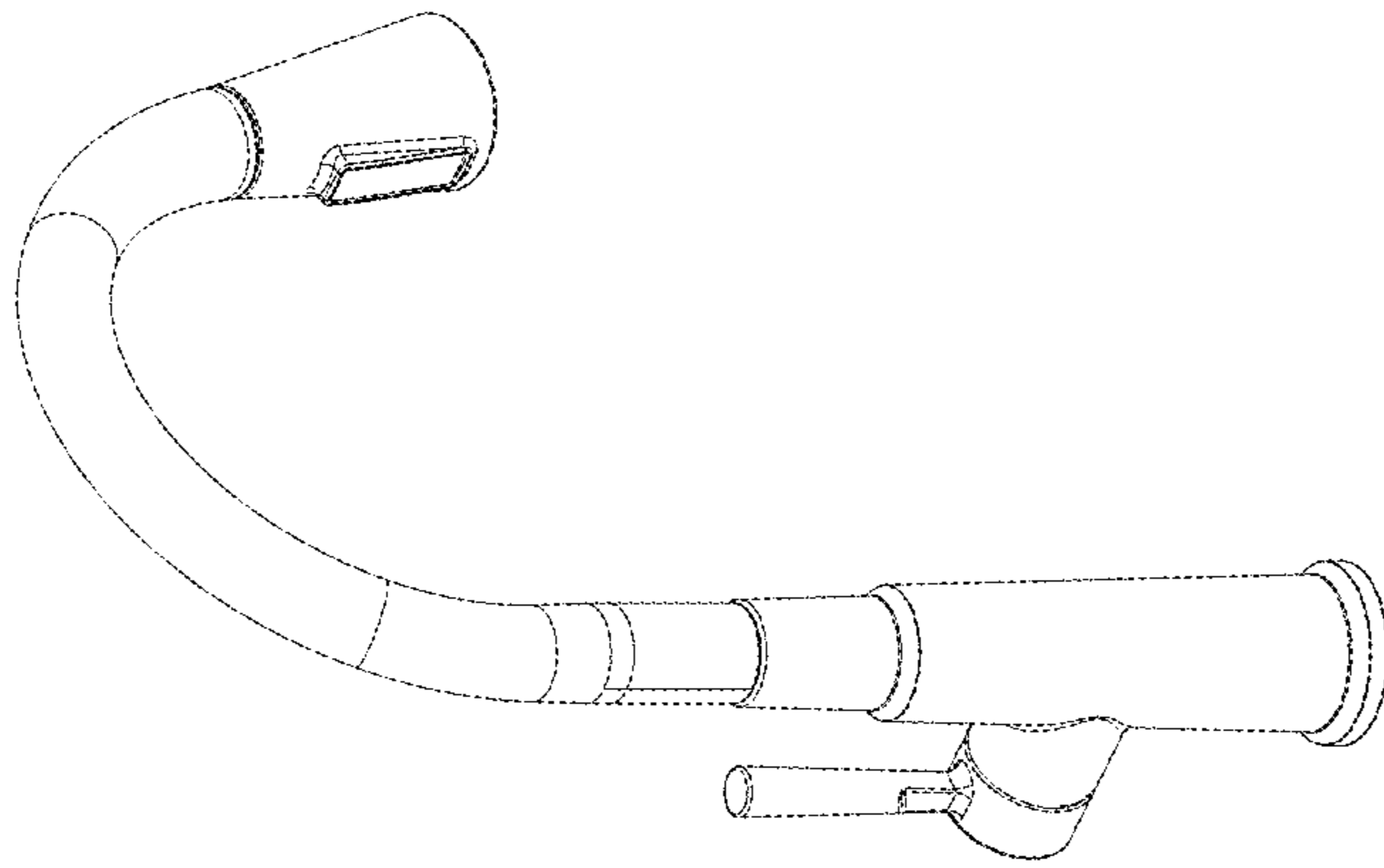


FIG - 2

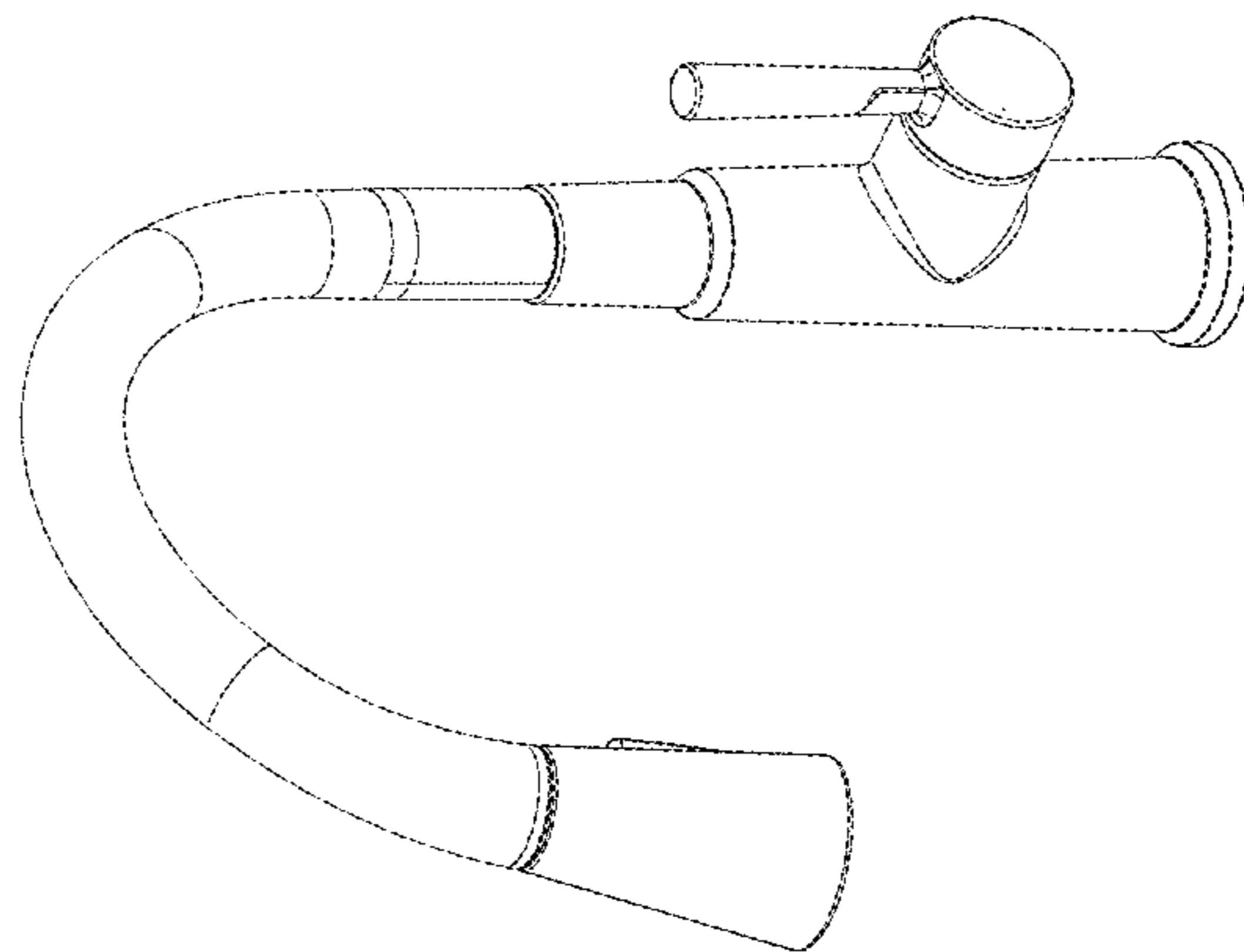


FIG - 1

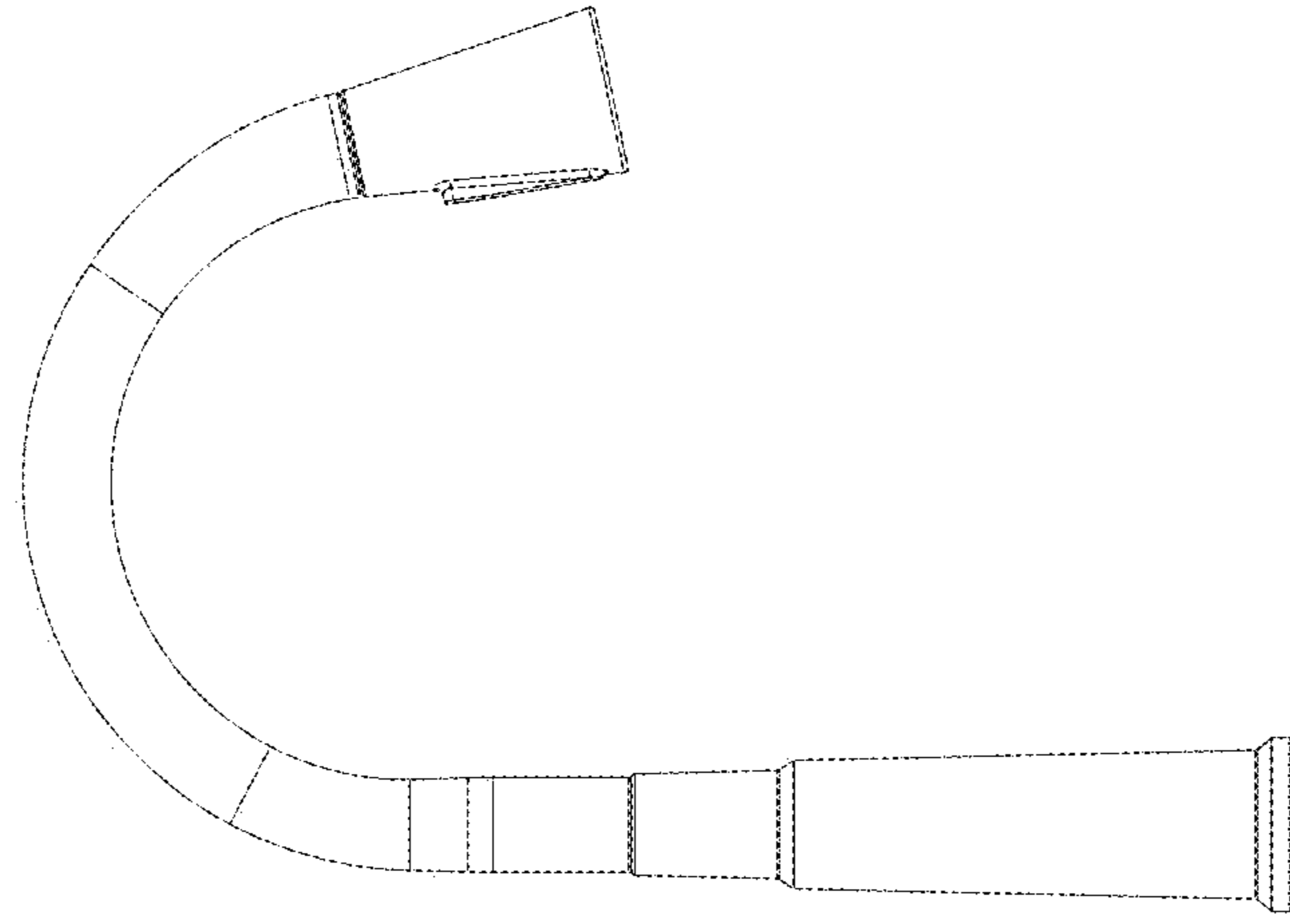


FIG - 4

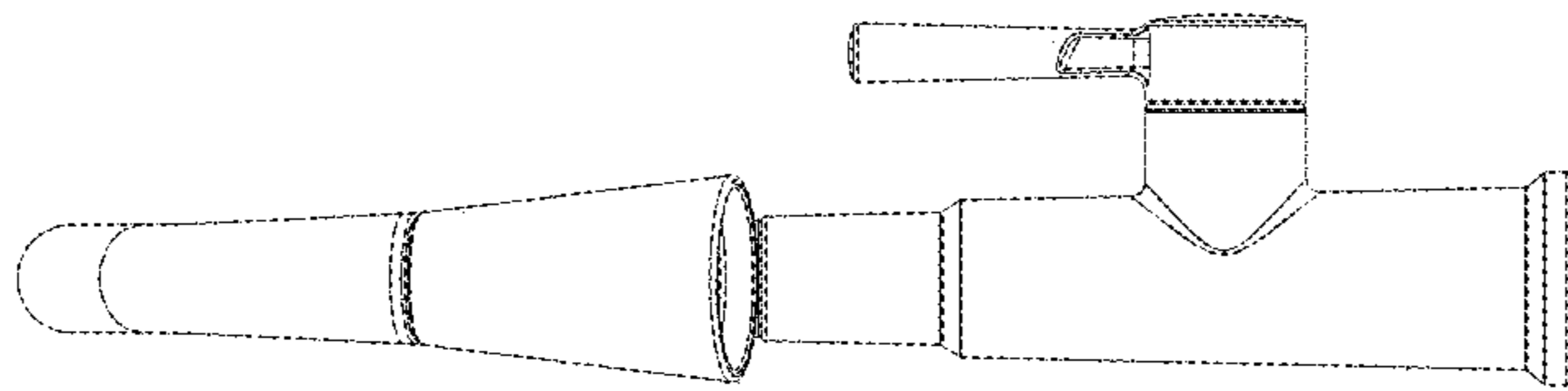


FIG - 3

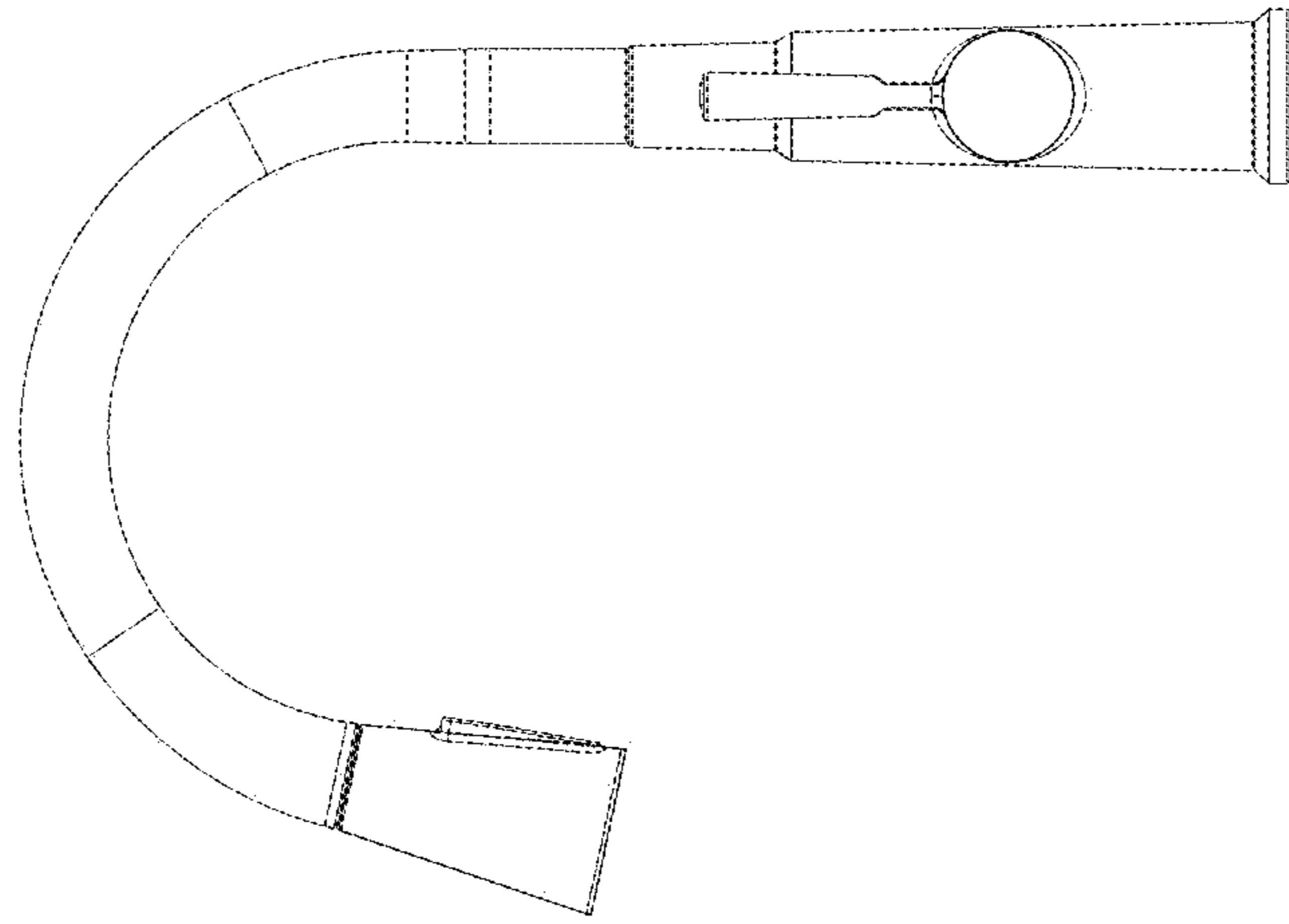


FIG - 6

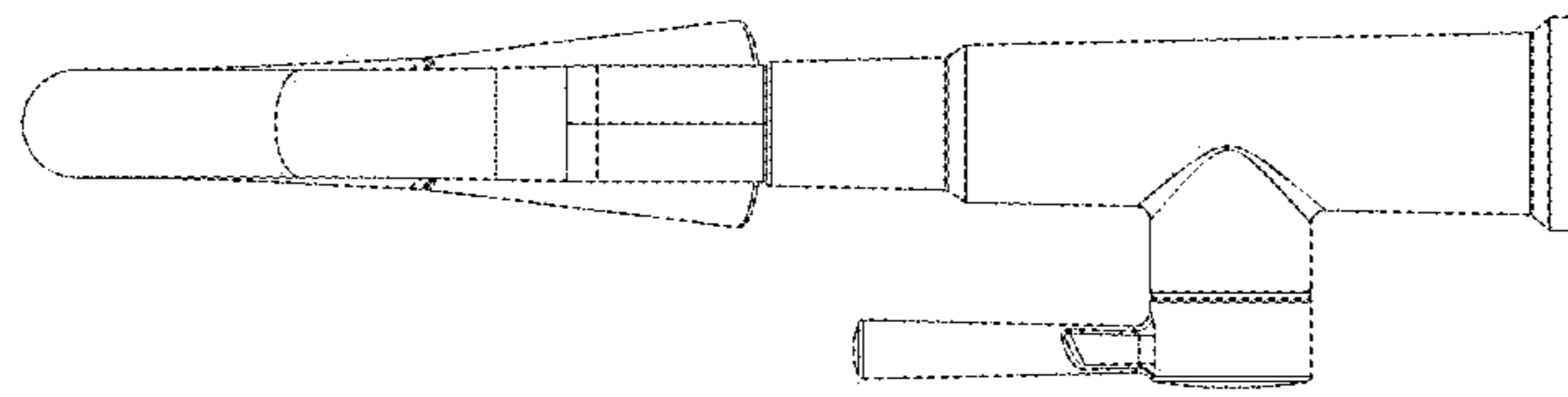


FIG - 5

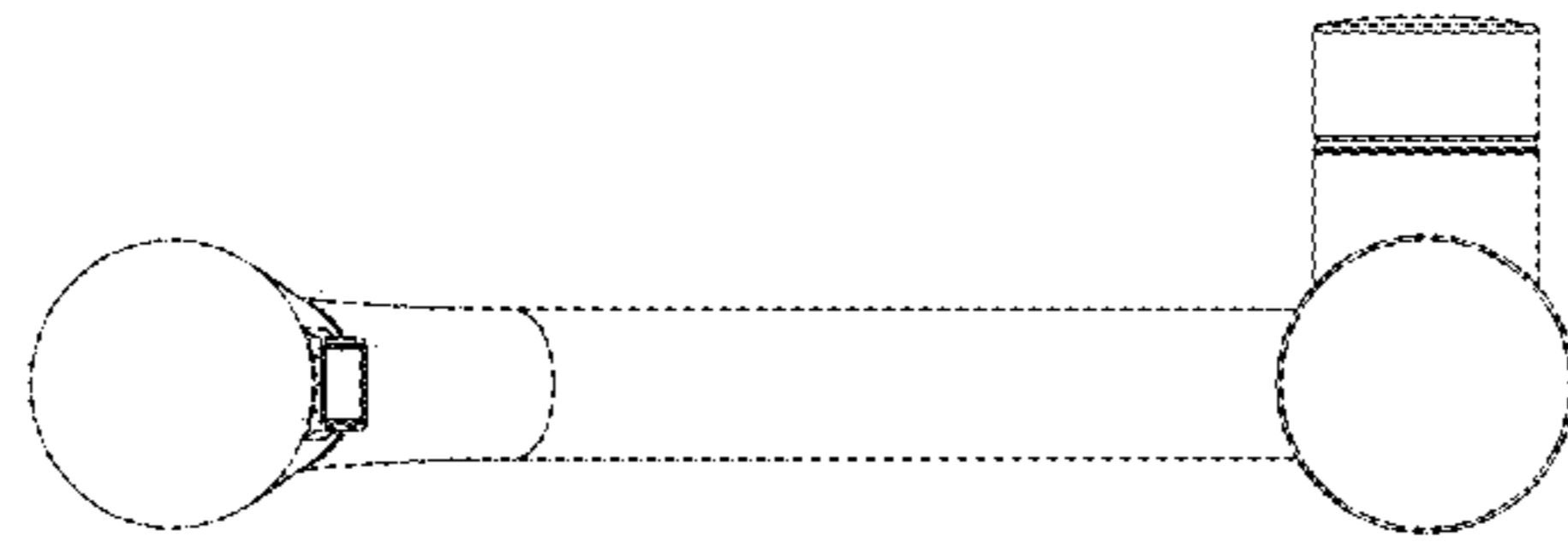


FIG - 8

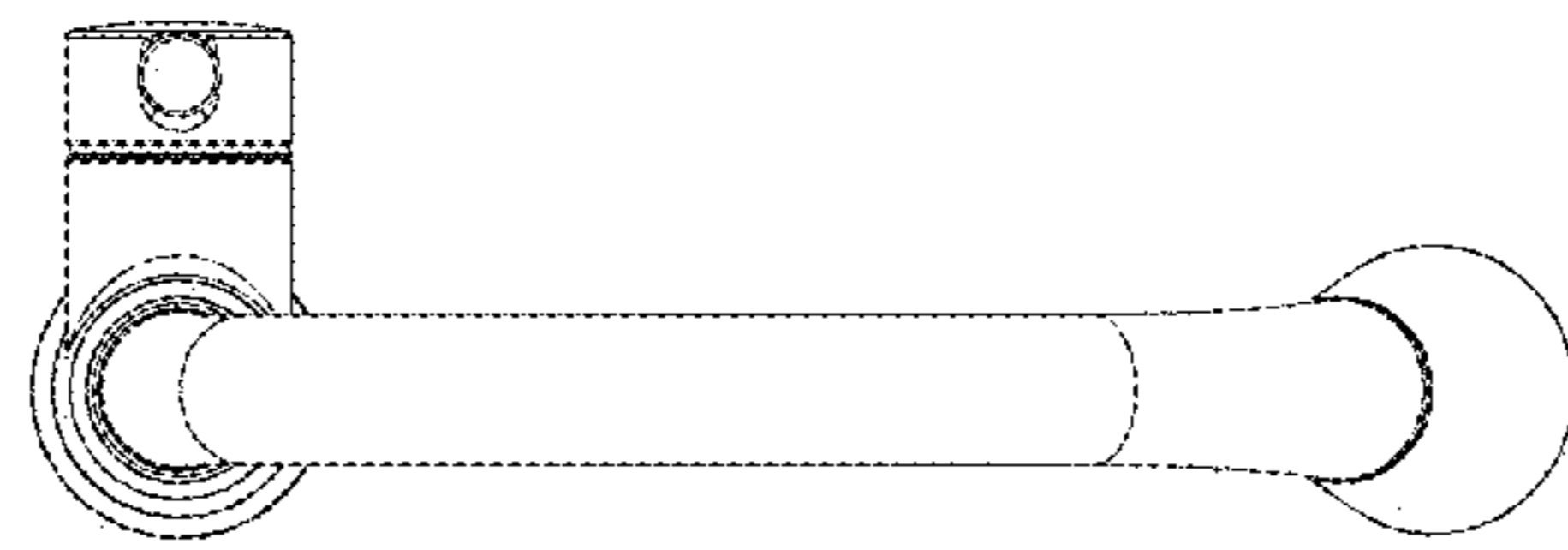


FIG - 7