



US00D986381S

(12) **United States Design Patent**  
**Aneder**

(10) **Patent No.:** **US D986,381 S**

(45) **Date of Patent:** **\*\* May 16, 2023**

(54) **HYDRAULIC COMPONENT HOUSING FOR A HYDRAULIC VALVE**

(71) Applicant: **HAWE Hydraulik SE**, Aschheim (DE)

(72) Inventor: **Georg Aneder**, Emmering (DE)

(73) Assignee: **HAWE HYDRAULIK SE**, Aschheim (DE)

(\*\*) Term: **15 Years**

(21) Appl. No.: **29/753,951**

(22) Filed: **Oct. 5, 2020**

(30) **Foreign Application Priority Data**

Apr. 7, 2020 (EM) ..... 007 794 359-0001

(51) **LOC (14) Cl.** ..... **23-01**

(52) **U.S. Cl.**  
USPC ..... **D23/249**

(58) **Field of Classification Search**  
USPC ..... D23/249; 137/884; 251/59  
CPC . F16K 11/07; F16K 27/00; F16K 1/36; F16K 31/12; F16K 31/383; F15B 13/042; F15B 13/0821; F15B 2211/428; F15B 2201/405; F15B 2211/329

See application file for complete search history.

(56) **References Cited**

**U.S. PATENT DOCUMENTS**

D286,907 S \* 11/1986 Hilpert ..... D23/249  
D287,268 S \* 12/1986 Hilpert ..... D23/249

11,339,888 B2 \* 5/2022 Aneder ..... F16K 27/0263  
2011/0186758 A1 \* 8/2011 Goldbeck ..... B23P 17/00 251/59  
2020/0191292 A1 \* 6/2020 Aneder ..... B21D 53/10  
2020/0318769 A1 \* 10/2020 Aneder ..... F16K 27/041

\* cited by examiner

*Primary Examiner* — Gino Colan

(74) *Attorney, Agent, or Firm* — Dinsmore & Shohl LLP

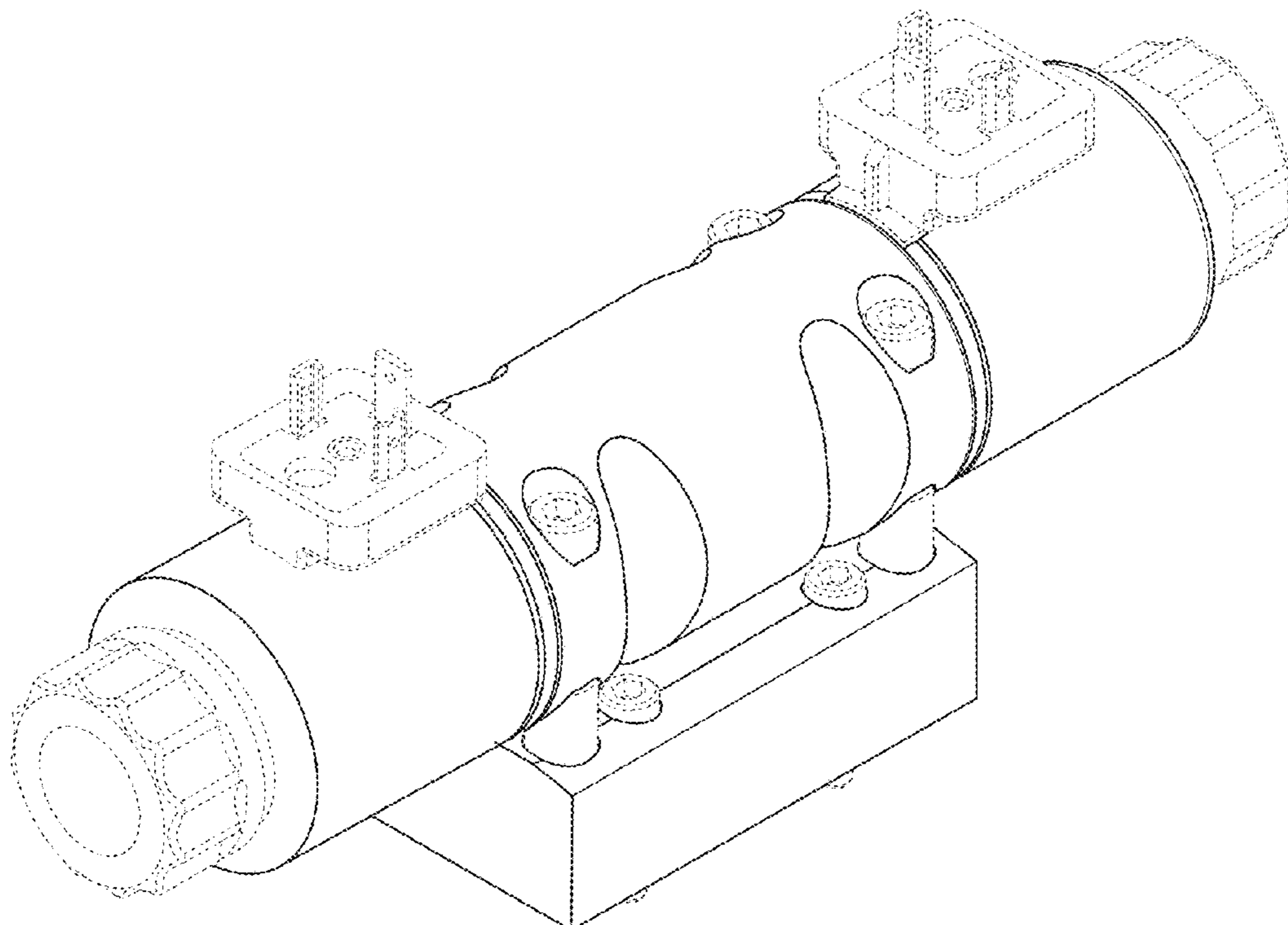
(57) **CLAIM**

The ornamental design for hydraulic component housing for a hydraulic valve, as shown and described.

**DESCRIPTION**

FIG. 1 is a perspective view of a hydraulic component housing for a hydraulic valve according to an embodiment of the present invention; FIG. 2 is a first side view of the hydraulic component housing for a hydraulic valve of FIG. 1; FIG. 3 is a second side view of the hydraulic component housing for a hydraulic valve of FIGS. 1 and 2; FIG. 4 is a first end view of the hydraulic component housing for a hydraulic valve of FIGS. 1-3; FIG. 5 is a second end view of the hydraulic component housing for a hydraulic valve of FIGS. 1-4; FIG. 6 is a top view of the hydraulic component housing for a hydraulic valve of FIGS. 1-5; and, FIG. 7 is a bottom view of the hydraulic component housing for a hydraulic valve of FIGS. 1-6. The broken line portions of the FIGS. illustrate unclaimed portions of the design.

**1 Claim, 7 Drawing Sheets**



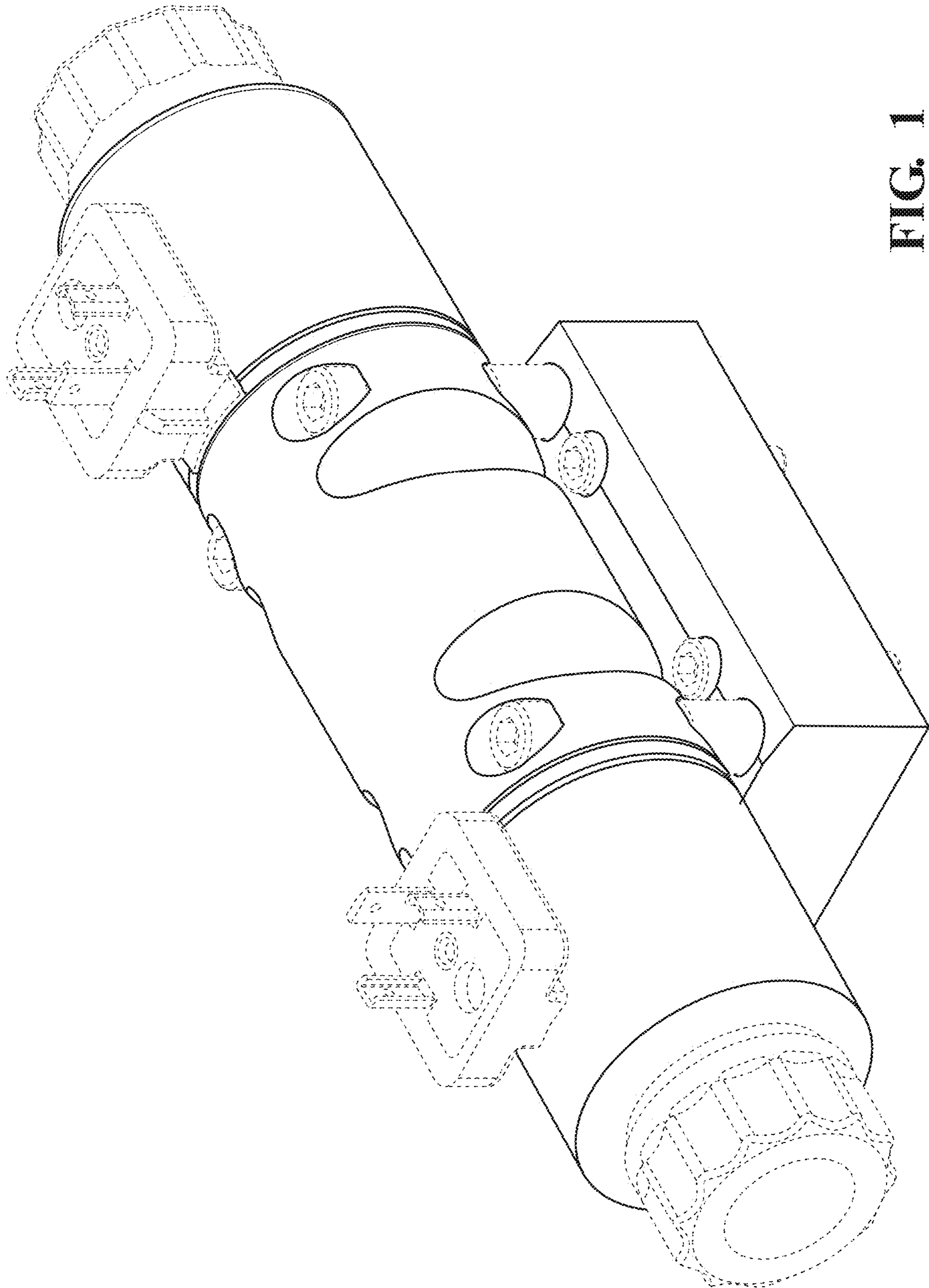


FIG. 1

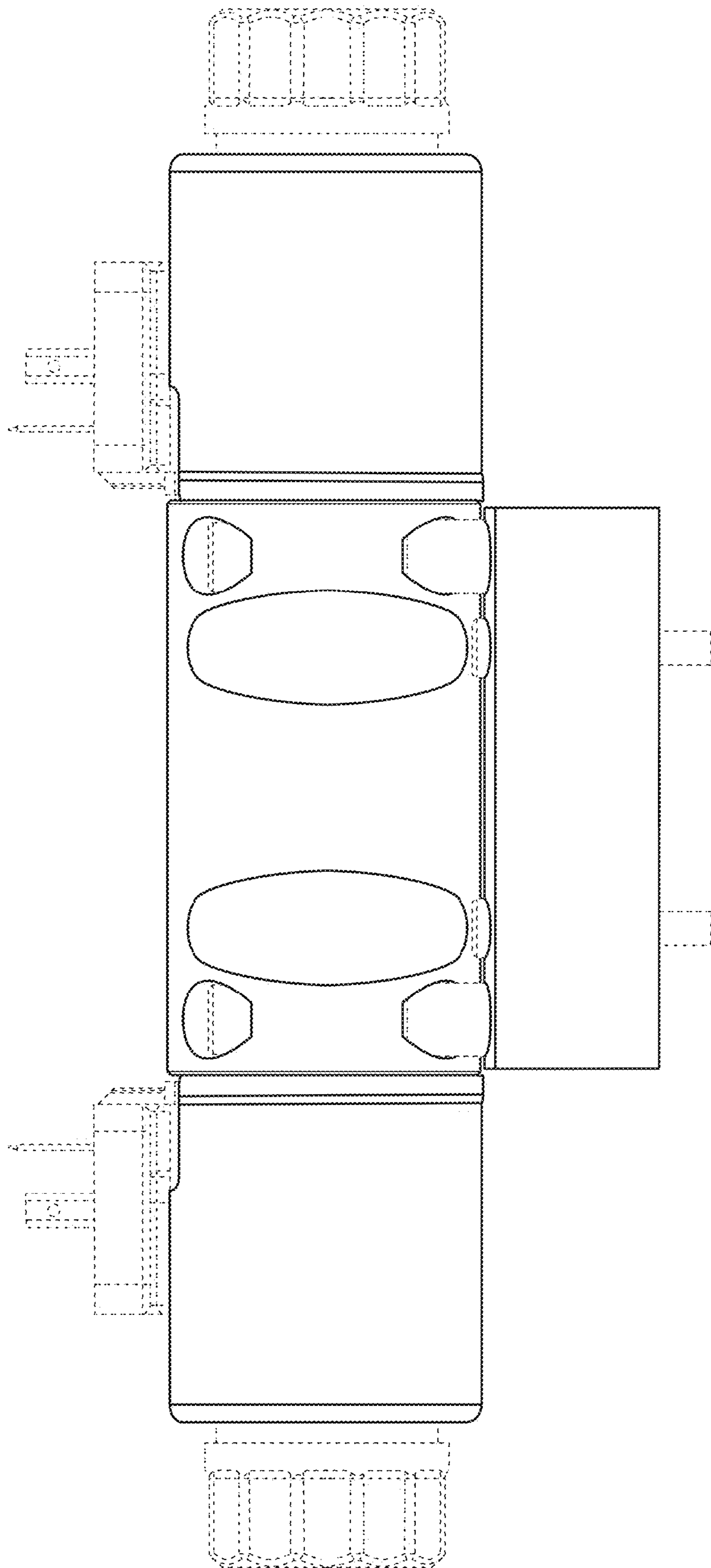


FIG. 2

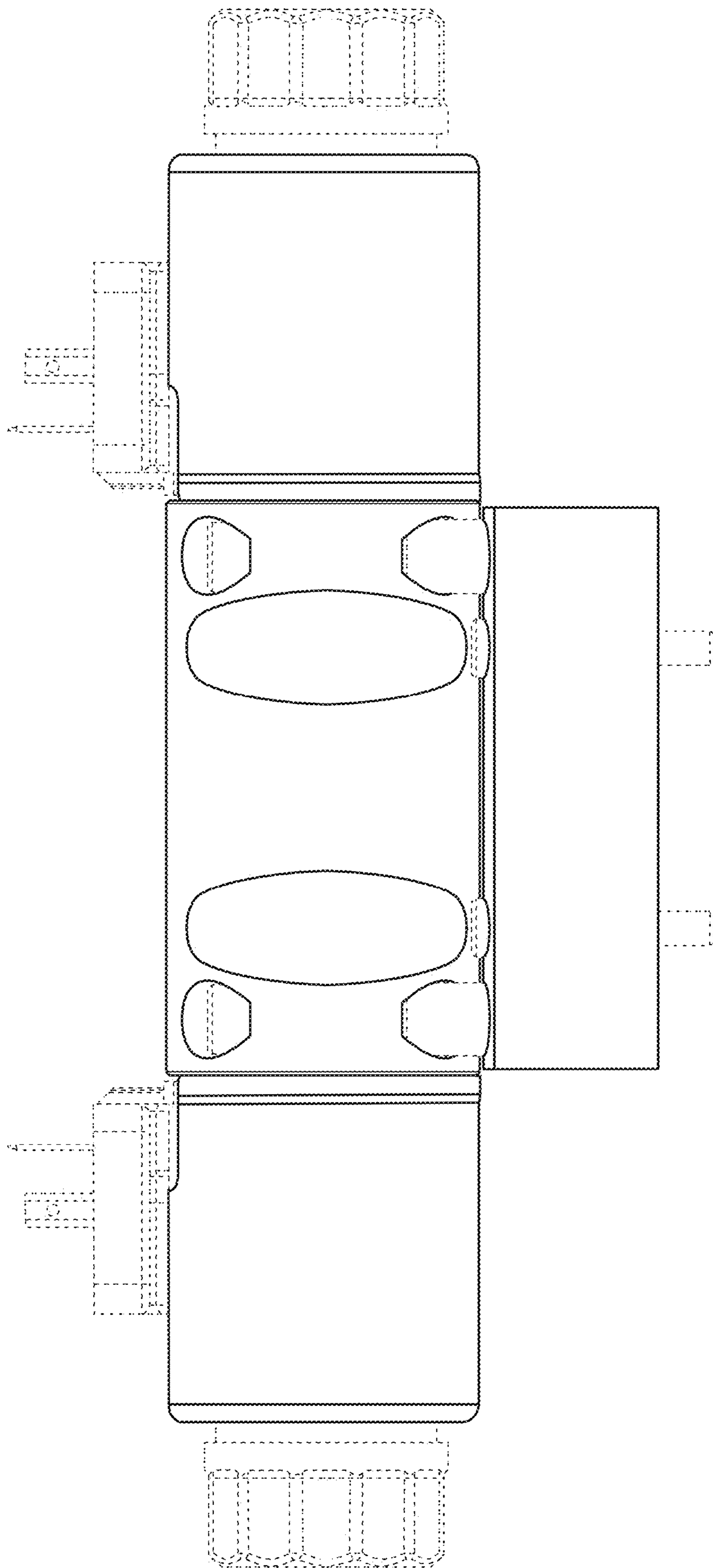
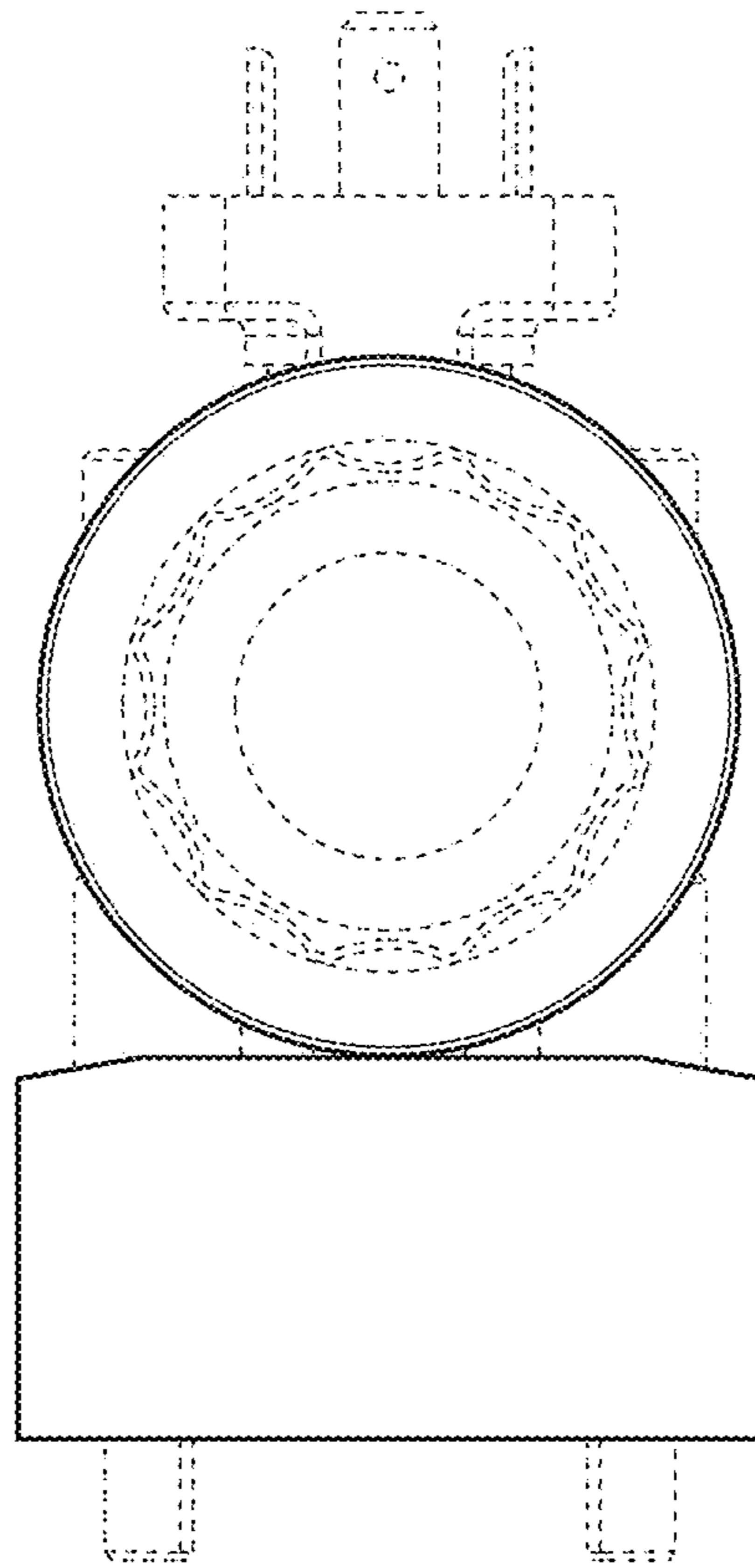
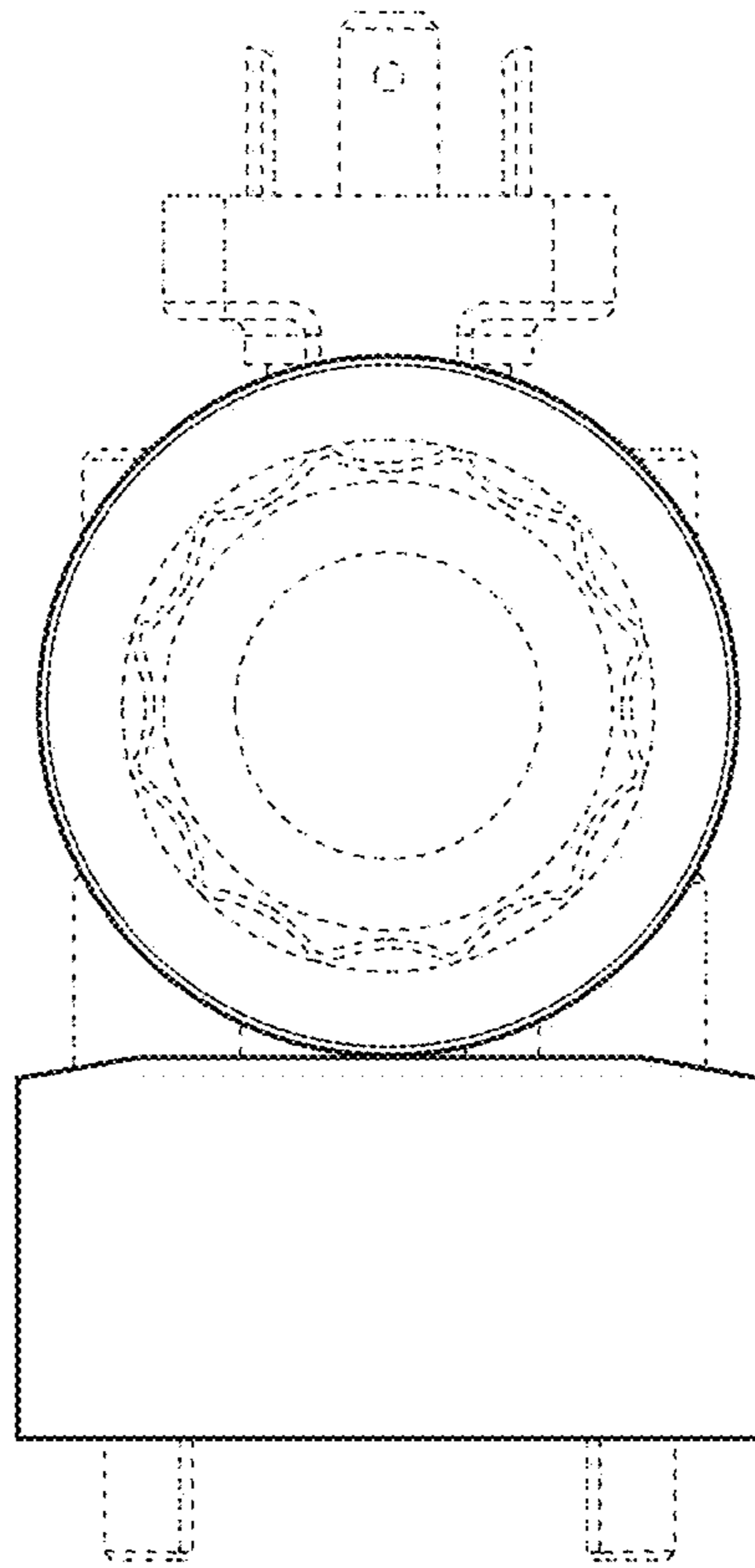


FIG. 3



**FIG. 4**



**FIG. 5**

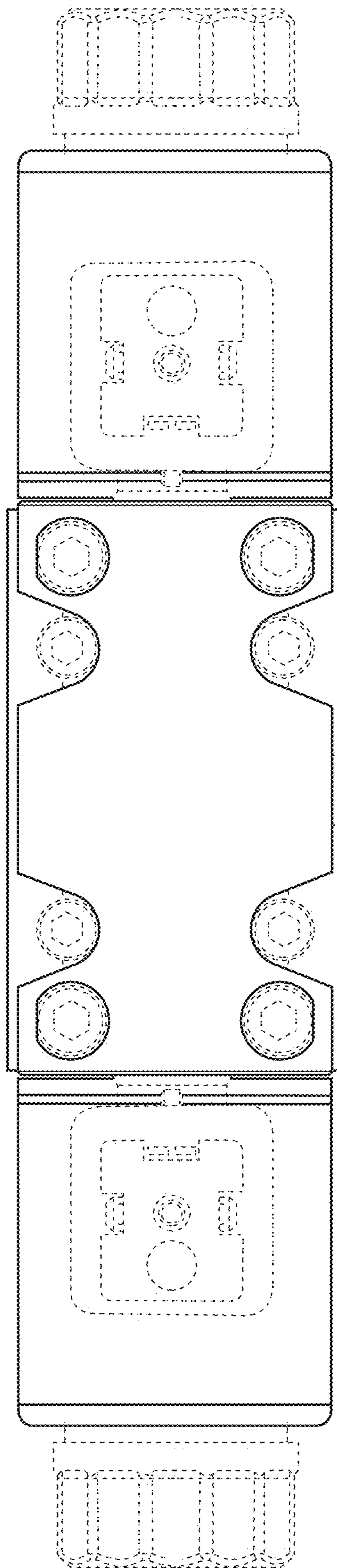


FIG. 6

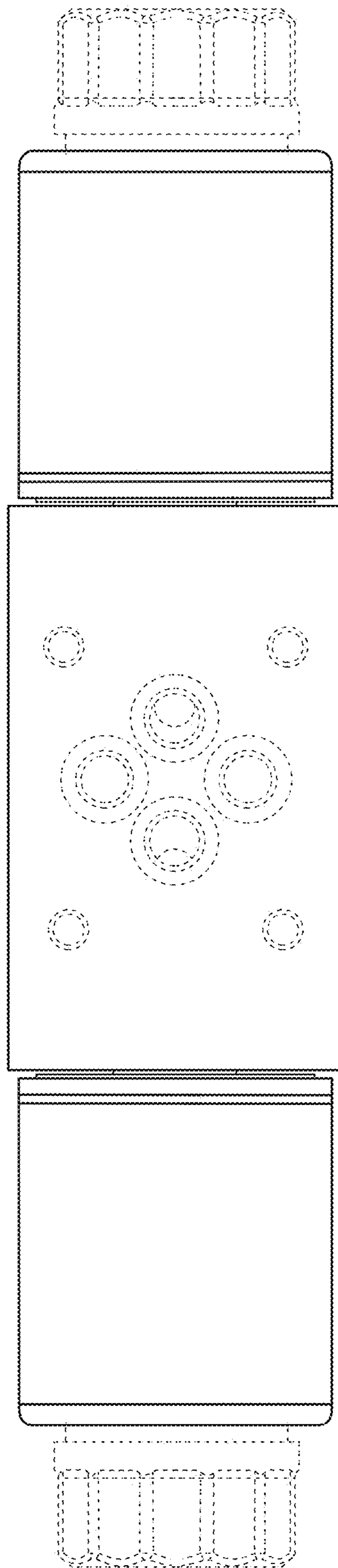


FIG. 7