



US00D986380S

(12) **United States Design Patent** (10) **Patent No.:** **US D986,380 S**
Aner (45) **Date of Patent:** **** May 16, 2023**

(54) **HYDRAULIC COMPONENT HOUSING FOR A HYDRAULIC VALVE**

(71) Applicant: **HAWE Hydraulik SE**, Aschheim (DE)

(72) Inventor: **Georg Aner**, Emmering (DE)

(73) Assignee: **HAWE HYDRAULIK SE**, Aschheim (DE)

(**) Term: **15 Years**

(21) Appl. No.: **29/753,936**

(22) Filed: **Oct. 5, 2020**

(30) **Foreign Application Priority Data**

Apr. 7, 2020 (EM) 007794359-0005

(51) **LOC (14) Cl.** **23-01**

(52) **U.S. Cl.**
USPC **D23/249**

(58) **Field of Classification Search**
USPC D23/249; 137/884; 251/59
CPC . F16K 11/07; F16K 27/00; F16K 1/36; F16K 31/12; F16K 31/383; F15B 13/042; F15B 13/0821; F15B 2211/428; F15B 2201/405; F15B 2211/32

See application file for complete search history.

(56) **References Cited**

U.S. PATENT DOCUMENTS

D286,907 S * 11/1986 Hilpert D23/249
D287,268 S * 12/1986 Hilpert D23/249

11,339,888 B2 * 5/2022 Aner F16K 27/0263
2011/0186758 A1 * 8/2011 Goldbeck B23P 17/00
251/59
2020/0191292 A1 * 6/2020 Aner B21D 53/10
2020/0318769 A1 * 10/2020 Aner F16K 27/041

* cited by examiner

Primary Examiner — Gino Colan

(74) *Attorney, Agent, or Firm* — Dinsmore & Shohl LLP

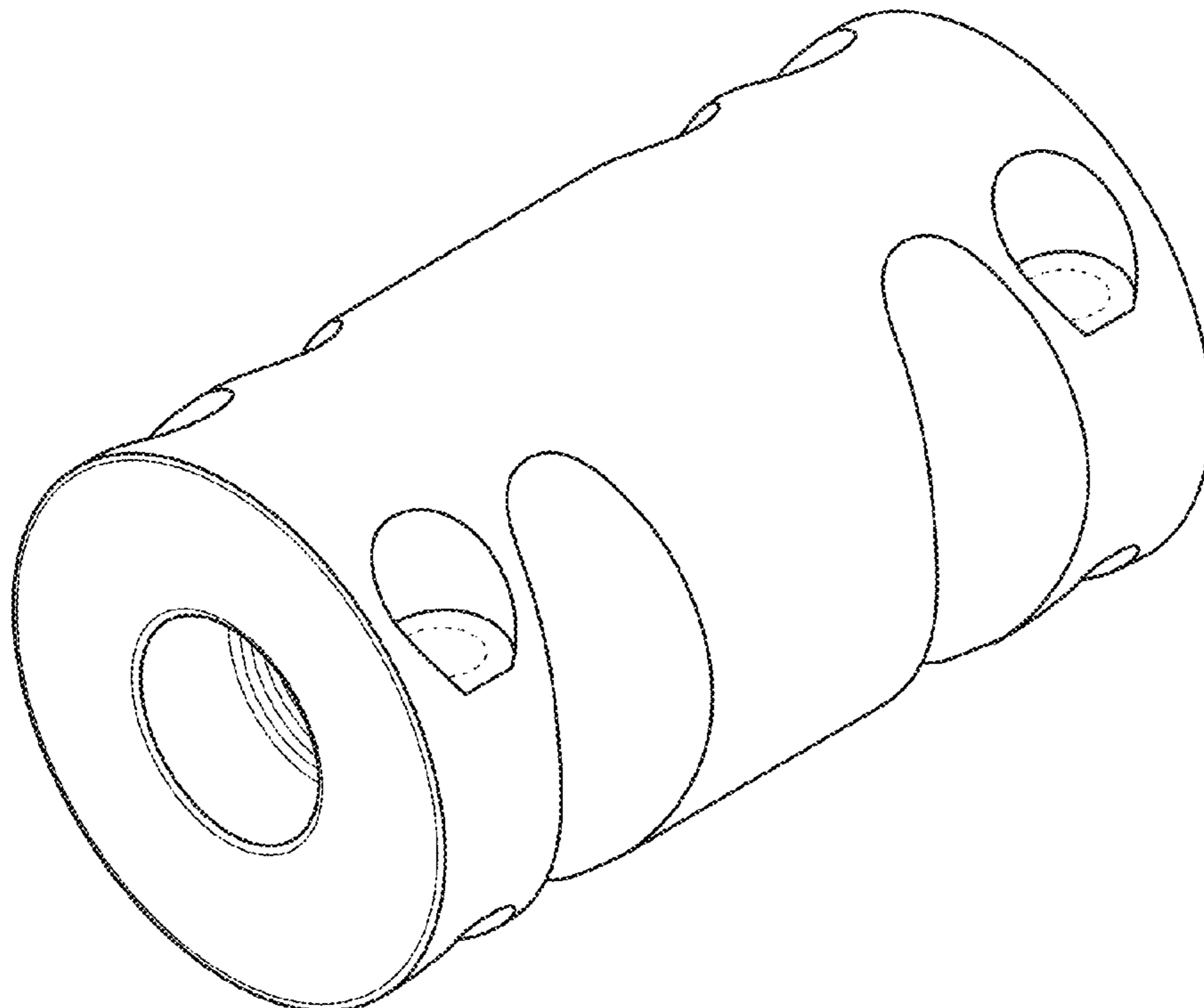
(57) **CLAIM**

The ornamental design for a hydraulic component housing for a hydraulic valve, as shown and described.

DESCRIPTION

FIG. 1 is a perspective view of a hydraulic component housing for a hydraulic valve according to an embodiment of the present invention;
FIG. 2 is a first side view of the hydraulic component housing for a hydraulic valve of FIG. 1;
FIG. 3 is a second side view of the hydraulic component housing for a hydraulic valve of FIGS. 1 and 2;
FIG. 4 is a first end view of the hydraulic component housing for a hydraulic valve of FIGS. 1-3;
FIG. 5 is a second end view of the hydraulic component housing for a hydraulic valve of FIGS. 1-4;
FIG. 6 is a top view of the hydraulic component housing for a hydraulic valve of FIGS. 1-5; and,
FIG. 7 is a bottom view of the hydraulic component housing for a hydraulic valve of FIGS. 1-6.
The broken line portions of the FIGS. illustrate unclaimed portions of the design.

1 Claim, 7 Drawing Sheets



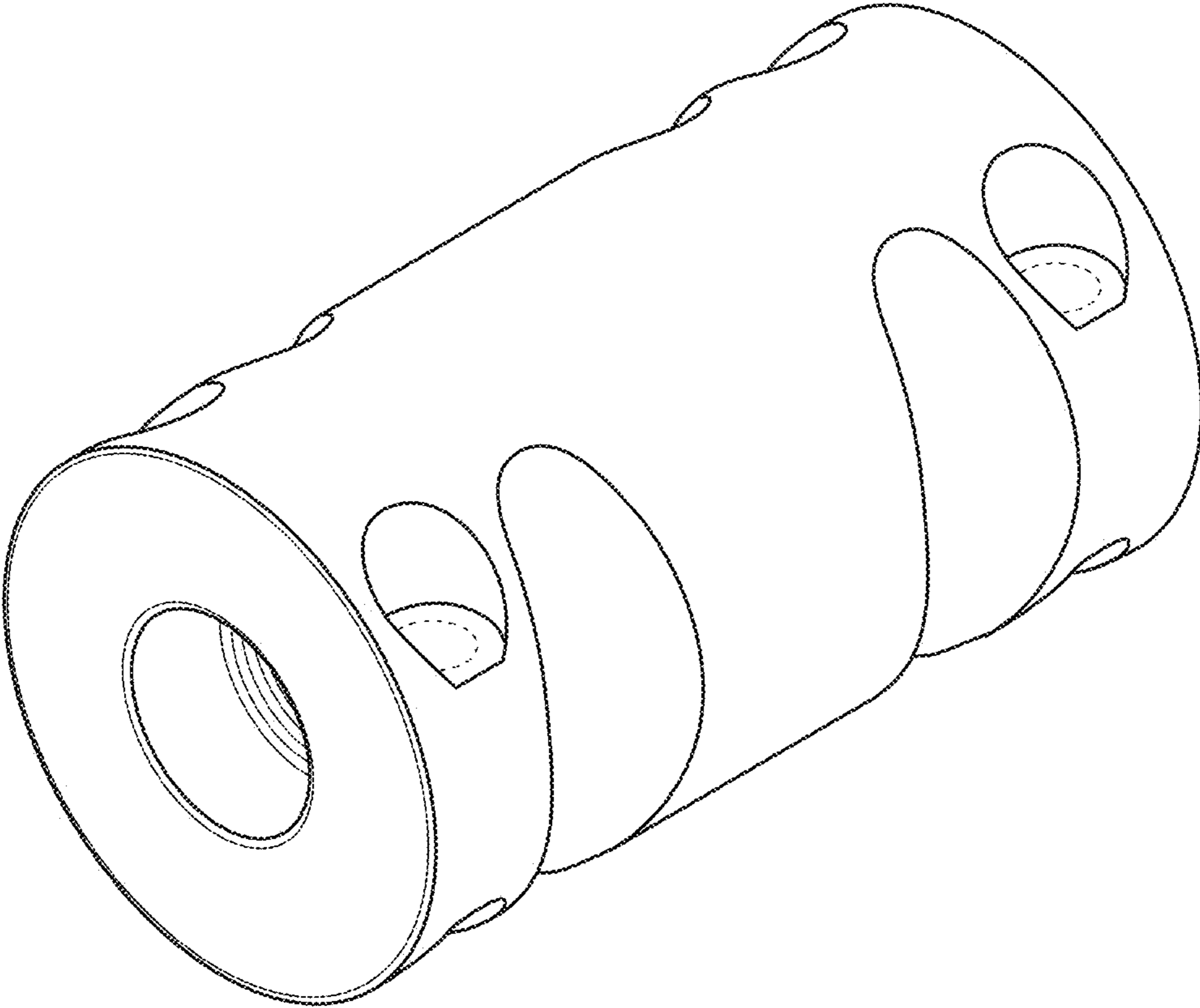


FIG. 1

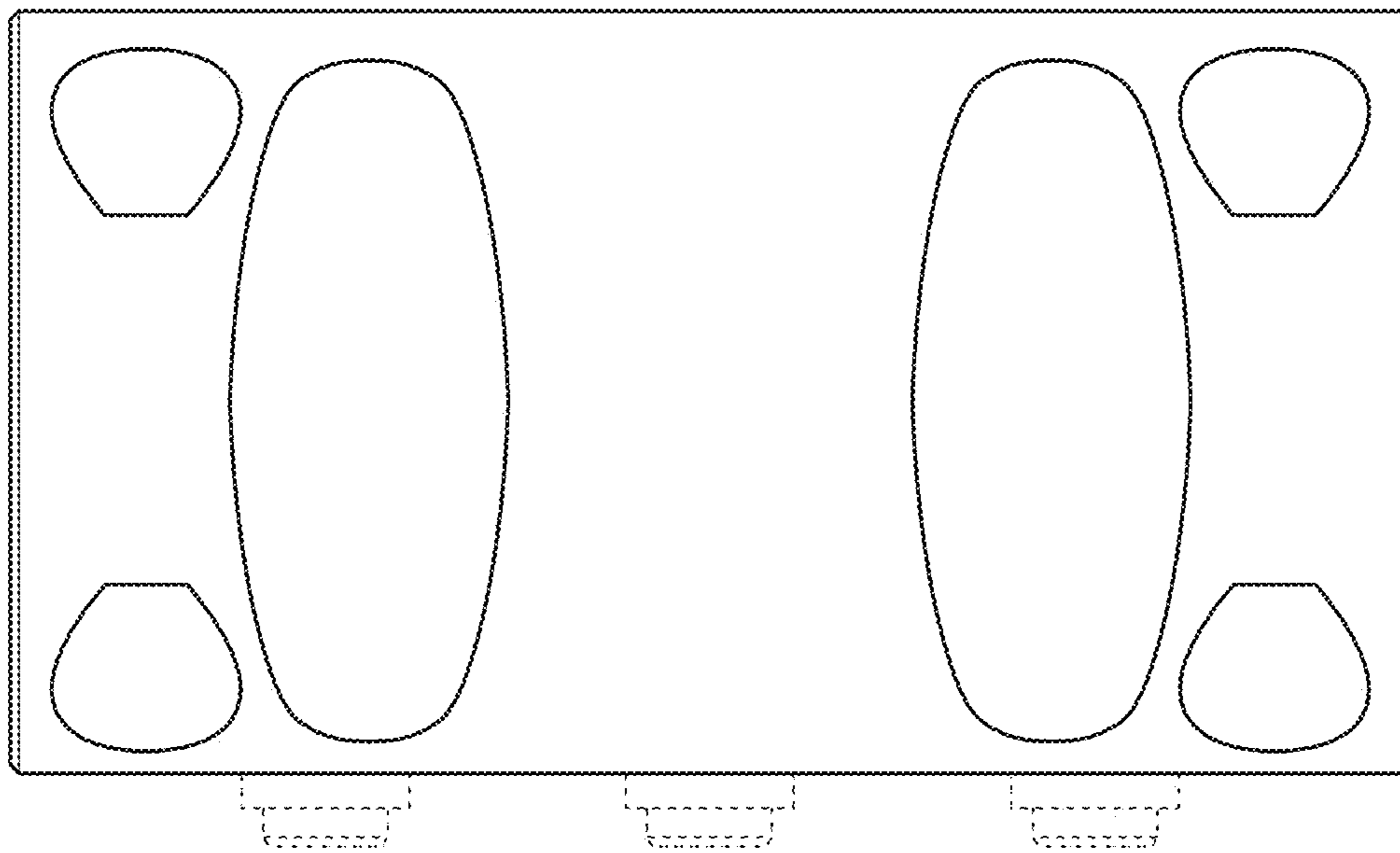


FIG. 2

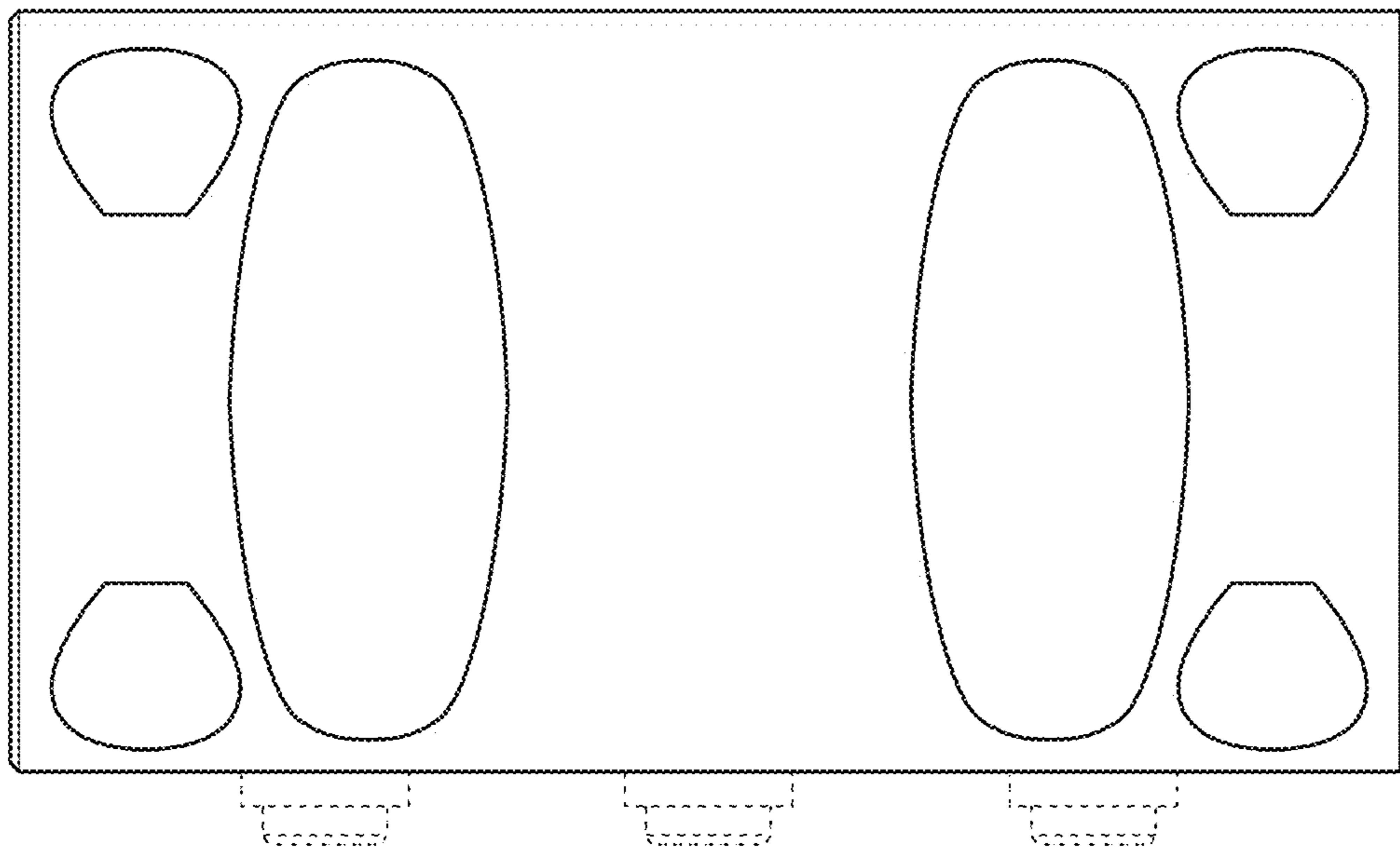


FIG. 3

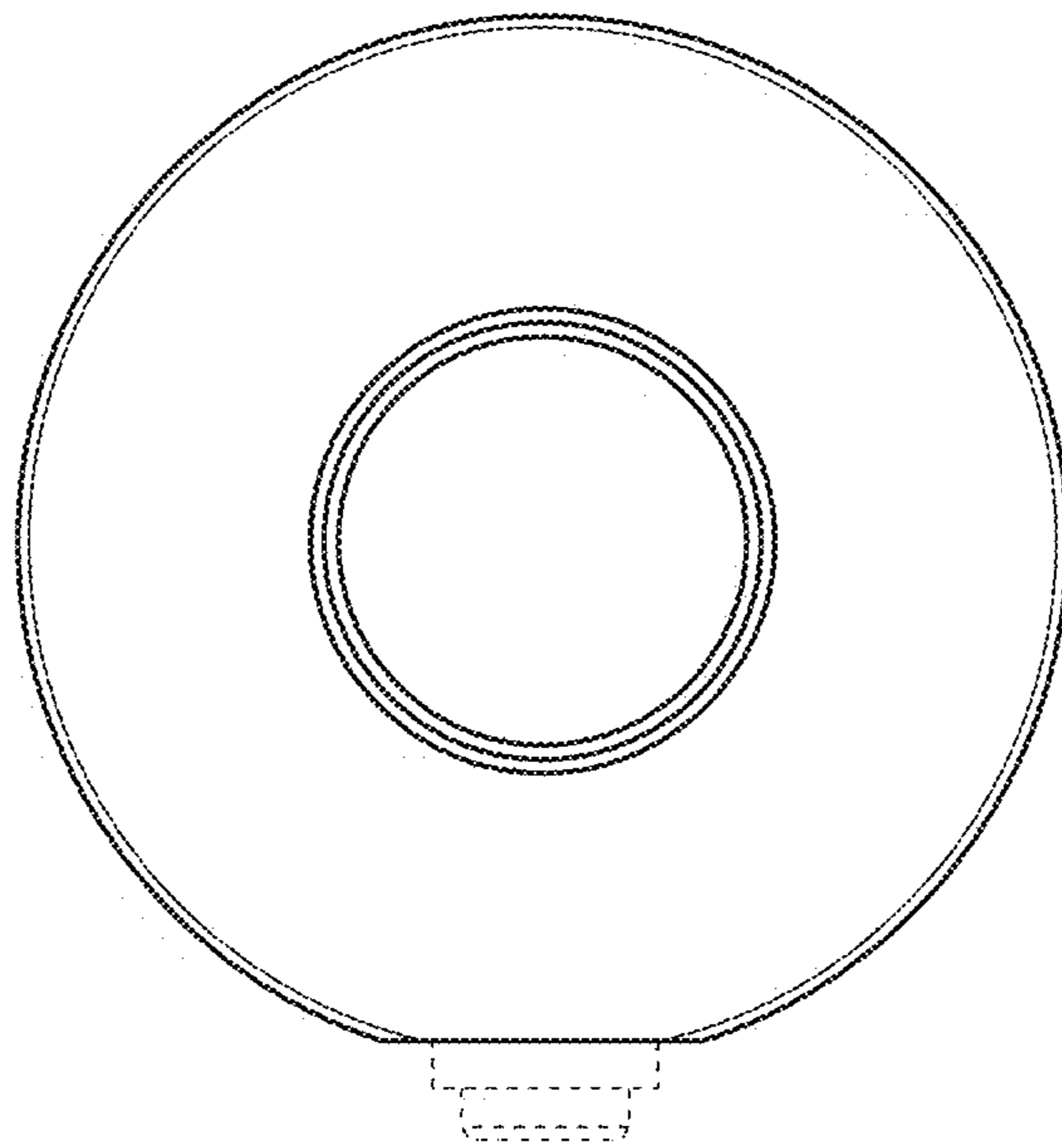


FIG. 4

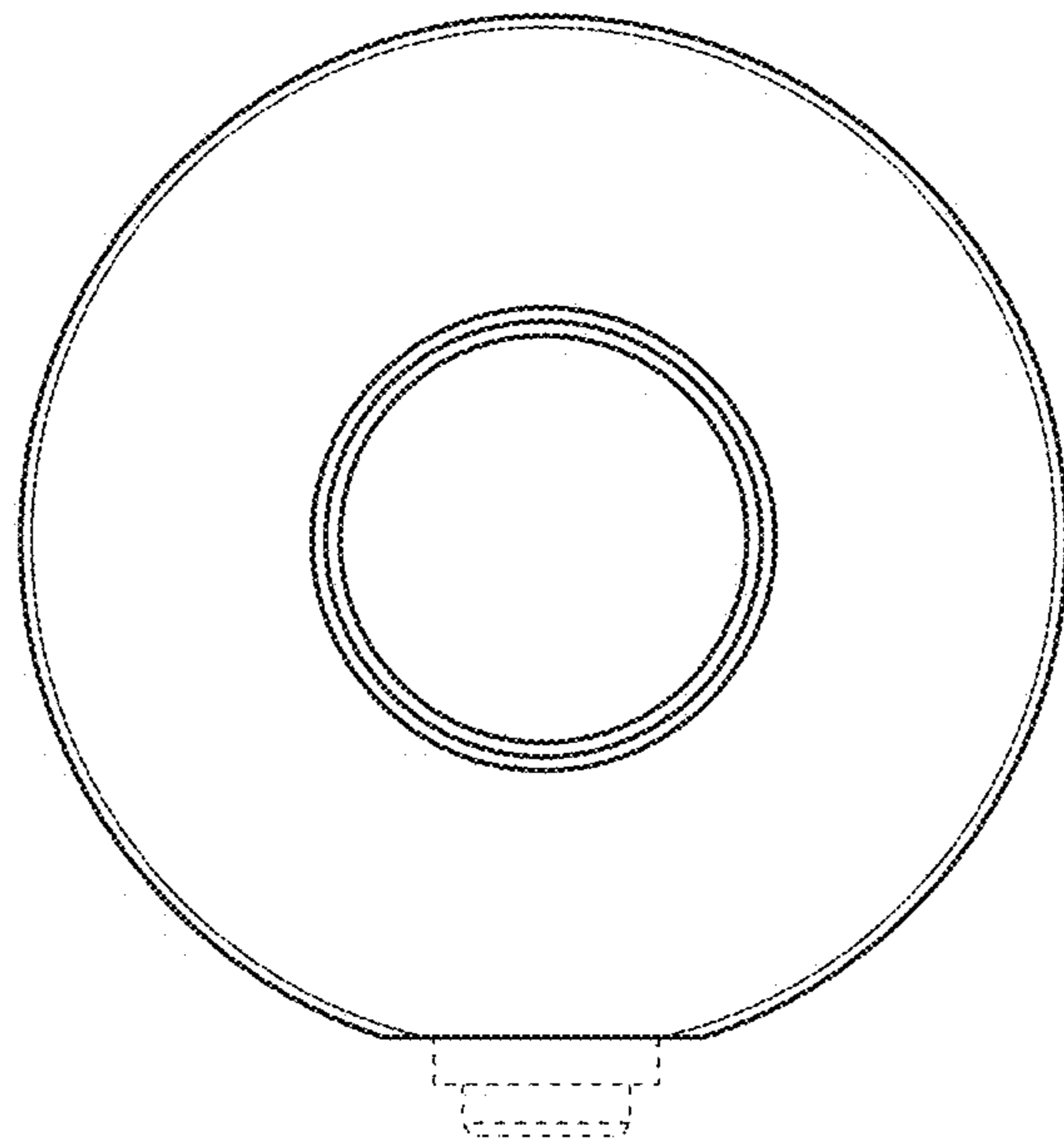


FIG. 5

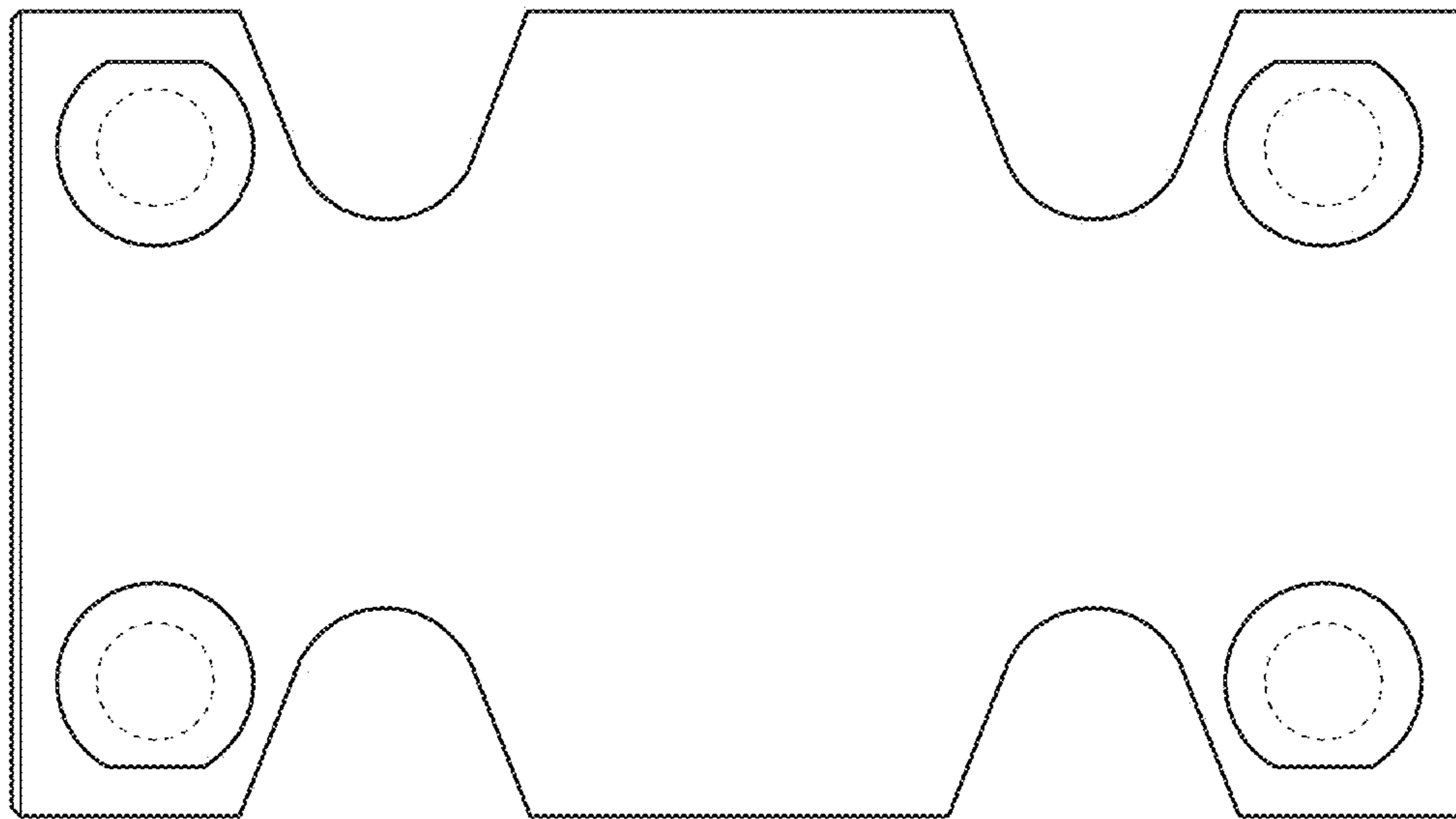


FIG. 6

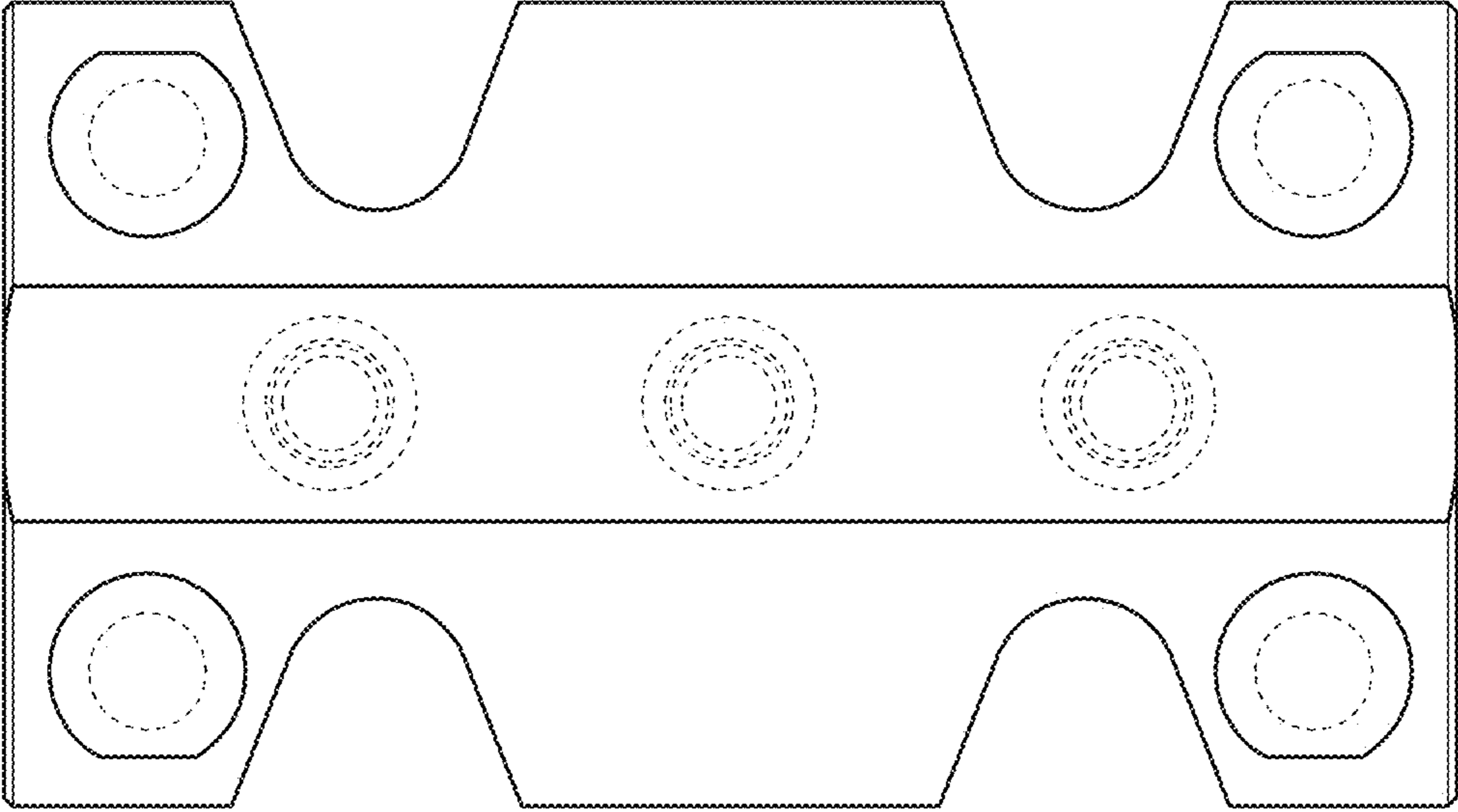


FIG. 7