



US00D986378S

(12) **United States Design Patent** (10) **Patent No.:** **US D986,378 S**
Andermann (45) **Date of Patent:** **** May 16, 2023**

(54) **MACHINE FOR THE CHEMICAL TREATMENT OF PLANTS**
(71) Applicant: **WESSOL, LLC**, Charlotte, NC (US)
(72) Inventor: **Scott Andermann**, Charlotte, NC (US)
(**) Term: **15 Years**
(21) Appl. No.: **35/513,681**

2015/0290663 A1* 10/2015 Wiedmann B05B 7/2475
239/302
2018/0154386 A1* 6/2018 Zhang B05B 12/002
2019/0030554 A1* 1/2019 Mantes B05B 9/0888
2019/0060922 A1* 2/2019 Wright B05B 9/043
2020/0121867 A1* 4/2020 Wright B05B 7/2416
2020/0290072 A1* 9/2020 Allis B05B 9/0822
2020/0331017 A1* 10/2020 Lee B05B 12/002
2021/0370330 A1* 12/2021 Wang A01M 1/2033
2022/0212325 A1* 7/2022 Olvera B05B 5/043
2022/0241803 A1* 8/2022 Doherty B05B 11/0037
2022/0280957 A1* 9/2022 Hoffman A01M 7/0021

(22) Filed: **Feb. 4, 2022**

OTHER PUBLICATIONS

(80) **Hague Agreement Data**

Int. Filing Date: **Feb. 4, 2022**
Int. Reg. No.: **DM/218869**
Int. Reg. Date: **Feb. 4, 2022**
Int. Reg. Pub. Date: **Feb. 18, 2022**

FlowZone Typhoon Battery Powered Sprayer, May 14, 2019, Amazon, site visited Dec. 15, 2022: <https://www.amazon.com.au/dp/B07N6LCLHM/> (Year: 2019).*
Ryobi 4 Gal Backpack Chemical Sprayer, Nov. 19, 2020, Home Depot, site visited Dec. 15, 2022: <https://www.homedepot.com/p/314259313/> (Year: 2020).*

(51) **LOC (14) Cl.** **23-01**

* cited by examiner

(52) **U.S. Cl.**

USPC **D23/225**

(58) **Field of Classification Search**

USPC D23/213, 214, 223, 225, 226; D32/15; D3/217
CPC B05B 5/03; B05B 5/1691; B05B 7/0081; B05B 7/02; B05B 7/2475; B05B 9/005; B05B 9/08; B05B 12/002; A01M 13/00; A61L 2/22

Primary Examiner — Jack Reickel

Assistant Examiner — Bobby W Jones, II

(57) **CLAIM**

The ornamental design for a machine for the chemical treatment of plants, as shown and described.

See application file for complete search history.

DESCRIPTION

(56) **References Cited**

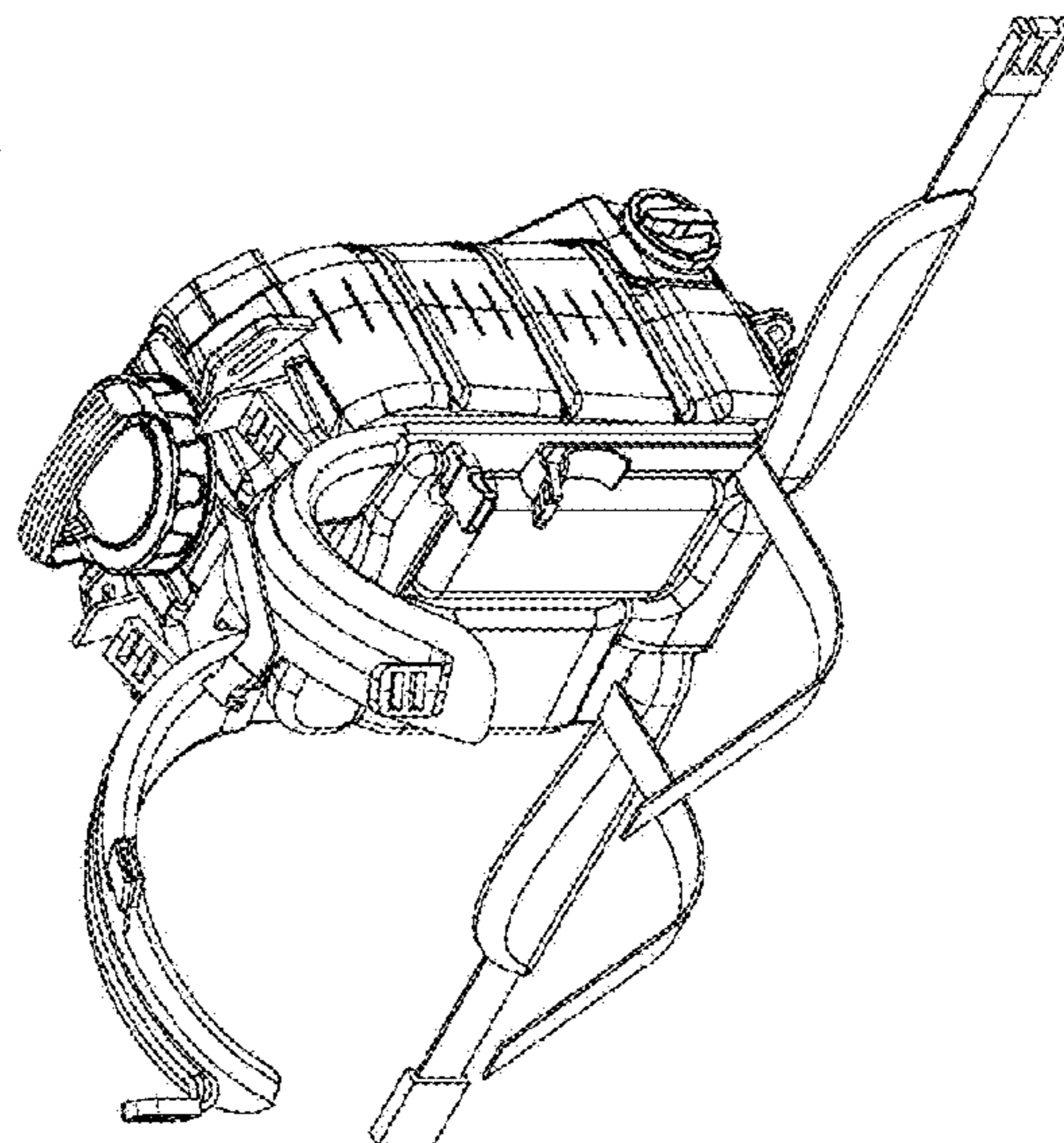
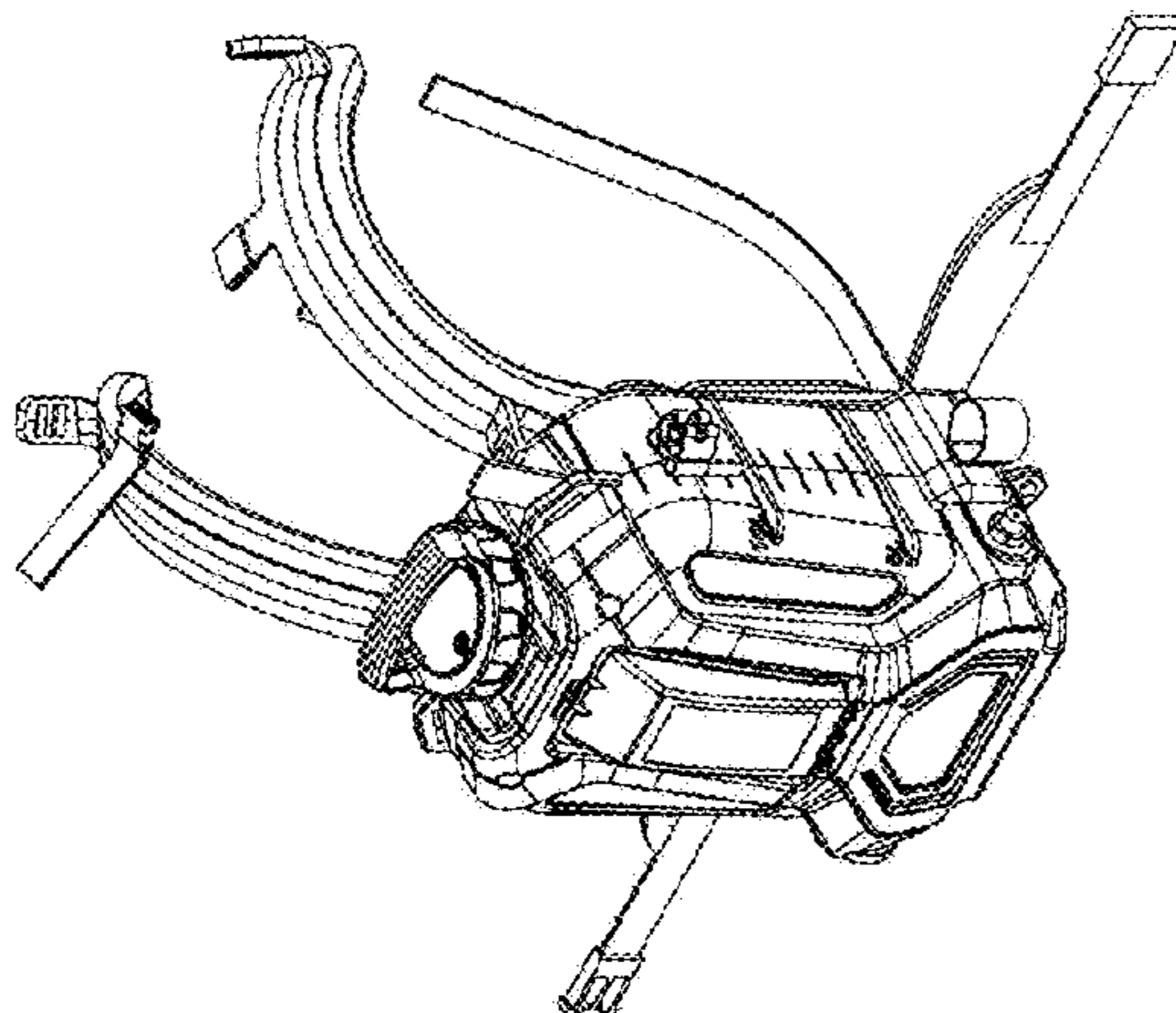
U.S. PATENT DOCUMENTS

D285,848 S * 9/1986 Iida D32/15
D720,039 S * 12/2014 Tinius D23/225
D731,027 S * 6/2015 Sanz Perez D23/225
D749,698 S * 2/2016 Pereira Dos Reis D23/225
D818,701 S * 5/2018 Wright D3/217
D841,127 S * 2/2019 Butler D23/225
D868,937 S * 12/2019 Zabalo Ondarra D23/225
D891,580 S * 7/2020 Carrozza D23/213

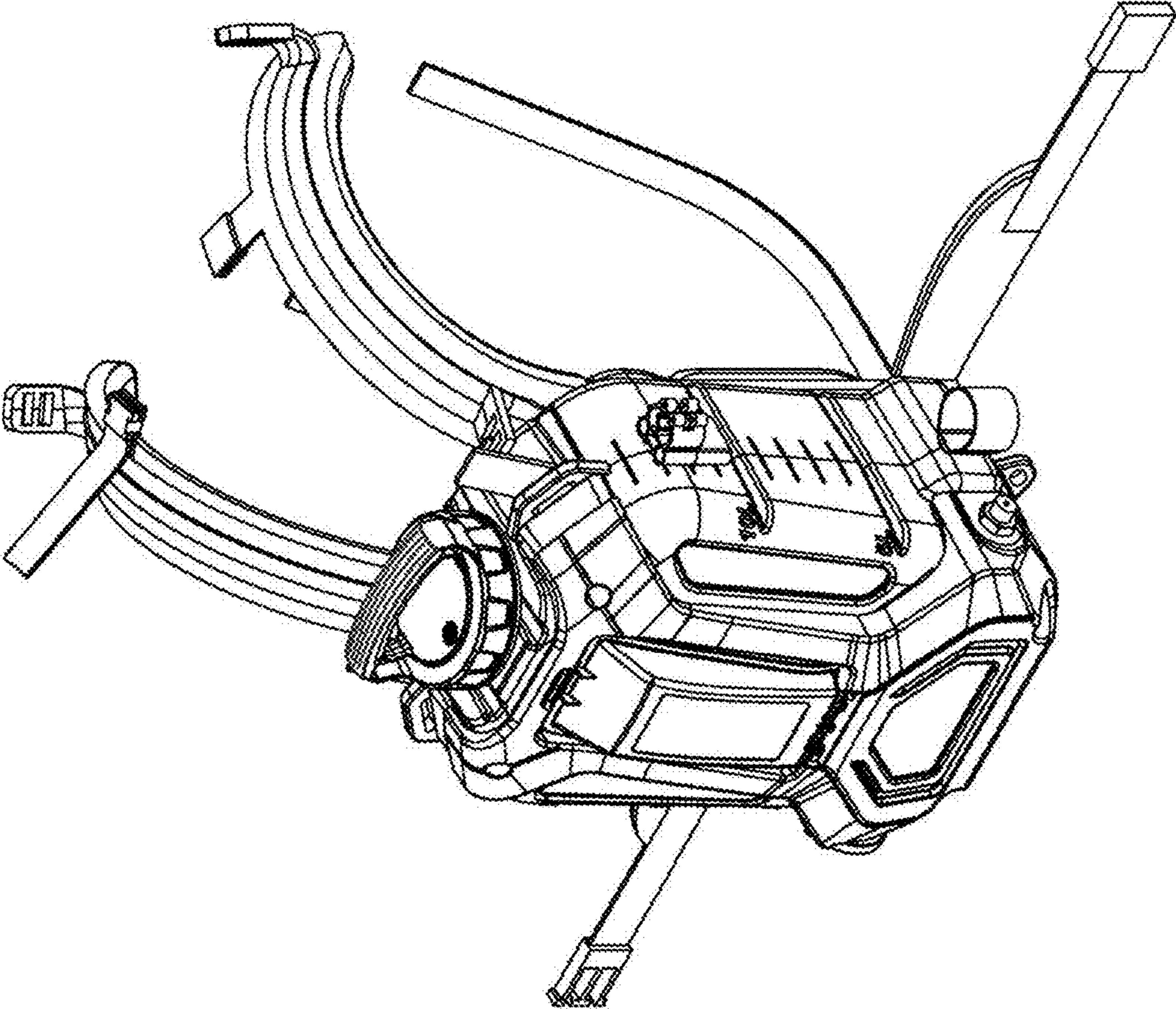
1. Machine for the chemical treatment of plants

- 1.1 : Perspective
- 1.2 : Perspective
- 1.3 : Perspective
- 1.4 : Perspective
- 1.5 : Perspective
- 1.6 : Back
- 1.7 : Side
- 1.8 : Front
- 1.9 : Side

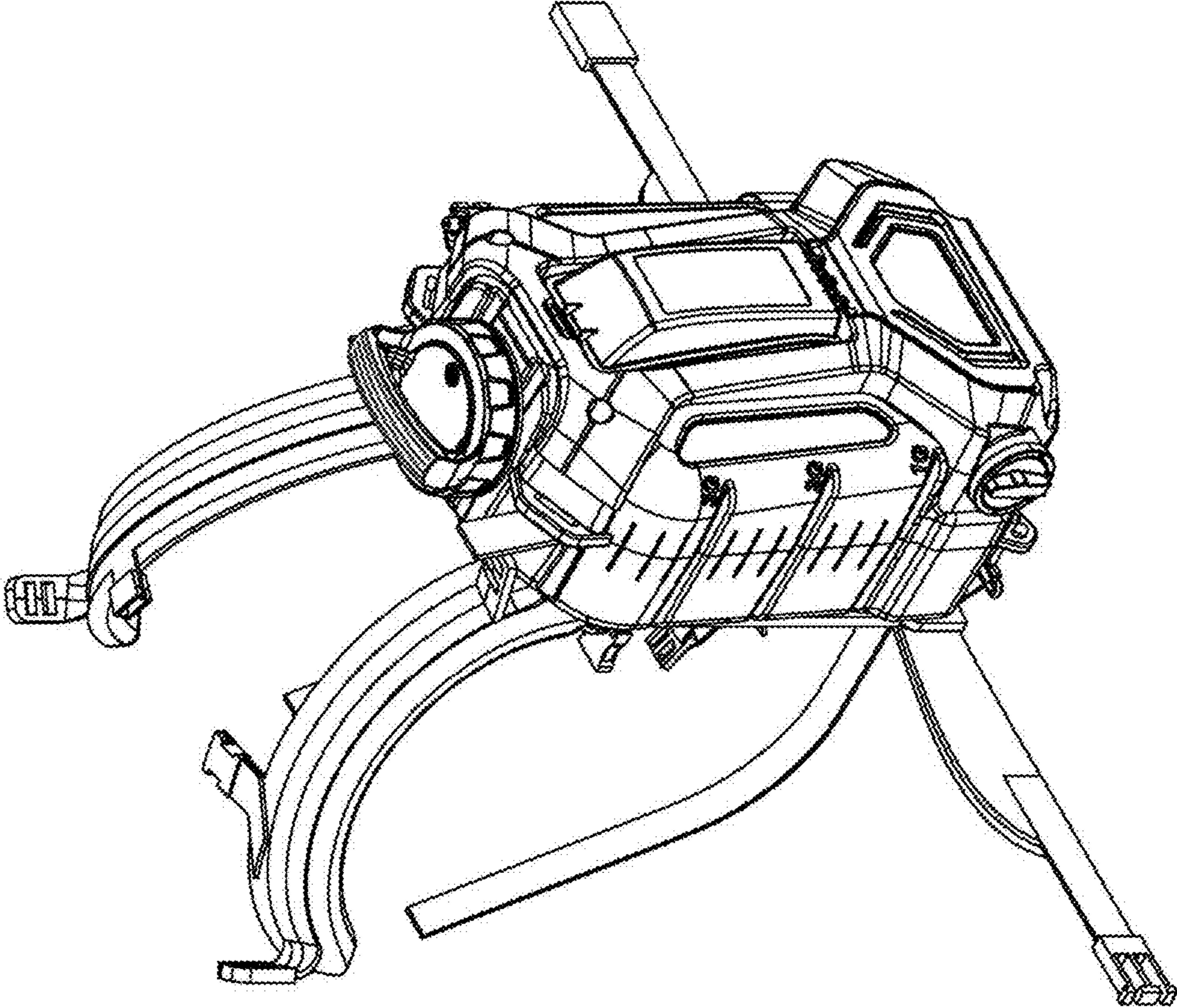
1 Claim, 9 Drawing Sheets



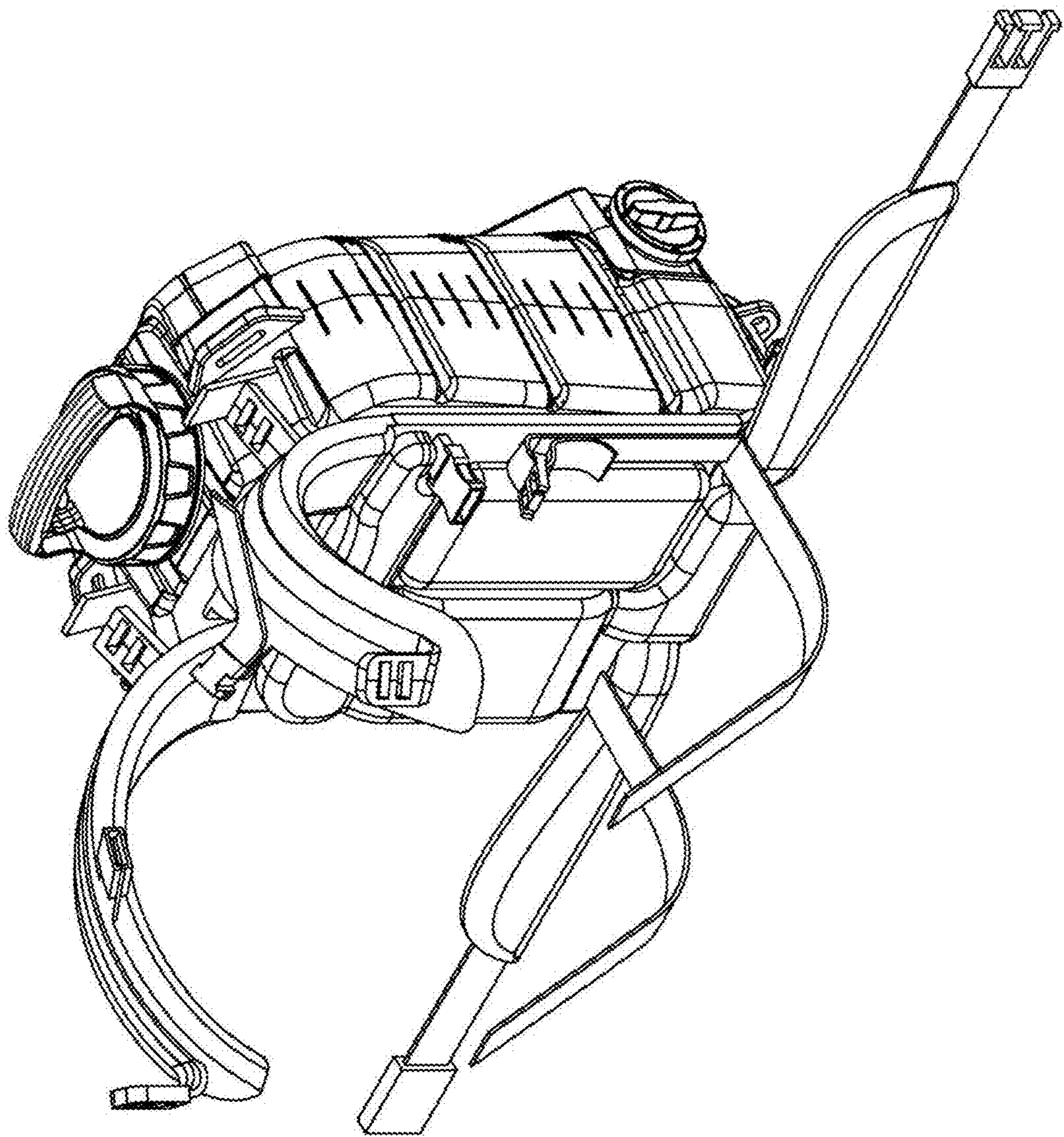
1.1



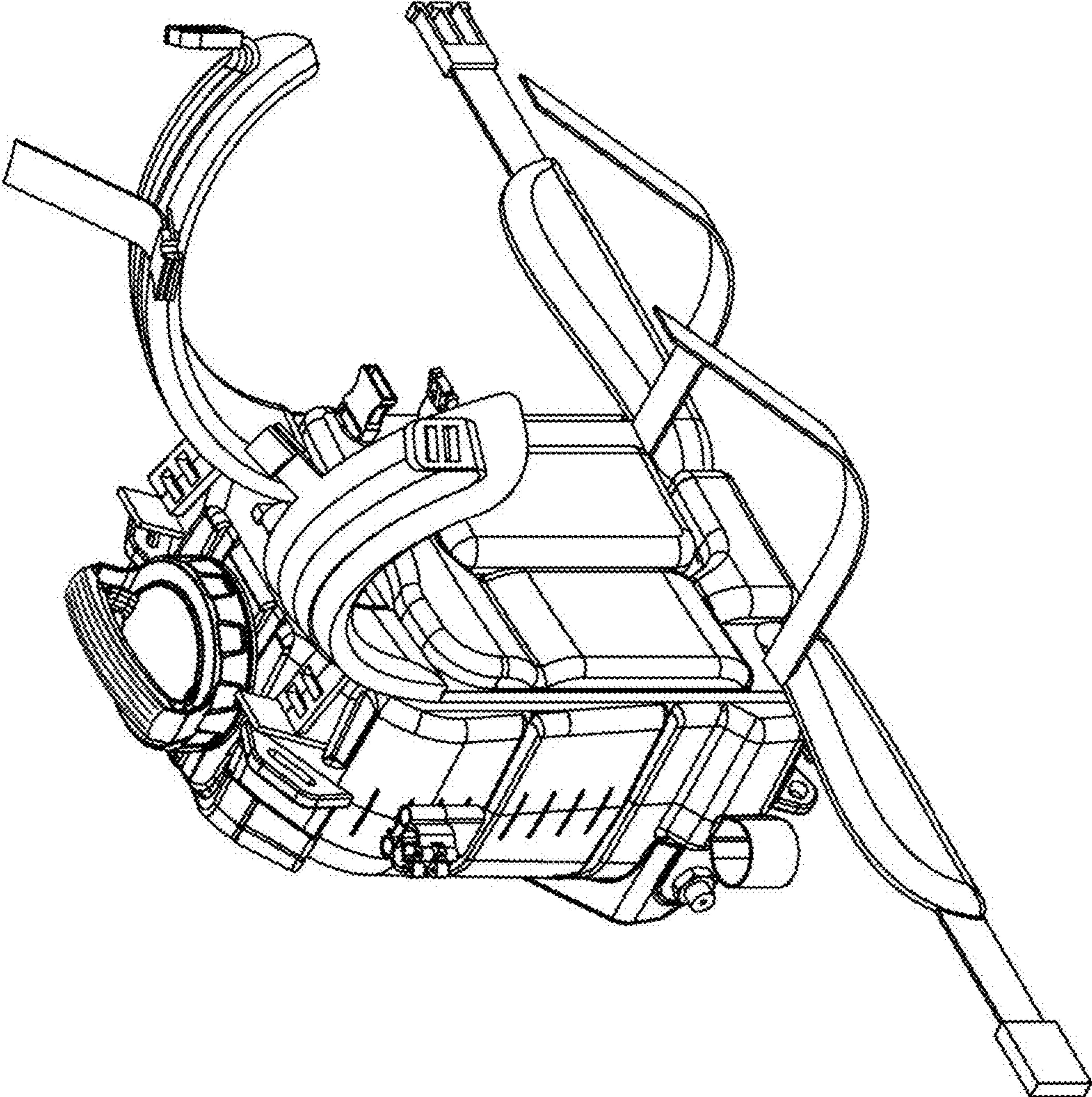
1.2



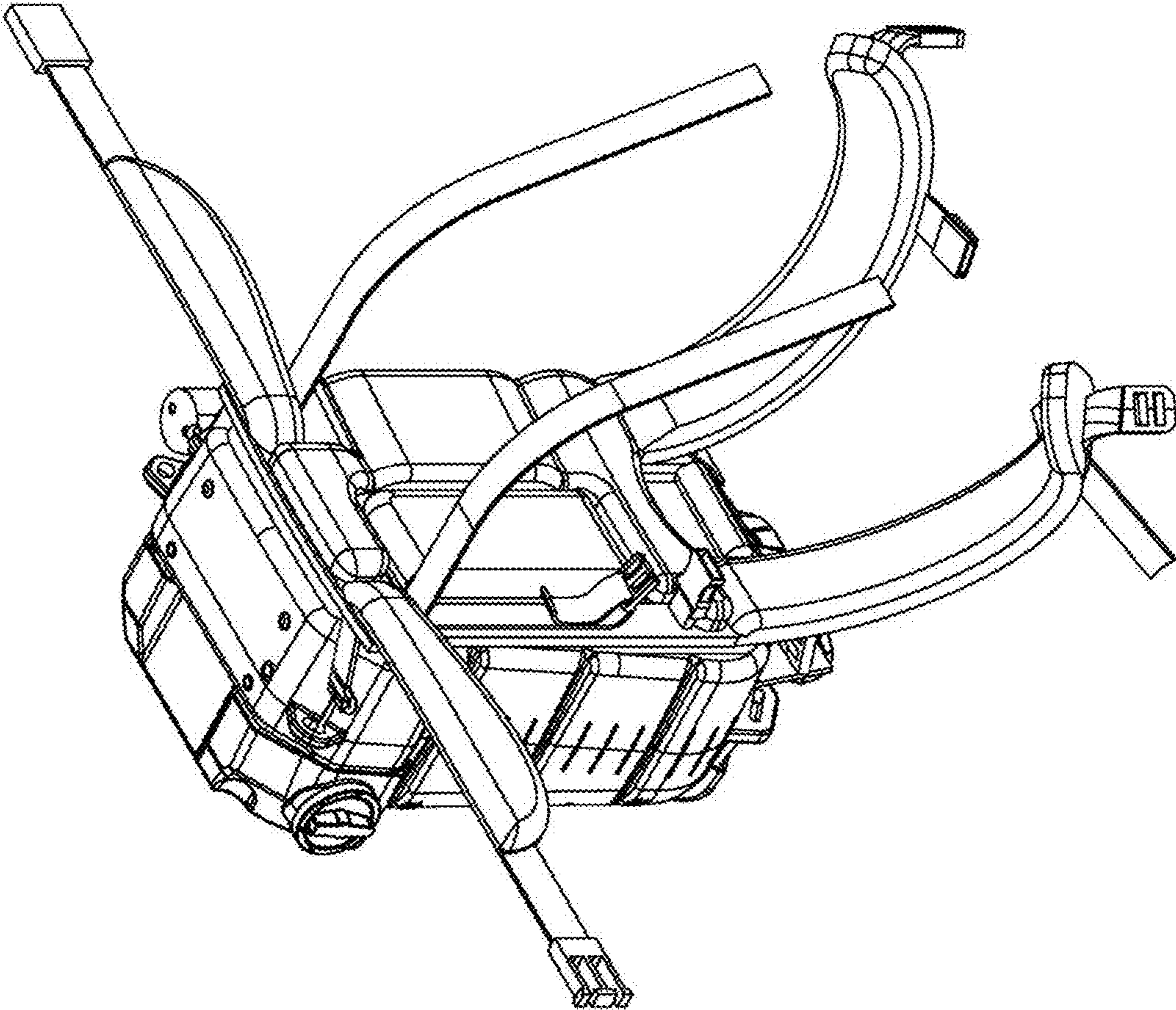
1.3



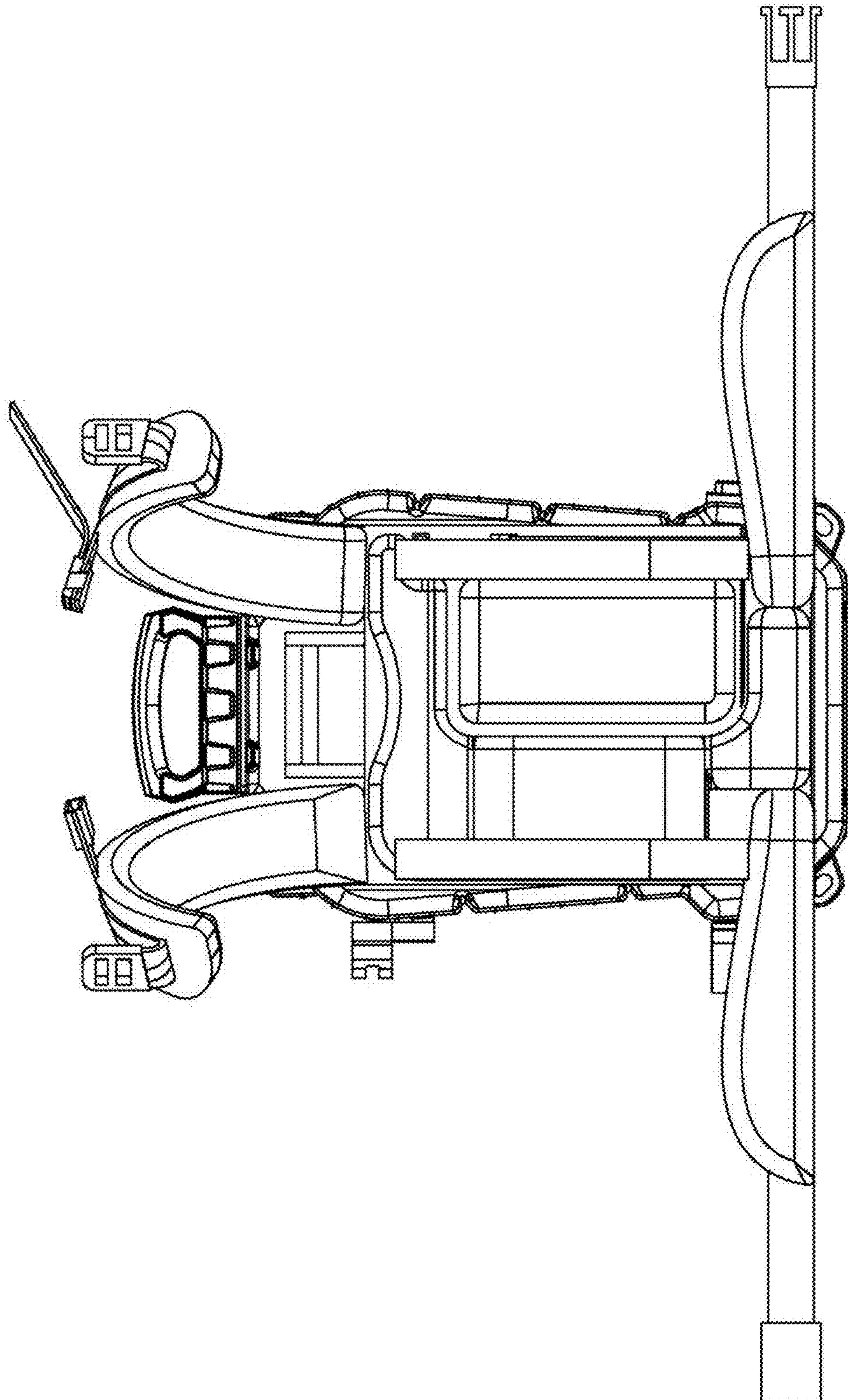
1.4



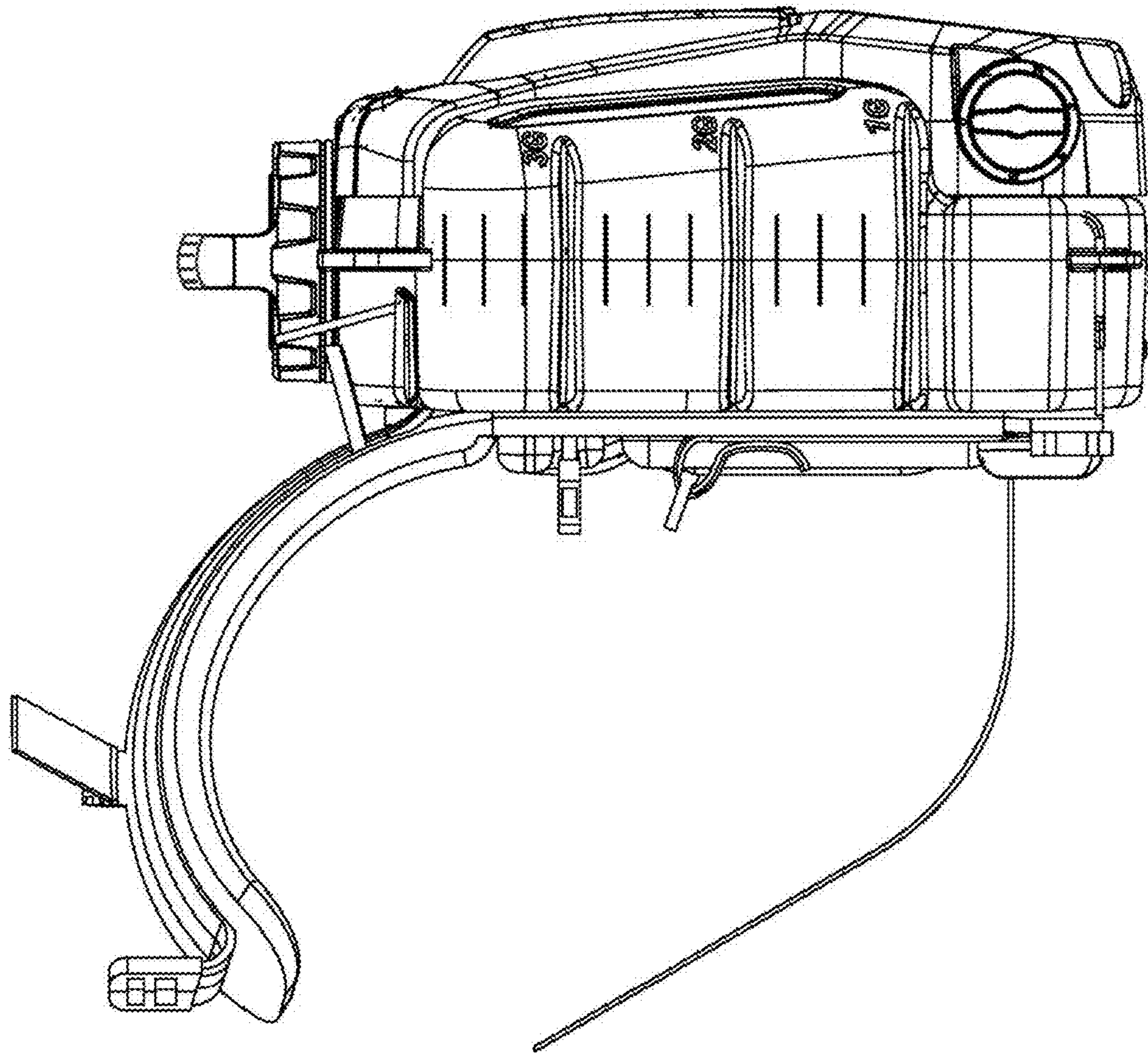
1.5



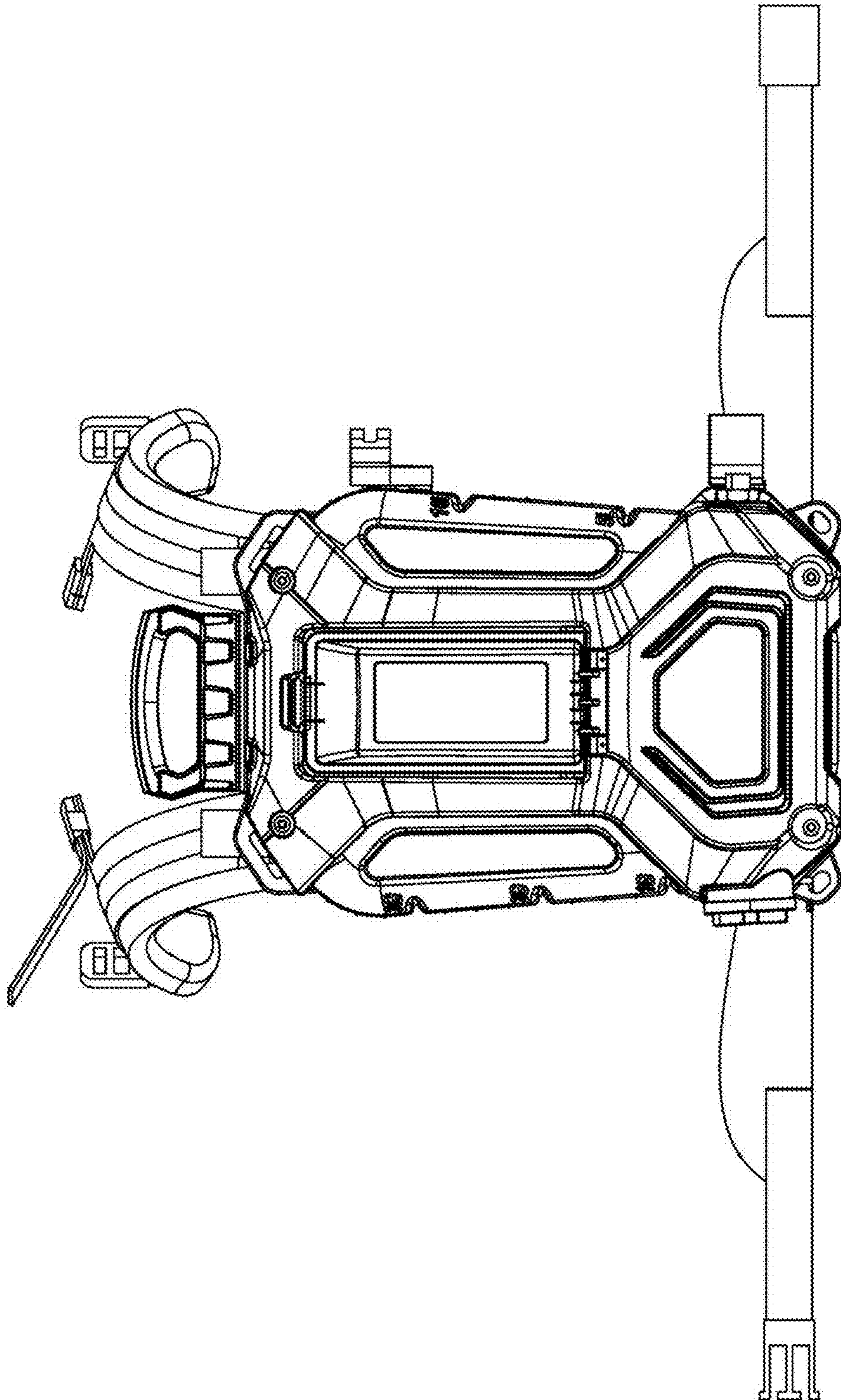
1.6



1.7



1.8



1.9

