



US00D986377S

(12) **United States Design Patent**  
**Davis**

(10) **Patent No.:** **US D986,377 S**

(45) **Date of Patent:** **\*\* May 16, 2023**

(54) **WATER FALL TABLE**

(71) Applicant: **Anthony E. Davis**, Damascus, AR (US)

(72) Inventor: **Anthony E. Davis**, Damascus, AR (US)

(\*\*) Term: **15 Years**

(21) Appl. No.: **29/847,916**

(22) Filed: **Jul. 28, 2022**

**Related U.S. Application Data**

(62) Division of application No. 29/703,802, filed on Aug. 29, 2019, now Pat. No. Des. 962,382.

(51) **LOC (14) Cl.** ..... **23-01**

(52) **U.S. Cl.**  
USPC ..... **D23/225**

(58) **Field of Classification Search**  
USPC ..... D23/200, 201, 267; D21/815, 818, 819,  
D21/820

CPC ... G09B 23/12; A47D 3/00; A63F 2250/0407;  
A63F 2250/0414; A63F 2250/0421; A63F  
2250/0428; A63G 21/18

See application file for complete search history.

(56) **References Cited**

**U.S. PATENT DOCUMENTS**

- 182,422 A \* 9/1876 Dike ..... E02B 5/005  
472/117
- 1,546,209 A 7/1925 Curtiss
- D257,591 S \* 12/1980 Brown ..... D21/815
- D257,618 S \* 12/1980 Brown ..... D21/815
- D259,887 S \* 7/1981 Croushore ..... D21/468
- D267,430 S 12/1982 Lee
- 4,799,665 A \* 1/1989 Bracy ..... E04H 4/0018  
472/126
- D308,563 S \* 6/1990 Knight ..... D21/819
- D321,923 S \* 11/1991 Ross ..... D24/204
- 5,640,911 A 6/1997 Peters
- D437,629 S 2/2001 Sater
- 6,349,654 B1 2/2002 Peters

- D492,385 S \* 6/2004 Proch ..... D23/201
  - D498,266 S 11/2004 Reeves, Jr.
  - 6,964,595 B2 11/2005 Libretti
  - D519,182 S \* 4/2006 Sinchok ..... D21/815
  - 7,758,434 B1 \* 7/2010 Johnson ..... A63G 21/18  
472/117
  - 9,480,906 B1 \* 11/2016 Peters ..... A63F 9/14
- (Continued)

**OTHER PUBLICATIONS**

Cadron Creek Play 2019 IAAPA Expo, Nov. 18, 2019, Facebook, site visited Nov. 30, 2021: <https://www.facebook.com/CadronCreekPlay/photos/a.1558976684189654/2612165402204105/?type=3> (Year: 2019).\*

(Continued)

*Primary Examiner* — Jack Reickel  
*Assistant Examiner* — Bobby W Jones, II  
(74) *Attorney, Agent, or Firm* — Ryan Kromholz & Manion, S.C.

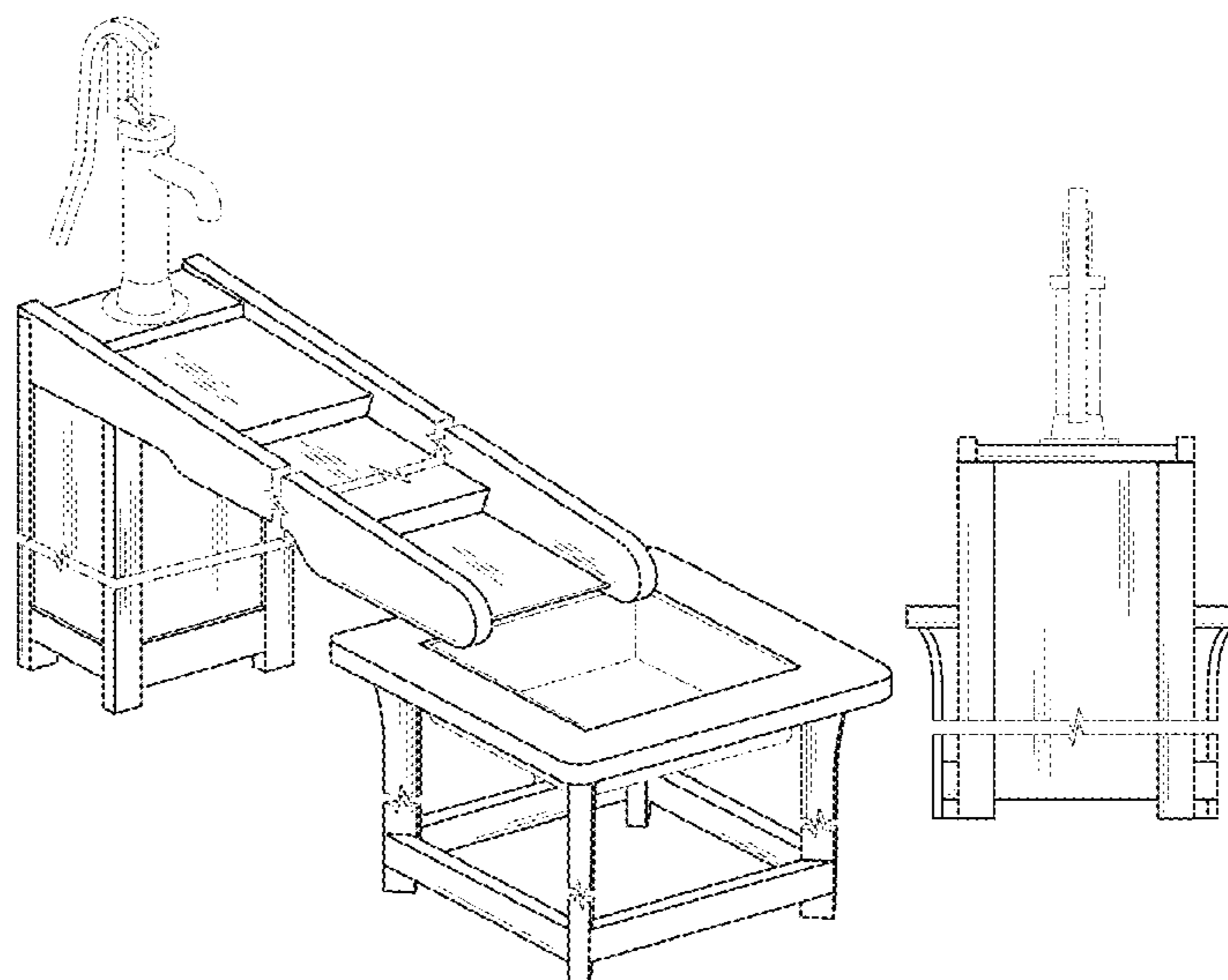
(57) **CLAIM**

The ornamental design for a water fall table, as shown and described.

**DESCRIPTION**

FIG. 1 is a perspective view of a first embodiment of the water fall table;  
FIG. 2 is a right side elevation view thereof;  
FIG. 3 is a left side elevation view thereof;  
FIG. 4 is a top plan view thereof;  
FIG. 5 is a front elevation view thereof; and,  
FIG. 6 is a back side elevation view thereof.  
The dot-dash lines in the drawings represent unclaimed subject matter and form no part of the claimed design.  
The water fall table is shown with a symbolic break. Any portion between the break lines forms no part of the claimed design.

**1 Claim, 3 Drawing Sheets**



(56)

**References Cited**

U.S. PATENT DOCUMENTS

10,328,352	B1	6/2019	Tam	
D962,382	S *	8/2022	Davis .....	D23/200
2002/0001030	A1	1/2002	Zeilinger	
2006/0189443	A1	8/2006	Finlinson	
2006/0278136	A1	12/2006	Sinclair et al.	
2012/0283033	A1	11/2012	Ochi	
2013/0255406	A1 *	10/2013	Jeong .....	G09B 23/12 73/865.6

OTHER PUBLICATIONS

Outlast Water Play, Jul. 4, 2016, YouTube, site visited Nov. 30, 2021: [https://www.youtube.com/watch?v=\\_09NIU6ArrM](https://www.youtube.com/watch?v=_09NIU6ArrM) (Year: 2016).\*

Kids Station Plastic Sand and Water Table, Jun. 25, 2020, Wayfair, site visited Nov. 16, 2022: <https://www.wayfair.com/outdoor/pdp/kids-station-47-x-24-plastic-sand-and-water-table-lbmh1006.html> (Year: 2020).\*

Webpage; <https://www.kompan.us/play/traditional-play/sand-water-play/waterfall>; dated Aug. 6, 2019.

Webpage; <https://www.naturalplaygroundsstore.com/detail2.php?itemcode=HPWP-GMS>; dated Aug. 6, 2019.

Webpage; <https://www.naturalplaygroundsstore.com/detail2.php?recid=215>; dated Aug. 6, 2019.

Webpage; <https://www.amazon.com/Old-Fashioned-Pump-Water-Fountain/dp/B0066ETNH0>; dated Aug. 6, 2019.

Webpage; <https://playworks.com.au/making-the-most-of-water-play/>; dated Aug. 6, 2019.

Webpage; <https://goric.com/products/farm-pump/>; dated Aug. 6, 2019.

Webpage: <http://www.rheber-holz-design.de/wasserspielanlagen-wasserspielplatz-wasserrad-und-wasserspiel.html>; dated Aug. 6, 2019.

Webpage; <https://www.communityplaythings.com/products/outdoor/w445-outlast-cascade-play-center>; dated Aug. 6, 2019.

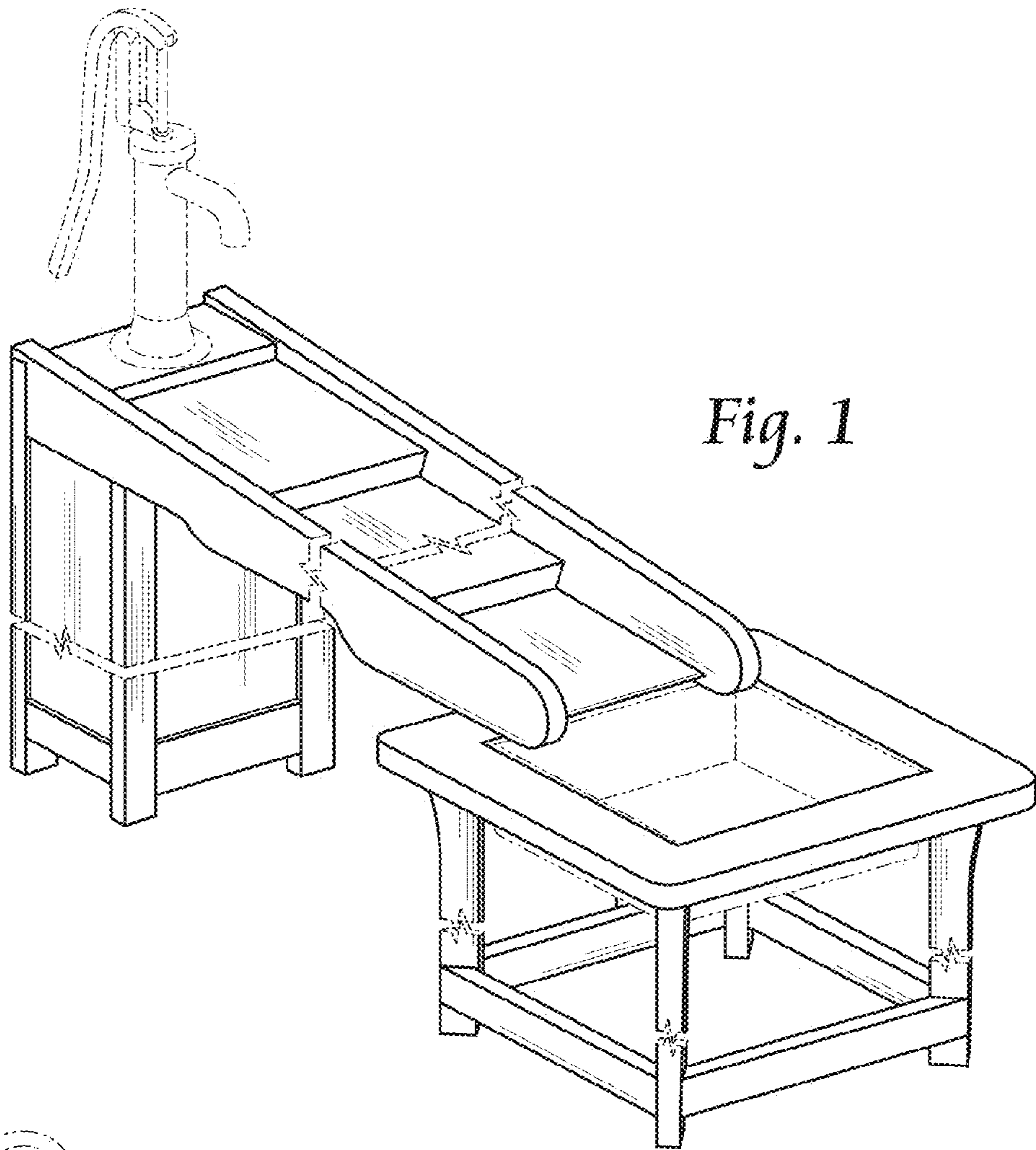
Cadron Creek Play 2019 IAAPA Expo Nov. 18, 2019, Facebook, site visited Nov. 30, 2021: <https://www.facebook.com/CadronCreekPlay/photos/a.1558976684189654/2612165402204105/?type=3>.

Outdoor Water Play video Tables W Pump, Jan. 18, 2018, YouTube, site visited Nov. 30, 2021: <https://www.youtube.com/watch?v=f5orDsKF550> (2018).

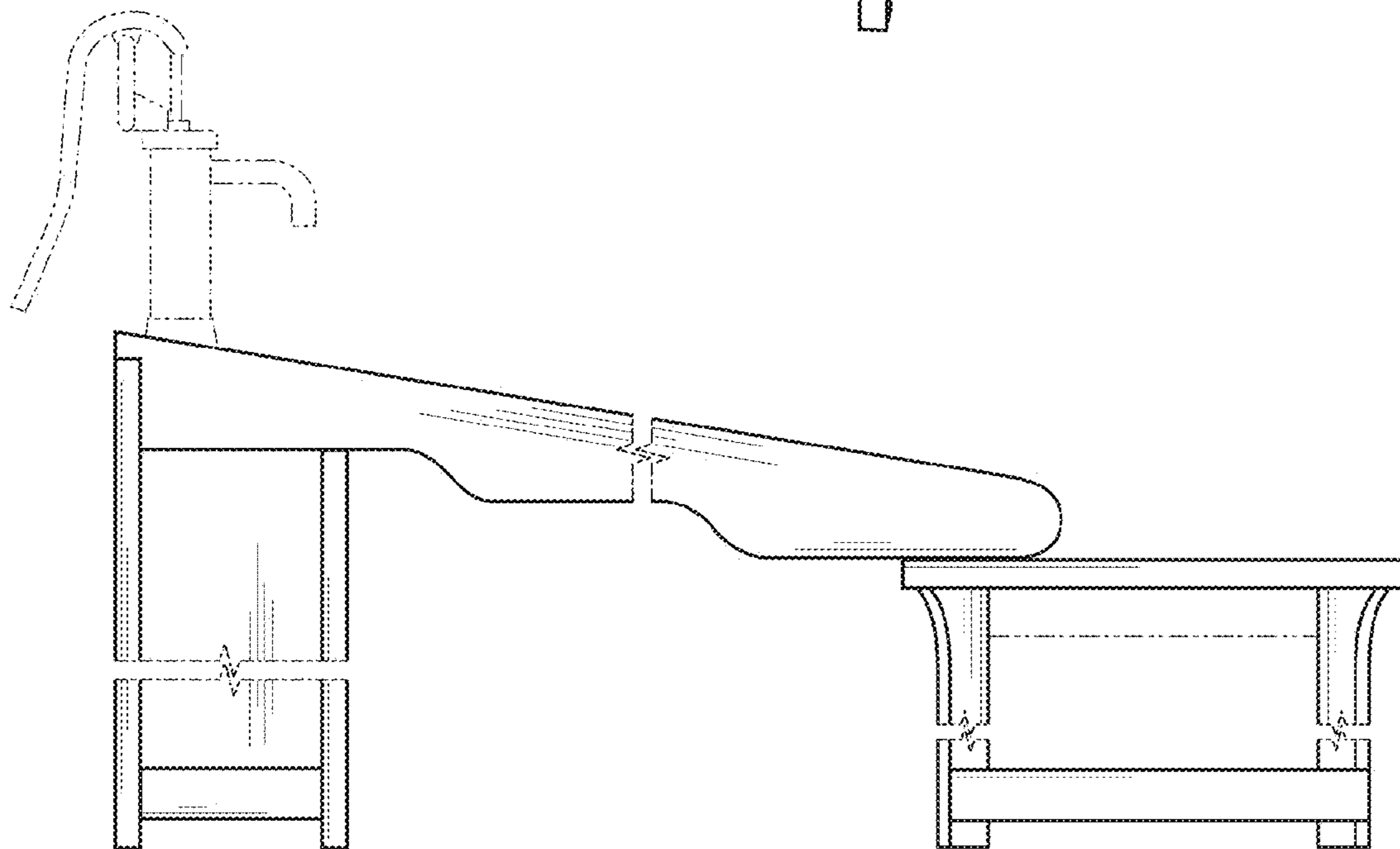
Blue Rabbit Play Outdoor Wavy Kids Slide, Nov. 29, 2018, Amazon, site visited Nov. 30, 2021; <https://www.amazon.com/dp/B074T2ZRXX/> (2018).

Outlast Water Play, Jul. 4, 2016, YouTube, site visited Nov. 30, 2021; <https://www.youtube.com/watch?v=09NIU6ArrM> (2016).

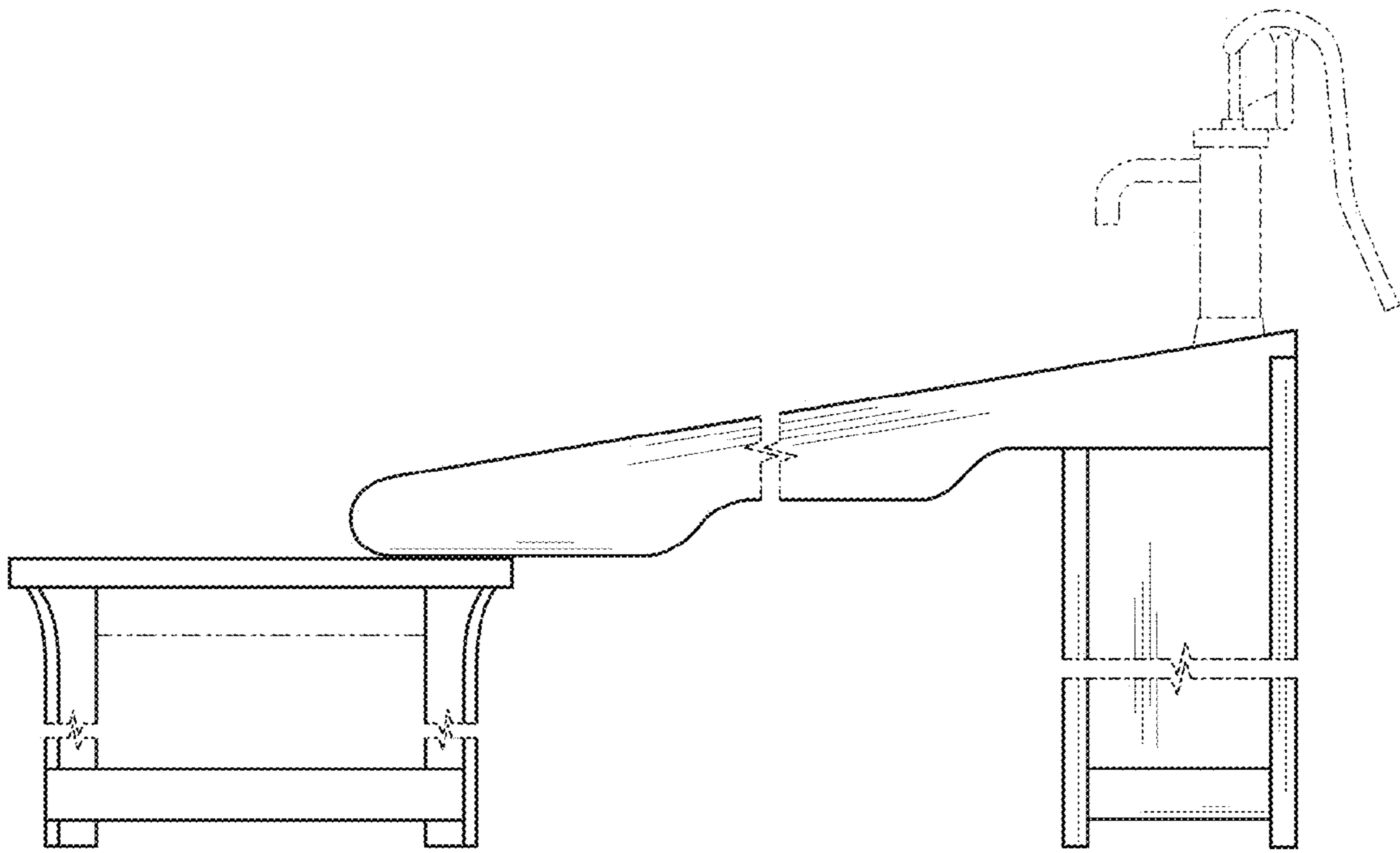
\* cited by examiner



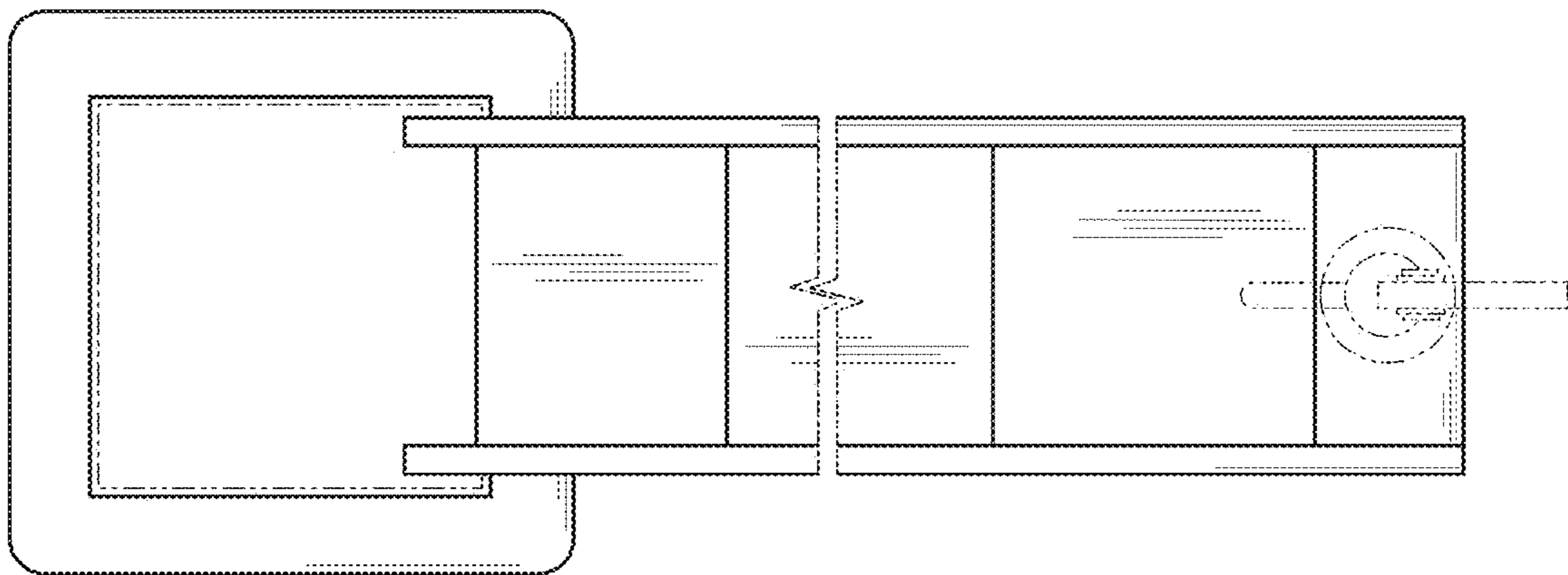
*Fig. 1*



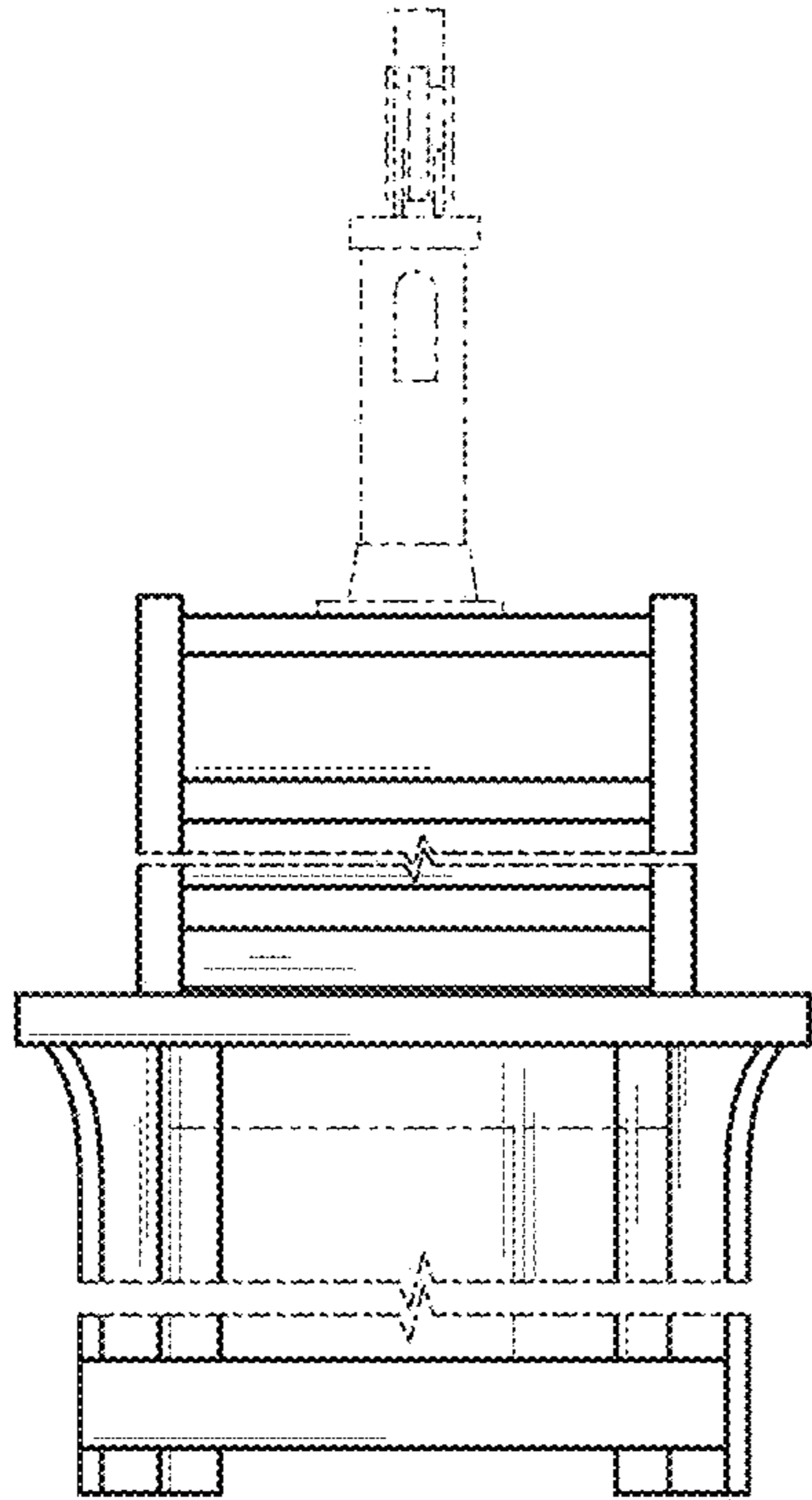
*Fig. 2*



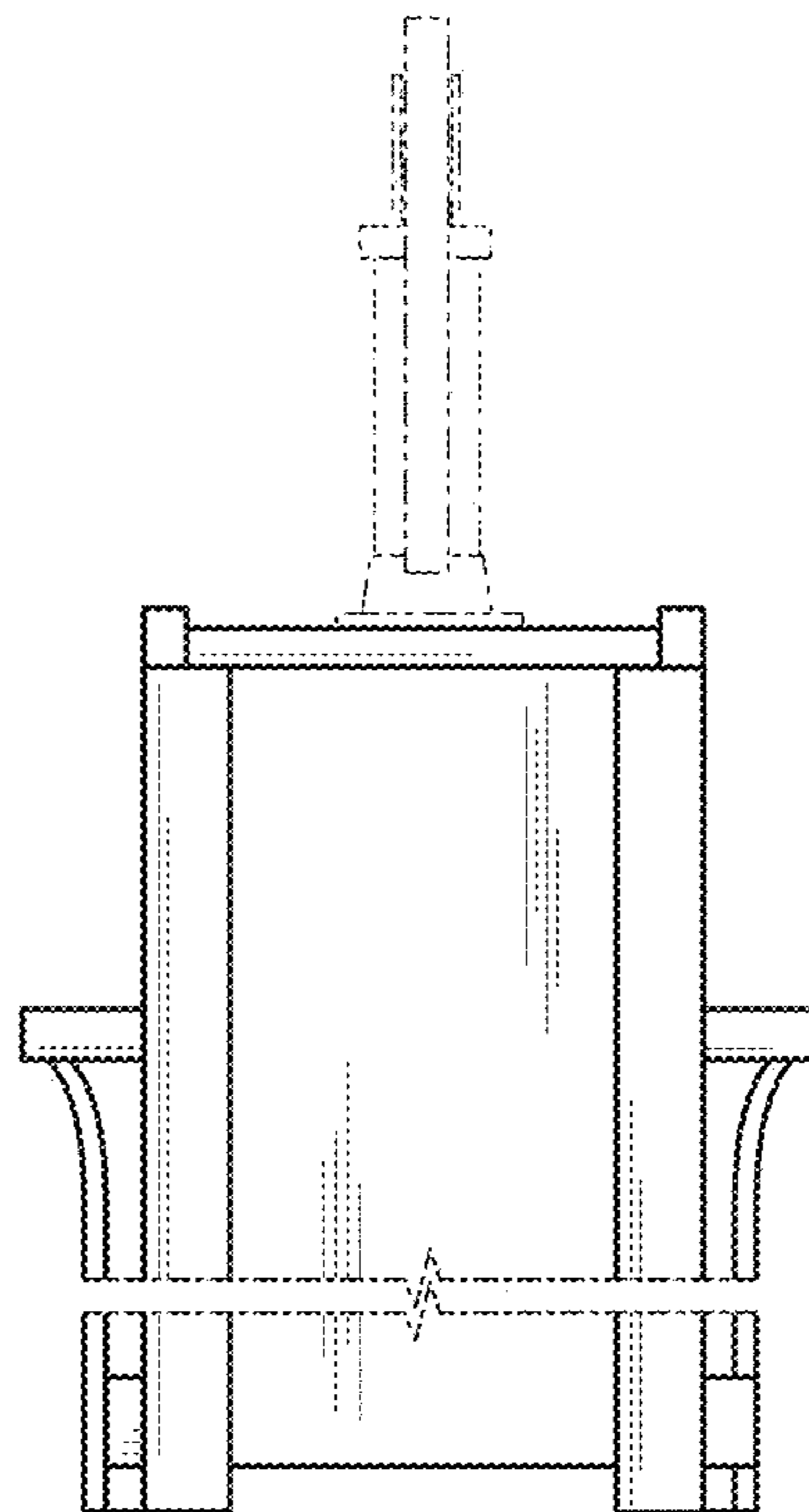
*Fig. 3*



*Fig. 4*



*Fig. 5*



*Fig. 6*