



US00D986376S

(12) **United States Design Patent** (10) **Patent No.:** **US D986,376 S**
Mather (45) **Date of Patent:** **** May 16, 2023**

(54) **POWDER SPRAY GUN COMPONENT**
(71) Applicant: **NORDSON CORPORATION**,
Westlake, OH (US)
(72) Inventor: **Brian D. Mather**, North Ridgeville,
OH (US)
(73) Assignee: **Nordson Corporation**, Westlake, OH
(US)
(**) Term: **15 Years**
(21) Appl. No.: **29/754,373**
(22) Filed: **Oct. 9, 2020**

D577,100 S * 9/2008 Brown D23/249
D602,118 S * 10/2009 Bruno D23/213
D620,075 S * 7/2010 Yamaguchi D23/209
D625,775 S * 10/2010 Johnson D23/213
D627,530 S 11/2010 Benson et al.
D705,894 S 5/2014 Williams et al.
D723,658 S 3/2015 Meister
D729,904 S * 5/2015 Lu D23/233
D742,032 S 10/2015 Smith et al.
D757,892 S * 5/2016 Walker D23/213
D757,893 S * 5/2016 Walker D23/213
D778,405 S * 2/2017 Wang D23/226
D791,061 S 7/2017 Kassouni
D804,920 S 12/2017 Valerie, Sr.
D818,823 S * 5/2018 Blachford D9/447

(Continued)

Related U.S. Application Data

(62) Division of application No. 29/656,001, filed on Jul.
10, 2018, now Pat. No. Des. 913,418.
(51) **LOC (14) Cl.** **23-01**
(52) **U.S. Cl.**
USPC **D23/213**
(58) **Field of Classification Search**
USPC D23/213, 214, 221, 222, 223, 226, 227,
D23/229, 230; D15/150
CPC A62C 31/02; A62C 31/03; B05B 1/304;
B05B 1/308; B65D 47/247; B65D 47/24;
B65D 47/32; B65D 47/06
See application file for complete search history.

References Cited

U.S. PATENT DOCUMENTS

D220,920 S 6/1971 Cochran
D277,403 S 1/1985 Wilson
D388,569 S 12/1997 Israel
6,394,369 B2 5/2002 Goenka et al.
D532,863 S 11/2006 Mather et al.
D535,721 S * 1/2007 Ford D23/213
D569,477 S * 5/2008 Fulkerson D23/213
D572,343 S * 7/2008 Huang D23/213

OTHER PUBLICATIONS

Wagner Protective Wedge [Oct. 30, 2019] found online [Oct. 30,
2019]—<https://detail.en.china.cn/provide/p156958274.html>.

Primary Examiner — John A Voytek

(74) *Attorney, Agent, or Firm* — BakerHostetler

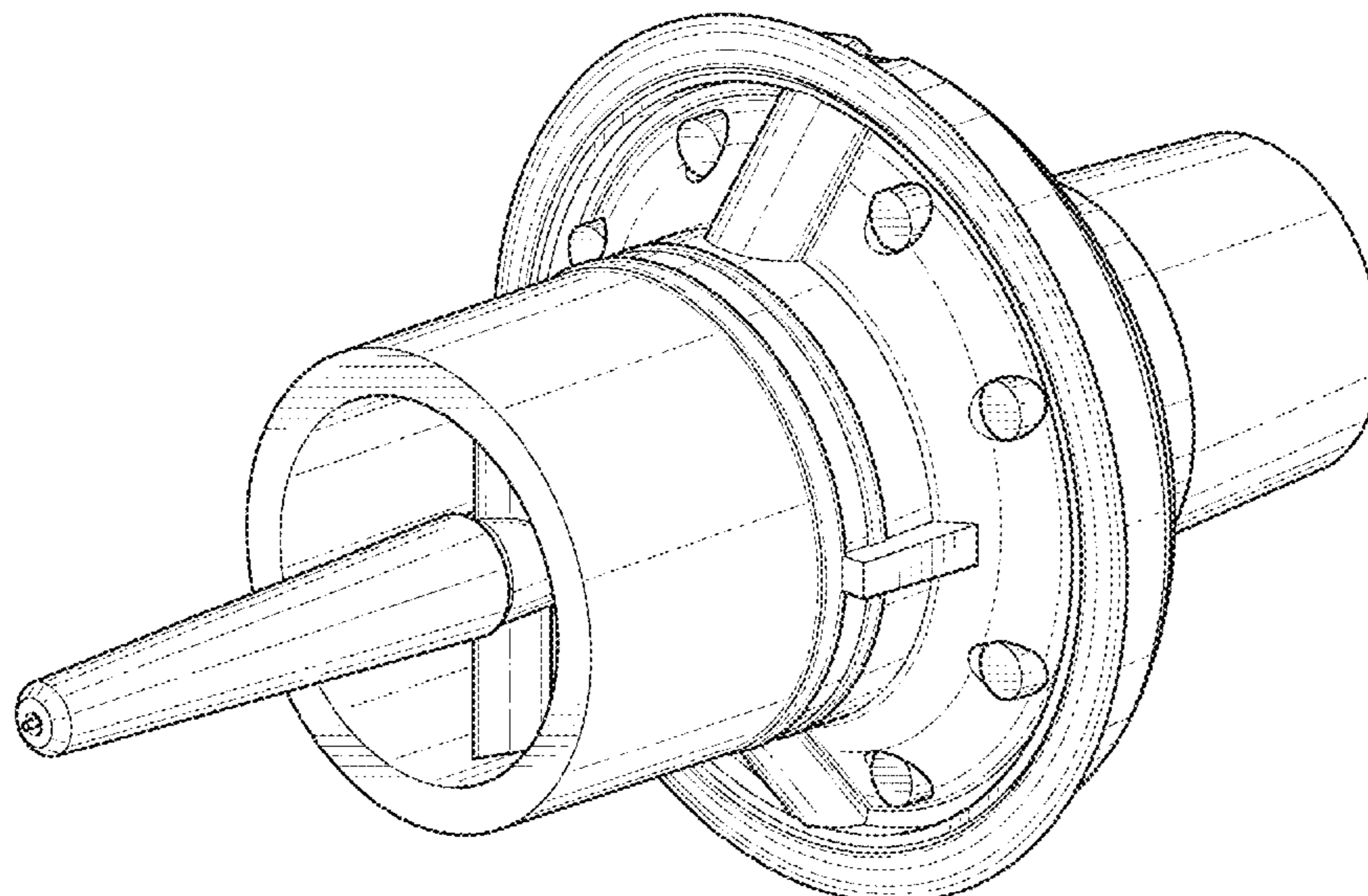
(57) **CLAIM**

The ornamental design for a powder spray gun component,
as shown and described.

DESCRIPTION

FIG. 1 is a top perspective view of a powder spray gun
component;
FIG. 2 is a top end view thereof;
FIG. 3 is a bottom end view thereof;
FIG. 4 is a left side view thereof;
FIG. 5 is a right side view thereof;
FIG. 6 is a rear end view thereof; and,
FIG. 7 is a front end view thereof.
The broken lines in the drawings are depicting unclaimed
portions of the powder spray gun component and form no
part of the claim.

1 Claim, 4 Drawing Sheets



(56)

References Cited

U.S. PATENT DOCUMENTS

D848,496 S 5/2019 Maeta et al.
10,493,473 B2 * 12/2019 Joseph B05B 7/0861
D891,578 S * 7/2020 Stech D23/213
D900,961 S * 11/2020 Wright D23/213
D912,714 S * 3/2021 Moran D15/150
D913,418 S * 3/2021 Mather D23/213
D926,922 S * 8/2021 Arenson D23/213
2015/0115073 A1 * 4/2015 Mather B05B 5/0533
239/690
2017/0027154 A1 2/2017 Waller
2018/0304287 A1 * 10/2018 Meuler B05B 7/2408

* cited by examiner

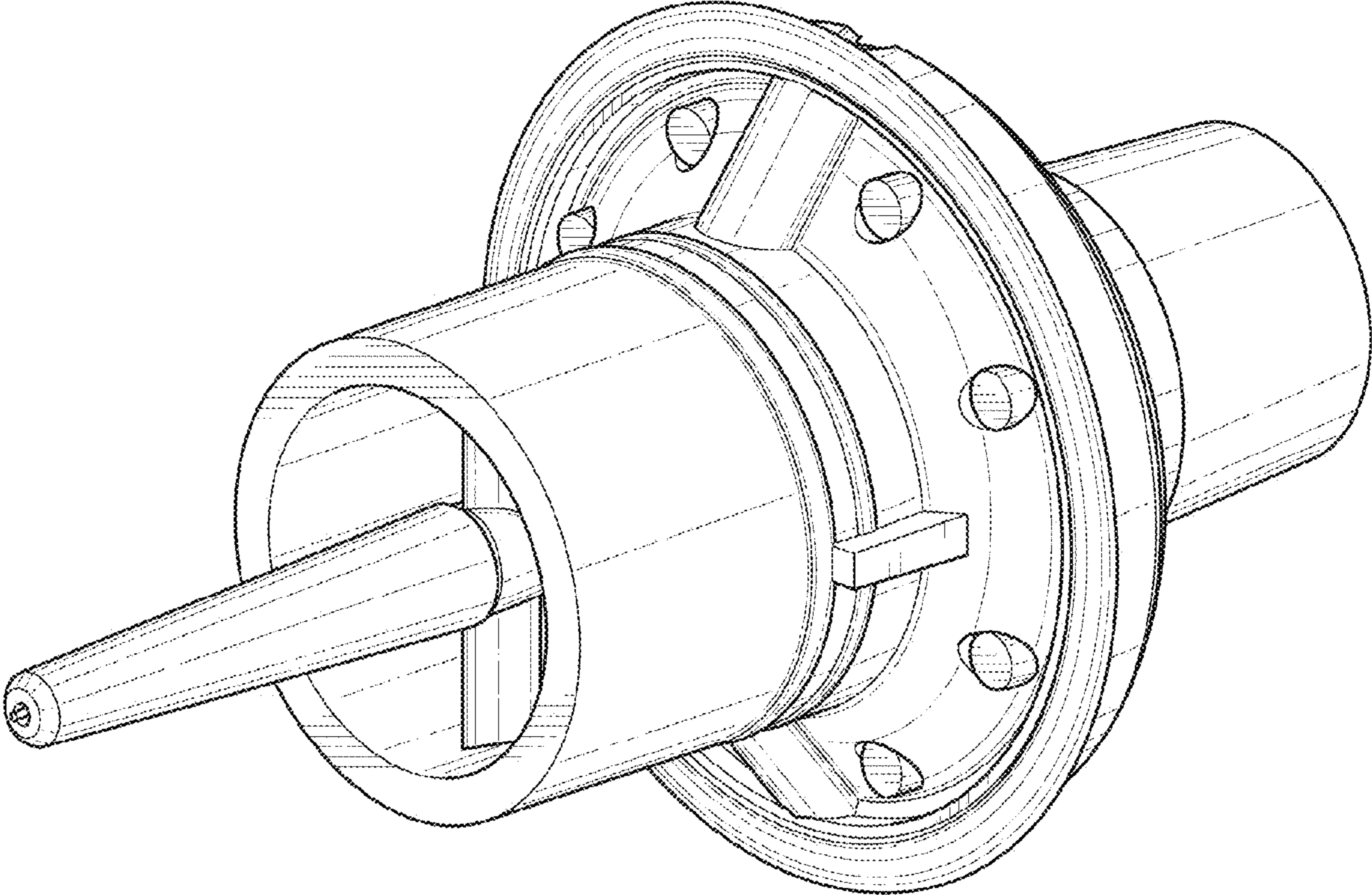


FIG. 1

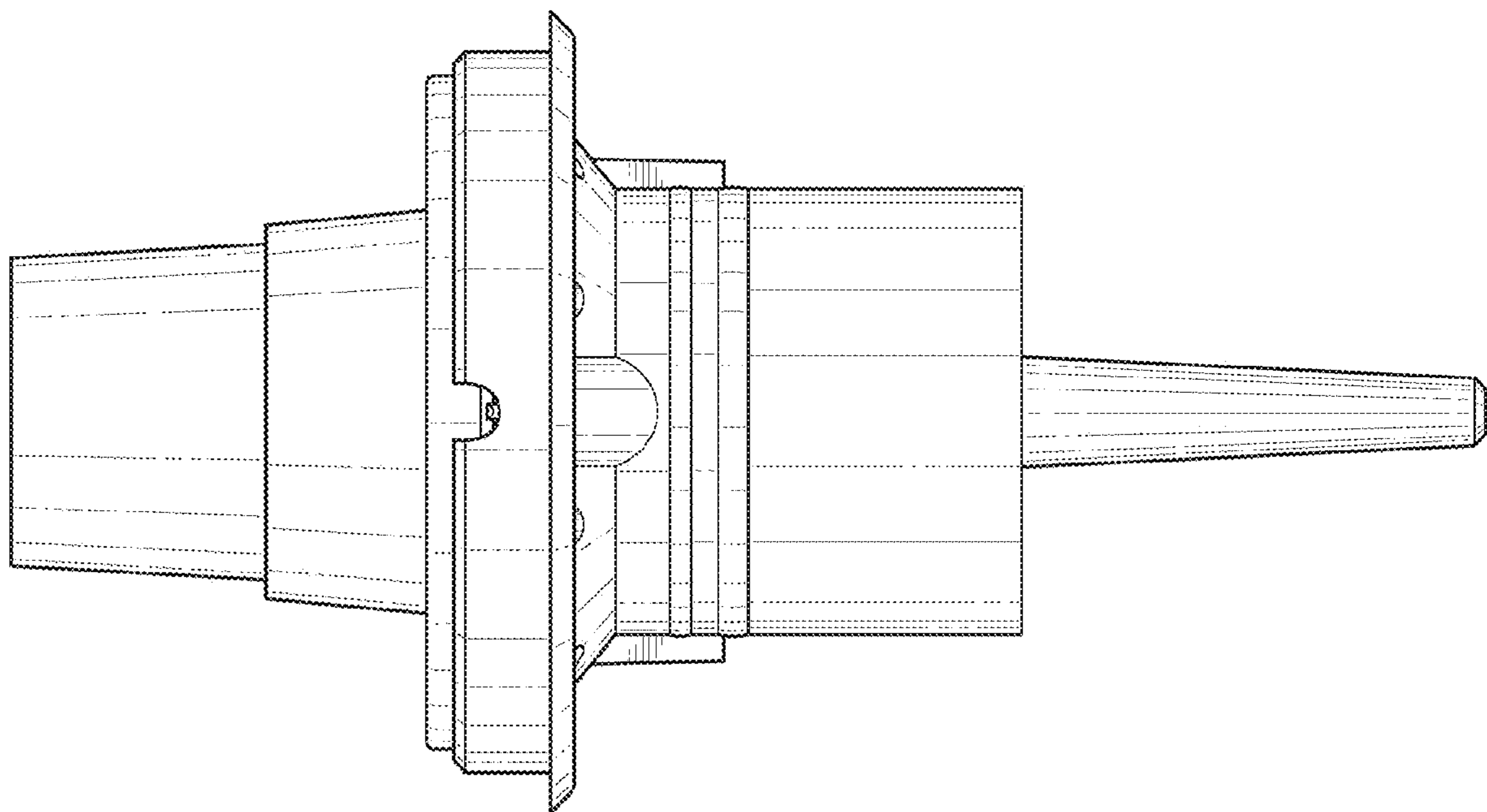


FIG. 2

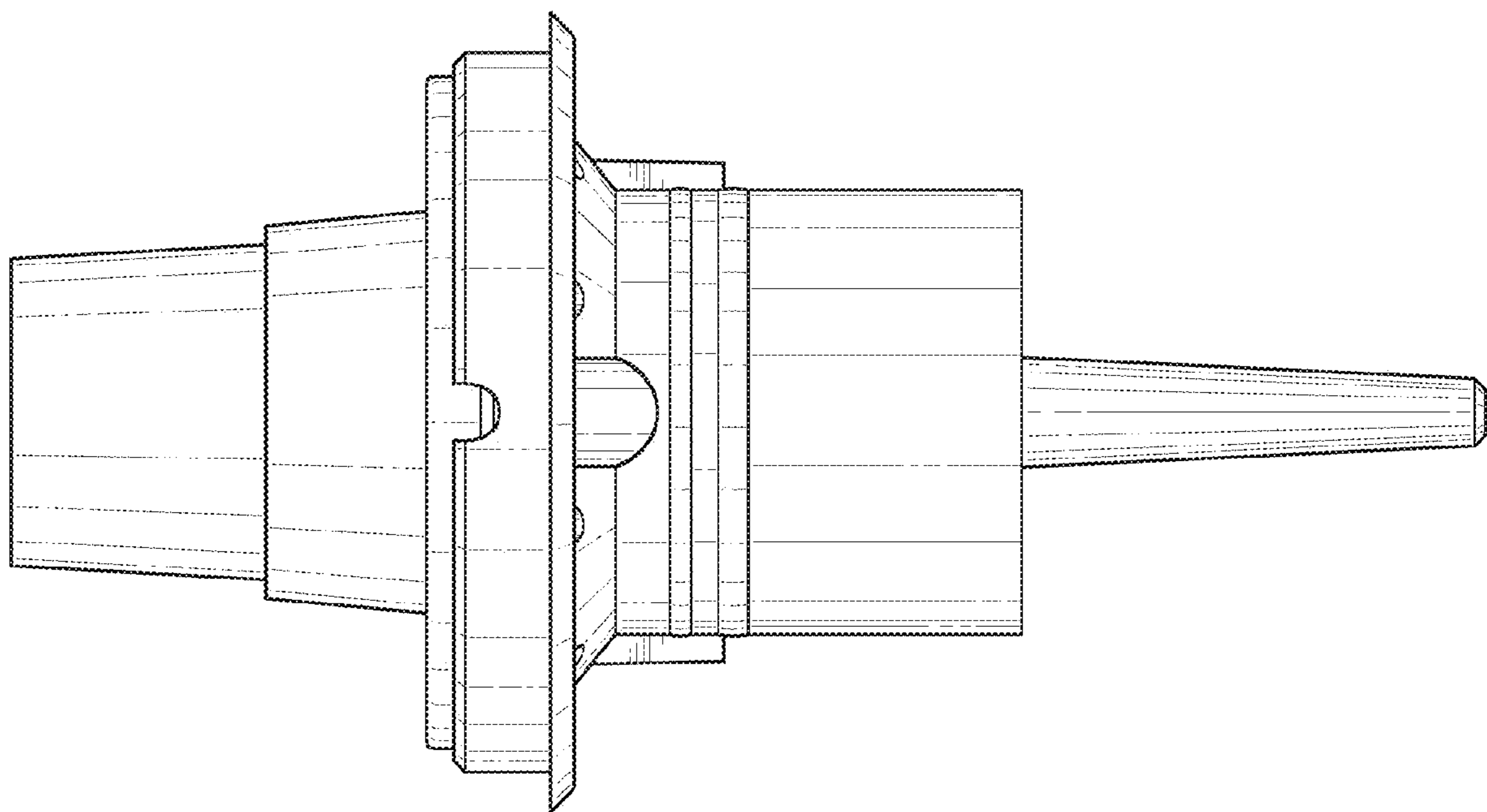


FIG. 3

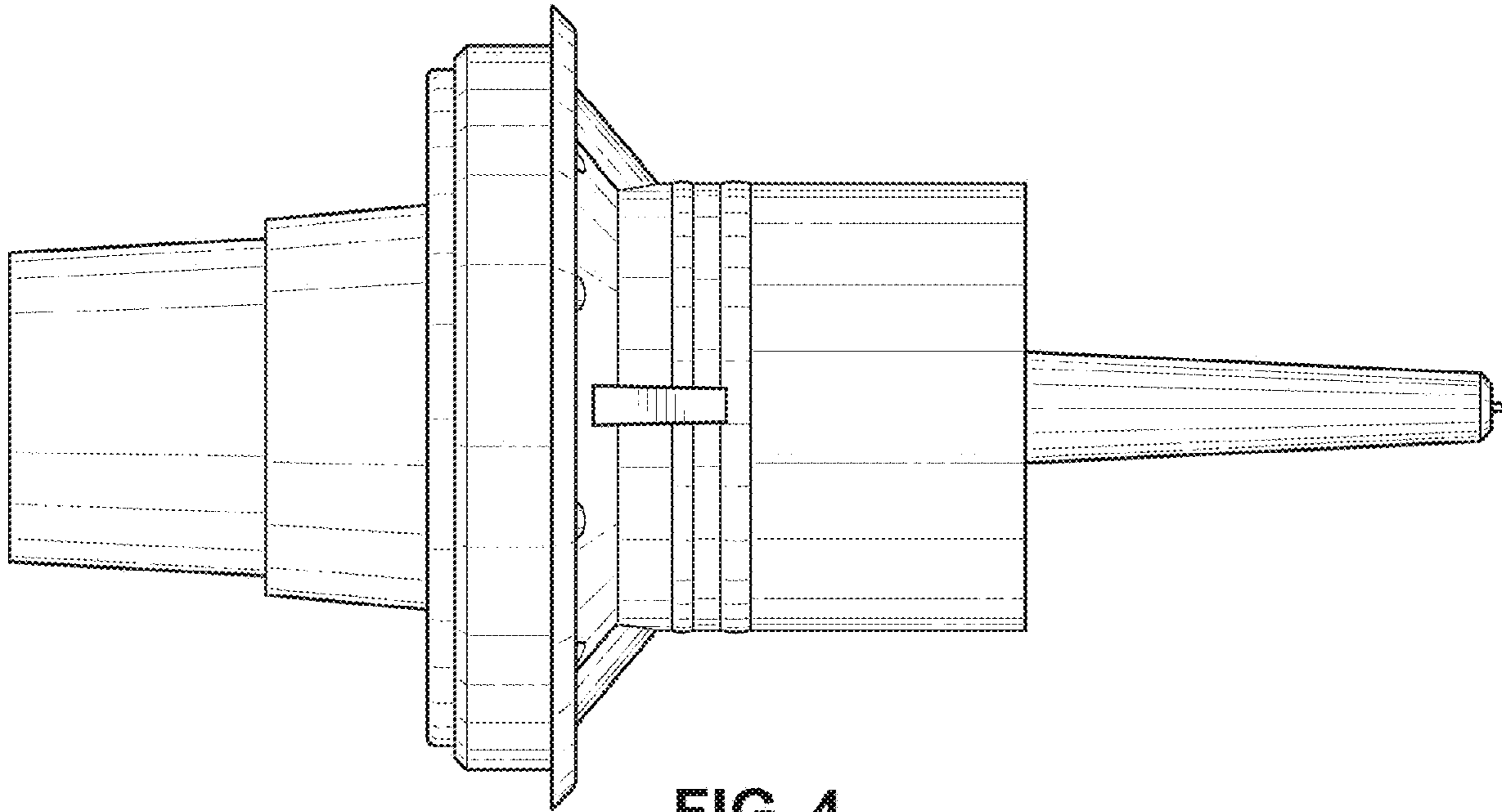


FIG. 4

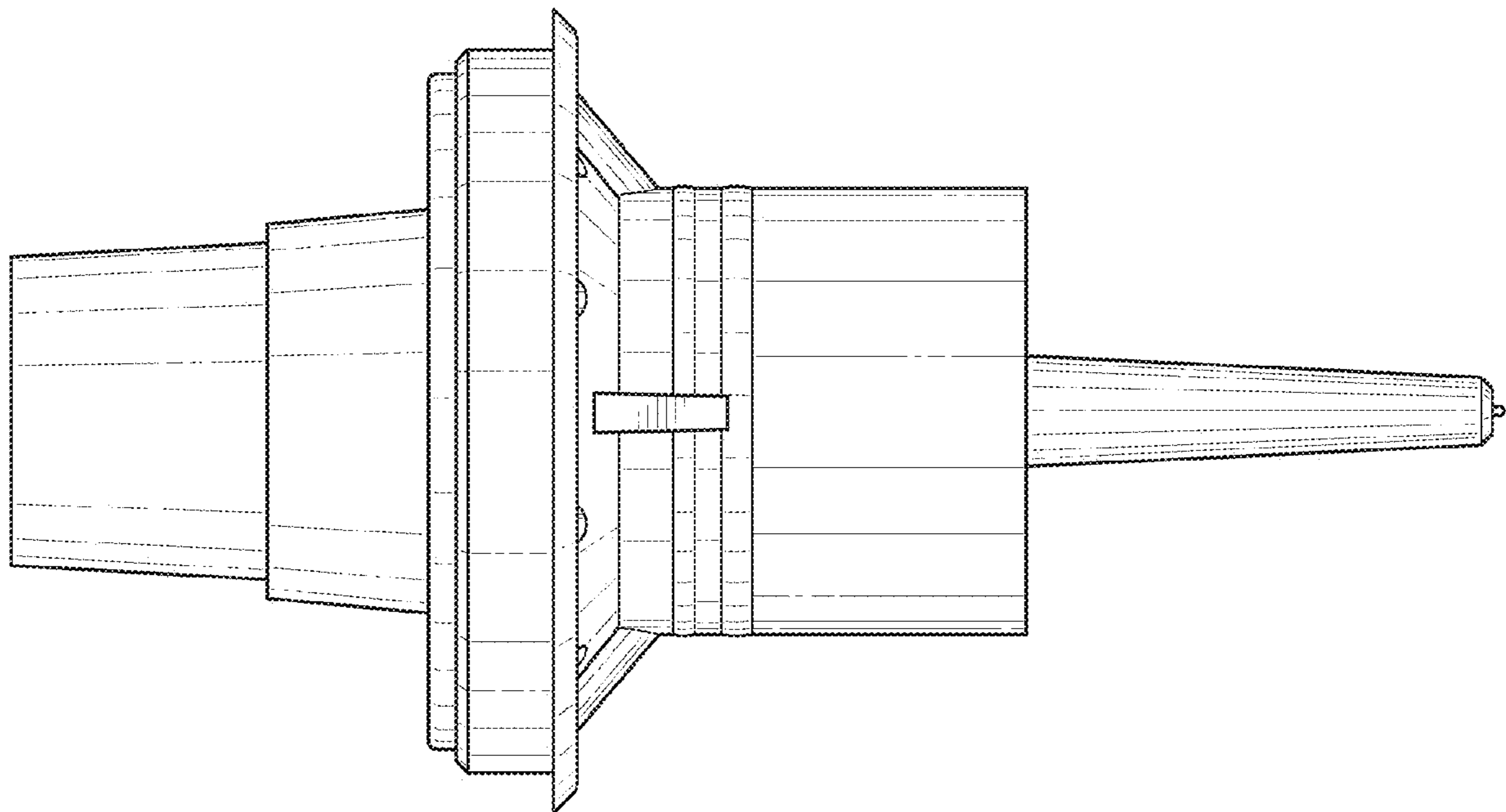


FIG. 5

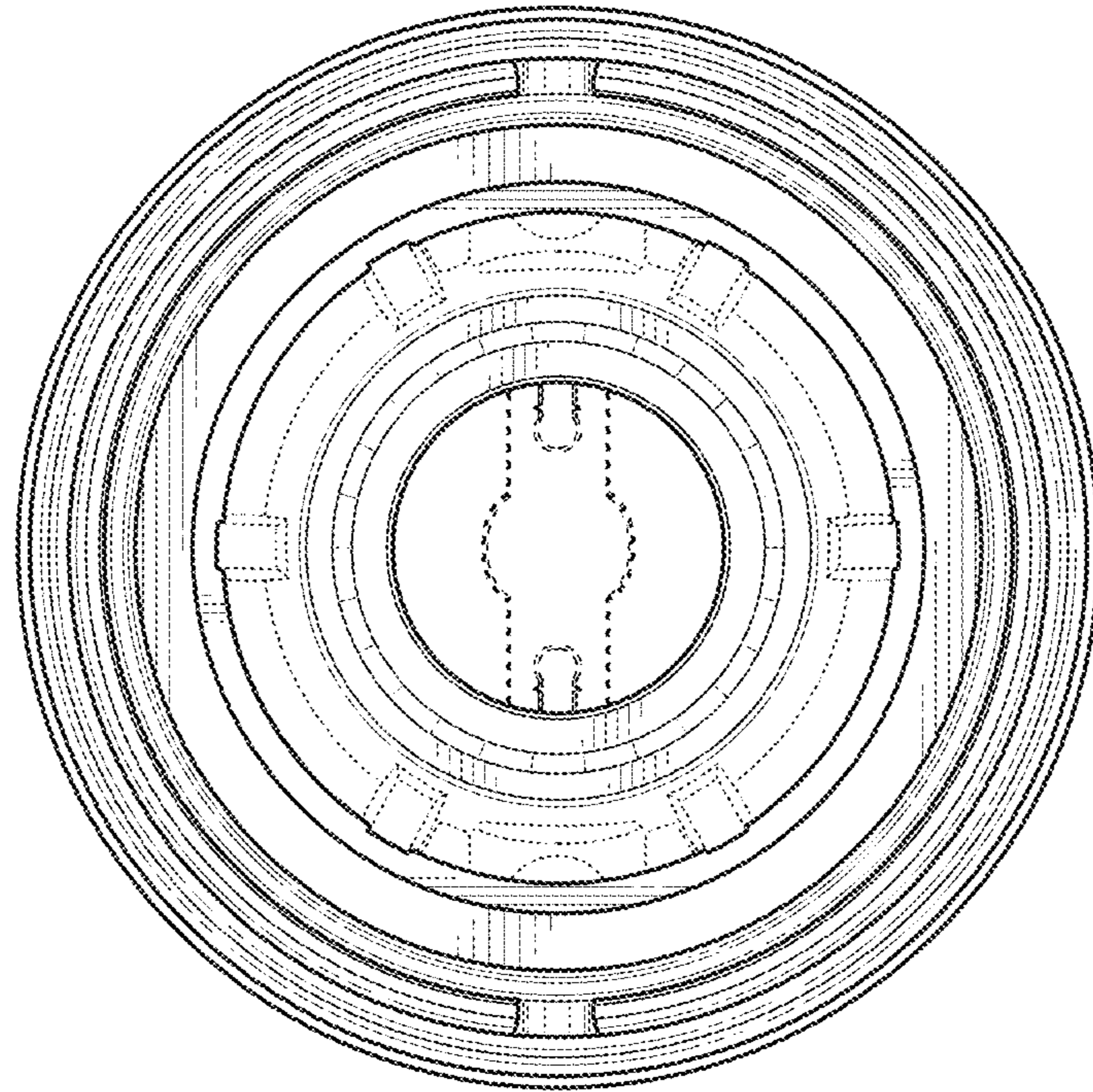


FIG. 6

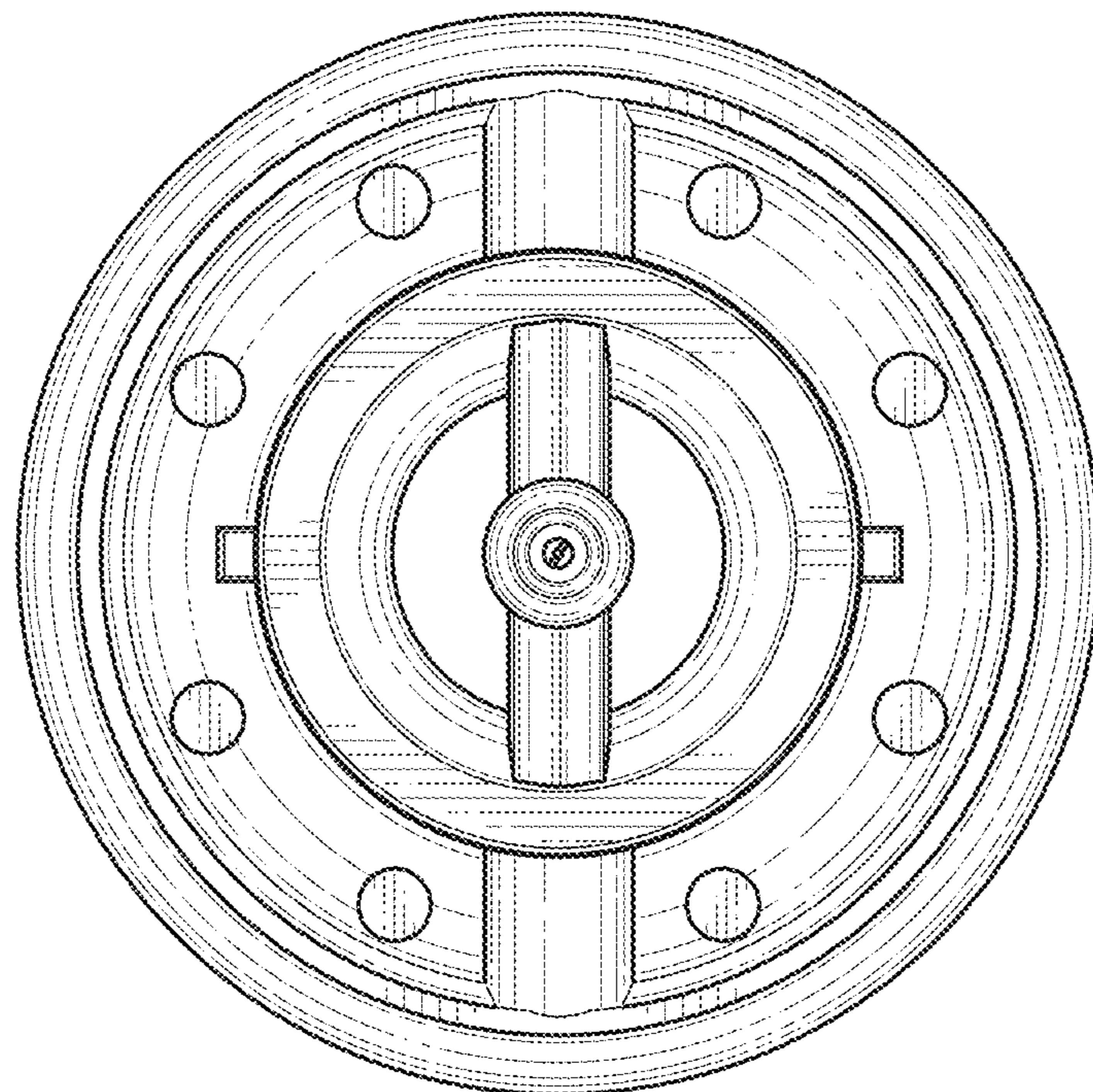


FIG. 7