



US00D986375S

(12) **United States Design Patent**  
**Poindexter et al.**

(10) **Patent No.:** **US D986,375 S**

(45) **Date of Patent:** **\*\* May 16, 2023**

(54) **FILTER**

(71) Applicant: **Helen of Troy Limited**, St. Michael (BB)

(72) Inventors: **Michael Poindexter**, New York, NY (US); **Mathieu Zastawny**, Jersey City, NJ (US)

(73) Assignee: **Helen of Troy Limited**, St. Michael (BB)

(\*\*) Term: **15 Years**

(21) Appl. No.: **29/851,409**

(22) Filed: **Aug. 29, 2022**

**Related U.S. Application Data**

(63) Continuation of application No. 29/776,186, filed on Mar. 29, 2021, now Pat. No. Des. 965,739.

(51) **LOC (14) Cl.** ..... **23-01**

(52) **U.S. Cl.**  
USPC ..... **D23/209**

(58) **Field of Classification Search**  
USPC ..... D23/207, 209, 210, 325, 355, 363, 365;  
D24/162  
CPC ..... B01D 27/00; B01D 27/08; B01D 29/00;  
B01D 2201/306; B01D 2201/309; B01D  
35/303; B01D 2221/02; C02F 1/002;  
C02F 1/003; C02F 9/005; C02F 2307/02;  
C02F 2307/04; C02F 2307/10  
See application file for complete search history.

(56) **References Cited**

**U.S. PATENT DOCUMENTS**

4,642,183 A 2/1987 Hebert  
D401,684 S \* 11/1998 Shelton ..... D23/365  
D403,414 S \* 12/1998 Shelton ..... D23/365  
D412,551 S 8/1999 Smith  
D420,094 S \* 2/2000 Woodard, Jr. .... D23/209

D440,294 S \* 4/2001 Bilek ..... D23/365  
6,238,552 B1 5/2001 Shannon  
6,354,344 B1 3/2002 Pluta  
6,565,743 B1 \* 5/2003 Poirier ..... B65D 51/00  
116/284  
D518,555 S 4/2006 De Muro, Jr.  
D529,126 S 9/2006 Miller  
D565,350 S 4/2008 Gauger  
D594,927 S \* 6/2009 Amtmann ..... D23/209  
D637,690 S 5/2011 Riedel  
D638,097 S 5/2011 Busick  
D656,577 S 3/2012 Salvador

(Continued)

**OTHER PUBLICATIONS**

Hskyhan Alkaline Water Filter, Jun. 17, 2017, Amazon, site visited Dec. 30, 2022: <https://www.amazon.com/dp/B072MMKN7N/> (Year: 2017).\*

(Continued)

*Primary Examiner* — Jack Reickel

*Assistant Examiner* — Bobby W Jones, II

(74) *Attorney, Agent, or Firm* — Rankin, Hill & Clark LLP

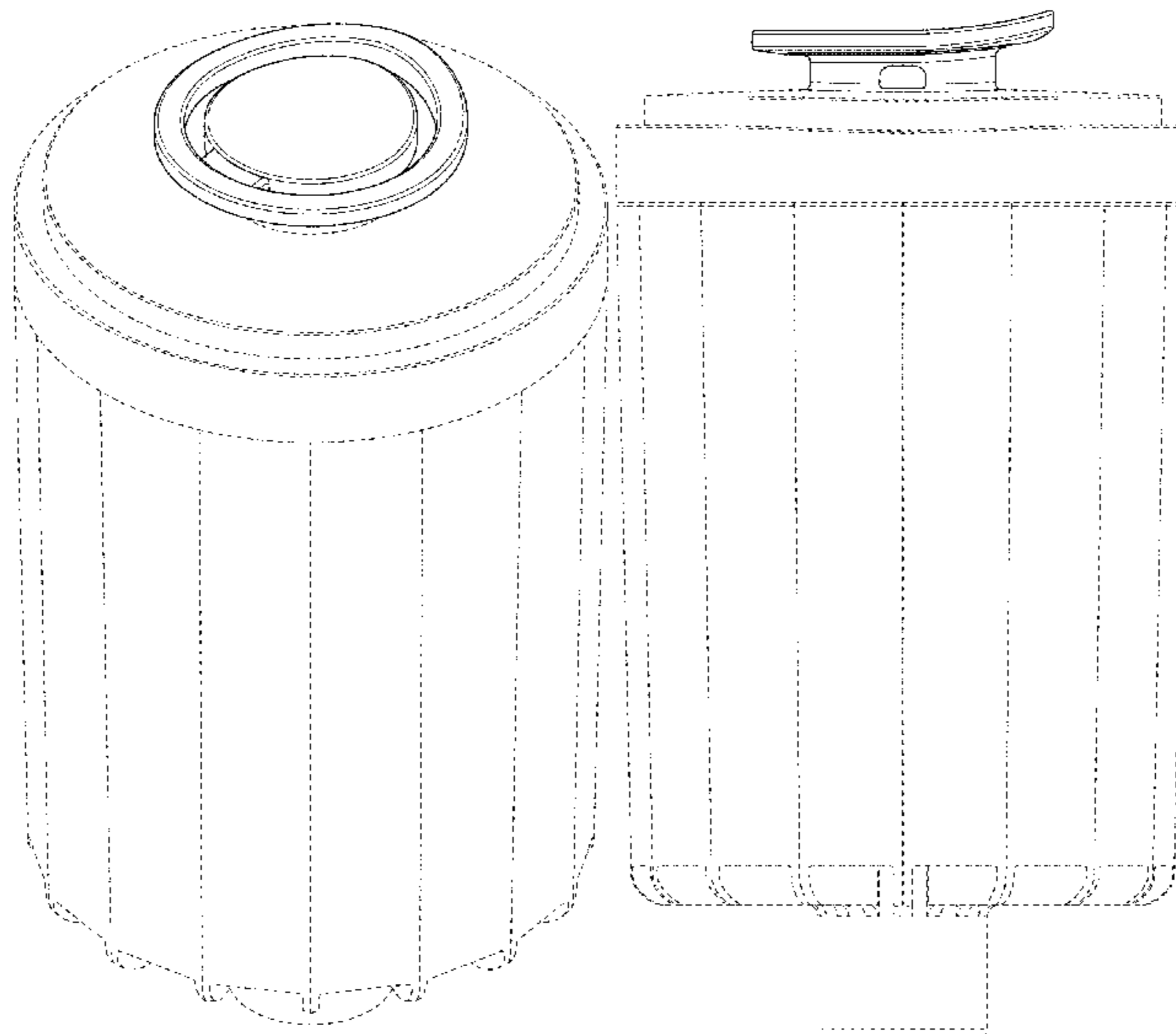
(57) **CLAIM**

The ornamental design for a filter, as shown and described.

**DESCRIPTION**

FIG. 1 is a perspective view of a filter showing our new design;  
FIG. 2 is a front elevation view of FIG. 1;  
FIG. 3 is a rear elevation view of FIG. 1;  
FIG. 4 is a left side elevation view of FIG. 1;  
FIG. 5 is a right side elevation view of FIG. 1;  
FIG. 6 is a top plan view of FIG. 1; and,  
FIG. 7 is a bottom plan view of FIG. 1.  
The broken lines in the drawings depict portions of the filter that form no part of the claimed design.

**1 Claim, 6 Drawing Sheets**



(56)

References Cited

U.S. PATENT DOCUMENTS

8,308,942 B2 11/2012 Swain  
 D679,812 S 4/2013 Taylor  
 D684,009 S \* 6/2013 Bell ..... D7/397  
 D717,395 S 11/2014 Neto  
 D730,731 S 6/2015 Bewley, Jr.  
 D751,170 S \* 3/2016 Ruprecht ..... D23/209  
 D793,525 S 8/2017 Morris  
 9,938,160 B2 4/2018 Ben-David  
 D820,385 S \* 6/2018 Bell ..... D23/209  
 D827,086 S \* 8/2018 Bell ..... D23/209  
 D831,789 S 10/2018 Dani  
 D835,233 S 12/2018 Coelho  
 10,266,421 B1 4/2019 Mayo  
 D956,923 S \* 7/2022 Yang ..... D23/209  
 D965,739 S \* 10/2022 Poindexter ..... D23/209  
 2003/0209484 A1 11/2003 Klotz  
 2010/0126928 A1 \* 5/2010 South ..... F02M 37/32  
 2012/0061312 A1 3/2012 Busick  
 2013/0319915 A1 \* 12/2013 Gellibolian ..... C02F 1/002  
 210/87

2014/0027368 A1 \* 1/2014 Bell ..... B01D 35/30  
 210/470  
 2015/0352468 A1 \* 12/2015 Lin ..... B01D 29/05  
 210/335  
 2016/0031719 A1 2/2016 Yang  
 2016/0332103 A1 \* 11/2016 Marks ..... B01D 46/0005  
 2017/0050127 A1 \* 2/2017 Dani ..... B01J 20/28052  
 2018/0140981 A1 5/2018 Kinjo  
 2018/0207560 A1 7/2018 Shotey  
 2020/0229579 A1 \* 7/2020 Rajan ..... B65D 35/10  
 2020/0376422 A1 \* 12/2020 Kamimoto ..... B01D 35/30

OTHER PUBLICATIONS

Replacement Pitcher Water Filter OB03, Oct. 27, 2021, Amazon, site visited Dec. 30, 2022: <https://www.amazon.com/dp/B09KGPPQ2G/> (Year: 2021).  
 Brita Standard Water Filter, Jun. 18, 2004, Amazon, site visited May 18, 2022: <https://www.amazon.com/dp/B00008IHL8/> (Year: 2004).  
 Wamery Water Filter, Jul. 7, 2016, Amazon, site visited May 18, 2022: <https://www.amazon.com/dp/B01I7C5494/> (Year: 2016).

\* cited by examiner

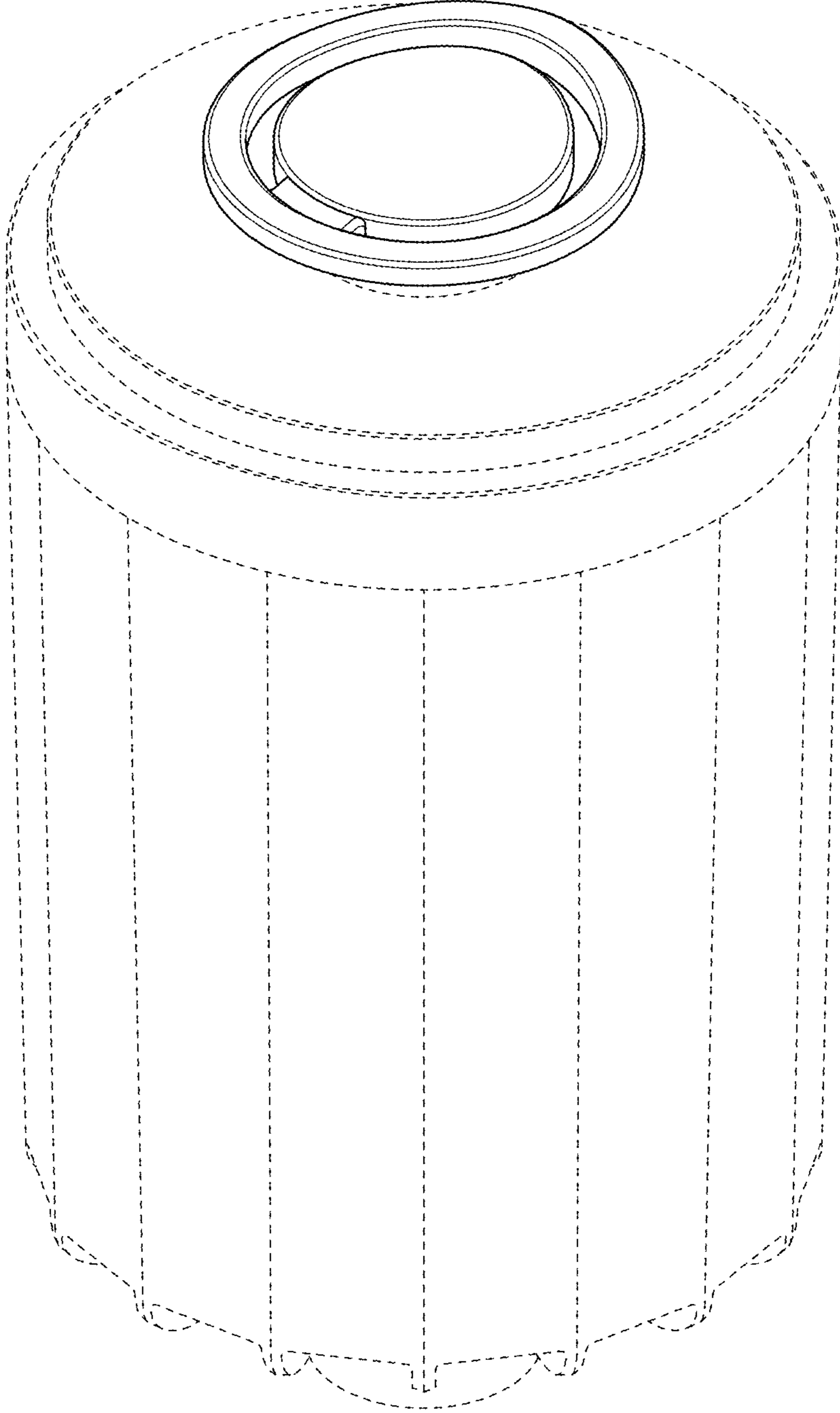


FIG. 1

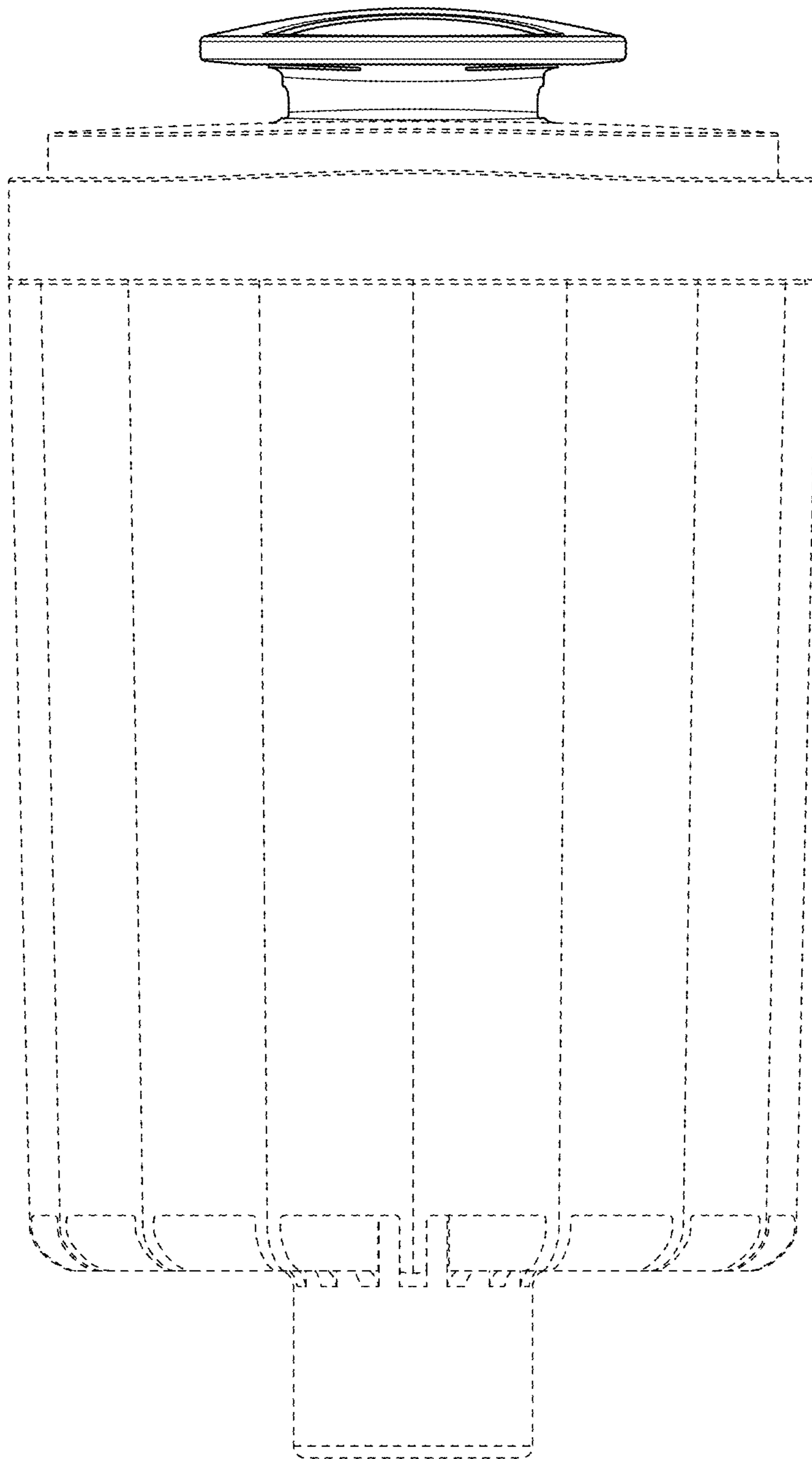


FIG. 2

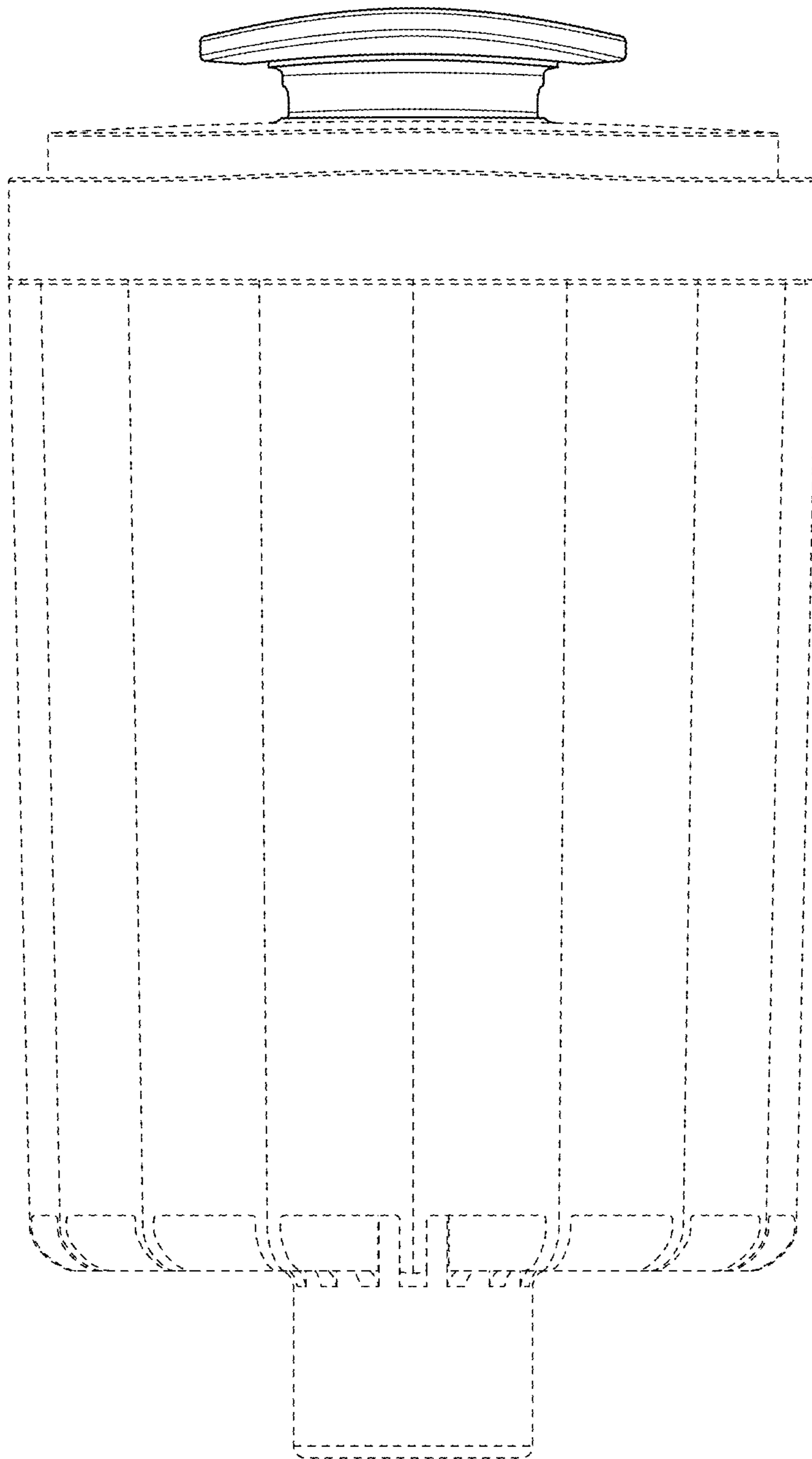


FIG. 3

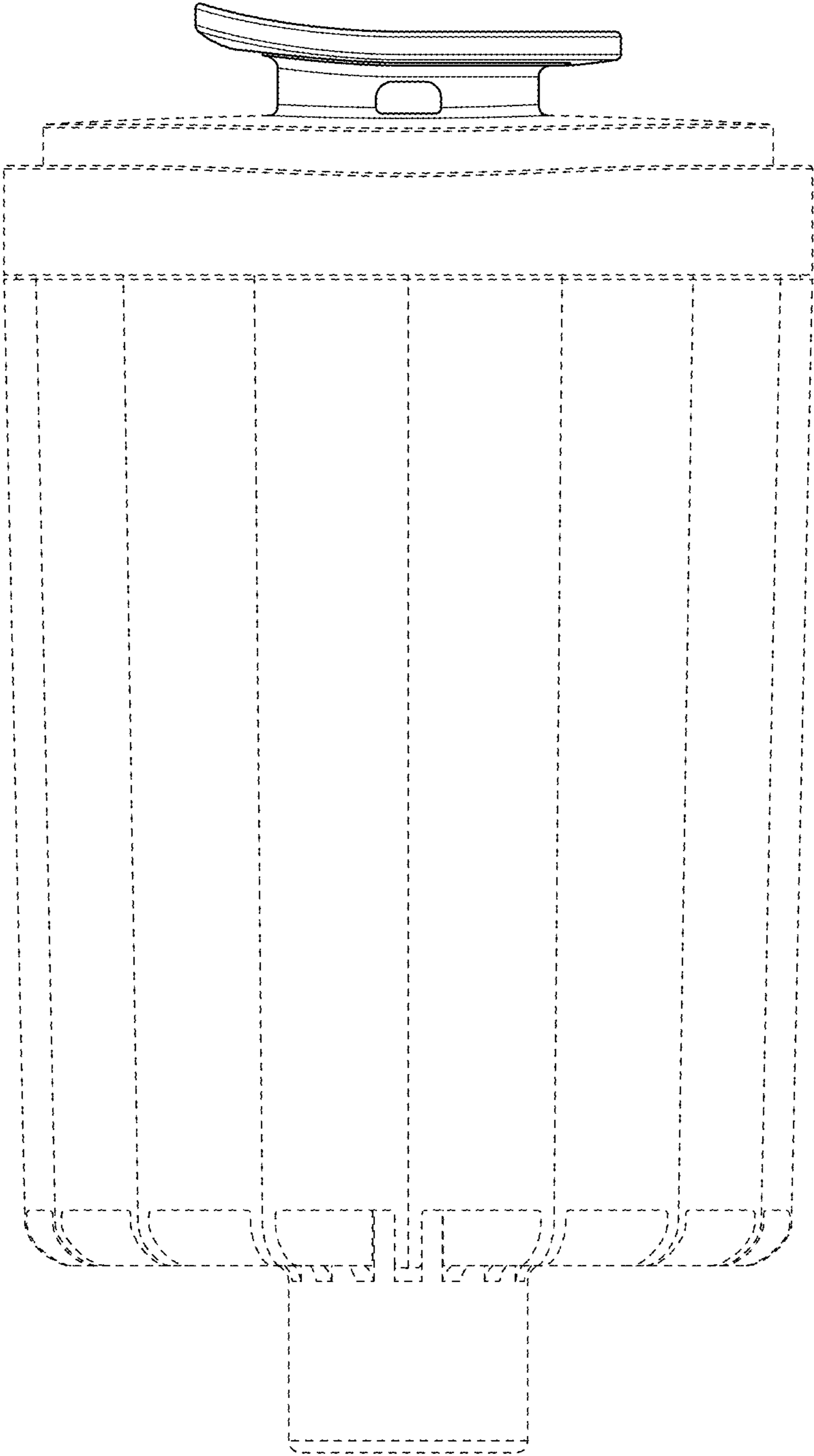


FIG. 4

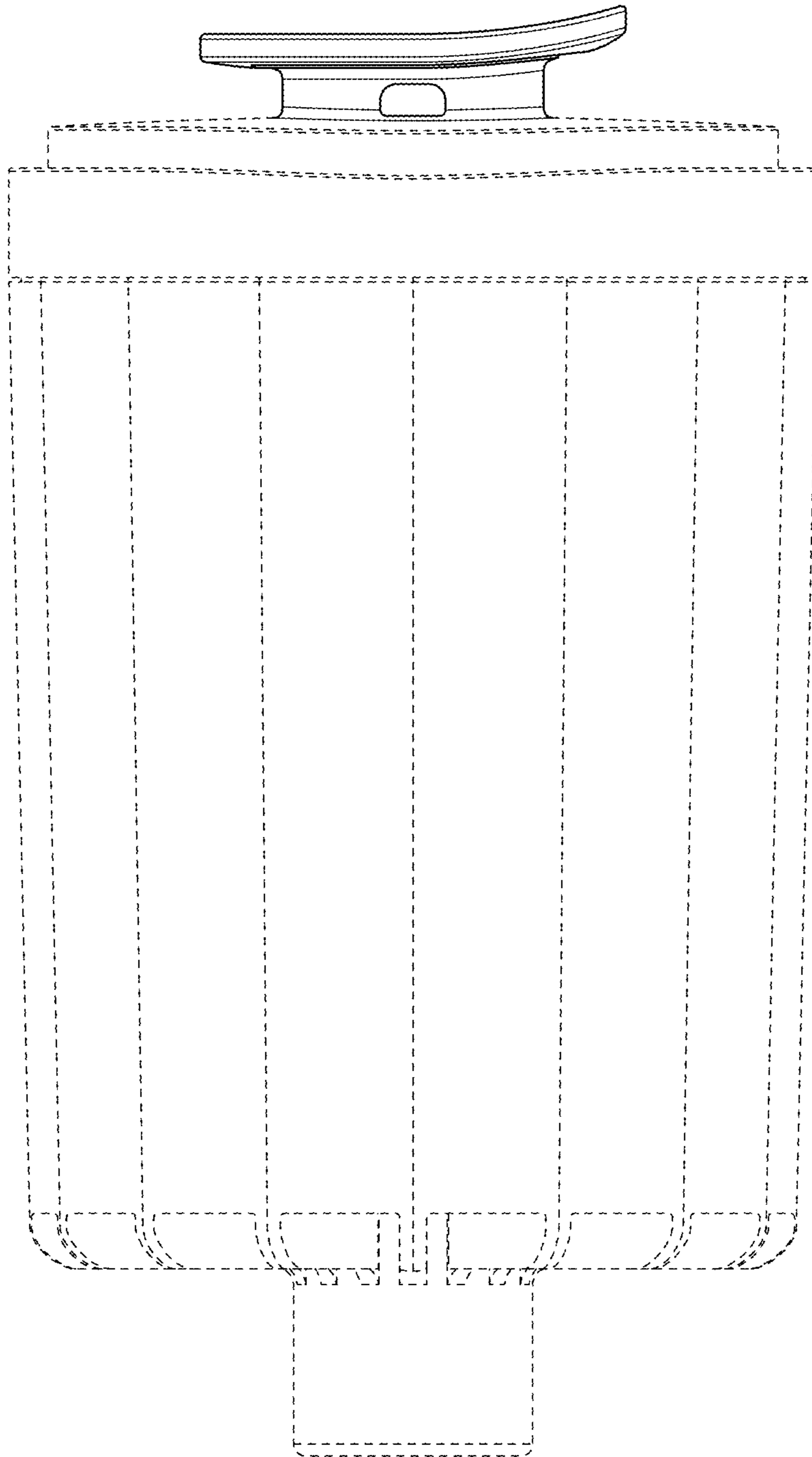


FIG. 5

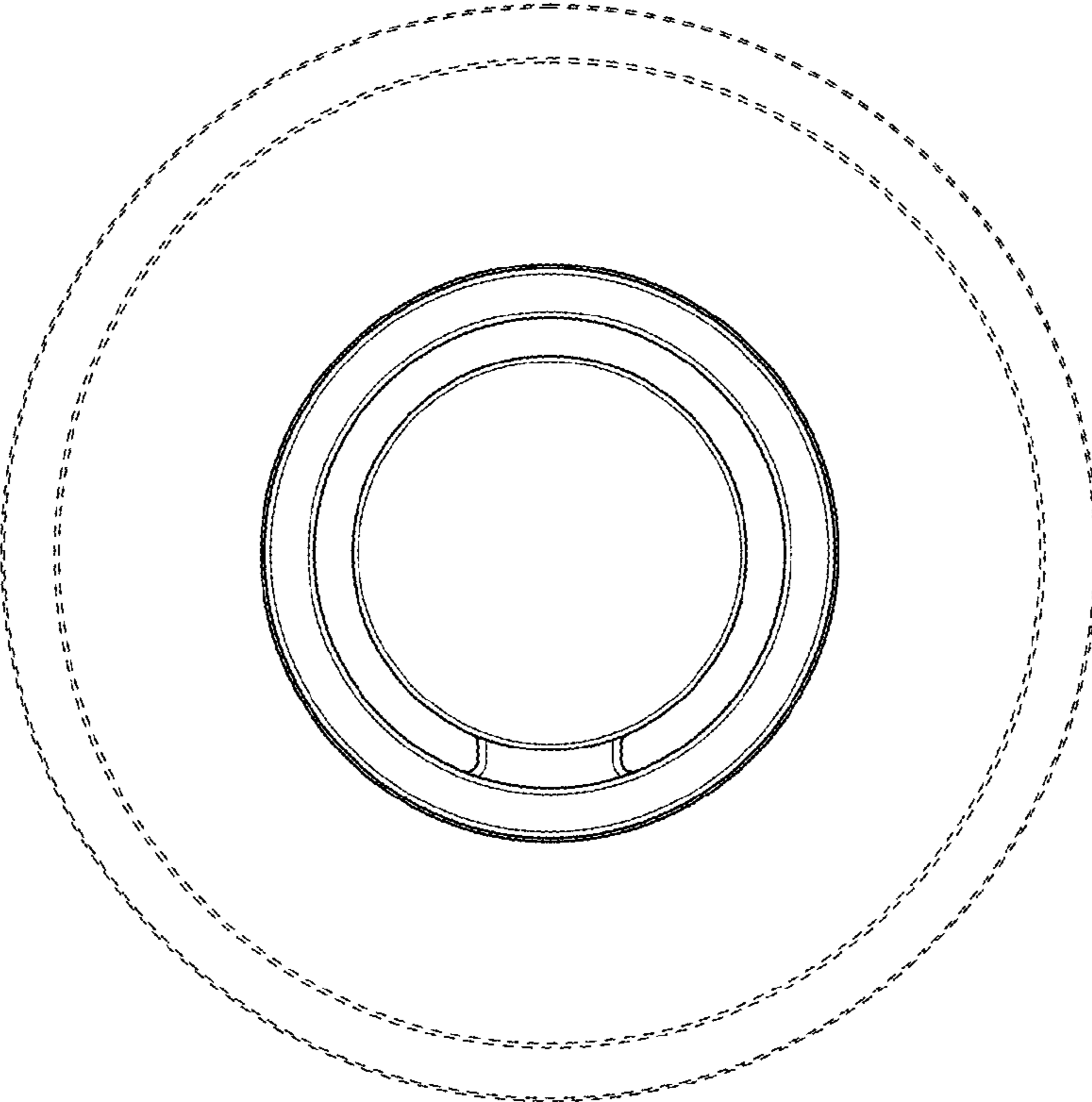


FIG. 6

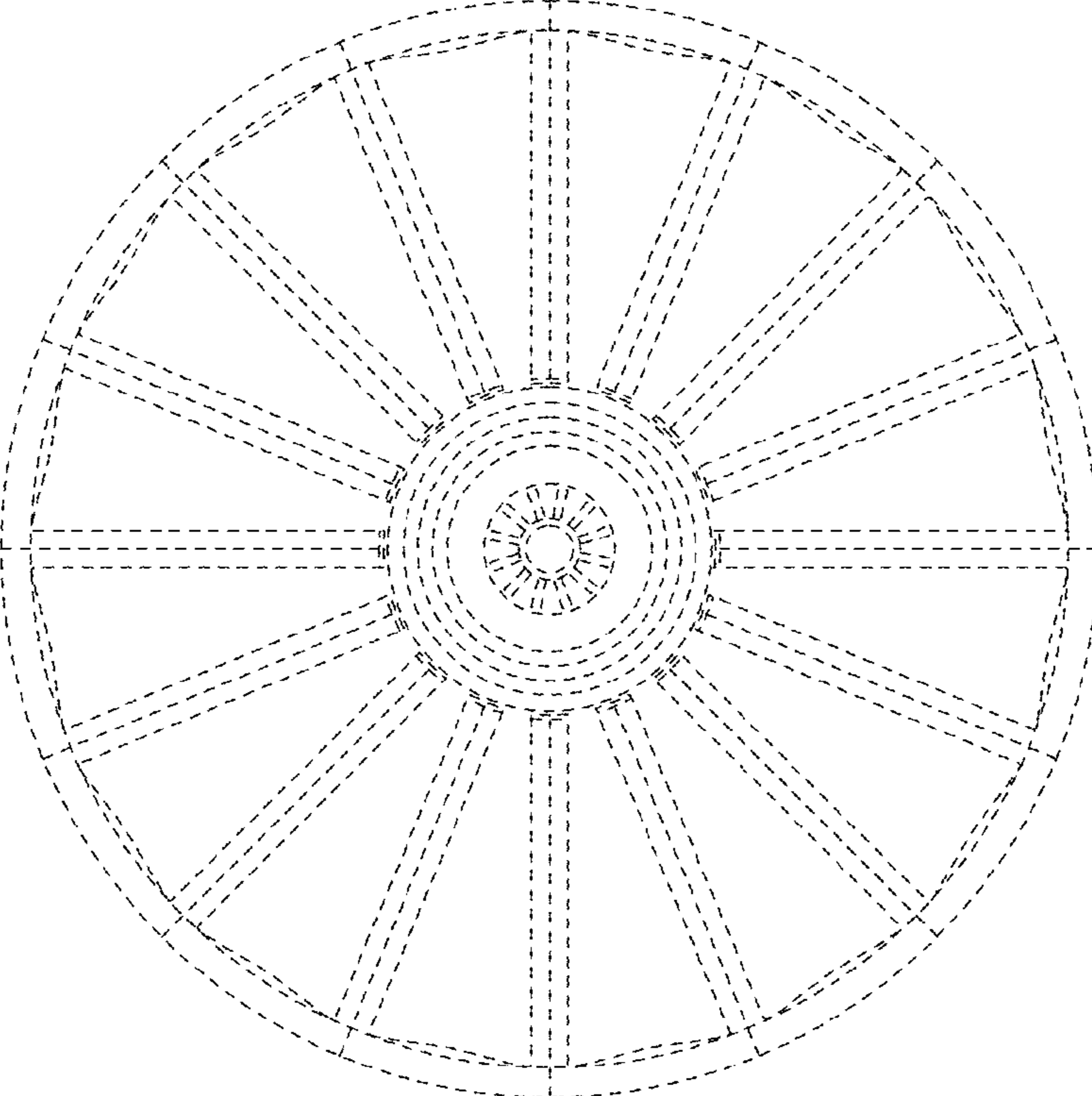


FIG. 7