



US00D986374S

(12) **United States Design Patent**  
**Jungers**

(10) **Patent No.:** **US D986,374 S**

(45) **Date of Patent:** **\*\* May 16, 2023**

(54) **ICE FISHING ACCESSORY STAND**

(71) Applicant: **Jon W. Jungers**, Brainerd, MN (US)

(72) Inventor: **Jon W. Jungers**, Brainerd, MN (US)

(\*\*) Term: **15 Years**

(21) Appl. No.: **29/756,389**

(22) Filed: **Oct. 28, 2020**

(51) **LOC (14) Cl.** ..... **22-05**

(52) **U.S. Cl.**  
USPC ..... **D22/134**

(58) **Field of Classification Search**

USPC ..... D22/134, 136, 147-148; D3/260;  
43/21.2, 25.2, 54.1; 206/315.11; D6/552

CPC ..... A01K 97/08; A01K 97/10  
See application file for complete search history.

(56) **References Cited**

**U.S. PATENT DOCUMENTS**

5,331,761 A *	7/1994	Kuthy	.....	A01K 97/10 206/315.11
D460,859 S *	7/2002	Tipton	.....	D3/260
7,185,456 B1 *	3/2007	Schoenecker	.....	A01K 97/01 43/17
D574,668 S *	8/2008	Kelly	.....	D22/136
D586,425 S *	2/2009	Alley	.....	D22/147
D599,877 S *	9/2009	Battin, Jr.	.....	D22/147
7,621,073 B2 *	11/2009	O’Keeffe	.....	A01K 97/08 43/54.1
D658,266 S *	4/2012	Legatt	.....	D22/134
D717,157 S *	11/2014	Widdows	.....	D8/356
D774,631 S *	12/2016	Bricko	.....	D23/317
D878,094 S *	3/2020	Lawrence	.....	D6/552
D904,555 S *	12/2020	Hall	.....	D22/147

**OTHER PUBLICATIONS**

[https://www.amazon.com/BESPORTBLE-Universal-Chair-Fishing-Holder/dp/B09M3BV6SG/ref=sr\\_1\\_1?crid=234OPA015WCZN](https://www.amazon.com/BESPORTBLE-Universal-Chair-Fishing-Holder/dp/B09M3BV6SG/ref=sr_1_1?crid=234OPA015WCZN)

&keywords=besportble+universal+chair+fishing+pole+holder%3A+chair+mount+rod+holder+stainless+steel+fishing+pole+rack+ice+fishing+rod+stand+fishing+chair+accessory&qid=1672971683&srefix=+universal+chair+fishing+pole+holder%3A+chair+moun+t+rod+holder+stainless+steel+fishing+pole+rack+ice+fishing+rod+stand+fishing+chair+accessory&qid=1672971683&srefix=besportble+universal+chair+fishing+pole+holder+chair+mount+rod+holde+r+stainless+steel+fishing+pole+rack+ice+fishing+rod+stand+fishing+chair+accessory%2Caps%2C86&sr=8-1 (Year: 2021).\*  
[https://sibereon.com/products/ice-fishing-seat-box-fishbox?currency=USD&variant=30274093088853&utm\\_campaign=&utm\\_source=google&utm\\_medium=cpc&gclid=EAIalQobChMlkt-z1vSx\\_AIViLLiCh2OfQoiEAQYASABEgKYzvD\\_BwE](https://sibereon.com/products/ice-fishing-seat-box-fishbox?currency=USD&variant=30274093088853&utm_campaign=&utm_source=google&utm_medium=cpc&gclid=EAIalQobChMlkt-z1vSx_AIViLLiCh2OfQoiEAQYASABEgKYzvD_BwE) (Year: 2023).\*  
[https://www.amazon.com/Brocrafit-Ice-Fishing-Stand-Holder/dp/B07J3WNG3T/ref=sr\\_1\\_2?keywords=brocraft+Ice+fishing+stand+rod+holder&qid=1673550836&sr=8-2](https://www.amazon.com/Brocrafit-Ice-Fishing-Stand-Holder/dp/B07J3WNG3T/ref=sr_1_2?keywords=brocraft+Ice+fishing+stand+rod+holder&qid=1673550836&sr=8-2) (Year: 2018).\*

\* cited by examiner

*Primary Examiner* — Catherine R Oliver-Garcia

(74) *Attorney, Agent, or Firm* — Dicke, Billig & Czaja, PLLC

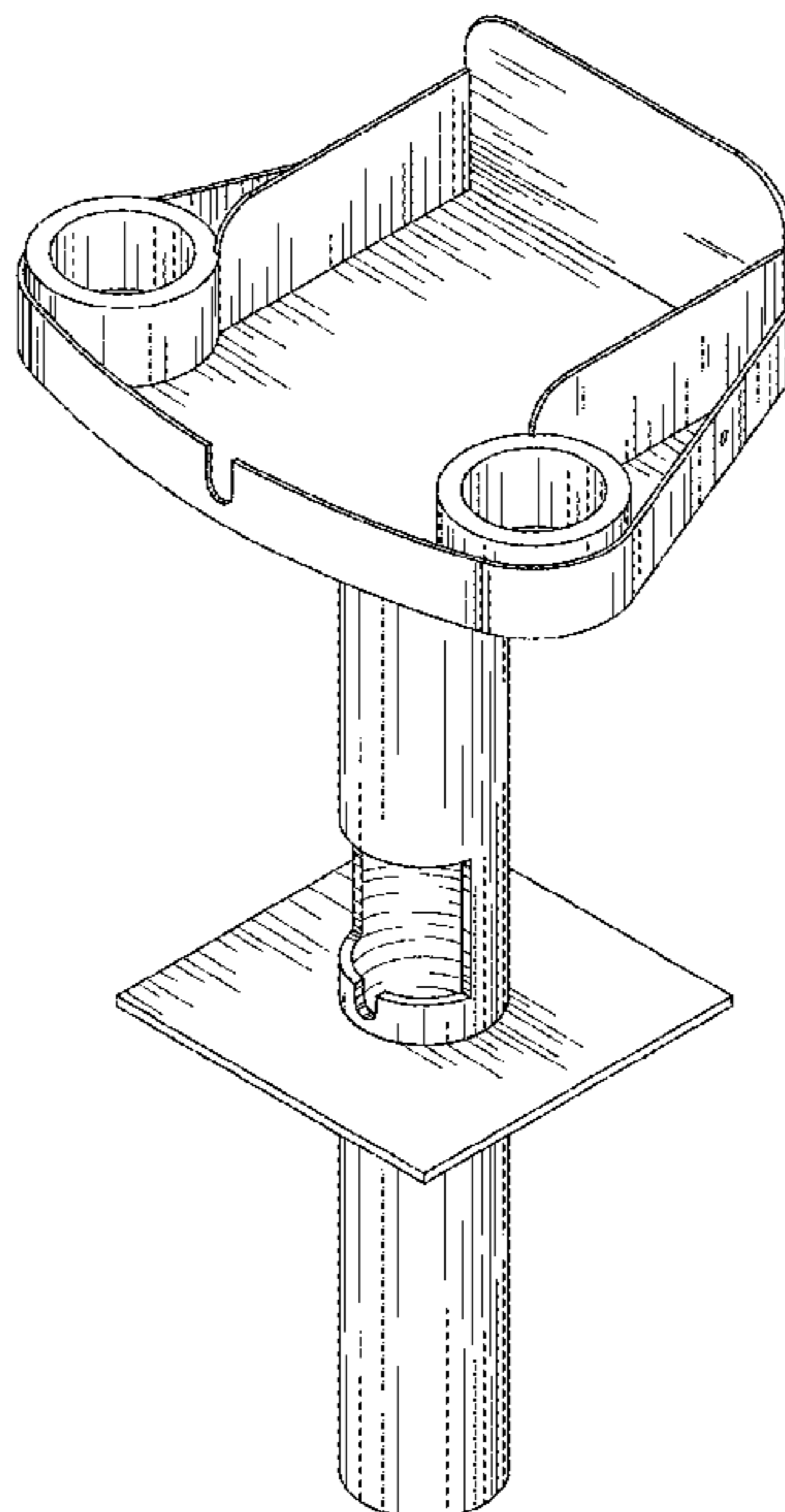
(57) **CLAIM**

The ornamental design for a ice fishing accessory stand, as shown and described herein.

**DESCRIPTION**

FIG. 1 is a top perspective view of a ice fishing accessory stand in accordance with principles of the present design; FIG. 2 is a front end view thereof; FIG. 3 is a right side view thereof; FIG. 4 is a left side view thereof; FIG. 5 is a rear end view thereof; FIG. 6 is a top plan view thereof; and, FIG. 7 is a bottom plan view thereof.

**1 Claim, 7 Drawing Sheets**



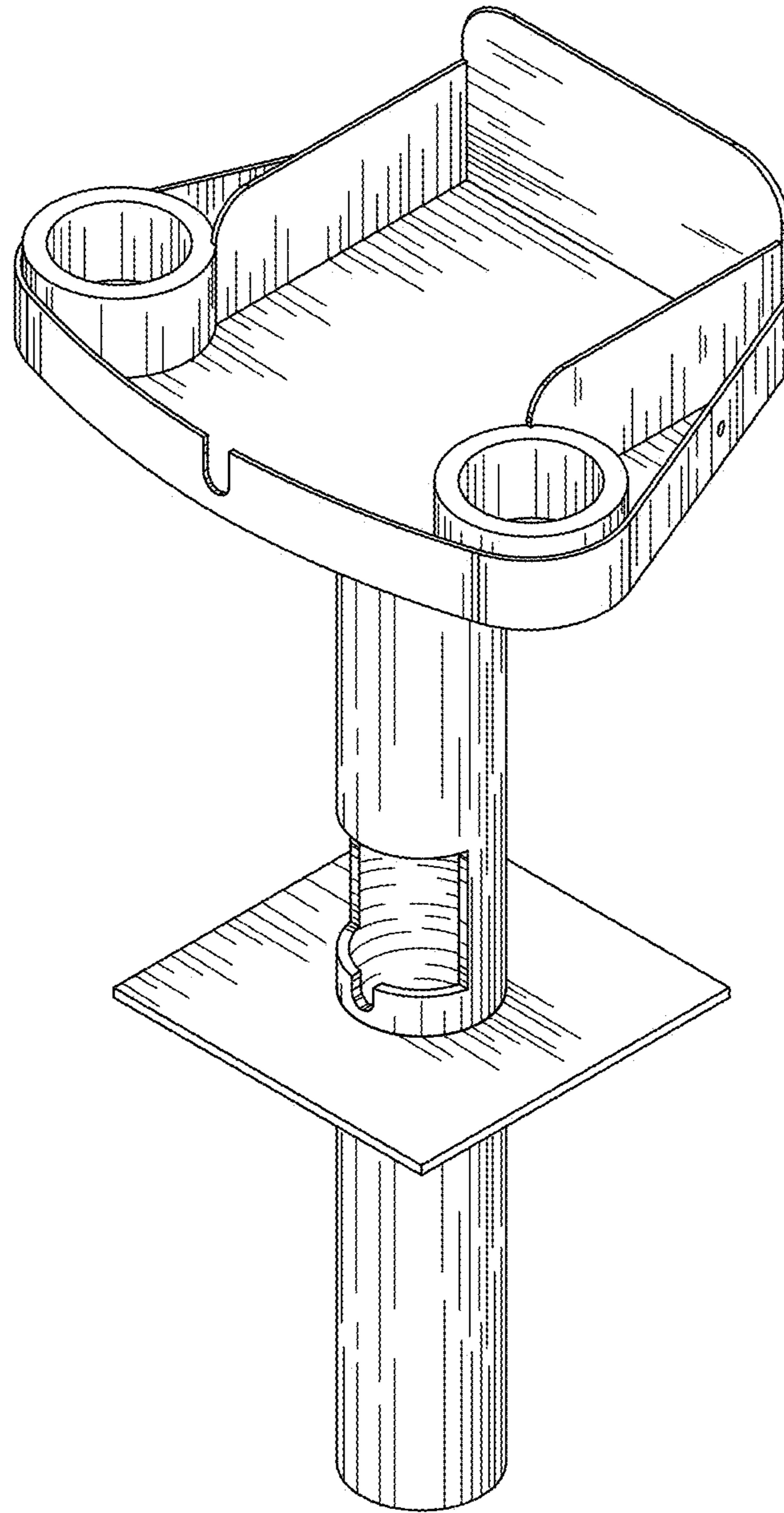


FIG. 1

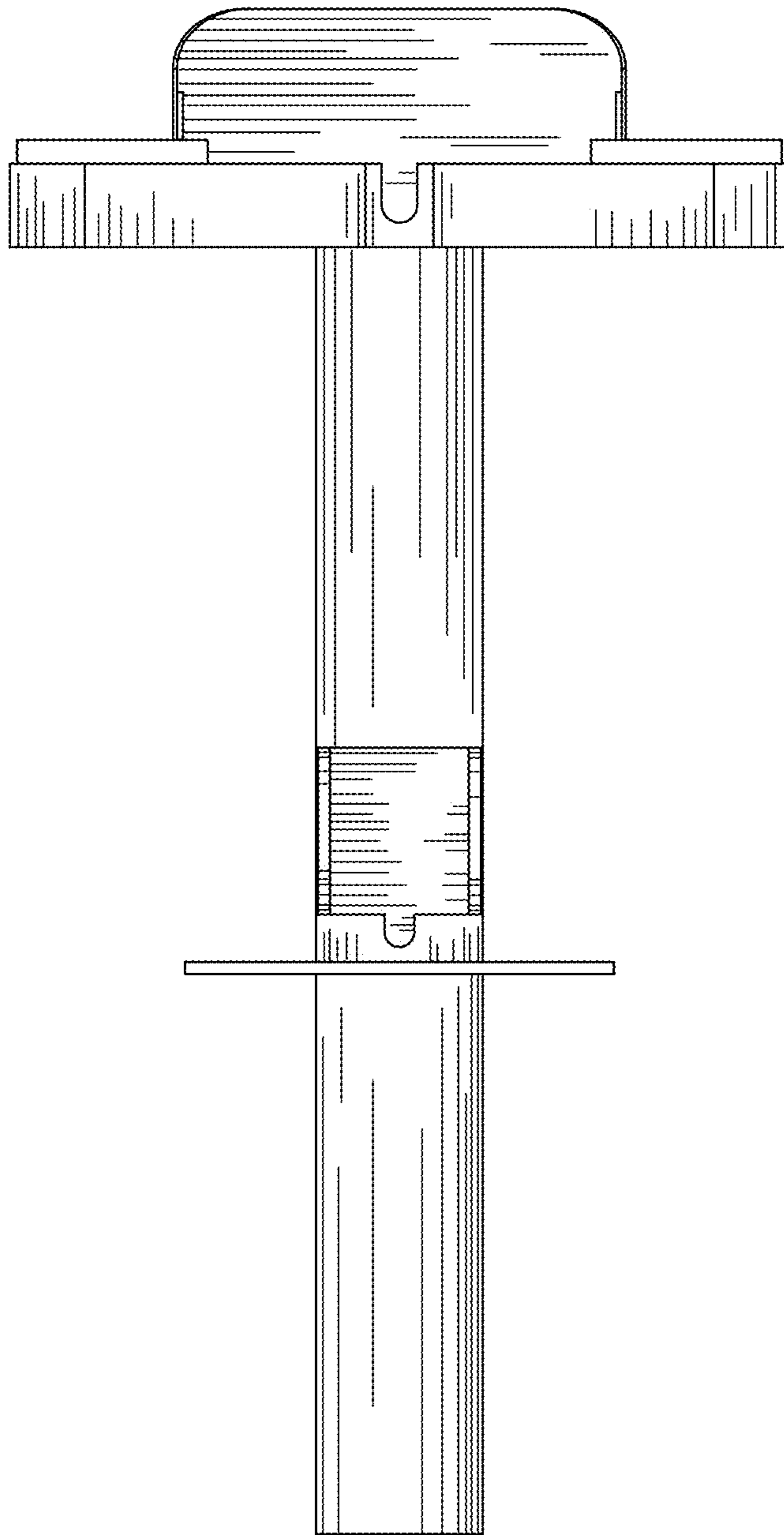


FIG. 2

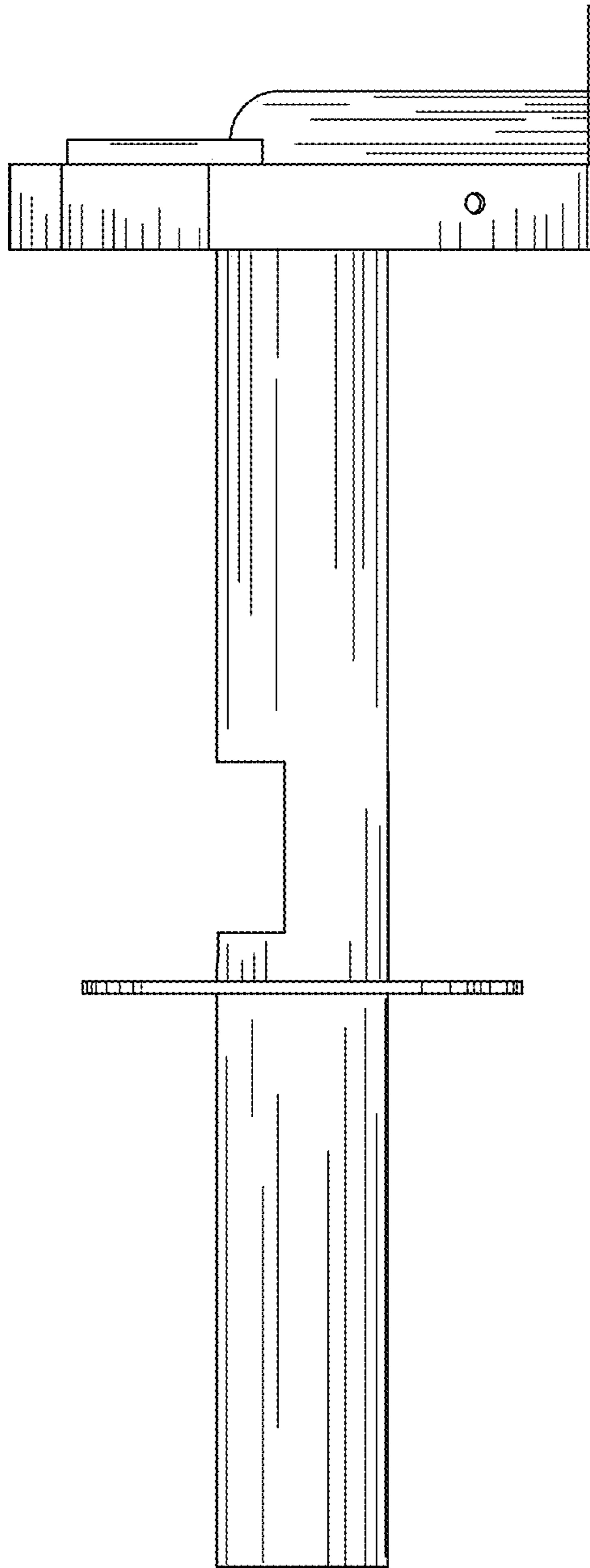


FIG. 3

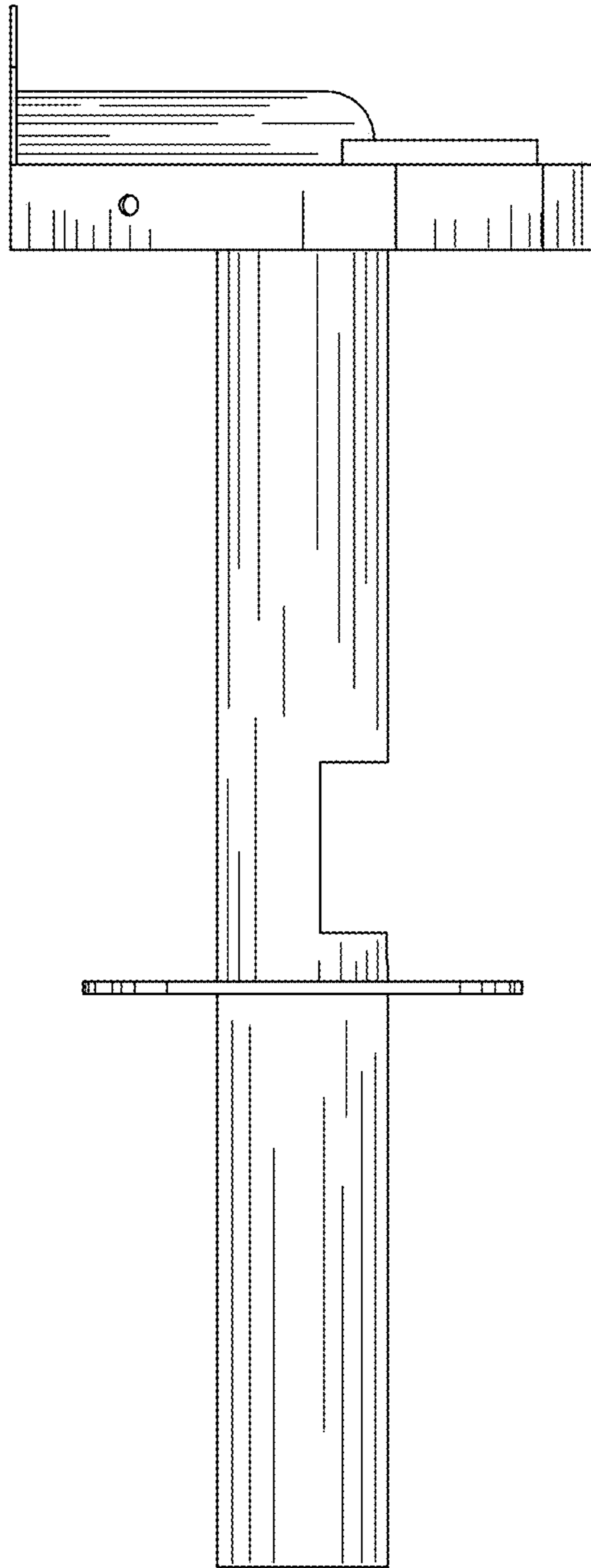


FIG. 4

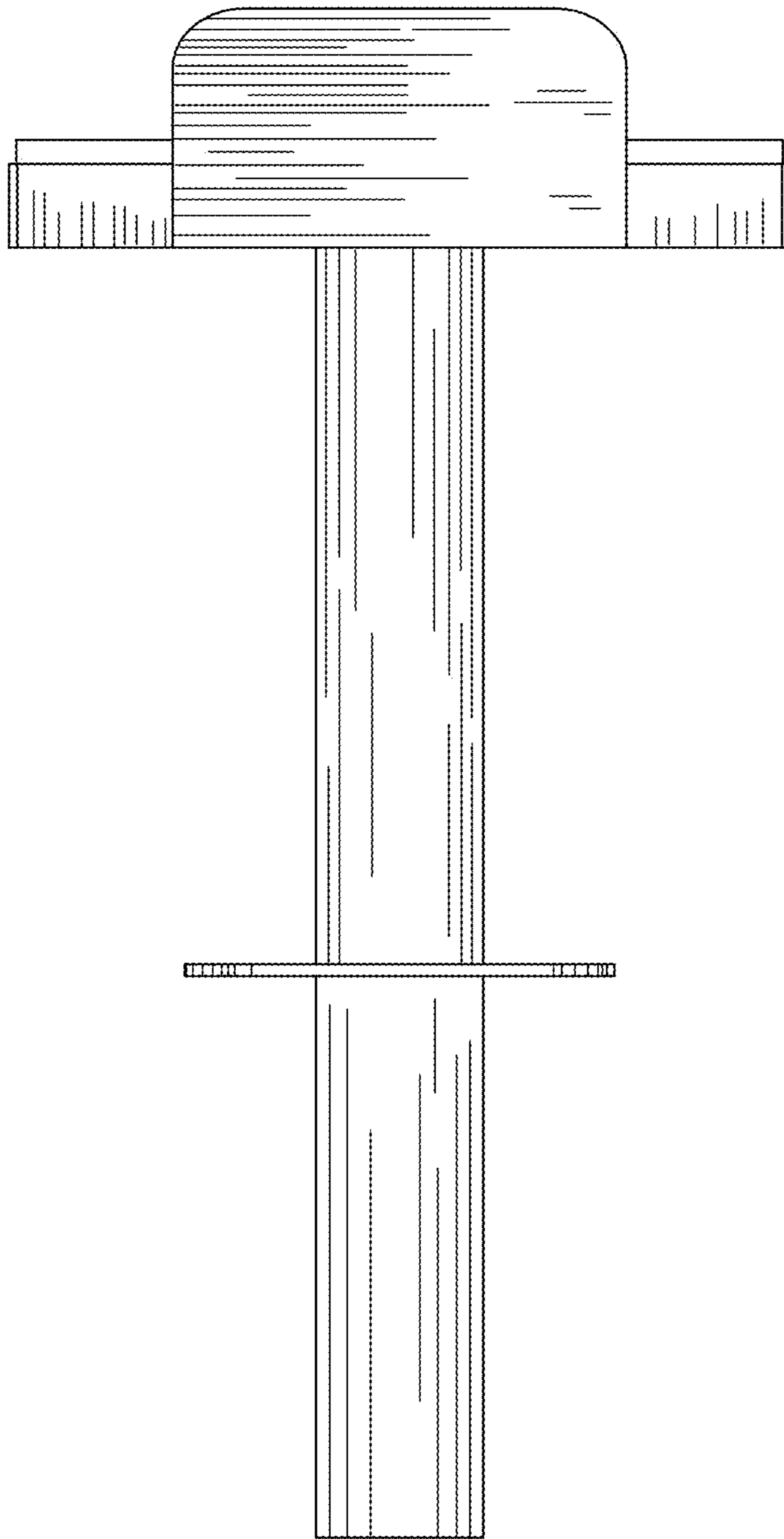


FIG. 5



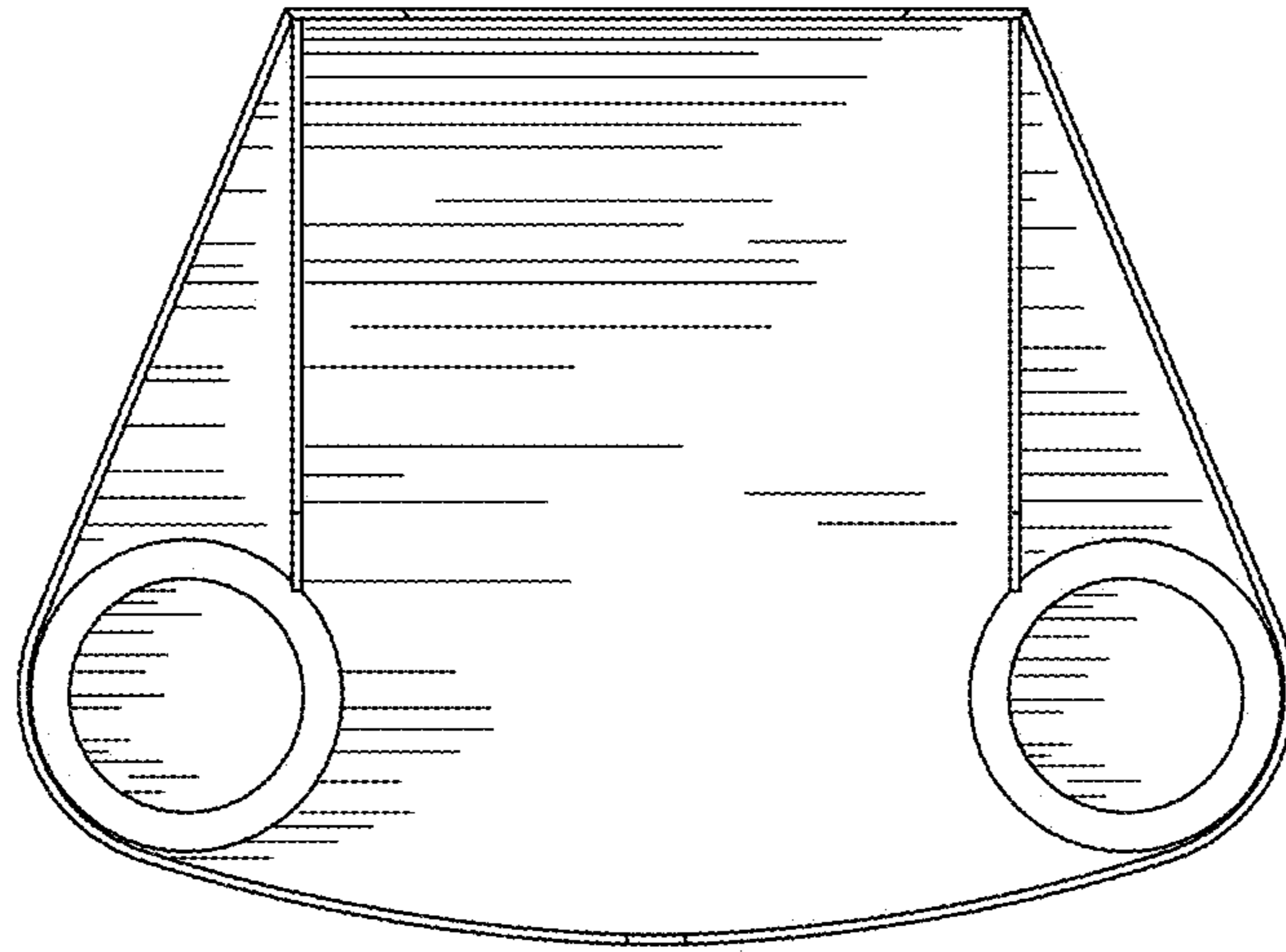


FIG. 6

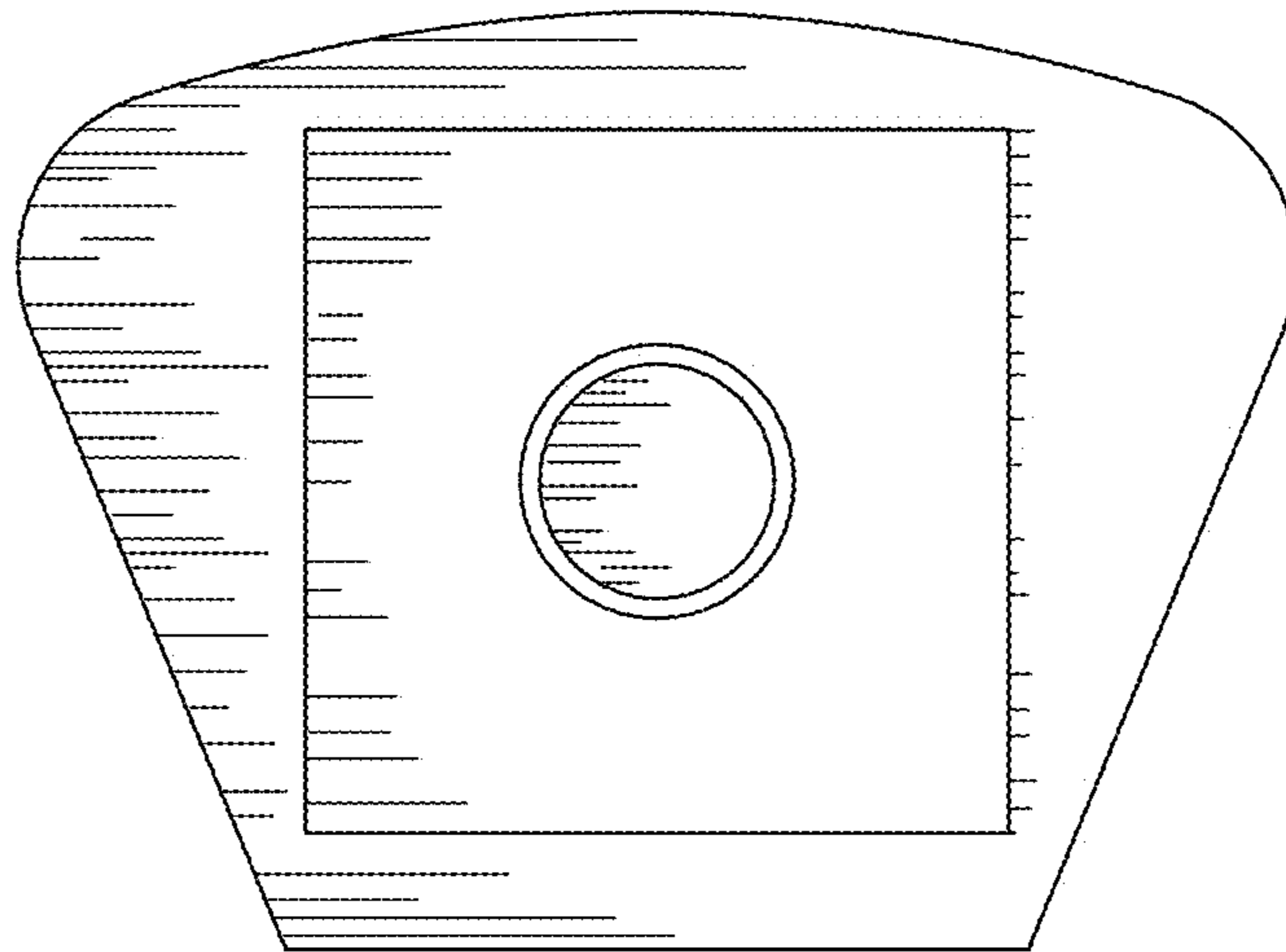


FIG. 7