



US00D986371S

(12) **United States Design Patent**
Guan et al.

(10) **Patent No.:** **US D986,371 S**

(45) **Date of Patent:** **** May 16, 2023**

(54) **ANIMAL REPELLER**

(71) Applicants: **Yuanhui Guan**, Hainan (CN); **Xinping Peng**, Hunan (CN); **Hailong Zhang**, Hunan (CN)

(72) Inventors: **Yuanhui Guan**, Hainan (CN); **Xinping Peng**, Hunan (CN); **Hailong Zhang**, Hunan (CN)

(**) Term: **15 Years**

(21) Appl. No.: **29/796,549**

(22) Filed: **Jun. 24, 2021**

(51) **LOC (14) Cl.** **22-06**

(52) **U.S. Cl.**
USPC **D22/120**

(58) **Field of Classification Search**
USPC D22/119–120, 122; D26/8, 26, 138; D13/102
CPC A01M 1/023; A01M 1/04; A01M 1/08; A01M 1/14; A01M 1/106; A01M 1/2016; A01M 29/34; A01M 1/145; A01M 2200/01; A01M 2200/011; A01M 2200/012; A01M 29/00; A01M 29/12; A01M 29/16; A01M 29/18
See application file for complete search history.

(56) **References Cited**

U.S. PATENT DOCUMENTS

5,379,545 A * 1/1995 Gall A01M 29/12
239/57
D639,894 S * 6/2011 Feuerstein D22/120

D839,987 S * 2/2019 Dai D22/120
D852,313 S * 6/2019 Luo D22/120
D861,120 S * 9/2019 Luo D22/120
D934,375 S * 10/2021 Dai D22/120
D936,173 S * 11/2021 Wu D22/120
D963,784 S * 9/2022 Wu D22/120

OTHER PUBLICATIONS

https://www.amazon.com/dp/B097HPY6SM/ref=emc_b_5_i?th=1
(Year: 2021).*

* cited by examiner

Primary Examiner — Catherine R Oliver-Garcia

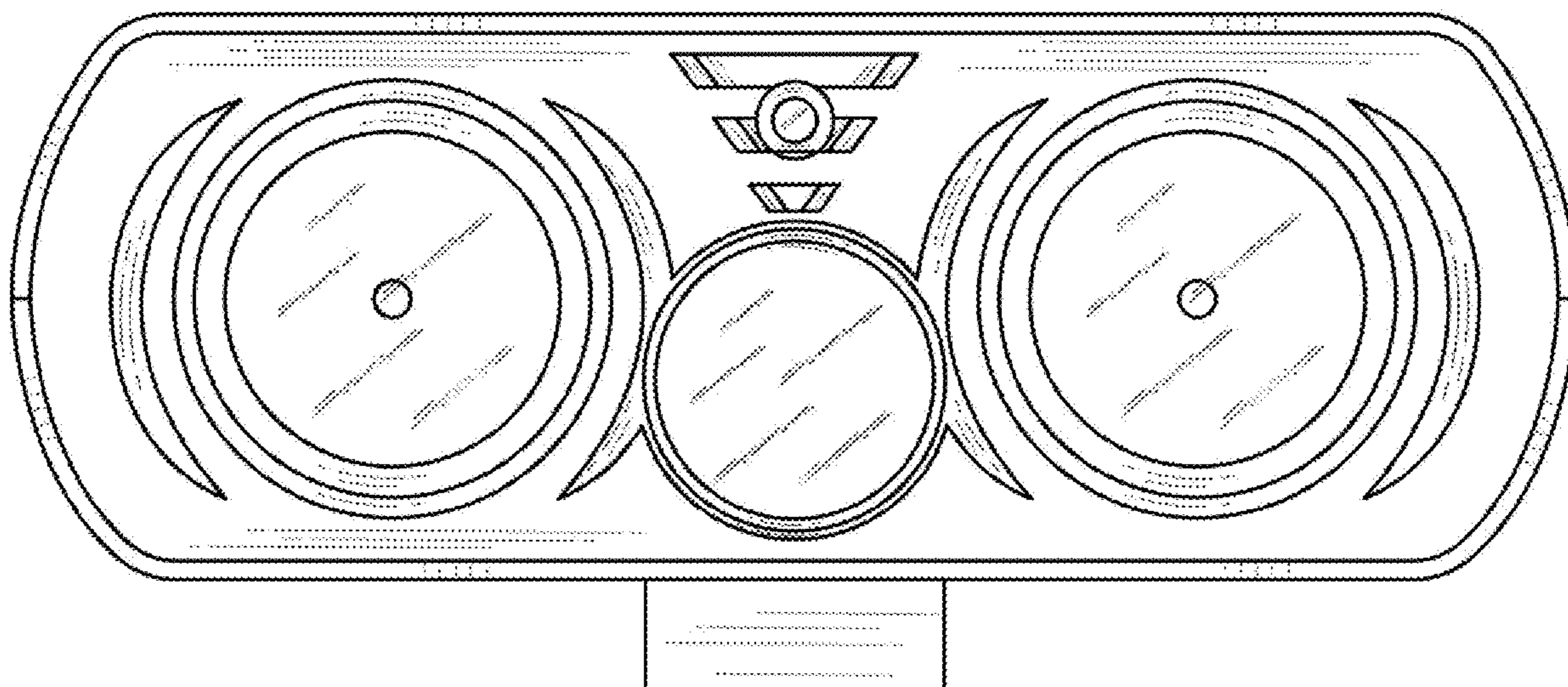
(57) **CLAIM**

The ornamental design for an animal repeller, as shown and described.

DESCRIPTION

FIG. 1 is a front and top perspective view of an animal repeller showing our new design;
FIG. 2 is a rear and bottom perspective view thereof;
FIG. 3 is a front elevation view thereof;
FIG. 4 is a rear elevation view thereof;
FIG. 5 is a left side elevation view thereof;
FIG. 6 is a right side elevation view thereof;
FIG. 7 is a top plan view thereof; and,
FIG. 8 is a bottom plan view thereof.

1 Claim, 8 Drawing Sheets



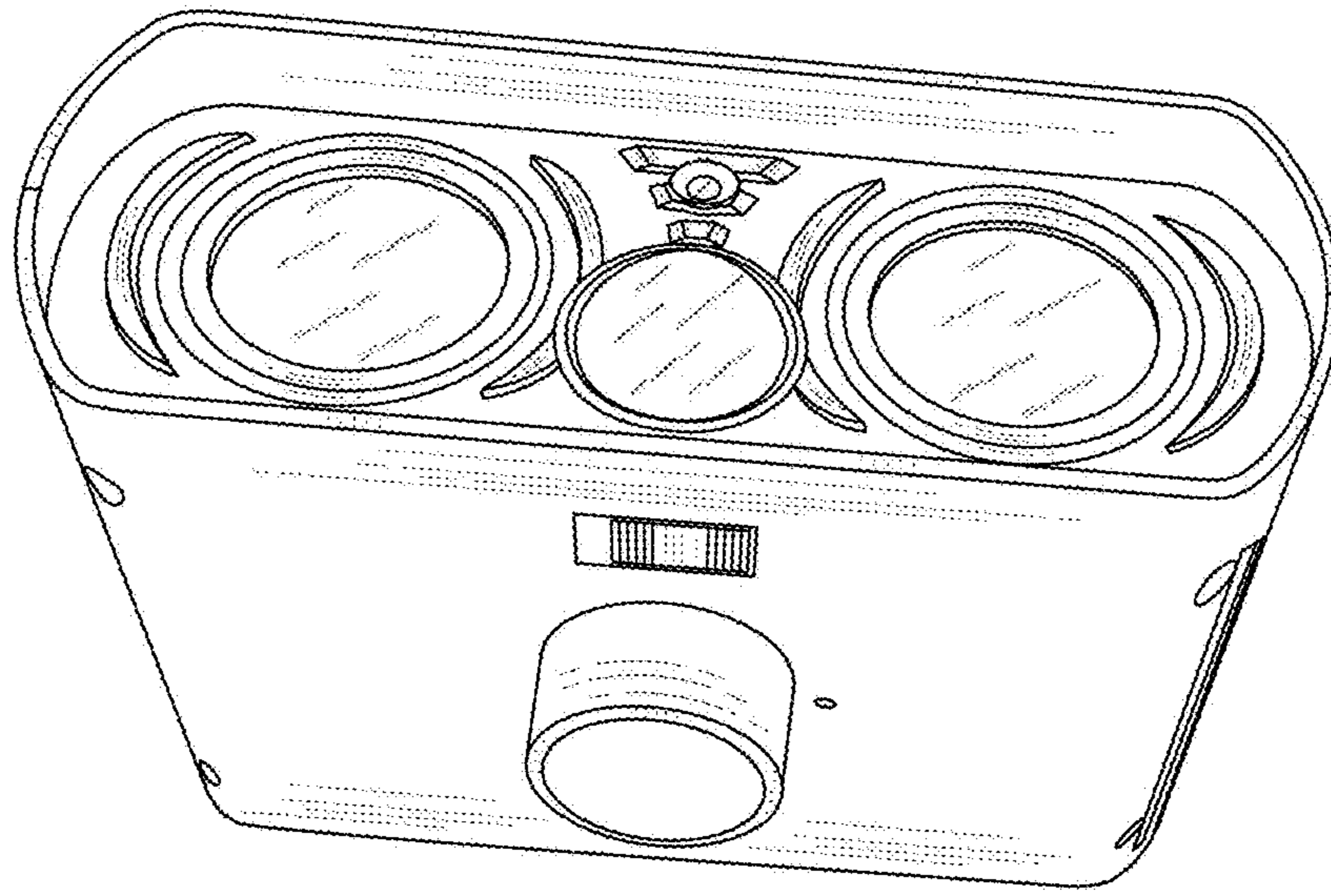


FIG.1

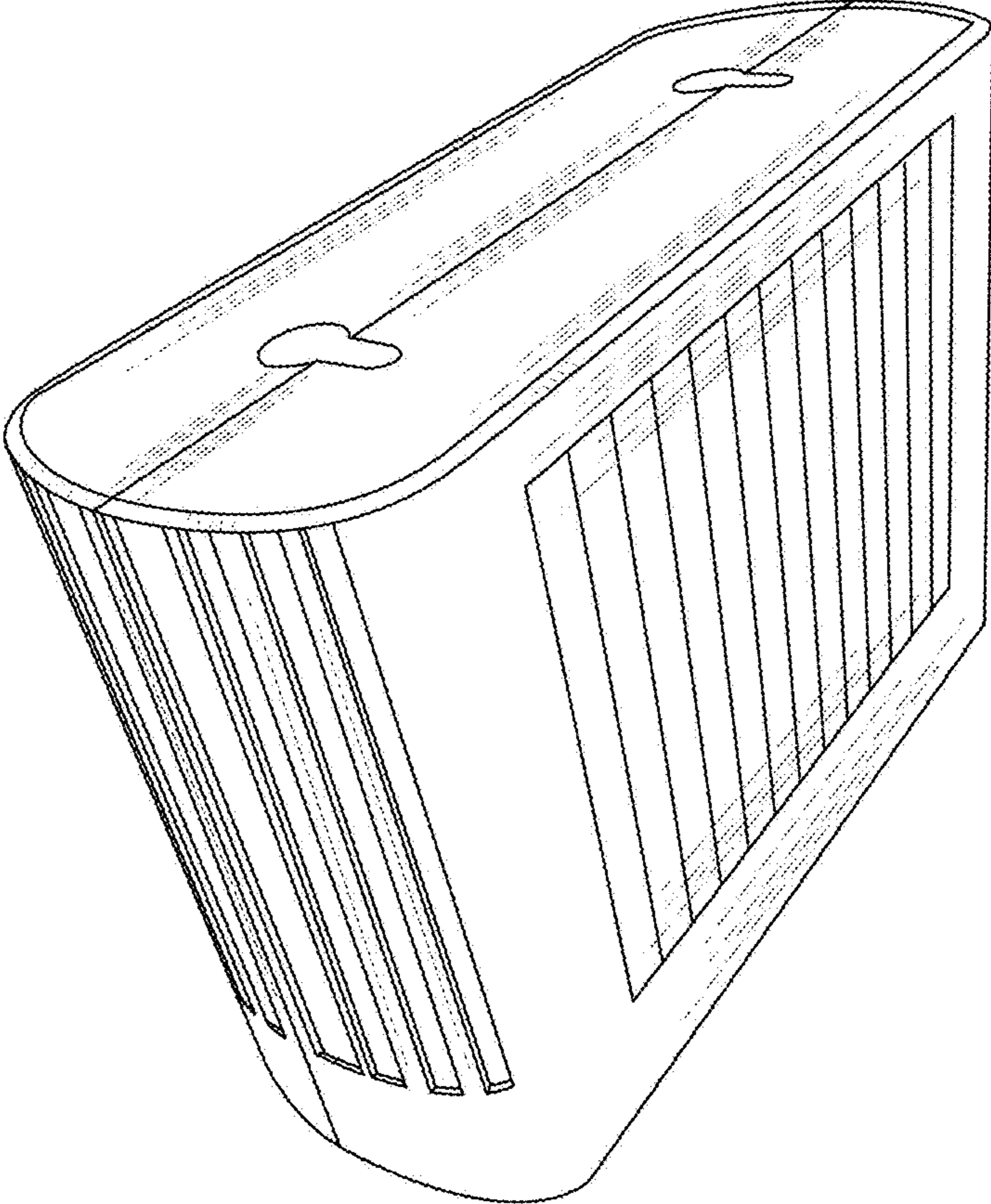


FIG.2

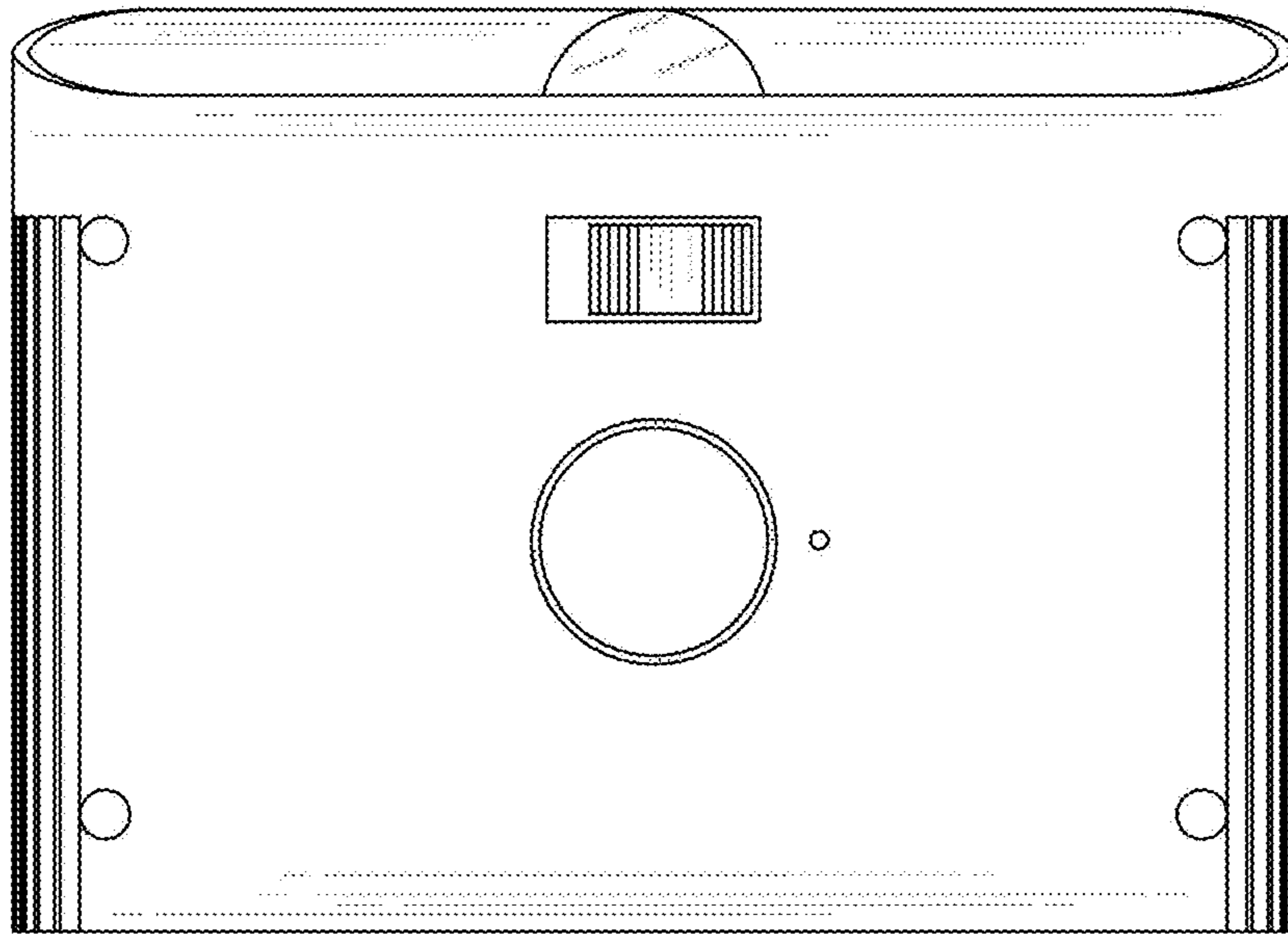


FIG.3

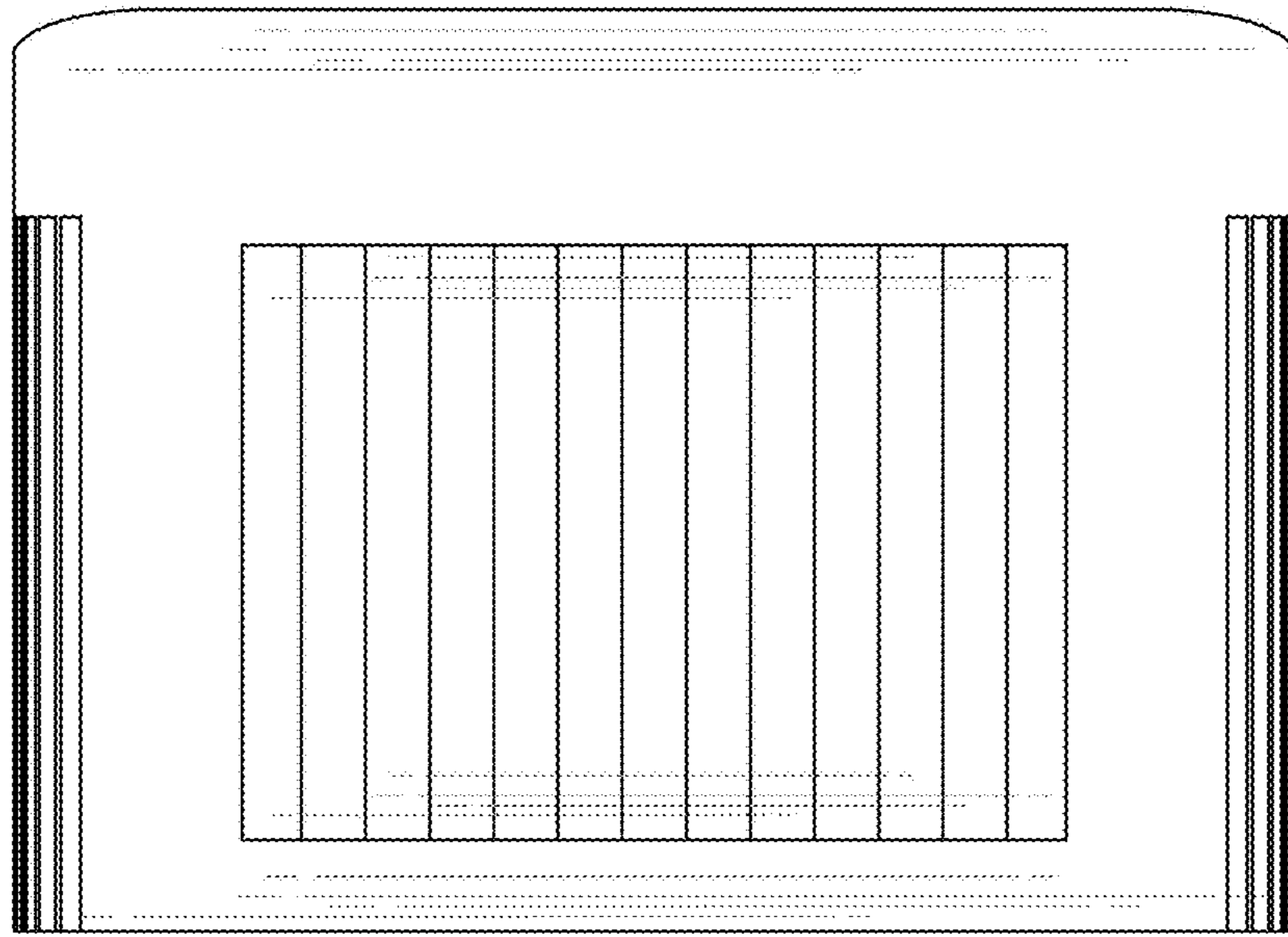


FIG.4

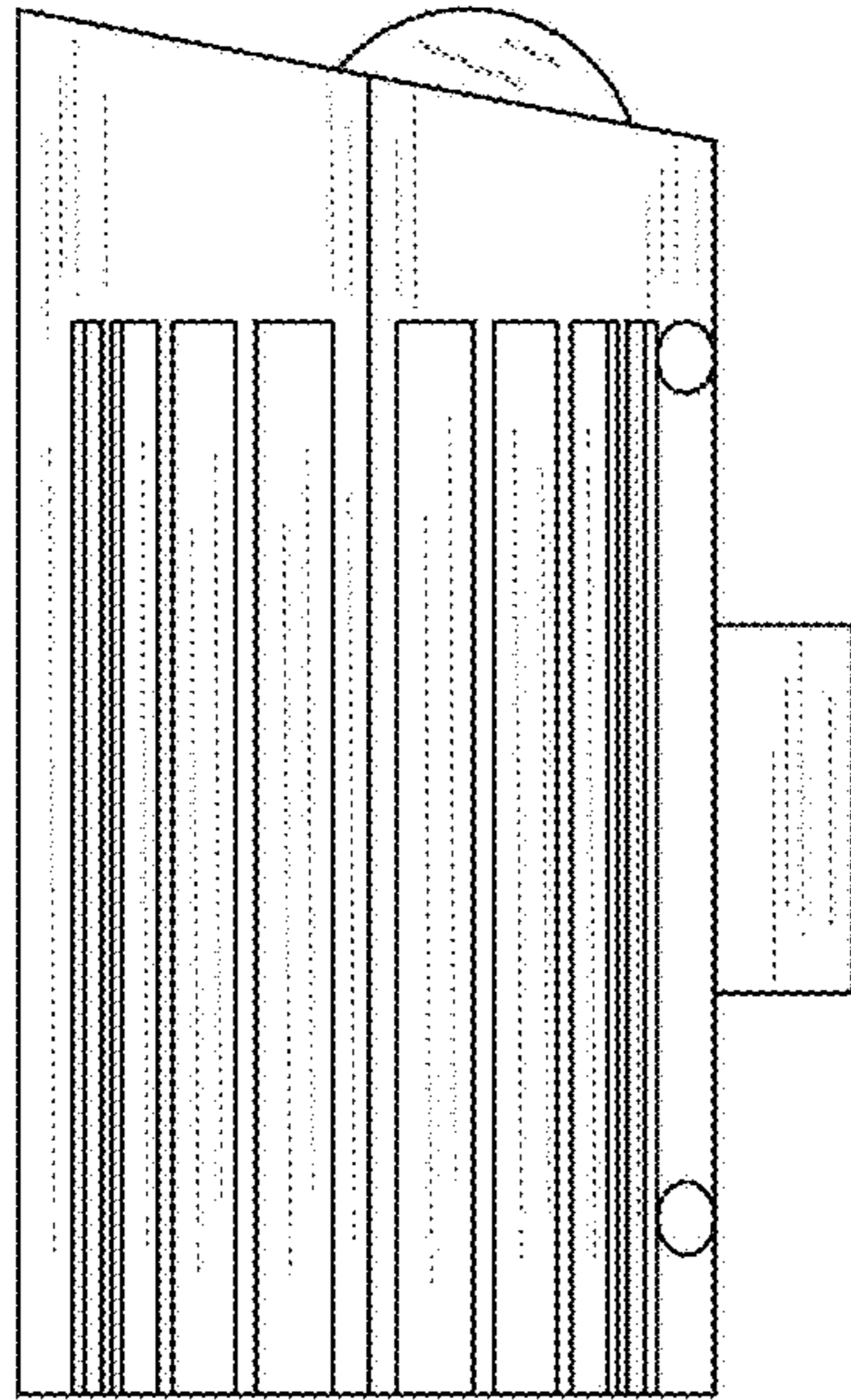


FIG.5

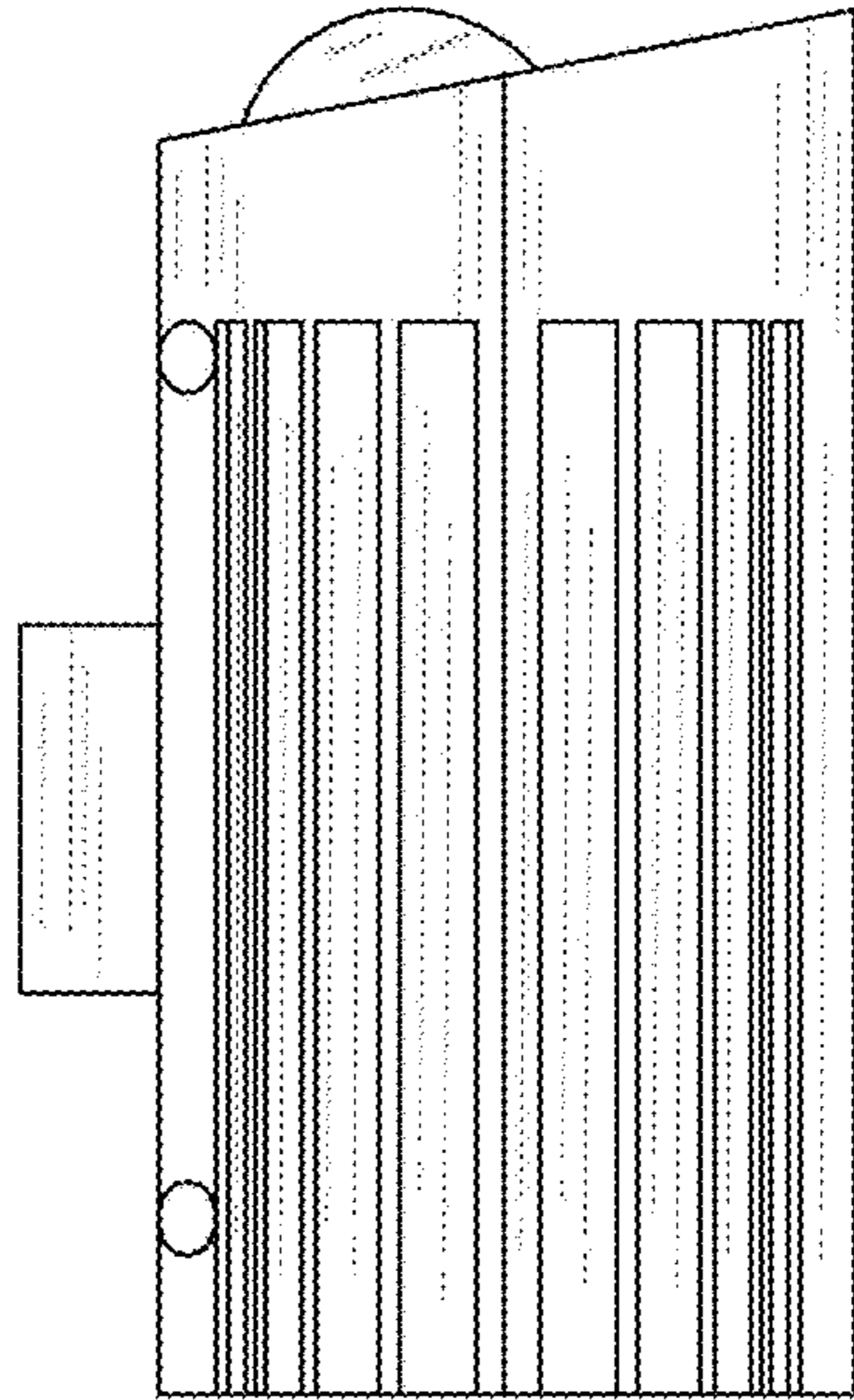


FIG.6

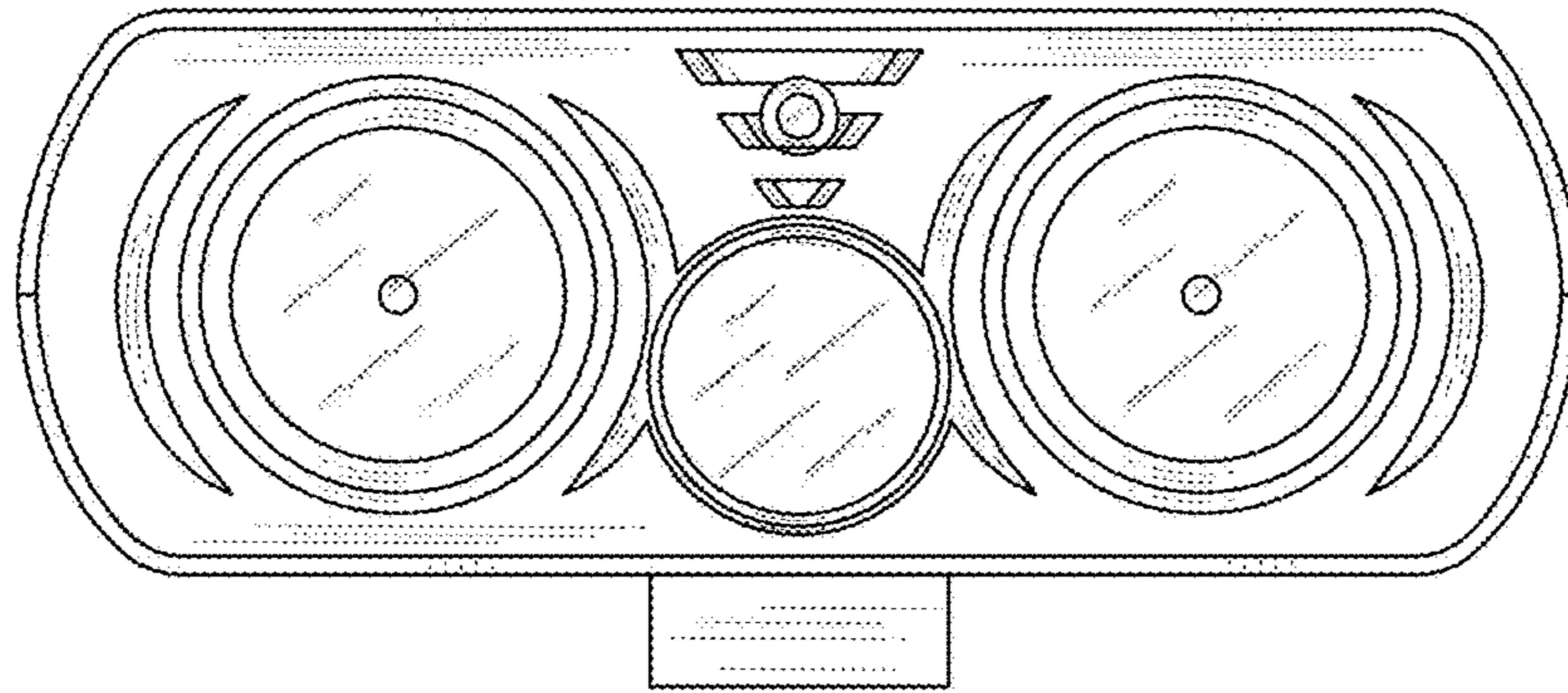


FIG. 7

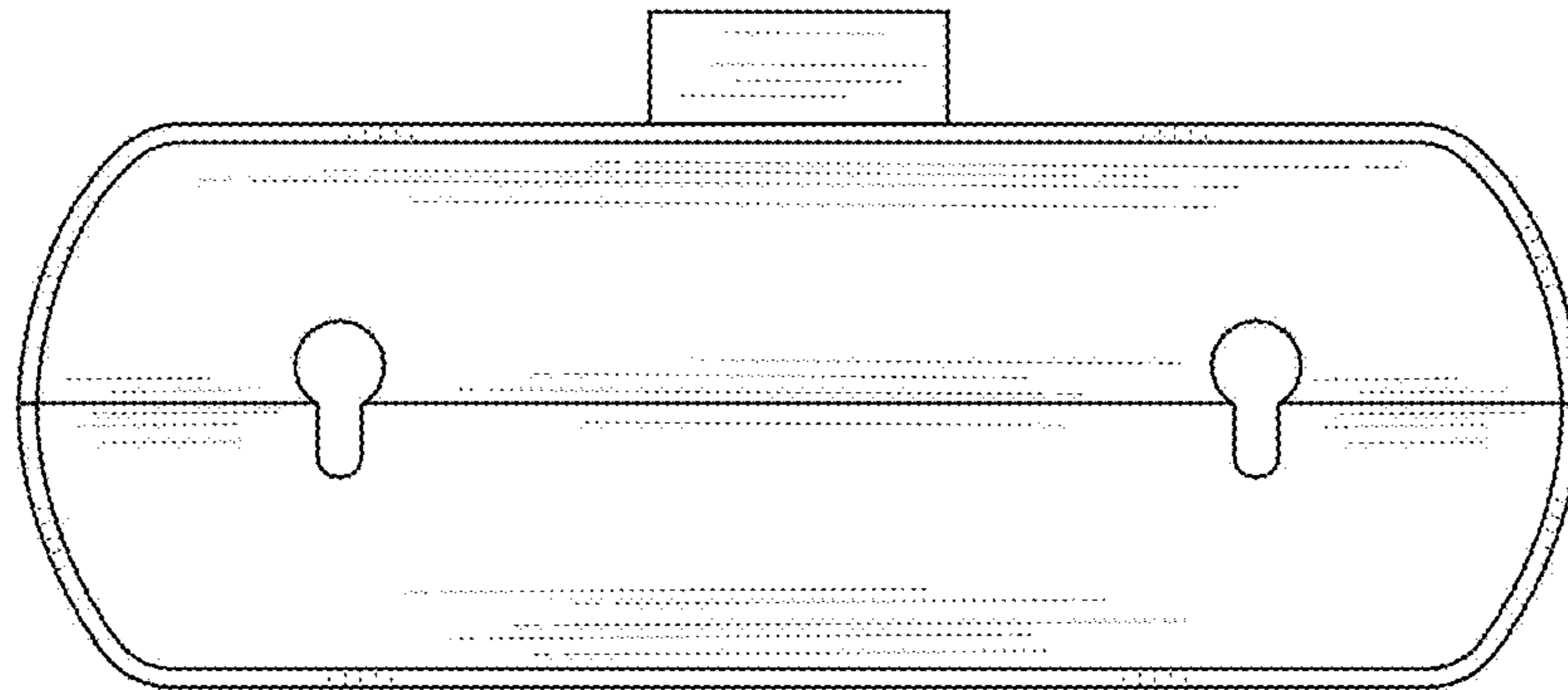


FIG. 8